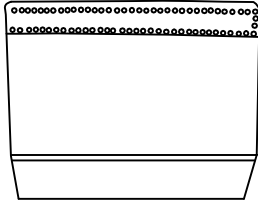
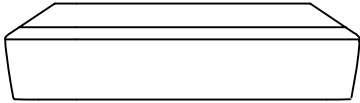
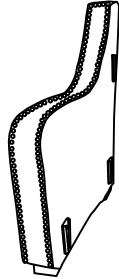



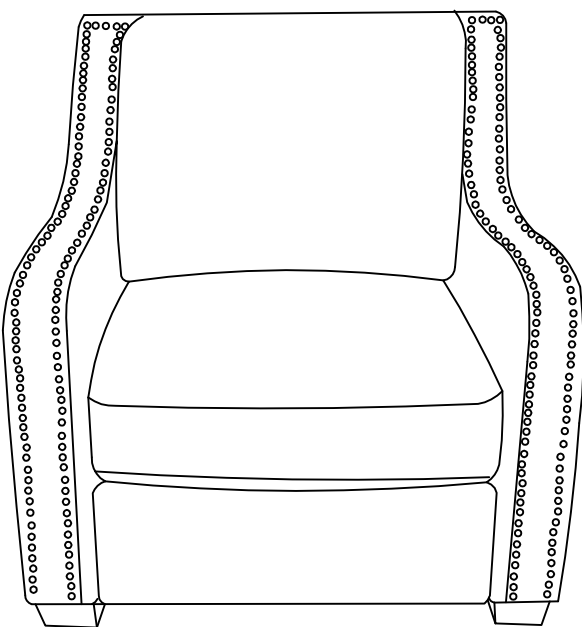


ASSEMBLY INSTRUCTION

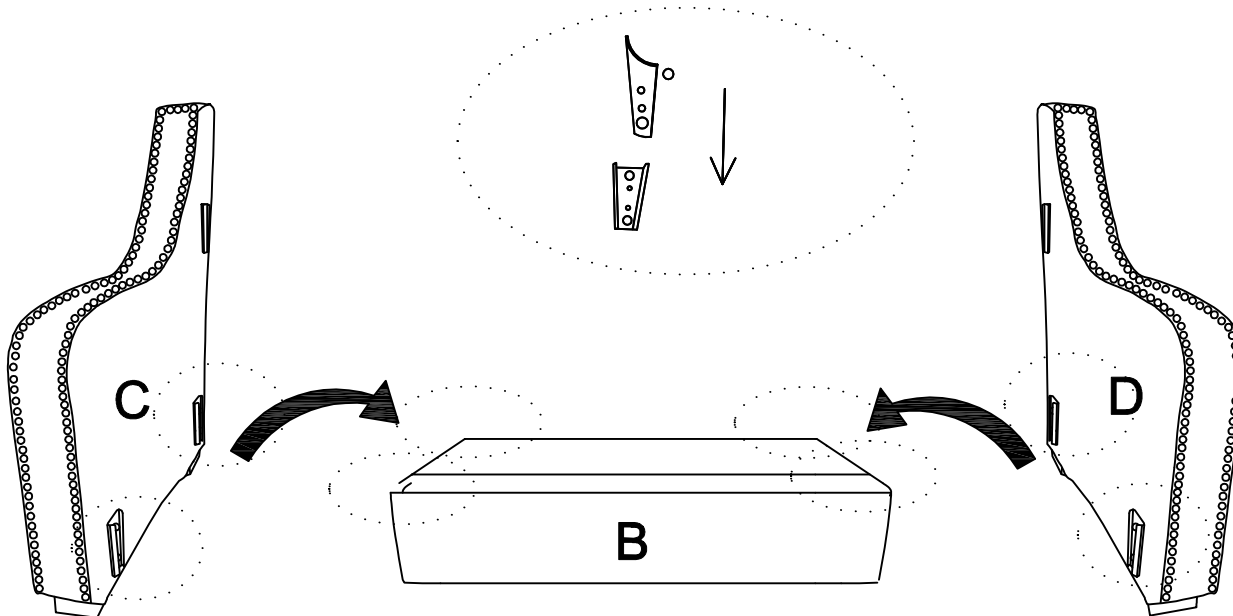
NAILHEAD CHAIR

A BACK FRAME  1pc	B SEAT FRAME  1pc	C LEFT PANEL  1pc
D RIGHT PANEL  1pc	E SEAT CUSHION (Underneath the seat frame)  1pc	F BACK CUSHION  1pc

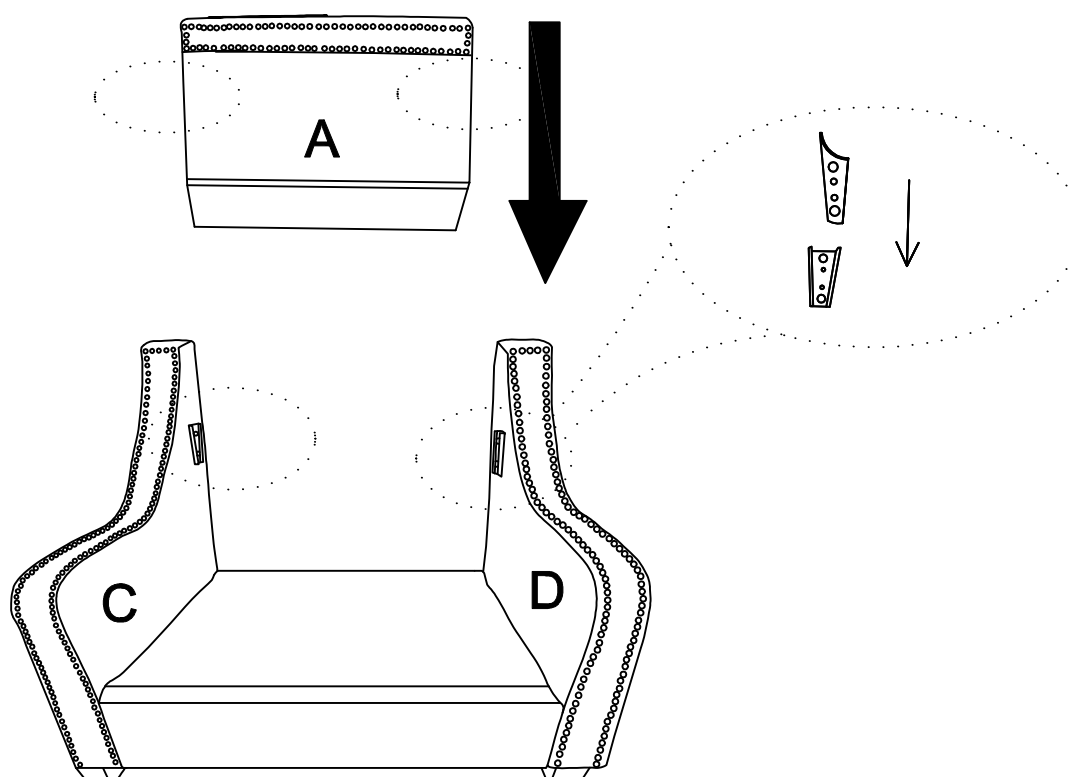


This page lists all the contents included in the box. As you unpack and prepare for assembly, place the contents on a carpeted or padded area to protect them from damage.

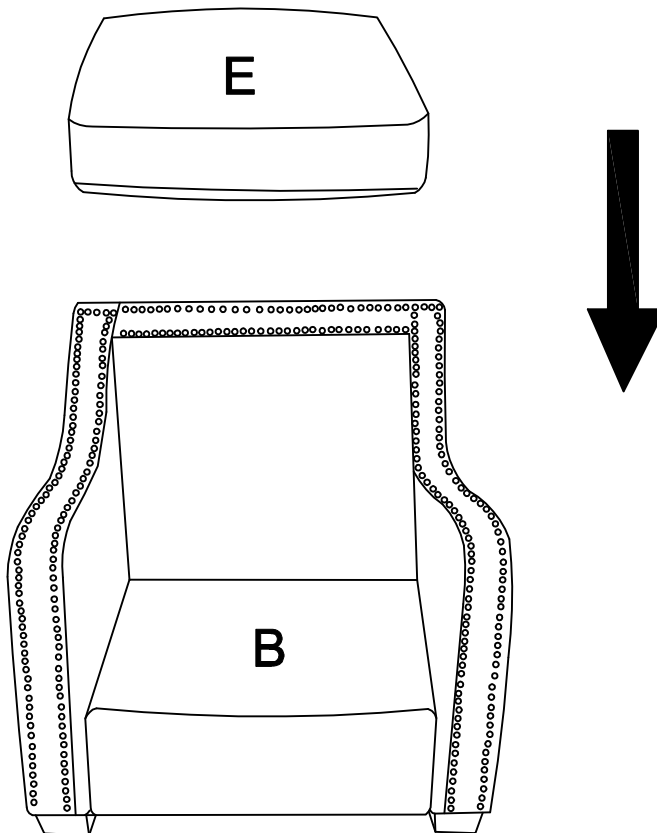
1 Take out Seat Cushion (E) from Seat Frame (B) ,
Hook on the Left Panel(C) & Right Panel(D) to the Seat
Frame(B) properly .



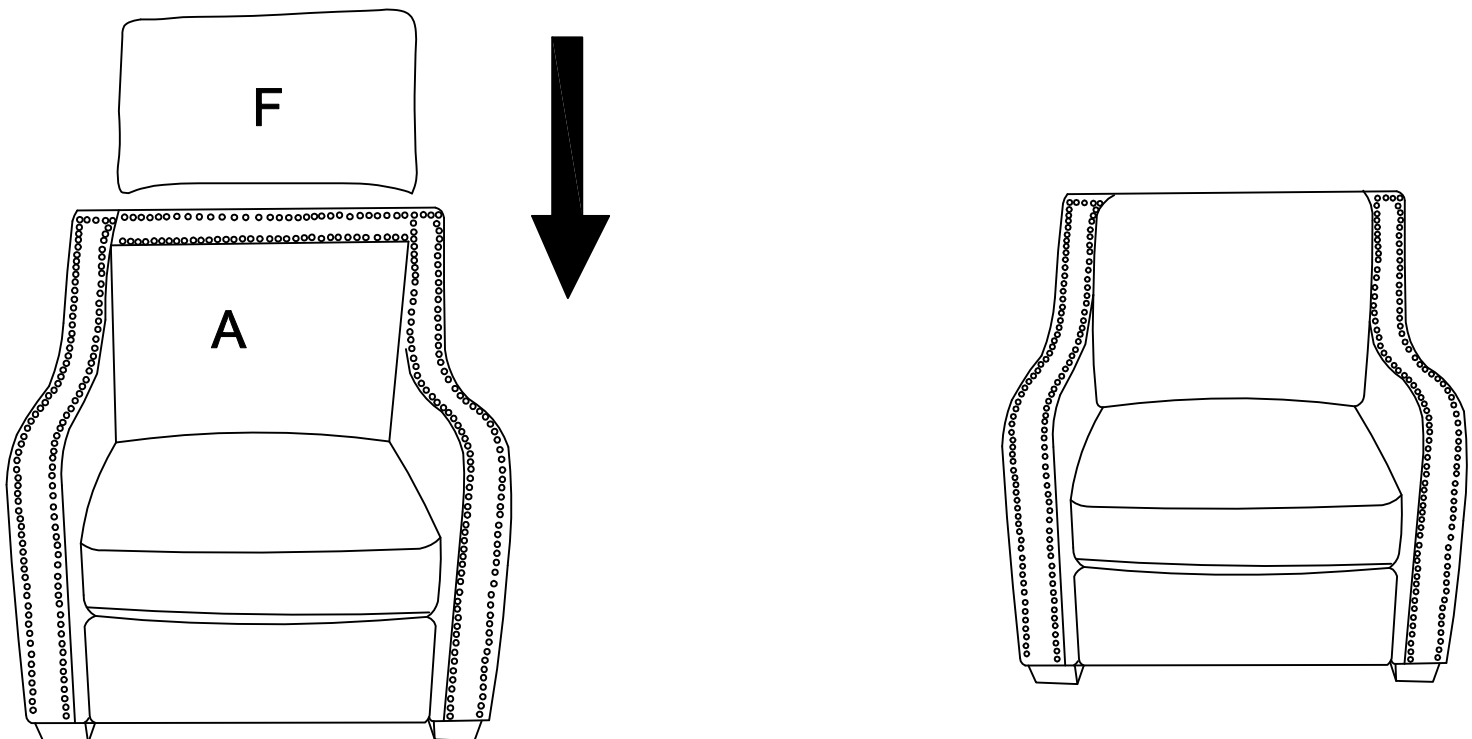
2 Hook on the Back Frame(A) to the Left Panel(C) & Right
Panel(D) properly .



3 Put the Seat cushion(E) on Seat Frame(B) .



4 Put the Back Cushion(F) on Back Frame(A), the assembly is completed .



Cleaning & Care

Treat surface with care, Surface is reslstant to scratches but is not scratch reslstant, Clean surfaces with a dry or damp soft cloth. Do not use abraslvecleaners. Hardware may loosen over time. Periodlclally check that all connectlons are tiglht .