

# INSTRUCTION MANUAL

---

Wooden Garden Potting Bench Table

## NOTICE

### **Please retain these instructions for future reference.**

- Please do not exceed the weight limitations of this item.
- Do not stand on or use any part of this item as a step ladder.
- Firmly secure all bolts, screws and knobs before use.
- Reconfirm that all bolts, screws, and knobs are secure every 90 days.
- Fasten screws loosely during initial assembly. Do not firmly tighten the screws until the item is completely assembled.
- Do not use or store this item in the proximity of open flame or flammable/combustible chemicals.
- Be aware that some parts are heavy and have sharp edges.
- If any parts are missing, broken, damaged, or worn, stop using this product until repairs are made and/or factory replacement parts are installed.
- Do not use this item in a way inconsistent with the manufacturer's instructions as this could void the product warranty.
- Check all parts are present before you start to assemble the product. Place small parts on a tray or similar to ensure they are not lost. The manufacturing process can very occasionally result in sharp edges/waste material so please take care when assembling this product.
- If any parts are missing do not use the product until the replacement parts are fitted.
- Ensure your product is sited on level ground. Failure to do this may put additional stress on connections and joints and in time could cause them to fail.
- Ensure your product is located on a soft impact surface like grass. Never locate your product on hard surfaces like concrete.
- Due to the natural characteristics of timber, it is vital to check your playframe regularly for splintering, lifting of surface layers of wood or exposure of rough wood. Affected areas must be rubbed down using coarse sandpaper to restore a smooth, safe surface.
- In high winds, moved to a sheltered position and/or securely staked down.

## About Our Wood

Our products uses only premium lumber, ensuring the safest product for your use. Although we take great care in selecting the best quality lumber available, wood is still a product of nature and susceptible to weathering which can change the appearance of your set.








What causes weathering? Does it affect the strength of my products?

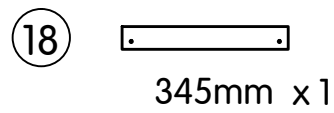
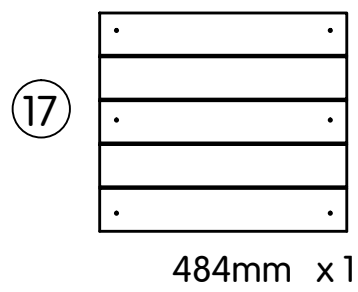
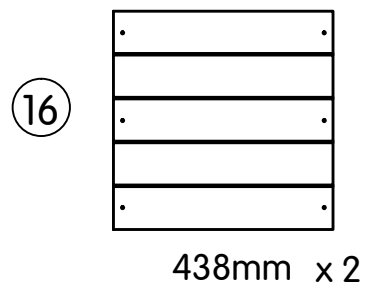
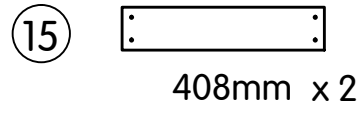
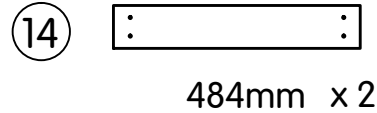
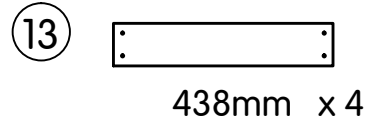
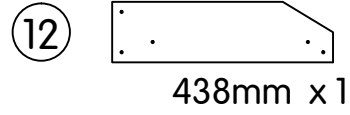
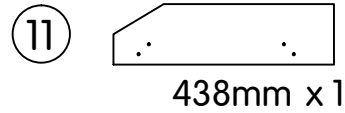
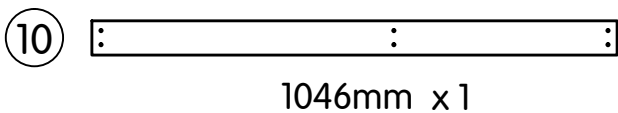
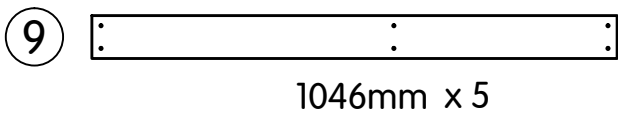
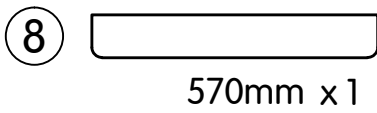
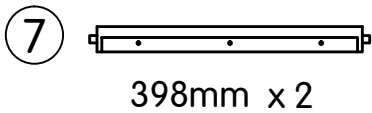
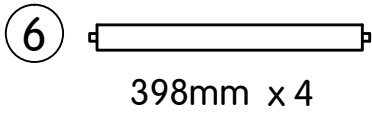
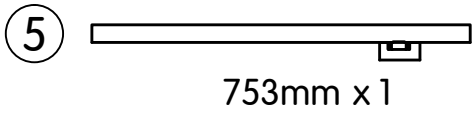
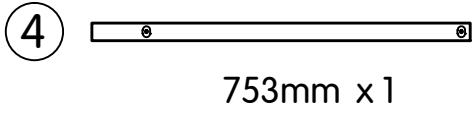
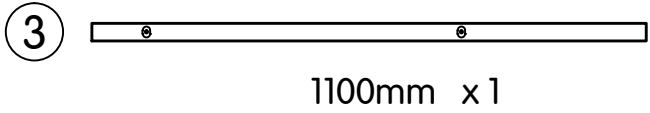
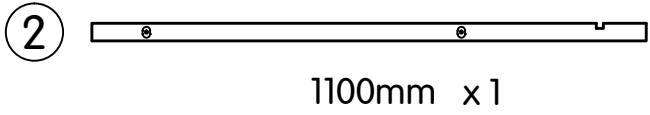
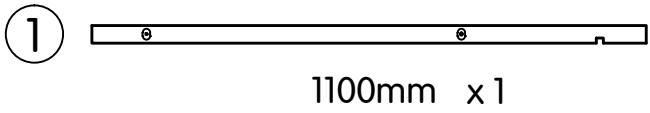
One of the main reasons for weathering is the effects of water (moisture); the moisture content of the wood at the surface is different than the interior of the wood. As the climate changes, moisture moves in or out of the wood, causing tension which can result in checking and or warping. You can expect the following due to weathering. These changes will not affect the strength of the product:

1. Checking is surface cracks in the wood along the grain.
2. Warping results from any distortion (twisting, cupping) from the original plane of the board and often happens from rapid wetting and drying of the wood.
3. Fading happens as a natural change in the wood color as it is exposed to sun-light and will turn a grey over time.

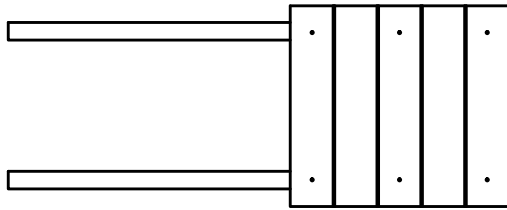
How can I reduce the amount of weathering to my products ?

Sunlight will break down the wood or coating, applying a water repellent or stain on a yearly basis is important maintenance. (see your local stain and paint supplier for a recommended product)

TOOLS RECOMMENDED						
						
PHILLIPS SCREWDRIVER	POWERDRILL	TAPE MEASURE	150 LBS TABLETOP CAPACITY	150 LBS SHELF CAPACITY	2 PERSON ASSEMBLY	BUILD TIME 45Min

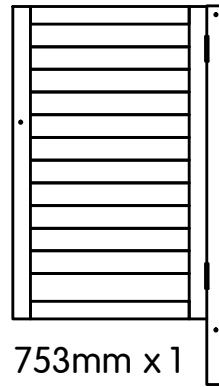


19



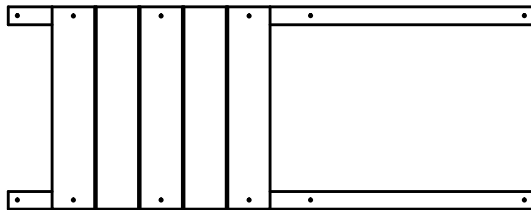
999mm x 1

21



753mm x 1

20



1046mm x 1

A



wood screw 3x30mm x61

F



x 1

B



wood screw 3.5x30mm x36

G



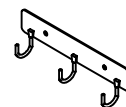
wood screw 3x12mm x2

C



wood screw 3.5x45mm x2

H

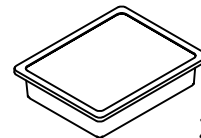


hook x 1

D



wood screw 3.5x60mm x18



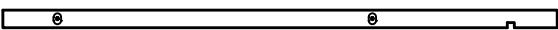
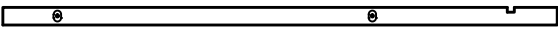

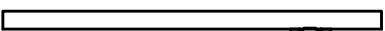
x 1

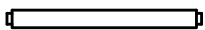

E



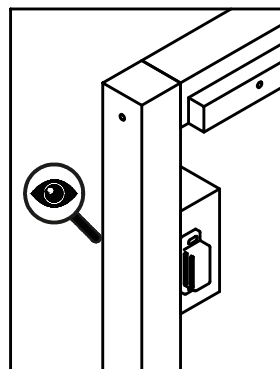
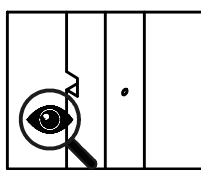
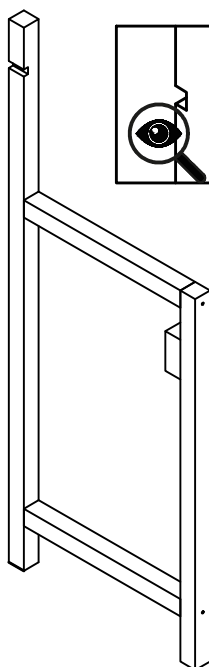
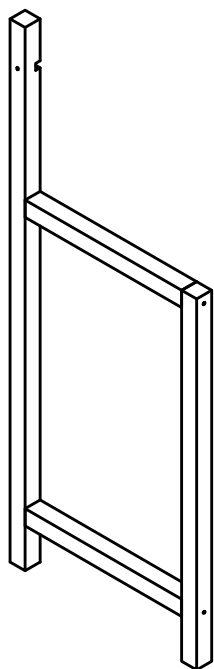
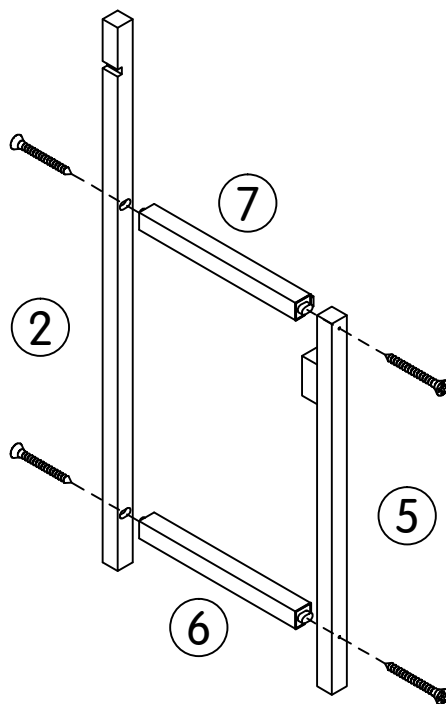
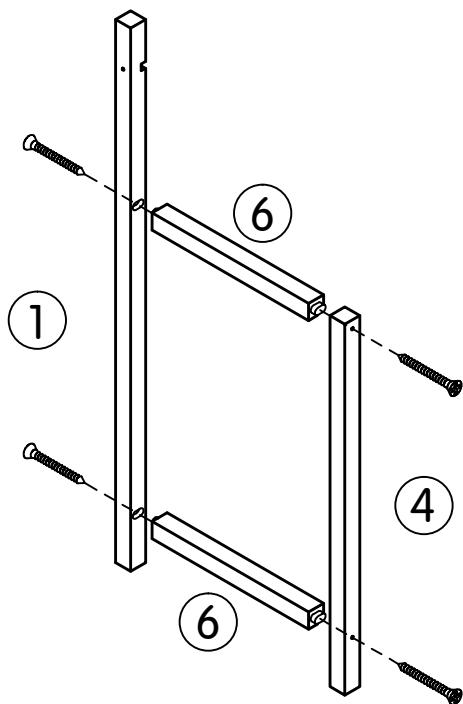
wood screw 4x35mm x1

1

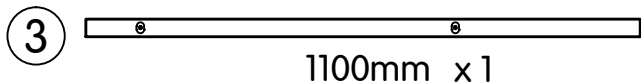
- ①  1100mm x 1
- ②  1100mm x 1
- ④  753mm x 1
- ⑤  753mm x 1

- ⑥  386mm x 3
- ⑦  386mm x 1

Ⓓ  wood screw 3.5x60mm x 8

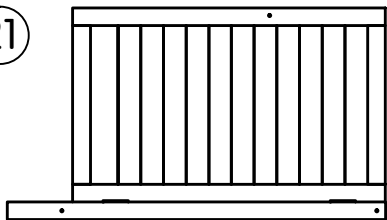


2

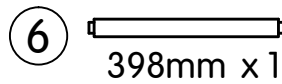


1100mm x 1

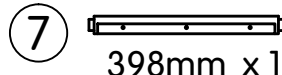
21



753mm x 1



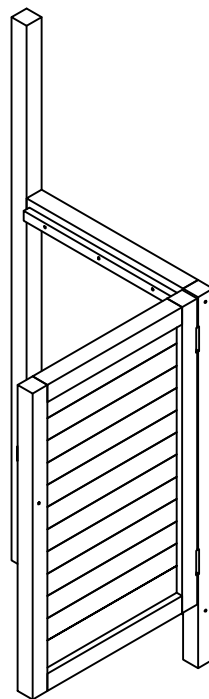
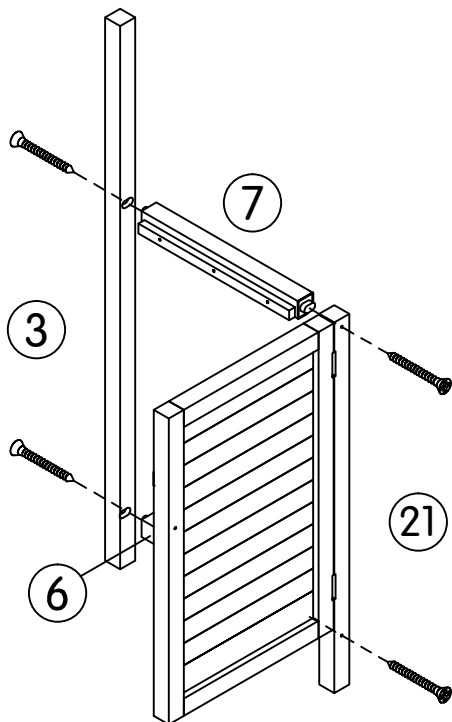
398mm x 1



398mm x 1



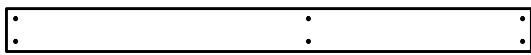
wood screw 3.5x60mm x 4



7

3

9

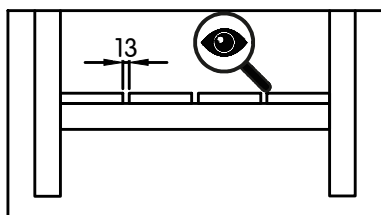
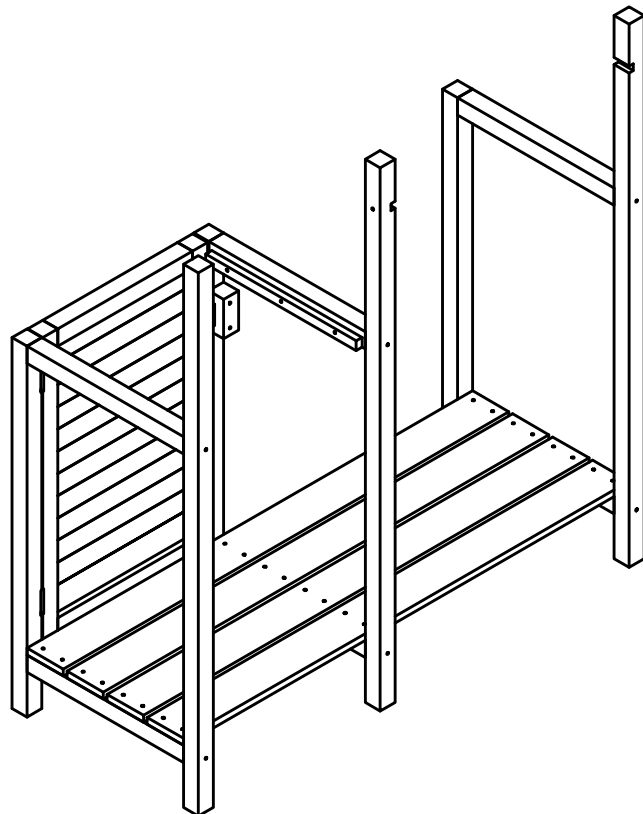
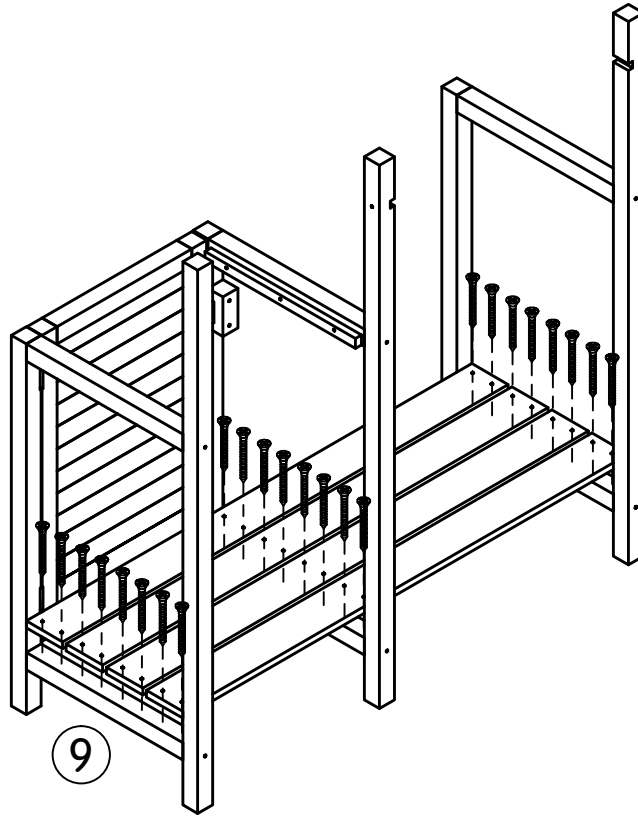


1046mm x 4

B

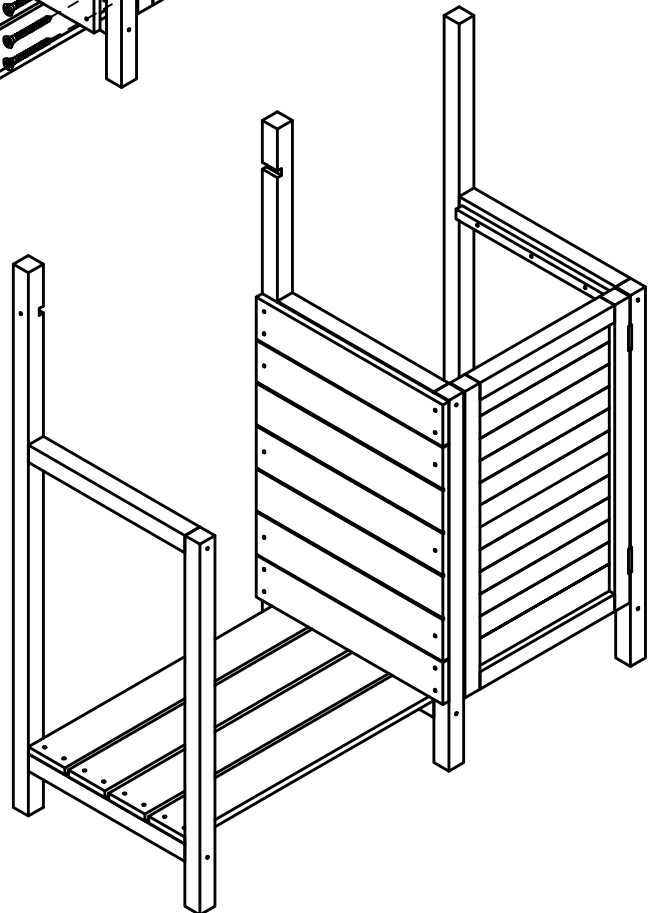
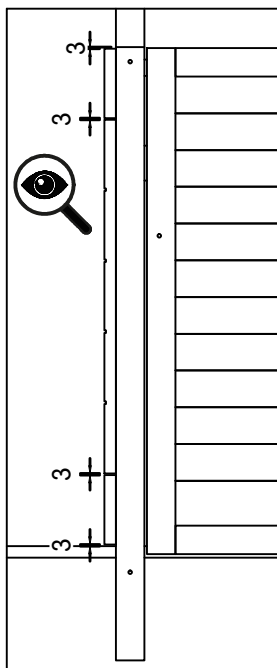
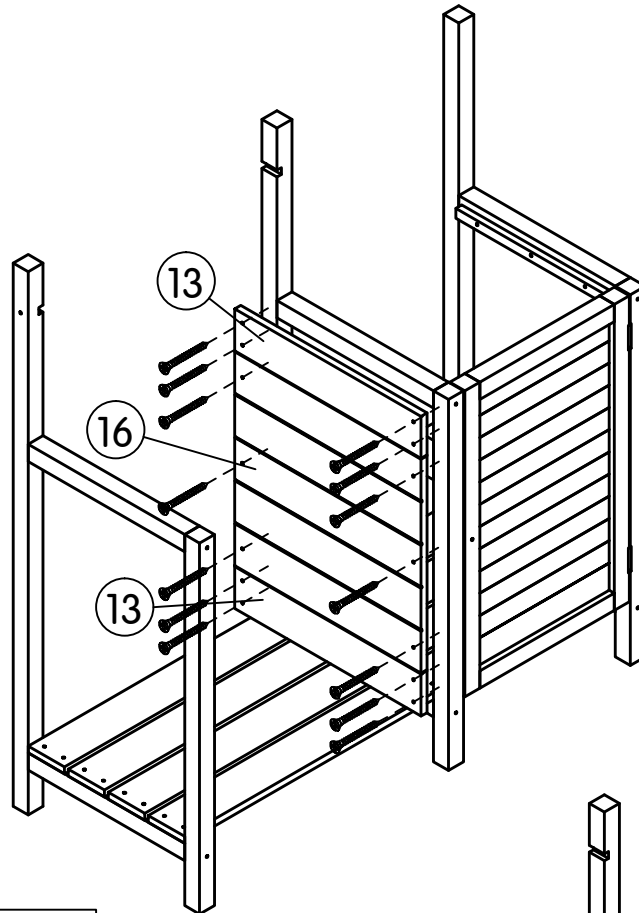
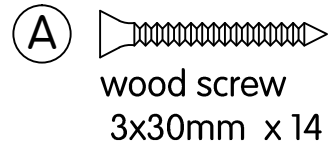
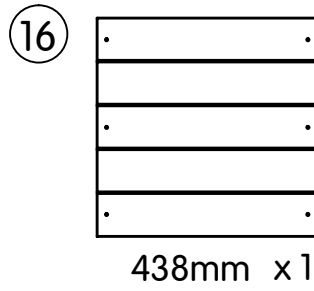
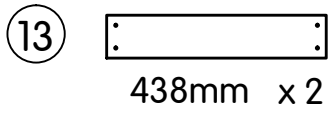


wood screw  
3.5x30mm x 24



8

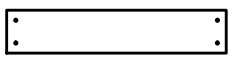
4



9

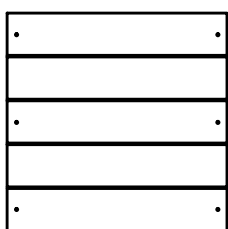
5

13



438mm x 2

16

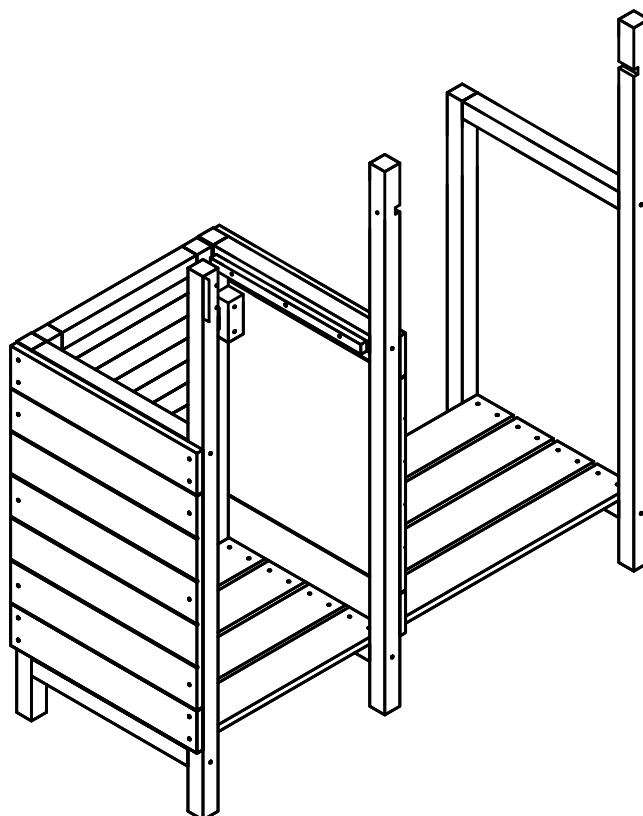
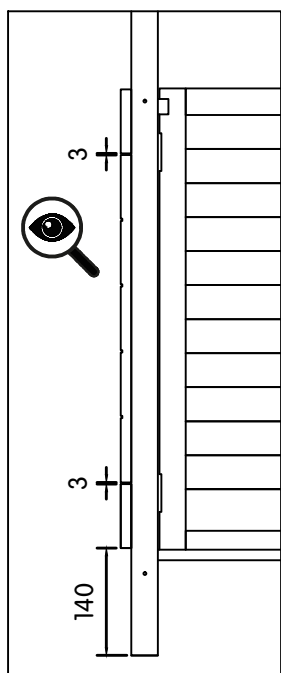
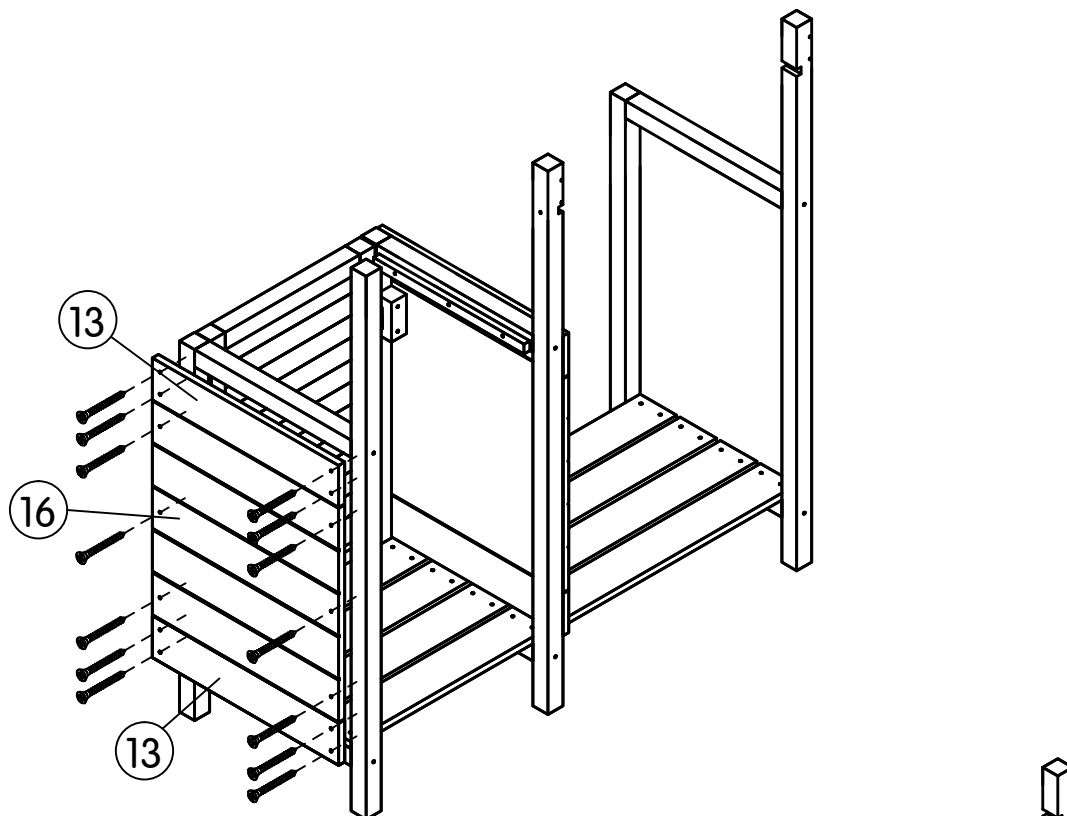


438mm x 1

A



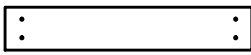
wood screw  
3x30mm x 14



10

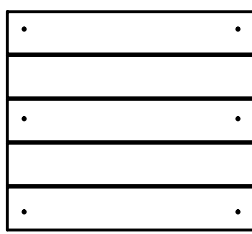
6

14



484mm x 2

17

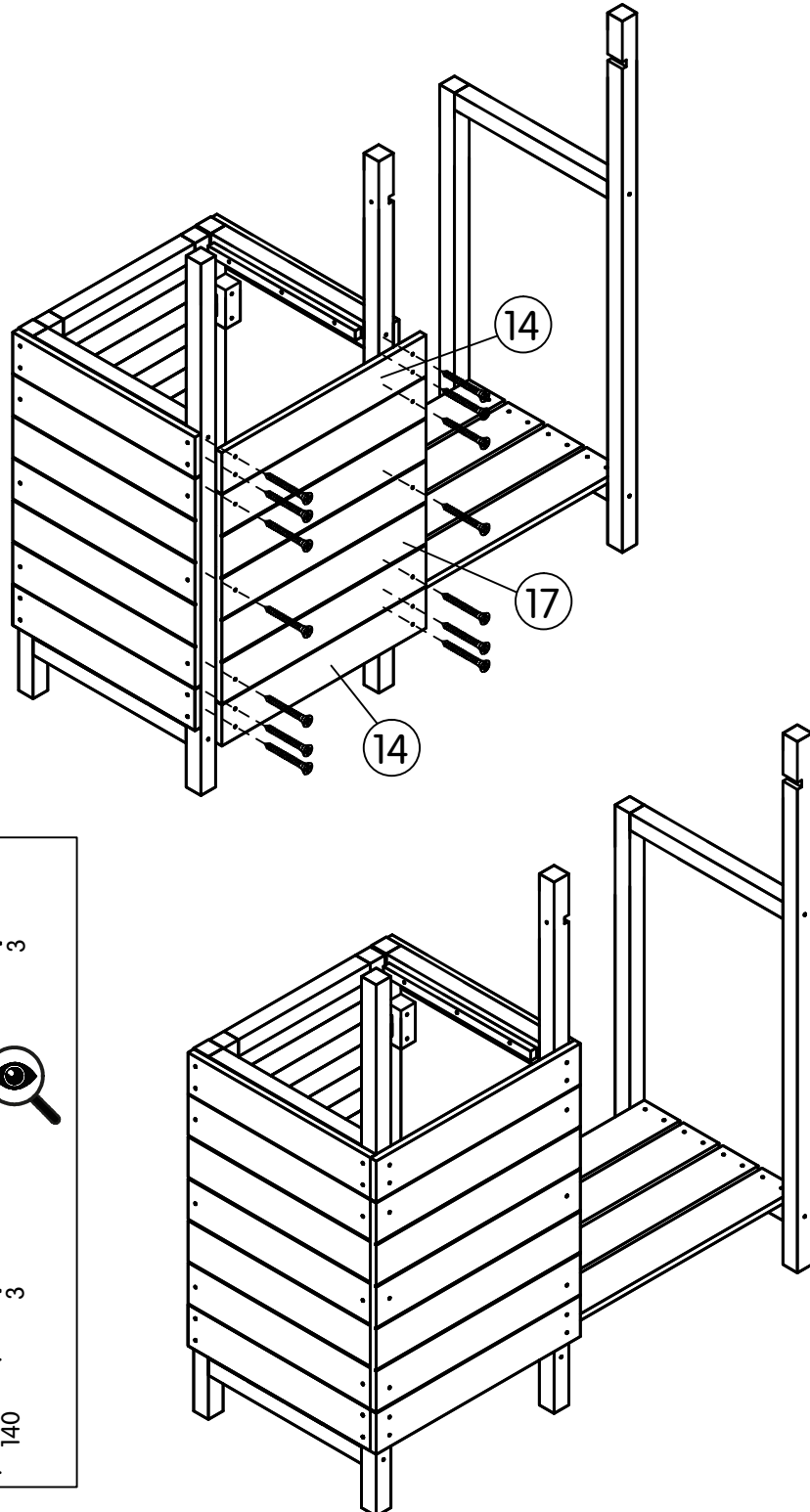


484mm x 1

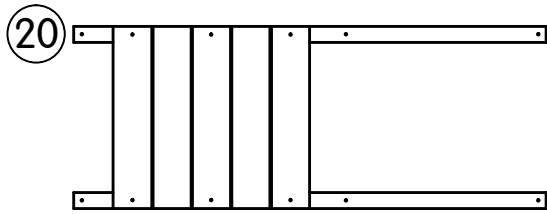
A



wood screw  
3x30mm x 14



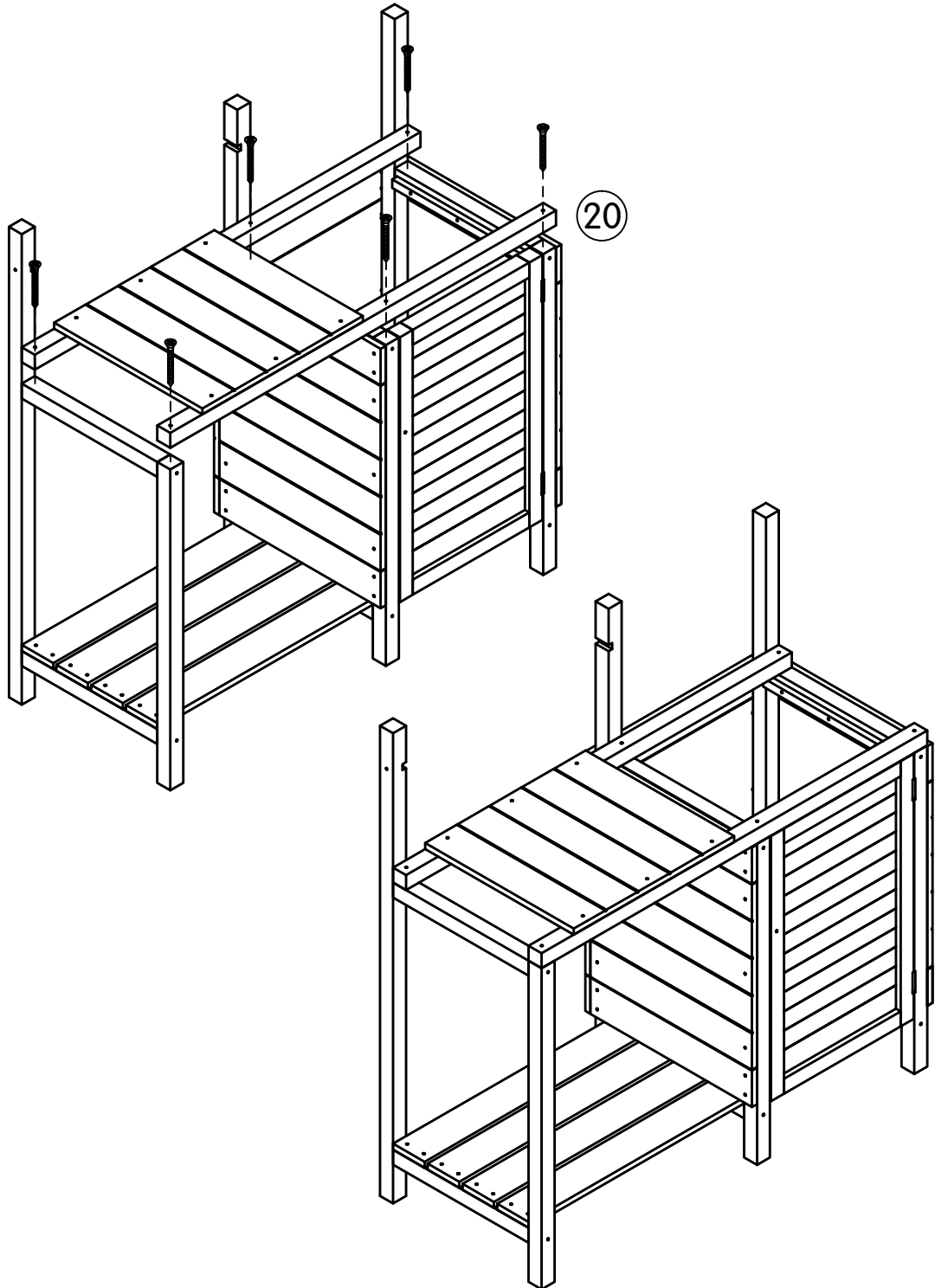
7



1046mm x 1

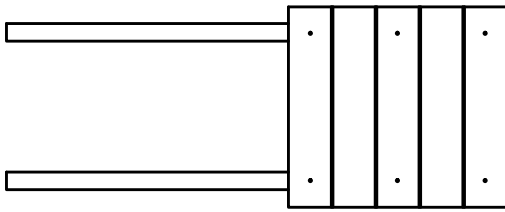


wood screw 3.5x60mm x 6

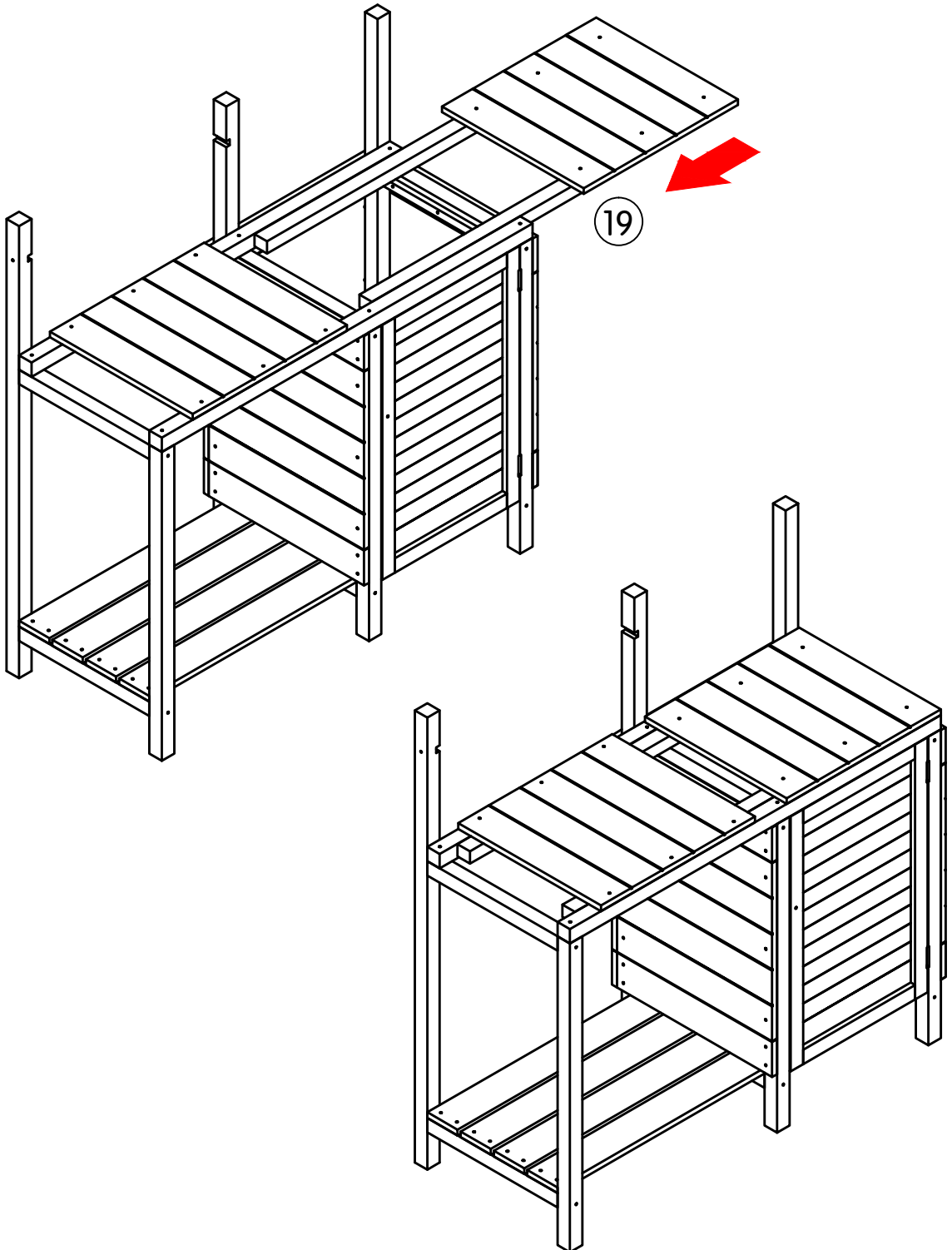


8

19



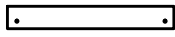
999mm x 1



13

9

18

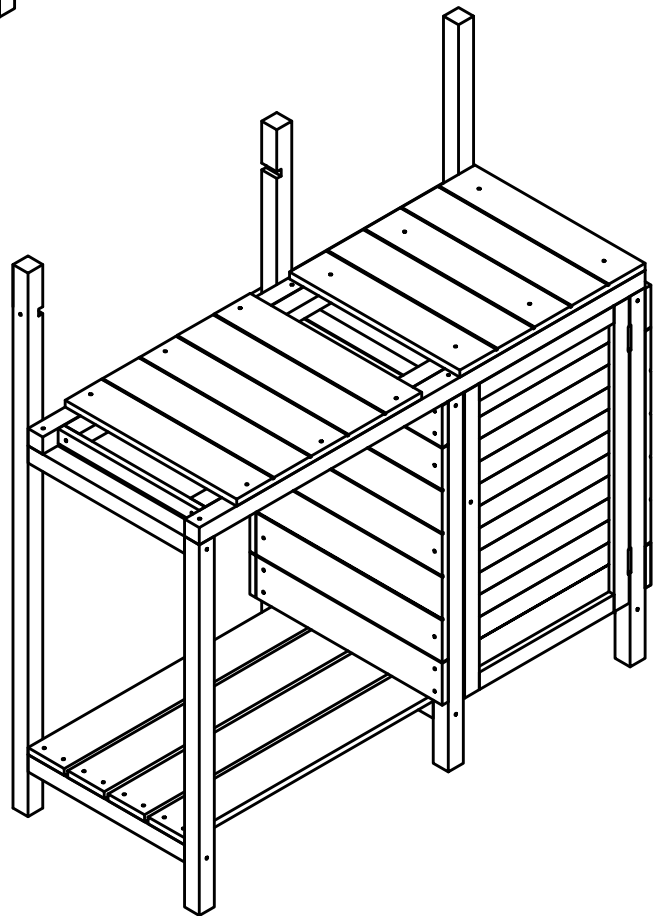
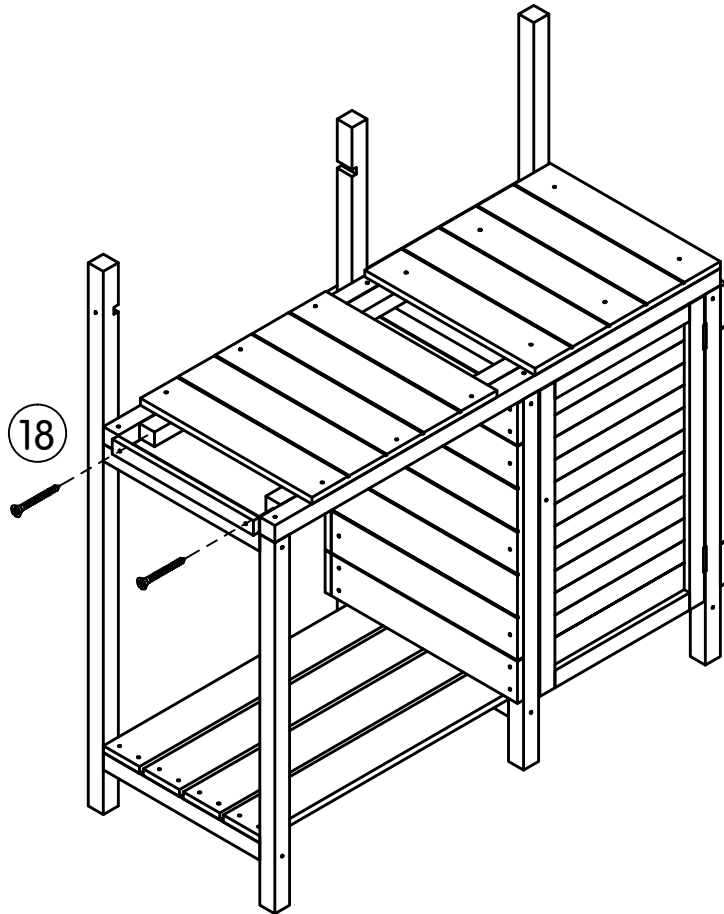


345mm x 1

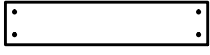
A




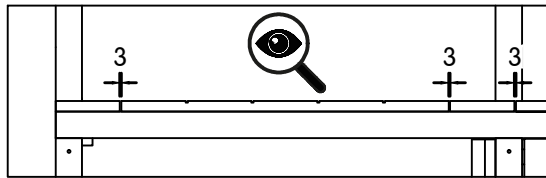
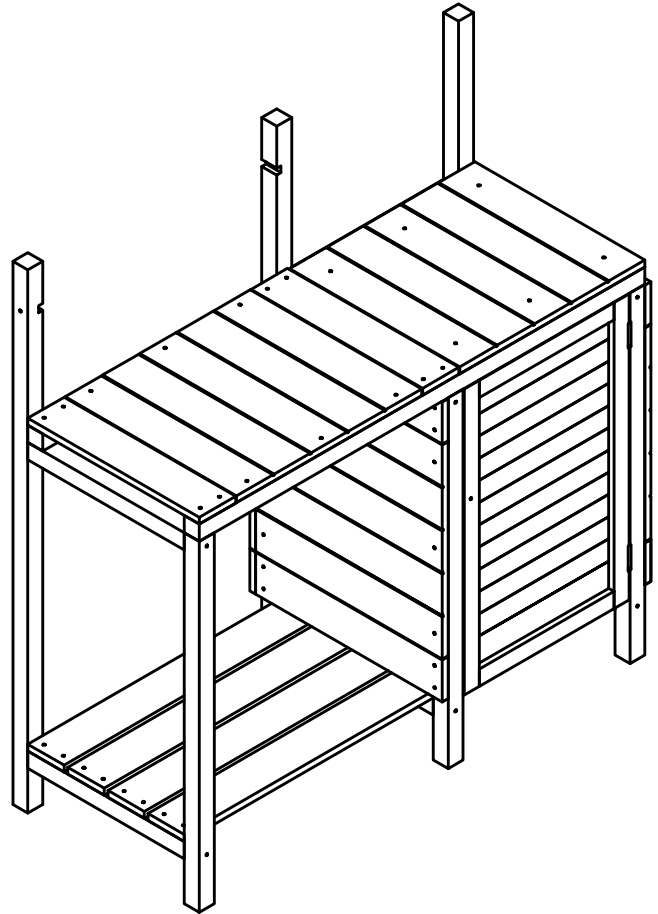
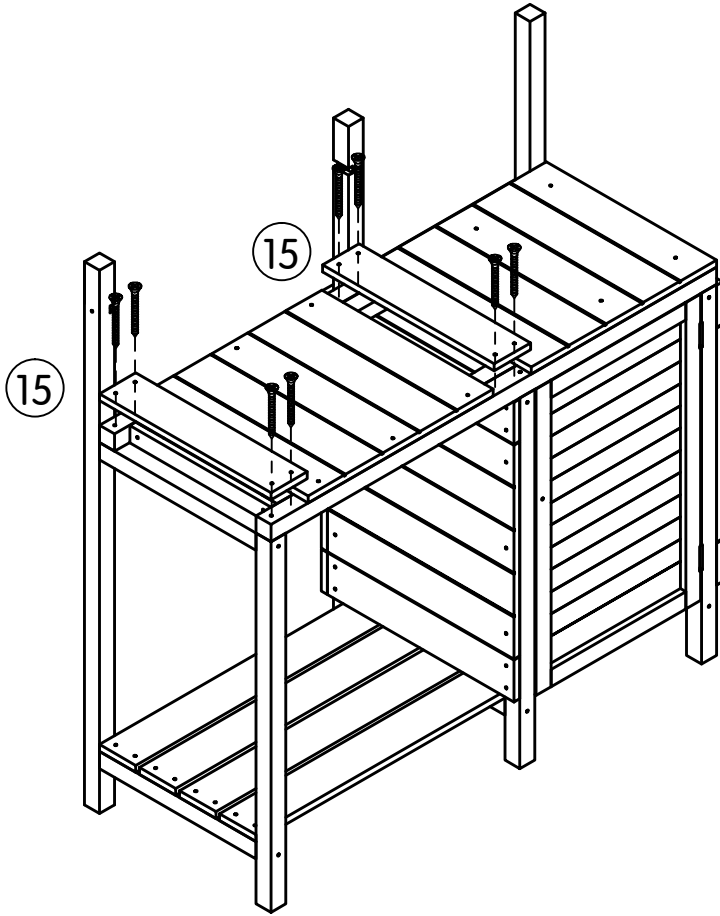
wood screw  
3x30mm x 2



10

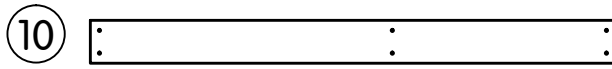
15   
408mm x 2

A   
wood screw  
3x30mm x 8



15

11

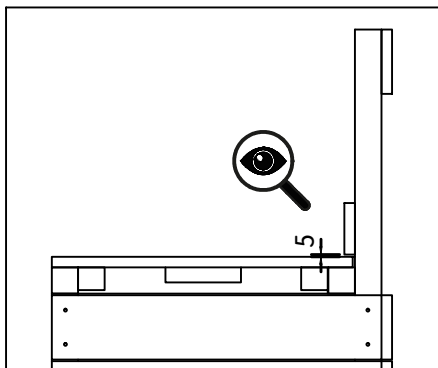
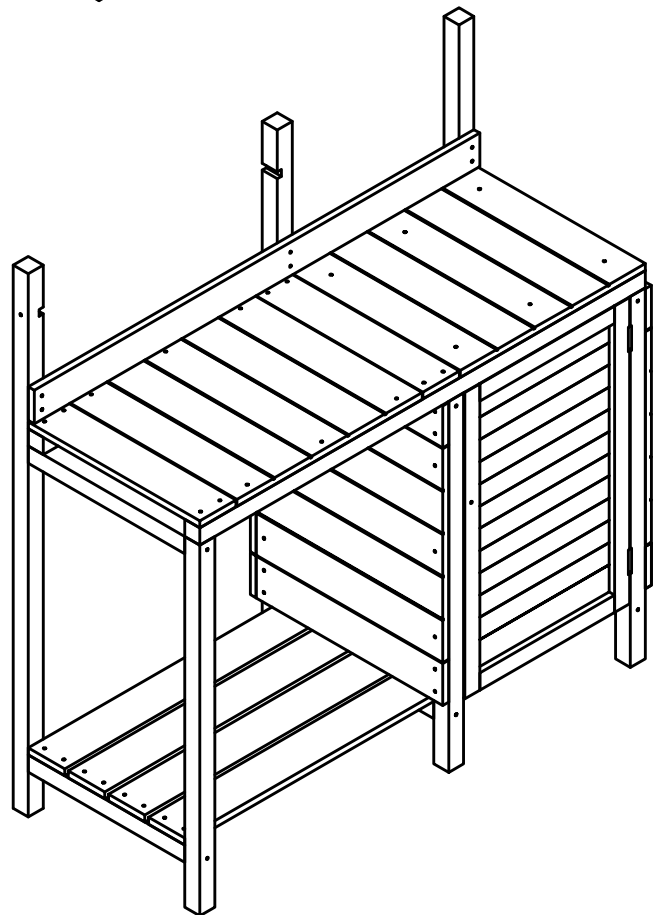
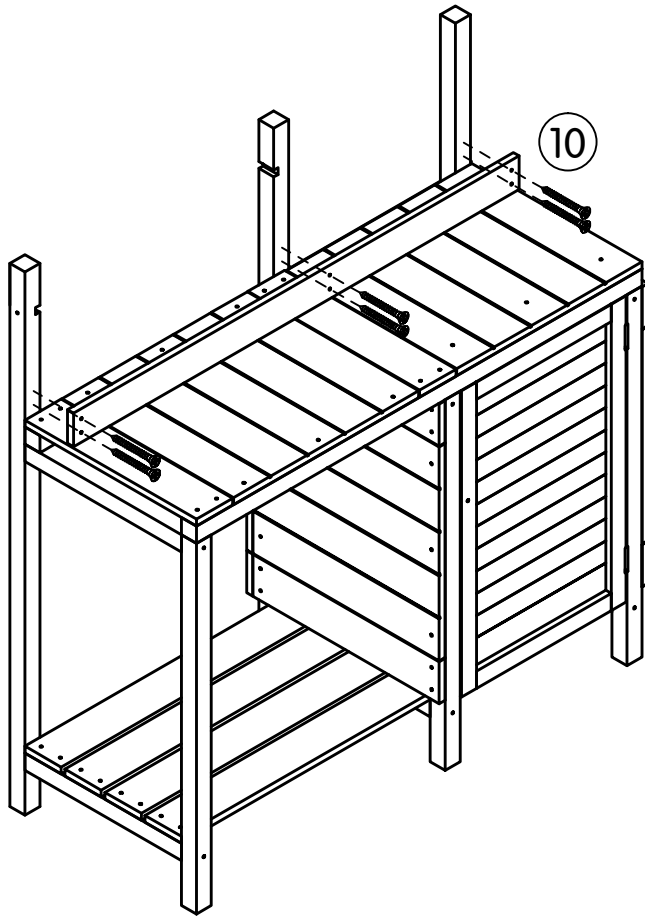


1046mm x 1

B

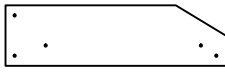


wood screw  
3.5x30mm x 6



12

12

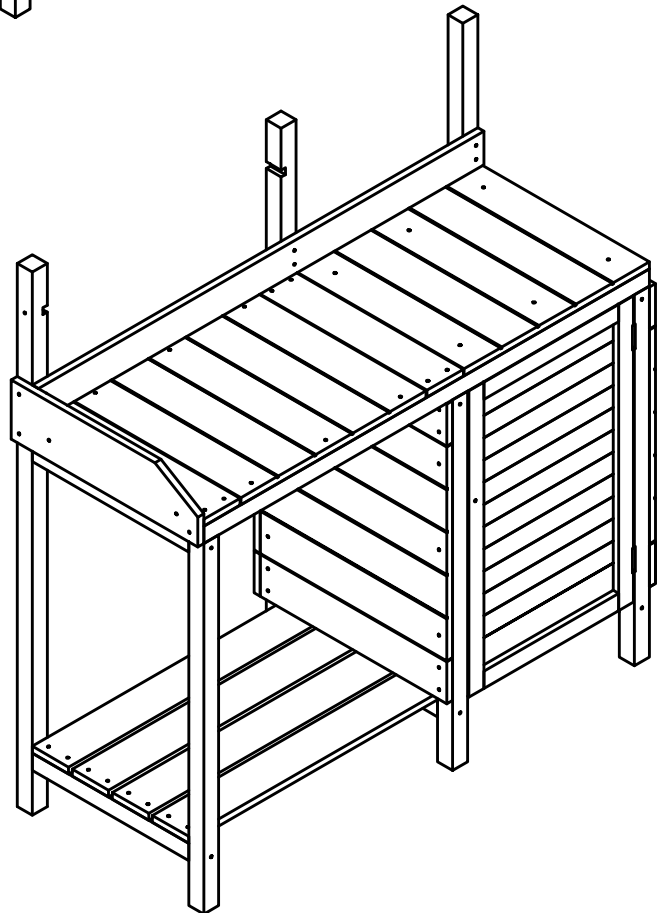
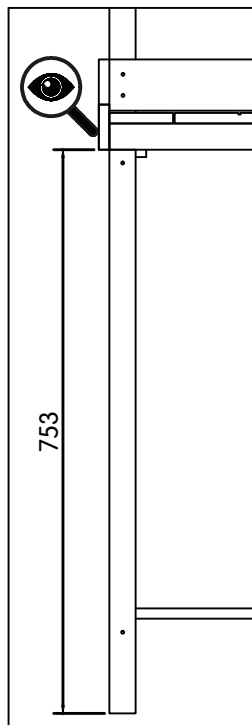
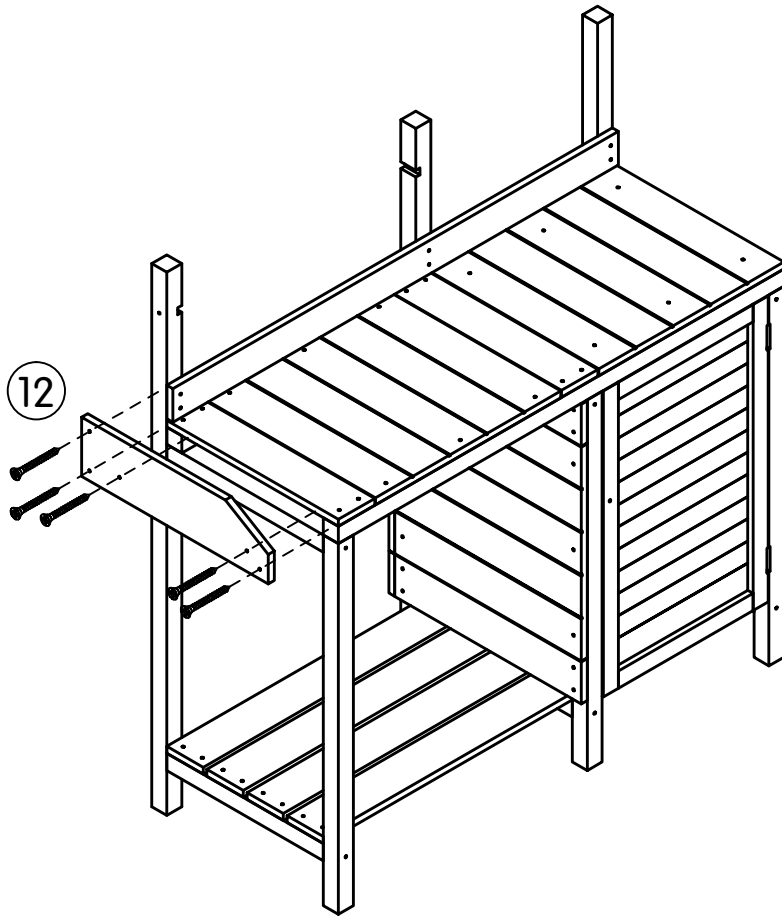


438mm x 1

A



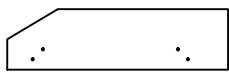
wood screw  
3x30mm x 5



17

13

11

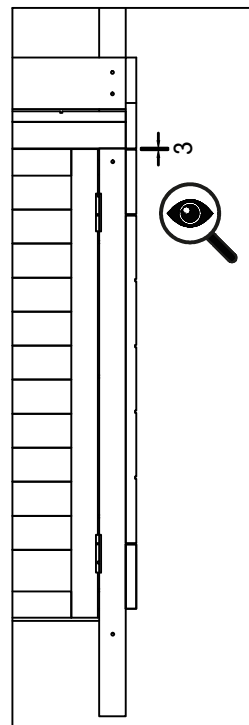
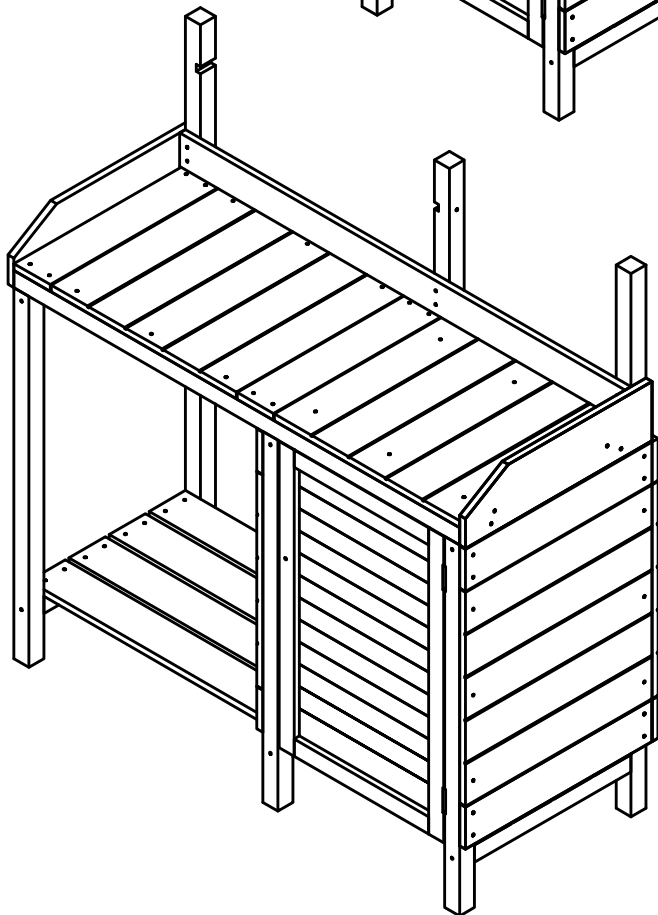
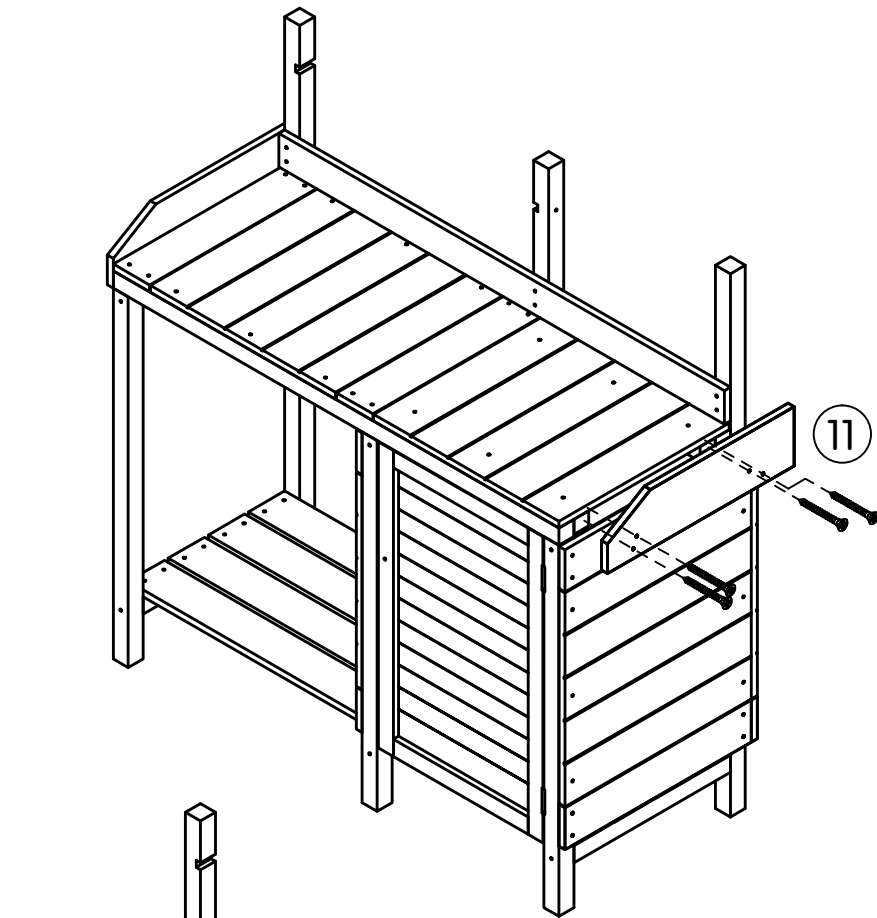


438mm x 1

A



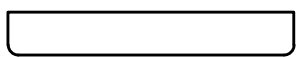
wood screw  
3x30mm x 4



18

14

8

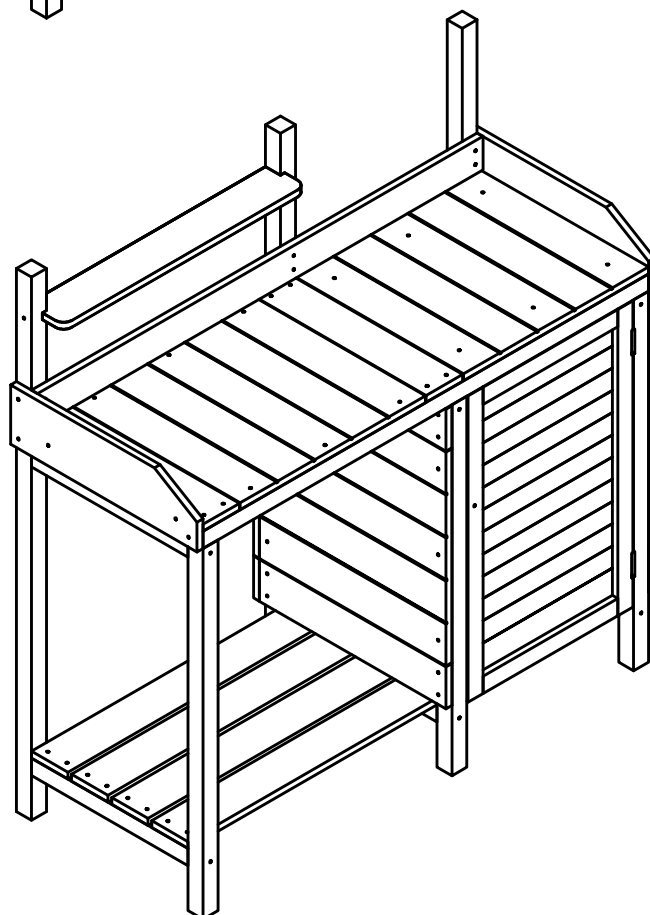
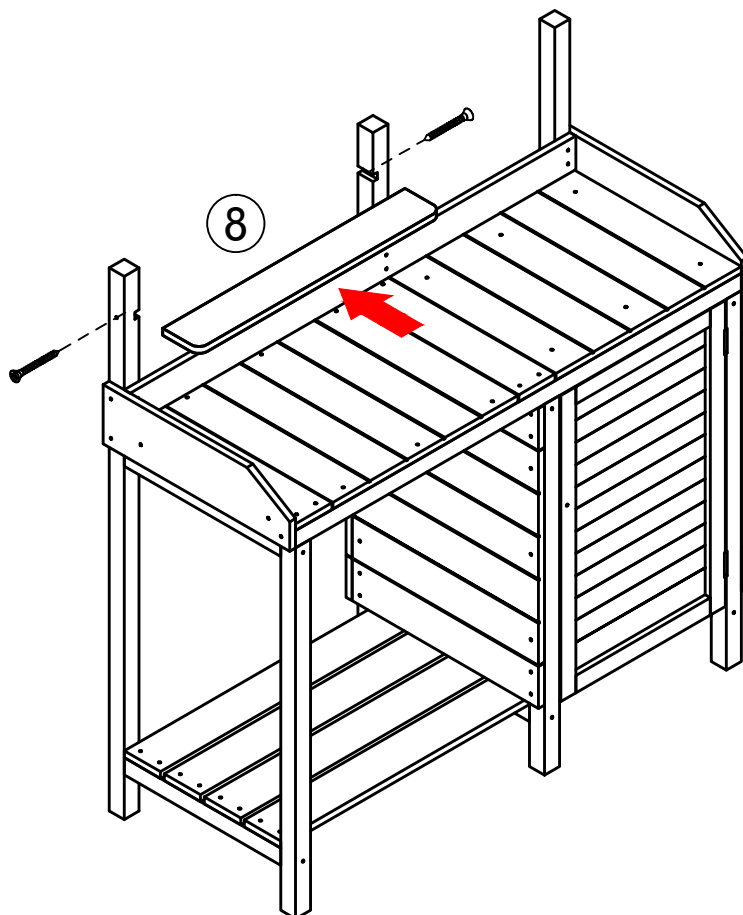


570mm x 1

C



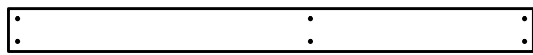
wood screw 3.5x45mm x 2



19

15

9

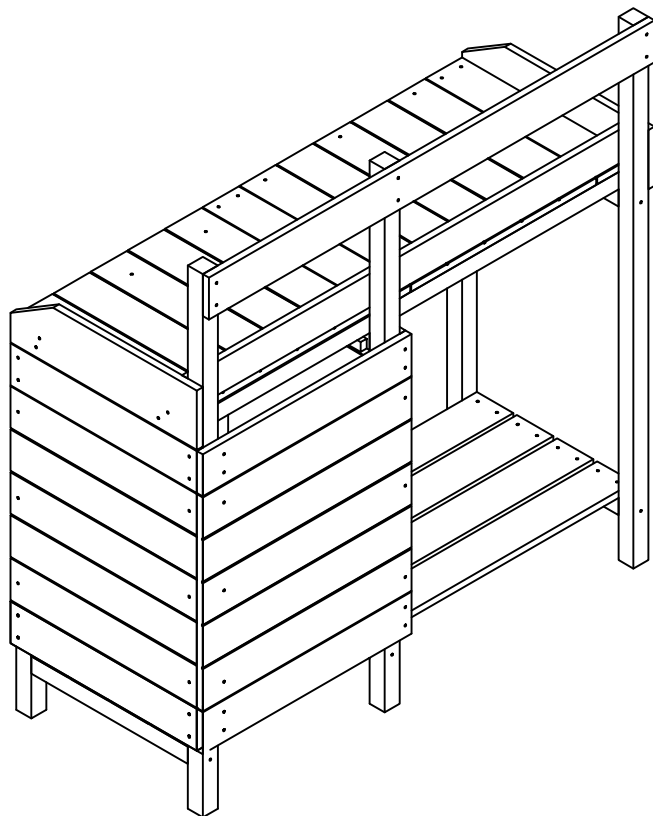
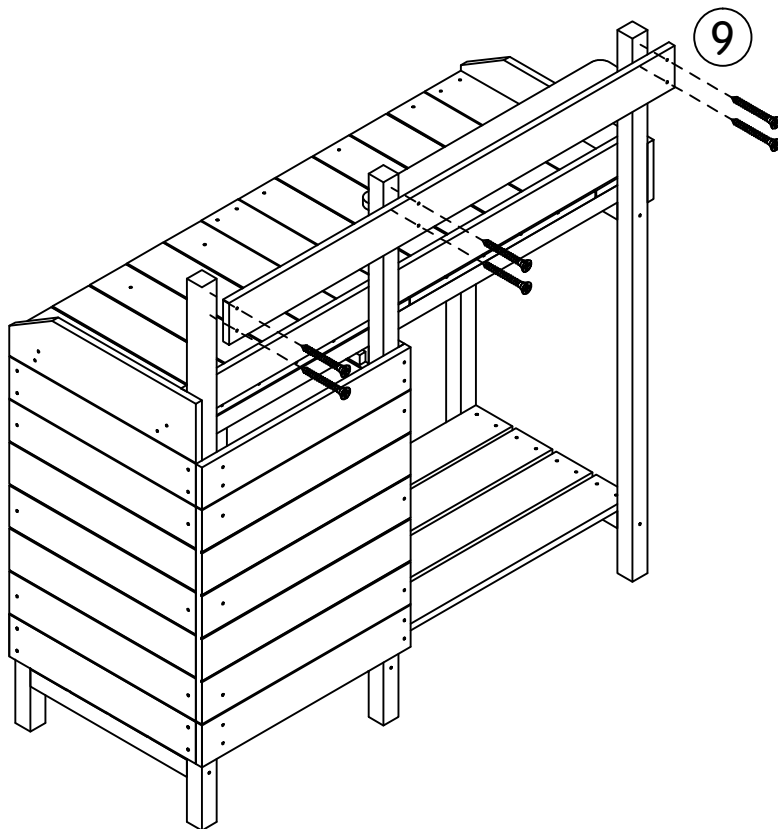


1046mm x 1

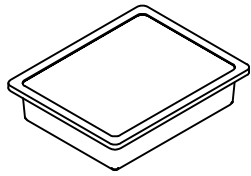
B



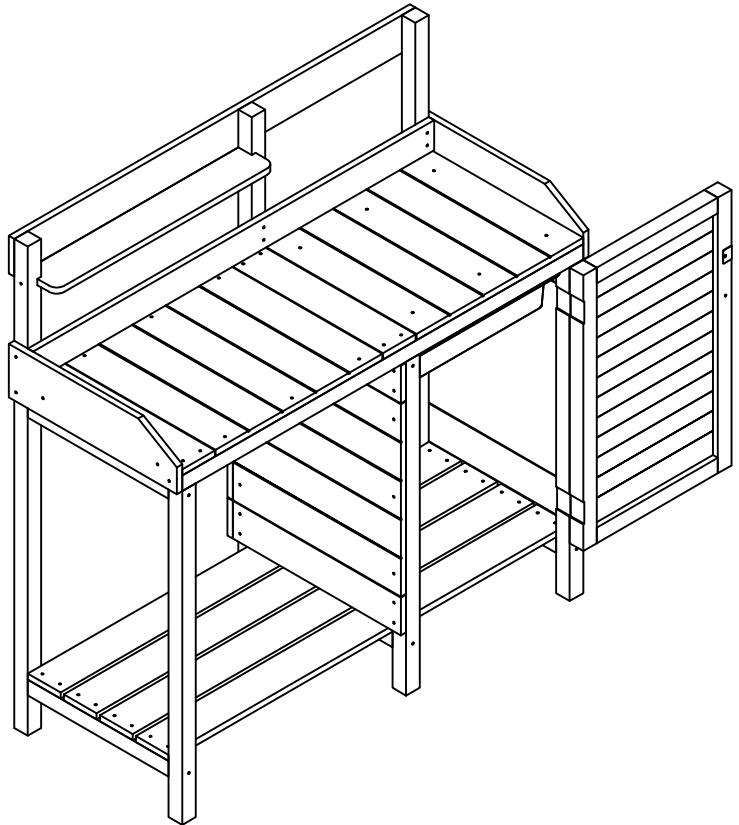
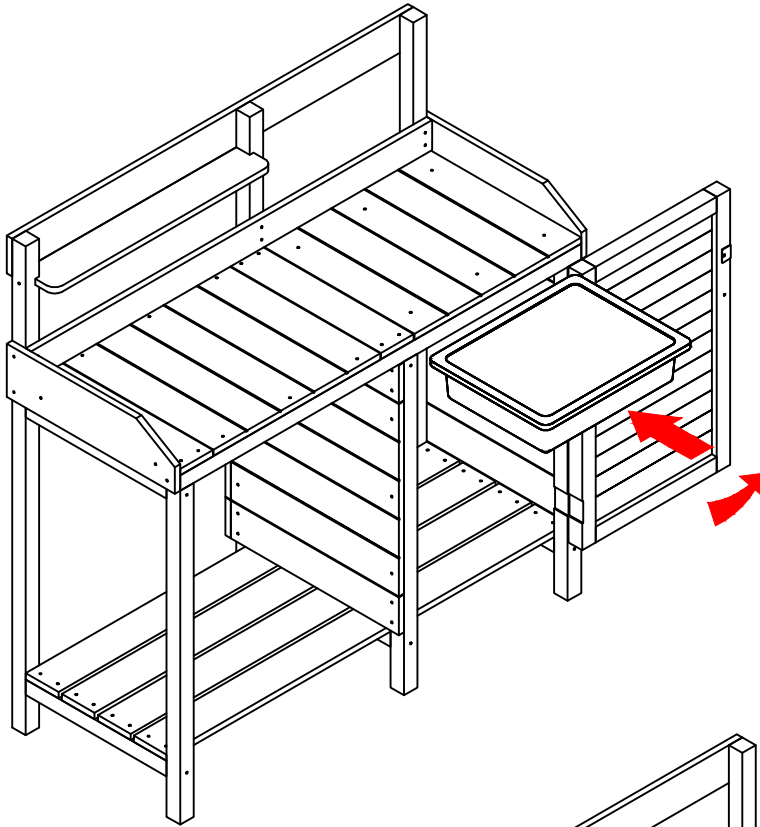
wood screw  
3.5x30mm x 6



16



x1



17

(E)

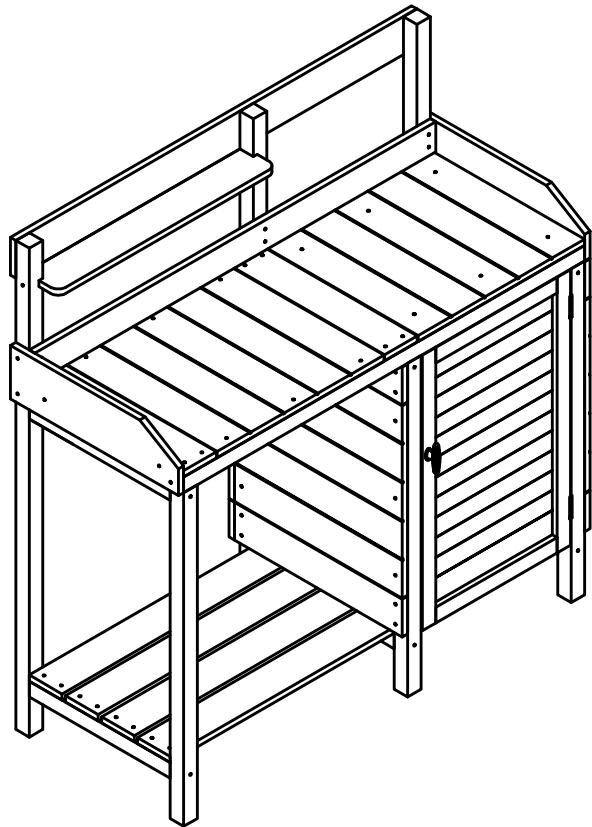
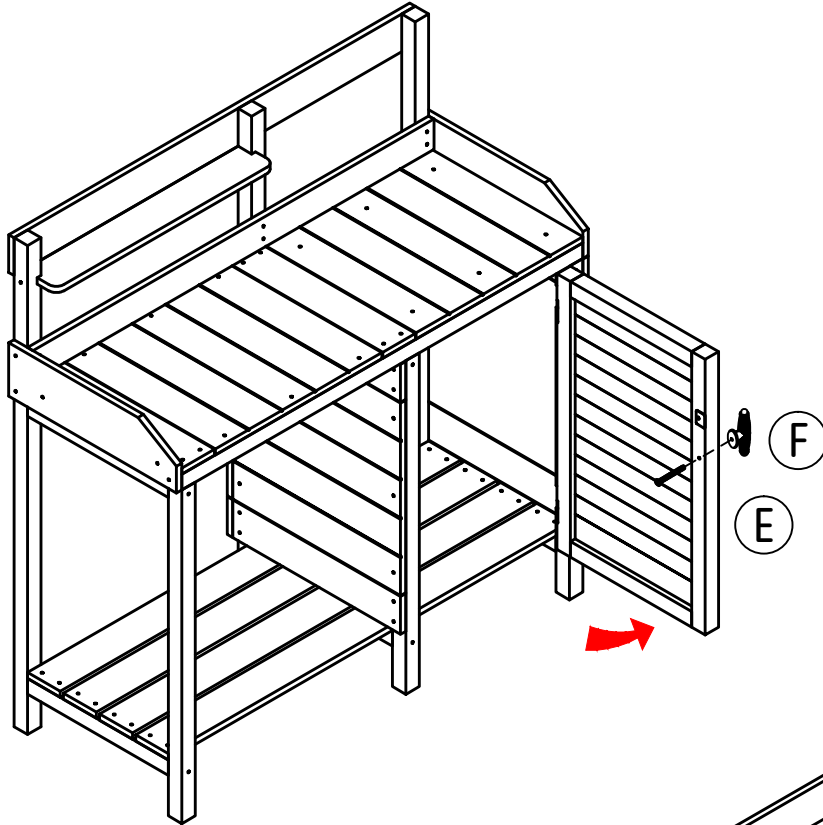


wood screw 4x35mm x 1

(F)



x 1



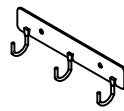
18

(G)

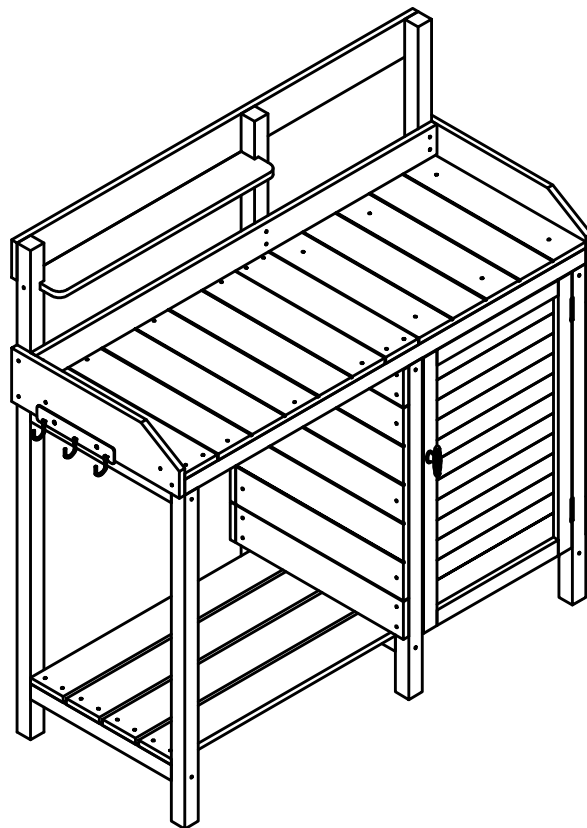
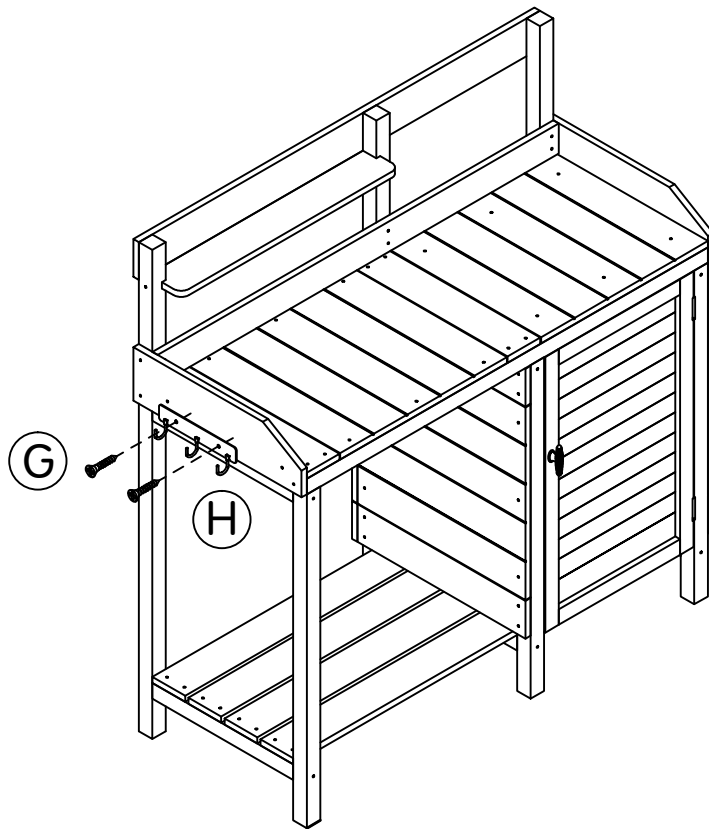


wood screw 3x12mm x2

(H)



x1



## Safety Information



**DANGER:** Please keep children out of the assembly area during assembly.



**CAUTION:** Use the products on flat ground only.



**WARNING:** Do not stand on the product. Do not sit on the product.

## Warranty

### ONE YEAR LIMITED WARRANTY WHAT IS COVERED

We warrant the products to be free from defects in material or workmanship for a period of one year from the date of original retail purchase. The word "defect" is defined as imperfections that impair the use of the product.

Defects resulting from misuse abuse or customer negligence will void this warranty.

### DISCLAIM CONDITIONS

This warranty does not cover commercial use, hardware, acts of nature, fire, freezing and abusive use.

This warranty does not cover defects due to alteration or accidents.

This warranty does not cover scratches, scuffs or other cosmetic damages that may result from normal use of the product.

---