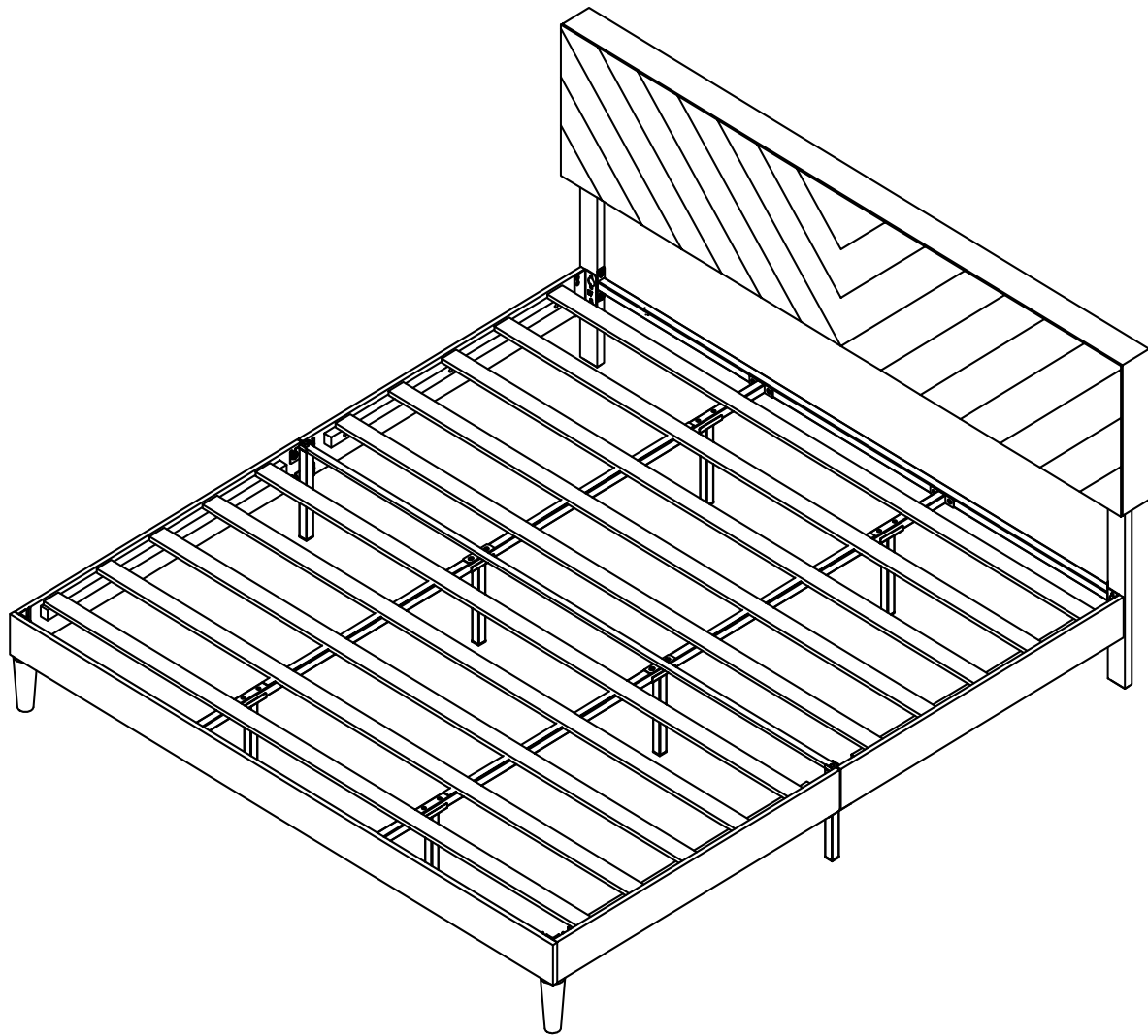


USER'S MANUAL

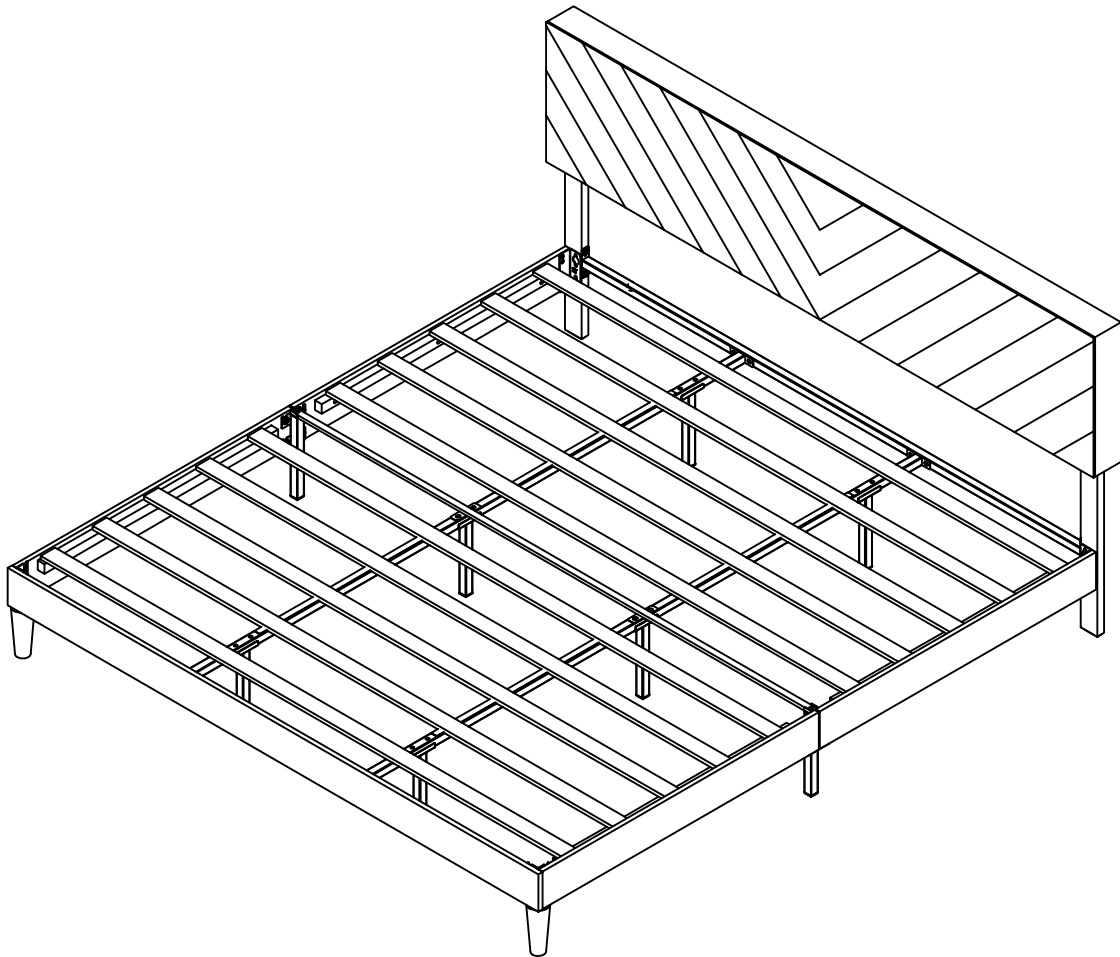


ASSEMBLY INSTRUCTIONS

DEAR CUSTOMER,

Caution:

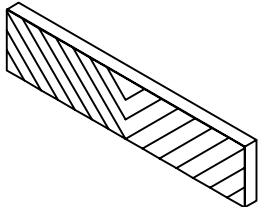
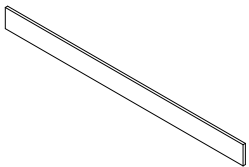
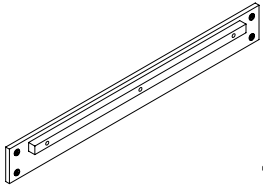
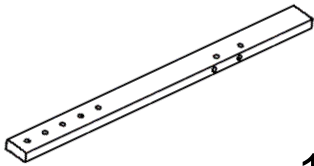
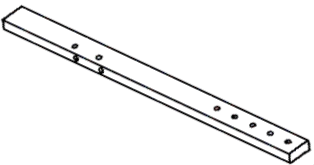
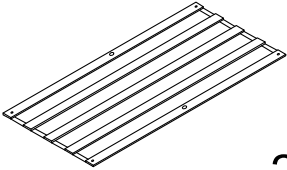

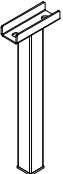

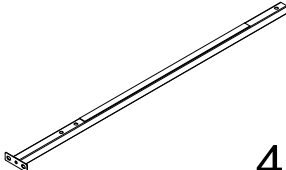
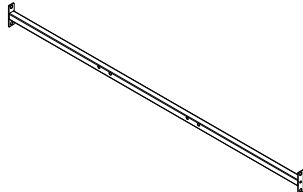
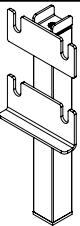
1. Please read all instructions before assembly and check the carton for any parts that may have come loose during shipment. It is recommended to use two or more persons during the assembly process.
2. Please do not discard any packaging before you have checked all the parts and fittings are included. If for any reason this product needs to be returned it must be returned packed in its original packaging.
3. Assemble this product on a flat and clean surface to avoid scratching.







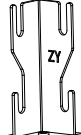
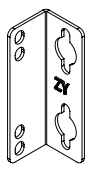
GENERAL ASSEMBLY GUIDELINES

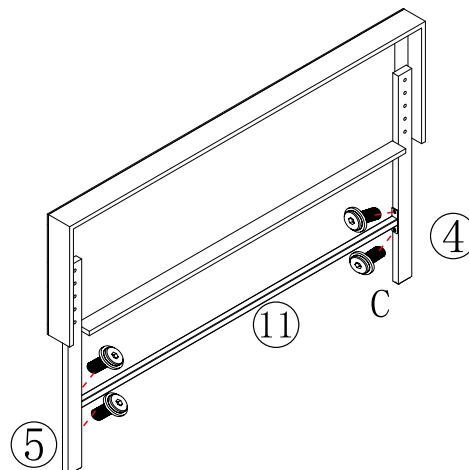
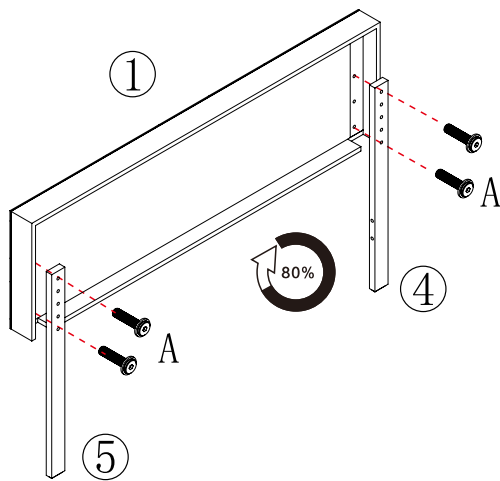
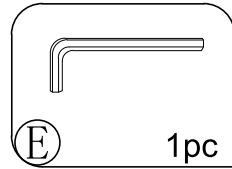
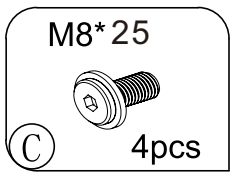
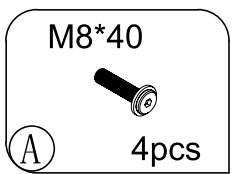
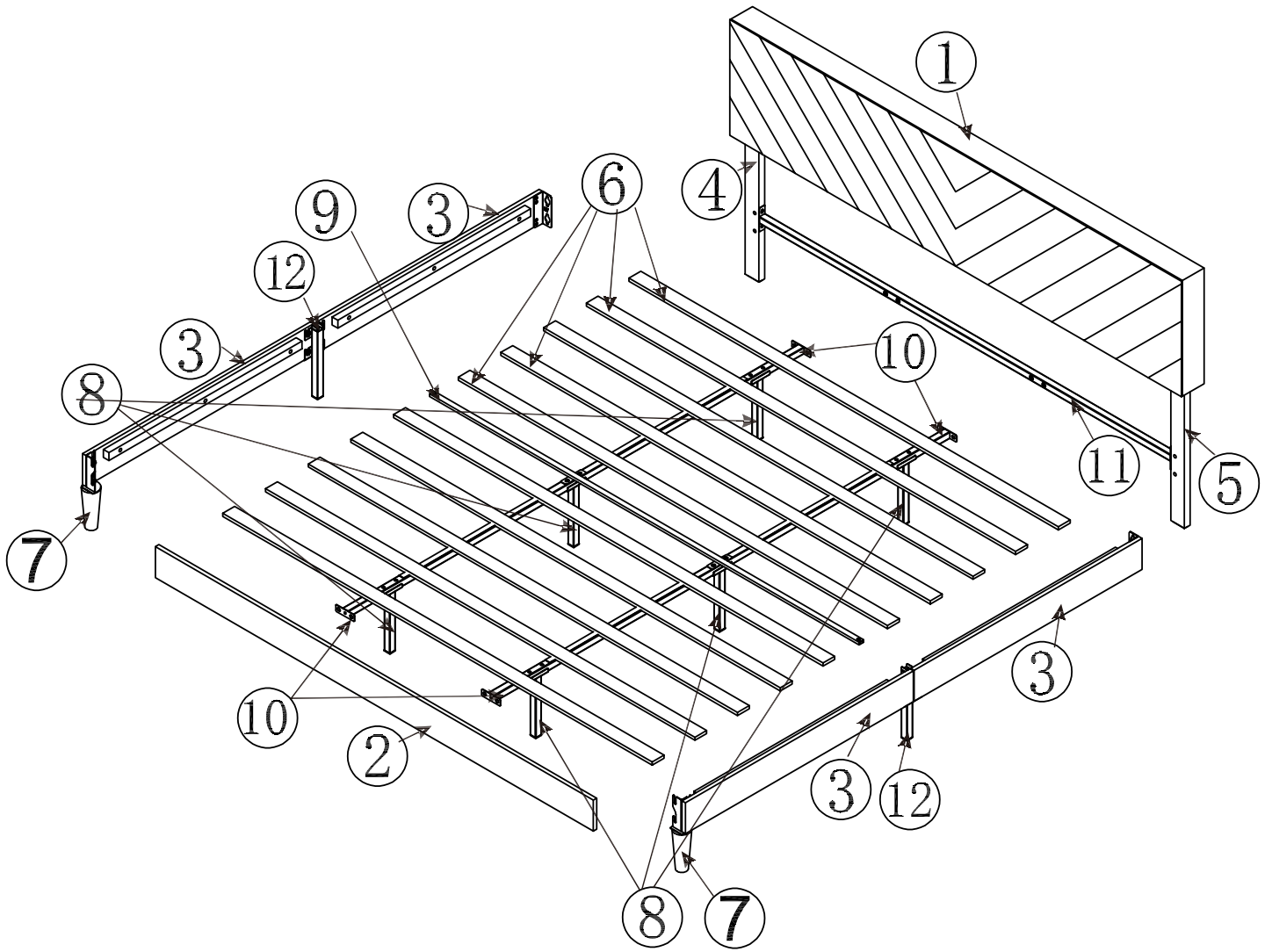
- I. Ensure that all parts and hardware are available before beginning assembly.
- II. Follow each step carefully to ensure the proper assembly of the product.
- III. Two people are recommended for ease in the assembly of this product.

PARTS LIST

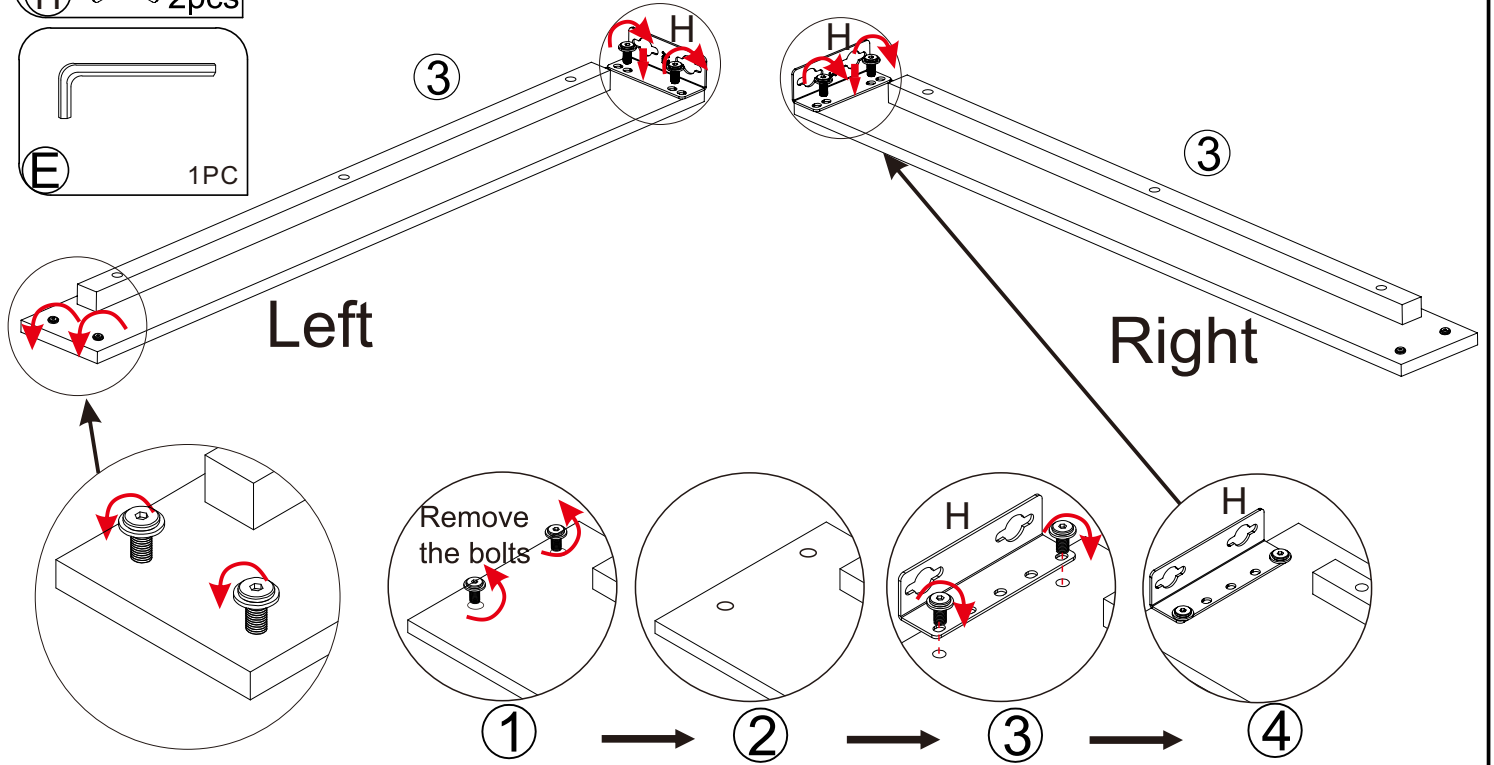
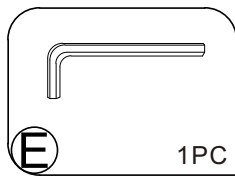
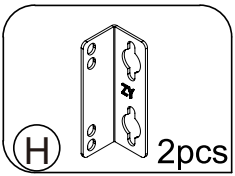
 <p>① 1pc</p>	 <p>② 1pc</p>	 <p>③ 4pcs</p>
 <p>④ 1pc</p>	 <p>⑤ 1pc</p>	 <p>⑥ 2pcs</p>
 <p>⑦ 2pcs</p>	 <p>⑧ 6pcs</p>	 <p>⑨ 1pc</p>
 <p>⑩ 4pcs</p>	 <p>⑪ 1pc</p>	 <p>⑫ 2pcs</p>

HARDWARE

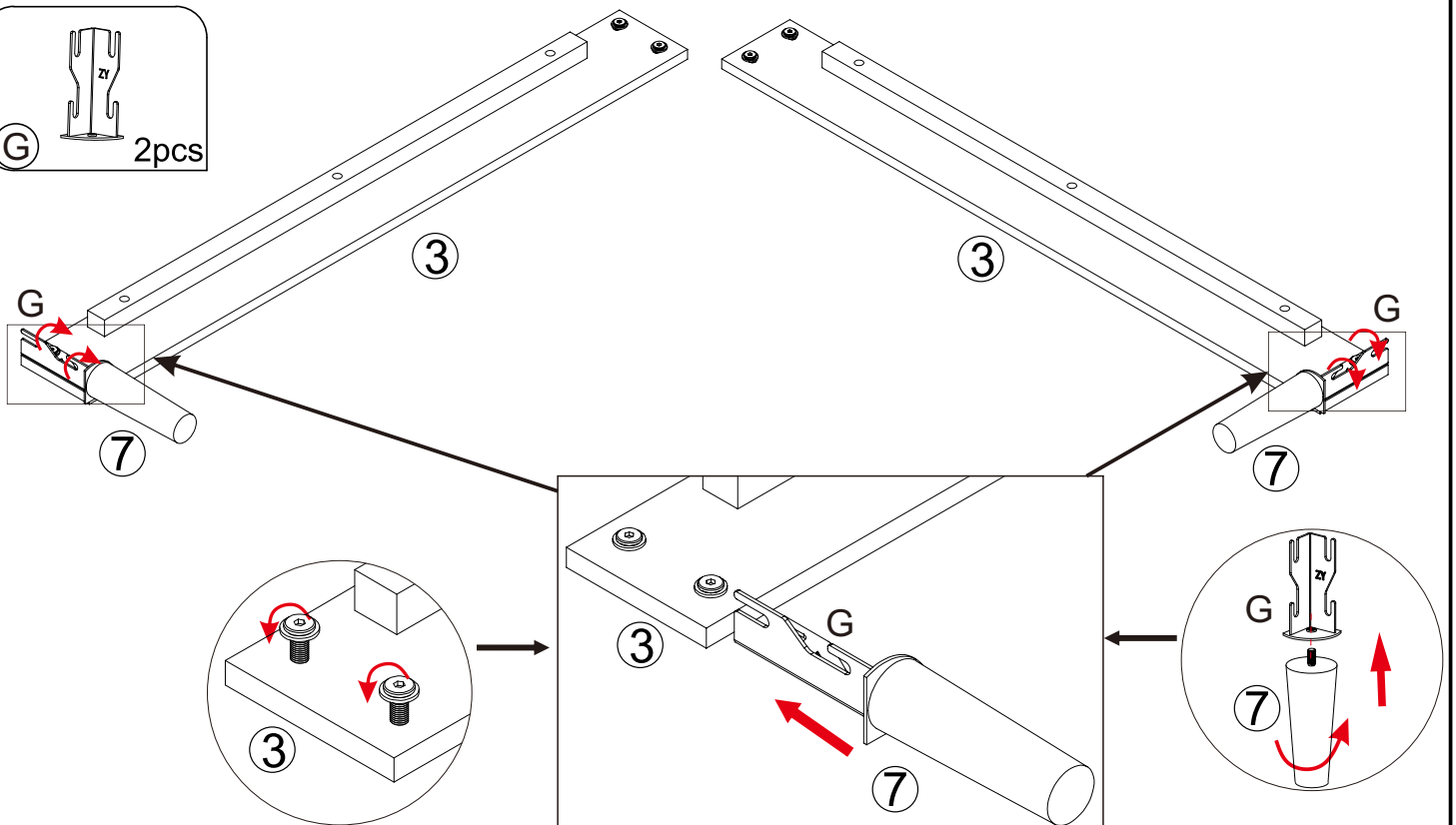
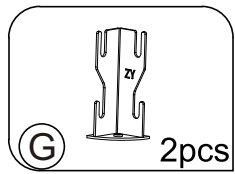
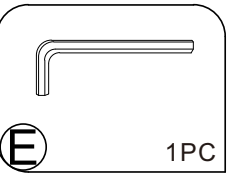
 <p>A M8*40 16+1 pcs</p>	 <p>B M8*16 4pcs</p>	 <p>C M8*25 10+1 pcs</p>	 <p>E 1pc</p>	 <p>G 2pcs</p>
 <p>H 2pcs</p>				

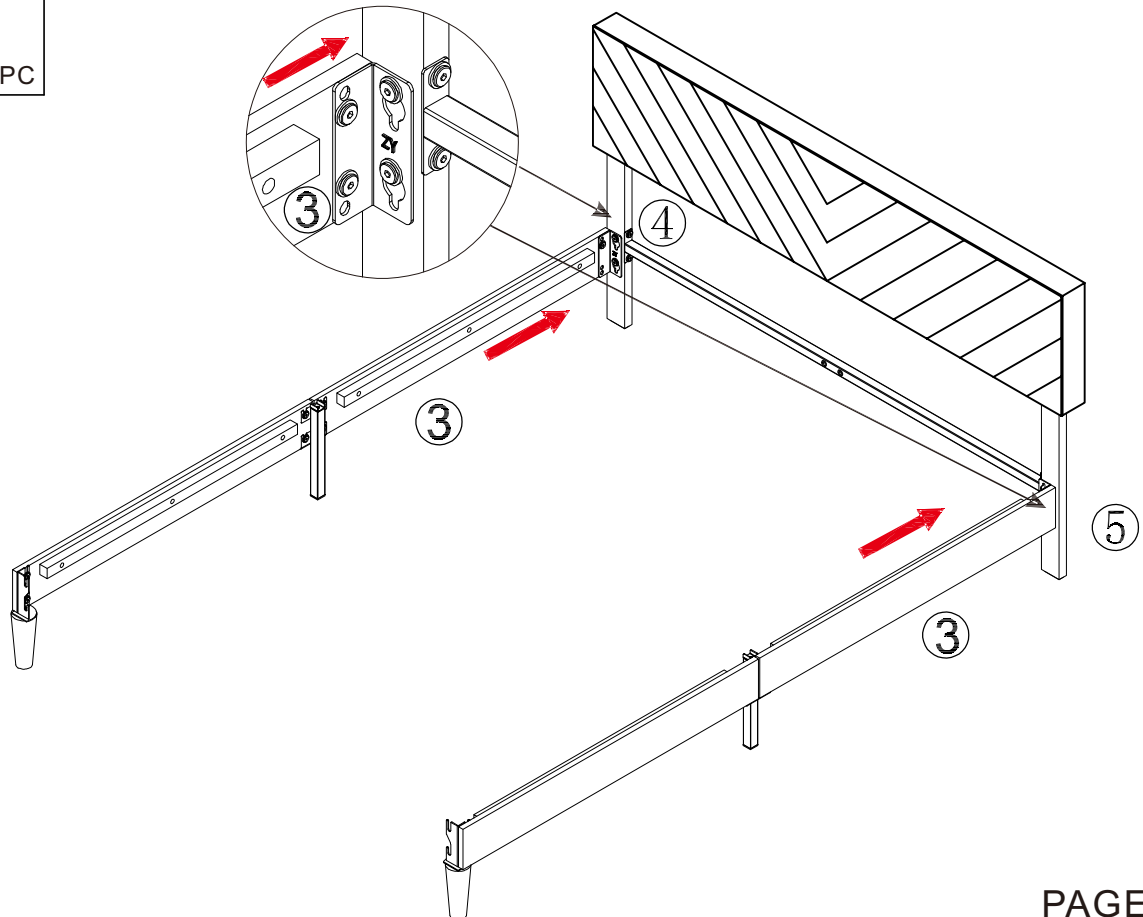
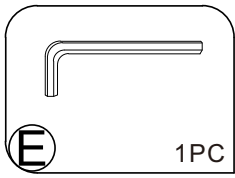
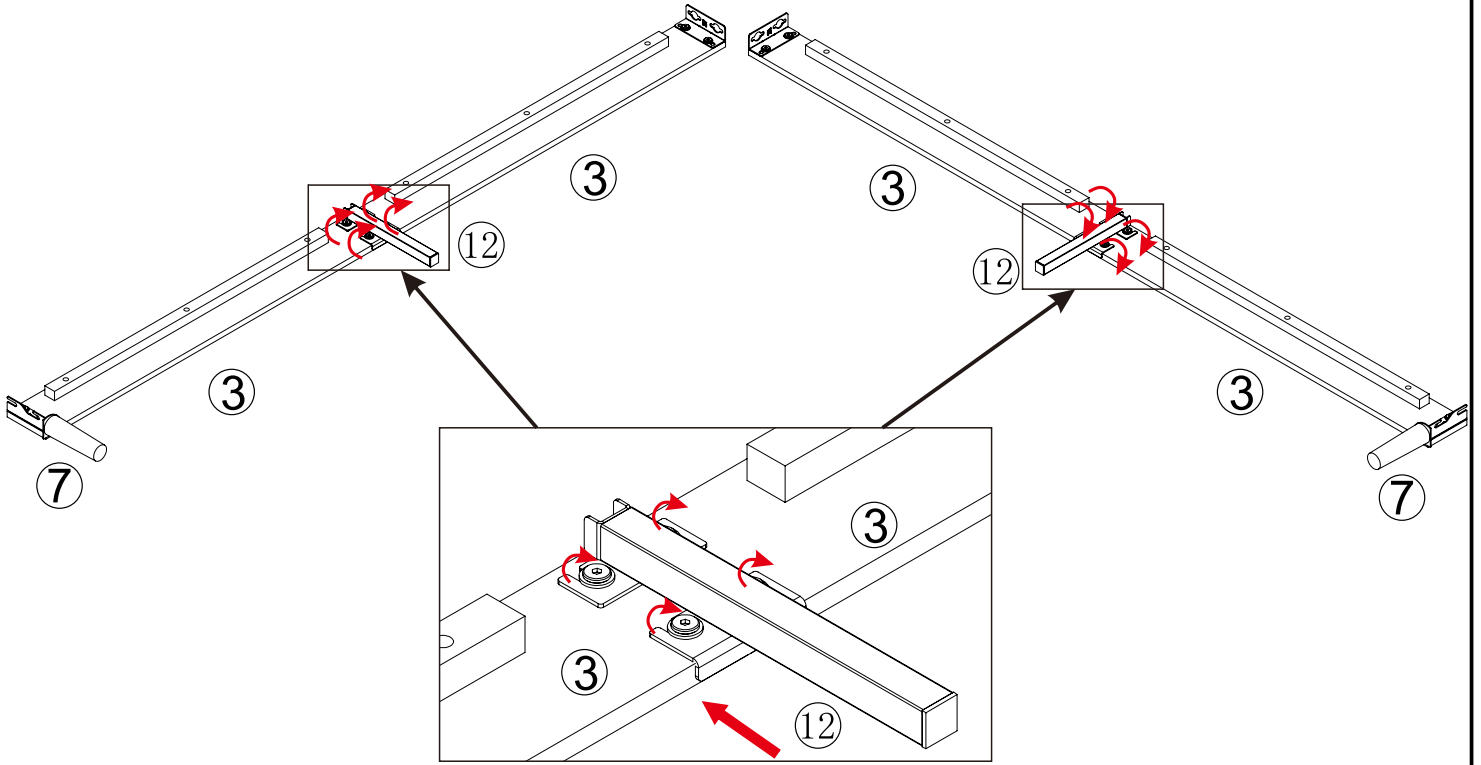
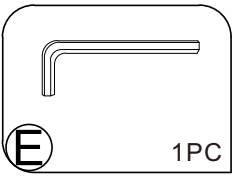


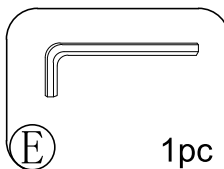
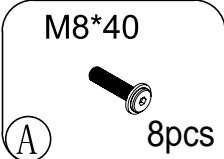
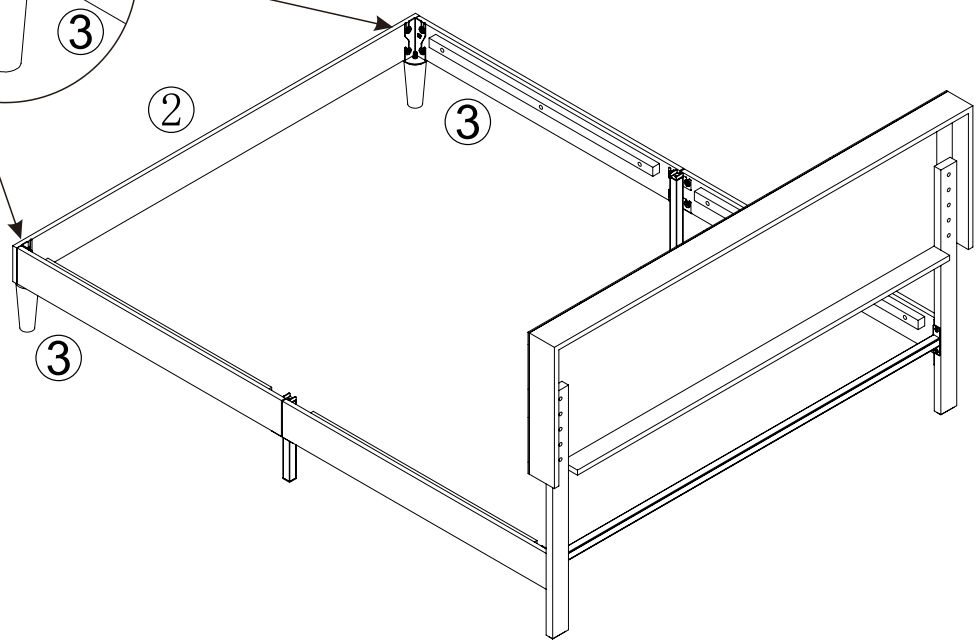
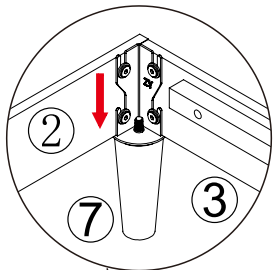
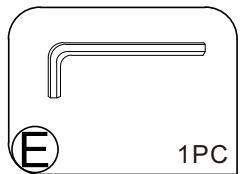
Untighten the bolts
Tighten the L-brackets on



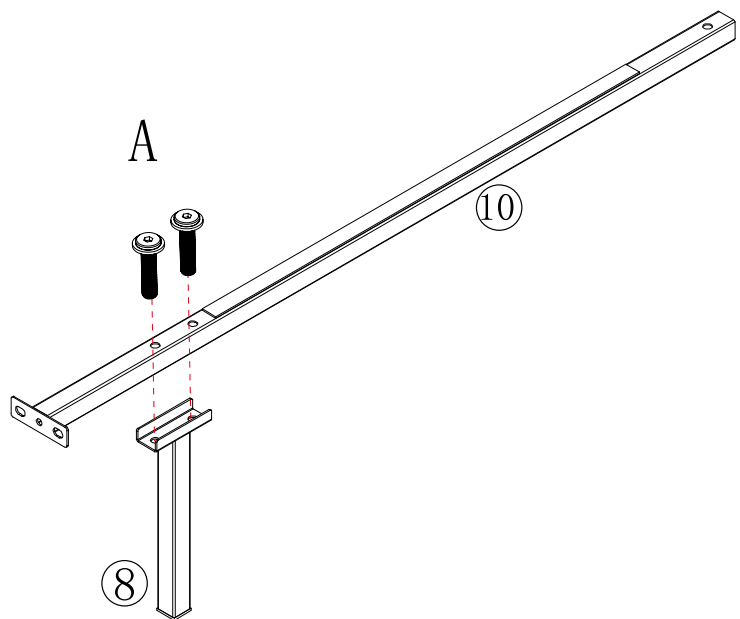
Untighten the Siderail bolts







X4



Note: Part ⑧ support only.
Don't tighten any bolts.

M8*16



④ 4 pcs

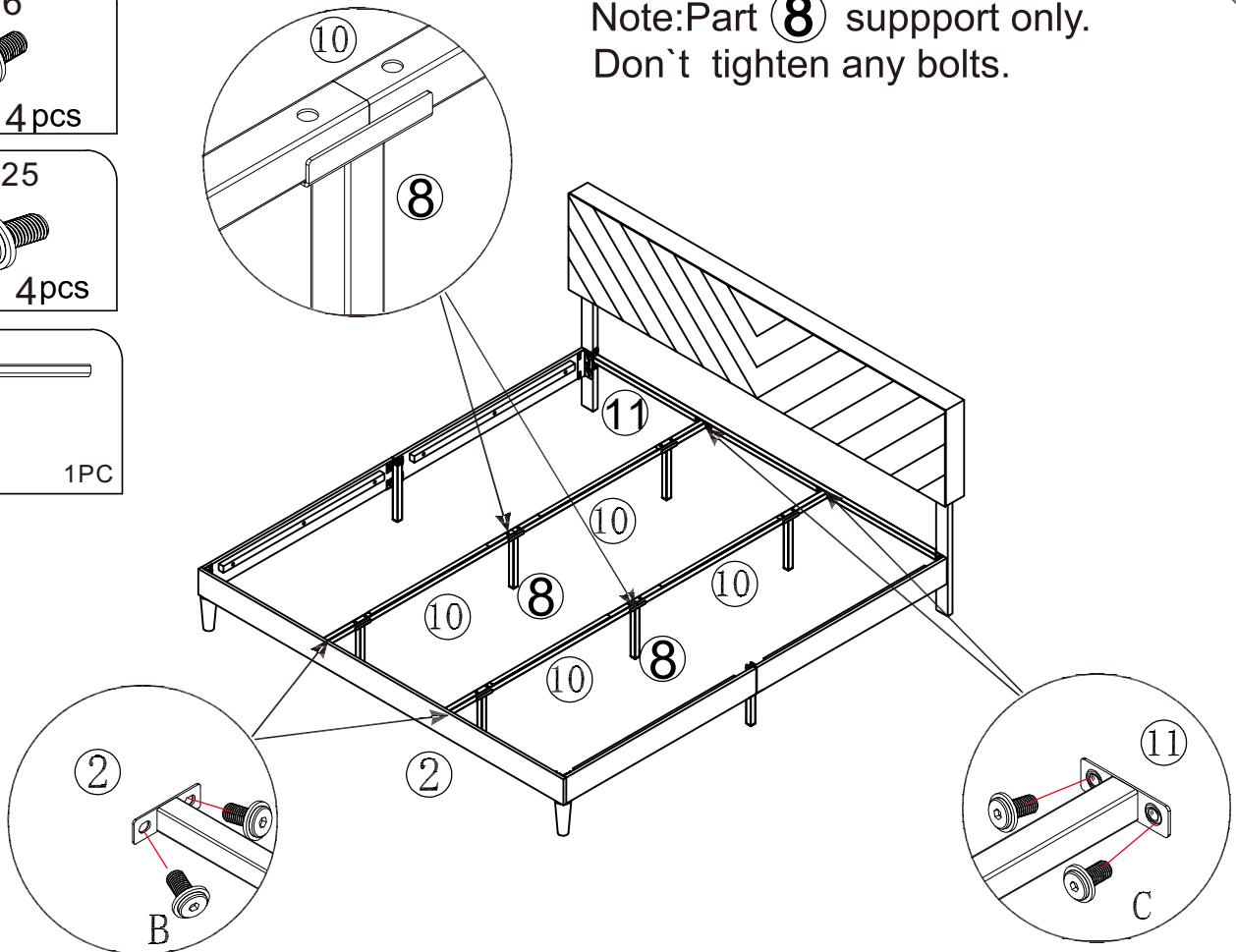
M8*25



⑤ 4 pcs



⑥ 1PC



M8*40

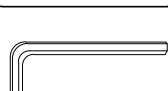


⑦ 4 pcs

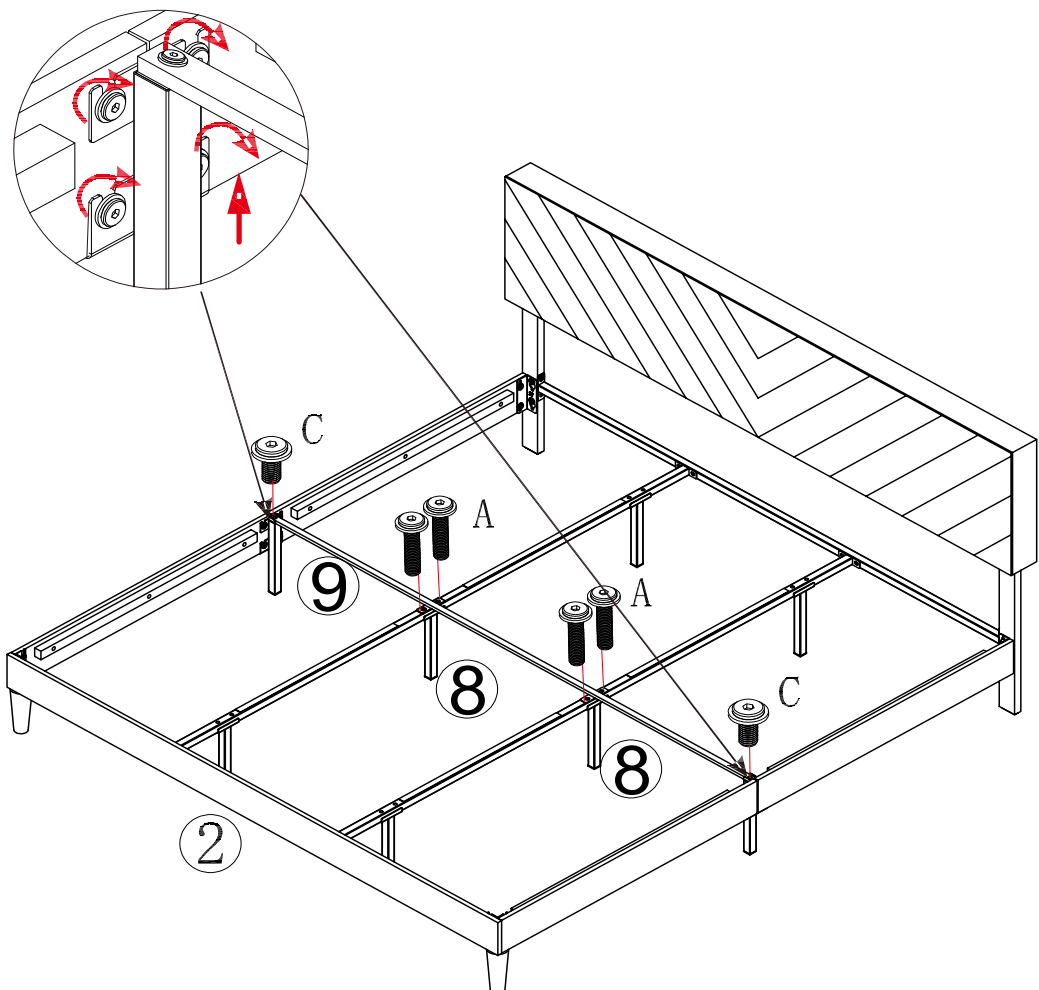
M8*25



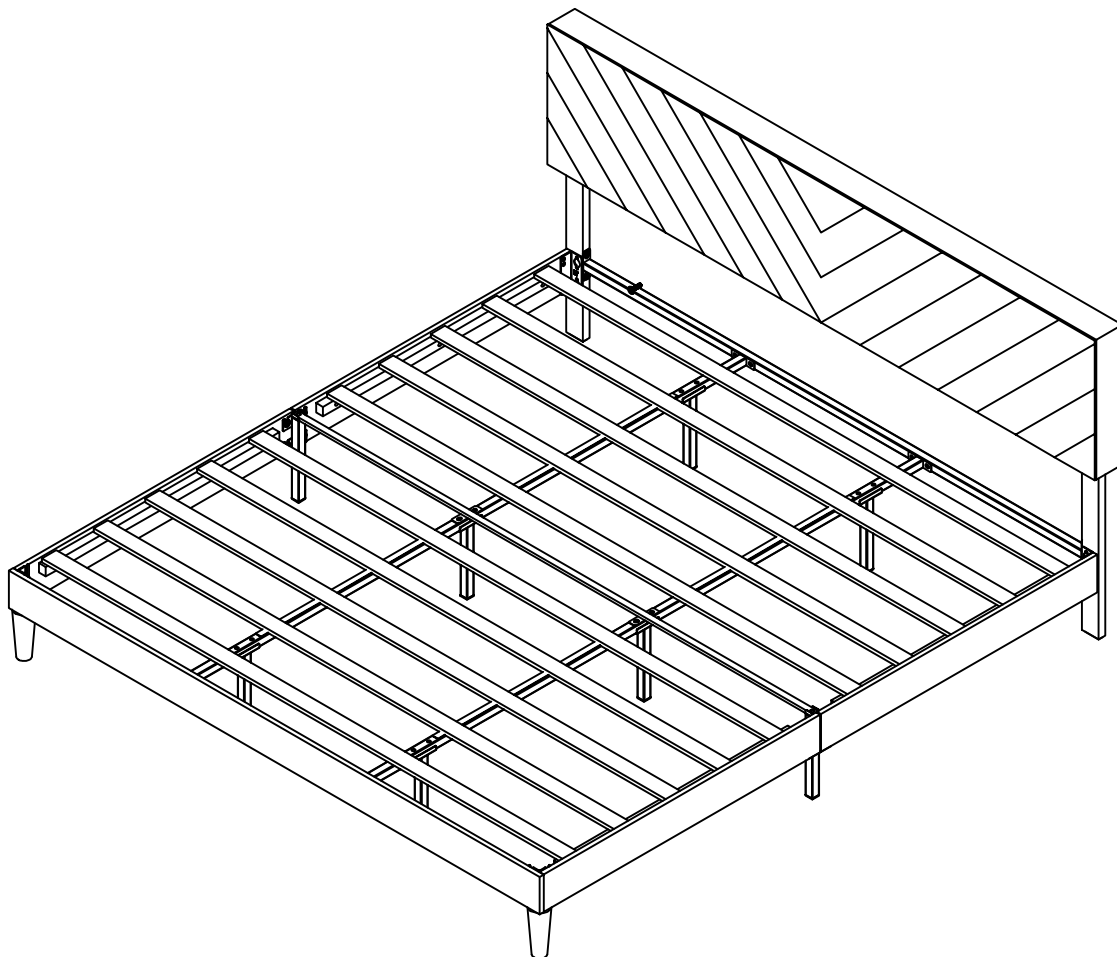
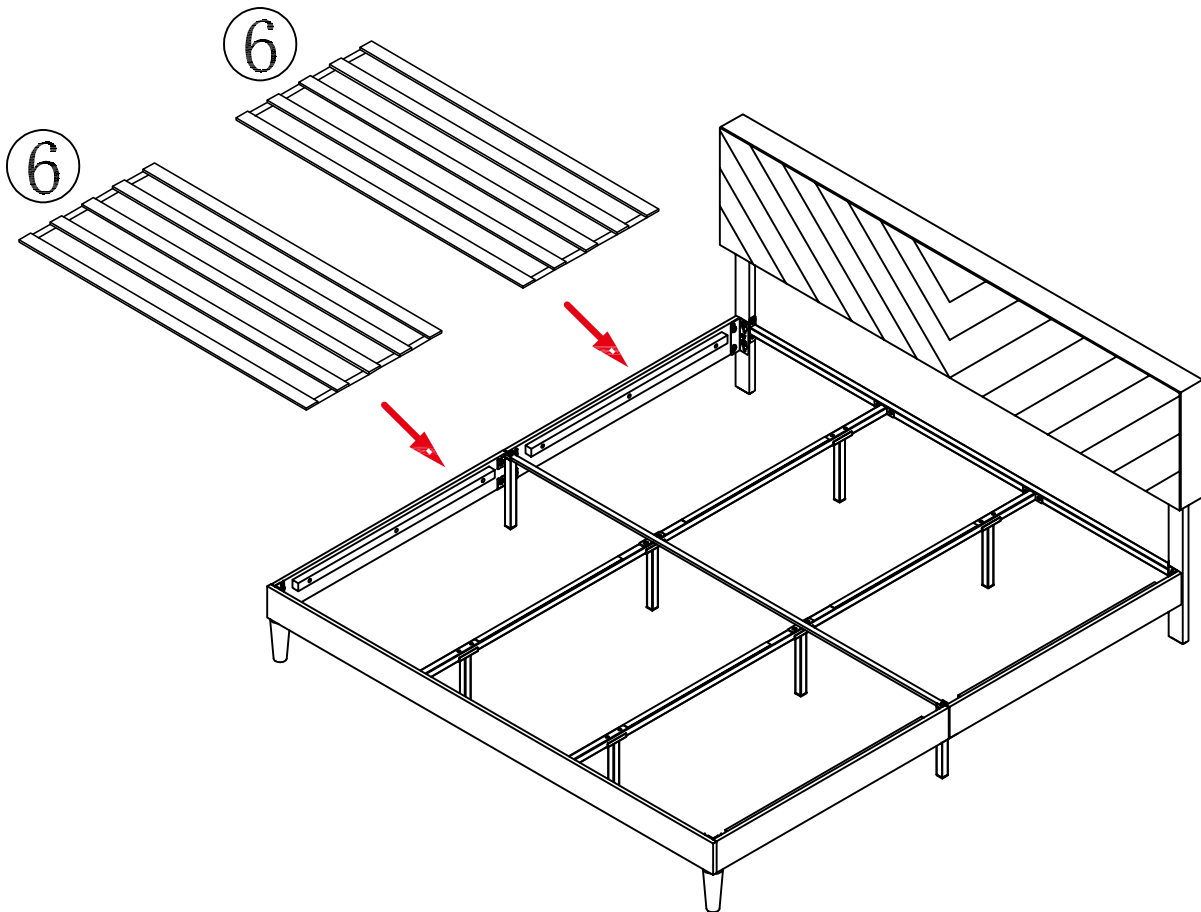
⑤ 2 pcs



⑥ 1PC



※ Tighten all bolts completely.





Connected to bedder sources