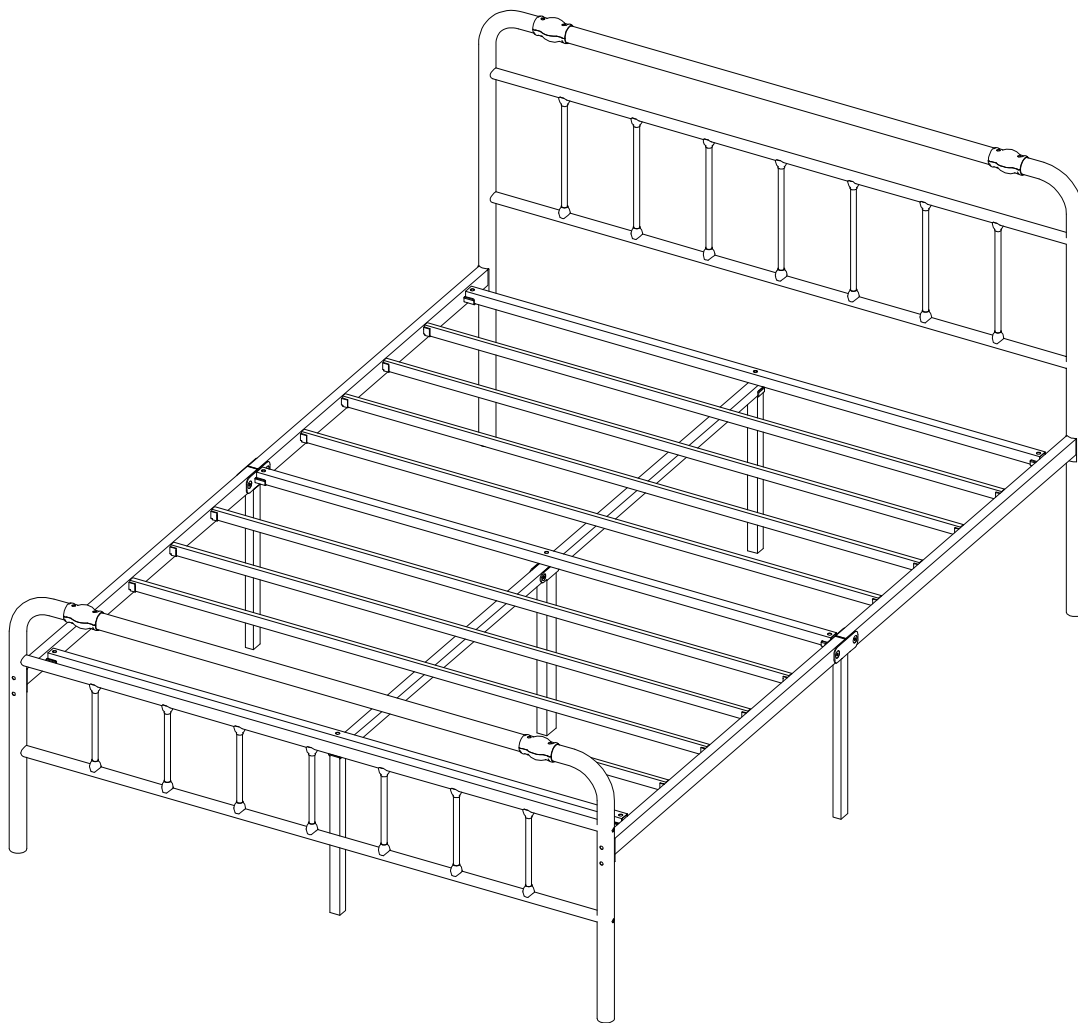


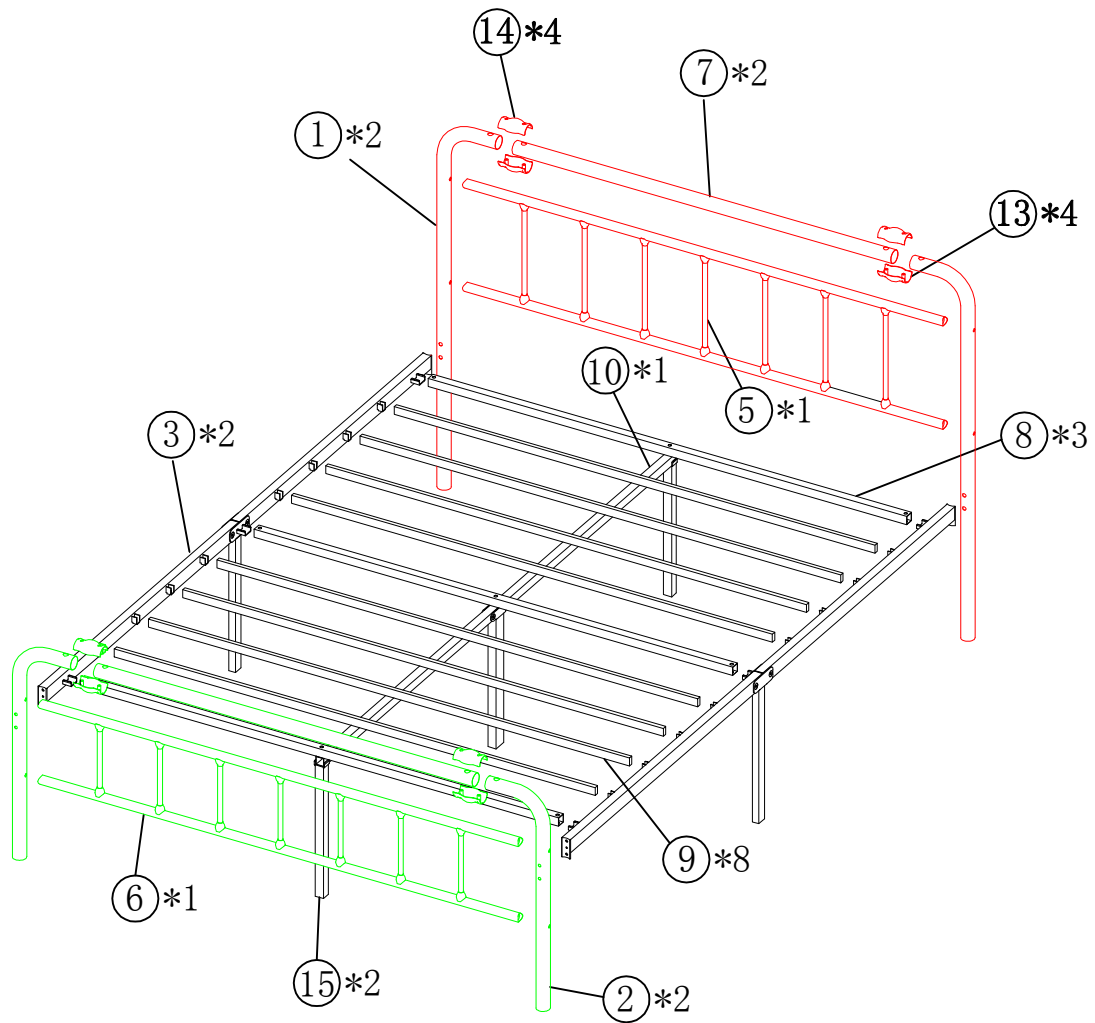
ASSEMBLY INSTRUCTION


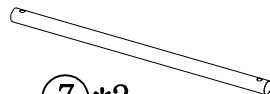






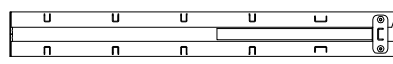



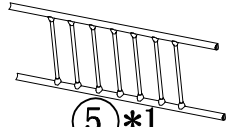


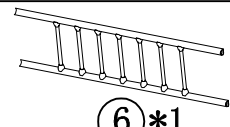


Dear Customer:

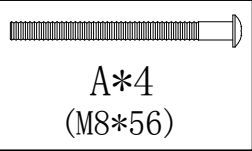
1. Do not skip steps.
2. Do not fully tighten screws until all the bed parts are assembled.



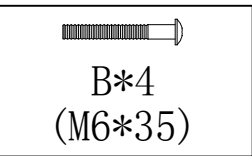
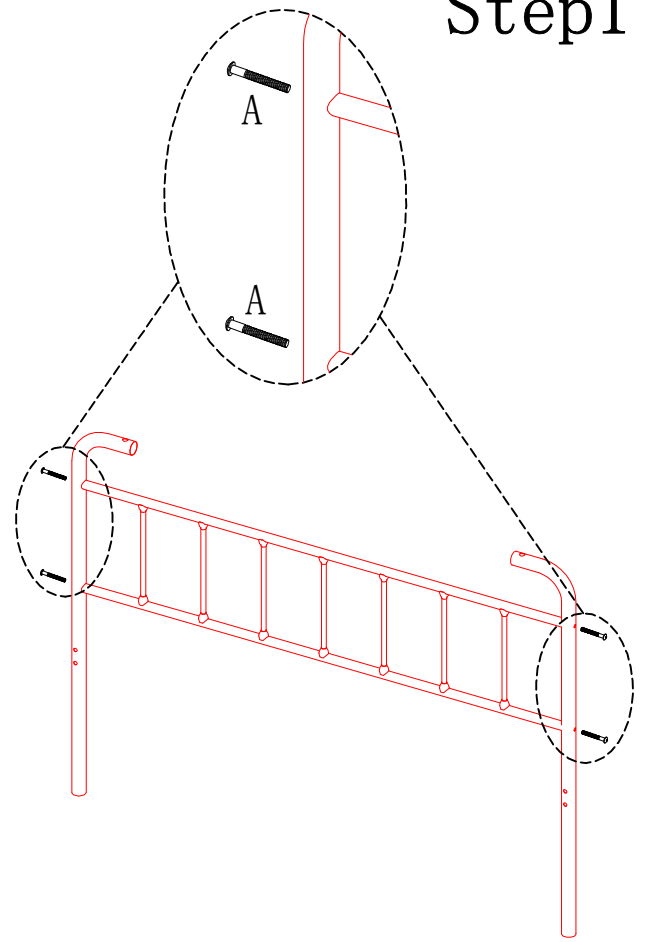
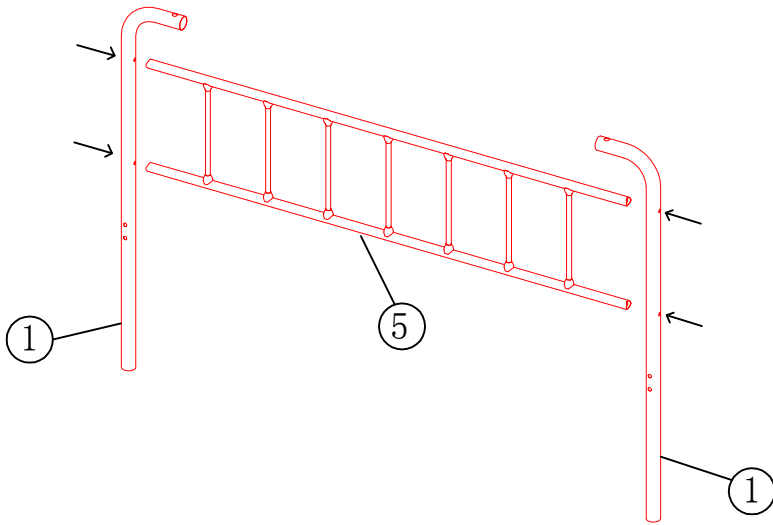
Size: Full/Queen



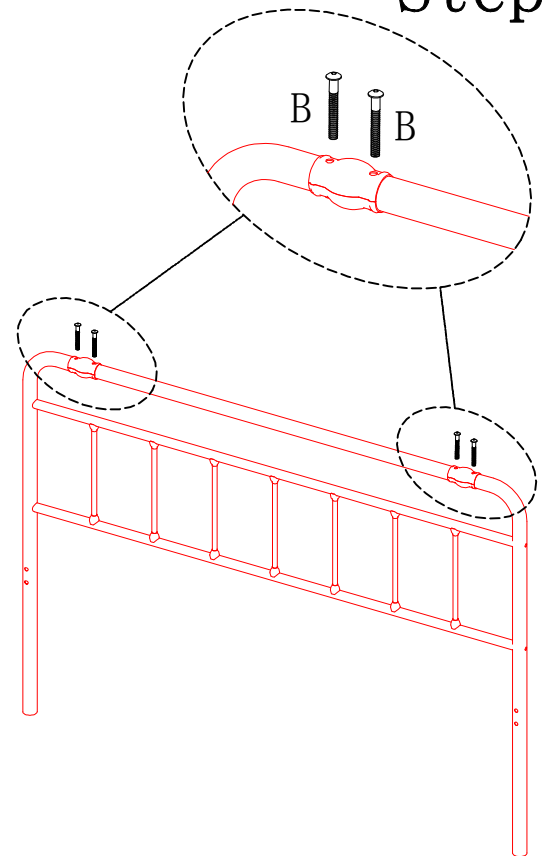
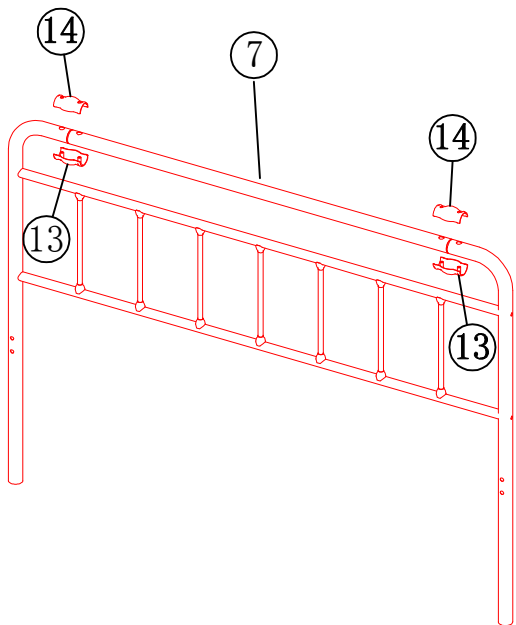
 <p>①*2</p>	 <p>⑦*2</p>	 <p>⑬*4</p>	 <p>⑭*4</p>
 <p>②*2</p>	 <p>⑧*3</p>	 <p>A*9 (M8*56)</p>	 <p>E*4 (M8*60)</p>
 <p>③*2</p>	 <p>⑨*8</p>	 <p>B*9 (M6*35)</p>	 <p>F*1</p>
 <p>⑤*1</p>	 <p>⑩*1</p>	 <p>C*9 (M8*47)</p>	
 <p>⑥*1</p>	 <p>⑮*2</p>	 <p>D*7 (M8*35)</p>	



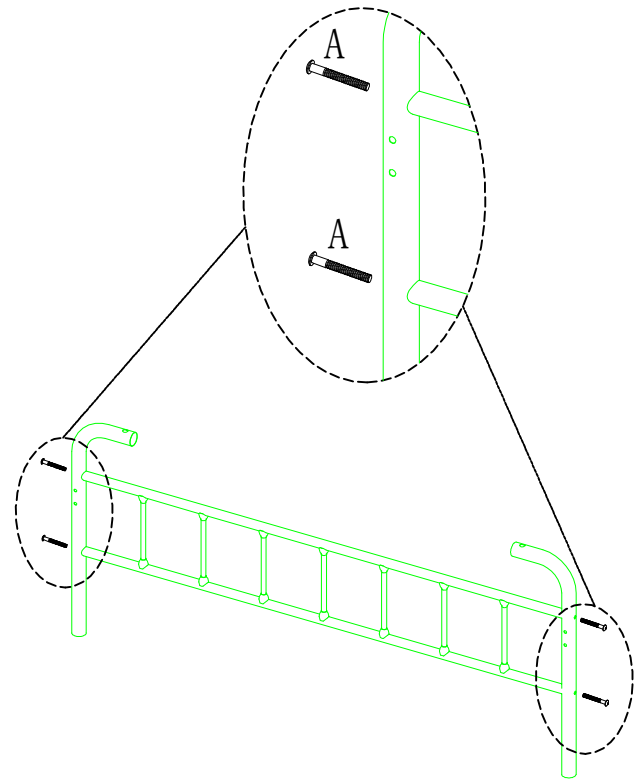
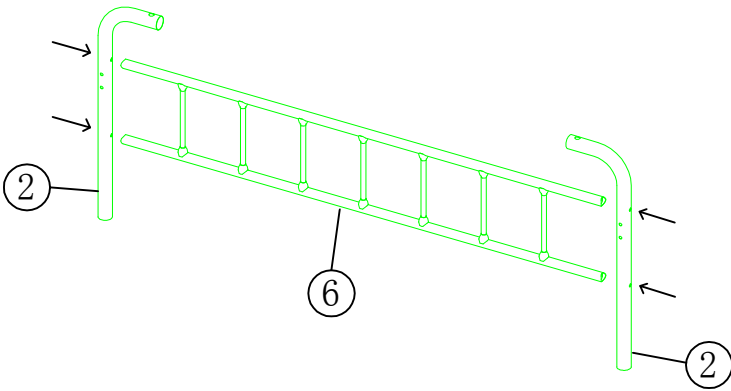
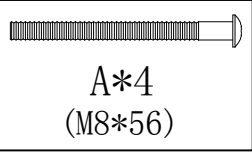
Step1



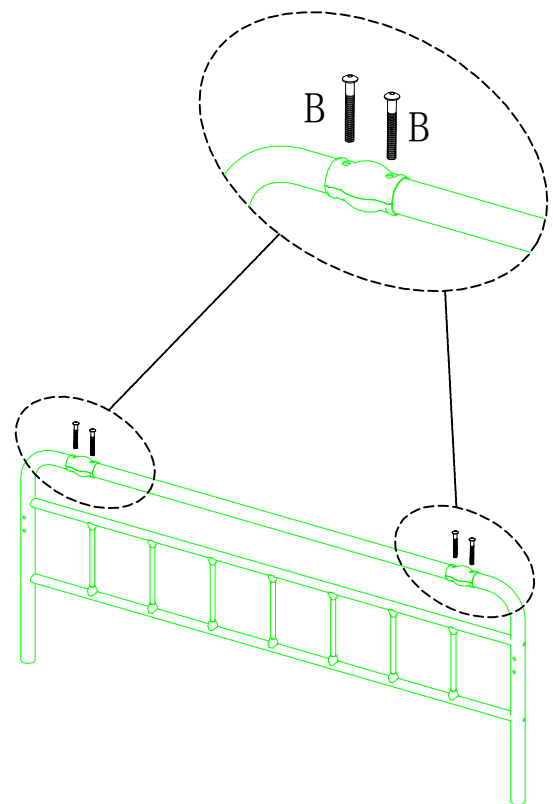
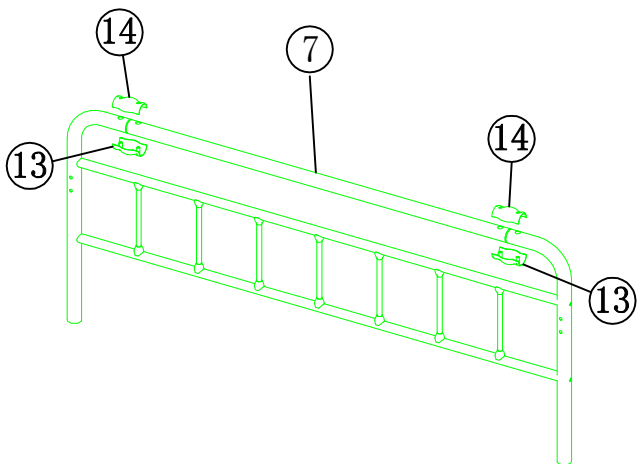
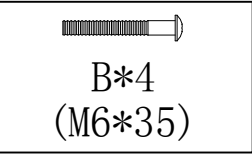
Step2



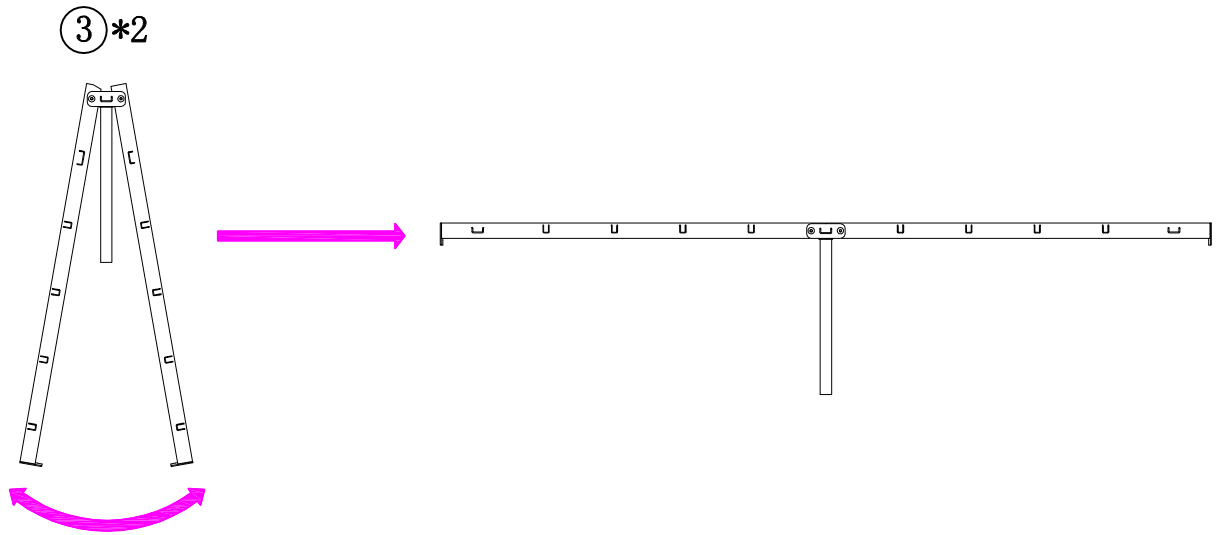
Step3



Step4

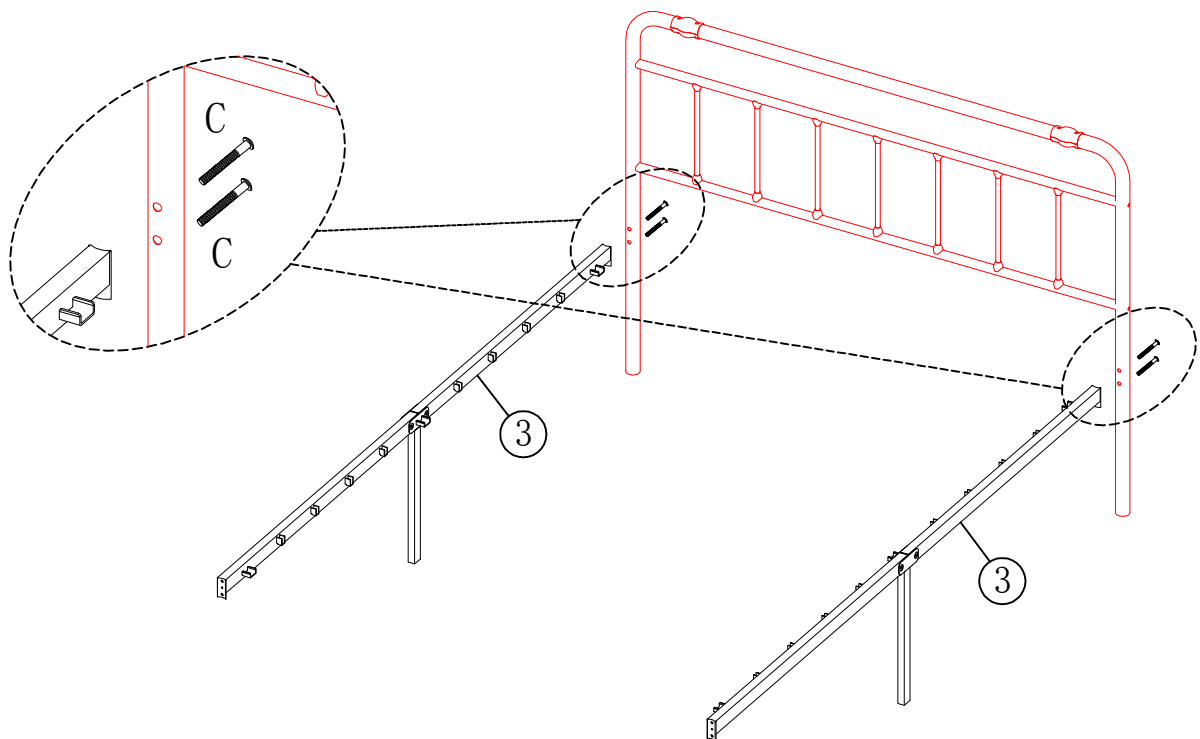


Step5



C*4
(M8*47)

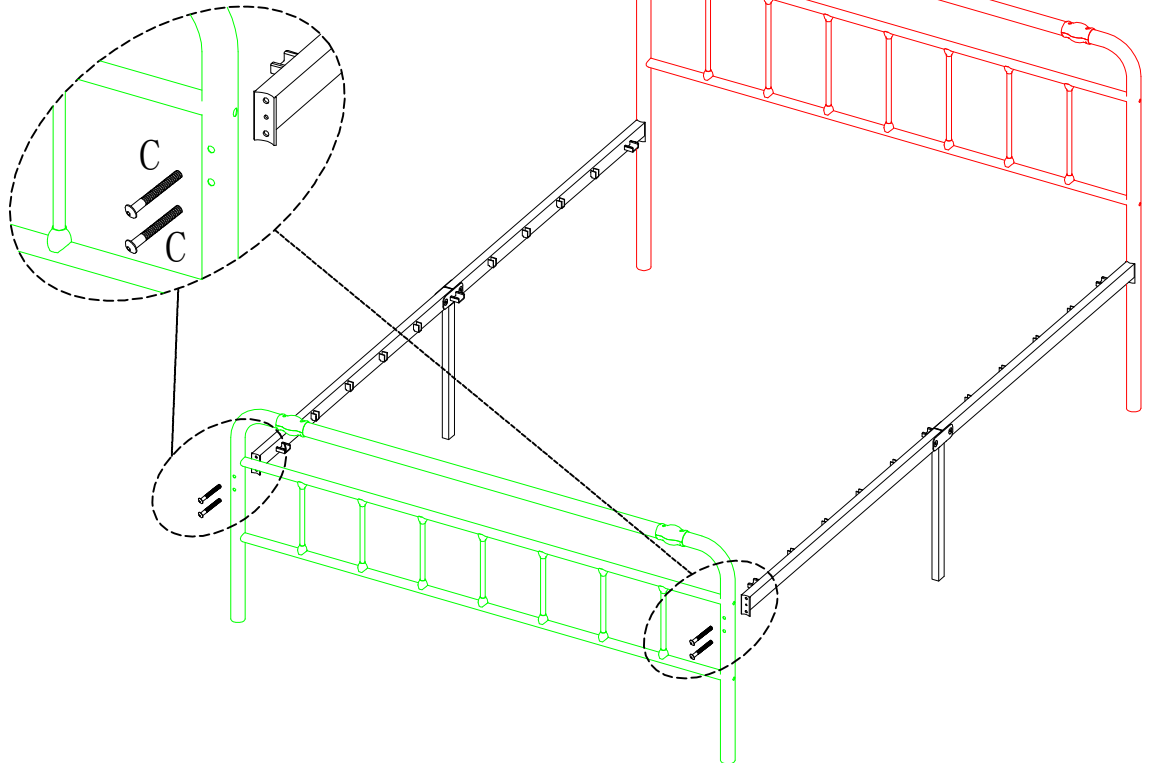
Step6



Step 7



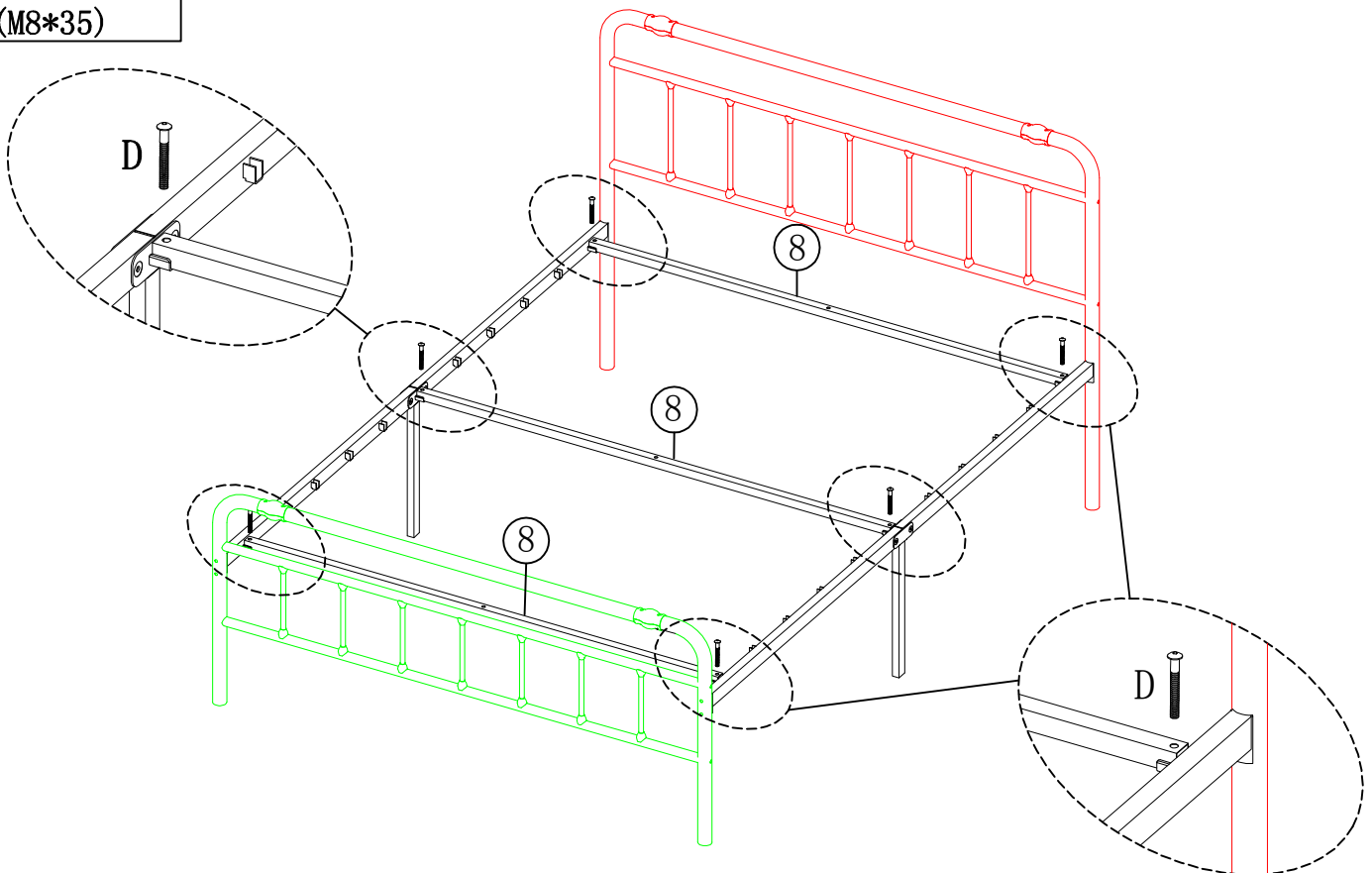
C*4
(M8*47)



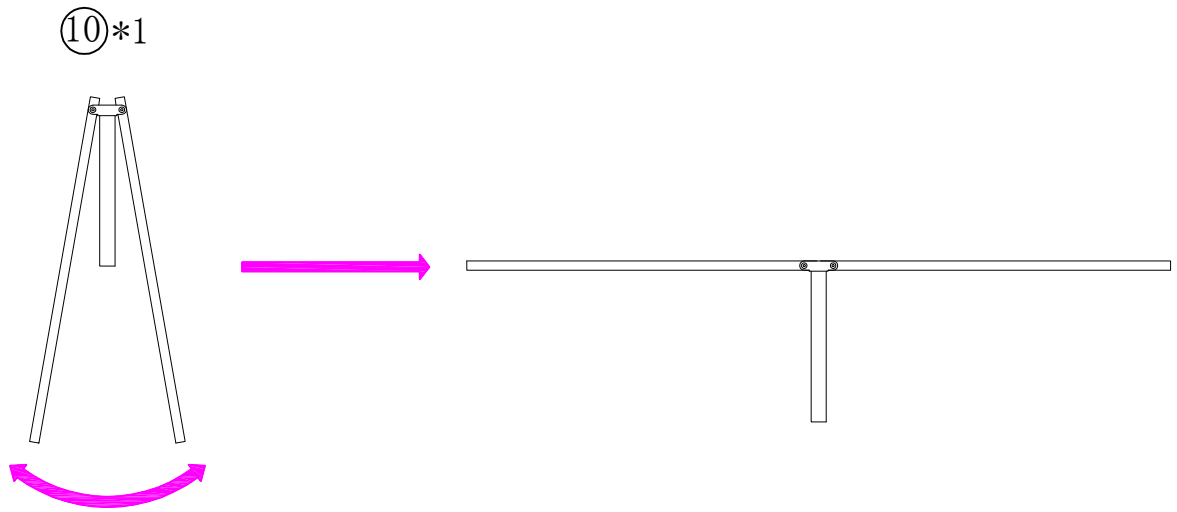
Step 8




D*6
(M8*35)

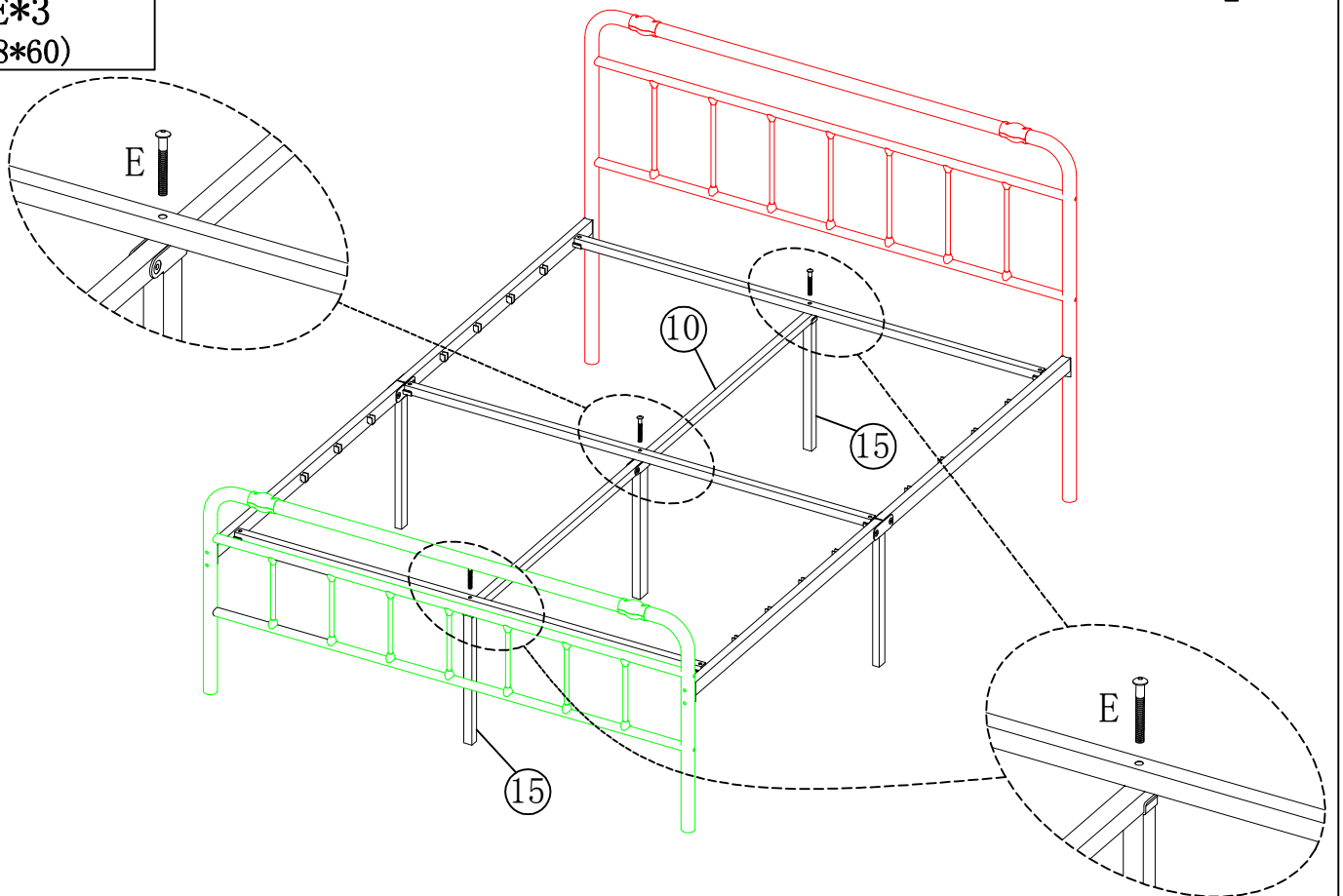


Step9

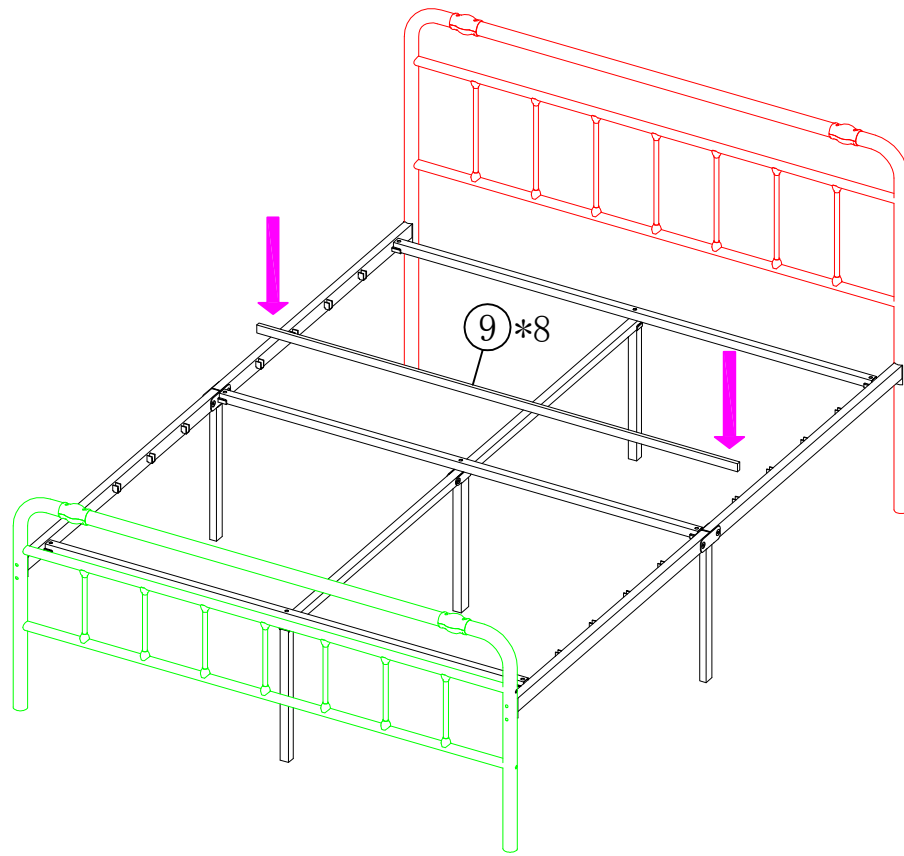



E*3
(M8*60)

Step10



Step11



Step12

