



















Assembly Instructions

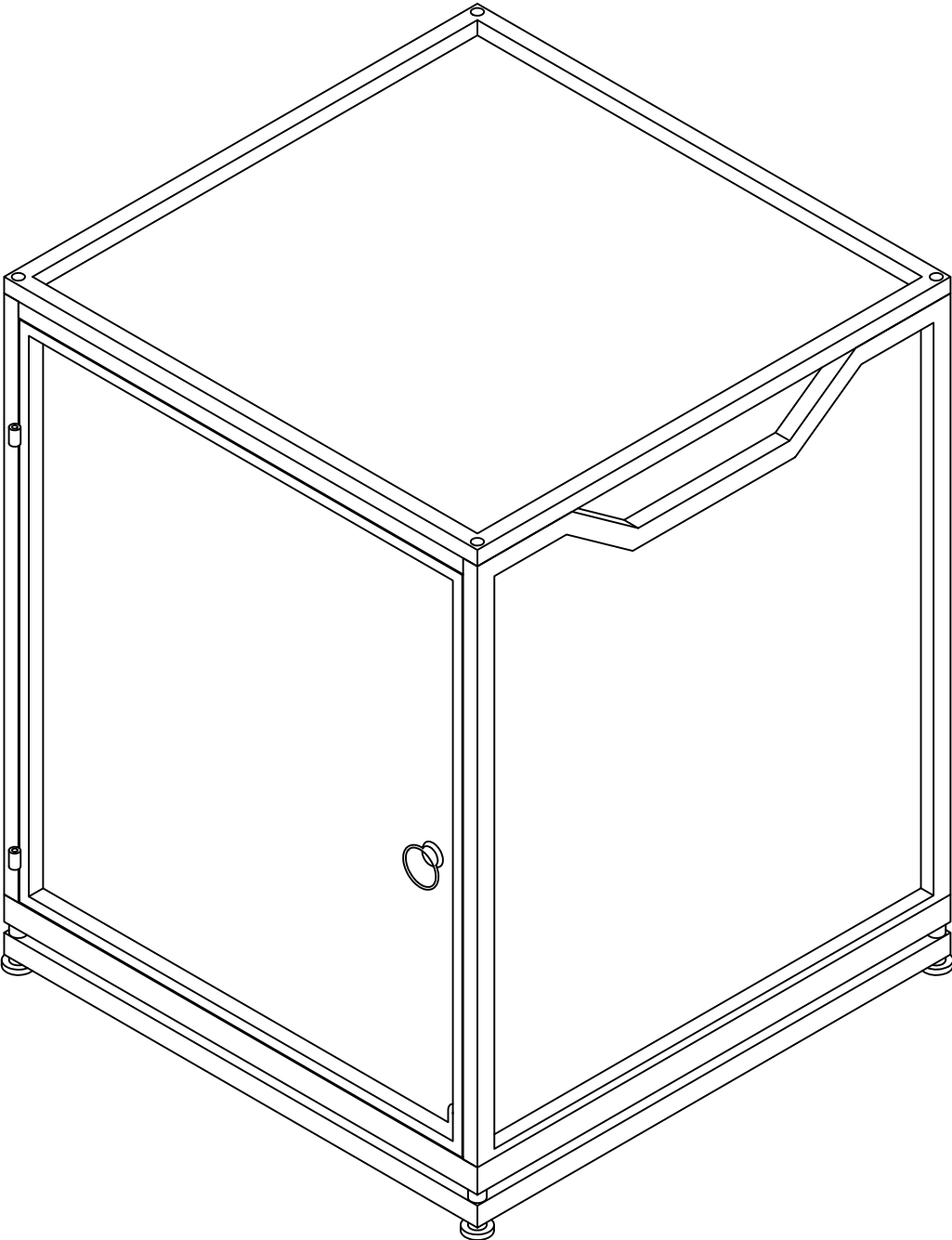
Caution : You must read this before you proceed

Care & Maintenance






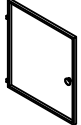
-   ● Not for commercial use. For residential use only.
-   ● Do not put hot items directly on furniture surface.
-   ● Do not clean furniture with harsh cleansers or polish.
-   ● To obtain the longest lifespan of your outdoor products, minimizing exposure to direct sunlight is recommended.
-   ● Children should not climb or jump on the furniture.
-   ● Do not write on furniture without a padded barrier to protect the surface.
-   ● To obtain the longest lifespan of your outdoor products, avoid extended and lengthy exposure to rain, snow, and direct sunshine. Whenever possible cover the product and /or place under patio or awnings.
-   ● Stains may be removed with mild soap solution and damp cloth.
-   ● Dust and pick-up spills using a clean, non-colored, lint-free cloth.

Please look in carton for hardware packs and legs.
Sets often ship in multiple boxes and may arrive a day or two apart.






Tank Holder



Parts List

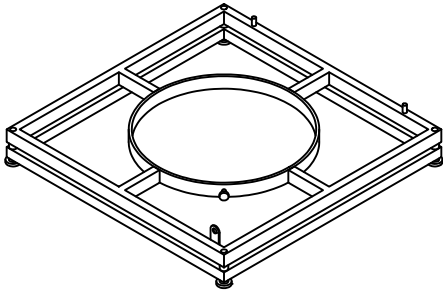
Label	Picture	Description	QTY
A		Base	1
B		Left Side Panel	1
C		Right Side Panel	1
D		Back Panel	1
E		Top Panel	1
F		Front Panel	1

Hardware

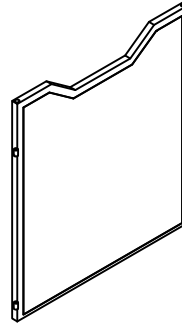
Label	Picture	Description	QTY
①		Long Bolt(M8X60mm)	5
②		Short Bolt(M8X25mm)	4
③		Allen Wrench	1
④		Adjustable Feet	5
⑤		Rubber Stopper	5

Assembly Preparation

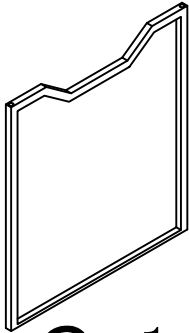
Before Beginning Assembly:



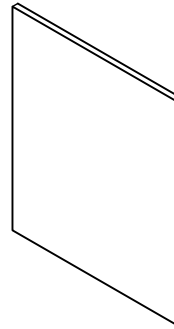
Ax1



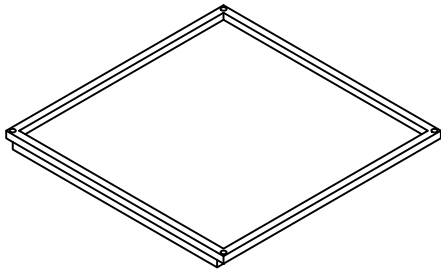
Bx1



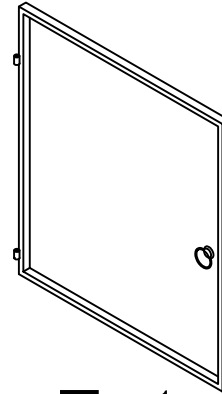
Cx1



Dx1



Ex1



Fx1



①x5



②x4



③x1



④x5



⑤x5



- Read instructions, cover to cover-



- Have 2 adults on hand for assembly-



- Do not assemble on flooring or carpet-



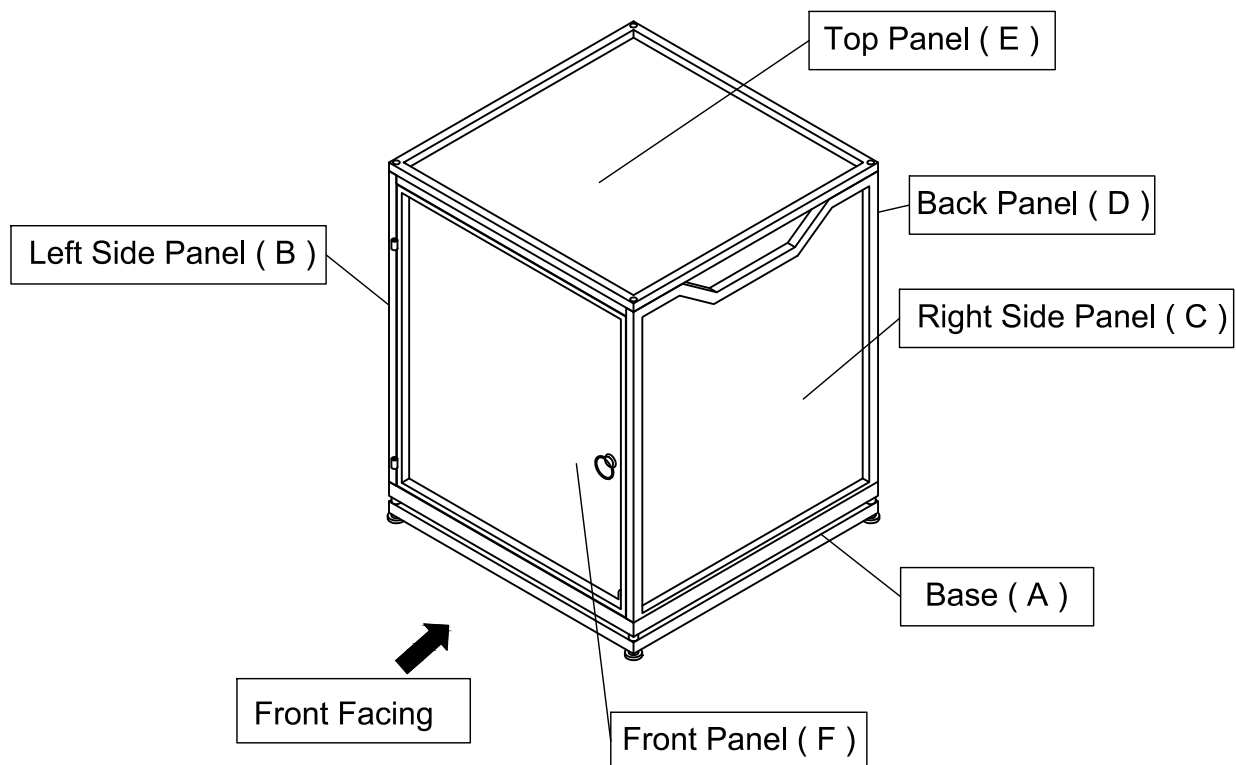
- Assemble on a clean non-marring surface (packing foam)-



- Save all packaging until finished.

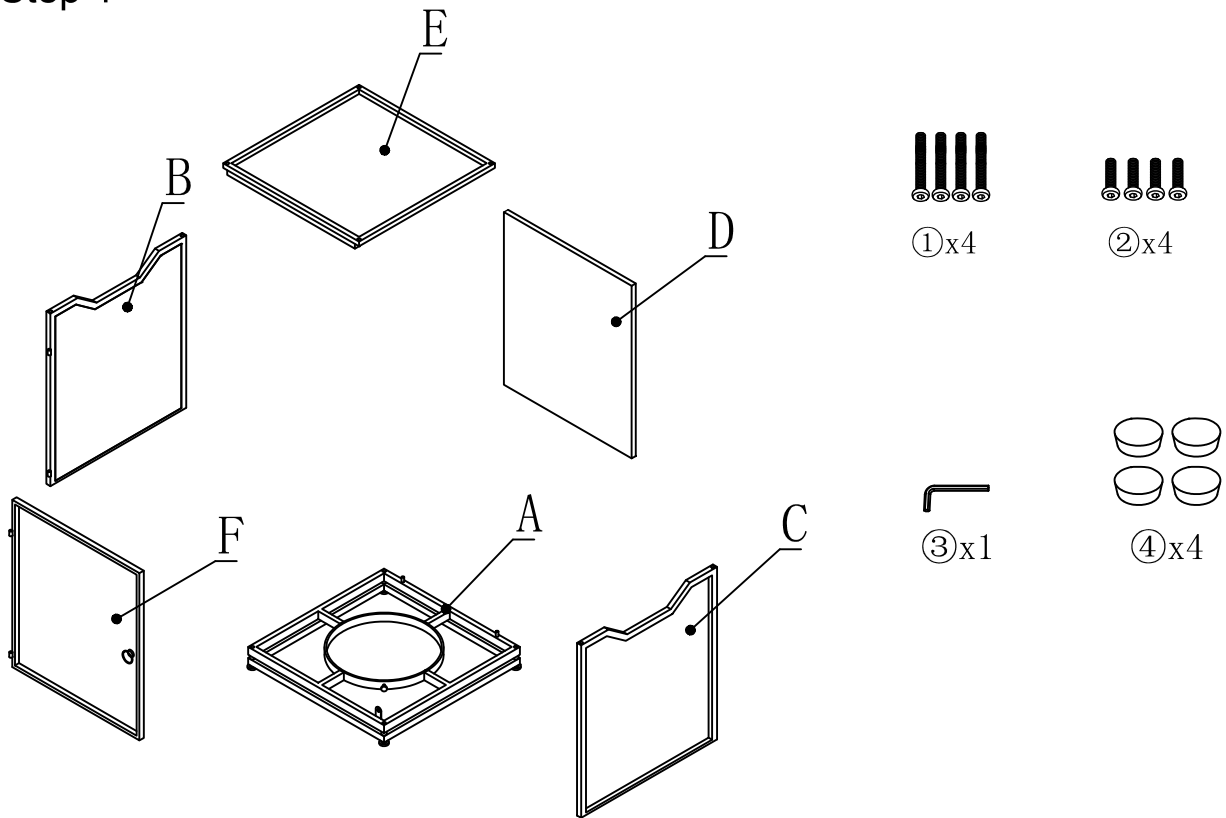
Assembly Steps

Overview:



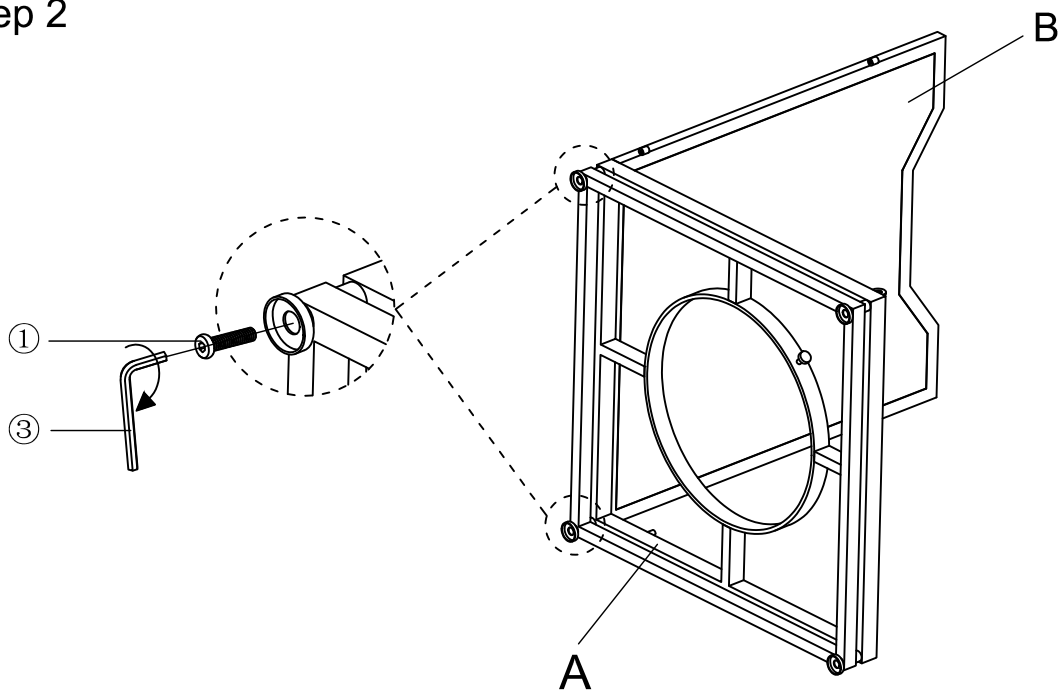
This Tank Holder has multiple parts and may require up to 30 minutes to assemble. To give you an overview of the Tank Holder, the above picture is to help you put the various parts into perspective. Please read through the instructions below to familiarise yourself with the parts and steps before assembly.

Step 1



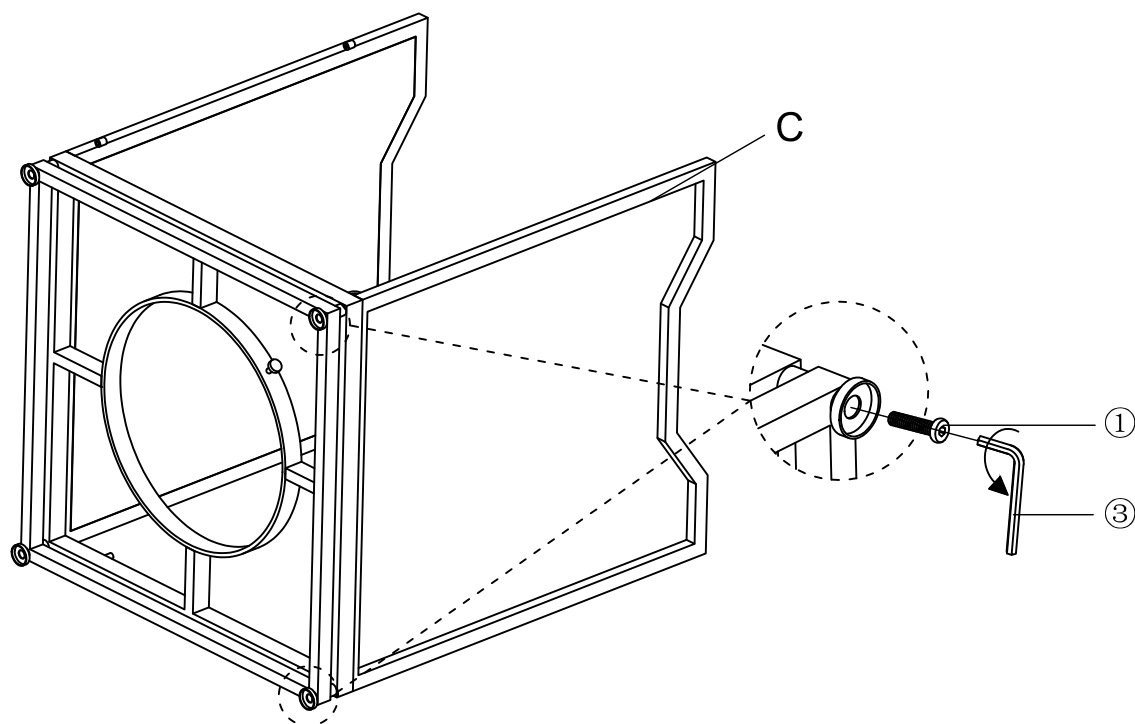
Open the carton and place all the parts on a clean, non-marring surface, as shown above.

Step 2



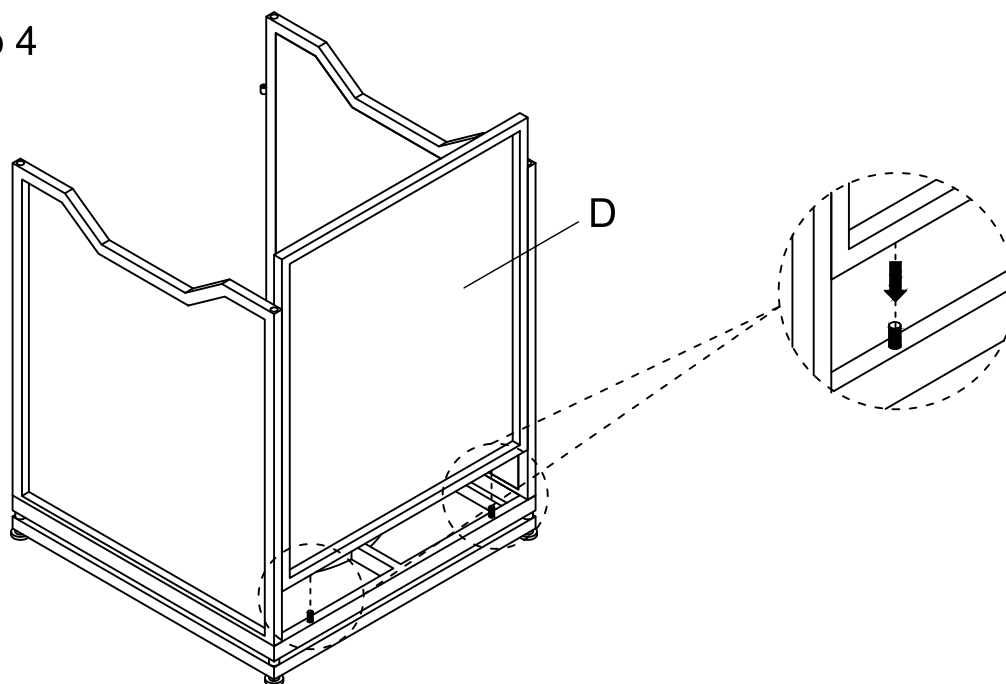
Attach the Base (A) to Left Side Panel (B) using Long Bolt (①) with Allen Wrench (③) as shown above. Do not fully tighten the Bolts.

Step 3



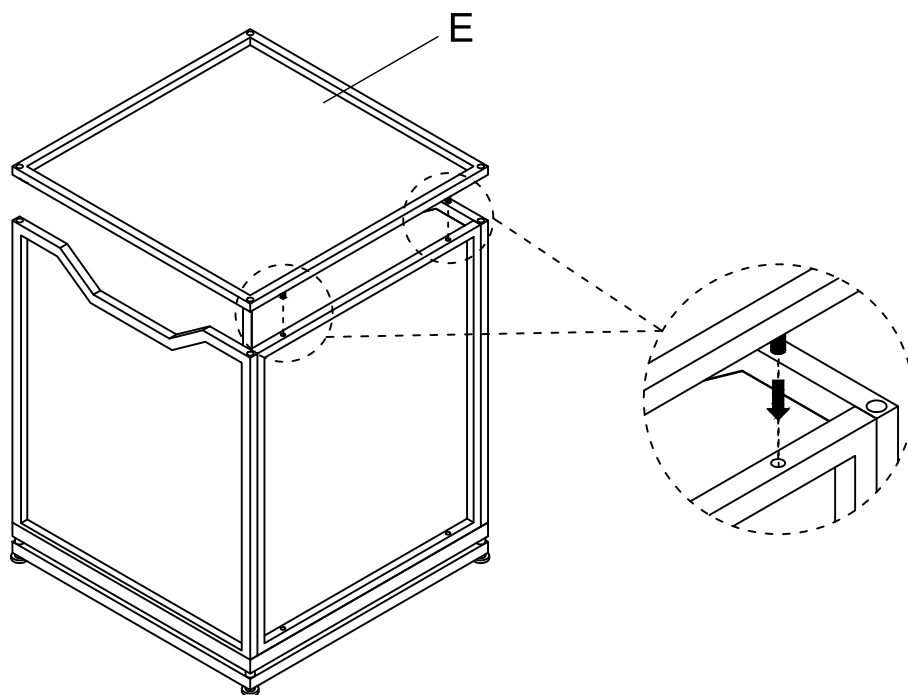
Attach the Base(A) to Right Side Panel (C) using Long Bolt(①) with Allen Wrench(③) as shown above.
Do not fully tighten the Bolts.

Step 4



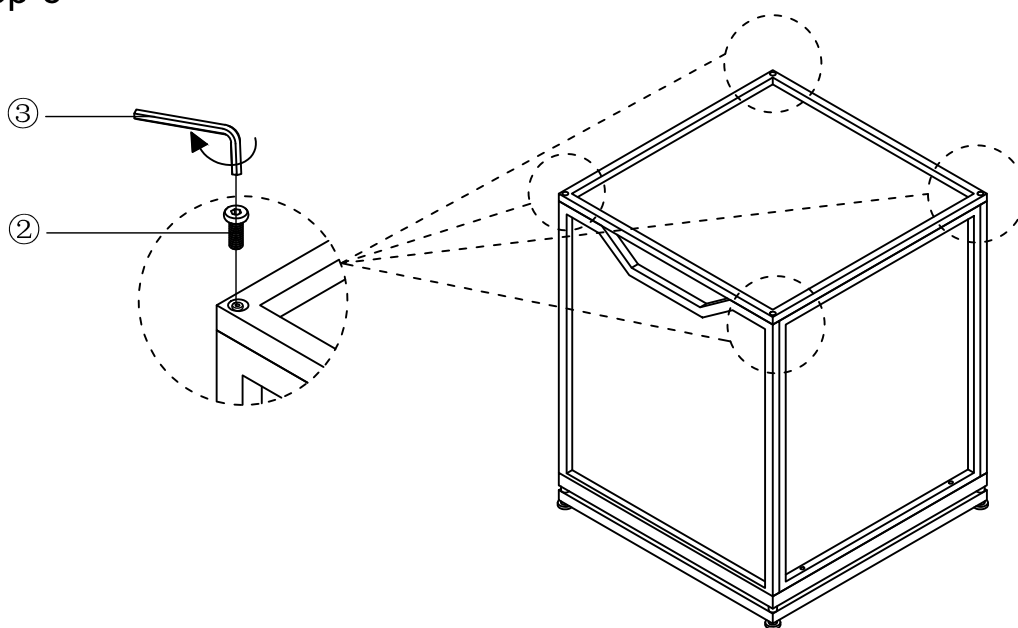
Attach the Base(A) to Back Panel (D) with the holes and fasten as shown above.

Step 5



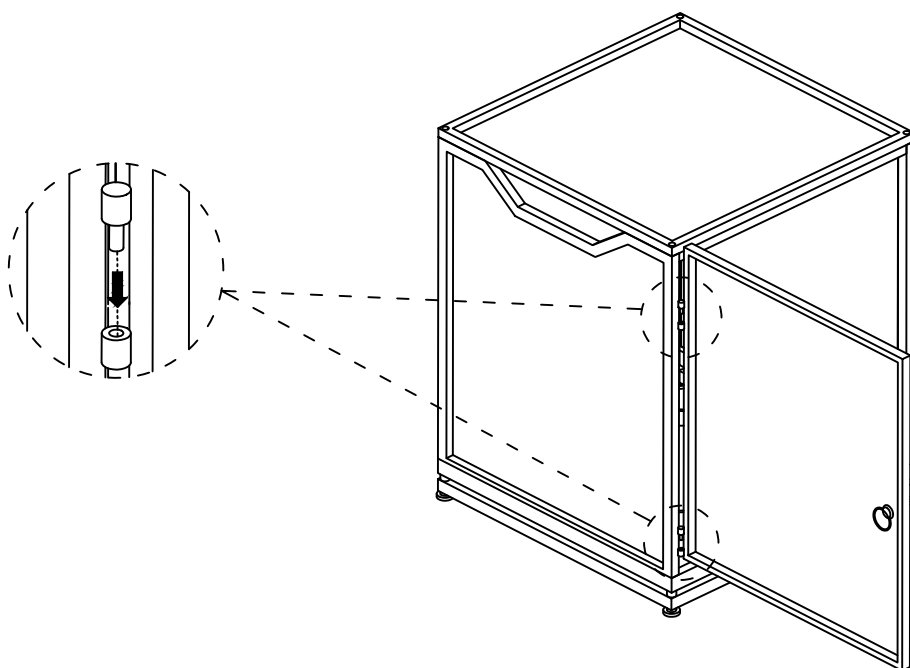
Attach the Top Panel(E) to Back Panel (D) with the holes and fasten as shown above.

Step 6



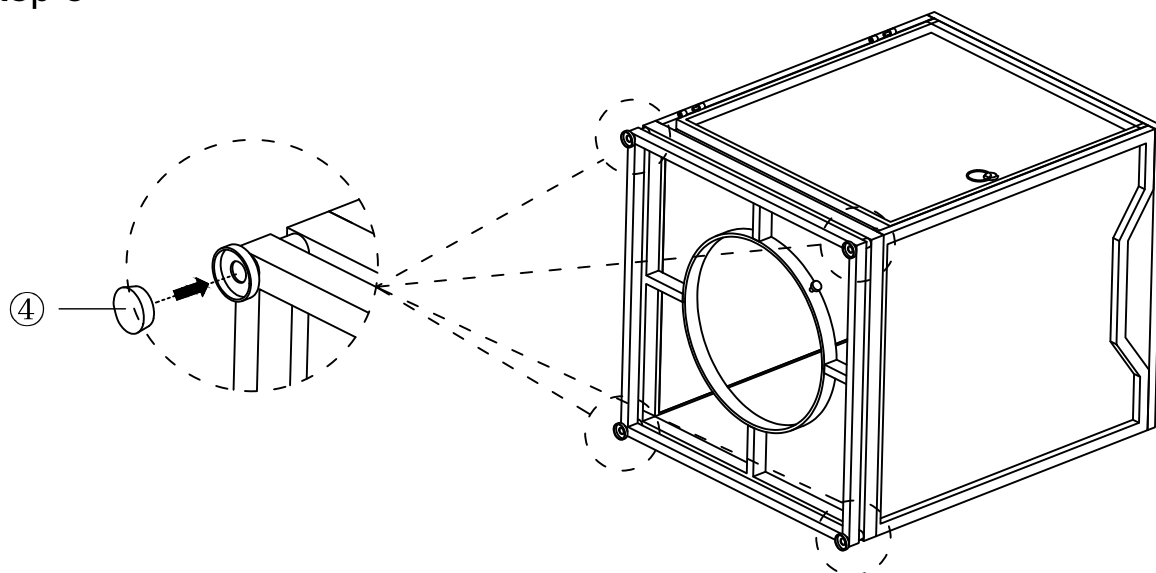
Attach the Top Panel(E) to Left Side Panel(B), Right Side Panel(C) and Back Panel (D) using Short Bolt(②) with Allen Wrench(③) as shown above.
Do not fully tighten the Bolts.

Step 7



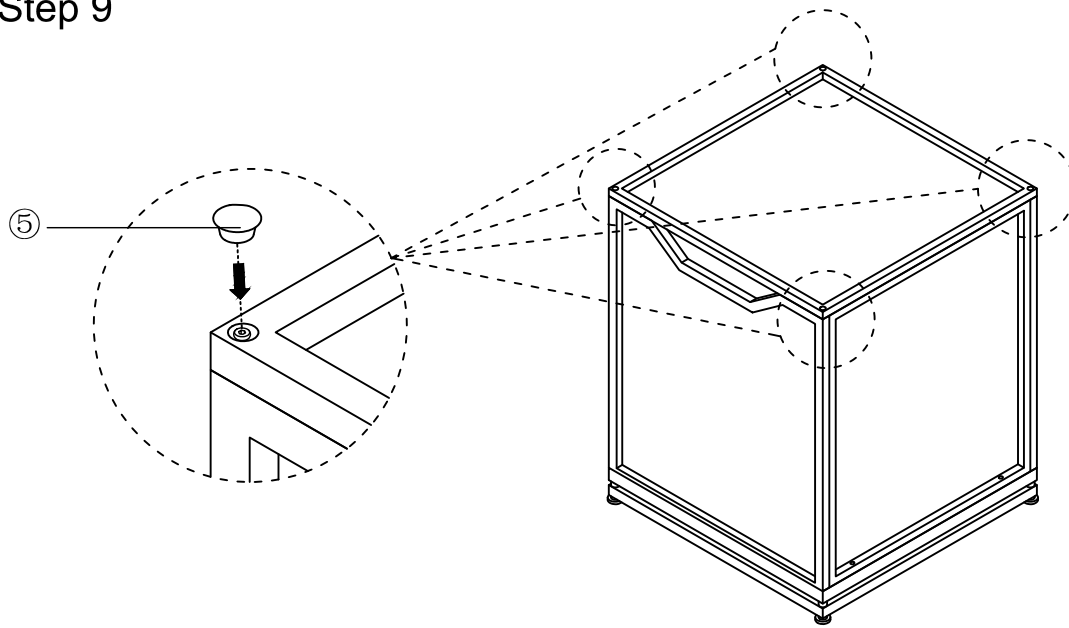
Attach the Front Panel (F) with the hole position and fasten it tightly, as shown above.
Then fully tighten all the Bolts.

Step 8



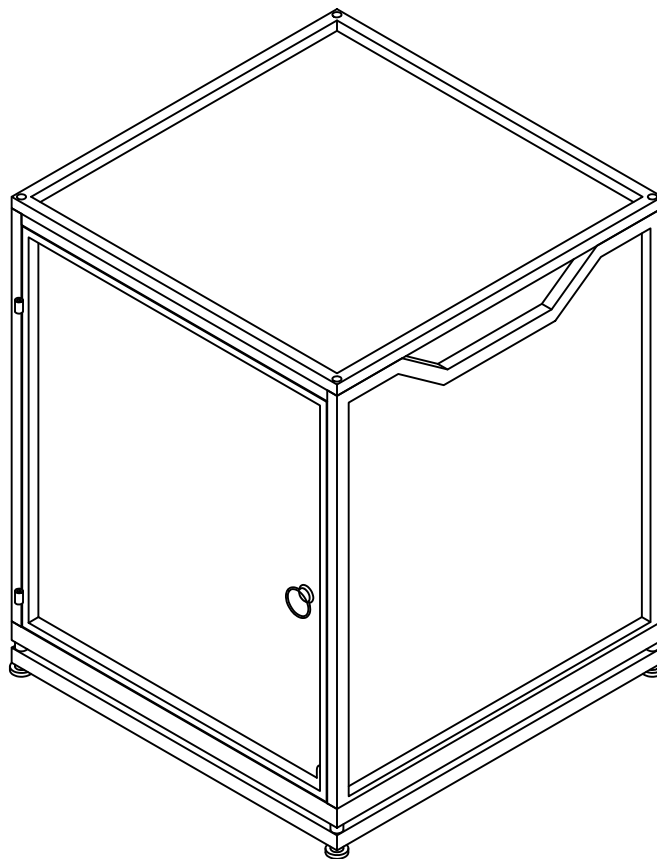
Attach the Adjustable Feet (④) with the bottom and install it, as shown above.

Step 9



Attach the Rubber Stopper (⑤) with the bottom and install it, as shown above.

Step 10



****Caution:****

Your Tank Holder is ready for use. This Tank Holder can only be used on a flat, level surface. Failure to do so may result in instability and potential injury or damage. Please ensure proper placement before use.

Questions & Answers about Proposition 65

- What is Proposition 65?

Proposition 65 requires businesses to provide warnings to Californians about significant exposures to chemicals that cause cancer, birth defects or other reproductive harm. These chemicals can be in the products that Californians purchase, in their homes or workplaces, or that are released into the environment. By requiring that this information be provided, Proposition 65 enables Californians to make informed decisions about their exposures to these chemicals. Proposition 65 also prohibits California businesses from knowingly discharging significant amounts of listed chemicals into sources of drinking water.

Proposition 65 requires California to publish a list of chemicals known to cause cancer, birth defects or other reproductive harm. This list, which must be updated at least once a year, has grown to include approximately 900 chemicals since it was first published in 1987.

- What types of chemicals are on the Proposition 65 list?

The list contains a wide range of naturally occurring and synthetic chemicals that include additives or ingredients in pesticides, common household products, food, drugs, dyes, or solvents. Listed chemicals may also be used in manufacturing and construction, or they may be byproducts of chemical processes, such as motor vehicle exhaust.

- What does a warning mean?

If a warning is placed on a product label or posted or distributed at a workplace, a business, or in rental housing, the business issuing the warning is aware or believes that it is exposing individuals to one or more listed chemicals.

By law, a warning must be given for listed chemicals unless the exposure is low enough to pose no significant risk of cancer or is significantly below levels observed to cause birth defects or other reproductive harm.

- Where can I get more information on Proposition 65?

If you have specific questions on the administration or implementation of Proposition 65, you can contact OEHHA's Proposition 65 program at P65.Questions@oehha.ca.gov, or by phone at (916) 445-6900.