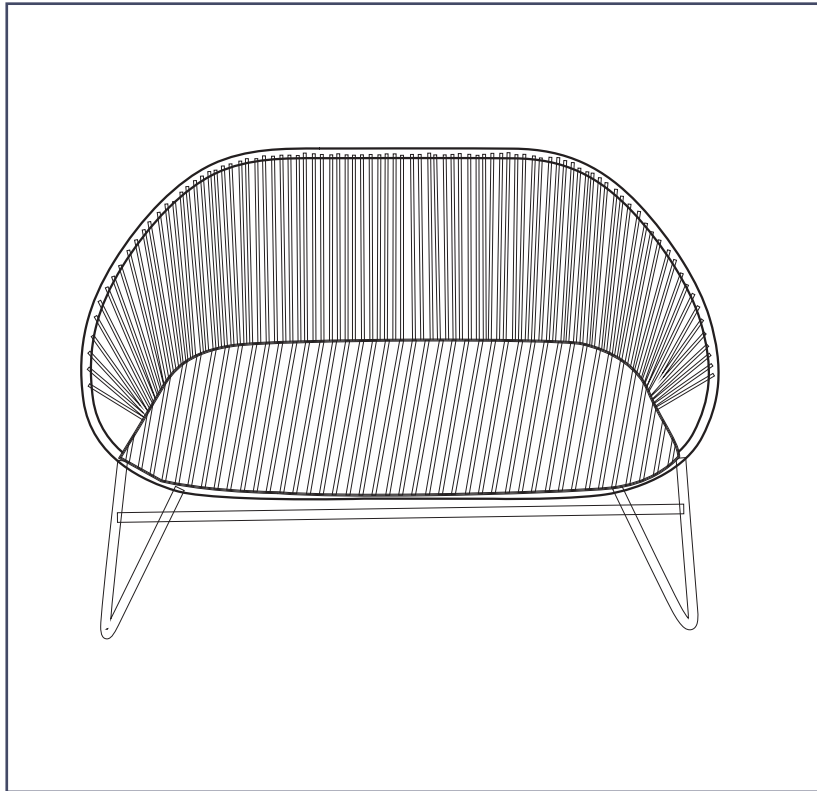
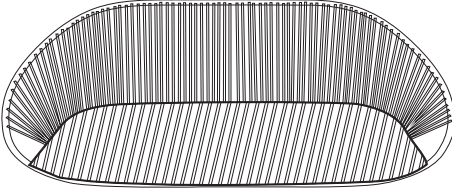
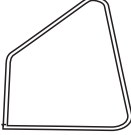
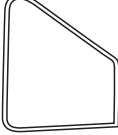


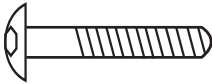
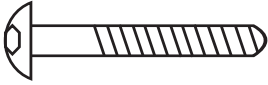

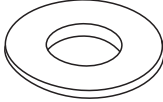


Assembly Instructions

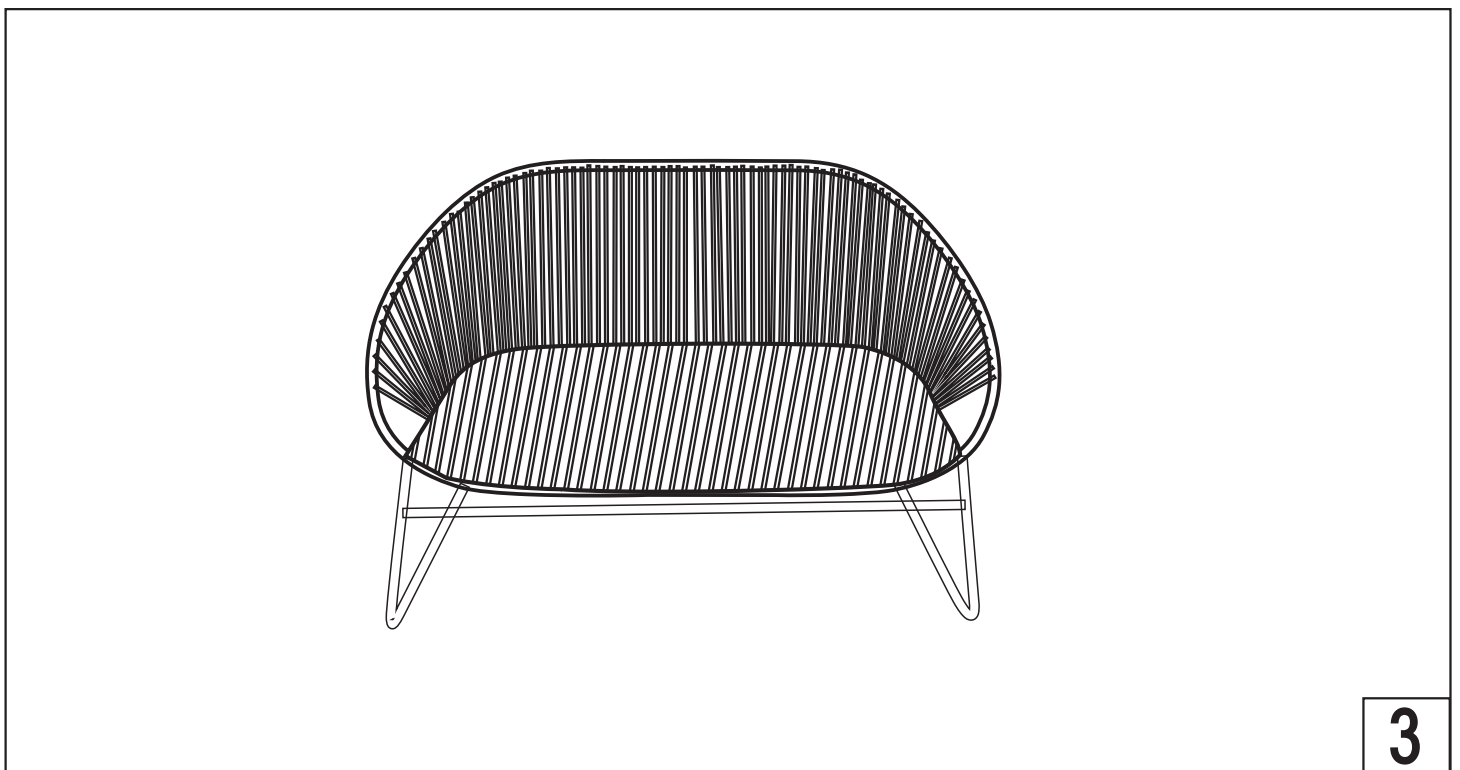
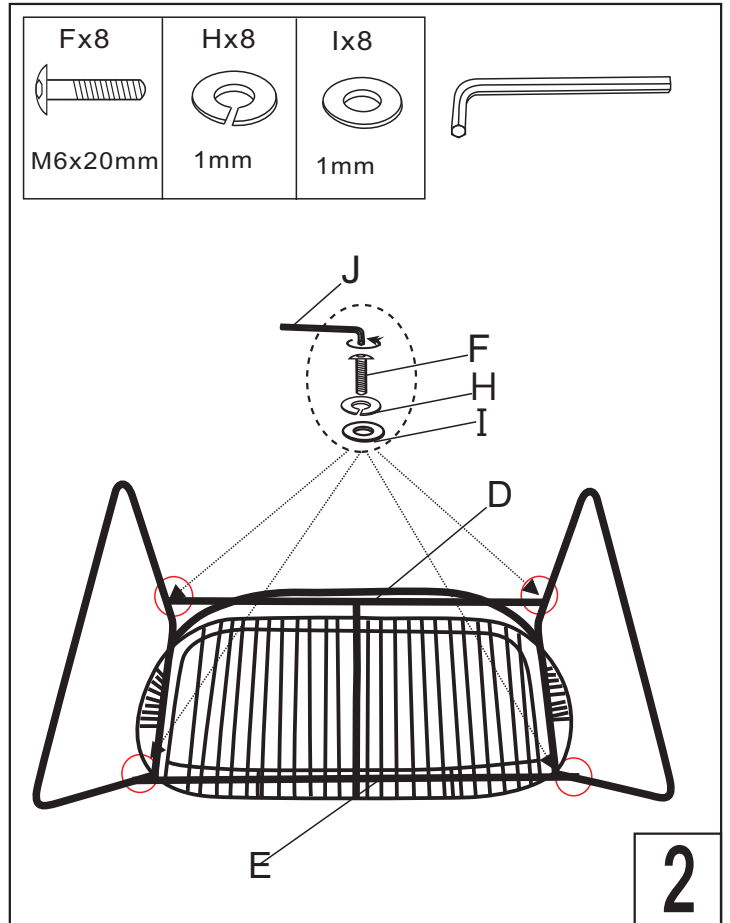
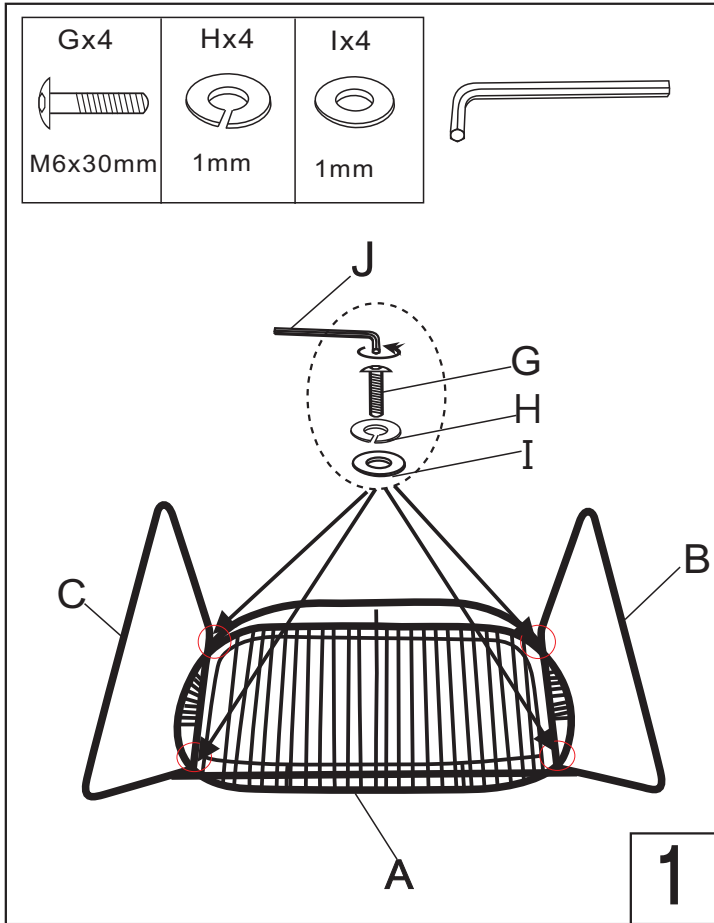


Please Read All Instructions Thoroughly Before Starting Assembly

Lounge Components

No	PARTS LIST	QTY PCS
A		1
B		1
C		1
D		1
E		1
F		8
G		4
H		12
I		12
J		1

Bench Assembly



Care & Maintenance

To extend the product life and appearance please store the furniture in a cool, dry, well-ventilated place indoors over winter or during periods of unseasonal weather.

Ensure that the furniture is clean and completely dry before putting into storage.

Do NOT enclose the product in a non-permeable material.

Warnings!

For domestic outdoor use only.

We suggest you retain these instructions for future reference.

Keep fittings out of children's reach and keep children well away from construction area.

Please periodically check all fittings and re-tighten as necessary.

This product should only be used on firm, level ground. Make sure the legs remain in contact with the ground.

Do's

Do spend a short time reading through this leaflet before you start.

Do check that you have all the parts before beginning assembly.

Do make sure that you have the right tools and plenty of space.

Do unwrap all packaging materials and place the components on a clean surface to protect it from damage, we recommend that the packaging is used to protect the surfaces during assembly.

Do retain the assembly tools. You will need them in the future to re-tighten the bolts, or if you want to dismantle the furniture for storage.

Do make sure that the product is clean and dry before putting it into storage.

Do use a cover to protect your lounge when not in use.

Do use mild detergent in warm water with a soft cloth to clean. Rinse with clean water and dry thoroughly.

Don'ts

- Don't use abrasive cleaners ,strong detergents ,bleach ,acid or solvents on the frame parts.
- Don't use silicone based furniture polish.
- Don't stand on your lounger.
- Don't drag the lounger when moving it, as this will cause damage to the joints.
- Don't leave the lounger outside during bad weather and winter months it should be stored in a cool dry place.