


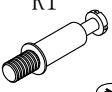


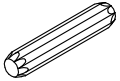



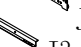

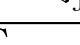
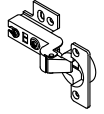
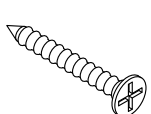

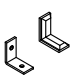

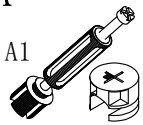

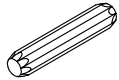
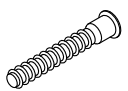
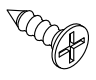
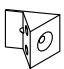

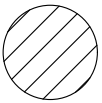
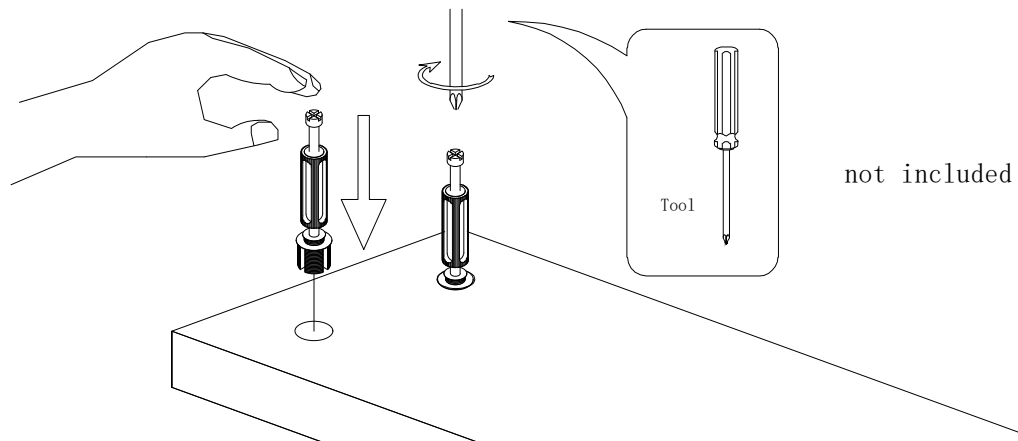


O	 2PCS	P	 8PCS	Q	 2PCS	R	R1  R2  16PCS	S	 2PCS	T	6*30  6PCS		
H	 2PCS	I	4*18  5PCS	J	250mm J1  J2  J3  J4  1PC	K	 2PCS	L	3.5*30  12PCS	M	 1PC	N	N1  N2  2PCS
A	A1  A2  32PCS	B	8*40  18PCS	C	7*50  4PCS	D	3.5*14  30PCS	E	 16PCS	F	3*12  20PCS	G	 8PCS

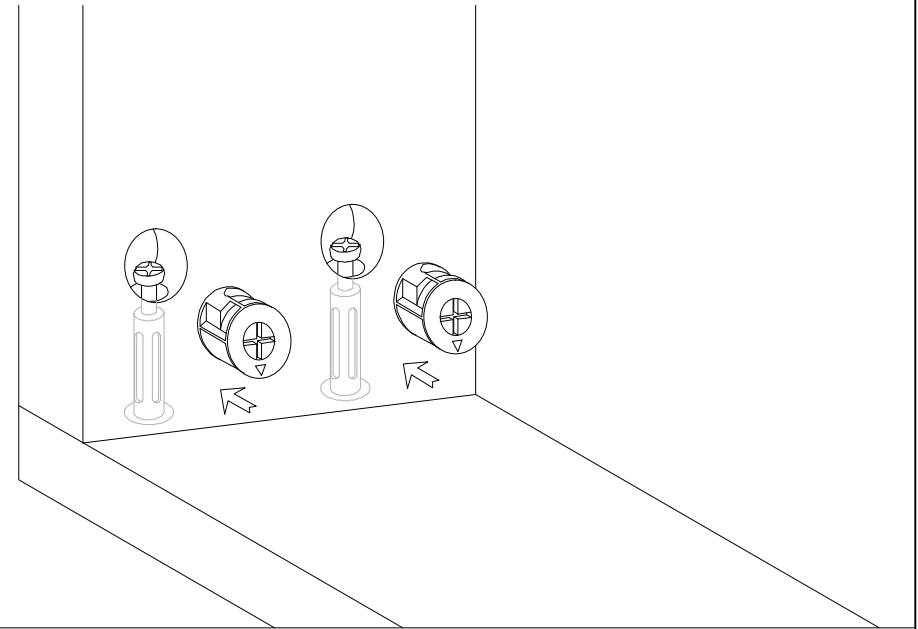
Hardware installation demonstration

NOTE: Please make sure "A" hardware tightened and can't be pulled out!

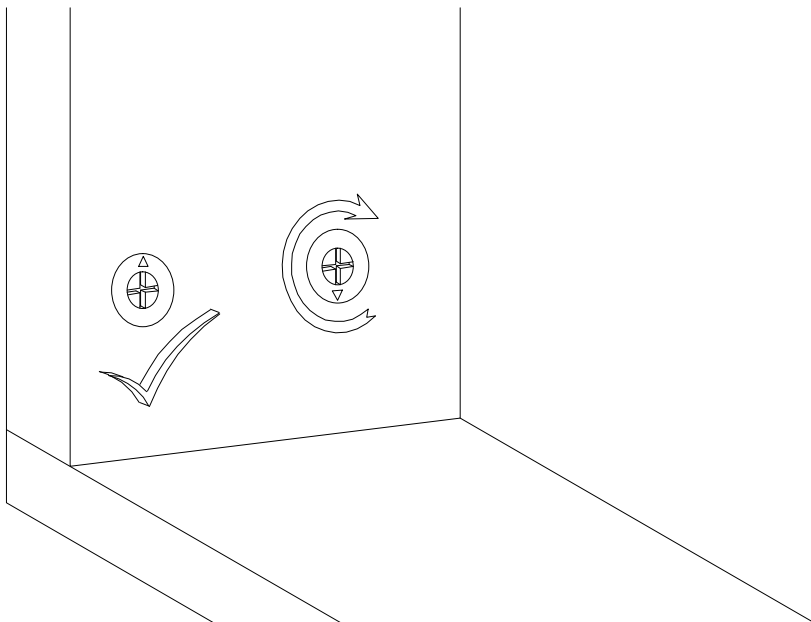
I

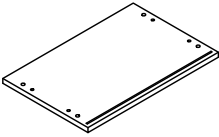
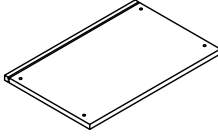
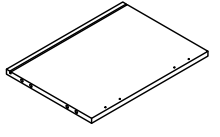
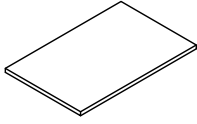
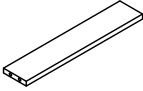
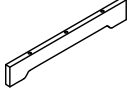
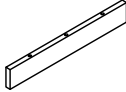
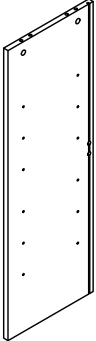
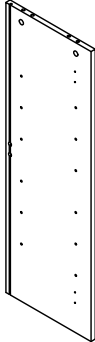



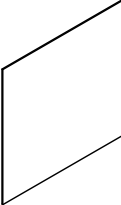
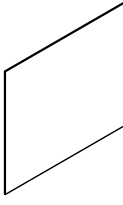
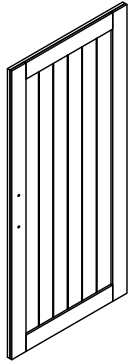
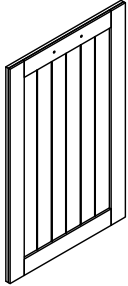

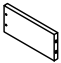
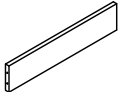



II



III



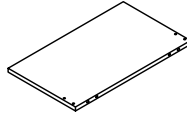
<p>1</p>  <p>460*300(mm) 18.11*11.81(inch) 1PC</p>	<p>2</p>  <p>460*300(mm) 18.11*11.81(inch) 1PC</p>	<p>3</p>  <p>410*300(mm) 16.14*11.81(inch) 1PC</p>	<p>4</p>  <p>408*265(mm) 16.06*10.43(inch) 2PCS</p>
<p>5</p>  <p>410*80(mm) 16.14*3.15(inch) 1PC</p>	<p>6</p>  <p>410*60(mm) 16.14*2.36(inch) 1PC</p>	<p>7</p>  <p>410*60(mm) 16.14*2.36(inch) 1PC</p>	<p>8</p>  <p>885*300(mm) 34.84*11.81(inch) 1PC</p>
<p>9</p>  <p>885*300(mm) 34.84*11.81(inch) 1PC</p>	<p>10</p>  <p>885*300(mm) 34.84*11.81(inch) 1PC</p>	<p>11</p>  <p>885*300(mm) 34.84*11.81(inch) 1PC</p>	<p>12</p>  <p>410*80(mm) 16.14*3.15(inch) 2PCS</p>
<p>13</p>  <p>420*412(mm) 16.54*16.22(inch) 2PCS</p>	<p>14</p>  <p>420*374.5(mm) 16.54*14.74(inch) 2PCS</p>	<p>15</p>  <p>881*406(mm) 34.69*15.98(inch) 1PC</p>	<p>16</p>  <p>654*406(mm) 25.75*15.98(inch) 1PC</p>
<p>17</p>  <p>177*80(mm) 6.97*3.15(inch) 1PC</p>	<p>18</p>  <p>177*80(mm) 6.97*3.15(inch) 1PC</p>	<p>19</p>  <p>380*80(mm) 14.96*3.15(inch) 1PC</p>	<p>20</p>  <p>534.5*60(mm) 21.04*2.36(inch) 1PC</p>

21



534.5*60(mm) 21.04*2.36(inch) 1PC

22



406*237(mm) 15.98*9.33(inch) 1PC

23



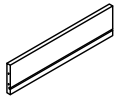
250*90(mm) 9.84*3.54(inch) 1PC

24



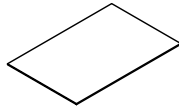
250*90(mm) 9.84*3.54(inch) 1PC

25



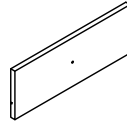
361*90(mm) 14.21*3.54(inch) 1PC

26



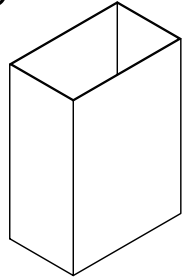
367*243(mm) 14.45*9.57(inch) 1PC

27

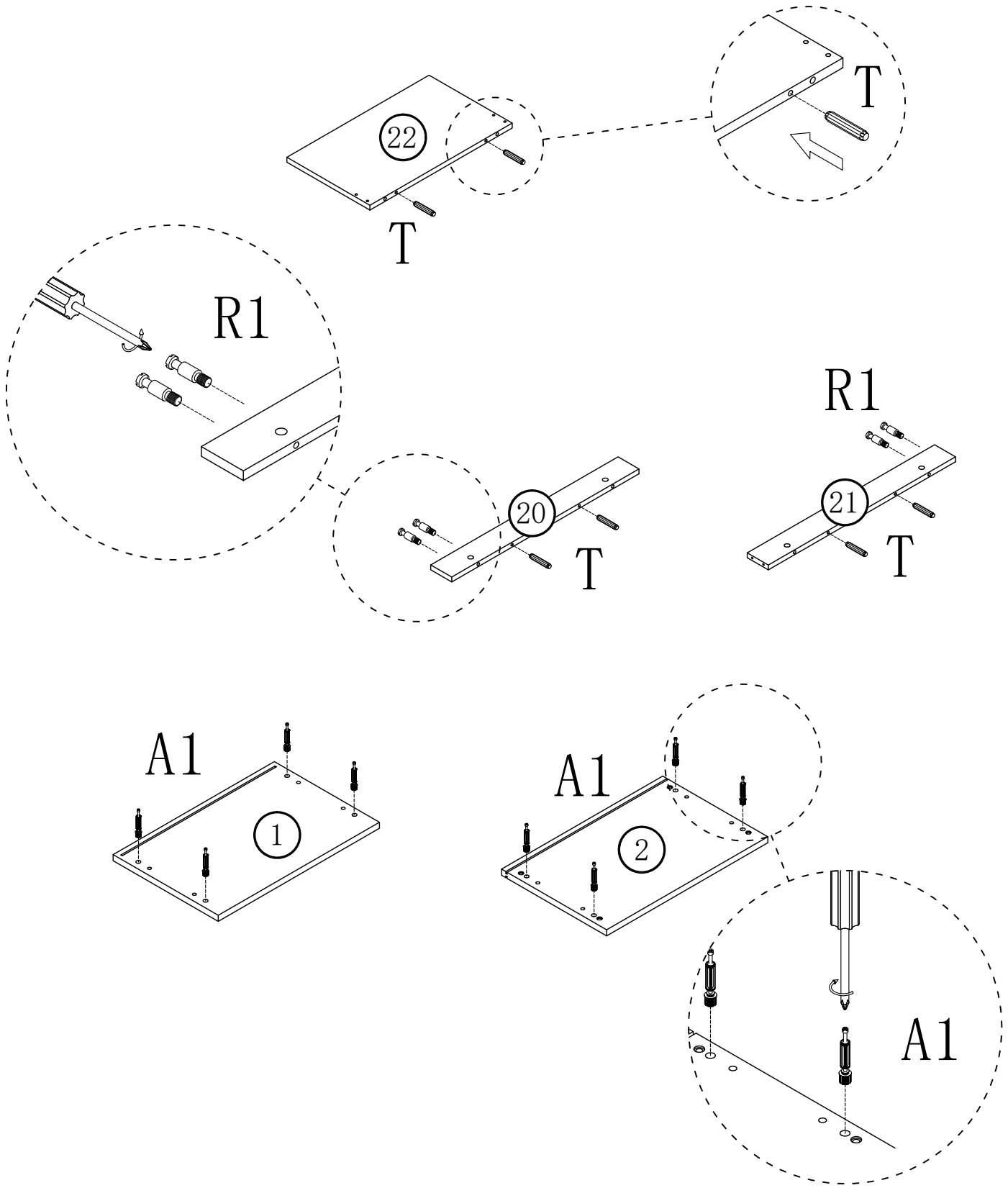


406*147(mm) 15.98*5.79(inch) 1PC

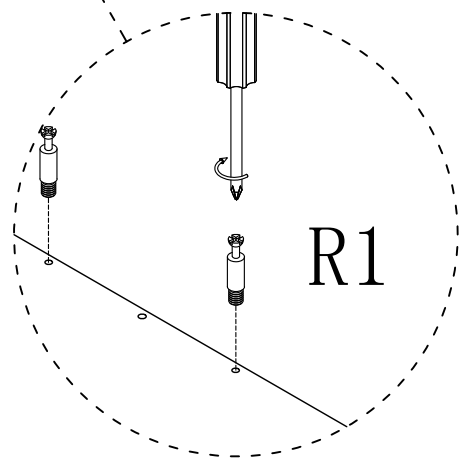
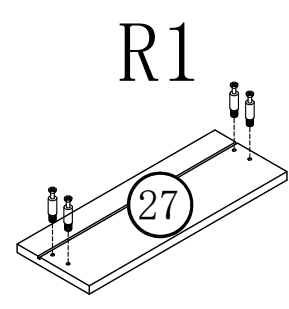
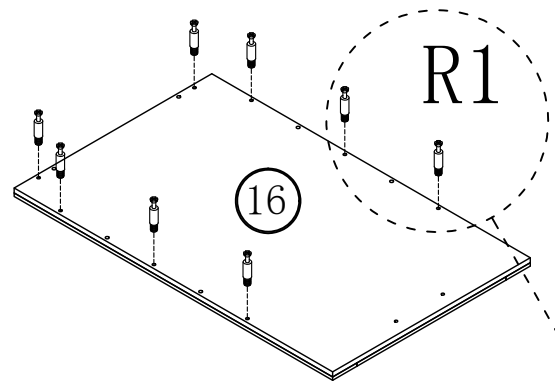
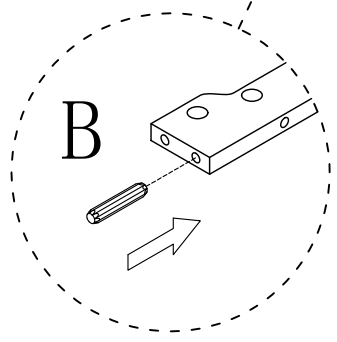
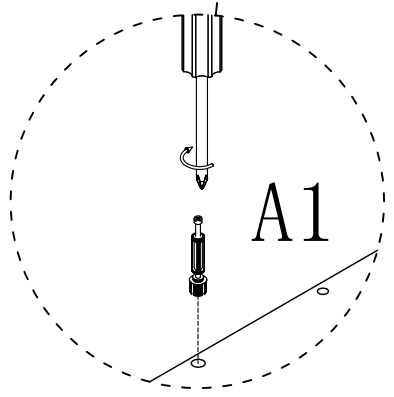
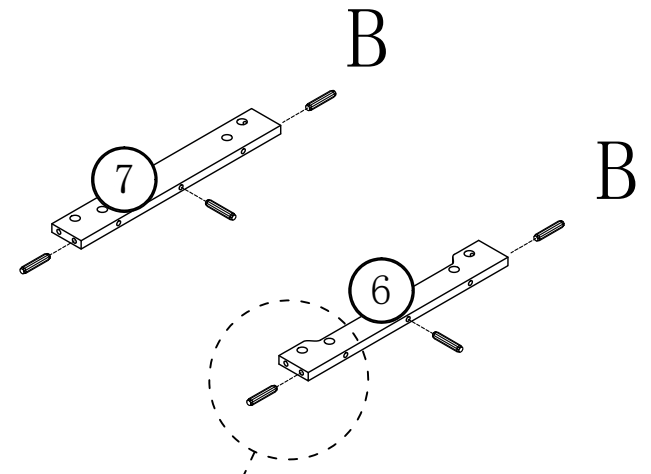
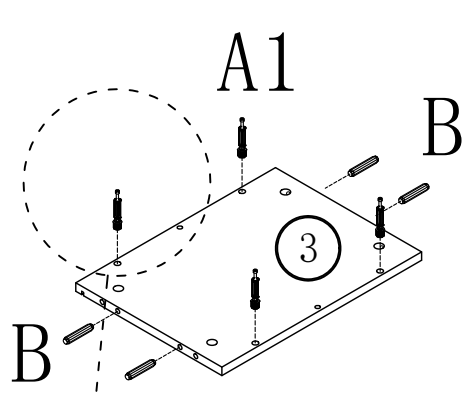
28

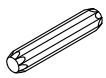
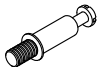
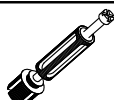


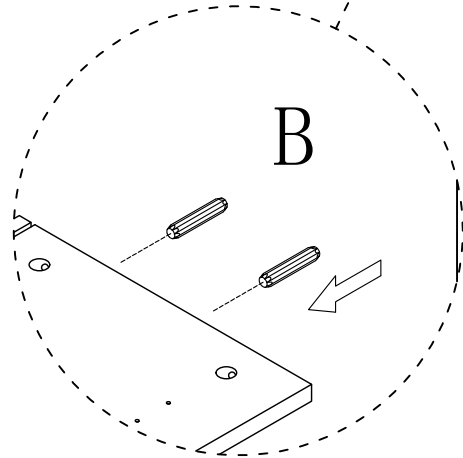
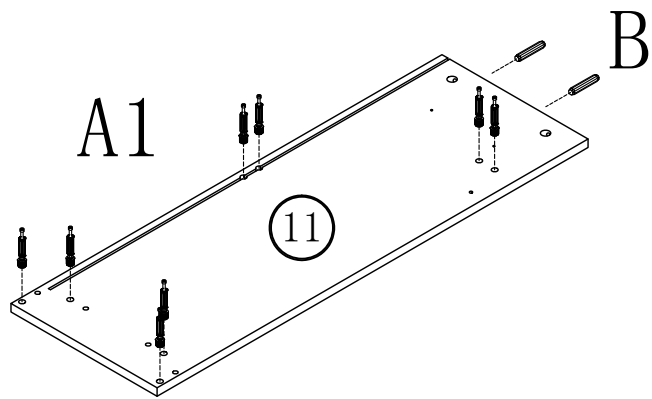
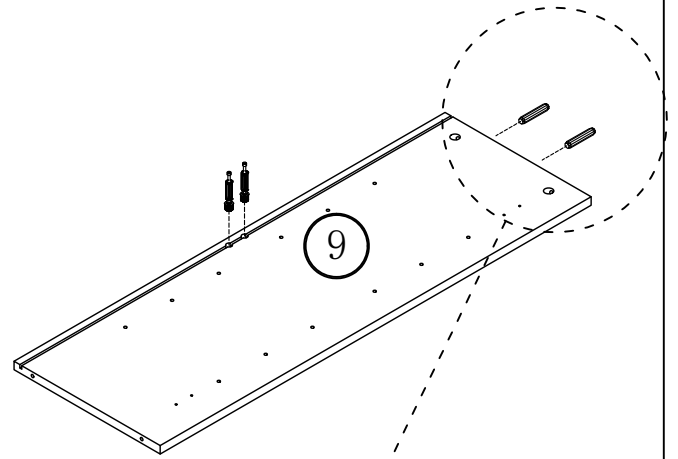
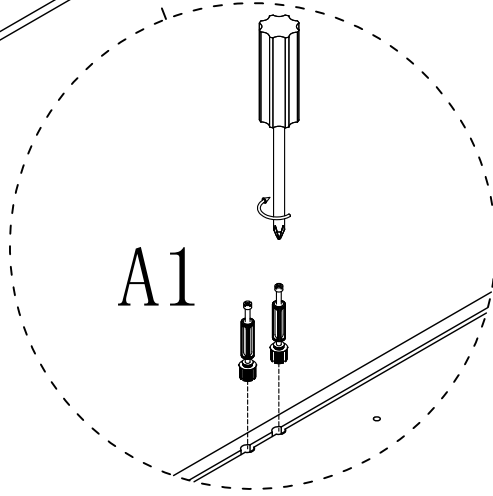
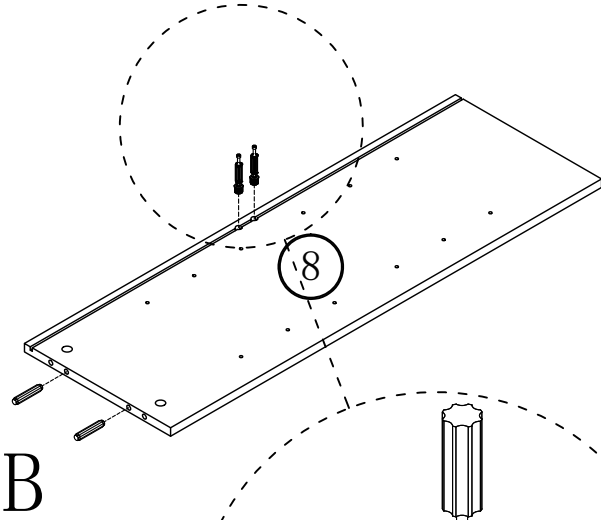
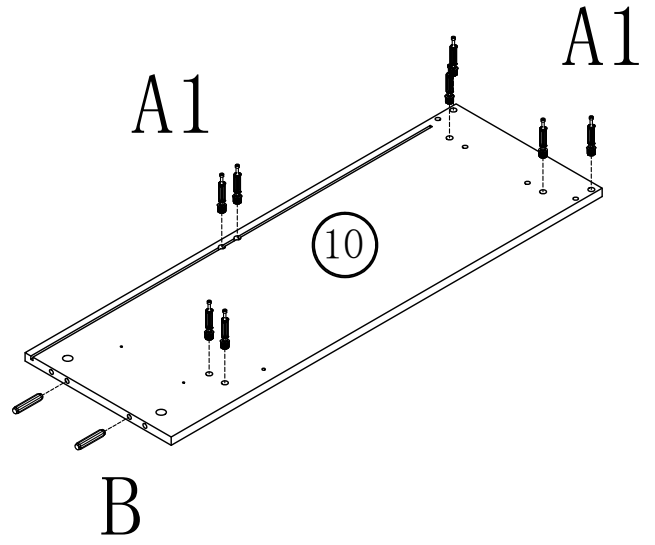
533*379(mm) 20.98*14.92(inch) 1PC



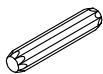
	R1*4		
	A1*8		T*6



	B*10
	R1*12
	A1*4

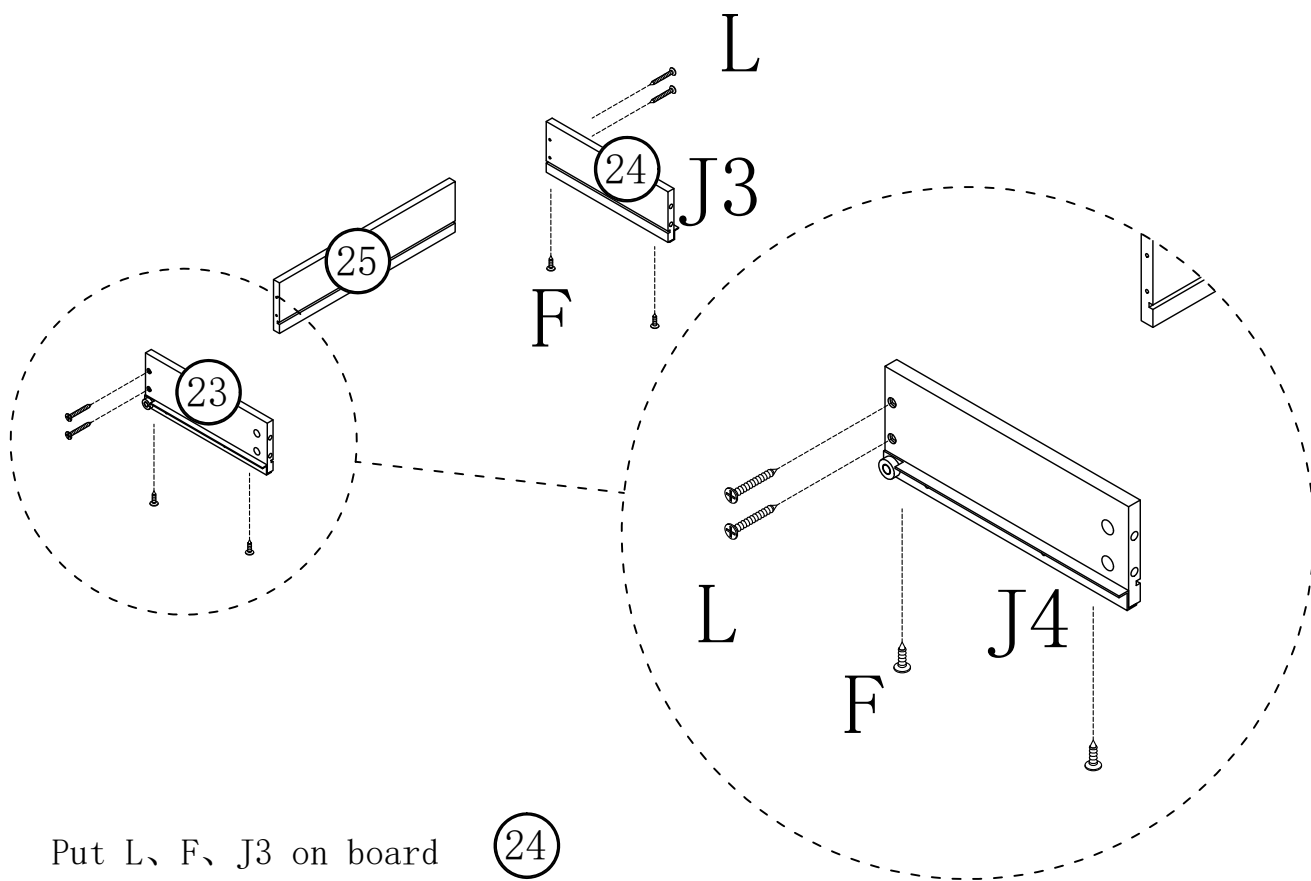


A1*20




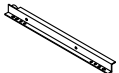
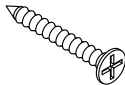
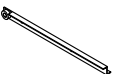
B*8

4

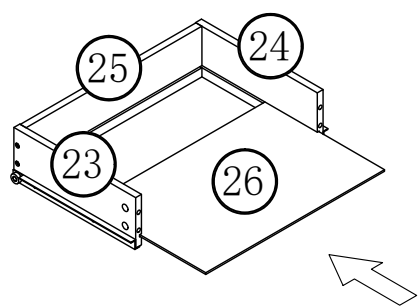


Put L、F、J3 on board (24)

Put L、F、J4 on board (23)

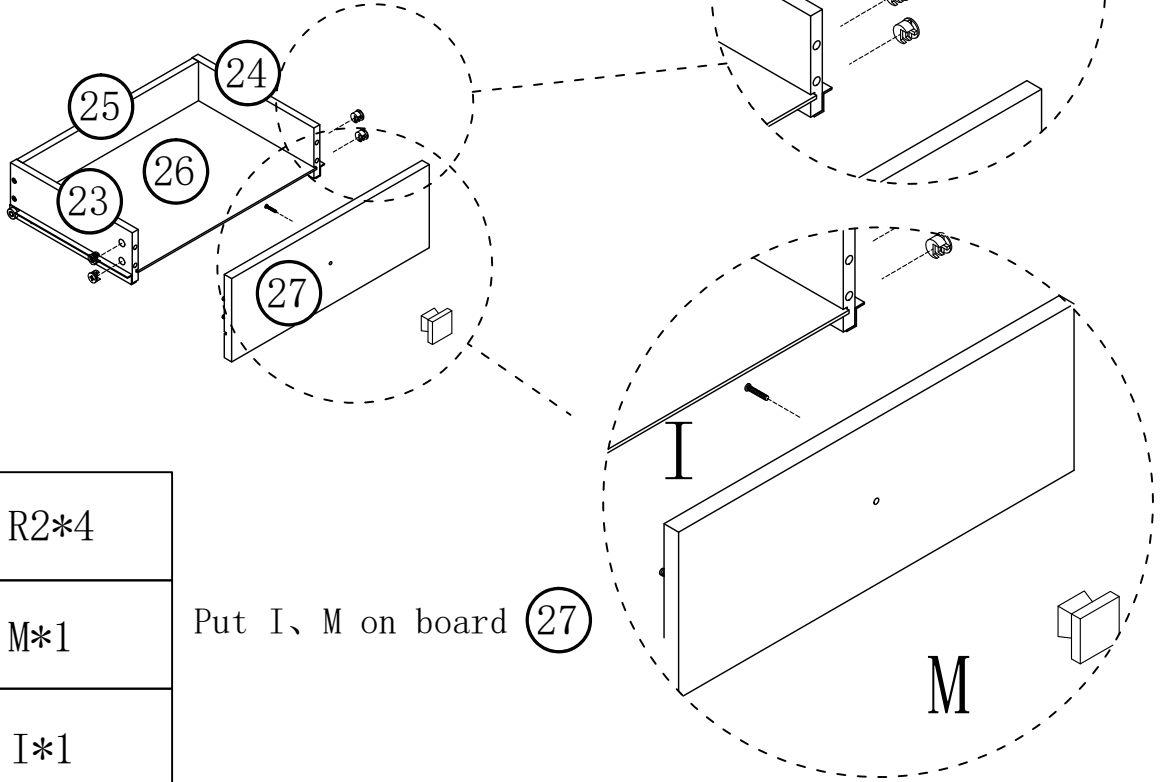
	F*4		J3*1
	L*4		J4*1

5

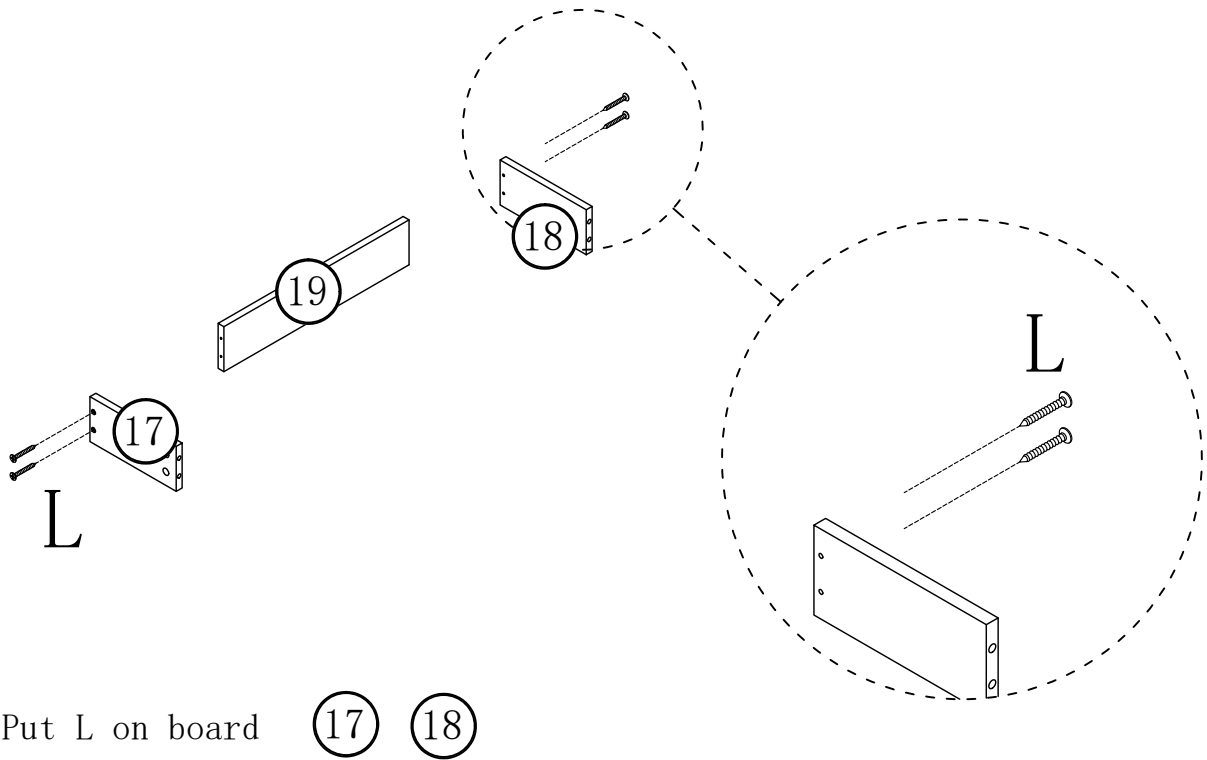


6

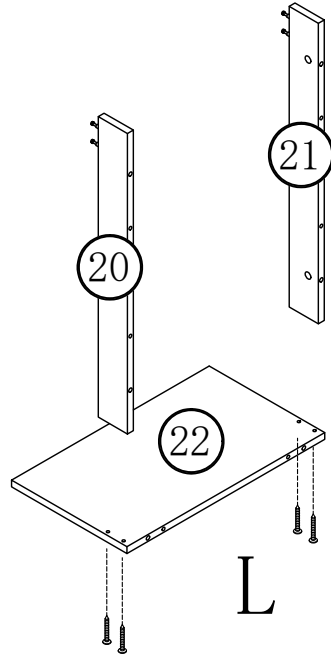
Make sure the arrow on the screw align to the hole on the side.



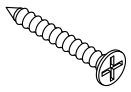
7



8



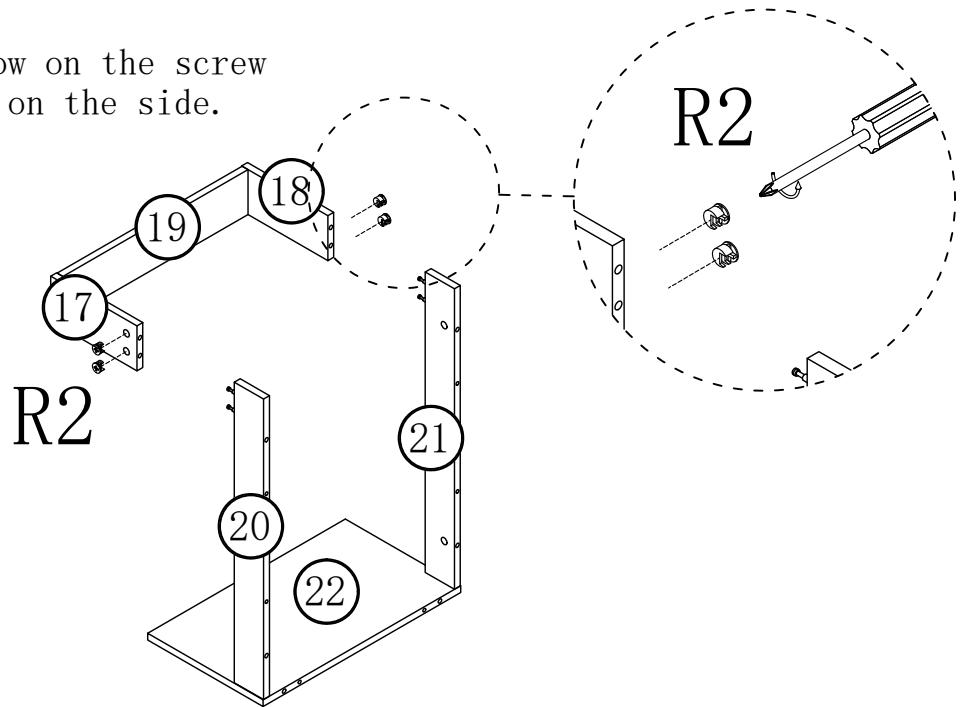
Put L on board (22)



L*4

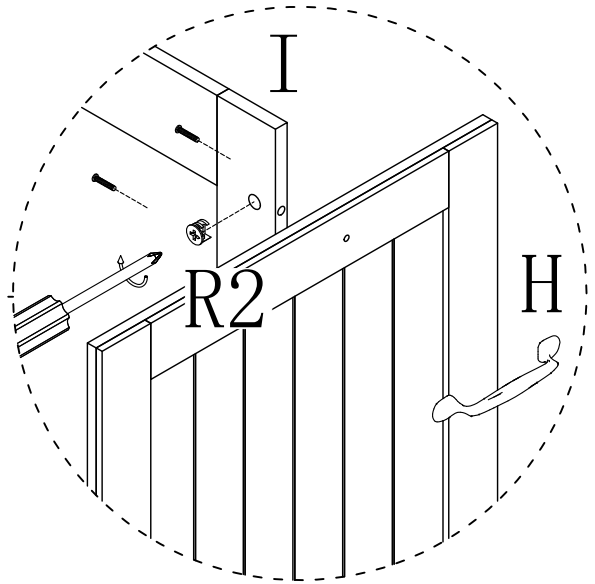
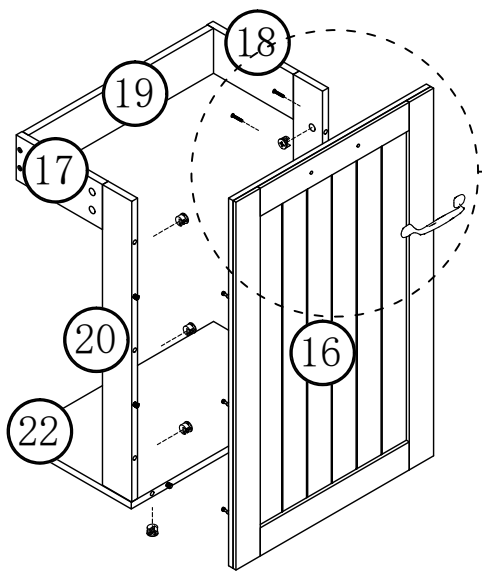
9

Make sure the arrow on the screw align to the hole on the side.






R2*4

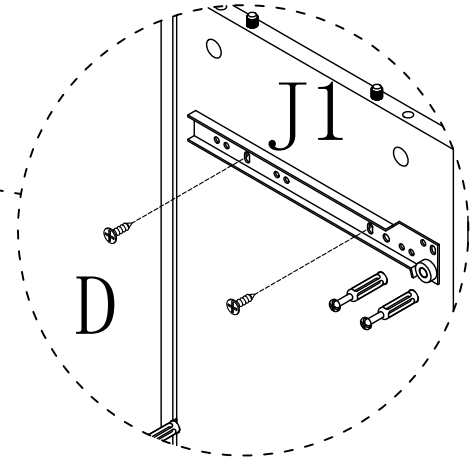
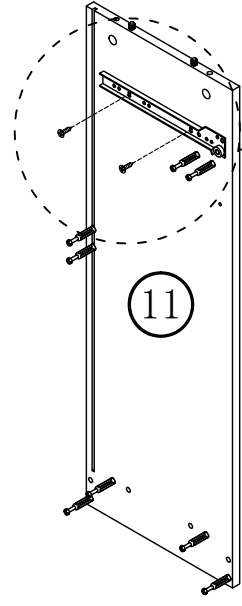
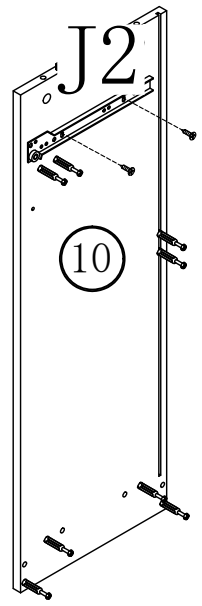
10



Make sure the arrow on the screw align to the hole on the side.

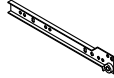
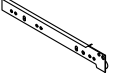
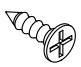
	H*1	Put H、I on board (16)	
	I*2		R2*8

11

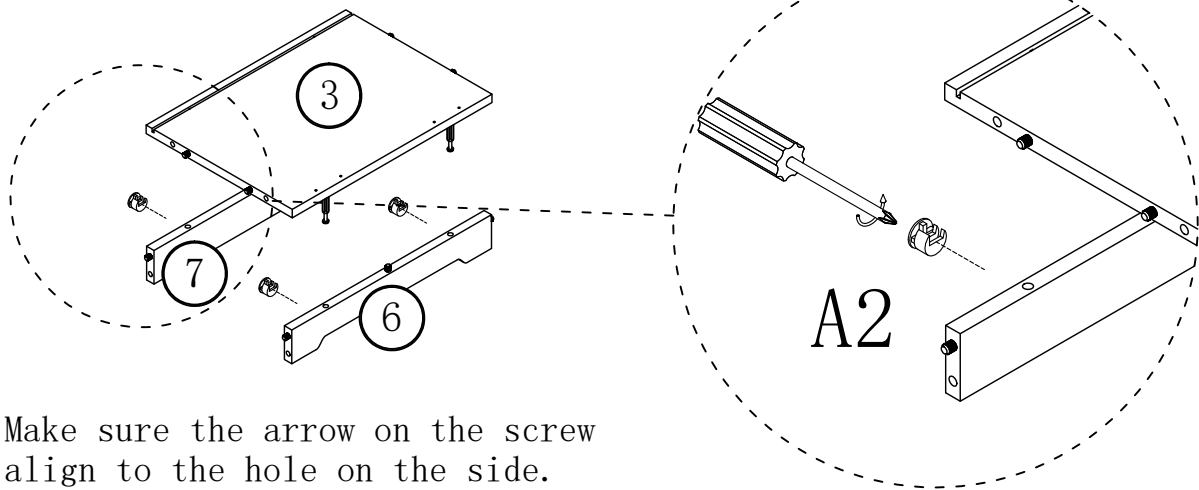


Put D、J1 on board (11)


Put D、J2 on board (10)

	J1*1	Put D、J2 on board (10)	
	J2*1		D*4

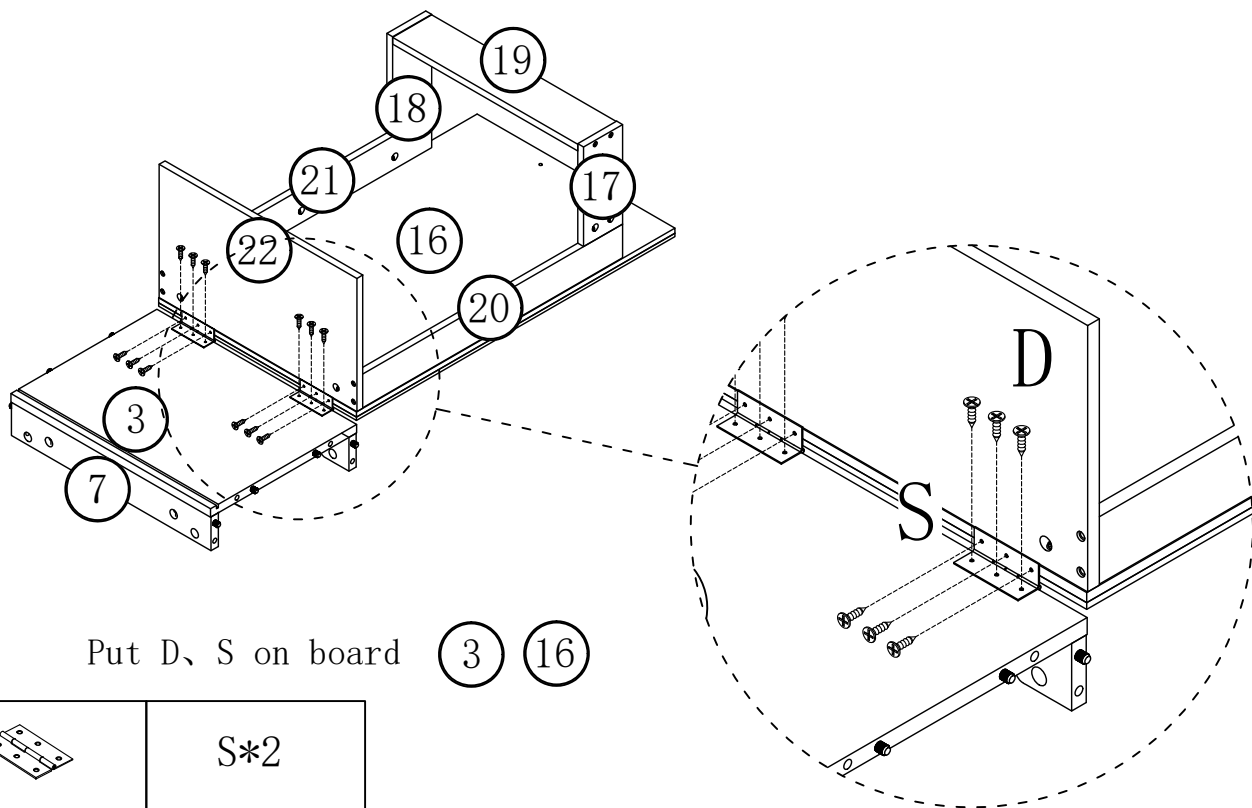
12



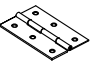

Make sure the arrow on the screw align to the hole on the side.

	A2*4
---	------

13

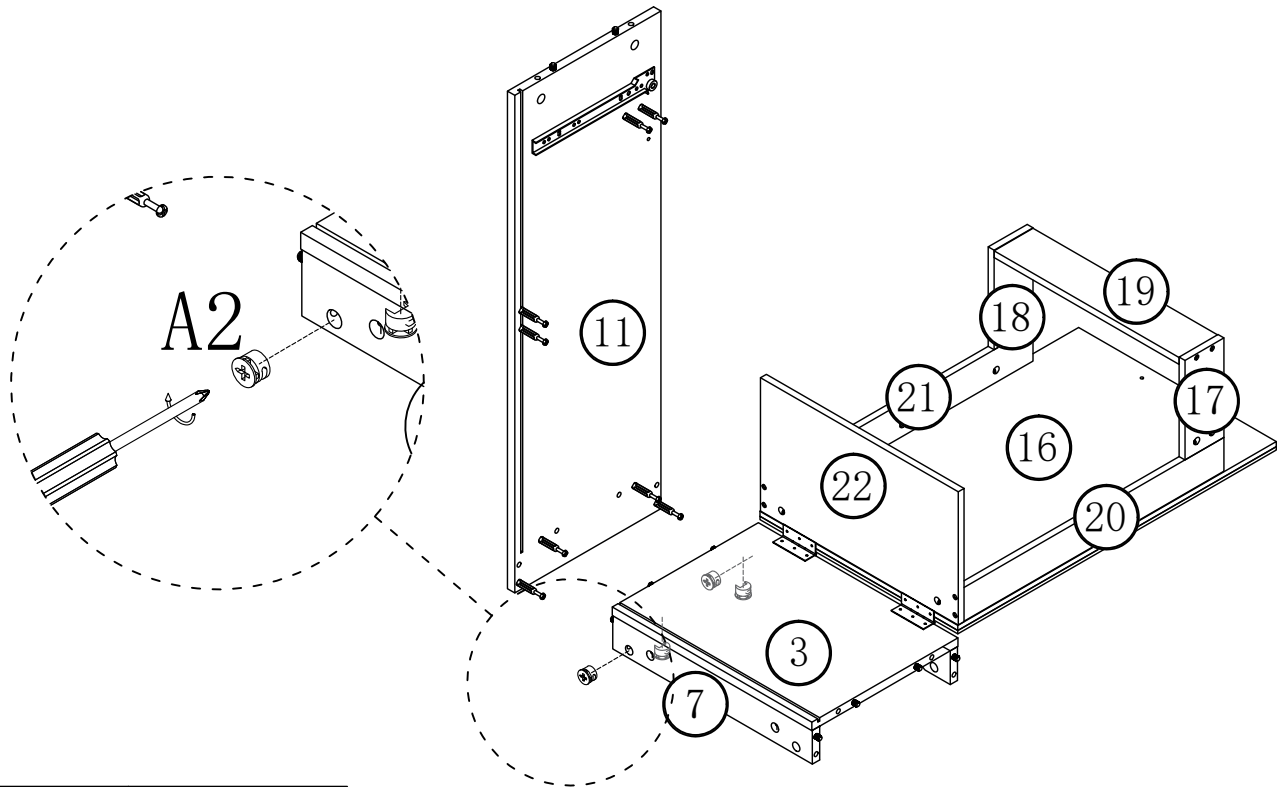



Put D、S on board 3 16

	S*2
	D*12

14

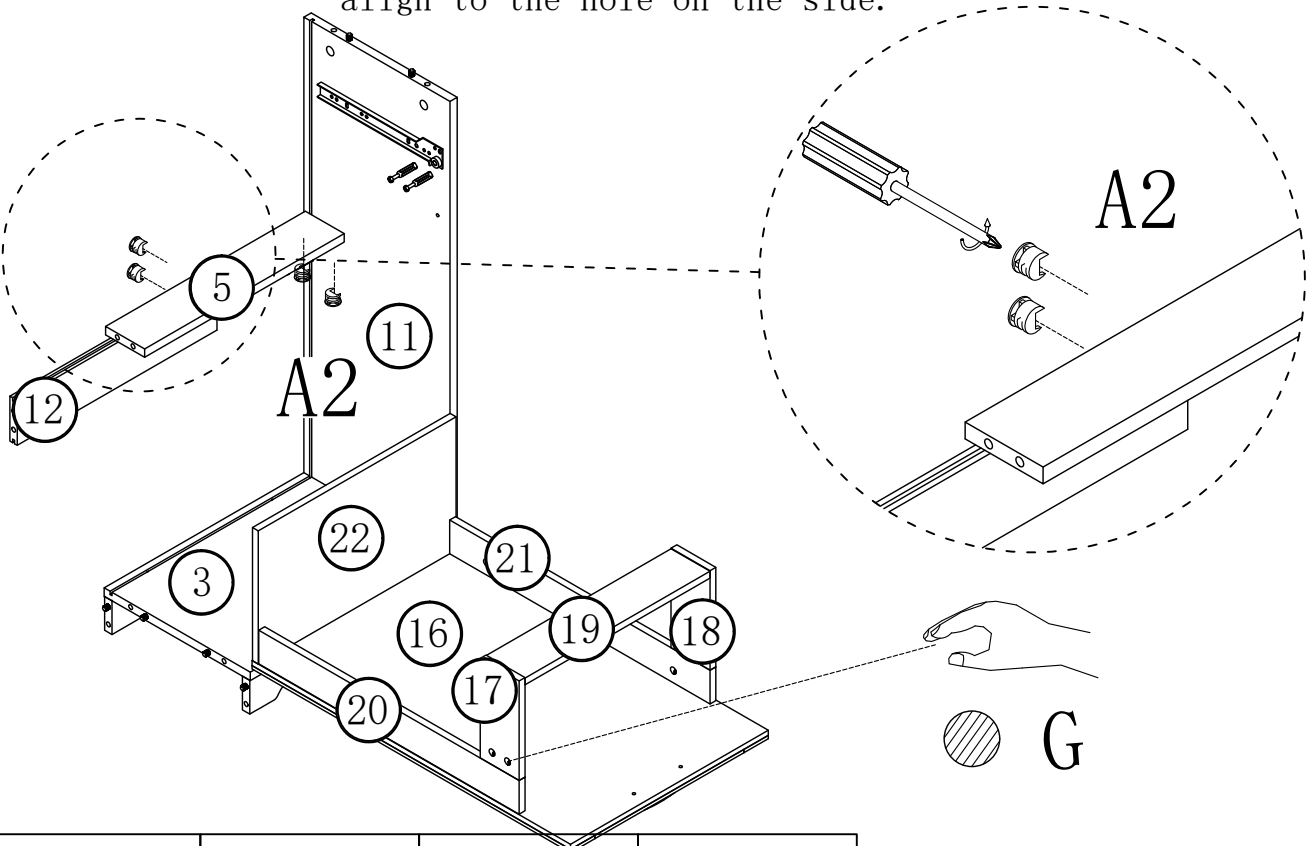
Make sure the arrow on the screw align to the hole on the side.




	A2*4
---	------

15

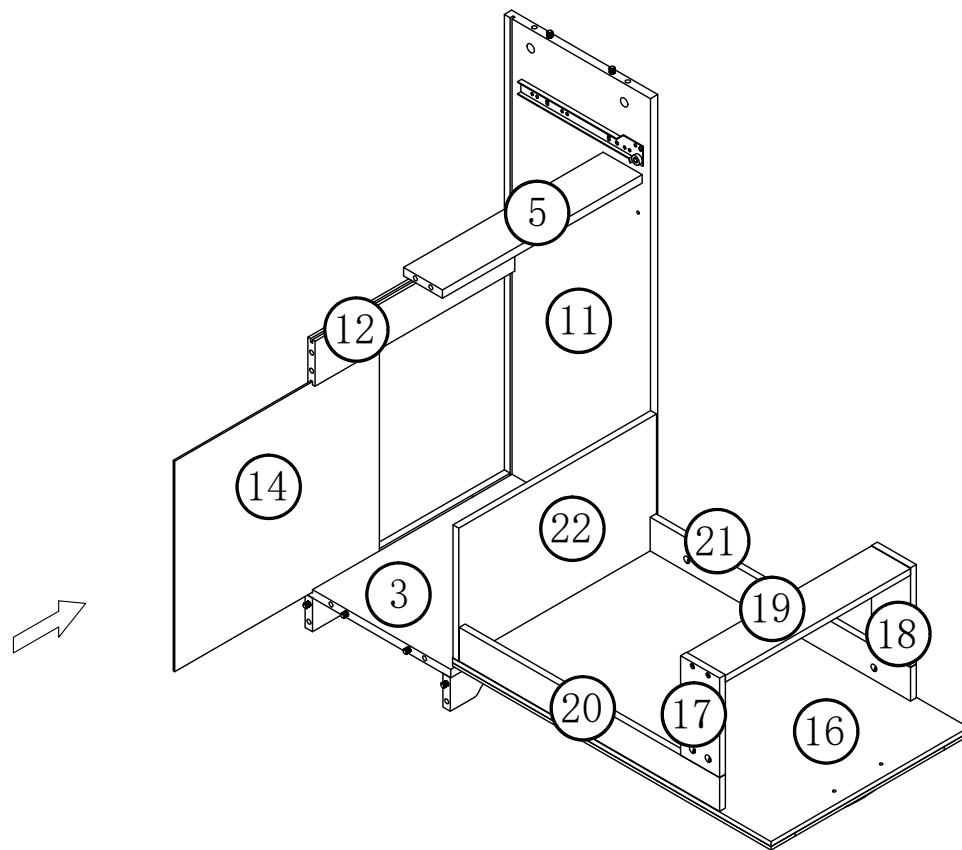
Make sure the arrow on the screw align to the hole on the side.



	A2*4		G*4
---	------	---	-----

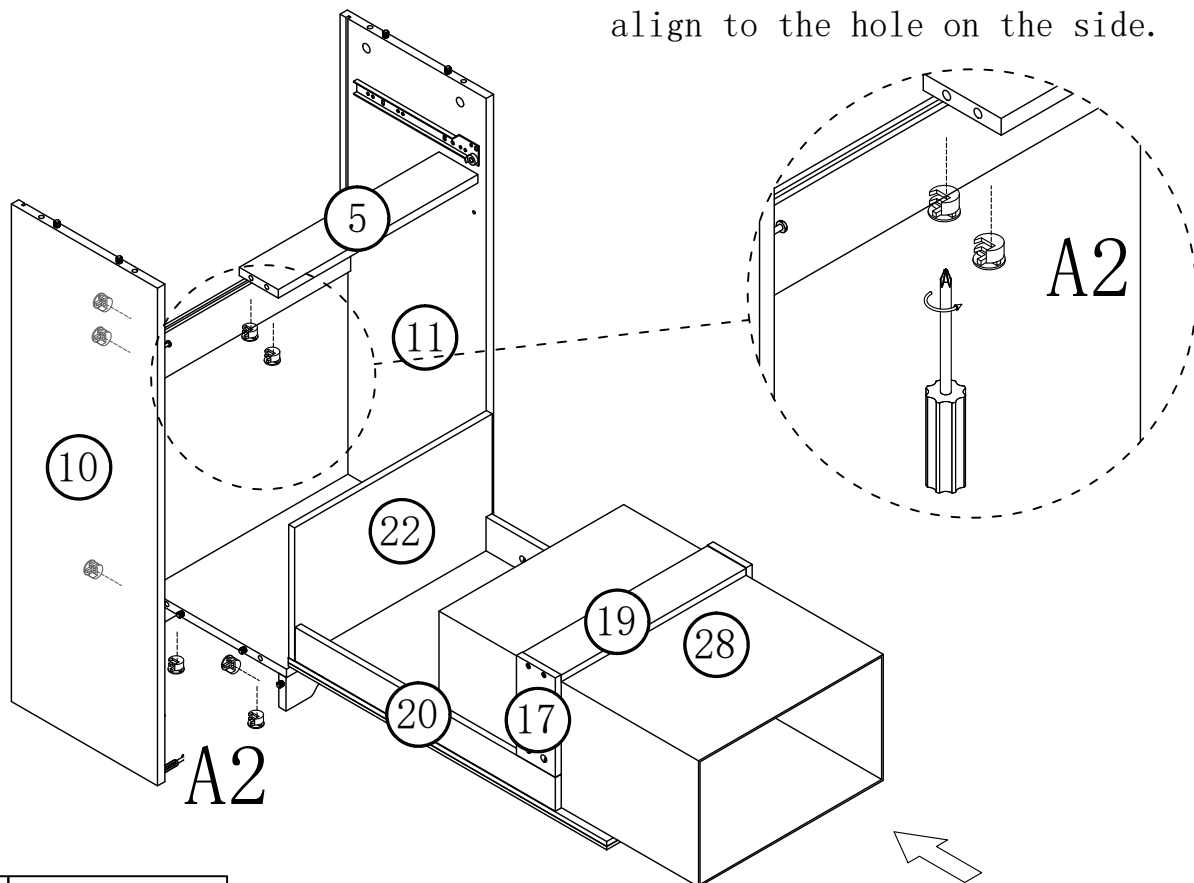
Put G on board 17 18

16



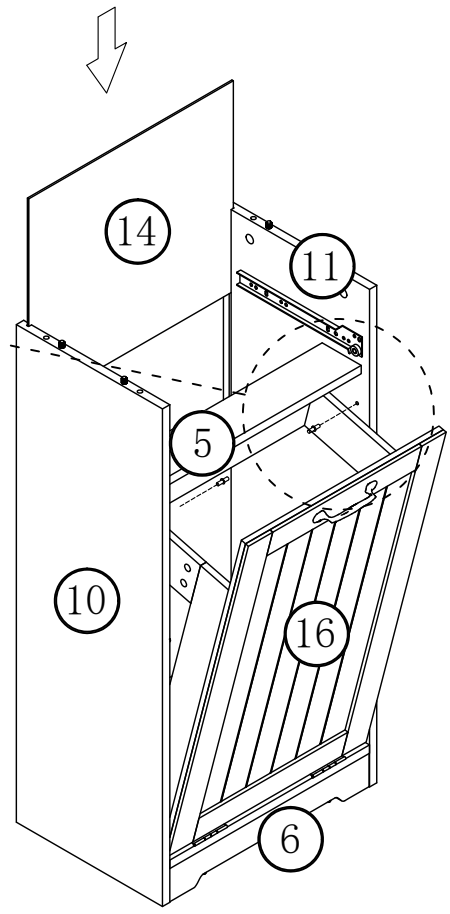
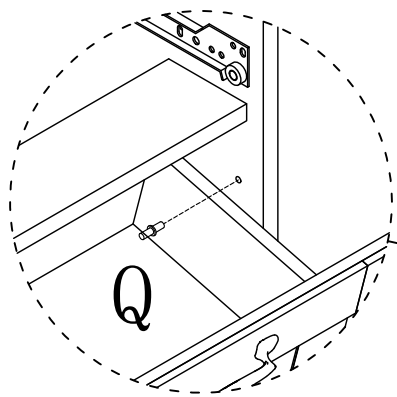
17

Make sure the arrow on the screw align to the hole on the side.




A2*8

18

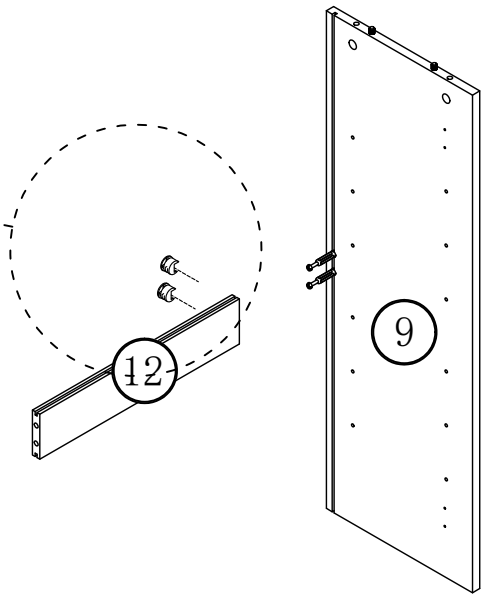
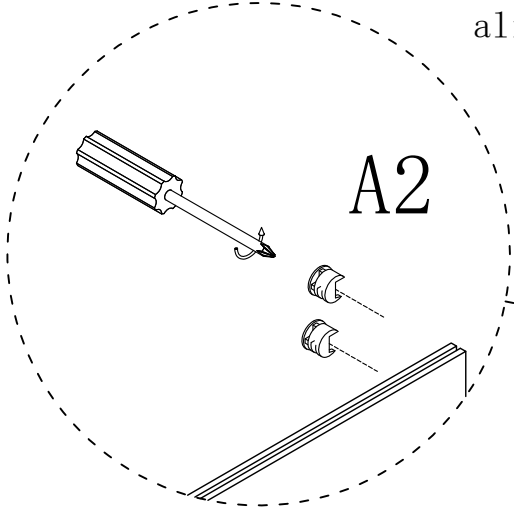



Put Q on board (10) (11)

	Q*2
---	-----

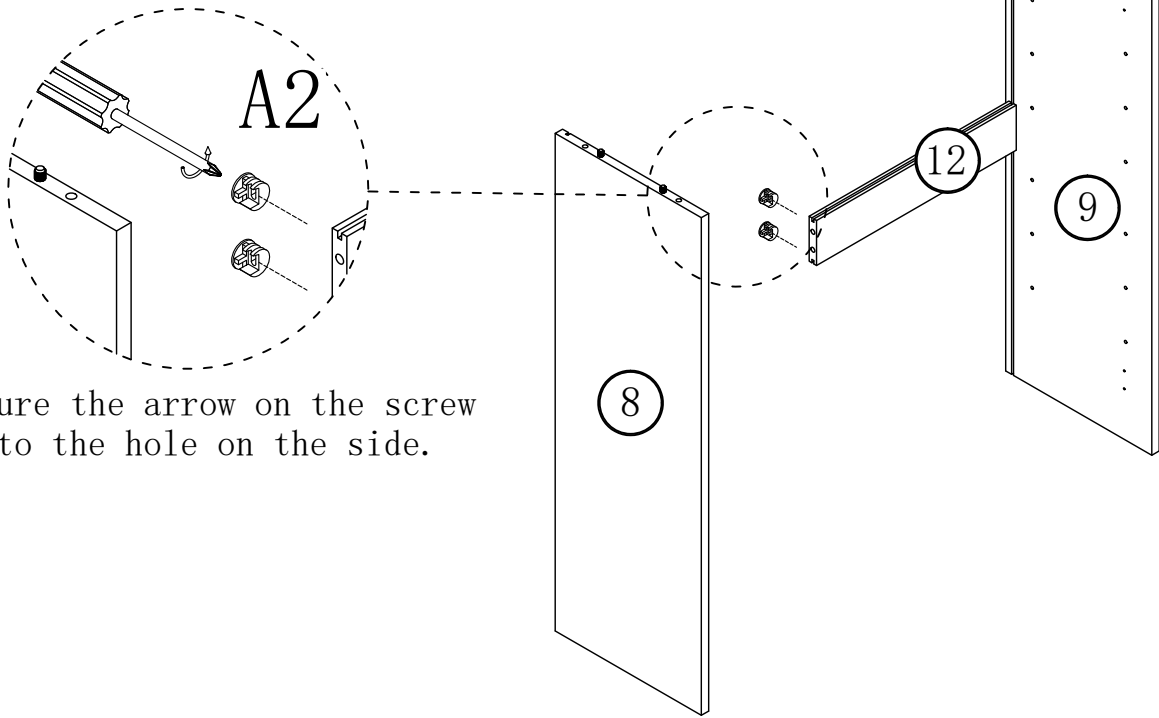
19

Make sure the arrow on the screw align to the hole on the side.



	A2*2
---	------

20

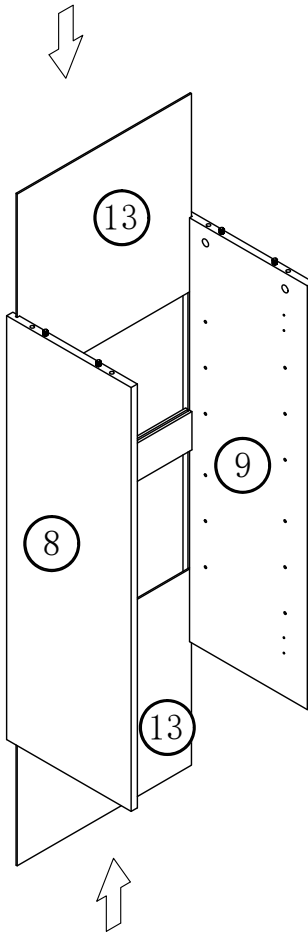


Make sure the arrow on the screw align to the hole on the side.

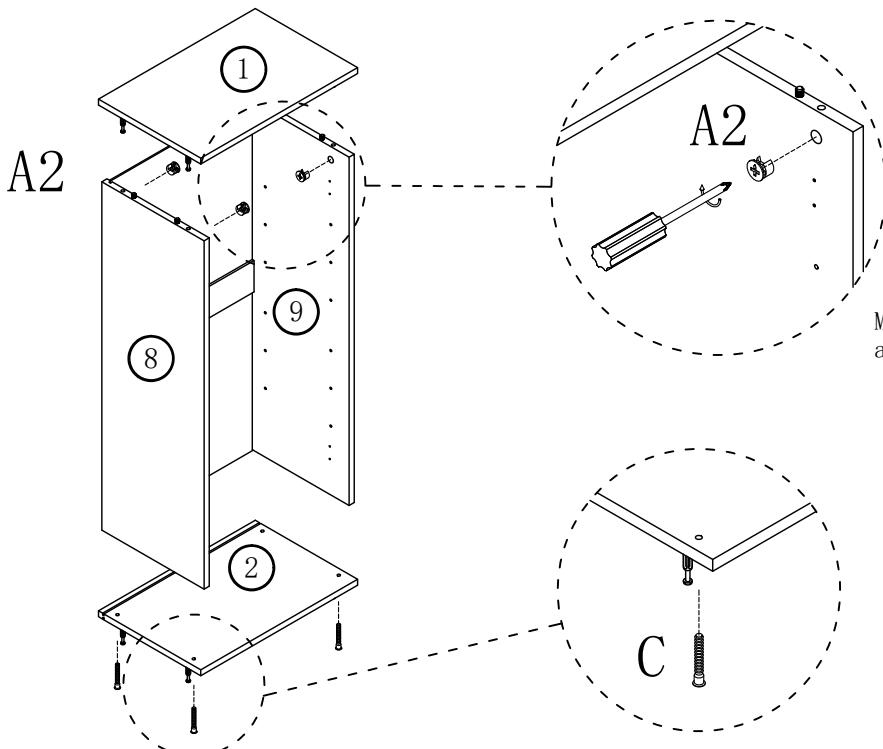


A2*2



21



22



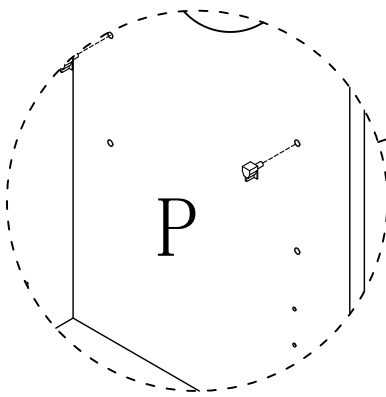
Make sure the arrow on the screw align to the hole on the side.

	C*4
	A2*4

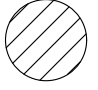


Put C on board ②

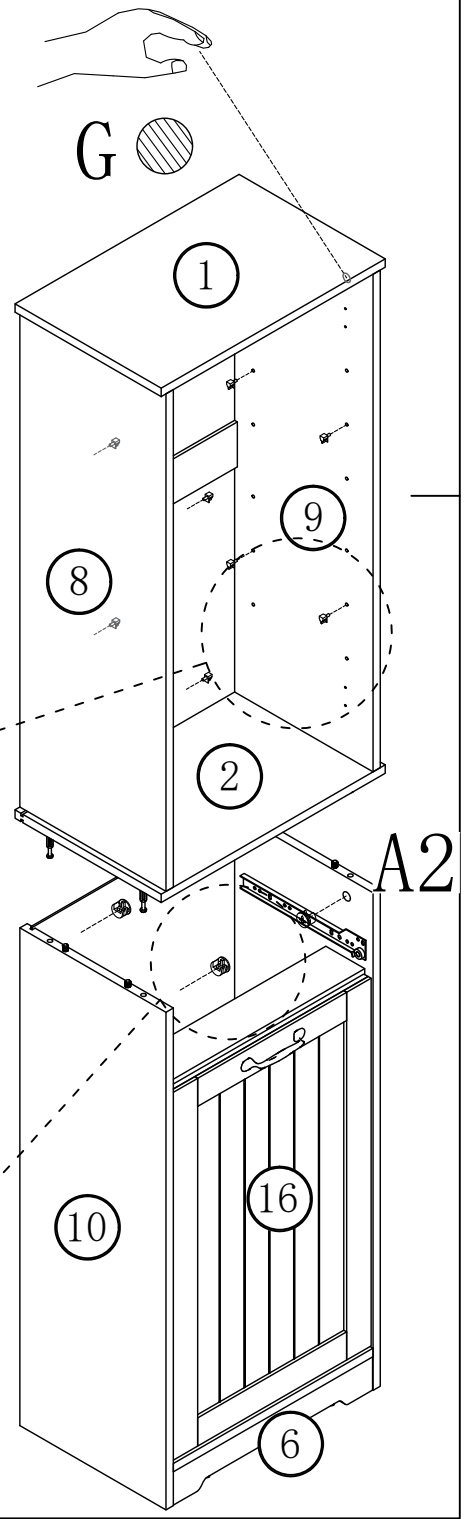
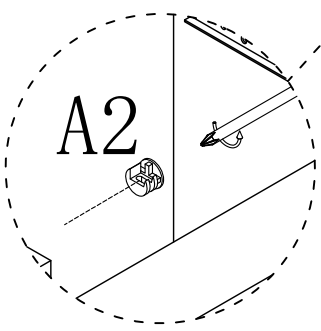
23

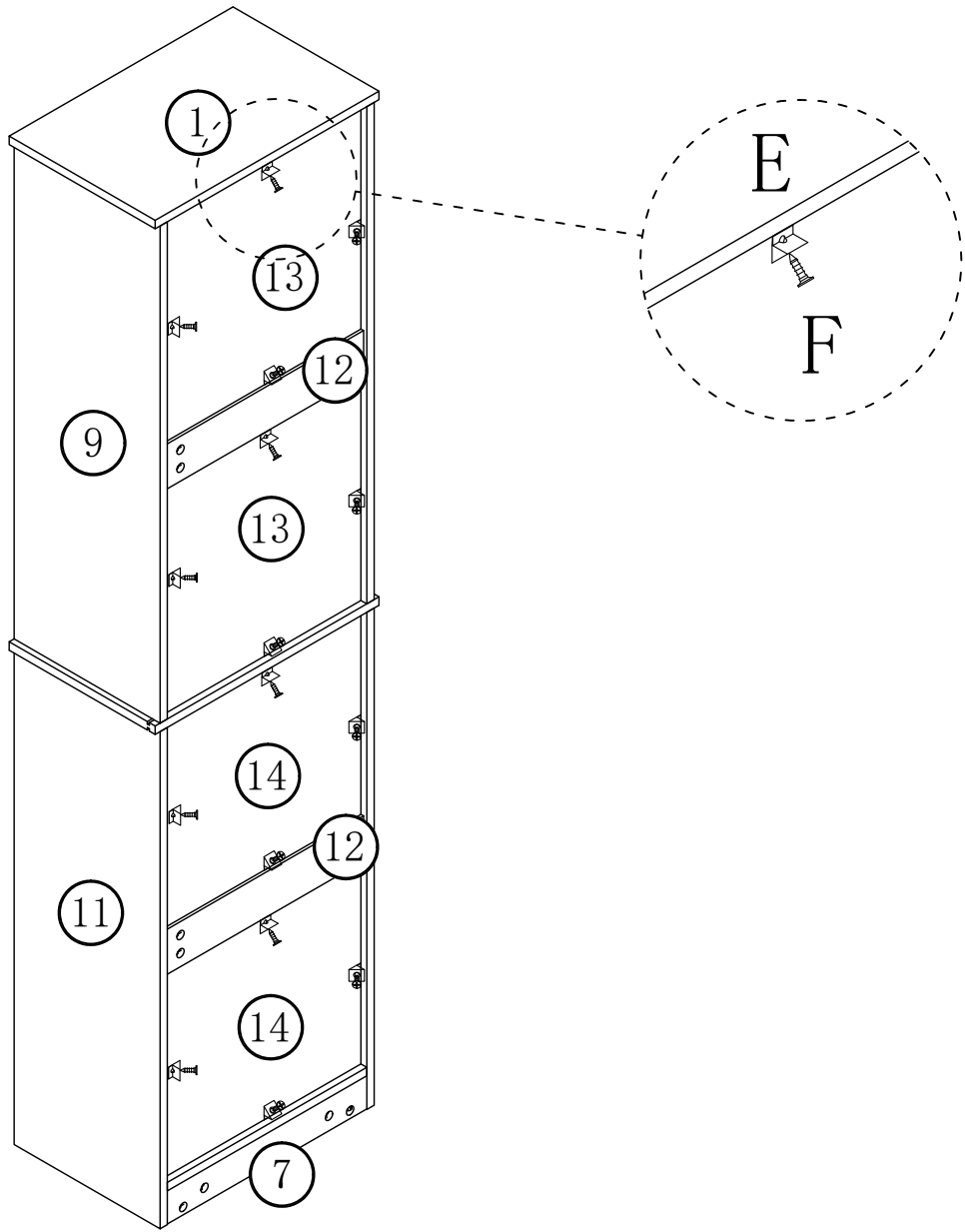
Put G, P on board ⑧ ⑨





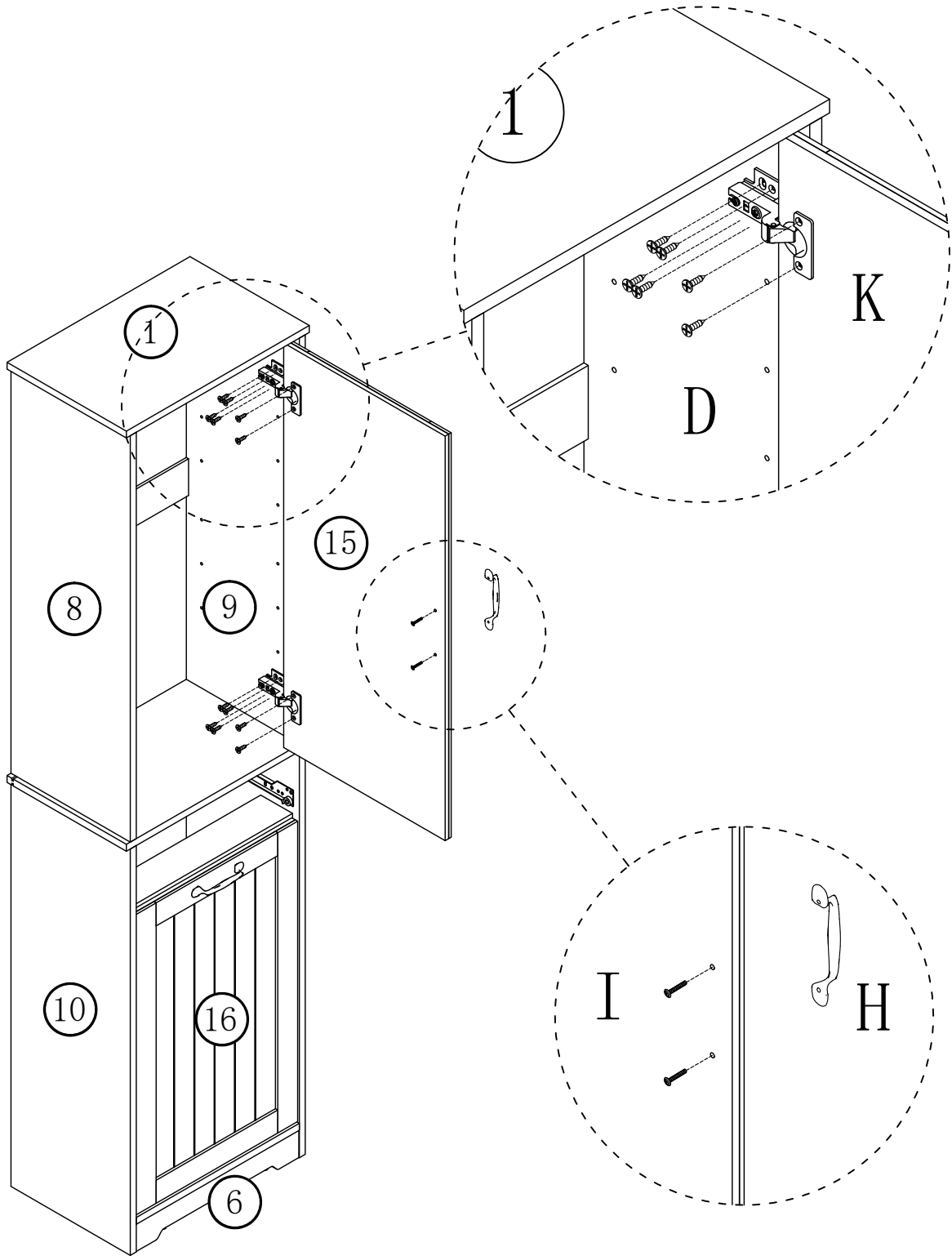
Make sure the arrow on the screw align to the hole on the side.

	G*4
	P*8
	A2*4









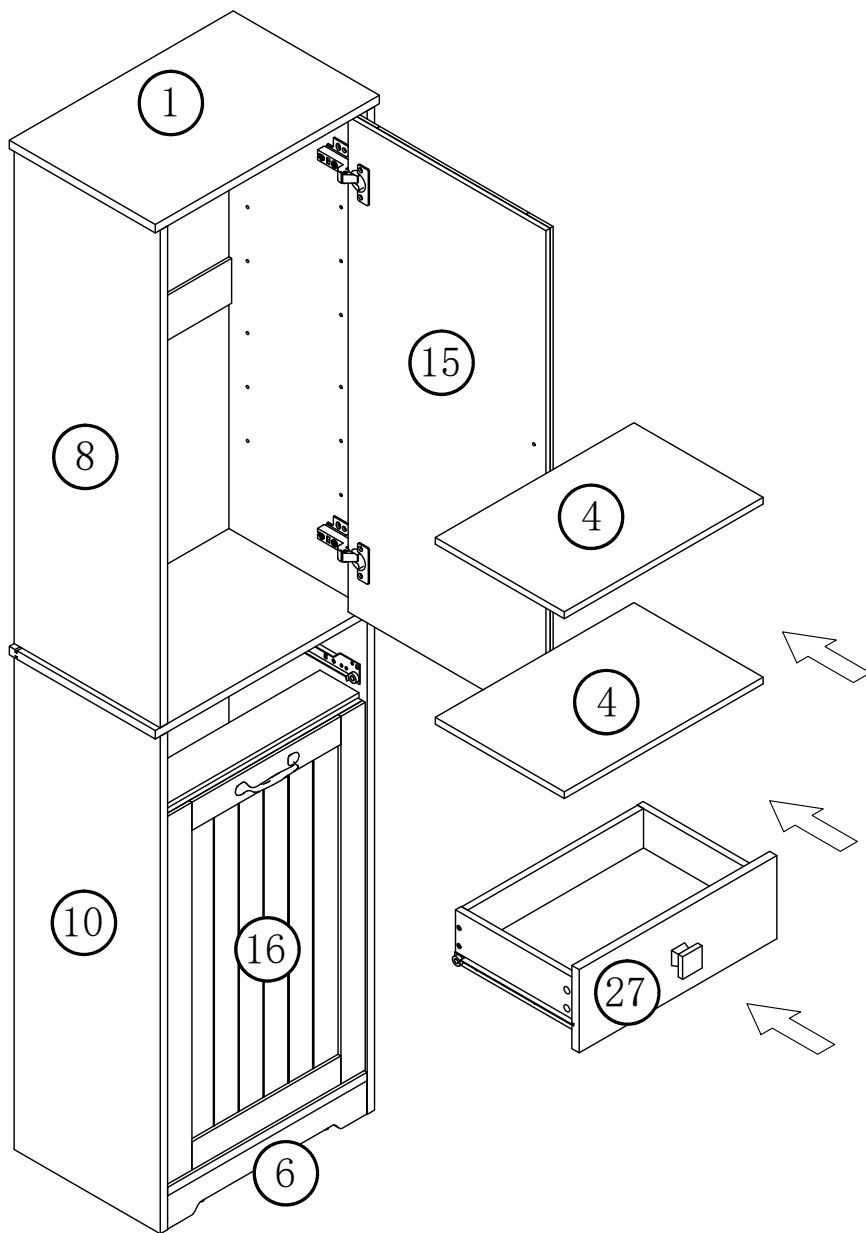
	F*16
	E*16

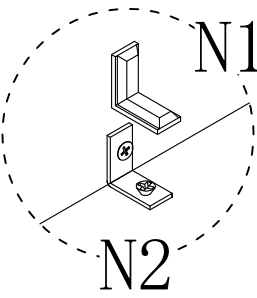
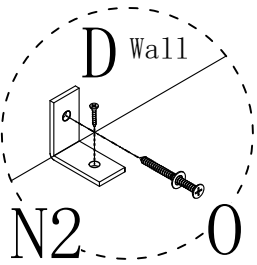
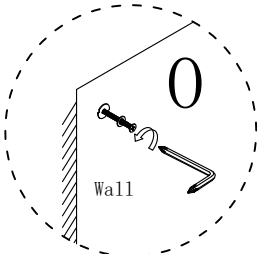
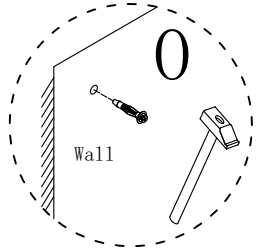
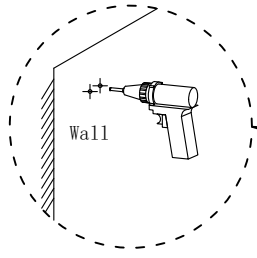


Put D、K on board ⑨ ⑮

Put H、I on board ⑮

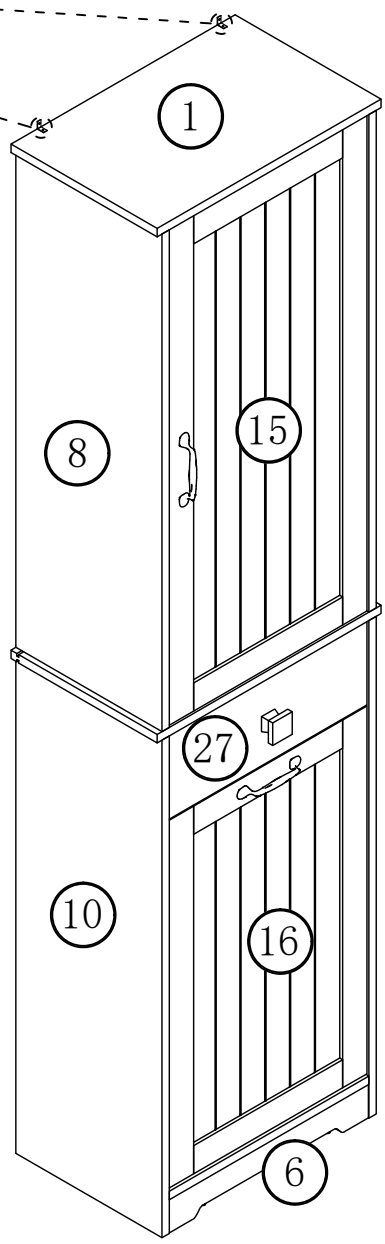
	I*2		D*12
	H*1		K*2

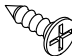
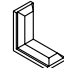
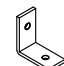





Put N1, N2, D on board (1)

Put 0 on the wall.



	D*2
	N1*2
	N2*2
	0*2