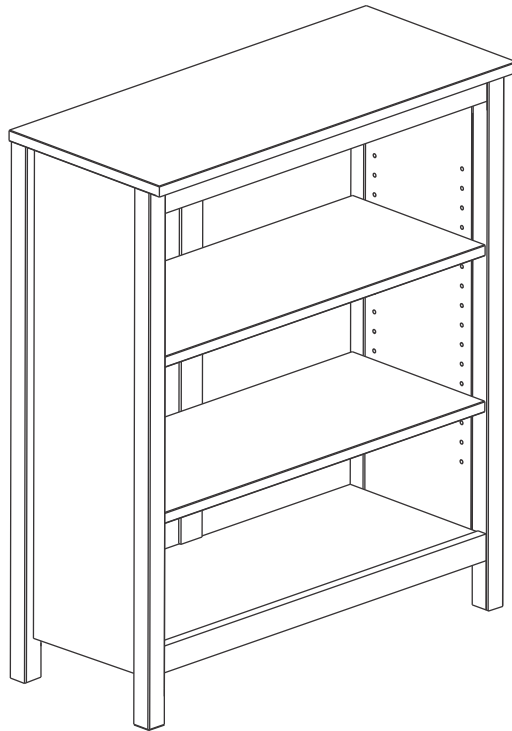


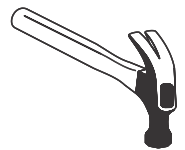
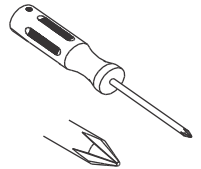
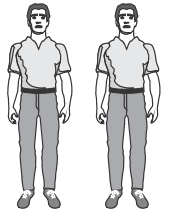
ASSEMBLY INSTRUCTIONS

CLASSIC SHAKER STYLE

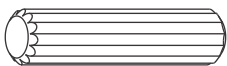
BOOKCASE 36" H



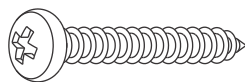
00:30 Hs



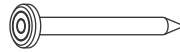
HARDWARE INCLUDED



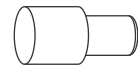
A -8,0x30 Wood Dowel
Qty. 16



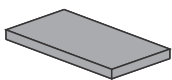
B -4,0x30 Screw
Qty. 16



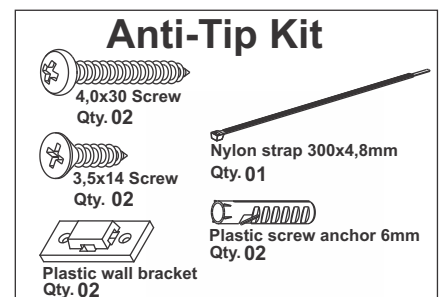
C -10x10 Nail
Qty. 24



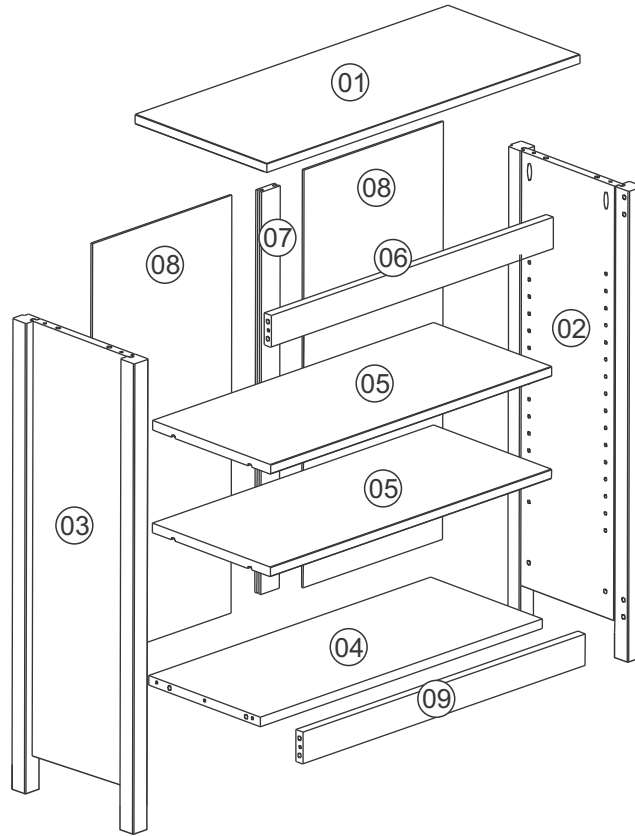
D - Shelf Support
Qty. 08



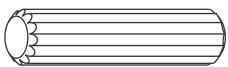
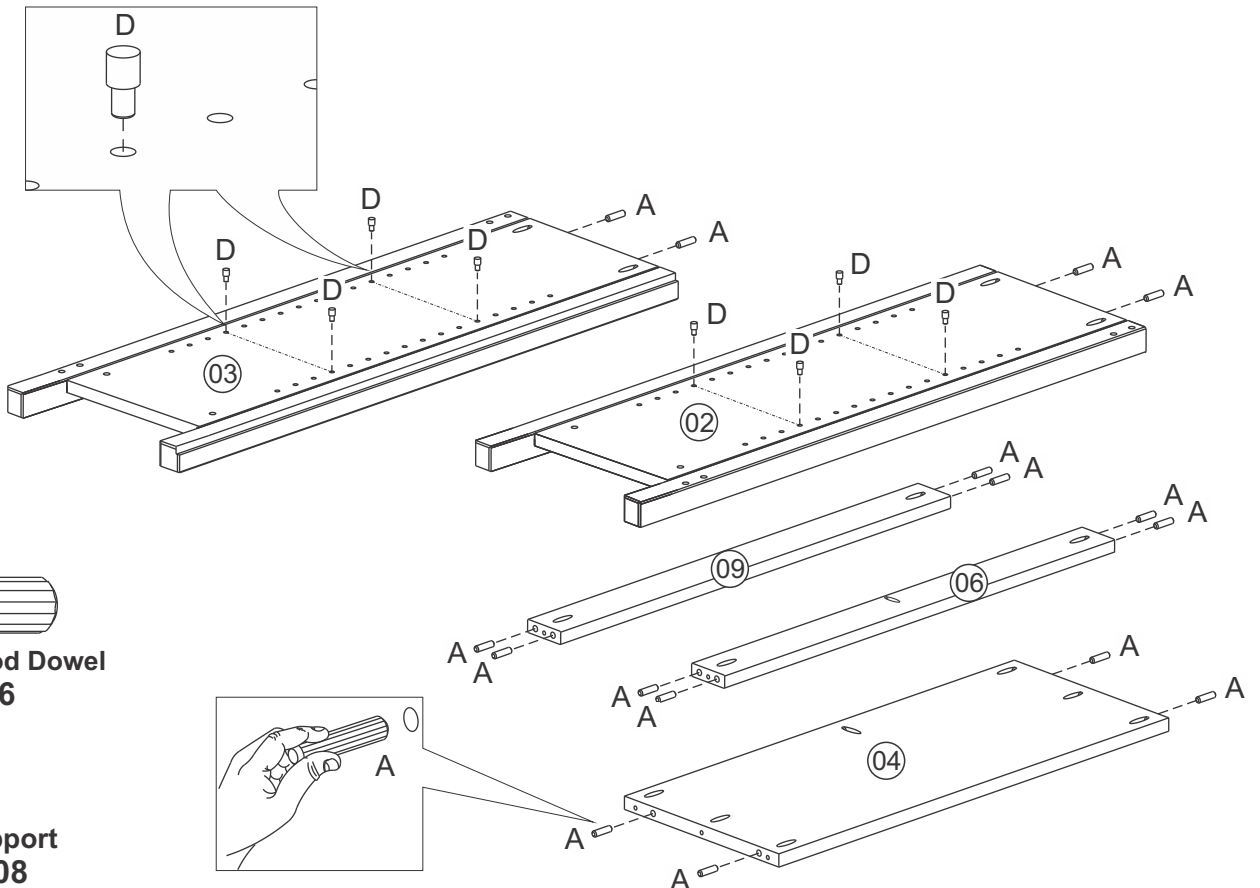
E -Sticker ribbon
Qty. 04



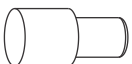
PARTS INCLUDED



STEP 1

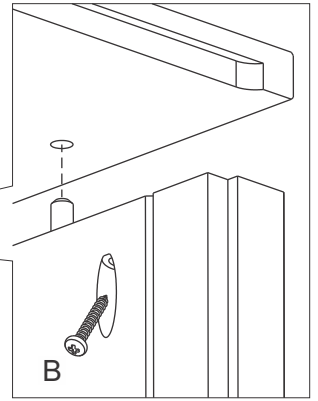
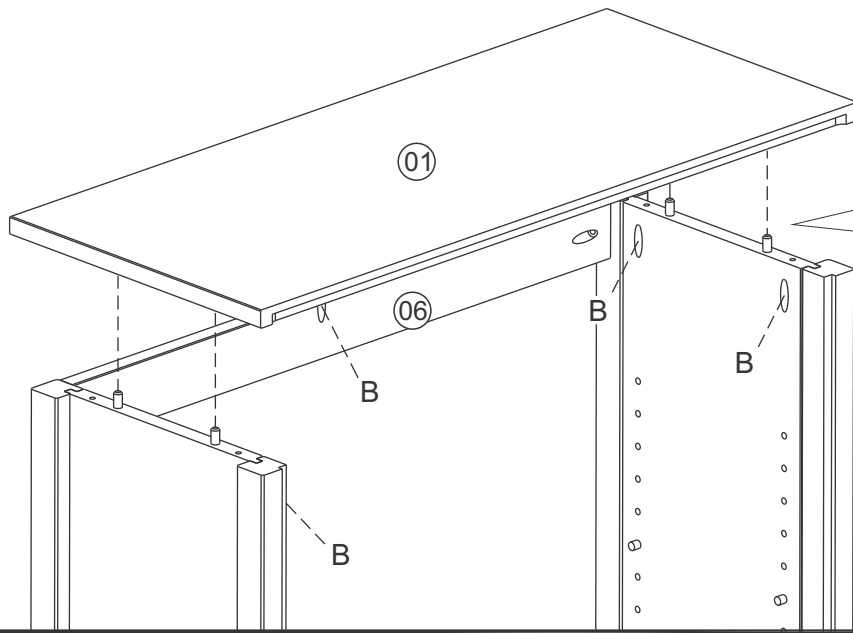


A - 8,0x30 Wood Dowel
Qty. 16



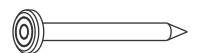
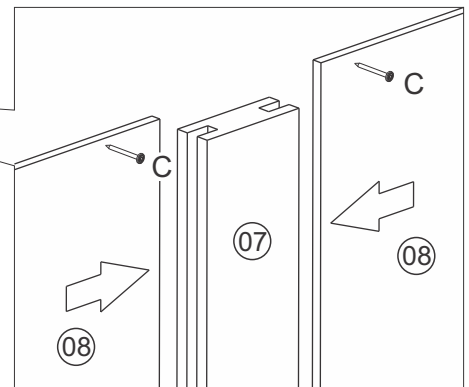
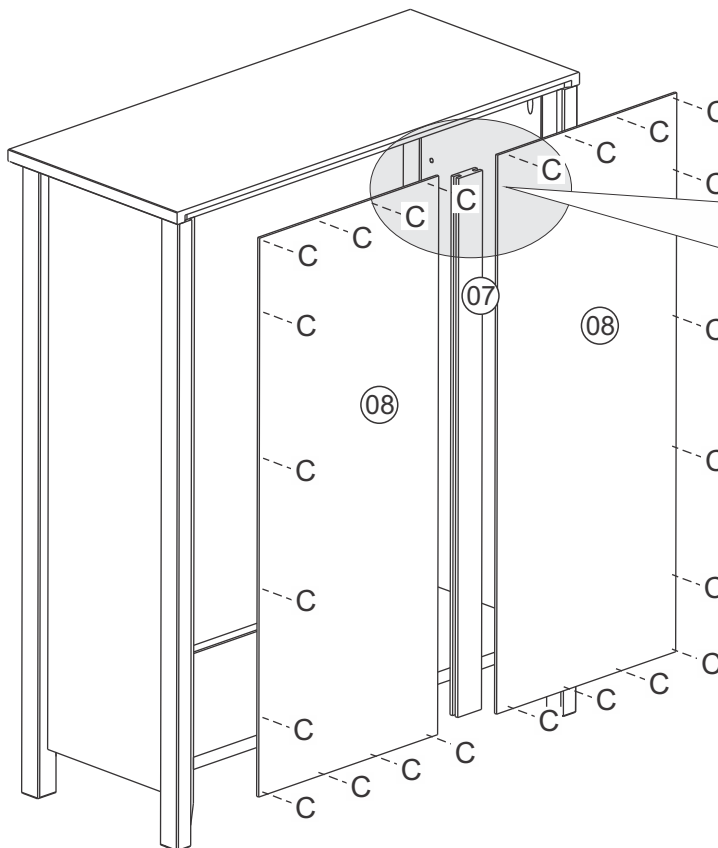
D - Shelf Support
Qty. 08

STEP 4



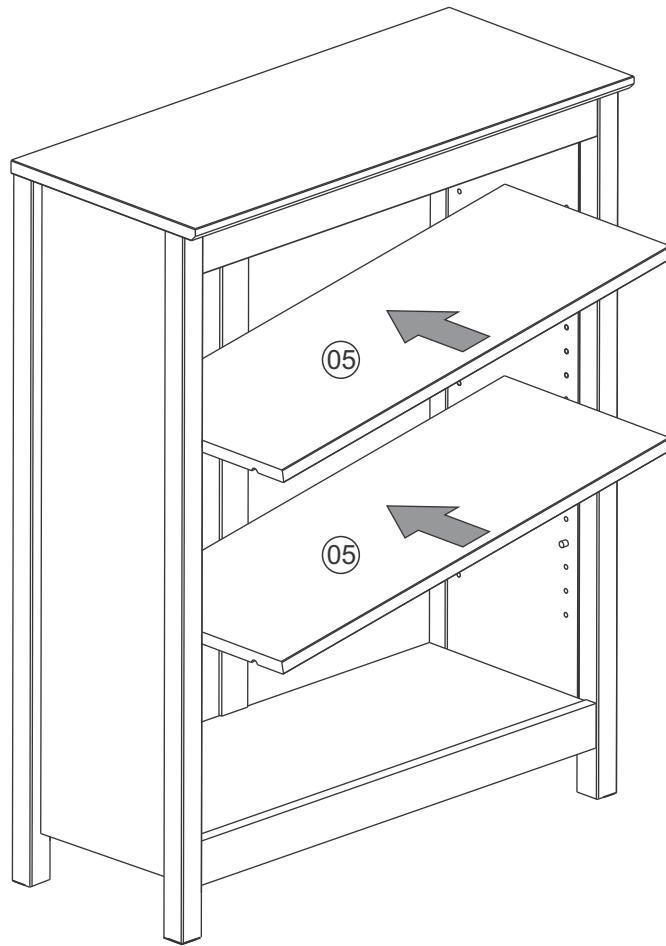
B -4,0x30 Screw
Qty. 05

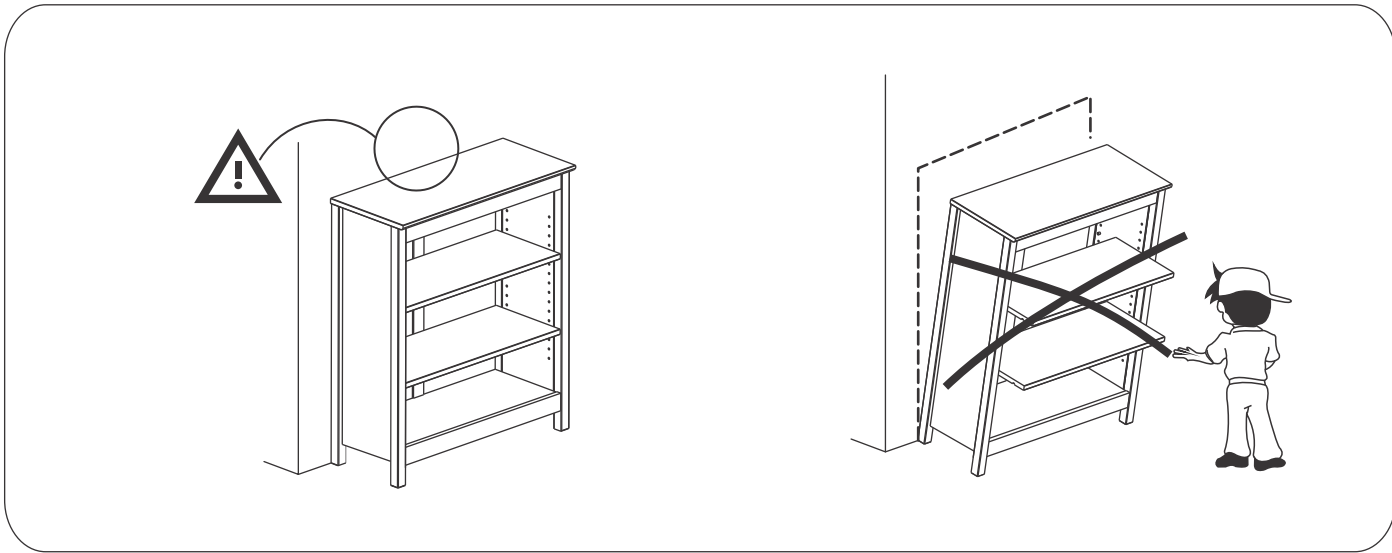
STEP 5



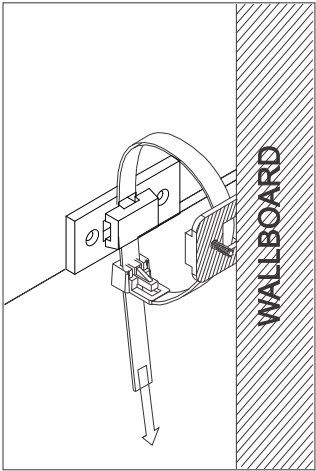
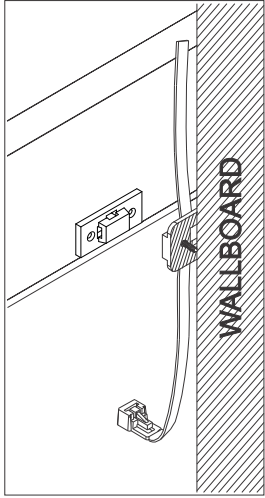
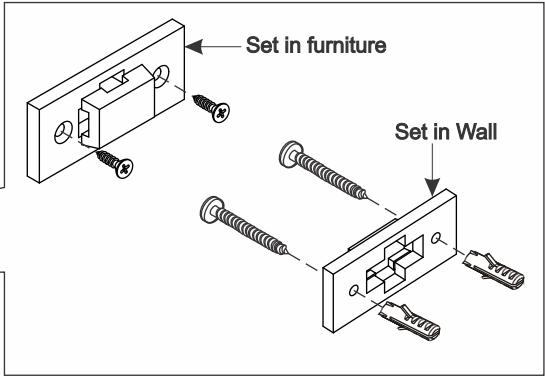
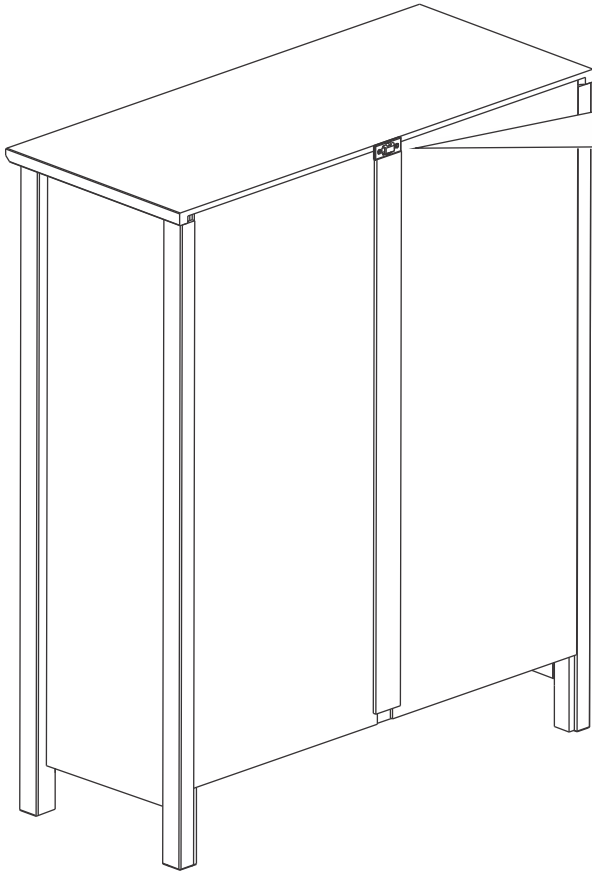
C -10x10 Nail
Qty. 24



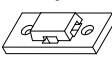


STEP 6





Anti-Tip Kit



- Anti-Tip Kit**
-  4,0x30 Screw
Qty. 02
 -  3,5x14 Screw
Qty. 02
 -  Plastic wall bracket
Qty. 02
 -  Nylon strap 380x7,6mm
Qty. 01
 -  Plastic screw anchor 6mm
Qty. 02