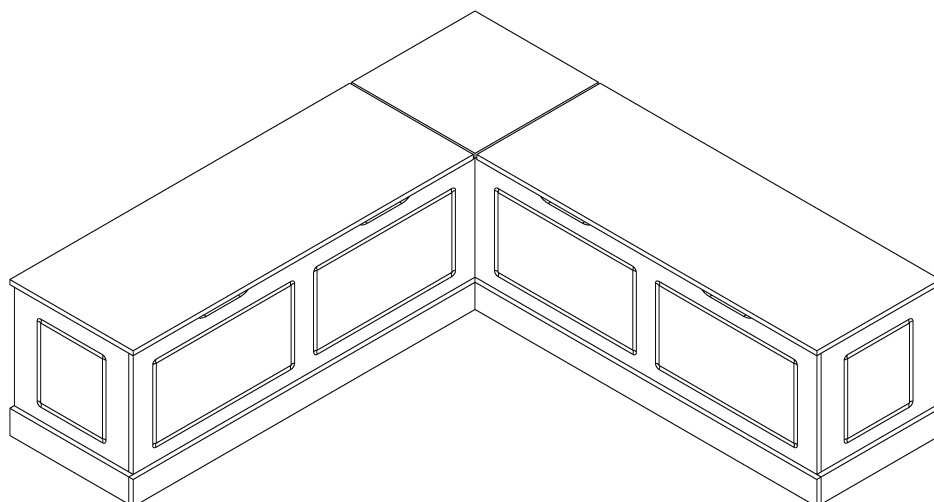




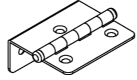

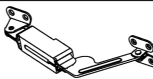



# ASSEMBLE INSTRUCTION

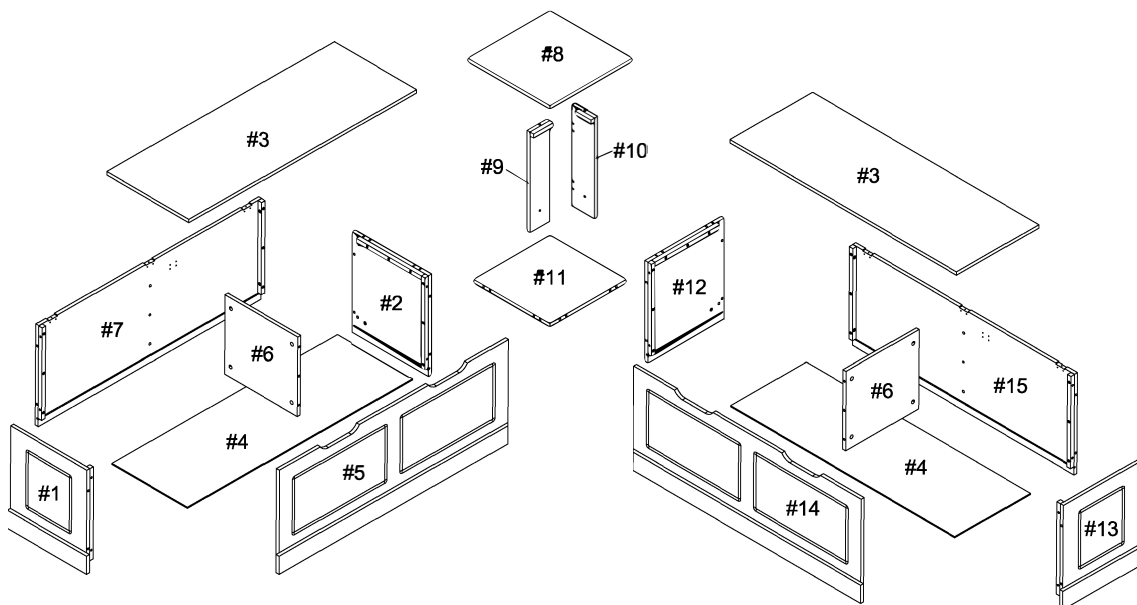


# PART/HARDWARE LIST - CORNER BENCH

PART #	DESCRIPTION	QTY
#1	Left Side Left Panel	01
#2	Left Side Right Panel	01
#3	Seat Panel	02
#4	Side Bottom Panel	02
#5	Left Side Front Panel	01
#6	Partition Panel	02
#7	Left Side Back Panel	01
#8	Middle Seat Panel	01
#9	Left Bracing Panel	01
#10	Right Bracing Panel	01
#11	Middle Bottom Panel	01
#12	Right Side Left Panel	01
#13	Right Side Right Panel	01
#14	Right Side Front Panel	01
#15	Right Side Back Panel	01

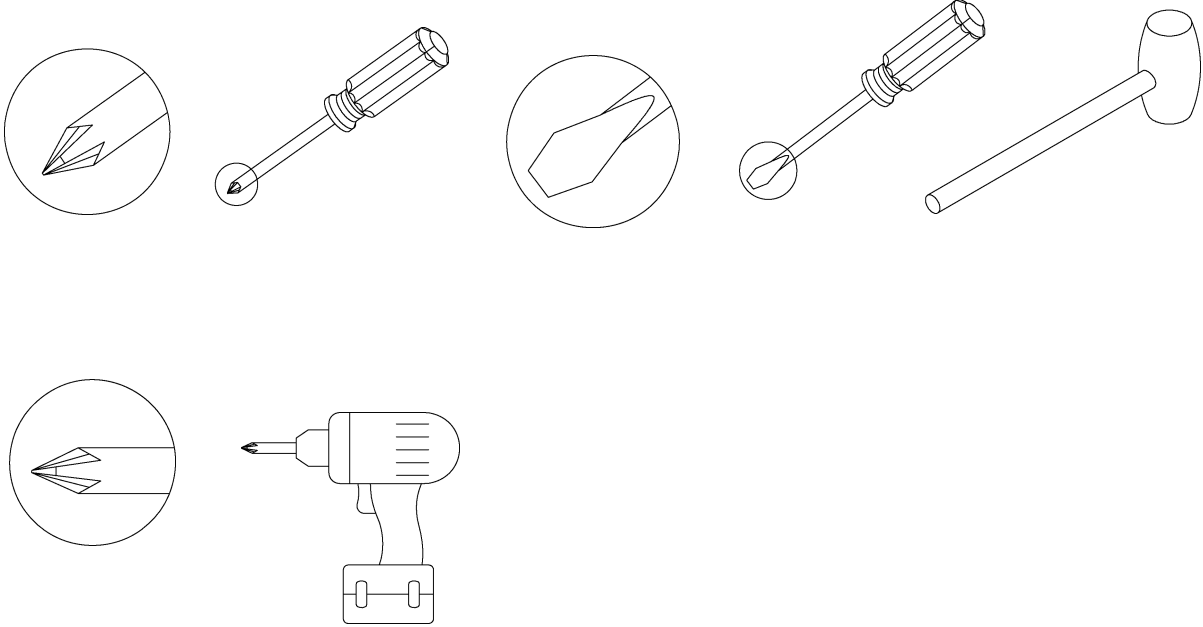
ITEM	DESCRIPTION	PART	QTY
A	Camlock bolt		13
B	Camlock		13
C	Wooden dowel	 ø8*30mm	33
D	Bolt	 1/4"*1"	27
E	Hinge		6
F	Screw	 ø3*12mm	47
G	Long Hinge		2
H	Allen Wrench		1

*All hardware have extra spares*

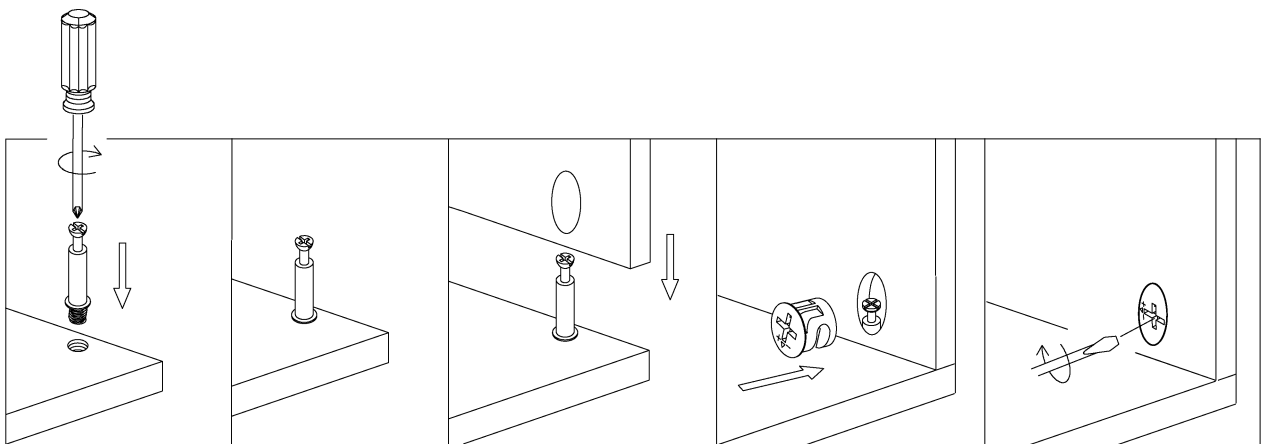


# ASSEMBLY INSTRUCTION

## ASSEMBLY TOOLS REQUIRED (NOT INCLUDED)








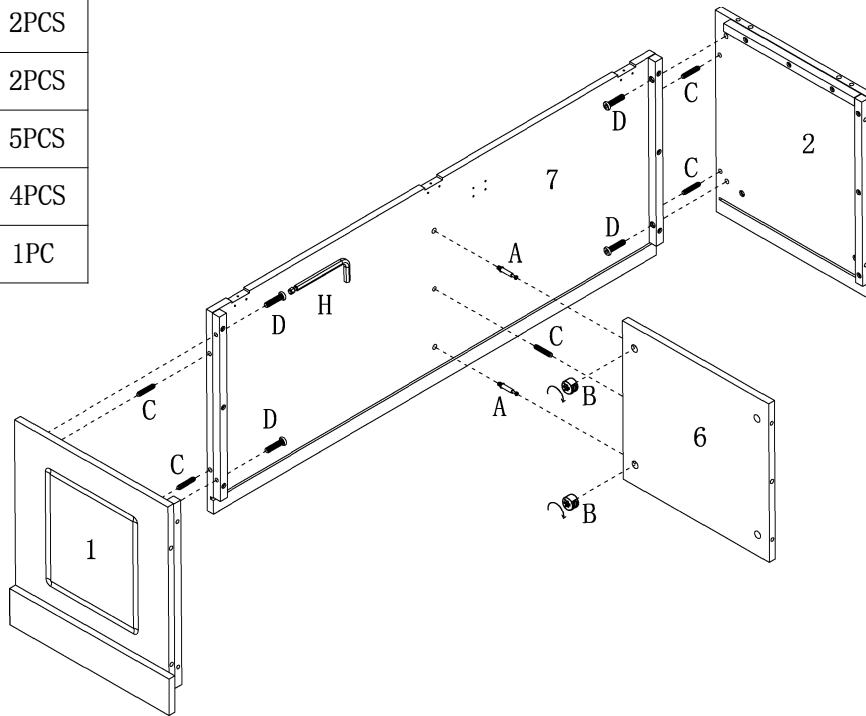
## HIDDEN CONNECTOR.....ASSEMBLY TECHNIQUES



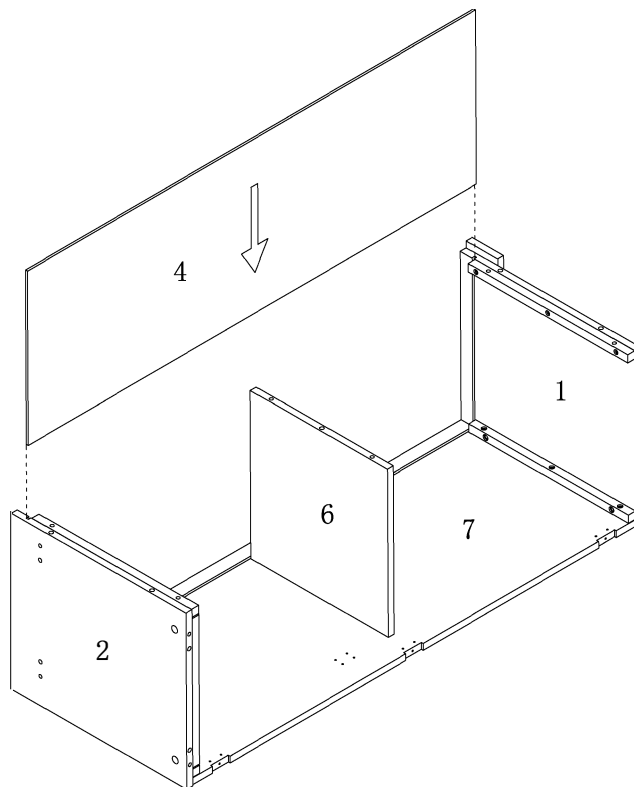
# ASSEMBLY INSTRUCTION

## STEP 1

A:		2PCS
B:		2PCS
C:		5PCS
D:		4PCS
H:		1PC








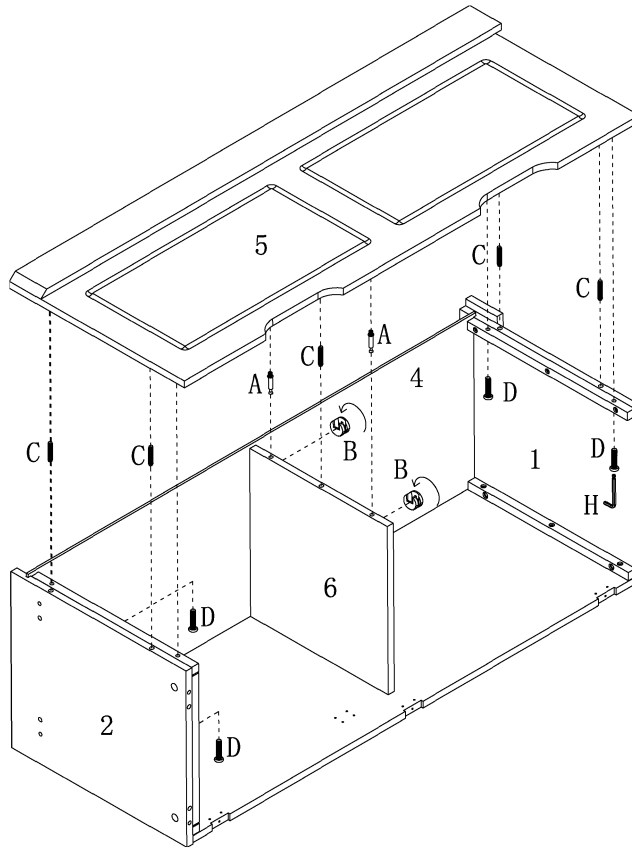
## STEP 2








# ASSEMBLY INSTRUCTION

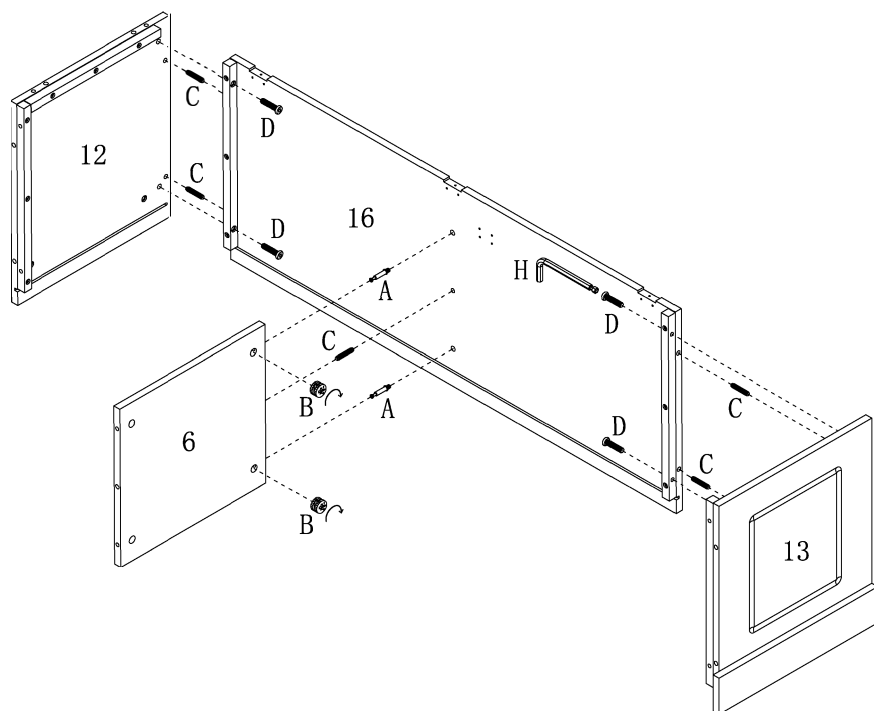
## STEP 3

A:		2PCS
B:		2PCS
C:		5PCS
D:		4PCS
H:		1PC



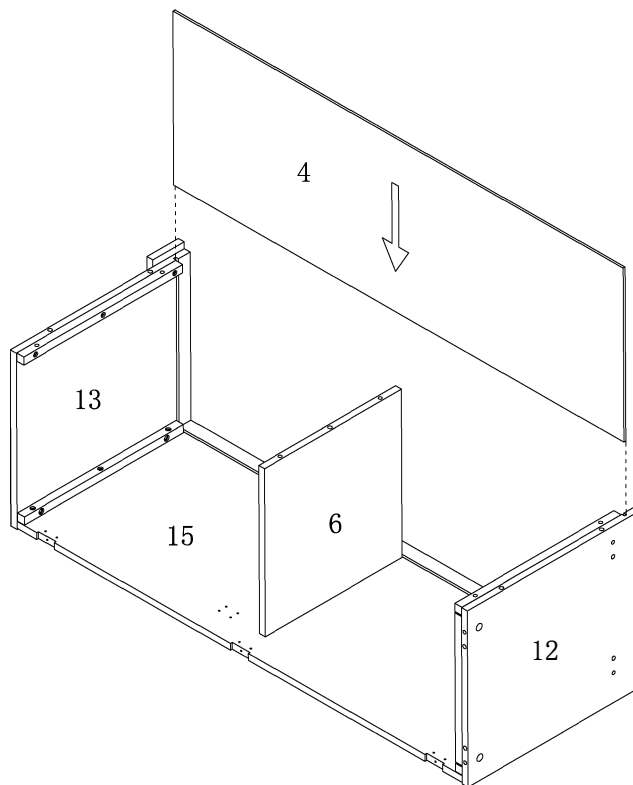
## STEP 4

A:		2PCS
B:		2PCS
C:		5PCS
D:		4PCS
H:		1PC





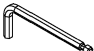


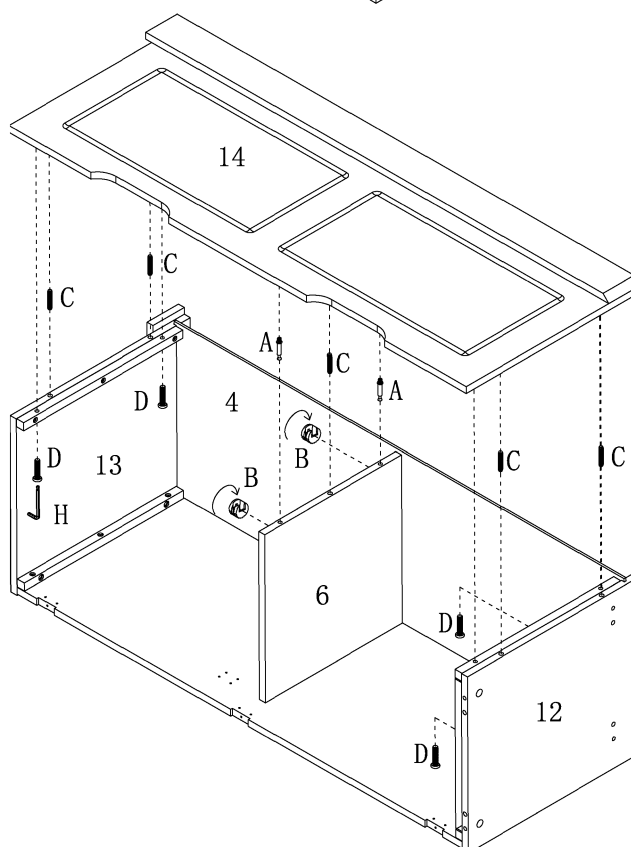
# ASSEMBLY INSTRUCTION

## STEP 5






## STEP 6

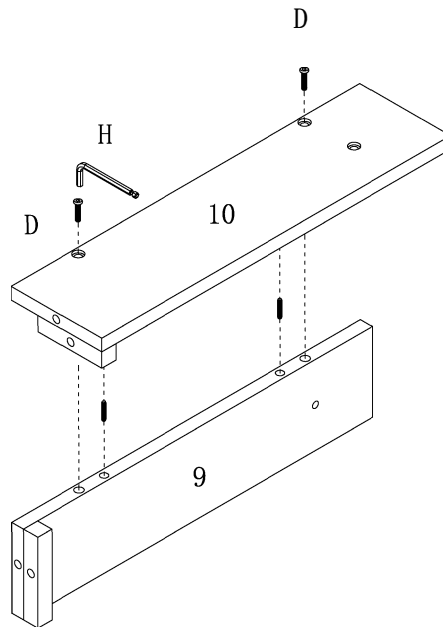
A:		2PCS
B:		2PCS
C:		5PCS
D:		4PCS
H:		1PC





# ASSEMBLY INSTRUCTION

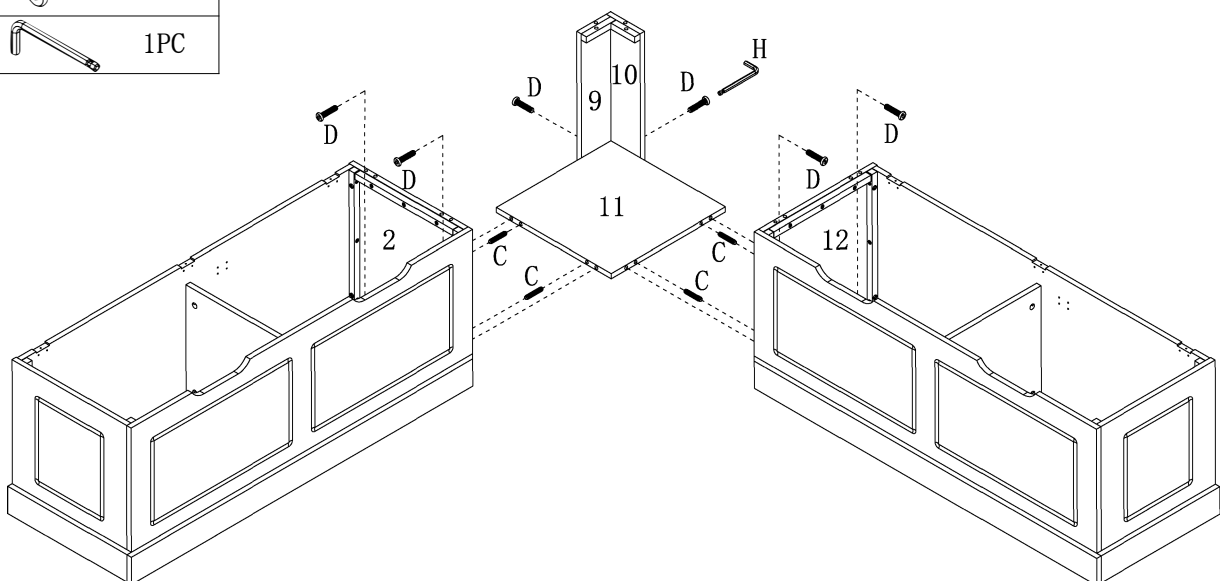
## STEP 7

C:		2PCS
D:		2PCS
H:		1PC







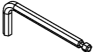
## STEP 8

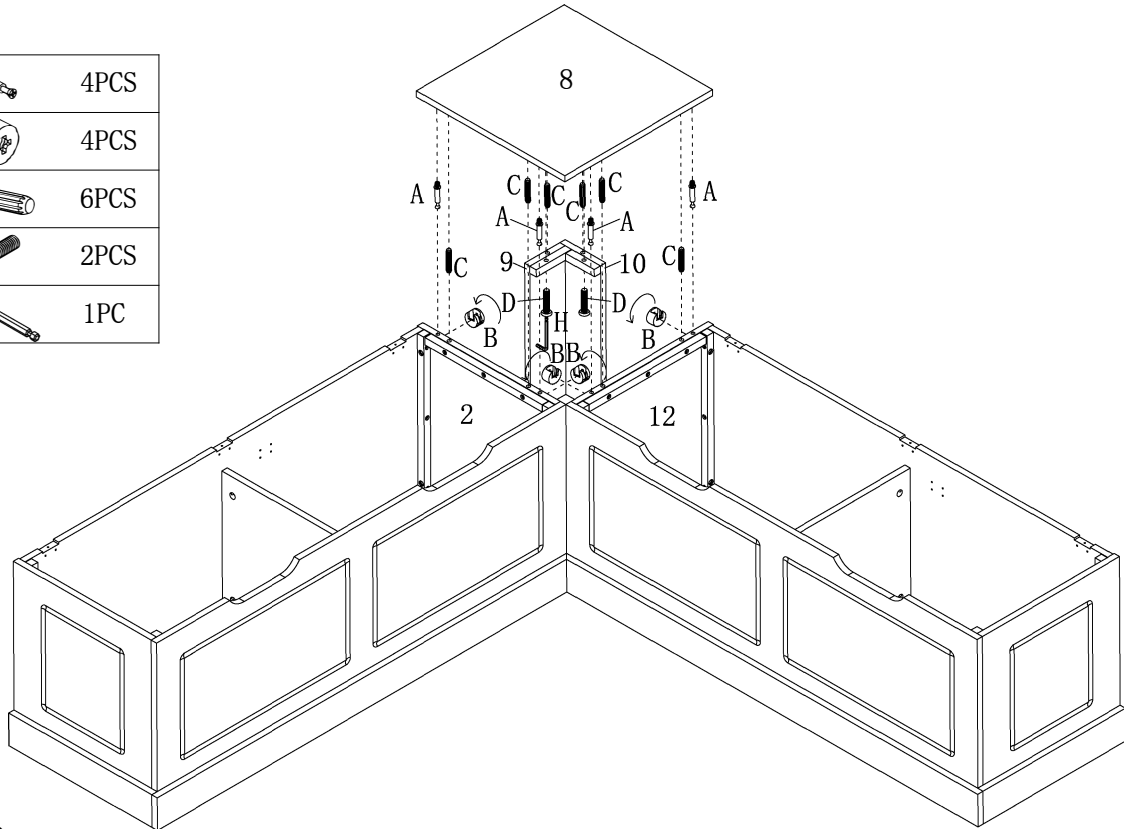
C:		4PCS
D:		6PCS
H:		1PC



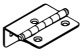

# ASSEMBLY INSTRUCTION

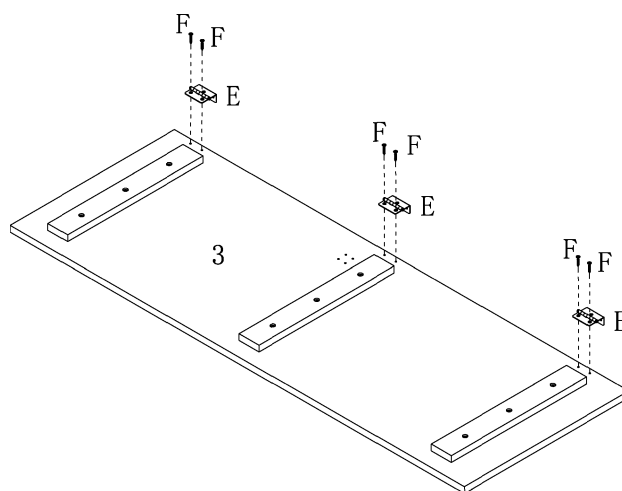
## STEP 9

A:		4PCS
B:		4PCS
C:		6PCS
D:		2PCS
H:		1PC



## STEP 10



E:		6PCS
F:		12PCS



X2

# ASSEMBLY INSTRUCTION

## STEP 11

F:		34PCS
G:		2PCS

