

ASSEMBLY INSTRUCTIONS



SOFA TABLE

REVISION 0 : 09/12/2017
REVISION 1 : 11/03/2022

PAGE 1 OF 4

ASSEMBLY INSTRUCTIONS

ASSEMBLY TIPS:

1. Remove hardware from box and sort by size.
2. Please check to see that all hardware and parts are present prior to start of assembly.
3. Please follow attached instructions in the same sequence as numbered to assure fast & easy assembly.



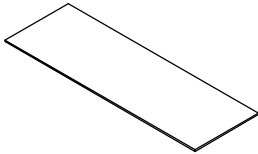
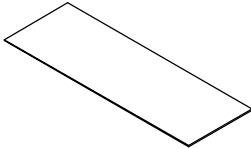
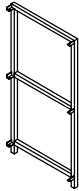
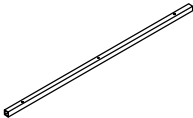
WARNING!

1. Don't attempt to repair or modify parts that are broken or defective. Please contact the store immediately.
2. This product is for home use only and not intended for commercial establishments.







ASSEMBLY TIME 50 MINUTES

PARTS IDENTIFICATION

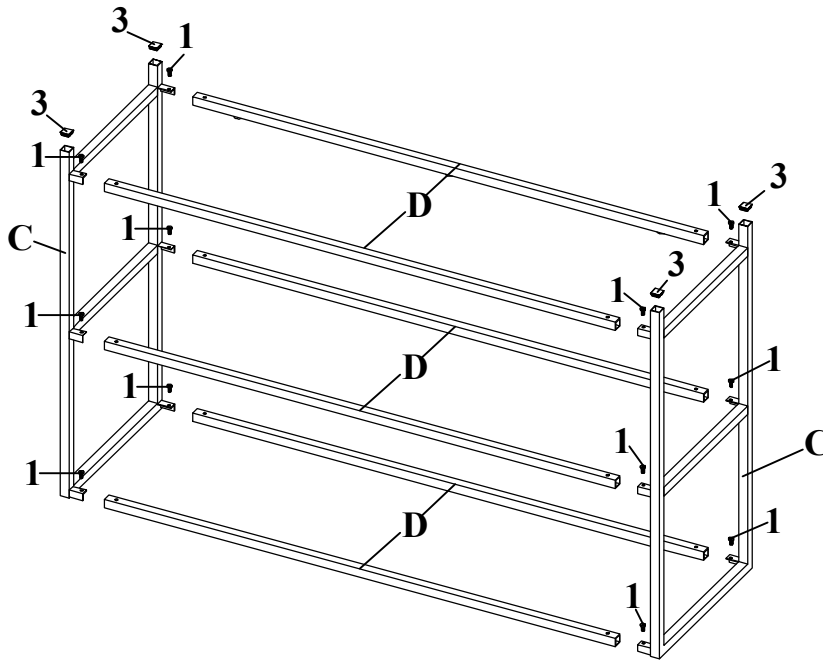
A	TOP GLASS		1PC
B	SHELF GLASS		2PCS
C	SIDE FRAME		2PCS
D	CROSSBAR		6PCS

HARDWARE IDENTIFICATION

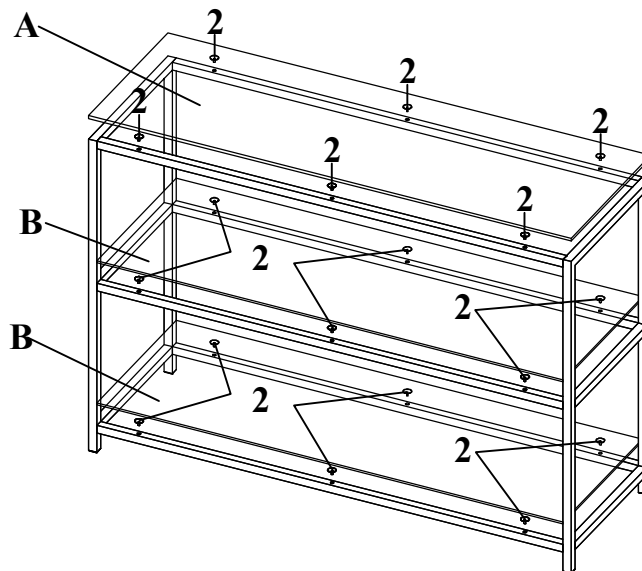
1	BOLT (1/4" x 12mm BLK)		12PCS	3	CAP (25 x 25mm BLK)		4PCS
2	SUCTION CUP (9mm)		18PCS	4	ALLEN WRENCH (4mm)		1PC

ASSEMBLY INSTRUCTIONS

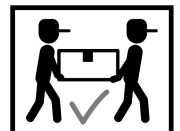
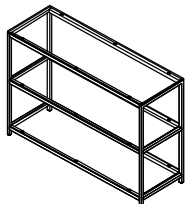
STEP 1 Do not tighten until each step is completed or instructed.



STEP 2



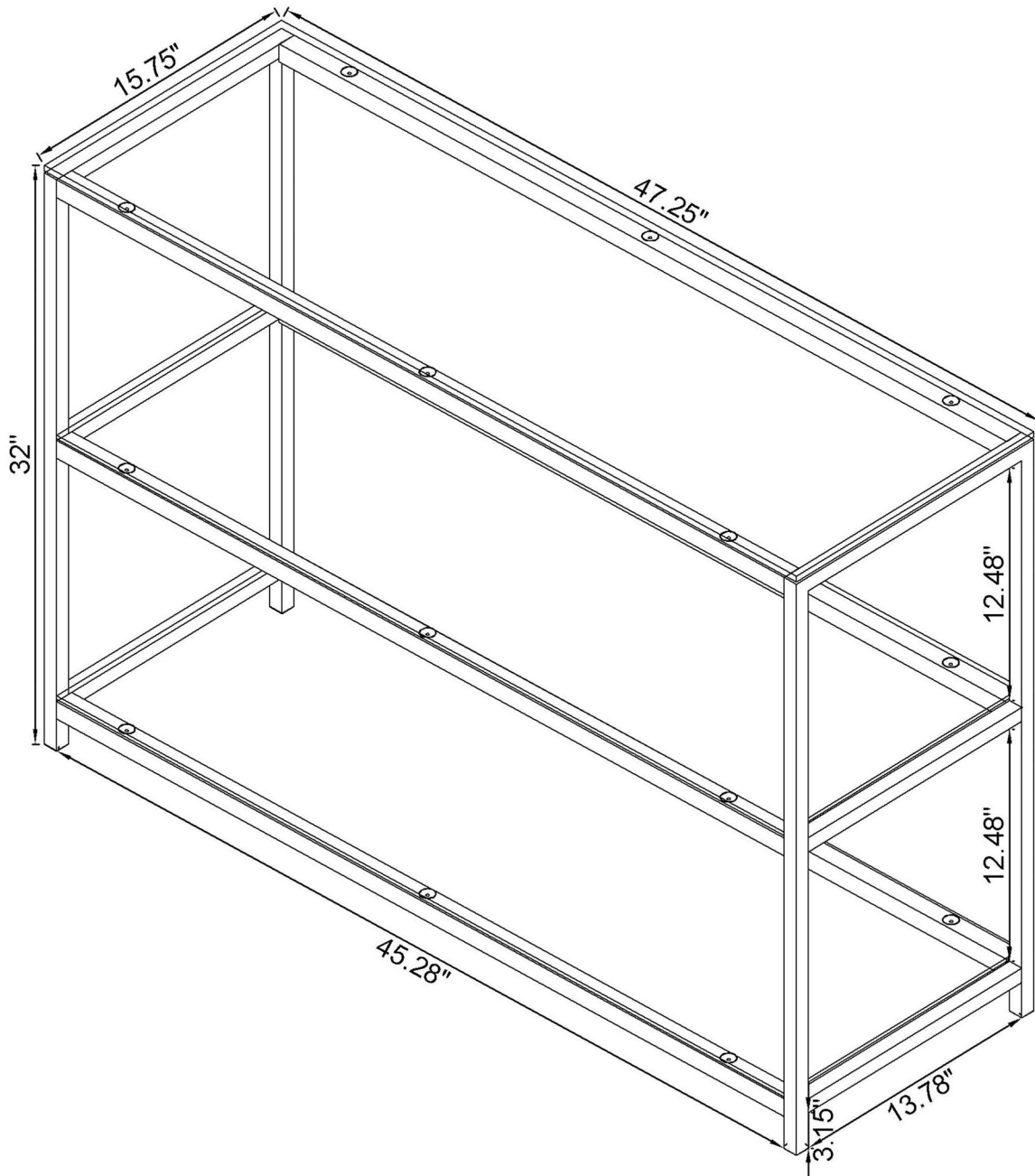
COMPLETE



ASSEMBLY INSTRUCTIONS

Product Size : 1200 X 400 X 813 H (MM)

Product Size : 47.25" X 15.75" X 32"



Note : Dimension tolerance $\pm 5\%$