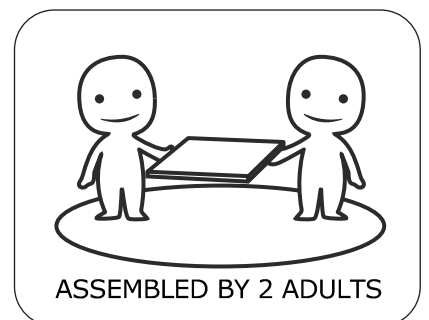
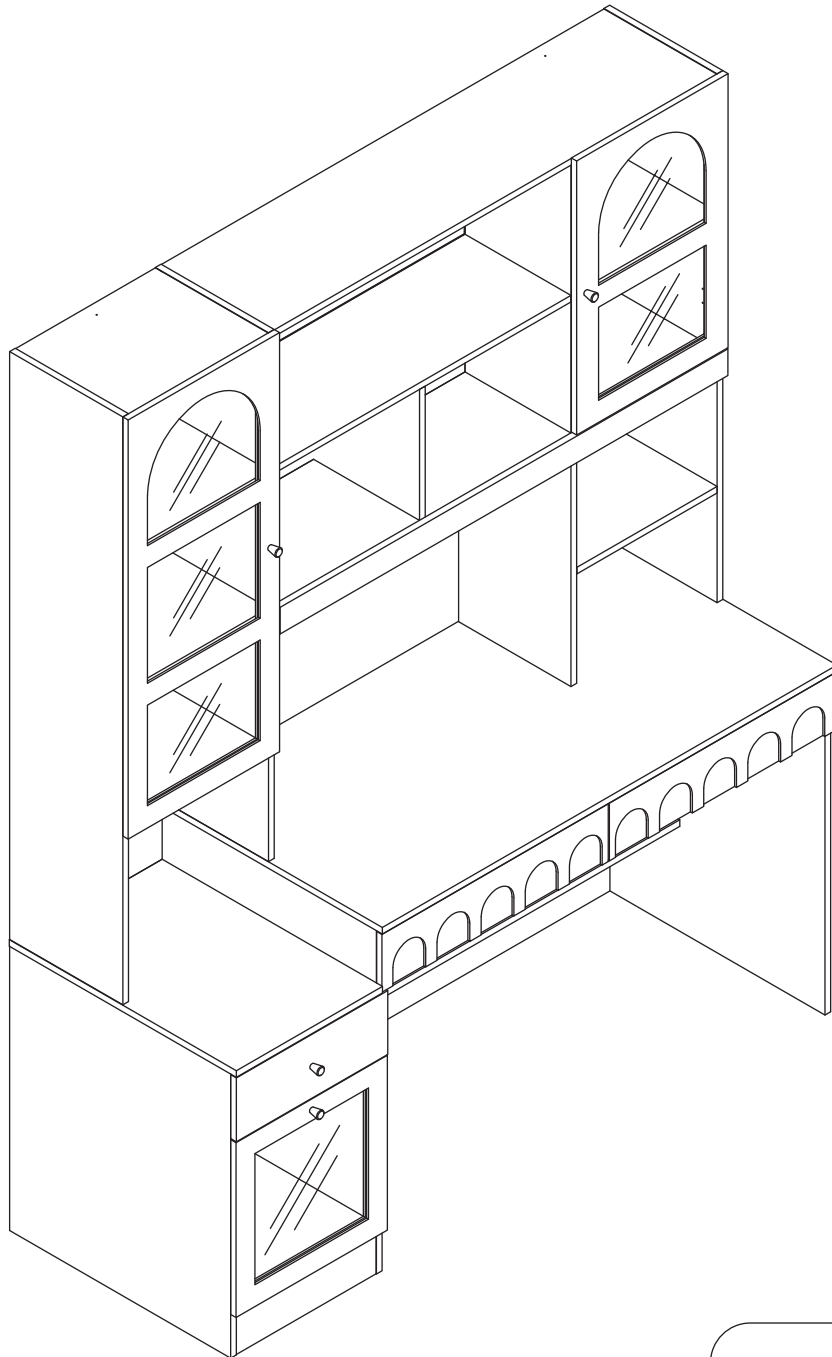


Desk



ASSEMBLED BY 2 ADULTS



IMPORTANT INFORMATION!

please read the entire manual before starting to assemble and/or using this product. follow the manual thoroughly and keep it for further reference.



AVOID SCRATCHES!

In order to avoid scratching this furniture should be assembled on a soft layer- could be a rug.



IMPROVE EFFICIENCY !

Try to find a partner to install with you, which can speed up the installation efficiency and shorten the time.



ANTI-TOPPLE WARNING !

Overturnd furniture can cause serious or fatal crush injuries. To prevent tipping over, be sure to use the wall attachment, if not included with this product. Please purchase the wall attachment that fit your wall. If unsure, seek professional advice. Please read and follow each step of the instructions carefully.

IMPORTANT !

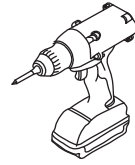
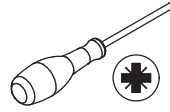
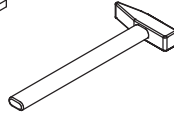
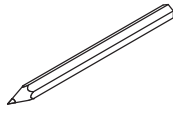
It is important that any product which is assembled using any kind of screw is re-tightened 2 weeks after assembly, and once every 3 months - in order to assure stability through-out the lifespan of the product.

For regular maintenance and cleaning of the product, for the frame, please use a rag dipped in neutral detergent to fully wipe it, and then dry it with a clean rag. For glass materials, wipe with a rag dampened with water glass cleaner, and then dry with a dry rag.

Do not use an electric screwdriver, and do not use too much force when installing, because the board is easy to break.

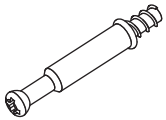


Please prepare the following tools



When installing, please carefully confirm whether each screw corresponds to the manual, accessories with similar shapes can be distinguished by size

A x 111



Ø6 x 35 mm

B x 111



Ø15 x 9.6 mm

C x 89



Ø6 x 30 mm

D x 22



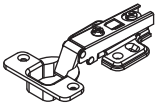
Ø4 x 35 mm

E x 36



Ø3 x 12 mm

F x 6



G x 36



Ø4 x 14 mm

H x 4



I x 4



Ø4 x 16 mm

J x 4

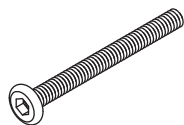


Ø6 x 12 mm

K x 1

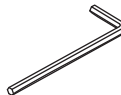


L x 1

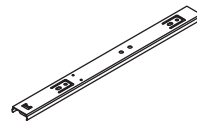


Ø6 x 50 mm

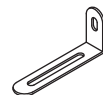
M x 1



N x 3



O x 2

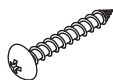


P x 2



Ø4 x 12 mm

Q x 2



Ø4 x 35 mm

R x 2



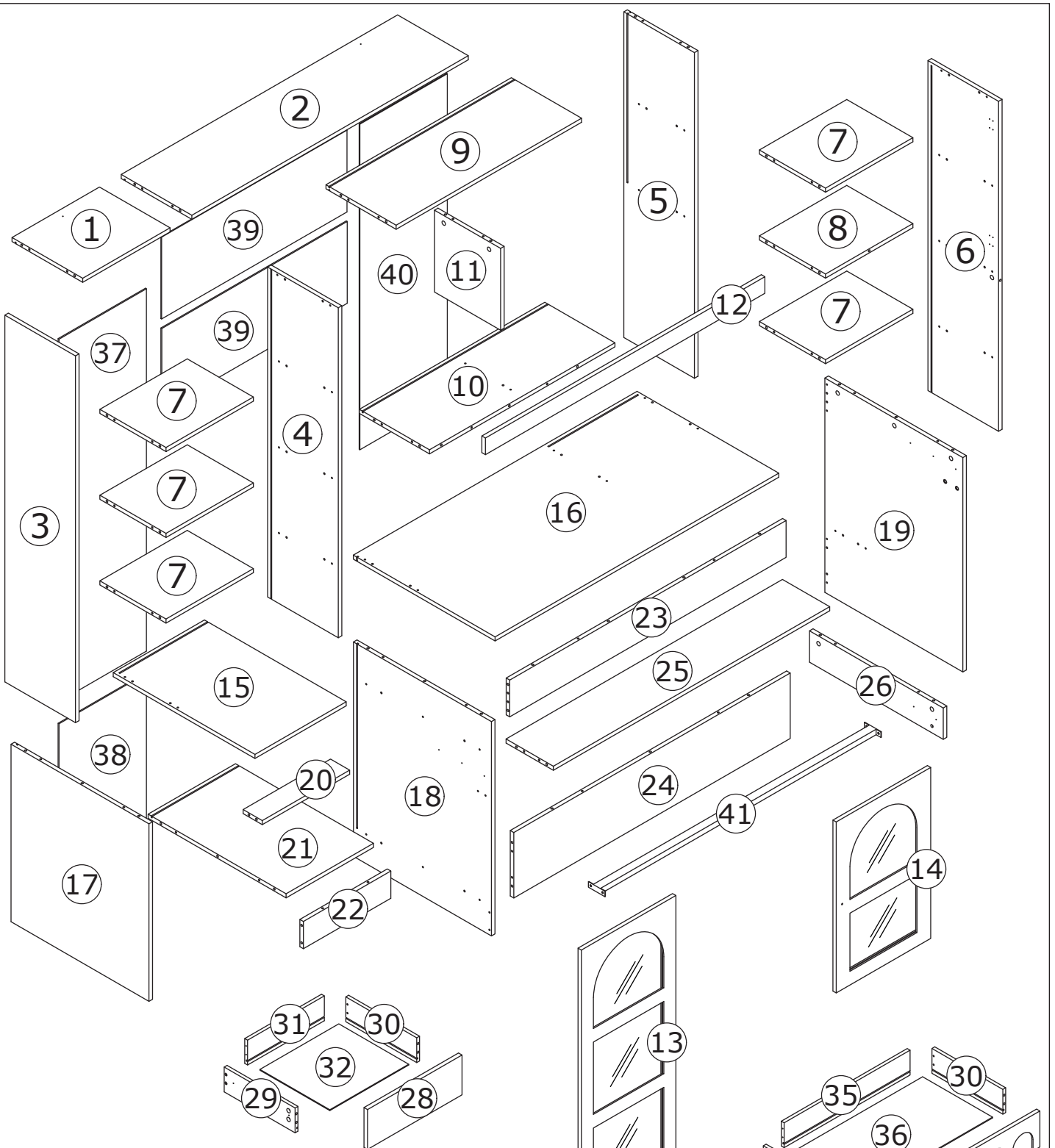
S x 20



T x 20



Ø3 x 14 mm



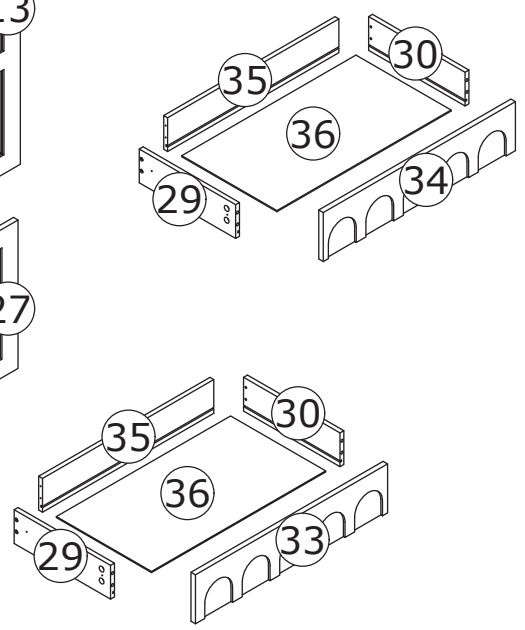
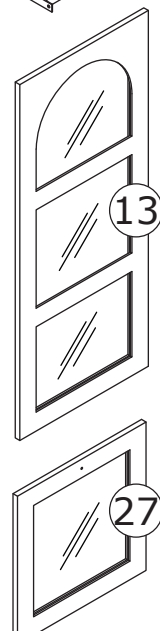
⚠ WARNING



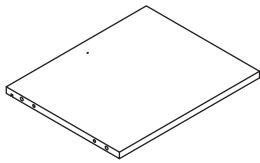
Children have died from furniture tipover. To reduce the risk of furniture tipover:

- ALWAYS install Anti-tip device provided.
- NEVER put a TV on this product.
- NEVER allow children to stand, climb or hang on drawers, doors, or shelves.
- NEVER open more than one drawer at a time.
- Place heaviest items in the lowest drawers.

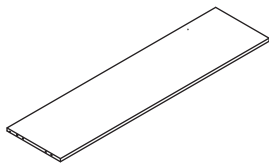
*This is a permanent label.
Do not remove!*



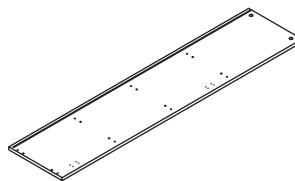
① x1



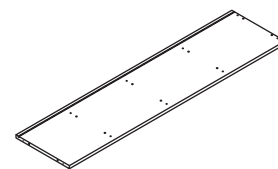
② x1



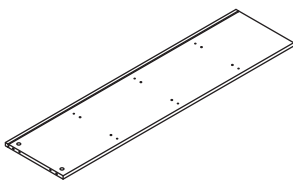
③ x1



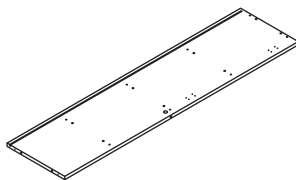
④ x1



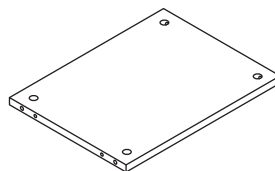
⑤ x1



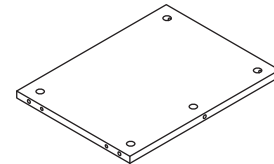
⑥ x1



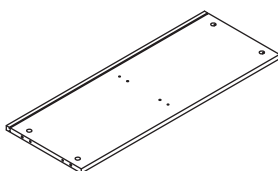
⑦ x5



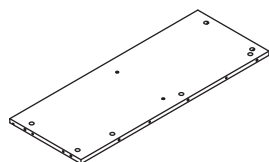
⑧ x1



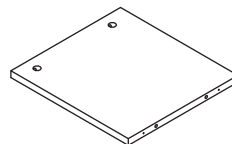
⑨ x1



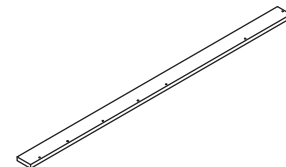
⑩ x1



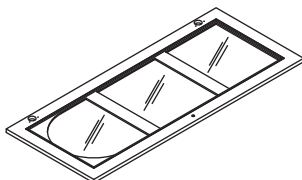
⑪ x1



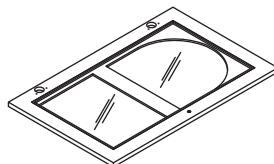
⑫ x1



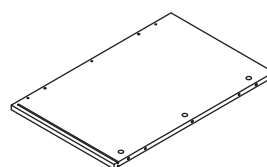
⑬ x1



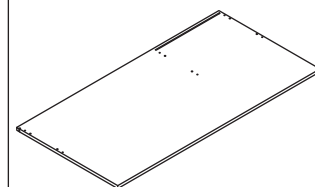
⑭ x1



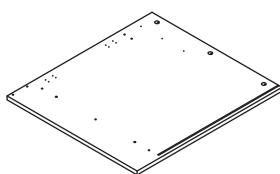
⑮ x1



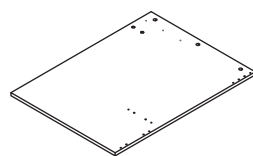
⑯ x1



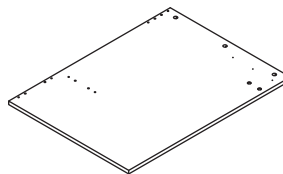
⑰ x1



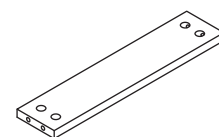
⑱ x1



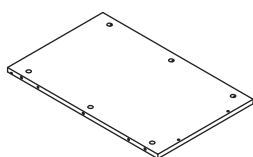
⑲ x1



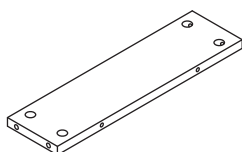
⑳ x1



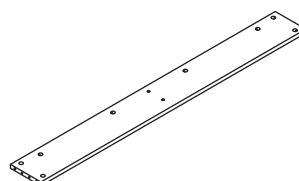
㉑ x1



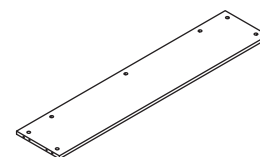
㉒ x1



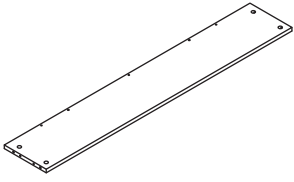
㉓ x1



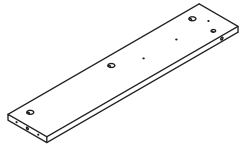
㉔ x1



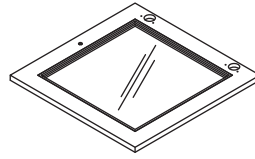
25 x1



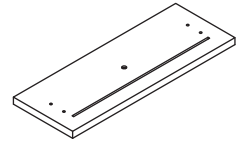
26 x1



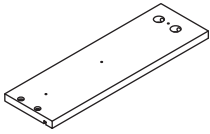
27 x1



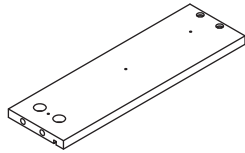
28 x1



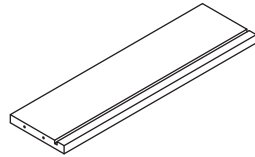
29 x3



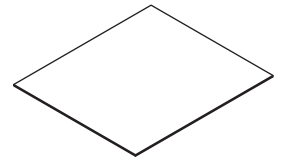
30 x3



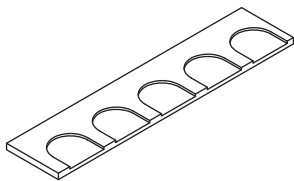
31 x1



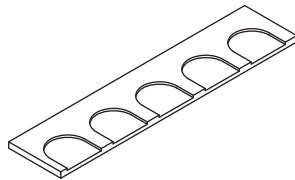
32 x1



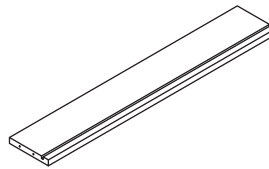
33 x1



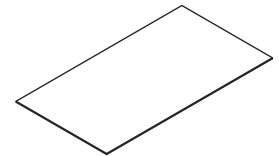
34 x1



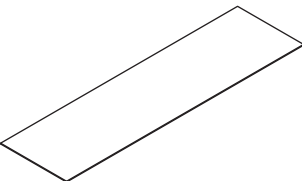
35 x2



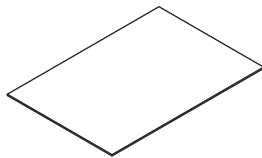
36 x2



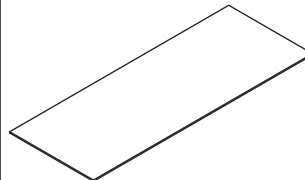
37 x1



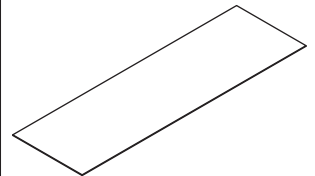
38 x1



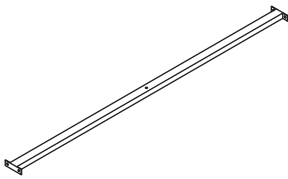
39 x2



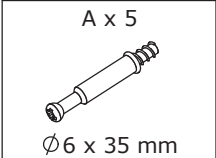
40 x1



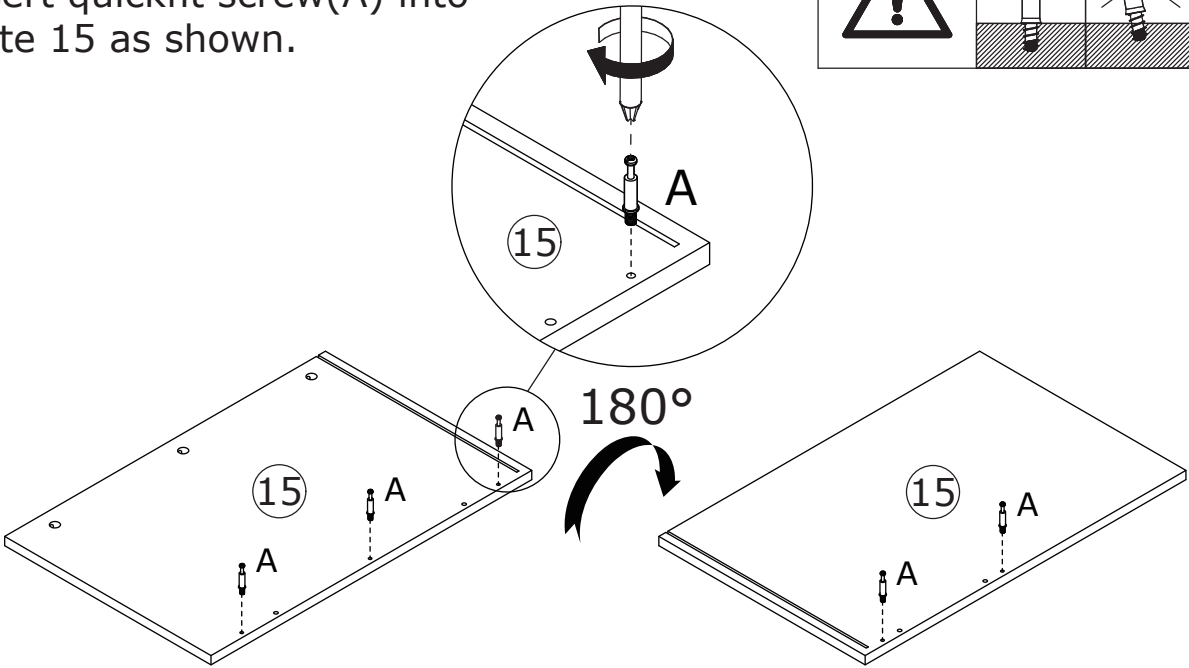
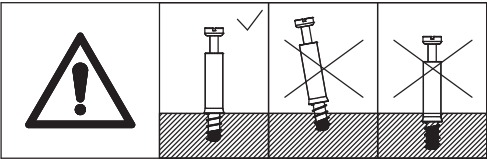
41 x1



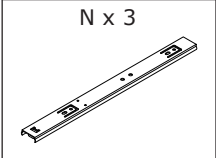
1



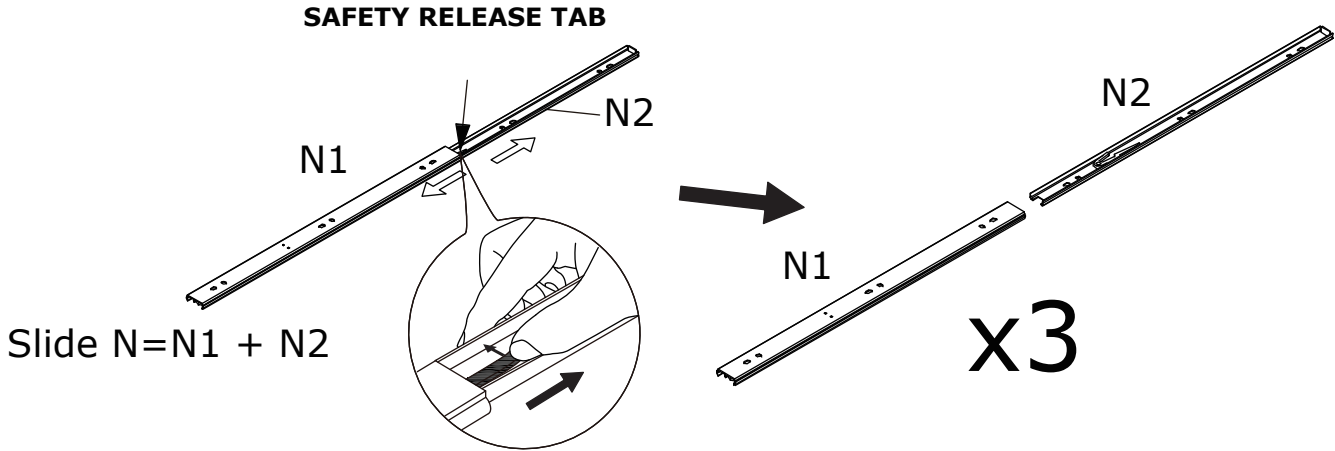
Insert quickfit screw(A) into plate 15 as shown.



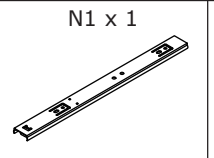
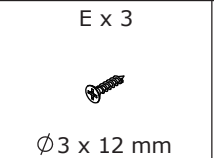
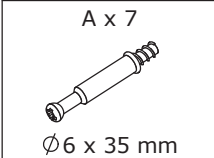
2



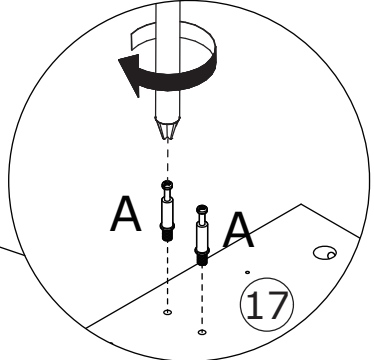
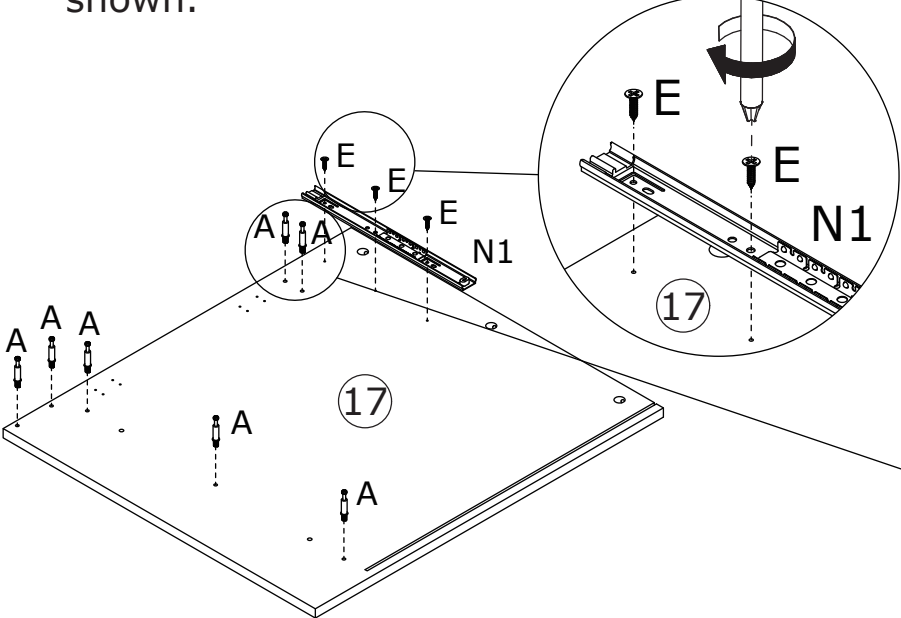
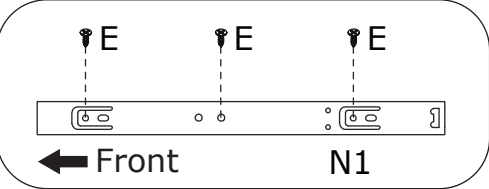
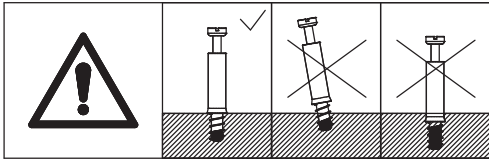
Pull out and separate the slide(N) into two parts, (N1) and (N2) as shown.



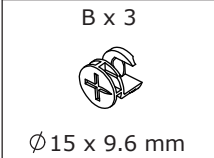
3



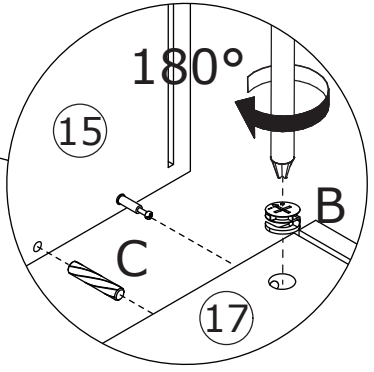
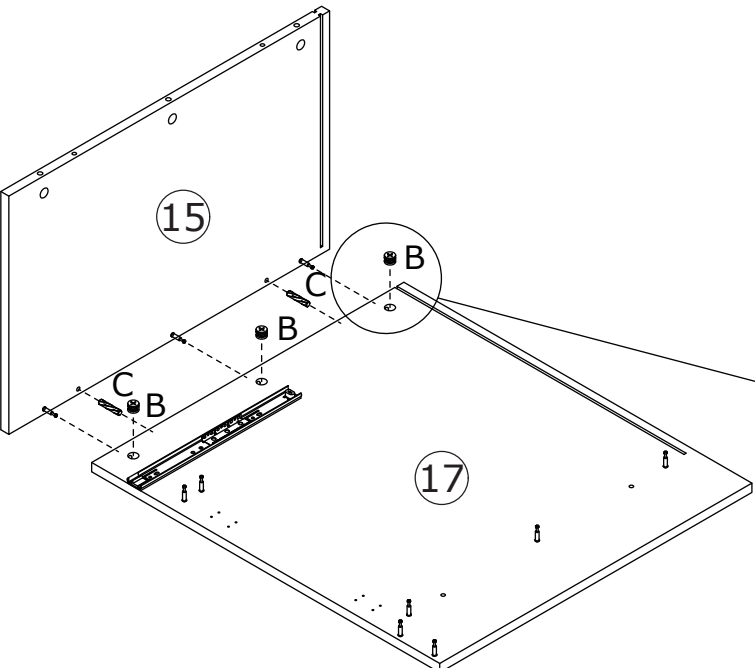
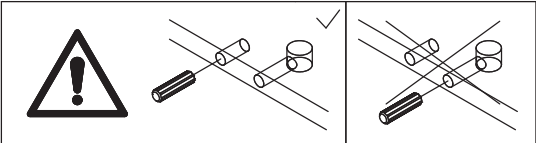
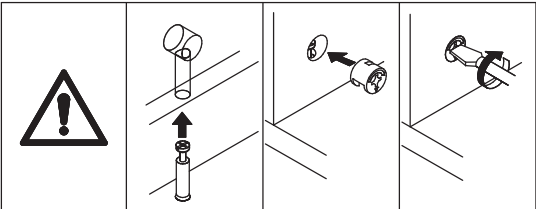
Fix slide rail(N1) to plate 17 and with screw(E) as shown.
Insert quickfit screw(A) into late 17 as shown.



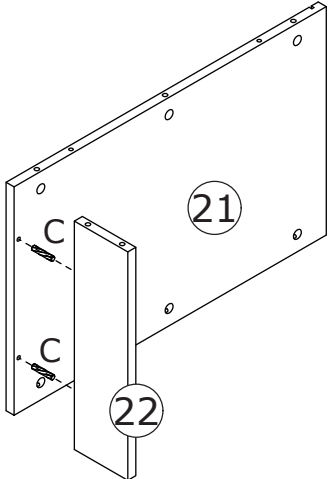
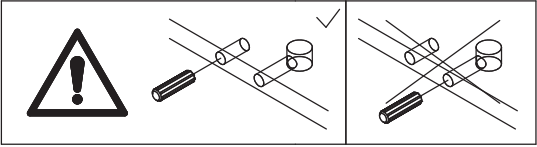
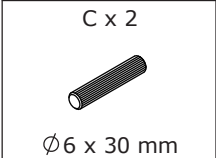
4



Attach plate 15 to plate 17 with wooden dowel(C) and turn cam lock(B) clockwise to tighten as shown.

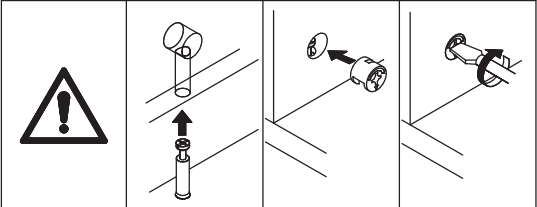
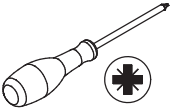
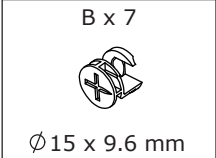


5

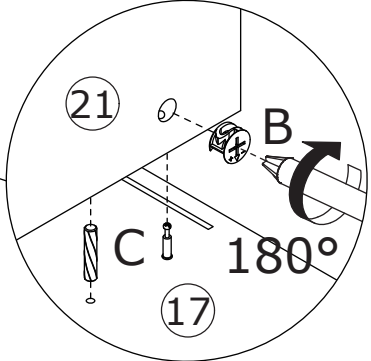
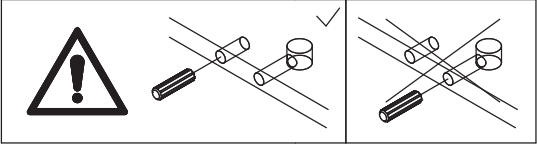
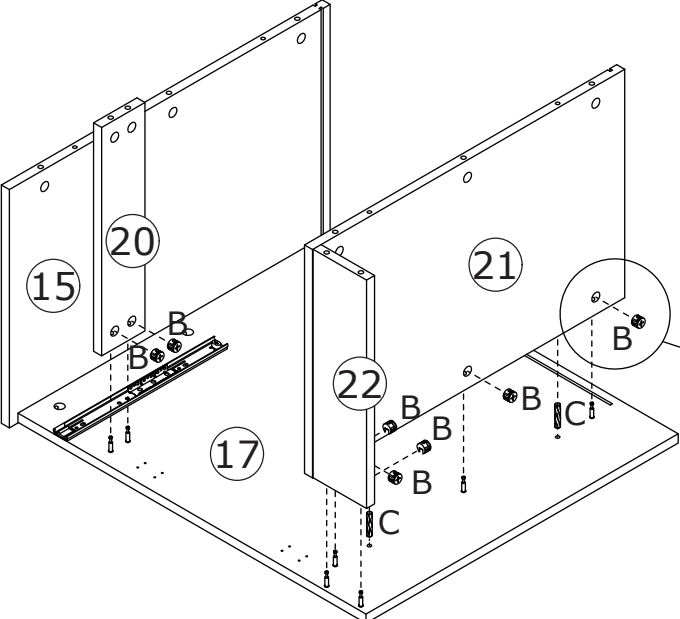


Attach plate 22 to plate 21 with wooden dowel(C) as shown.

6

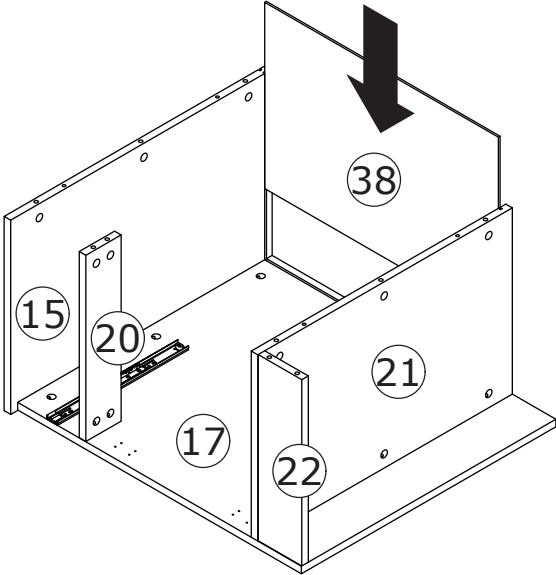


Attach plate 20, 21, 22 to plate 17 with wooden dowel(C) and turn cam lock(B) clockwise to tighten as shown.

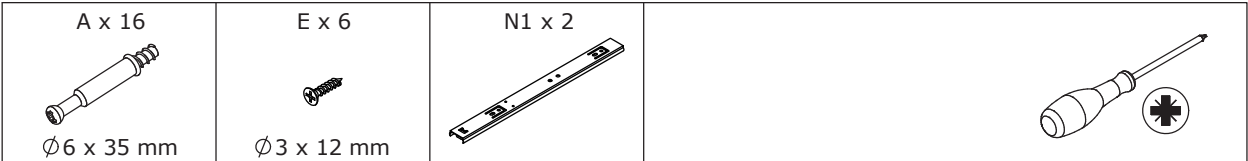


7

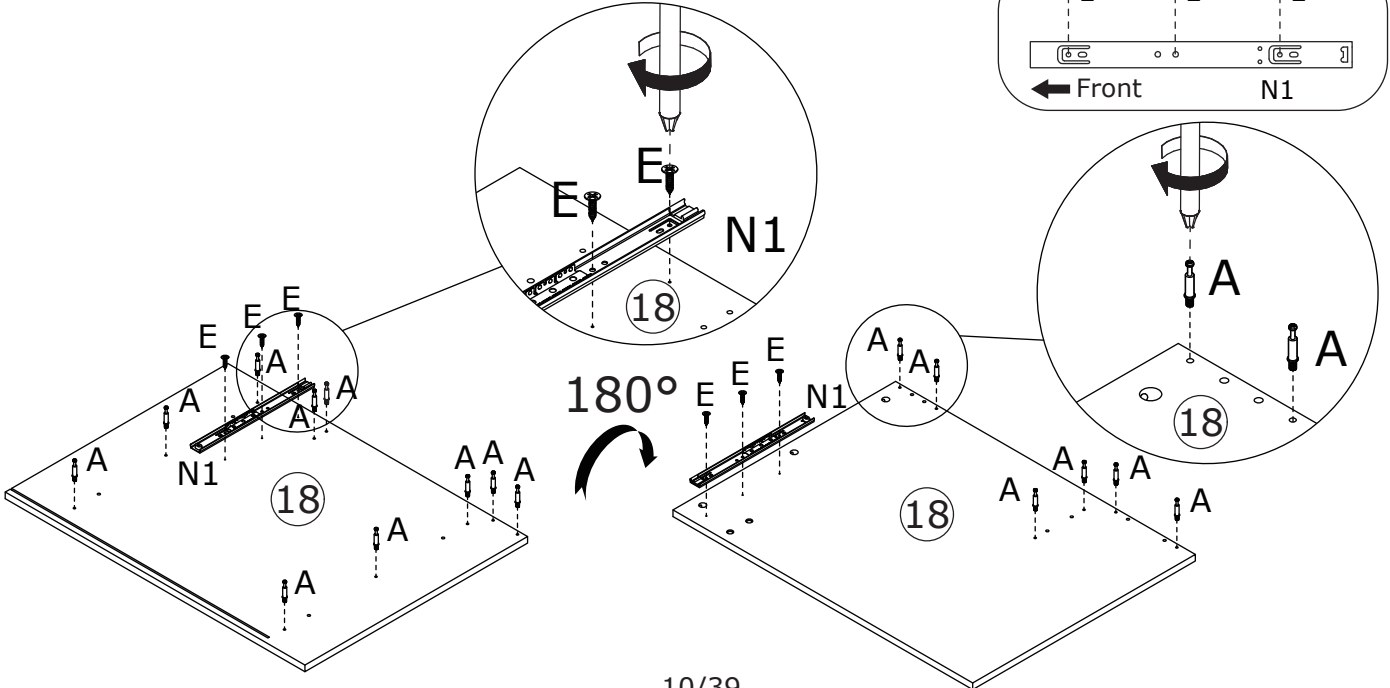
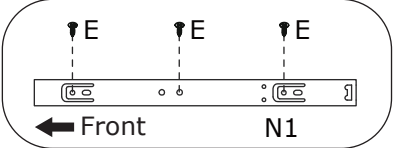
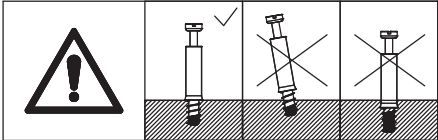
Slide plate 38 into available slots.




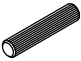
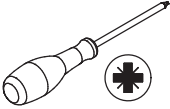
8



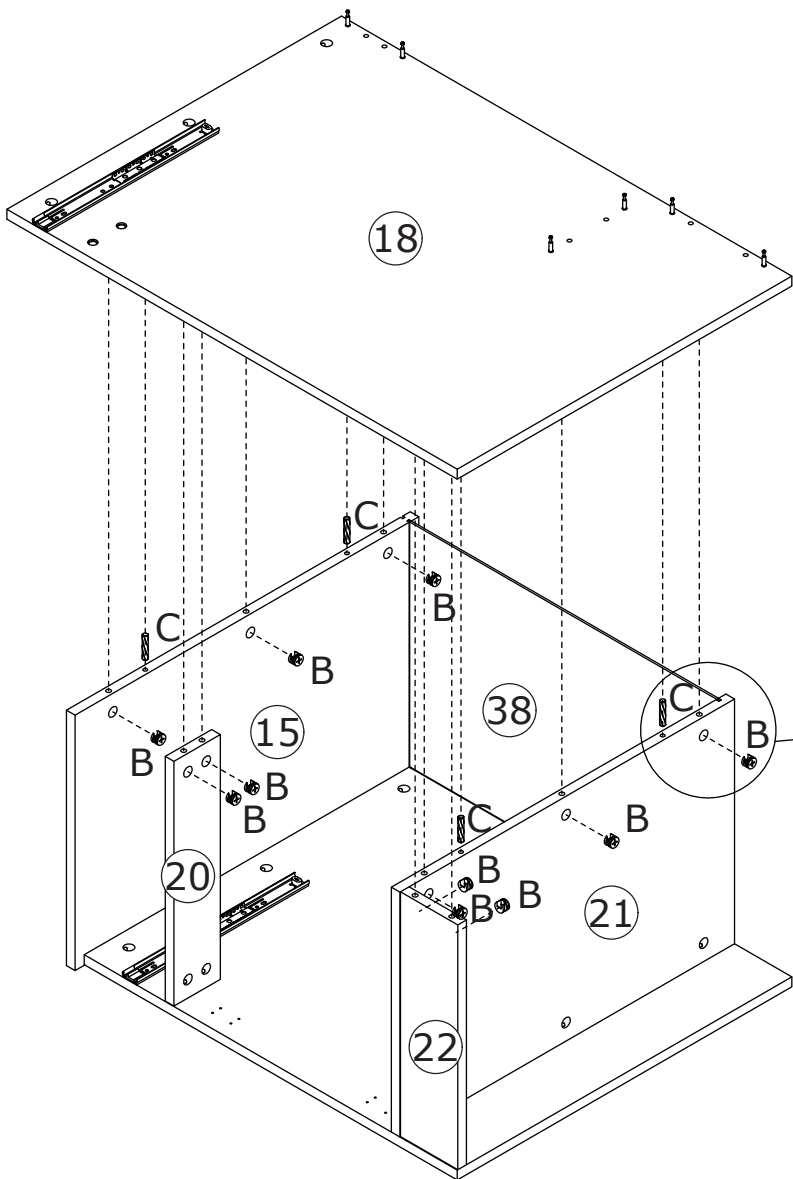
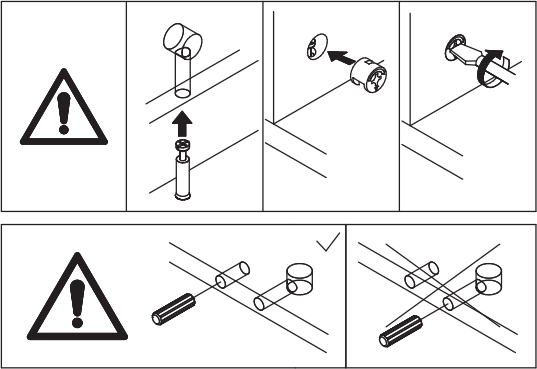
Fix slide rail(N1) to plate 18 with screw(E) and insert quickfit screw(A) into at first. Flip to back, fix slide rail(N1) and insert quickfit screw(A) into as well.



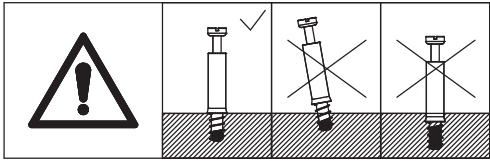
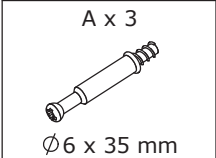
9

<p>B x 10  Ø15 x 9.6 mm</p>	<p>C x 4  Ø6 x 30 mm</p>	
--	---	---

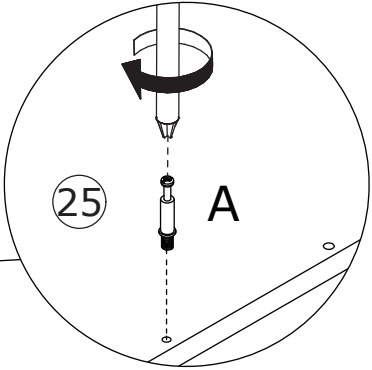
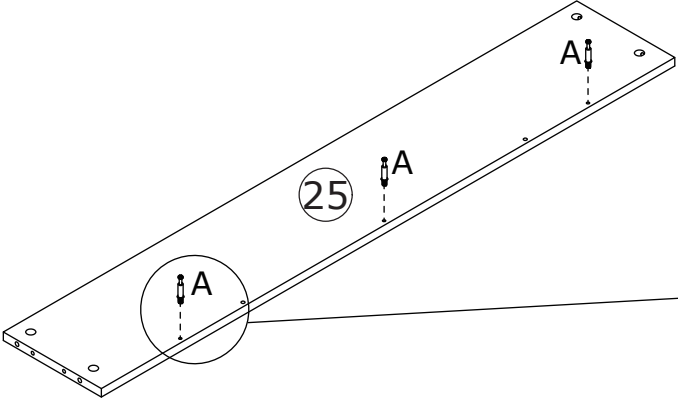
Attach plate 18 to plate 15, 20, 21, 22 with wooden dowel(C) and turn cam lock (B) clockwise to tighten as shown.



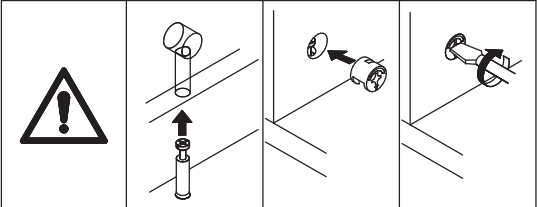
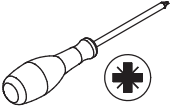
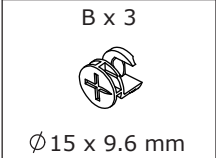
10



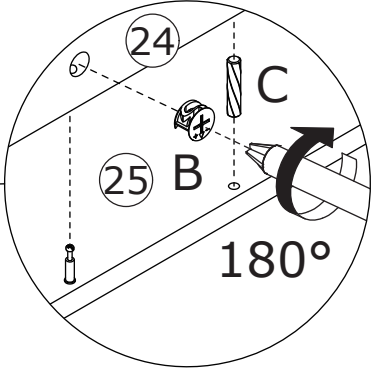
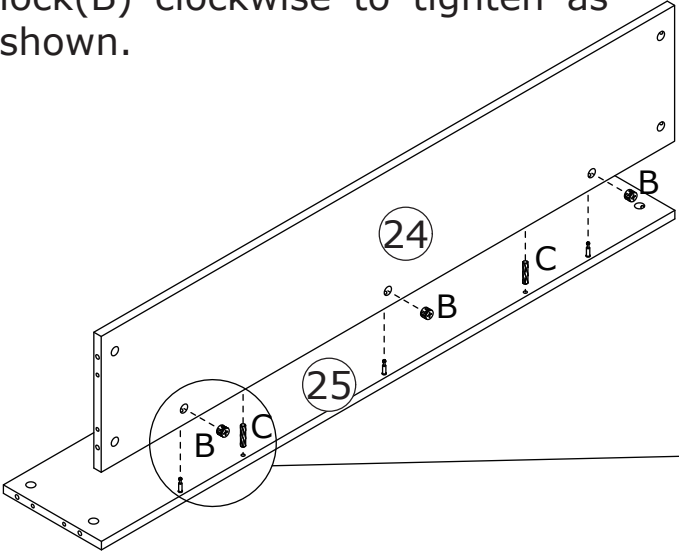
Insert quickfit screw(A) into plate 25 as shown.



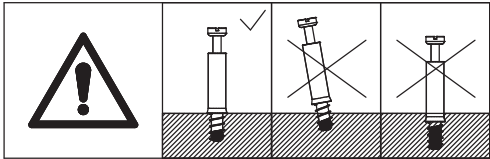
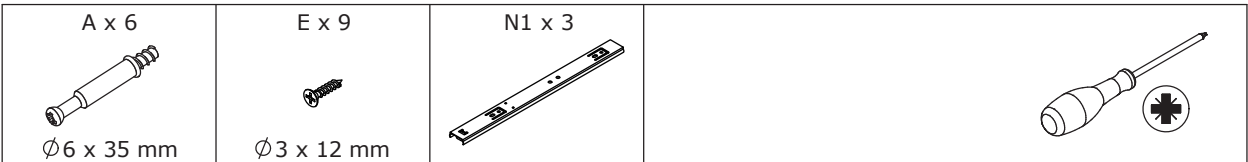
11



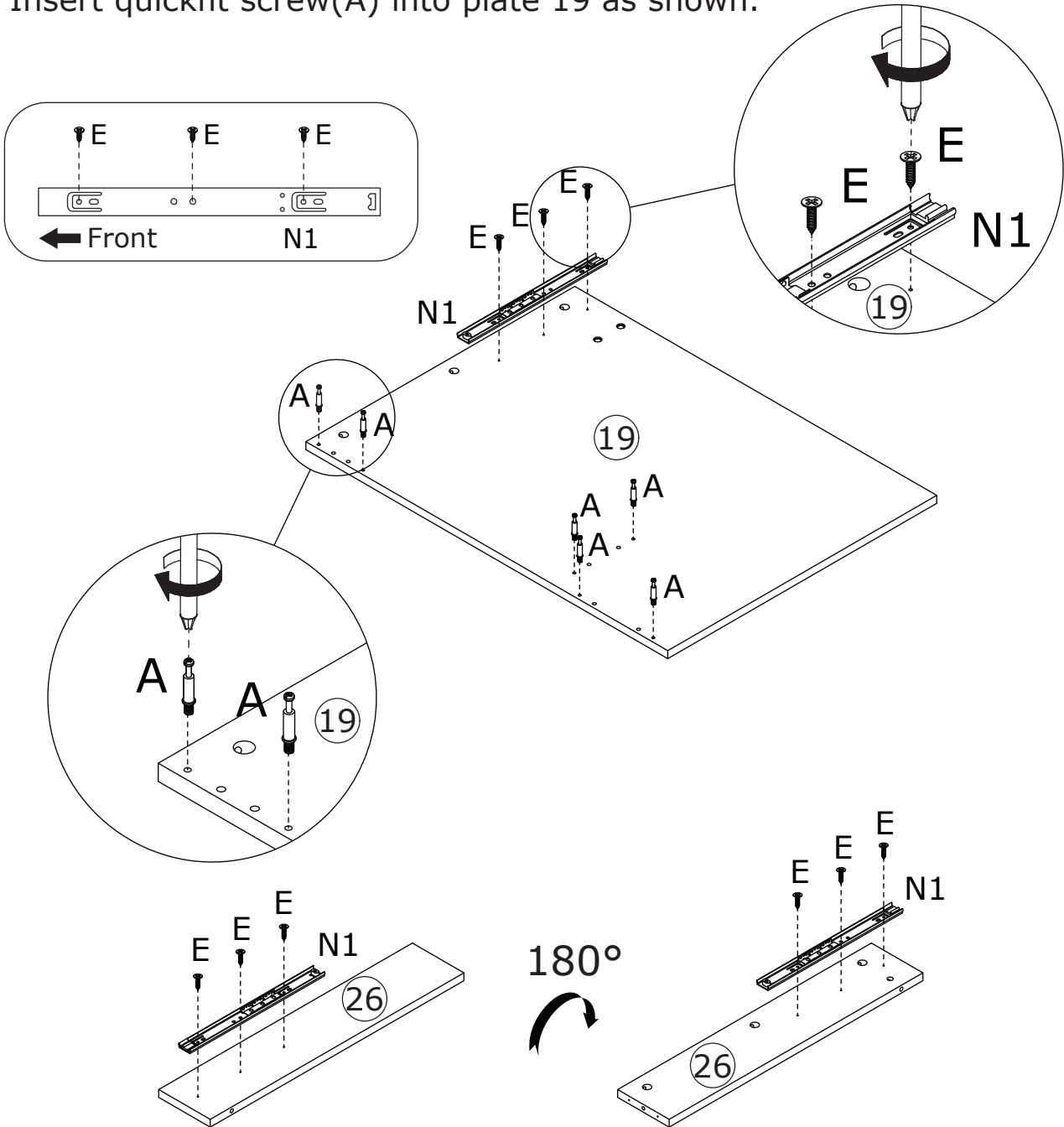
Attach plate 24 to plate 25 with wooden dowel(C) and turn cam lock(B) clockwise to tighten as shown.



12


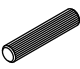

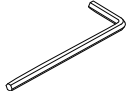
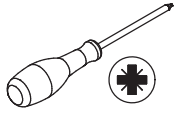


Fix slide rail(N1) to plate 19 with screw(E) as shown.
Insert quickfit screw(A) into plate 19 as shown.



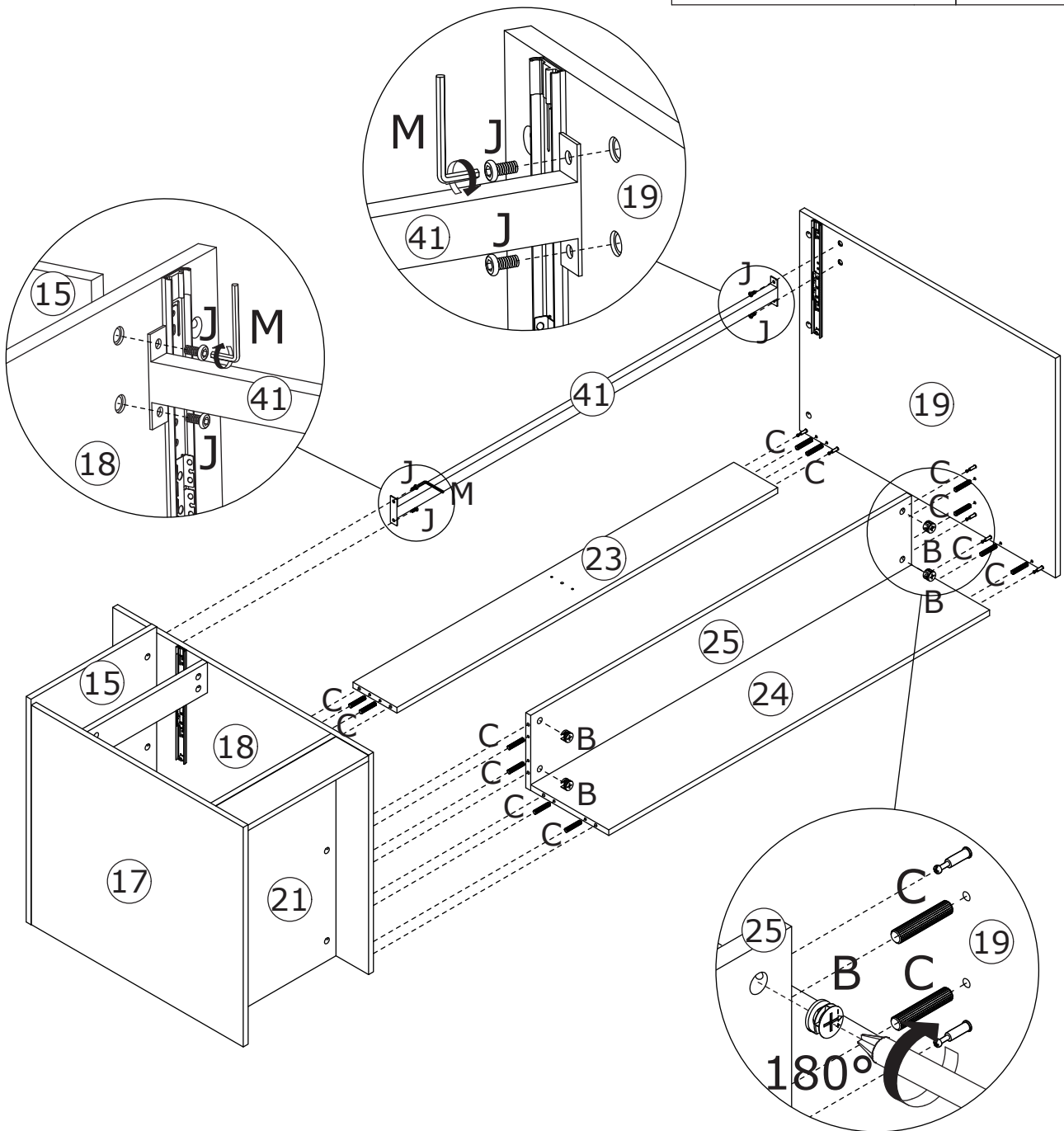
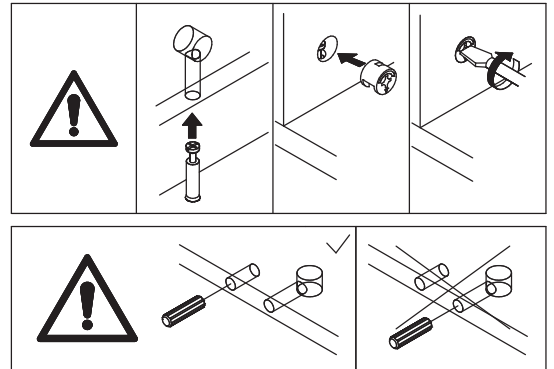
Fix slide rail(N1) to two sides of plate 26 with screw(E) as shown.

13

B x 4  Ø 15 x 9.6 mm	C x 12  Ø 6 x 30 mm	J x 4  Ø 6 x 12 mm	M x 1 	
--	---	--	--	---

Attach plate 23, 25, 24 to plate 18, 19 with wooden dowel(C) and turn cam lock(B) clockwise to tighten as shown.

Fix tube 41 to plate 18, 19 with screw(J) as shown.



14

B x 8



Ø 15 x 9.6 mm

C x 1

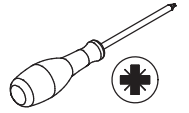


Ø 6 x 30 mm

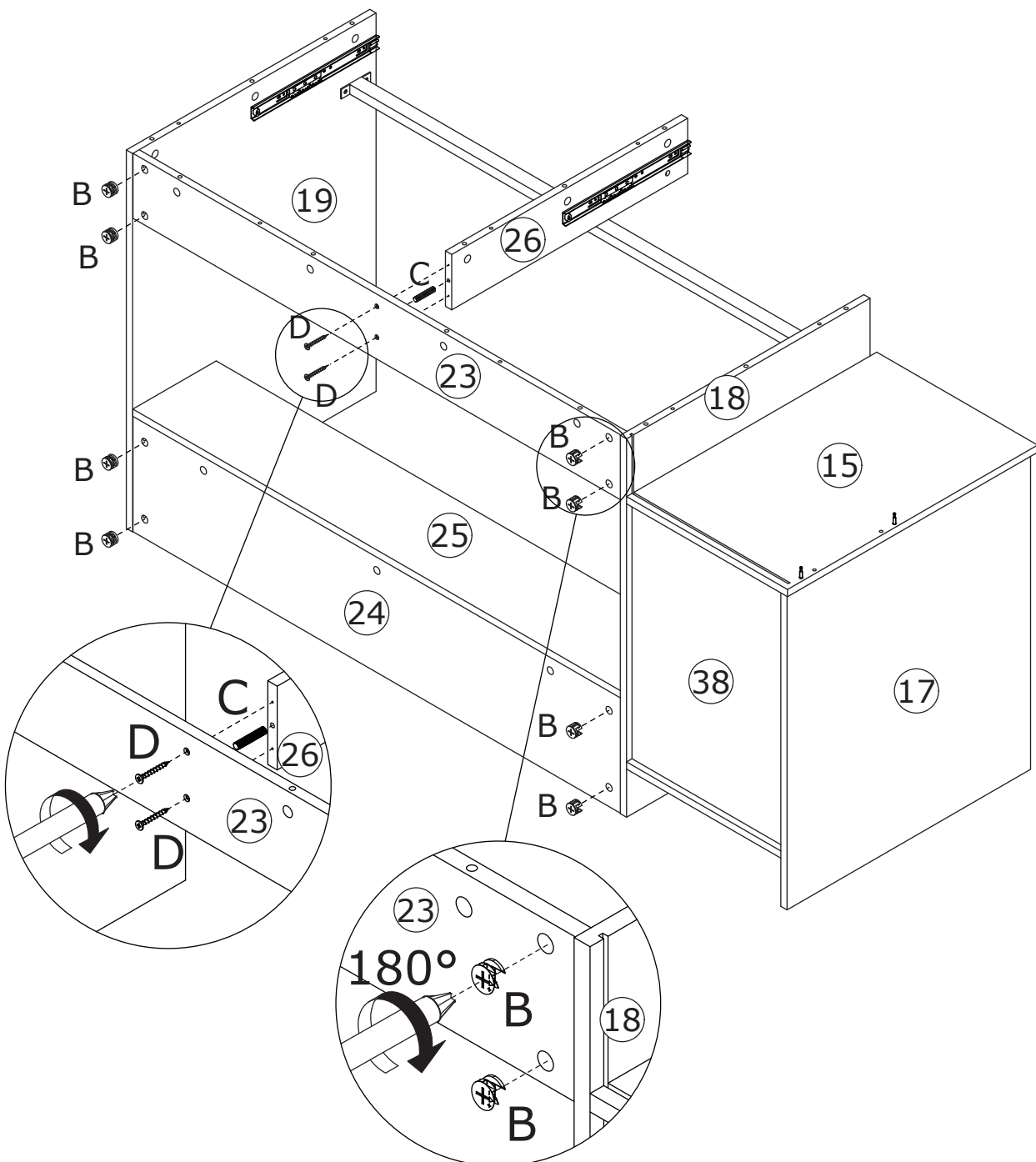
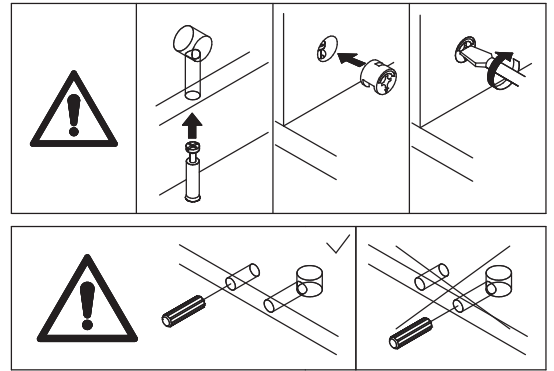
D x 2





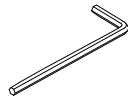
Ø 4 x 35 mm



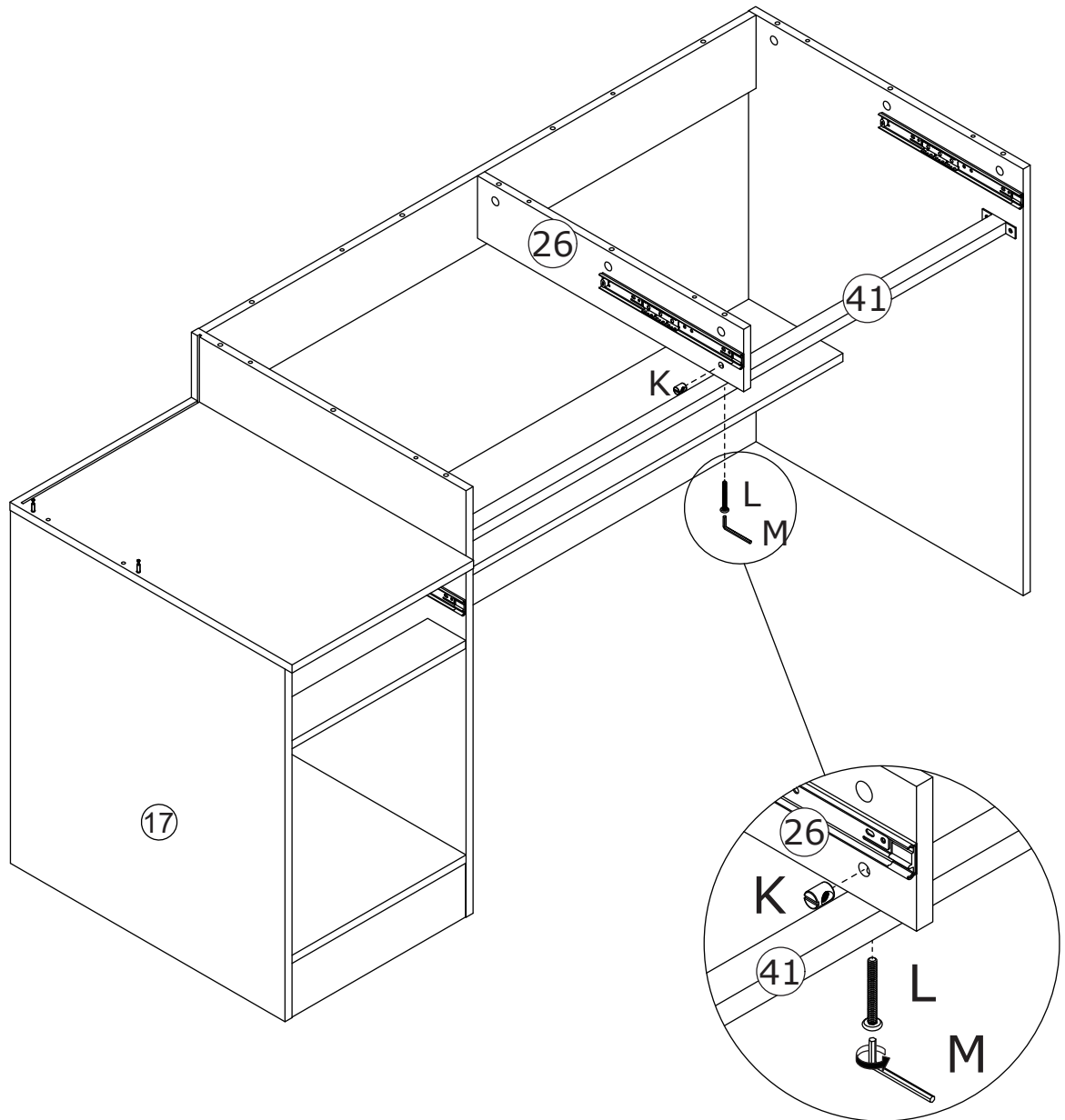
Attach plate 26 to plate 23 with wooden dowel(C) and then fix with screw(D) as shown.
Turn cam locks(B) in plate 23 and plate 24 clockwise to tighten as shown.



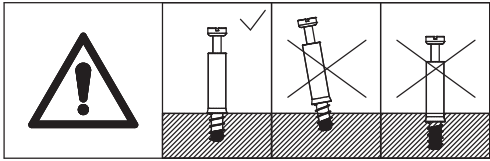
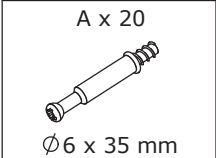
15

K x 1 	L x 1  Ø6 x 50 mm	M x 1 	
--	--	--	--

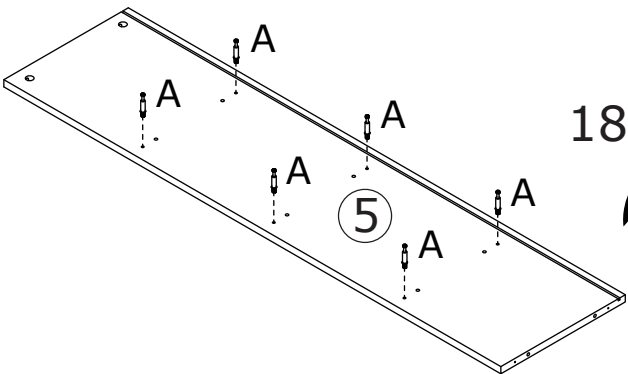
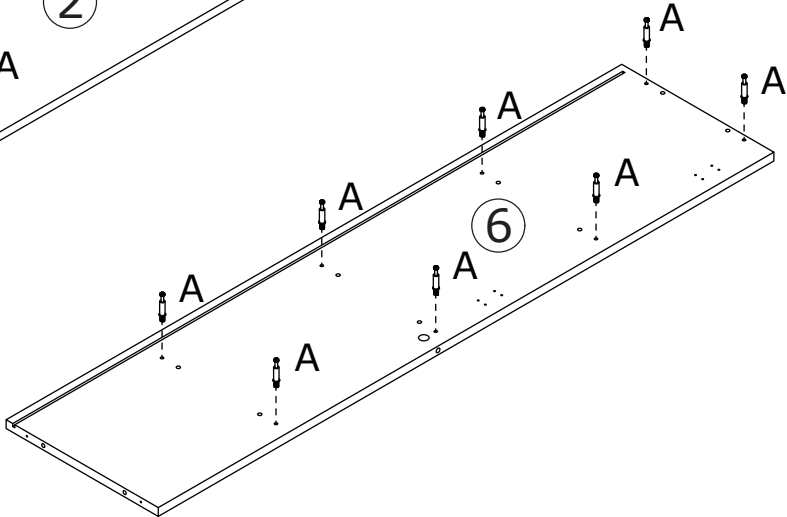
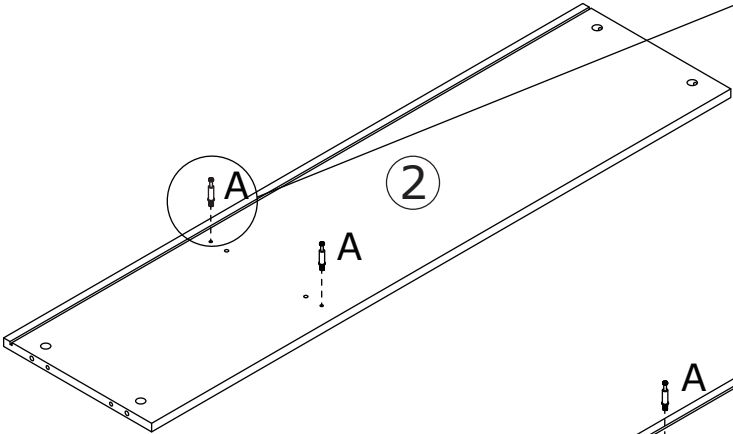
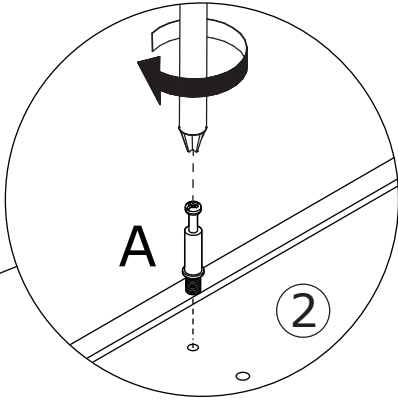
Put nut(K) into the hole on plate 26, fix tube 41 to plate 26 with screw(L) as shown.



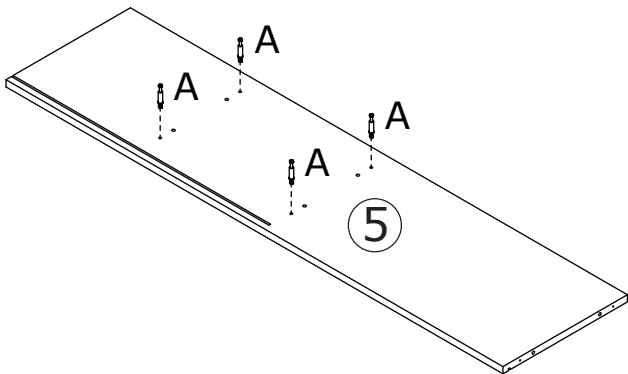
16



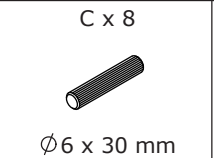
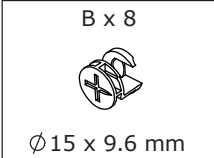
Insert quickfit screw(A) into plate 2, 6, and 5 with a screwdriver as shown.



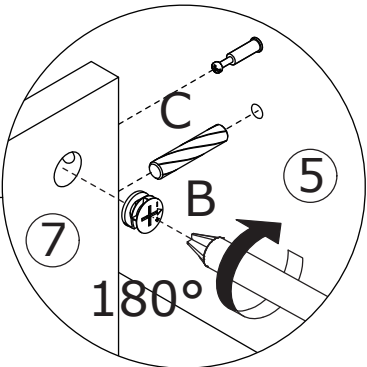
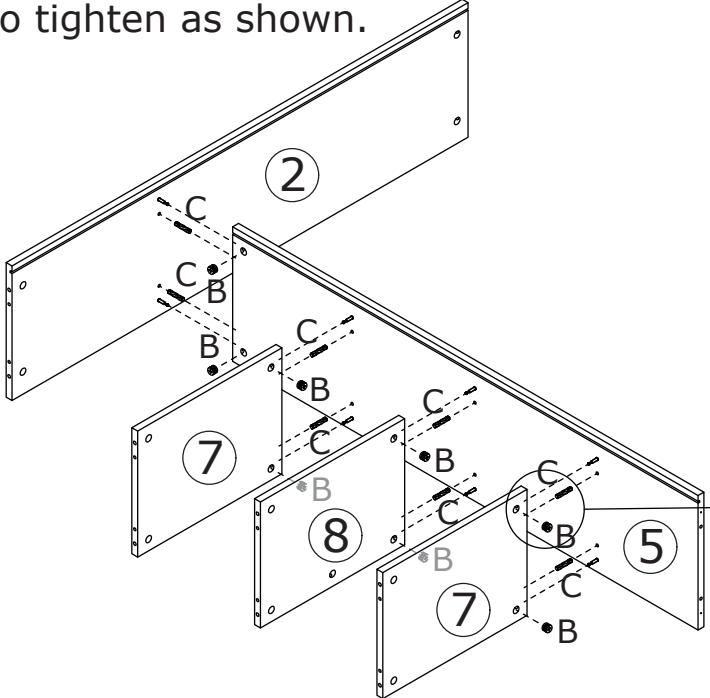
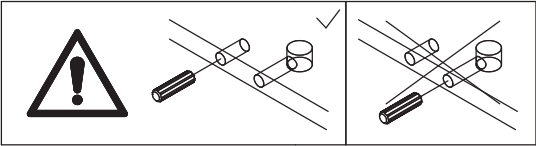
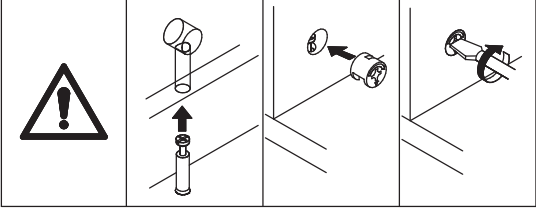
180°



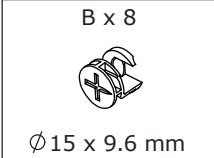
17



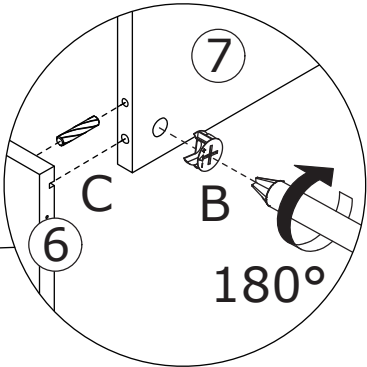
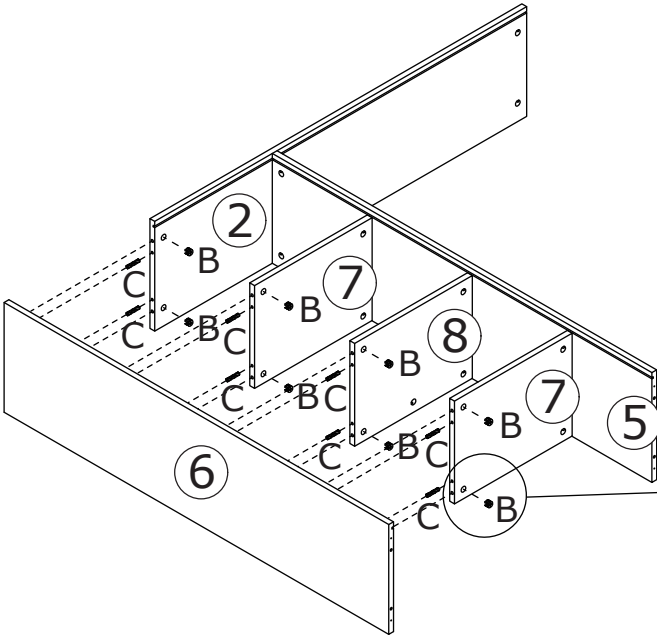
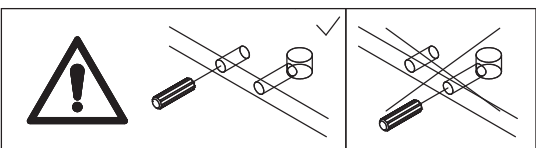
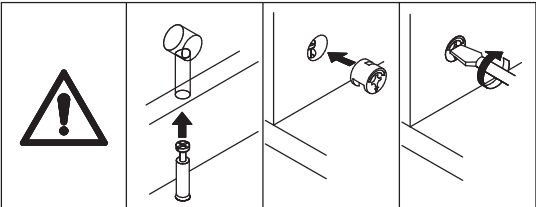
Attach plate 2, 7, 8 to plate 5 with wooden dowel(C) and turn cam locks(B) clockwise to tighten as shown.



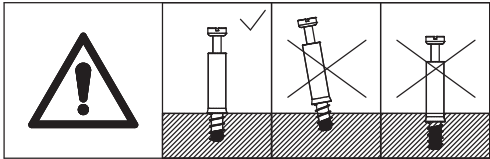
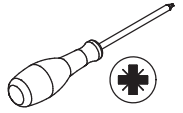
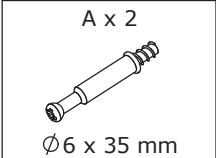
18



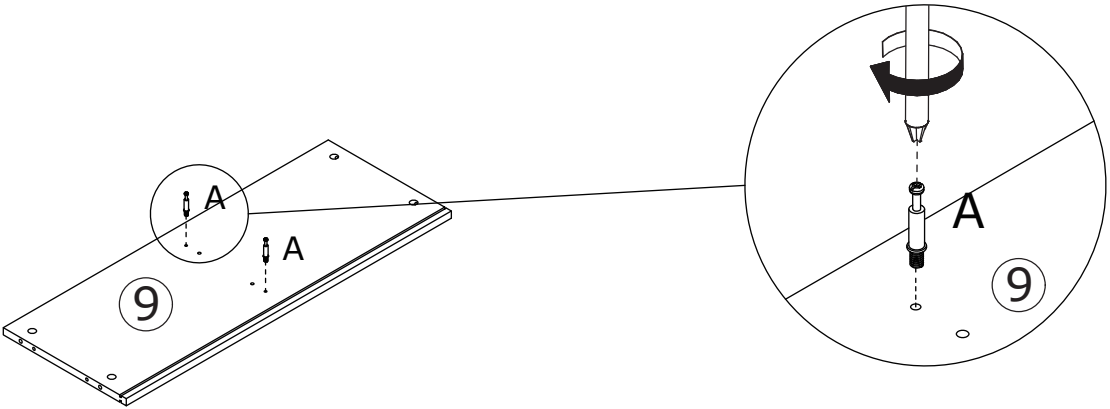
Attach plate 6 to plate 2, 7, 8 with wooden dowel(C) and turn cam locks(B) clockwise to tighten as shown.



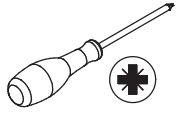
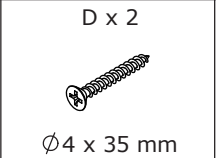
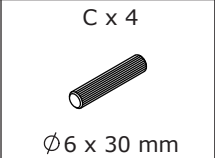
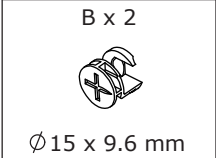
19



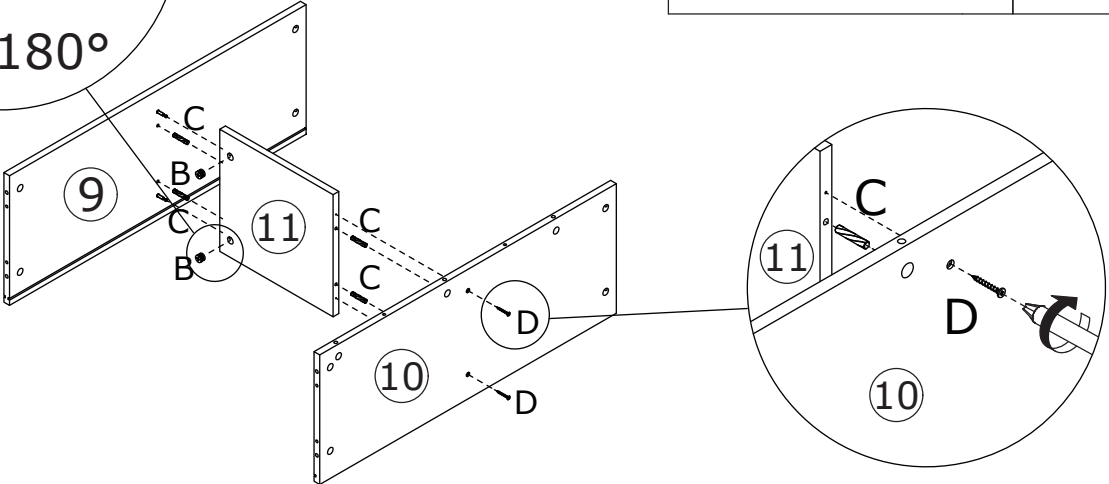
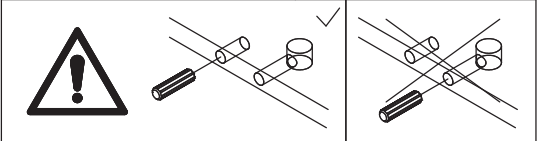
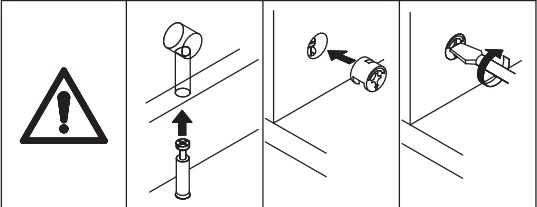
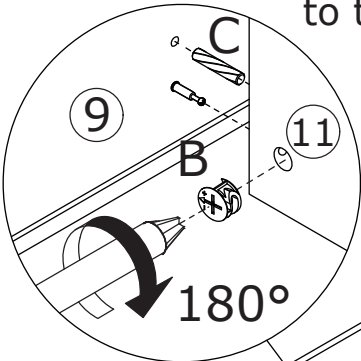
Insert quickfit screw(A) into 9 as shown.



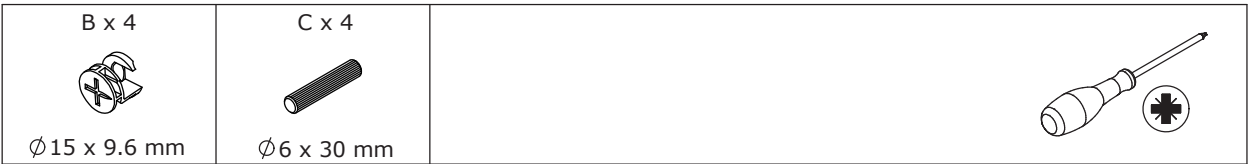
20



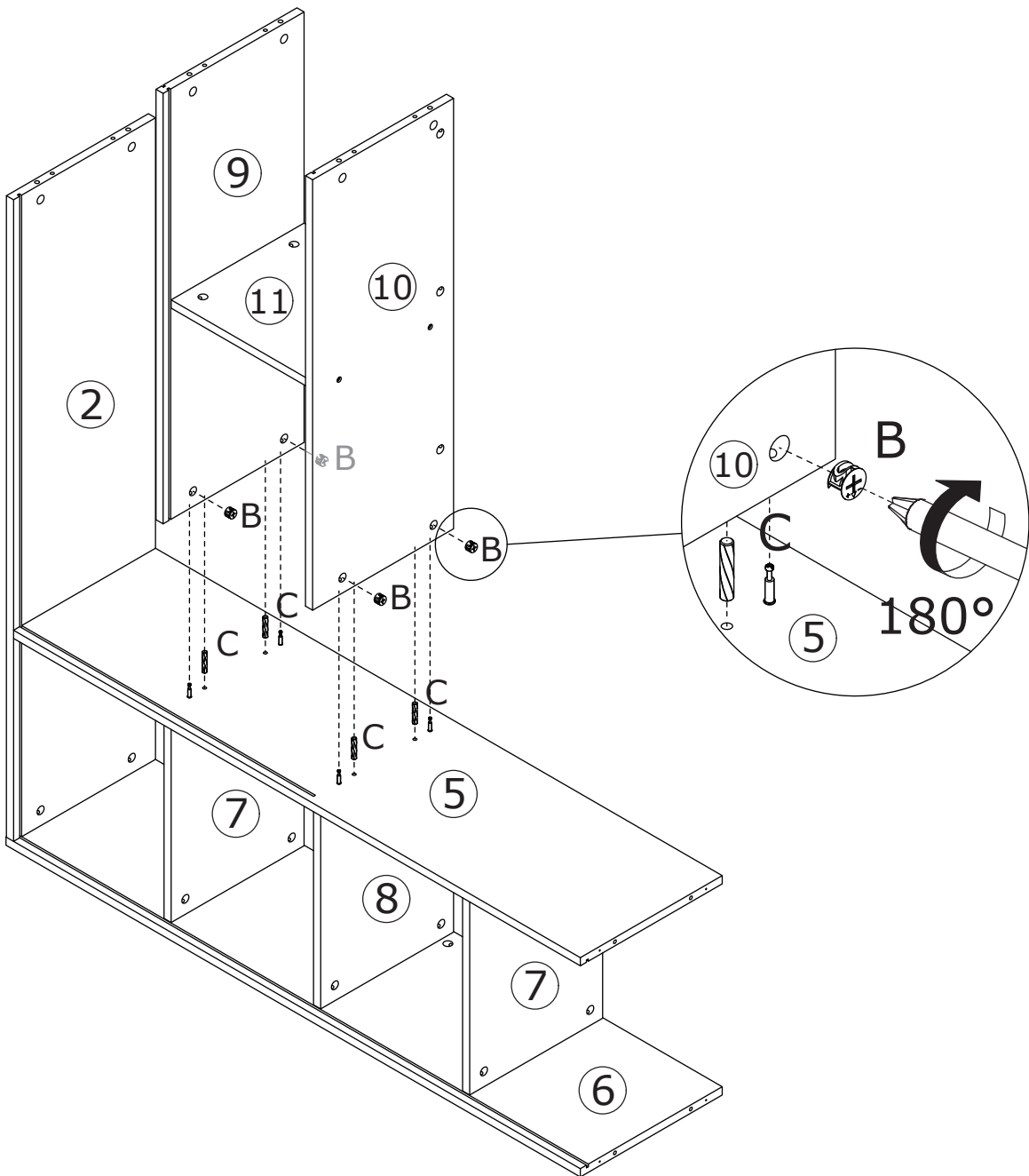
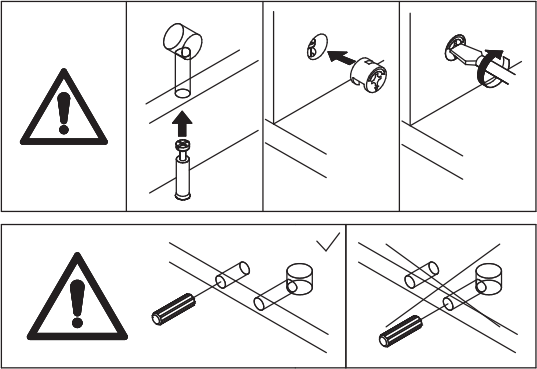
Attach plate 9 to plate 11 with wooden dowel(C) and turn cam locks(B) clockwise to tighten, connect plate 10 to plate 11 using wooden dowel(C) and fix with screw(D) as shown.



21



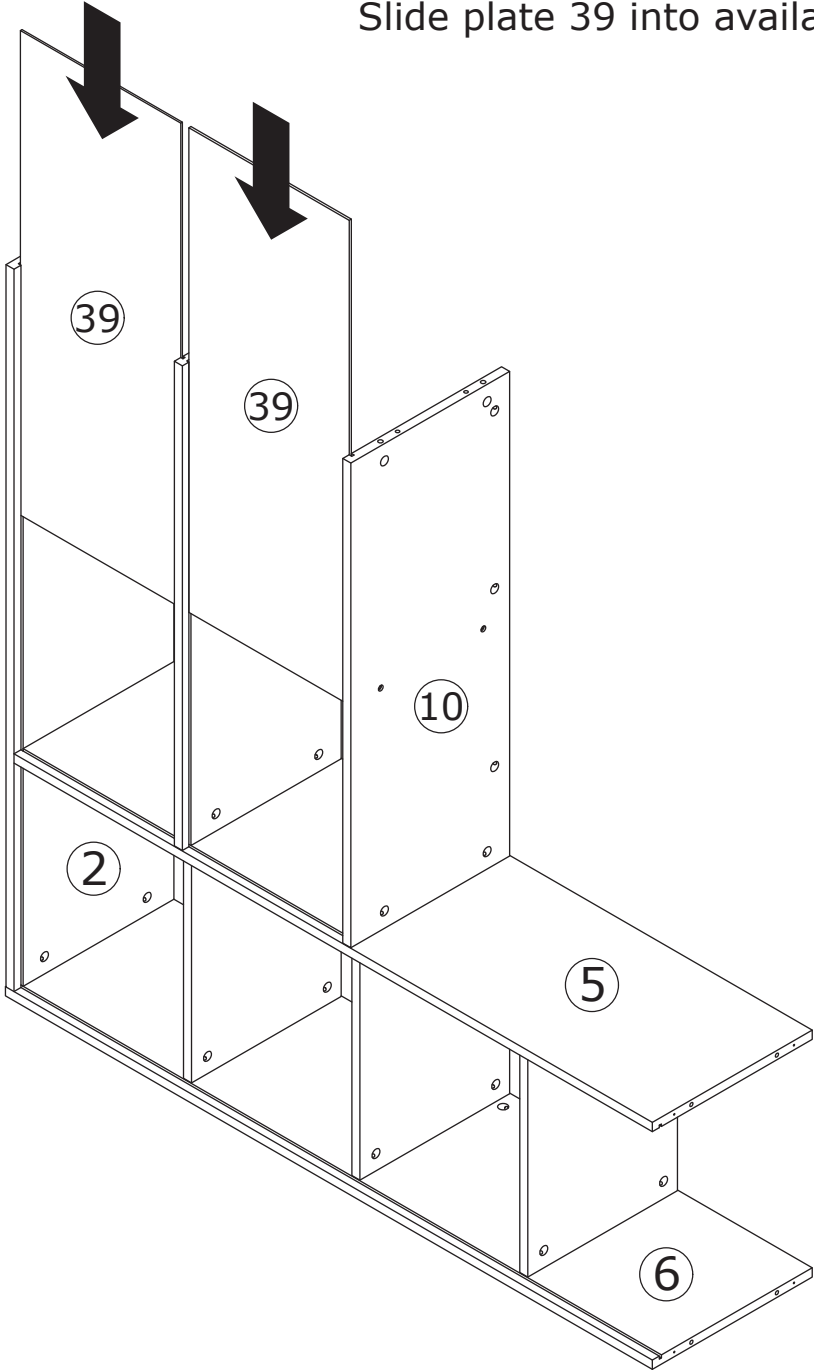
Attach plate 9, 11, 10 to plate 5 with wooden dowel(C) and turn cam locks(B) clockwise to tighten as shown.



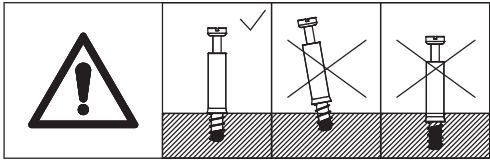
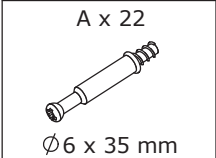
22



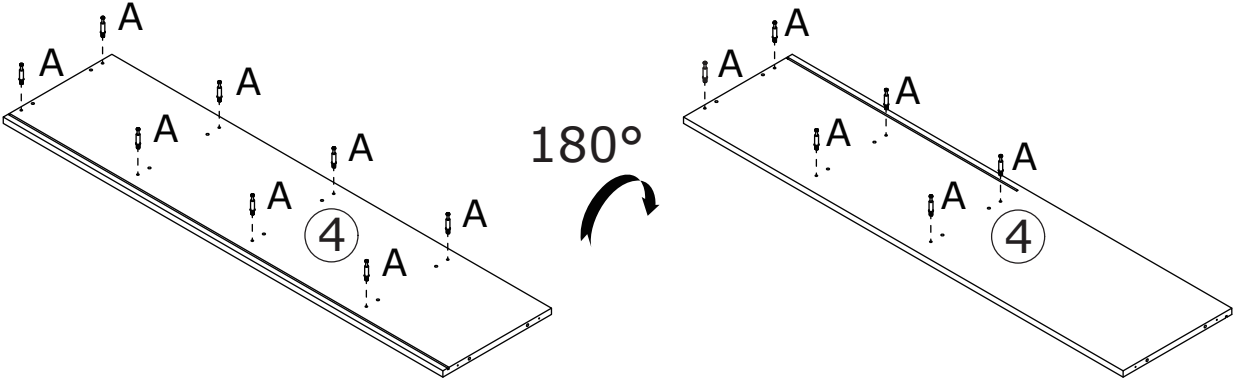
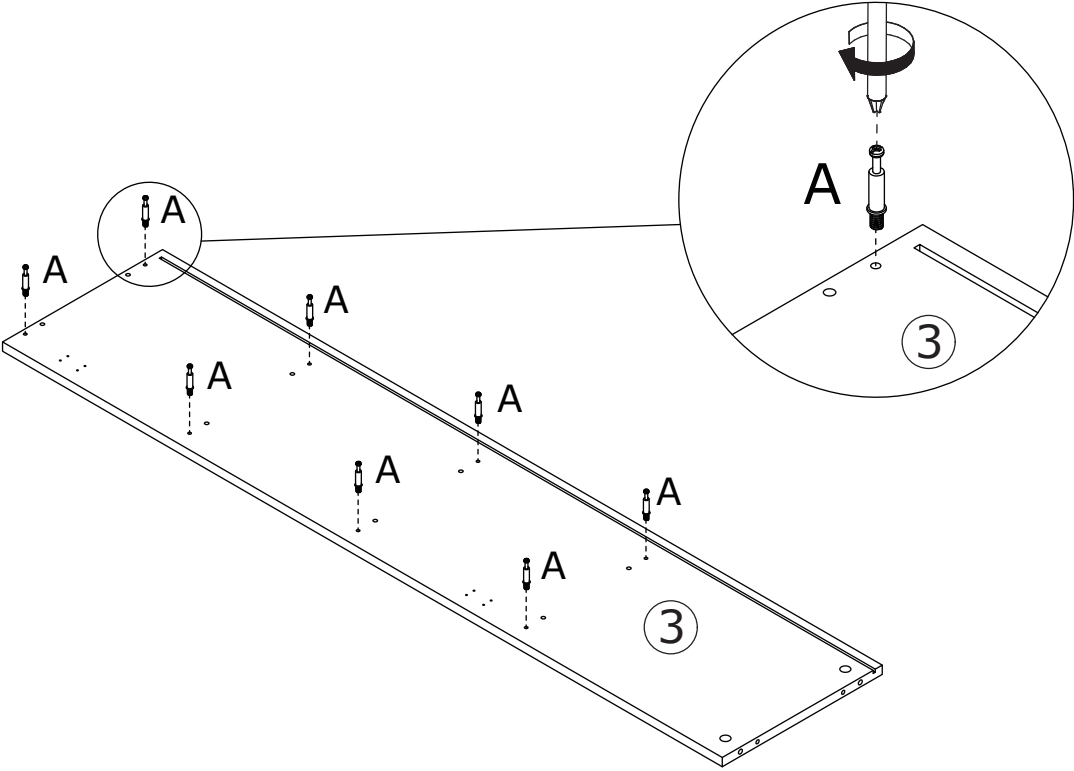
Slide plate 39 into available slots.



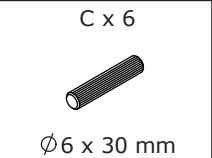
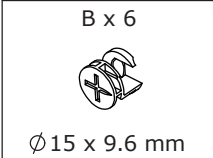
23



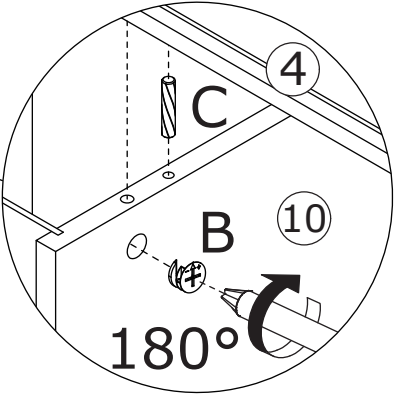
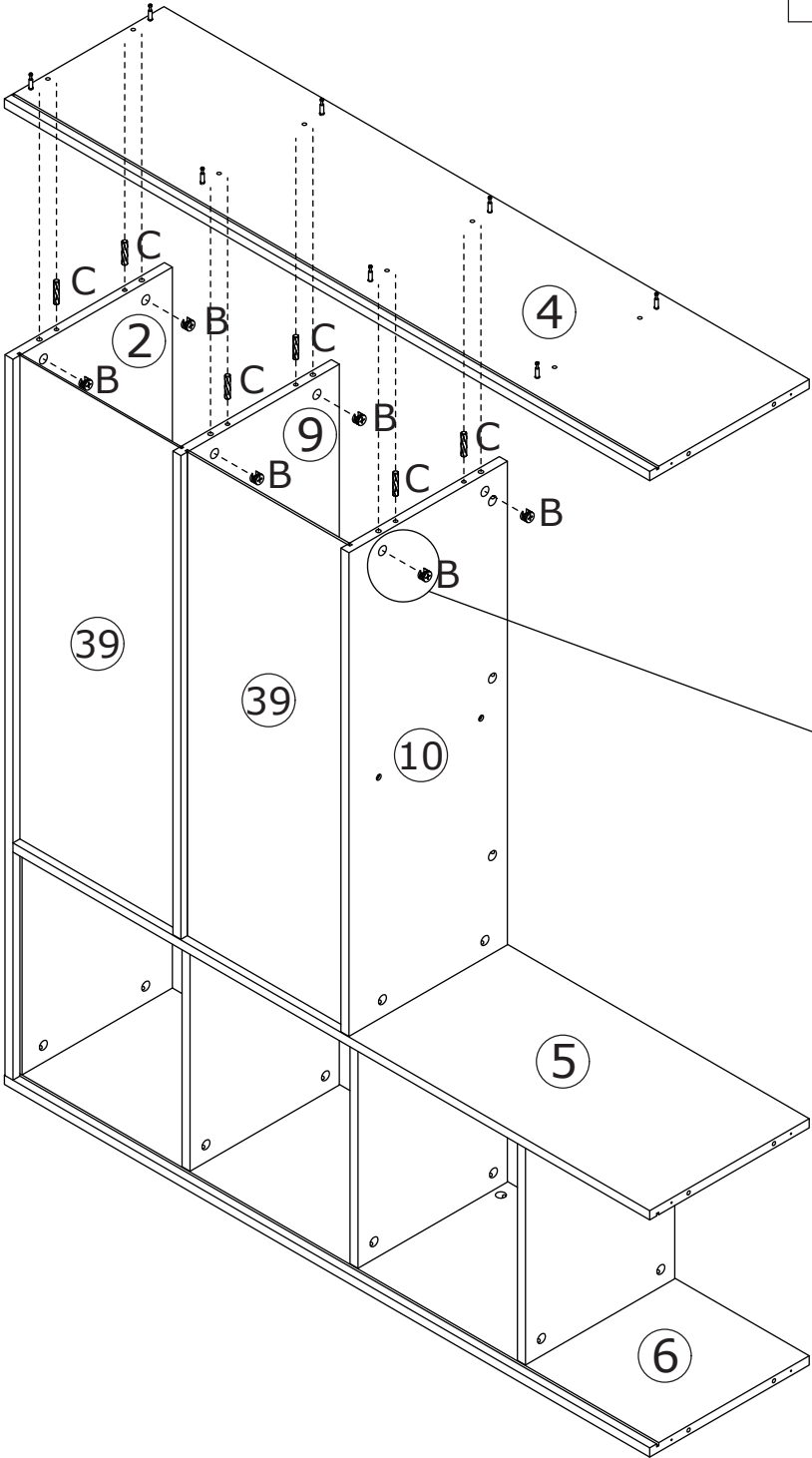
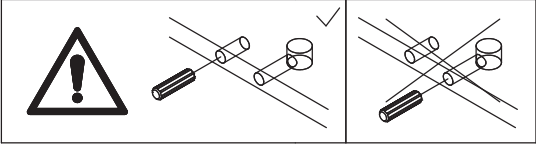
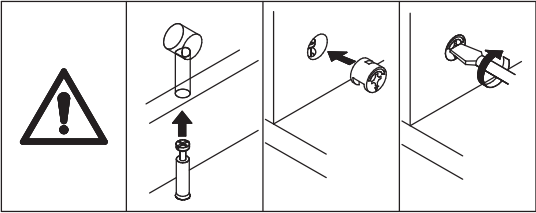
Insert quickfit screw(A) into plate 3 and 4 with a screwdriver as shown.



24



Attach plate 4 to plate 2, 9, 10 with wooden dowel(C) and turn cam locks(B) clockwise to tighten as shown.



25

B x 8

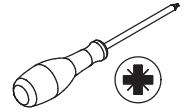


Ø15 x 9.6 mm

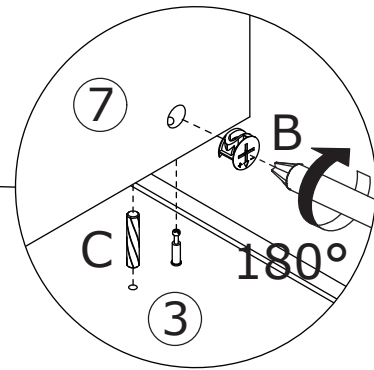
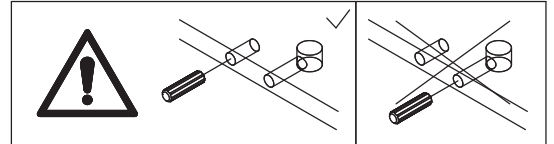
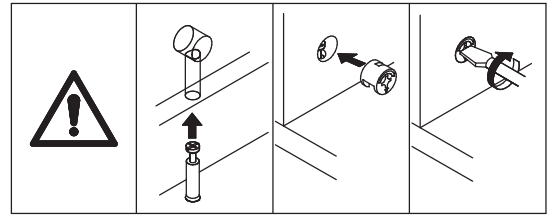
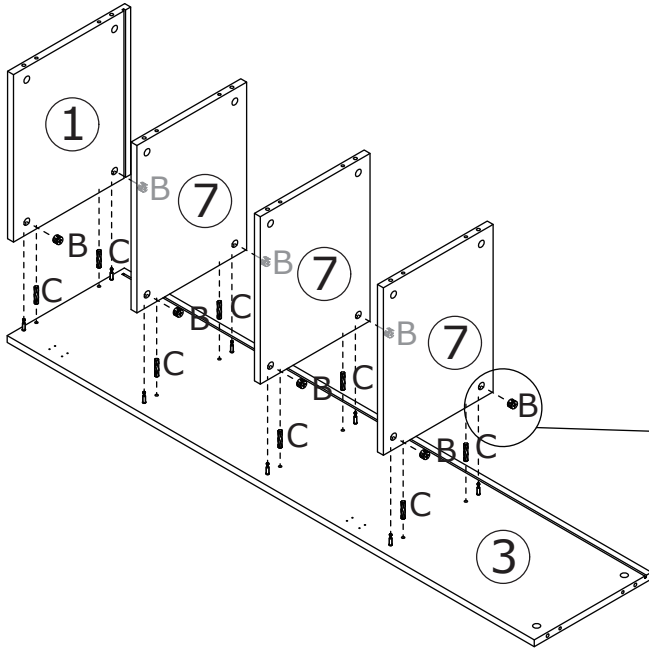
C x 8



Ø6 x 30 mm



Attach plate 1, 7 to plate 3 with wooden dowel(C) and turn cam locks(B) clockwise to tighten as shown.



26

B x 8

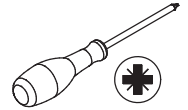


Ø15 x 9.6 mm

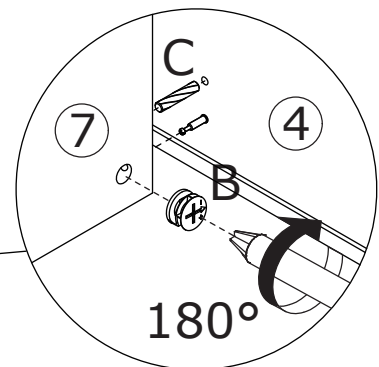
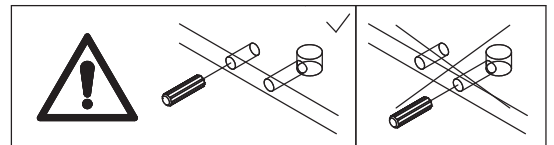
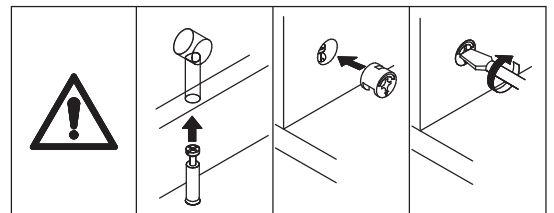
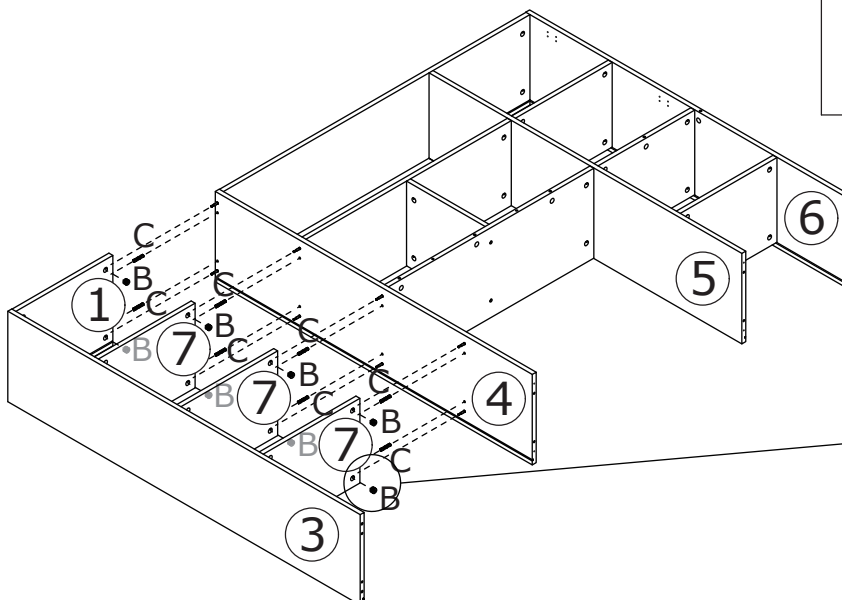
C x 8



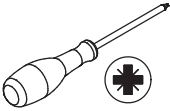
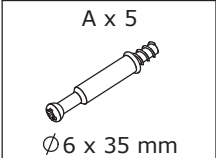
Ø6 x 30 mm



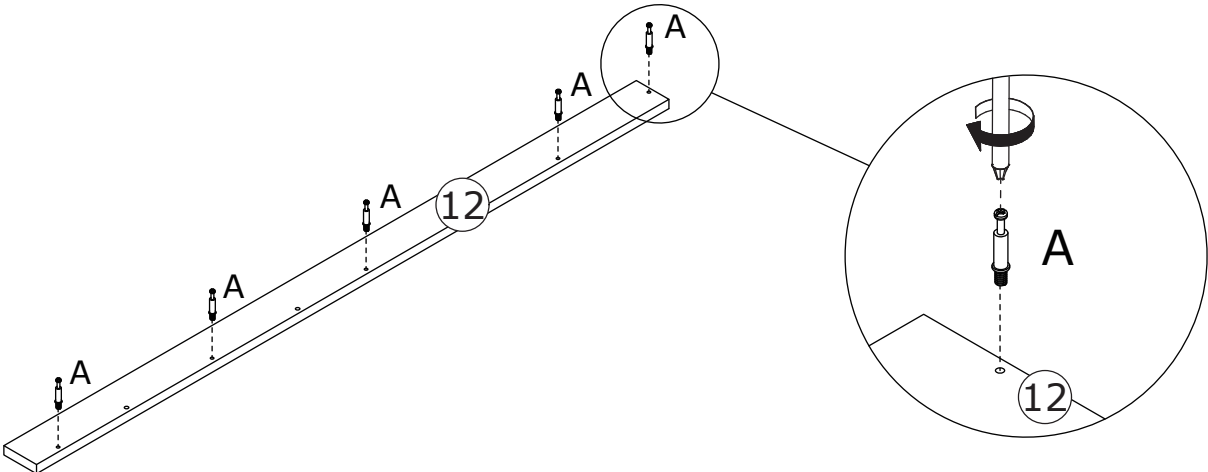
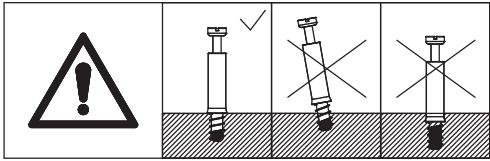
Attach plate 1, 7 to plate 4 with wooden dowel(C) and turn cam locks(B) clockwise to tighten as shown.



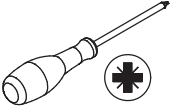
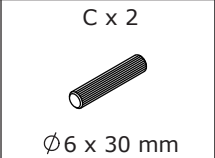
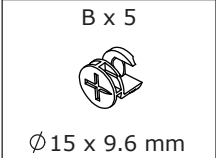
27



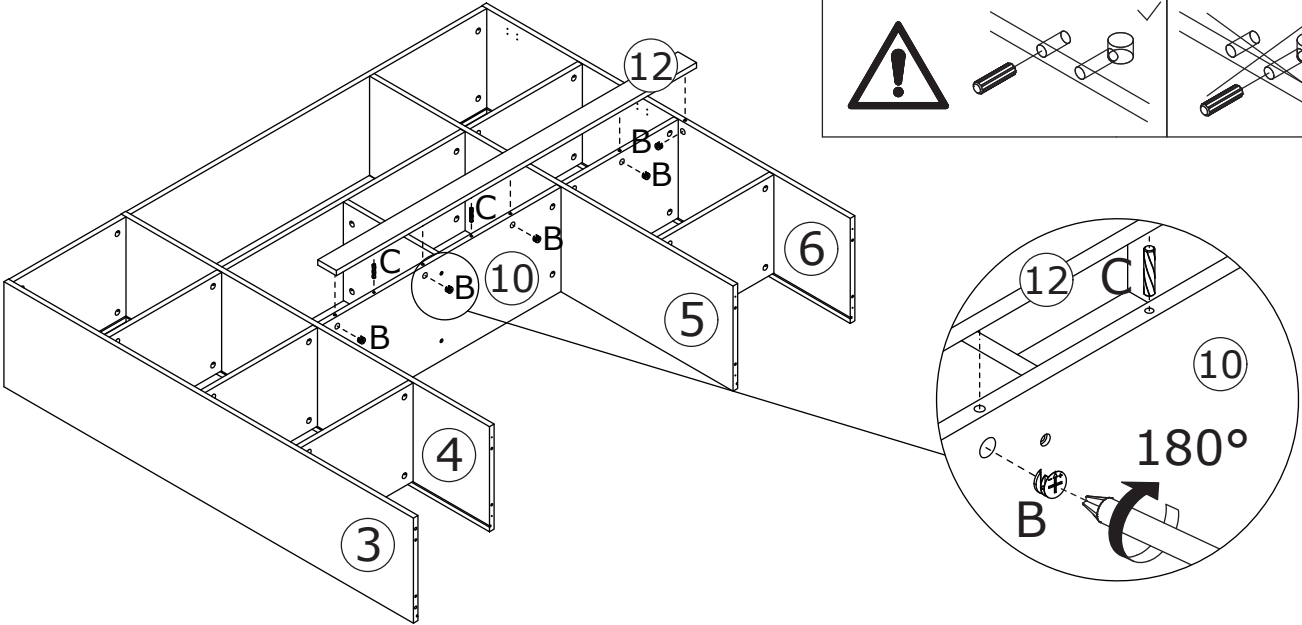
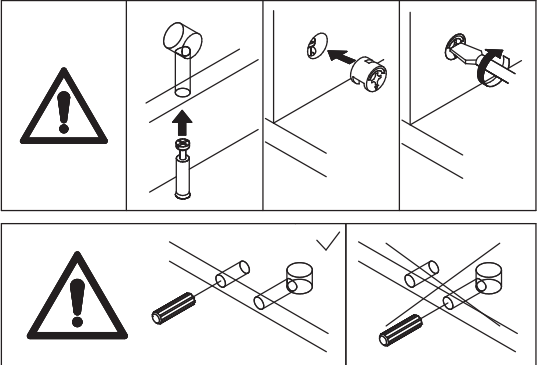
Insert quickfit screw(A) into plate 12 as shown.



28



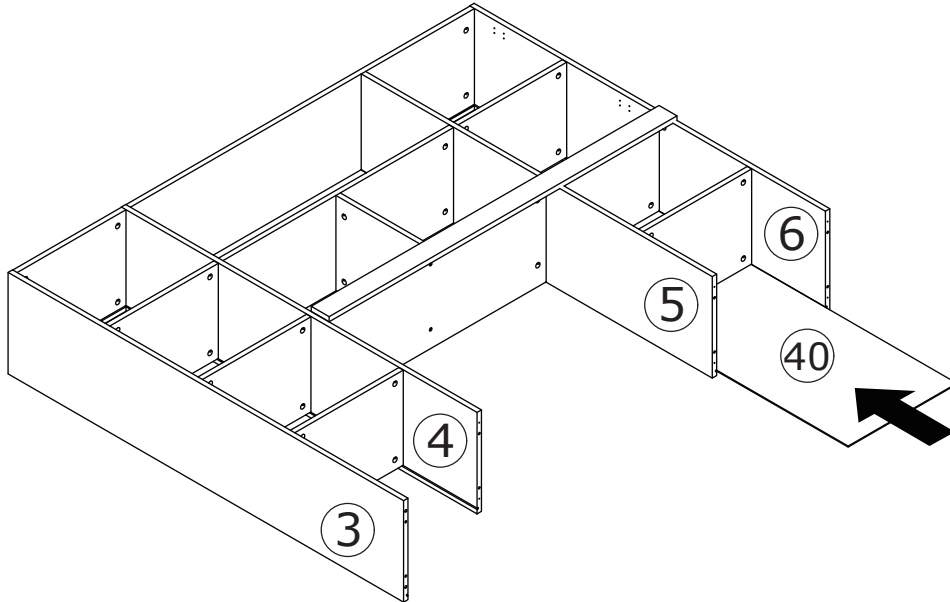
Attach plate 12 to plate 10, 6 with wooden dowel(C) and turn cam locks(B) clockwise to tighten as shown.



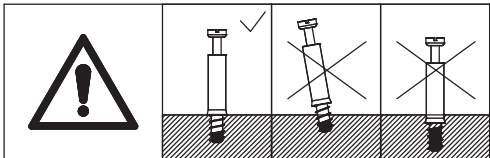
29



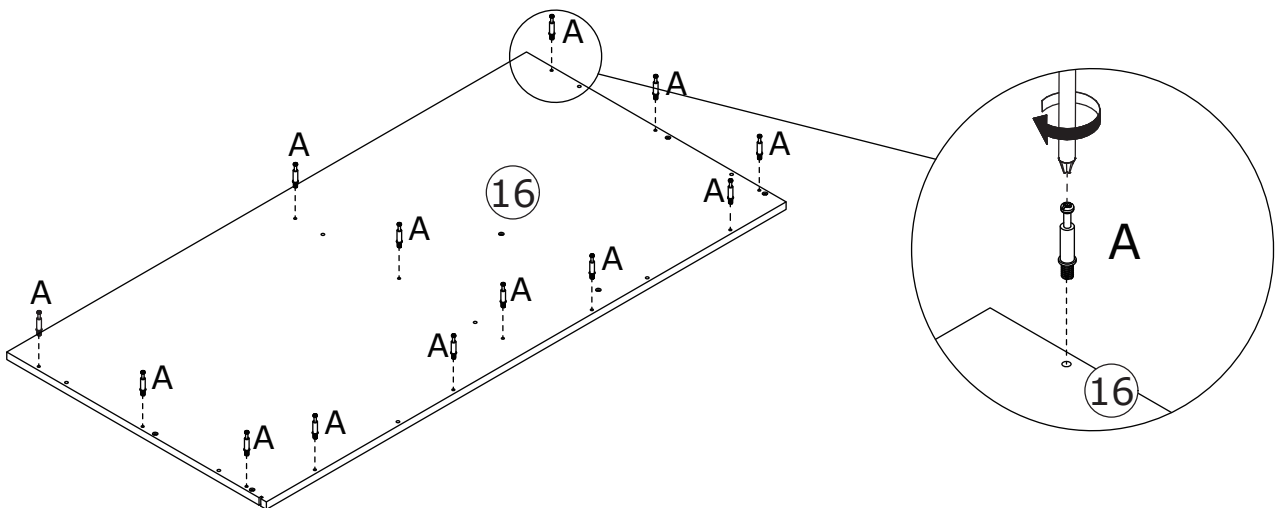
Slide plate 40 into available slots.



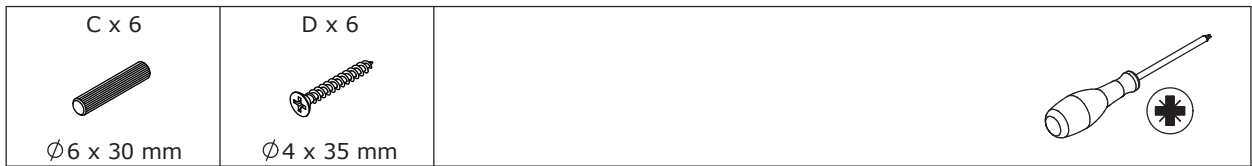
30



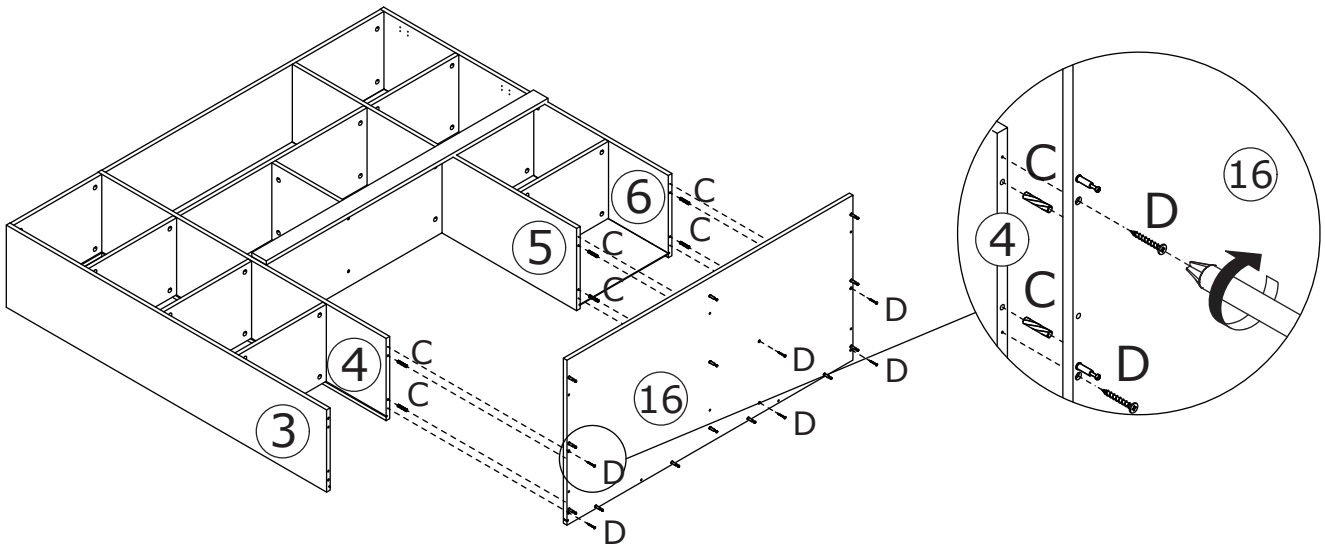
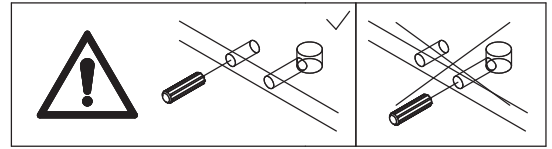
Insert quickfit screw(A) into plate 16 as shown.



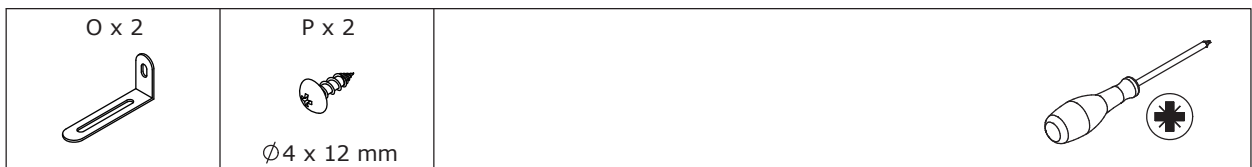
31



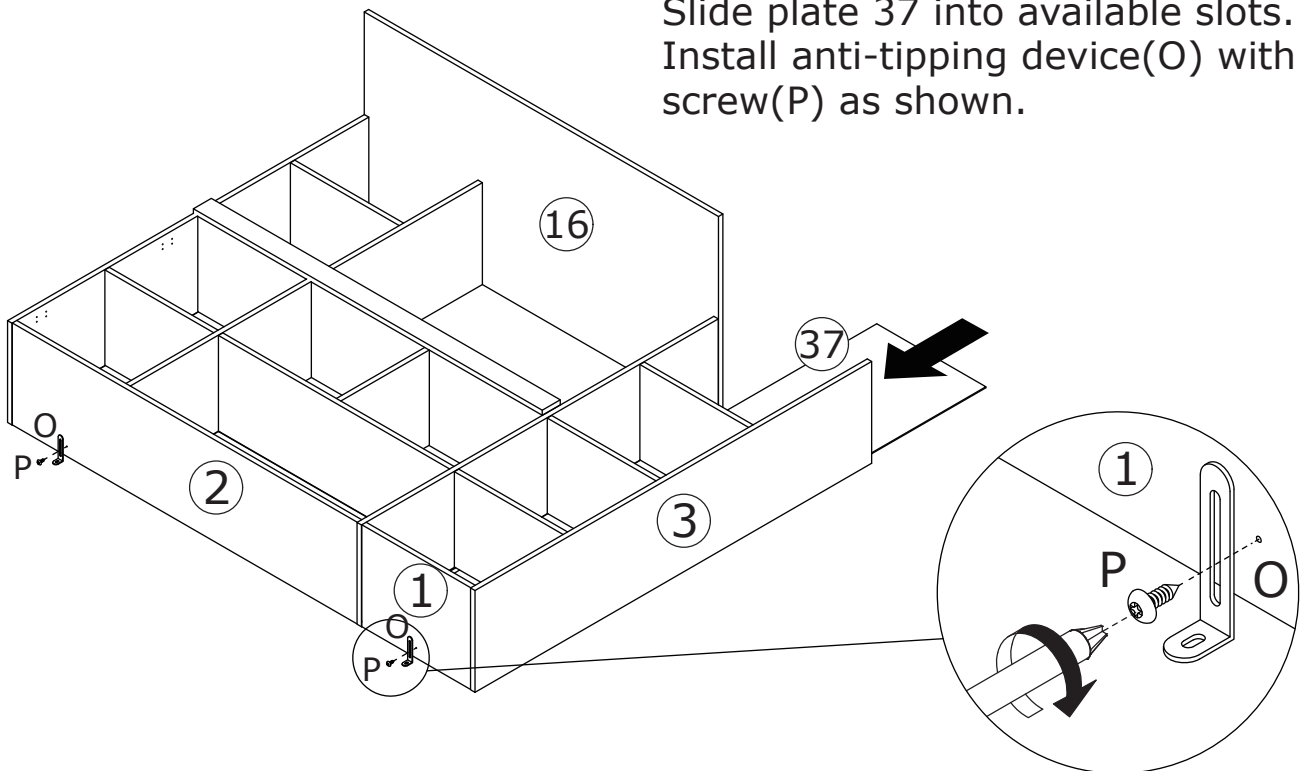
Attach plate 16 to plate 3, 4, 5, 6 with wooden dowel(C) and turn cam locks(B) clockwise to tighten as shown.



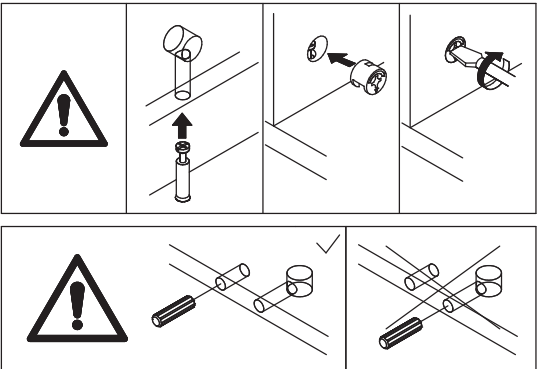
32



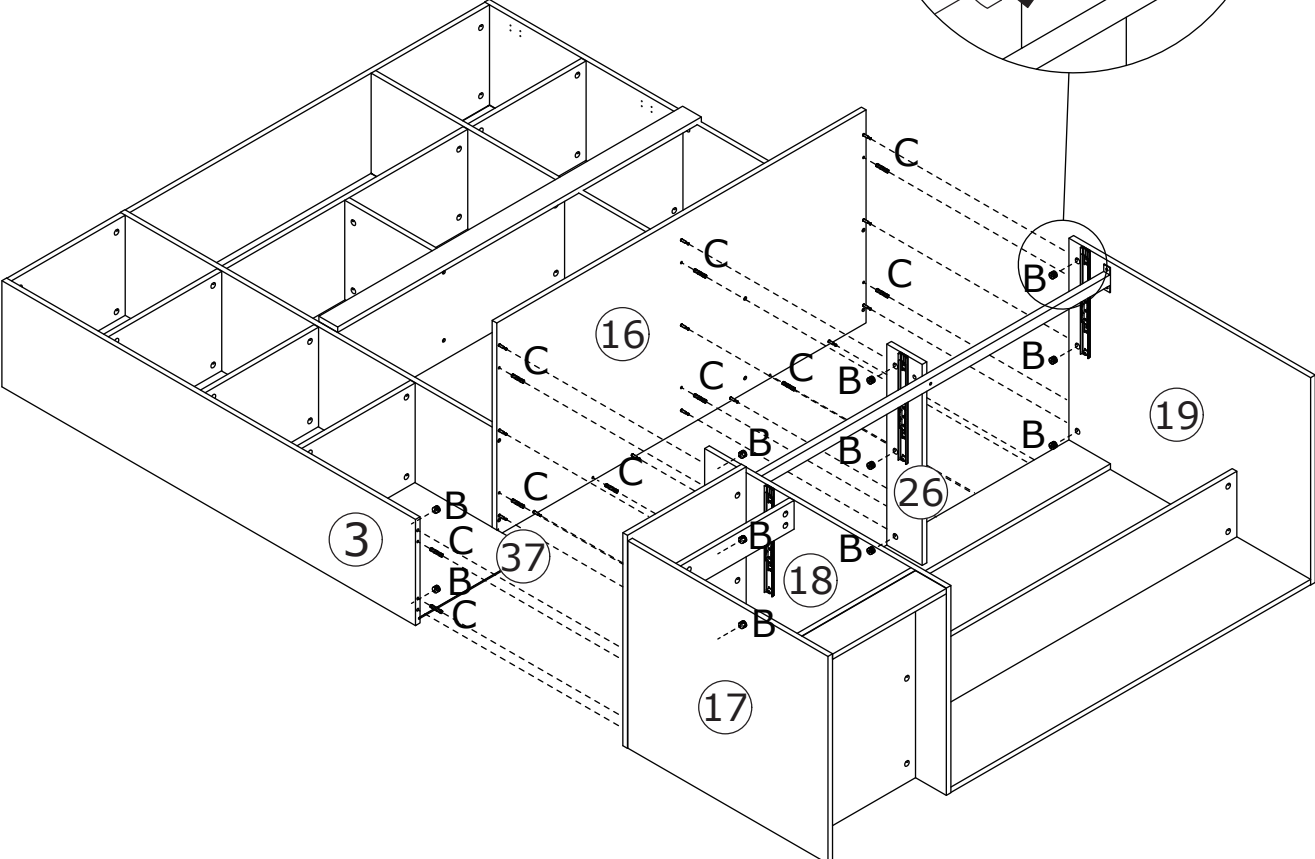
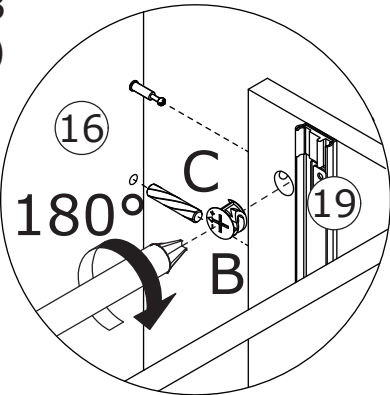
Slide plate 37 into available slots. Install anti-tipping device(O) with screw(P) as shown.






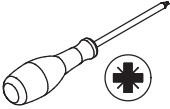
33

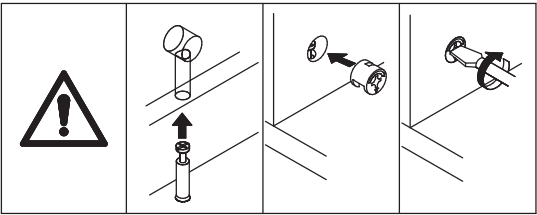


Attach plate 3, 16 to plate 17, 18, 26, 19, 23 with wooden dowel(C) and turn cam locks(B) clockwise to tighten as shown.

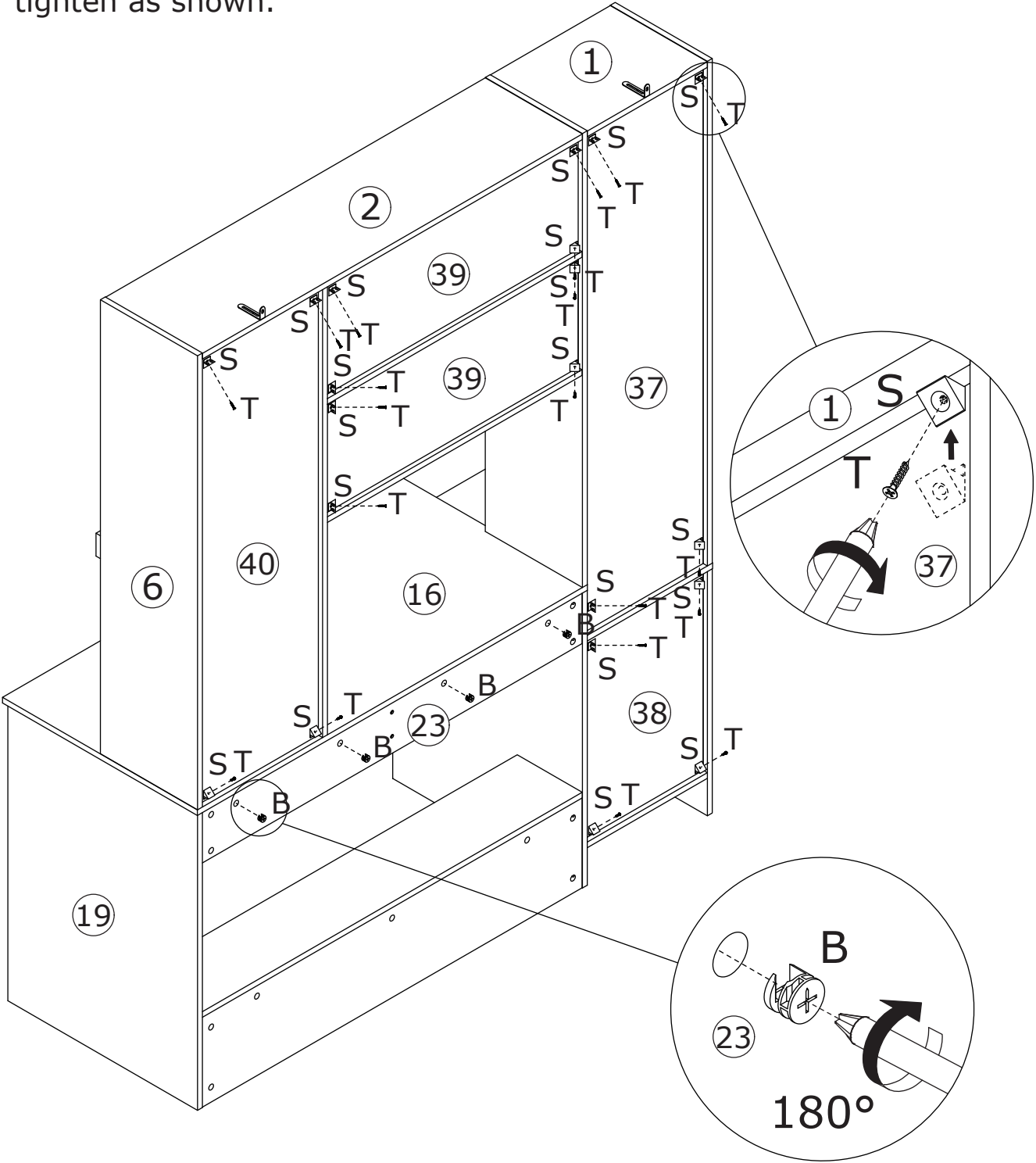


34

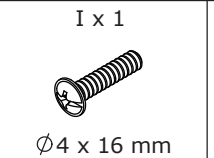
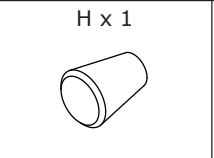
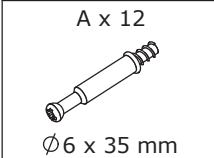
B x 4  Ø15 x 9.6 mm	S x 20  Ø3 x 14 mm	T x 20  Ø3 x 14 mm	
---	--	--	---



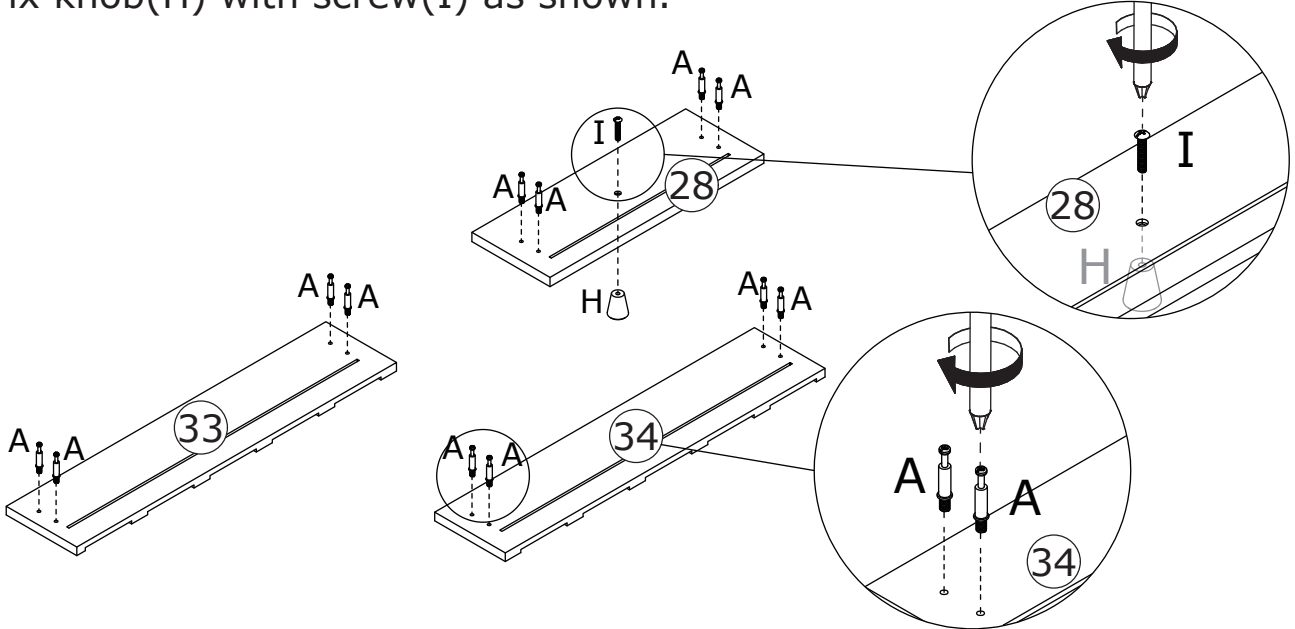
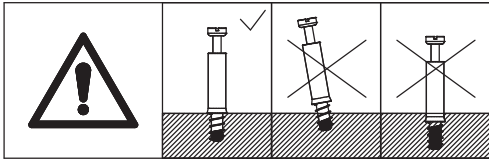
Reinforce back plates using part(S) with screw(T) and then turn cam locks(B) in plate 23 clockwise to tighten as shown.



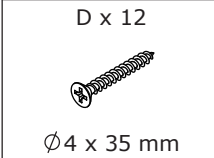
35



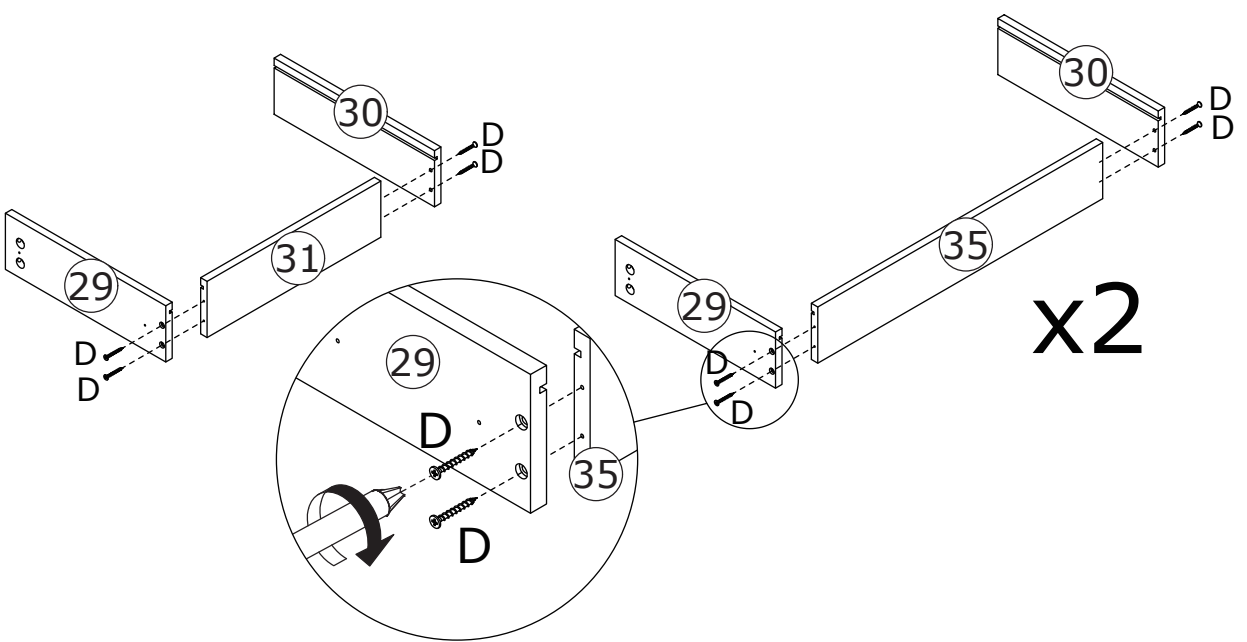
Insert quickfit screw(A) into corresponding holes in plate 28, 33, 34 with a screwdriver as shown. Fix knob(H) with screw(I) as shown.



36

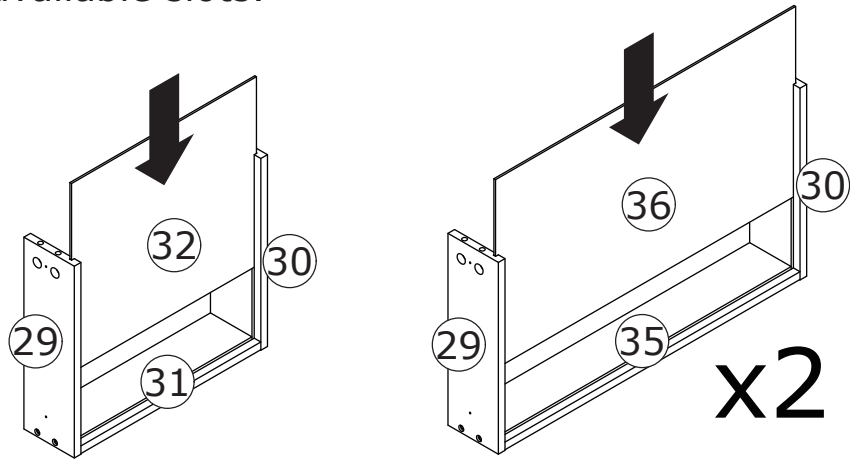


Connect plate 29, 30, 31, 35 with screw(D) as shown.



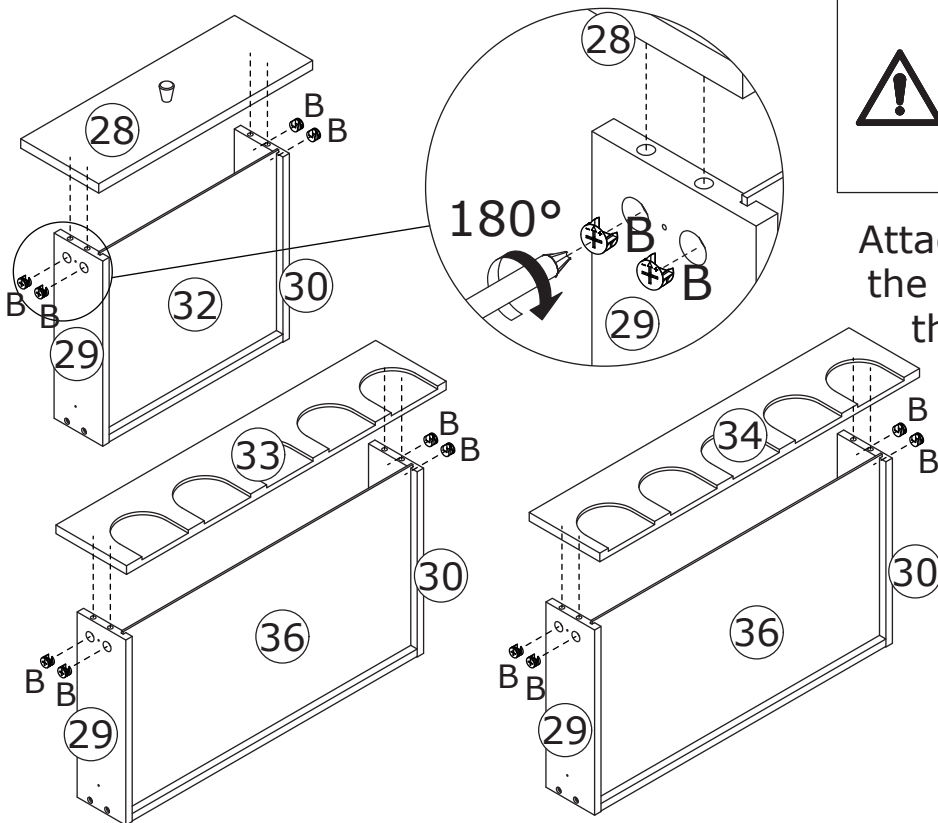
37

Slide plate 32, 36 into available slots.



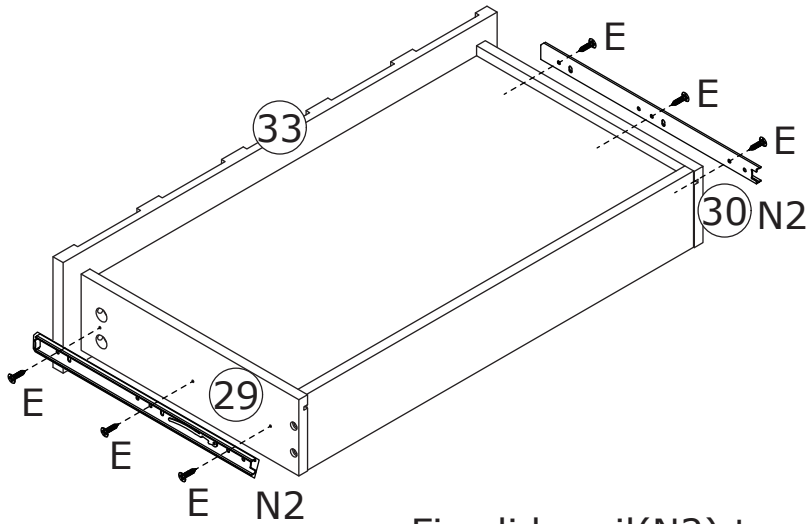
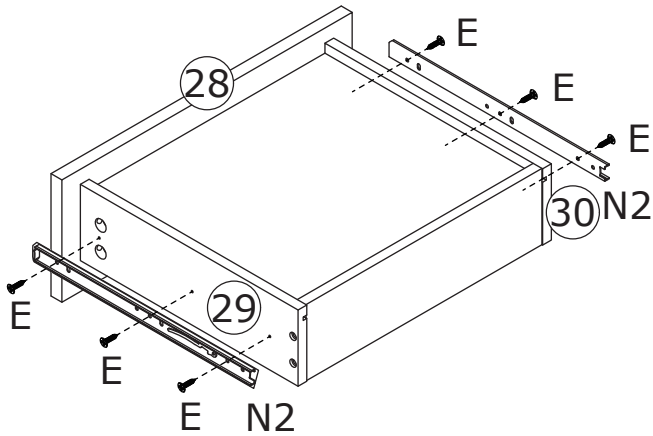
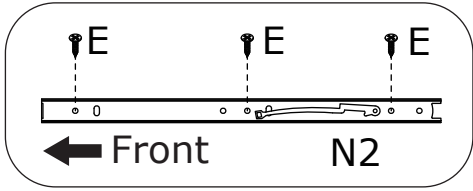
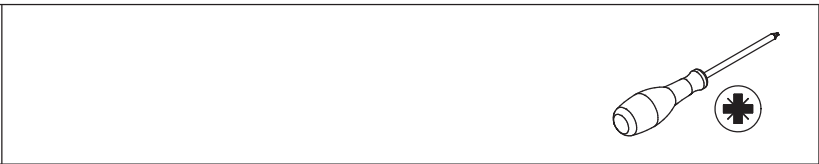
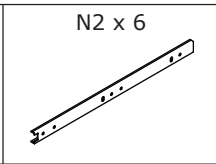
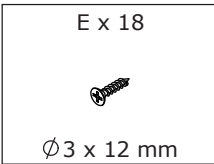
38

<p>B x 12</p> <p>Ø 15 x 9.6 mm</p>	
------------------------------------	--

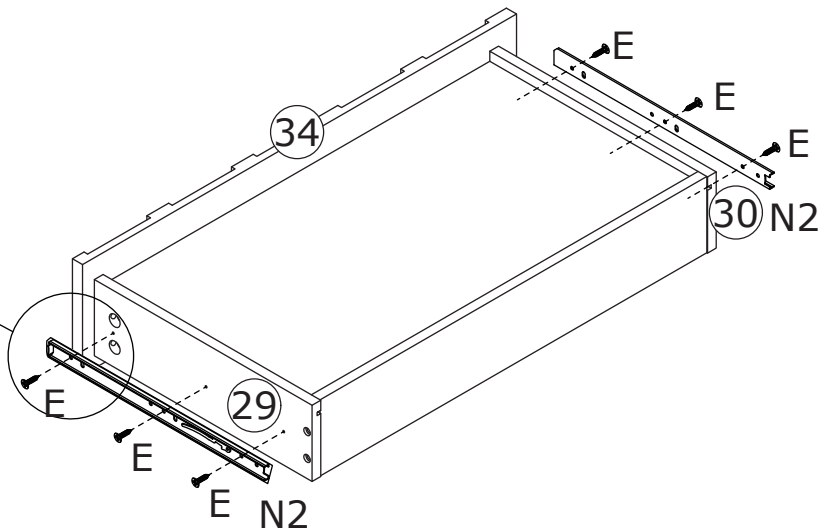
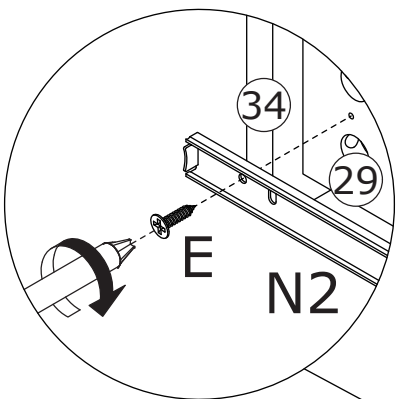


Attach plate 28, 33, 34 to the corresponding drawer, then turn cam locks(B) clockwise to tighten as shown.

39

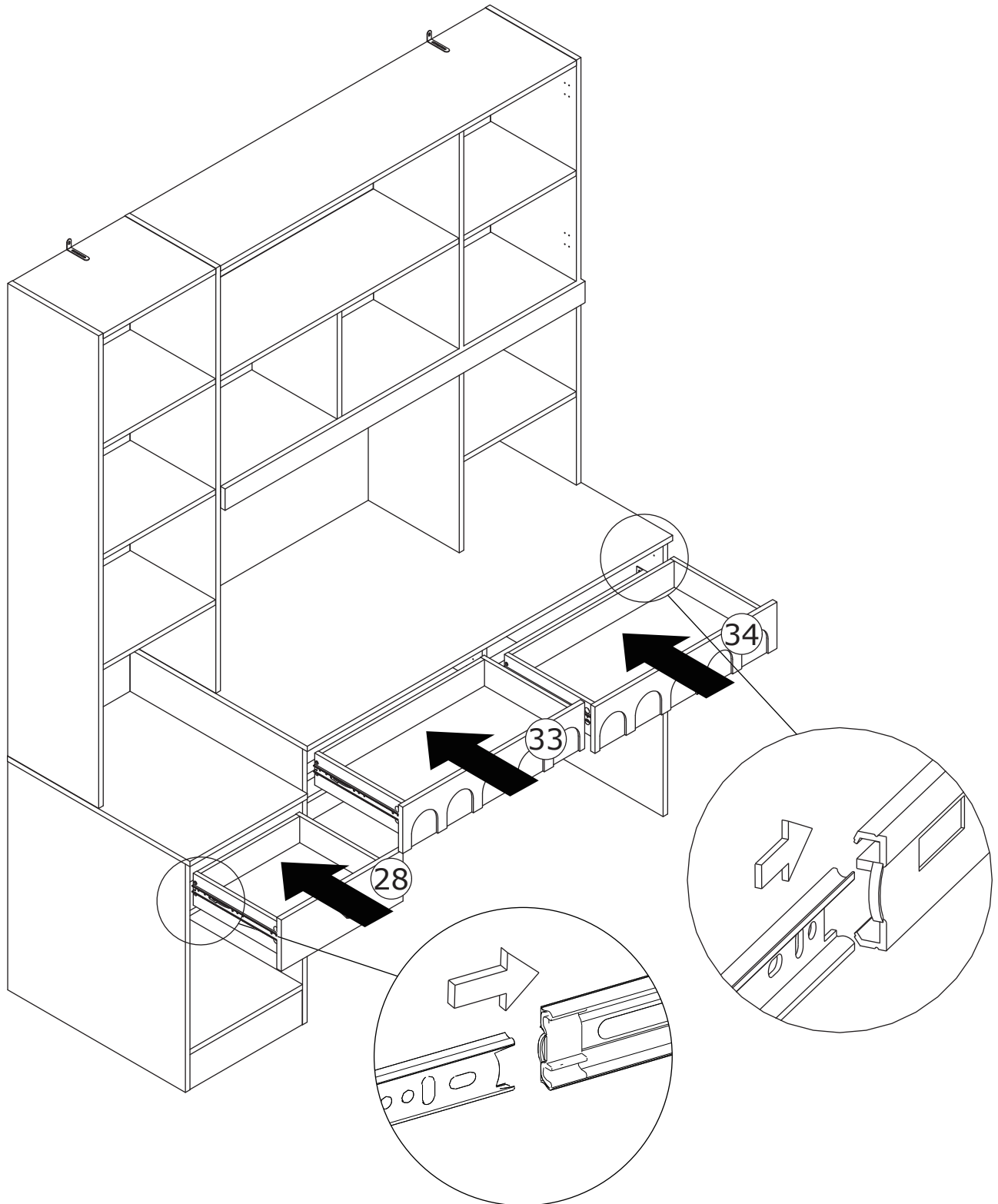


Fix slide rail(N2) to plate 29, 30 with screw(E) as shown.

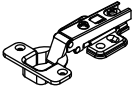

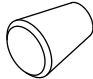

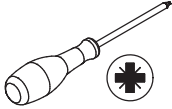


40

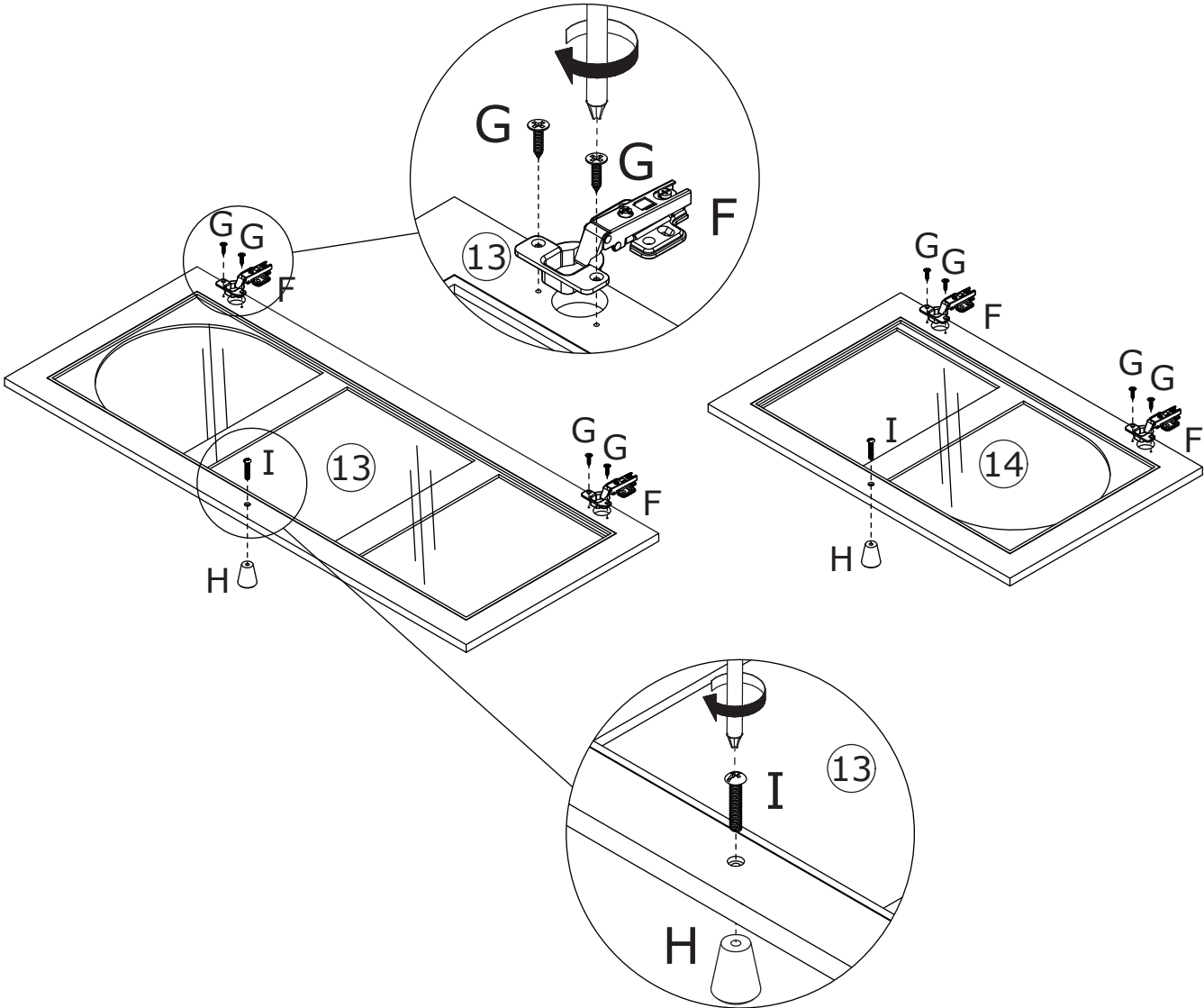
Slide drawers into corresponding positions.



41

<p>F x 4</p> 	<p>G x 8</p>  <p>Ø4 x 14 mm</p>	<p>H x 2</p> 	<p>I x 2</p>  <p>Ø4 x 16 mm</p>	
--	--	--	---	---

Fix hinge(F) to plate 13, 14 with screw(G) as shown.
Fix knob(H) with screw(I) as shown.

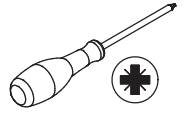


42

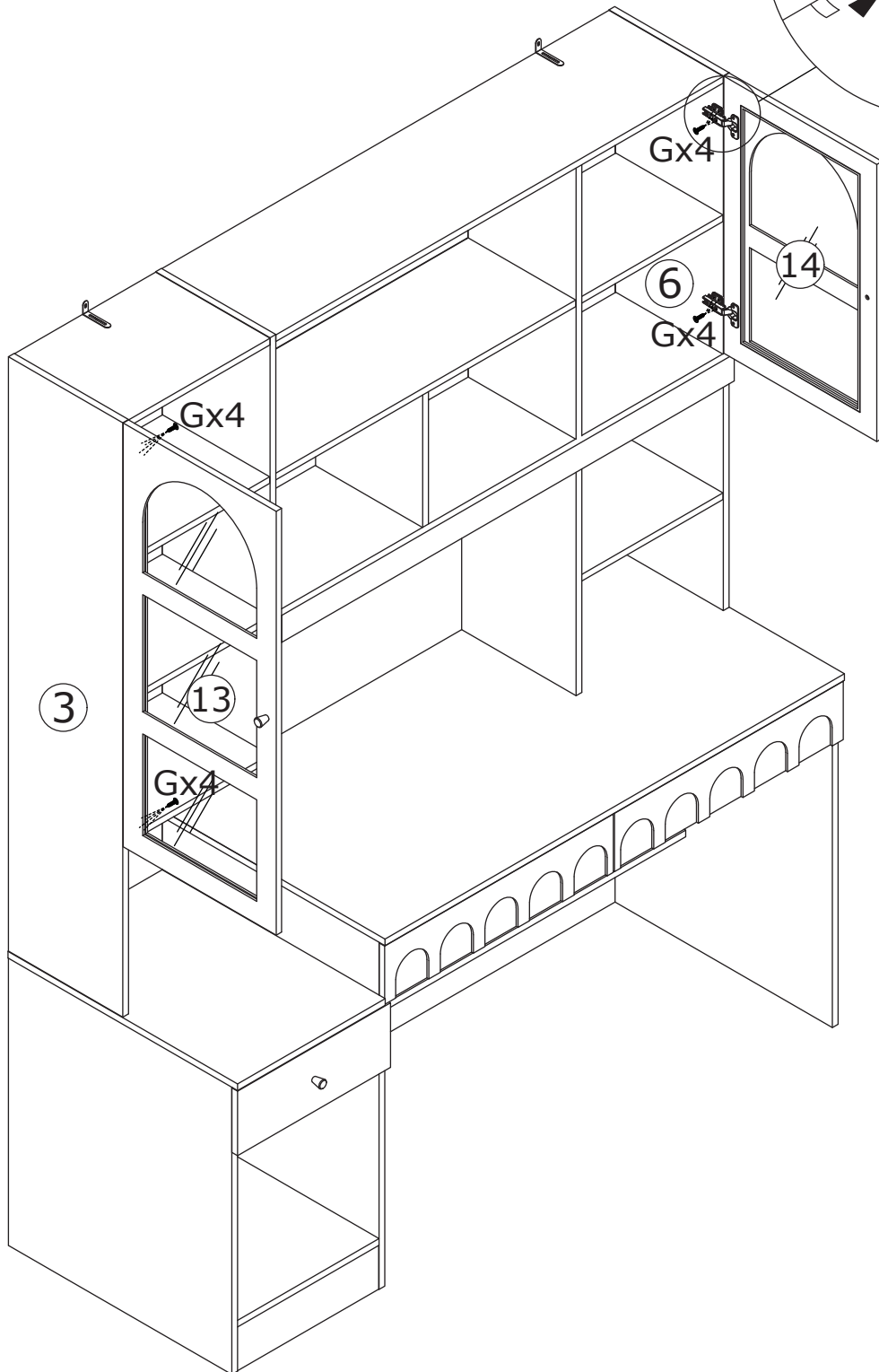
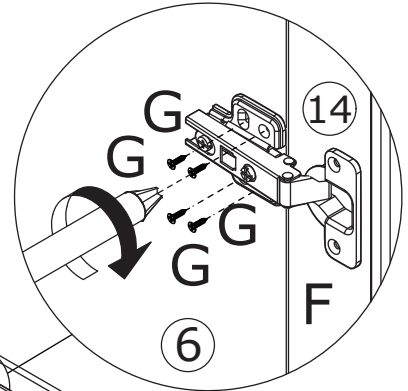
G x 16



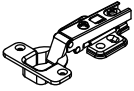

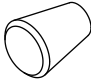

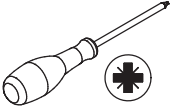
Ø4 x 14 mm



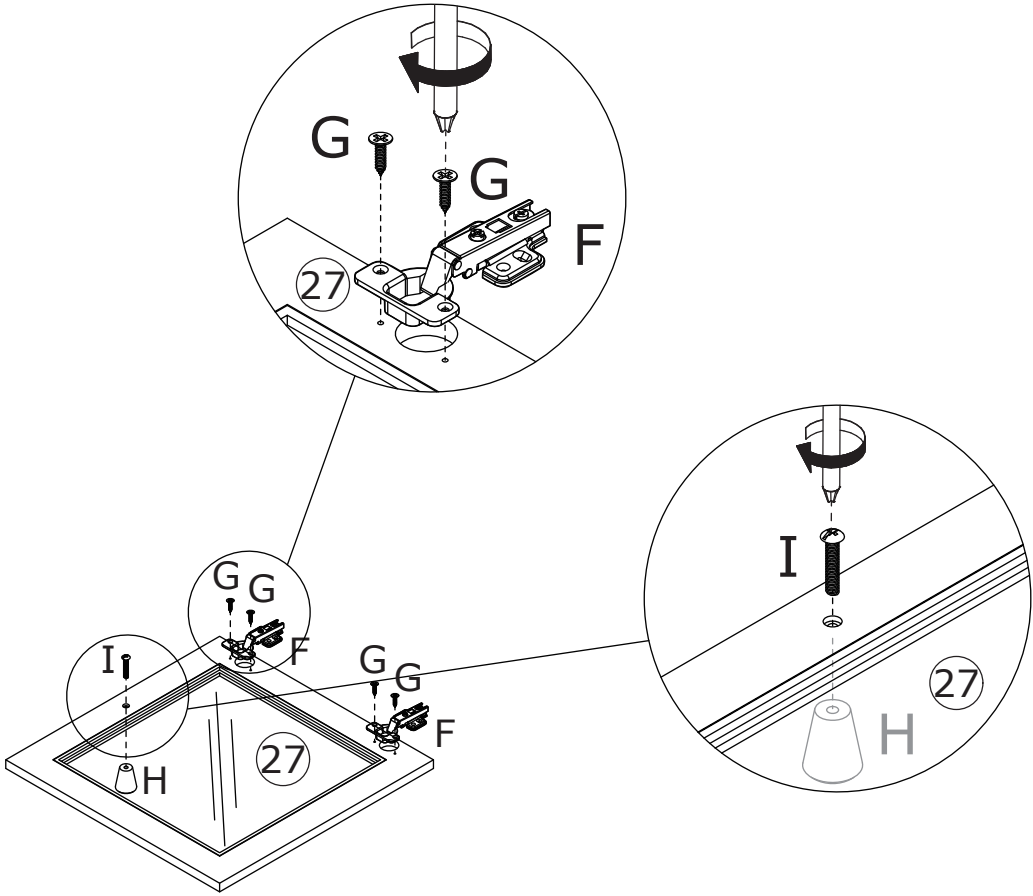
Attach plate 13 to plate 3; plate 14 to plate 6 by fixing hinge with screw(G) as shown.



43

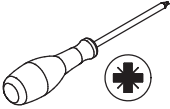
F x 2 	G x 4  Ø4 x 14 mm	H x 1 	I x 1  Ø4 x 16 mm	
--	--	--	---	---

Fix hinge(F) to plate 27 with screw(G) as shown.
Fix knob(H) with screw(I) as shown.

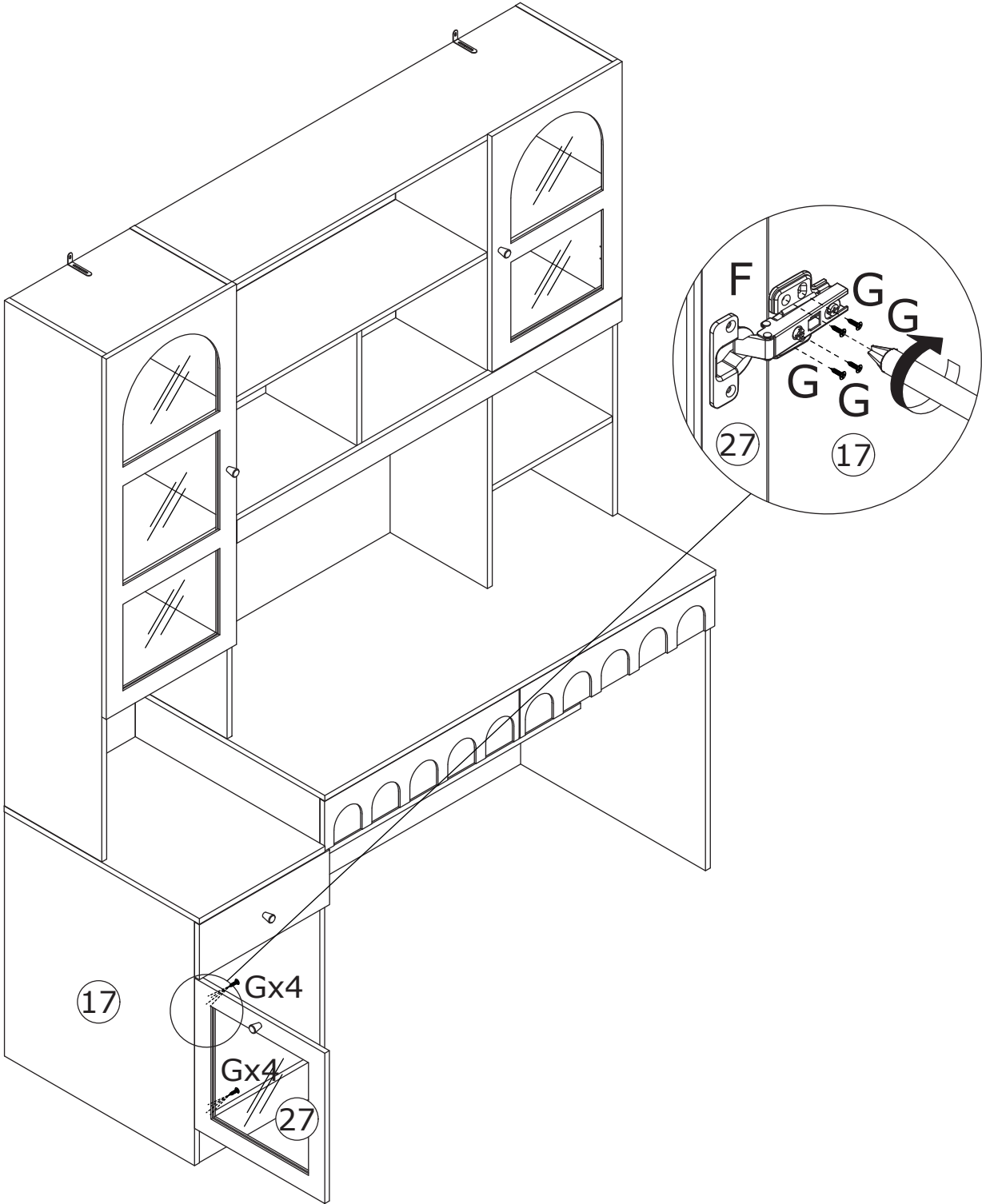


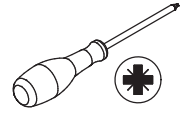
44

G x 8
Ø4 x 14 mm



Attach plate 27 to plate 17 by fixing hinge with screw(G) as shown.

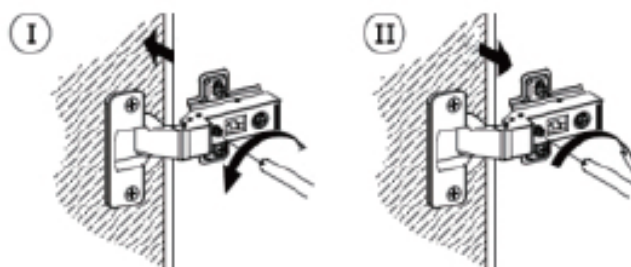
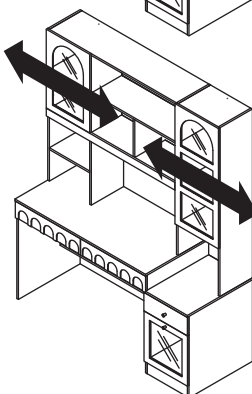
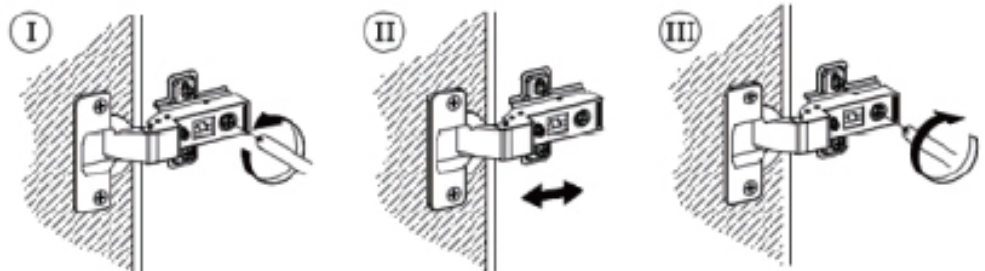
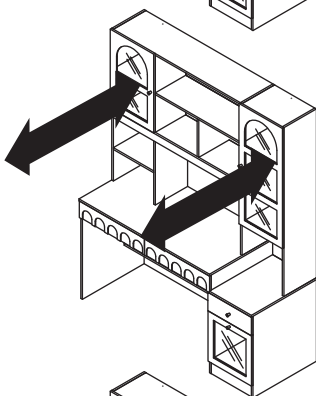
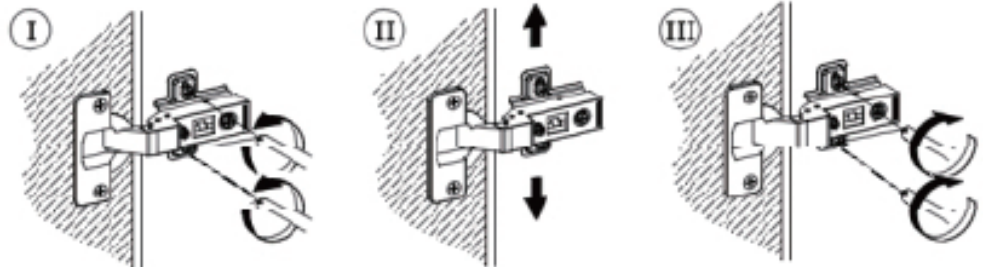
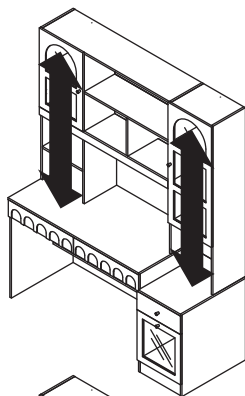
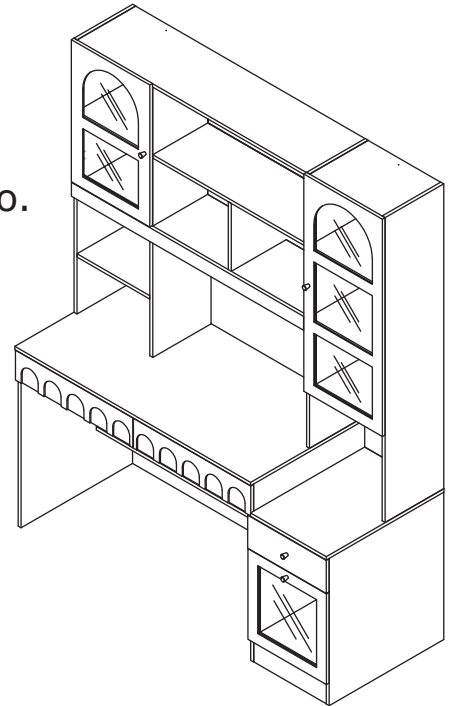




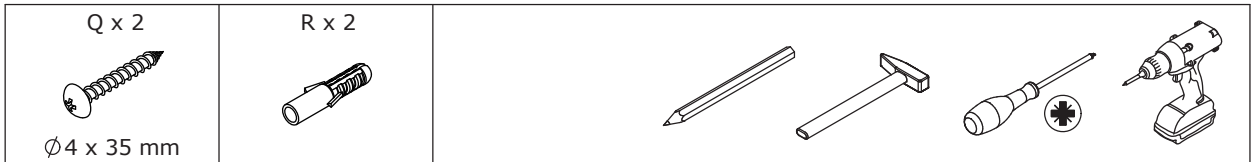
If there is misalignment after you install, adjust the screw to the best condition

If doors are still not aligned if the hinges are properly correctly, please watch the video.

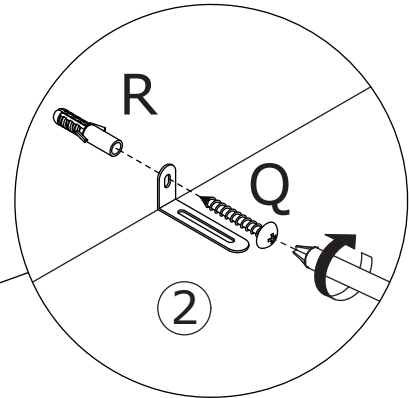
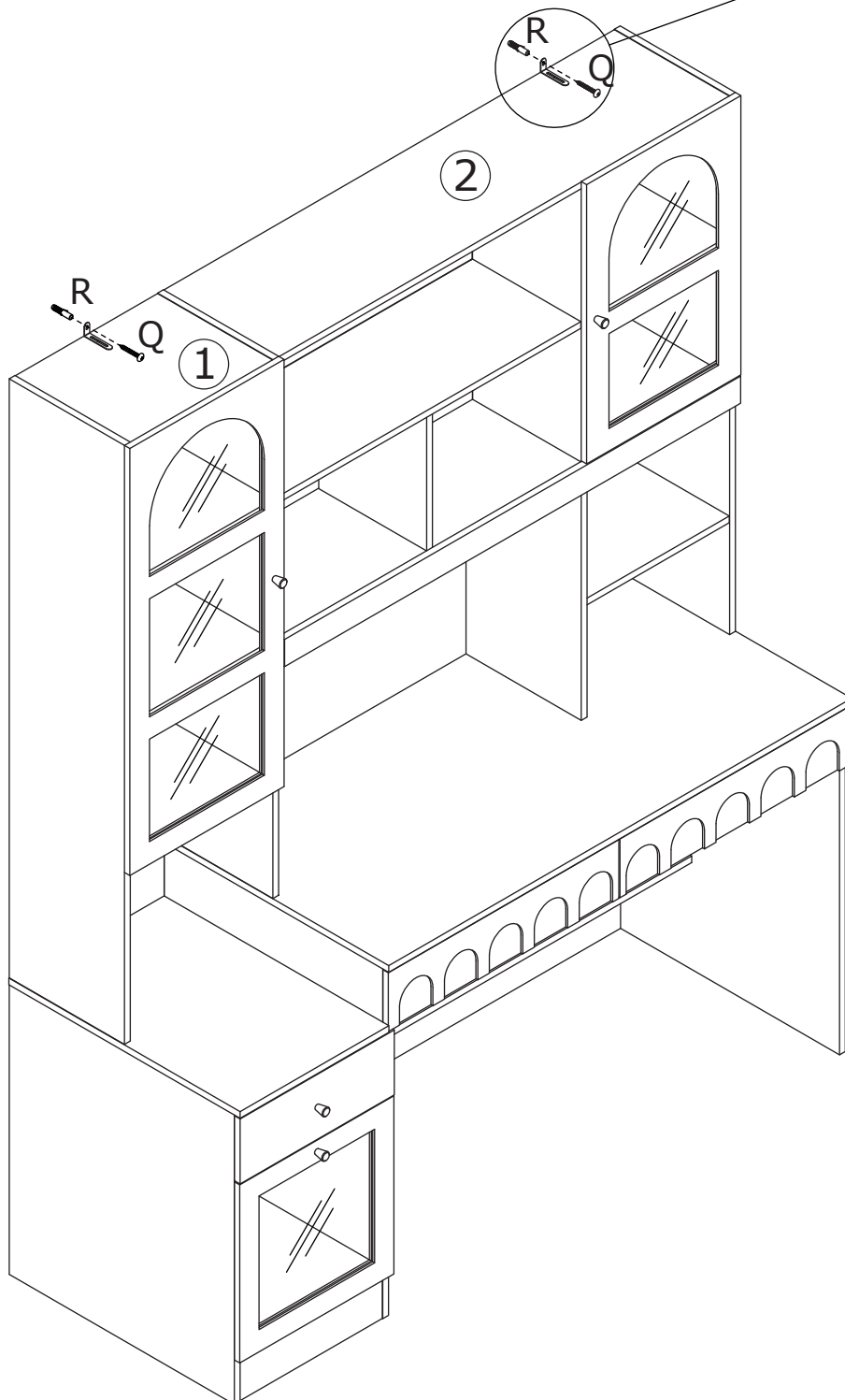
<https://youtu.be/n0Lb36SoODM>



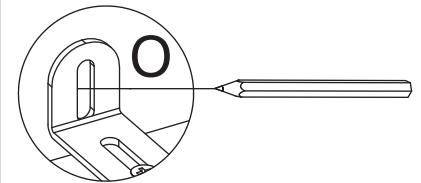
46



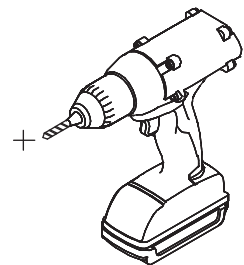
Drill holes on your wall, and install anti-tipping device as shown.



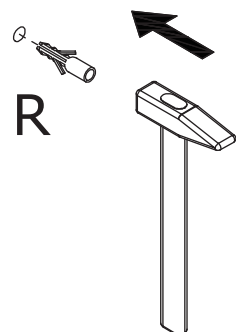
1.



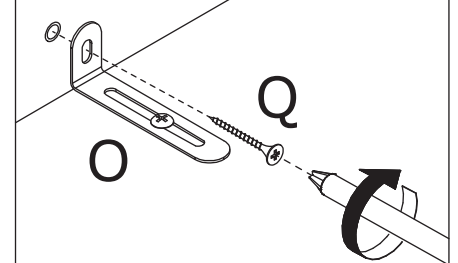
2.



3.



4.



WARRANTY

WARRANTY CLAIMS

- There is a 30-day warranty for broken furniture or any other problems that do not work properly. The warranty will start from the date of purchase which must be verified by proof of purchase.
- Before making a claim, we may be able to answer your query, simply call us. Please leave your purchase order number, along with some details of the problem, if you want a replacement part. We will arrange within 48 hours. If there is out of stock, we will reply with a shipping date.
- The product must be used in accordance with the instructions provided. For health reasons.
- For other reasons, if the furniture needs to be returned, it must be cleaned and dried and operated within 30 days of receipt.

Type of Warranty Claim

- Failure to follow the furniture instructions will invalidate the warranty. Attention please.
- Does not include damage during installation, but includes damage during transportation.

Scope of responsibility

- Shall not bear any responsibility for misuse or user damage and / or loss of parts during the installation of furniture.
- After using, the damage and scratches of the furniture are not covered by the warranty.

The Warranty Relates to All Bought in The Us and Covers The Following Areas

- Sheet parts: 1 month from the date of purchase.
- Electrical parts: 1 month from the date of purchase.

RETURNS

CHANGED YOUR MIND AND NEED TO RETURN YOU ITEM?

PLEASE FOLLOW THE BELOW INSTRUCTIONS:

- If you have purchased and have simply changed your mind, follow the retailer's instructions for returns.

DEFECTIVE ITEMS

- If your item is defective in any way, i.e. it doesn't work but you can't identify why, in the first instance, please call us.

DAMAGED ITEMS

- If you receive an order with obvious shipping damage from the retailer, then we suggest the delivery is refused. If the delivery has been accepted and then shipping damage is found, please follow the specific instructions advised by the retailer.
In all circumstances please save all packaging material and paperwork for the order. Please be aware that if you dispose of packaging material or attempt to return the merchandise without contacting the fulfiller, you jeopardise your chances of making a claim, and you may not receive a credit for the return.