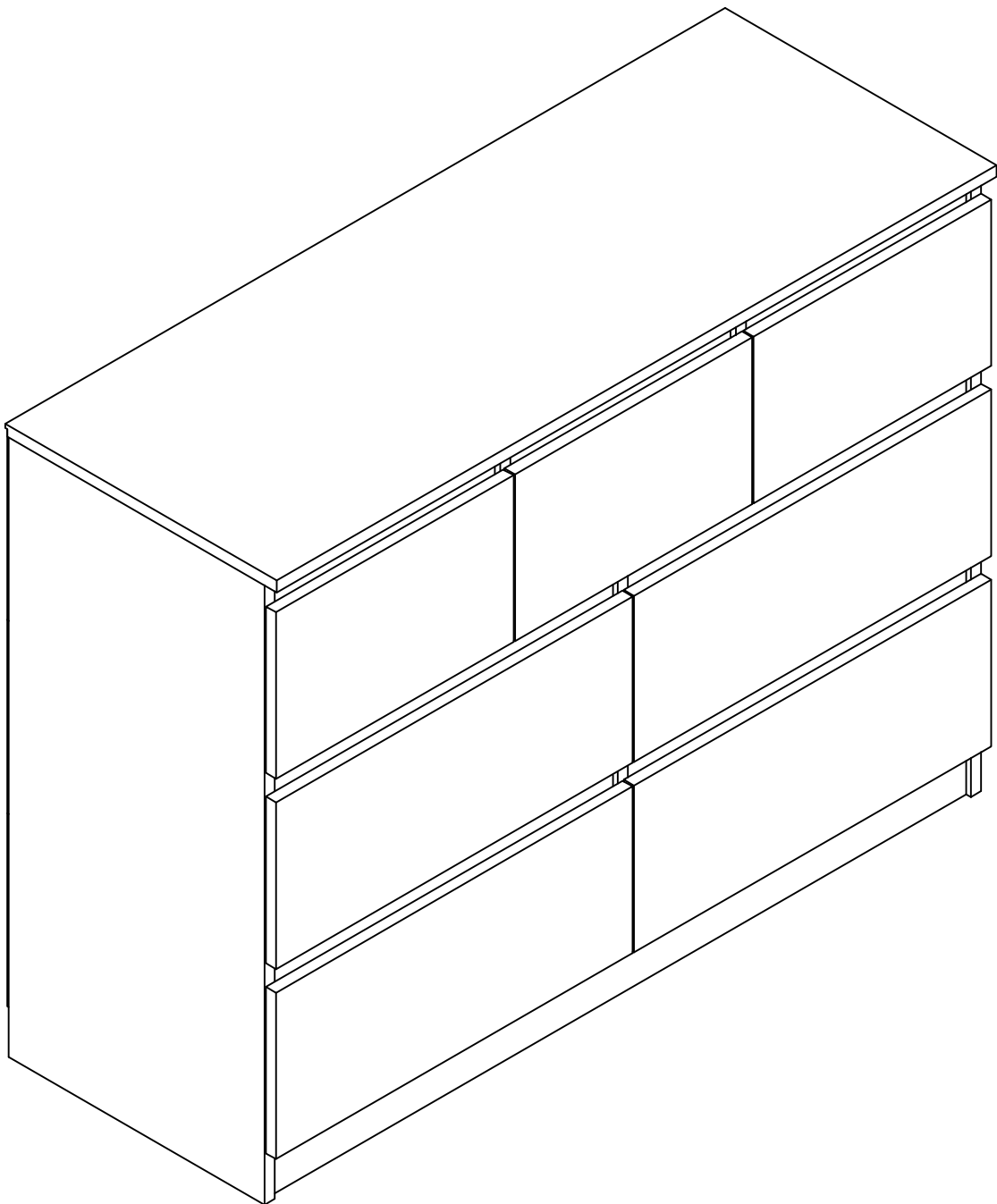


# CHEST

---

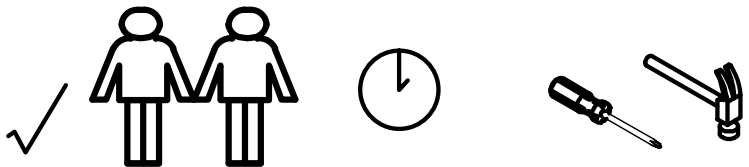
ASSEMBLY INSTRUCTION - Please Keep For Future Reference



# Safety and Care Advice

**IMPORTANT - Please Read This Instruction Carefully Before Assembly.**

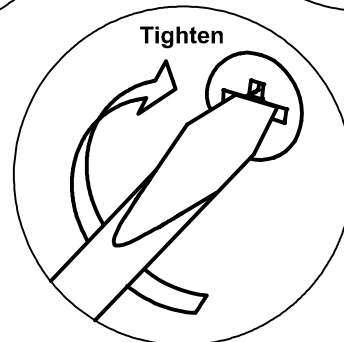
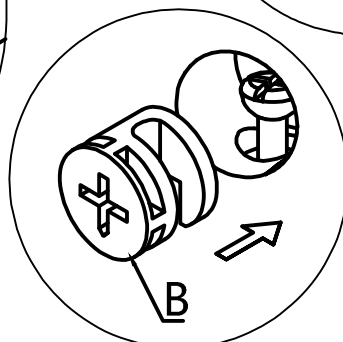
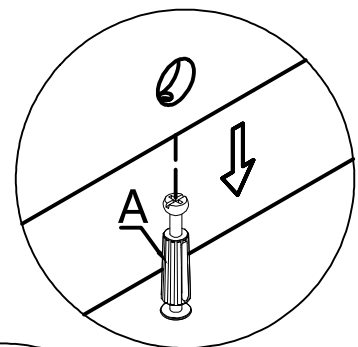
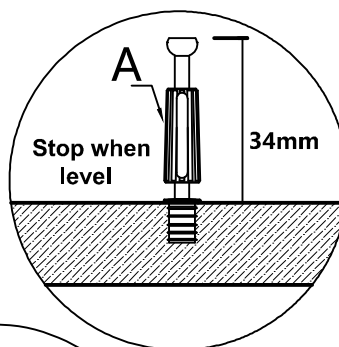
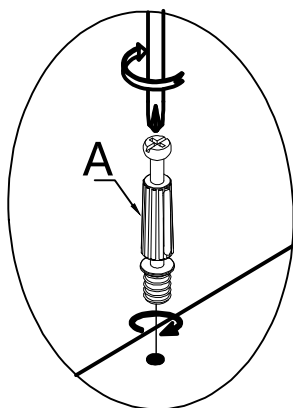
- Check you have all the components and tools listed on page 3.
- Do not stand or put weight on the product, this could cause damage.
- Do not use power drill/drivers for assembly, or the unit may be damaged.
- Remove all settings from the plastic bags and separate them into their groups.
- Assemble the item as close to it's intended position (in the same room) as possible.
- Assemble on a soft level surface to avoid damaging the unit.
- Dispose of all packaging carefully and responsibly.
- Keep children and animals away from the work area, small parts could choke if swallowed.
- Assemble on a soft level surface to avoid damaging the unit.
- Parts of the assembly will be easier with 2 people.



## CARE and MAINTENANCE

- Only clean using a damp cloth and mild detergent, do not use bleach or abrasive cleaners.
- From time to time check that there are no loose screws on this unit.
- This product should not be discarded with household waste. Take to your local authority waste disposal center.

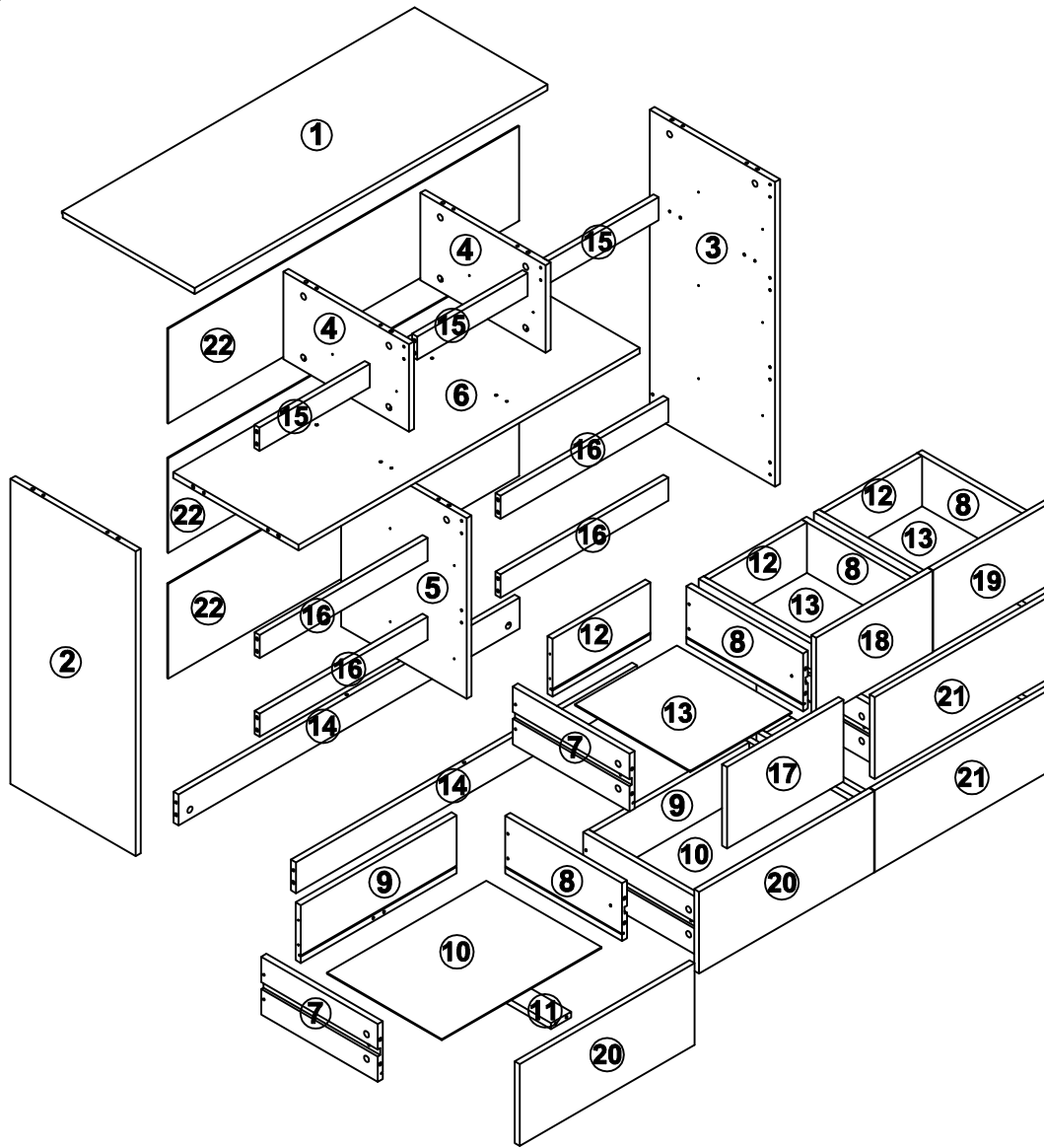
## General Hints & Tips

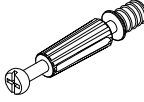
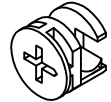
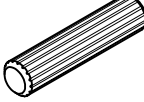

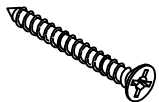



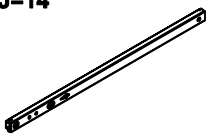


# Components and Tools

**IMPORTANT - Please Check If You Have All The Components and Tools.**

**Note: The quantities below are the correct amount to complete the assembly. In some cases more pieces may be supplied than are required.**



<p><b>A=78</b></p>  <p><b>Peg M6*34mm</b></p>	<p><b>B=78</b></p>  <p><b>Lock M15*12mm</b></p>	<p><b>C=40</b></p>  <p><b>Dowel M8*30mm</b></p>	<p><b>D=28</b></p>  <p><b>Screw M3.5*14mm</b></p>	<p><b>E=28</b></p>  <p><b>Screw M4*38</b></p>	<p><b>F=8</b></p>  <p><b>Plastic Feet</b></p>
<p><b>G=20</b></p>  <p><b>Pin</b></p>	<p><b>H=14</b></p>  <p><b>Screw M4*12mm</b></p>	<p><b>J=14</b></p>  <p><b>Drawer Runner</b></p>			

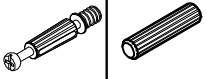
**10F2** ①, ②, ③, ④X2, ⑤, ⑥, ⑭X2, ⑮X3, ⑯X4, ⑰X3

**20F2** ⑦x7, ⑧x7, ⑨x4, ⑩x4, ⑪x4, ⑫x3, ⑬x3, ⑰, ⑱, ⑲, ⑳x2, ㉑x2, FITTING KIT

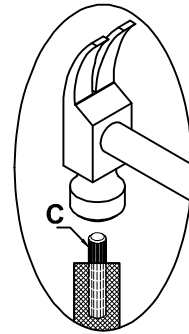
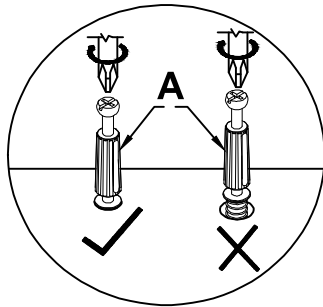
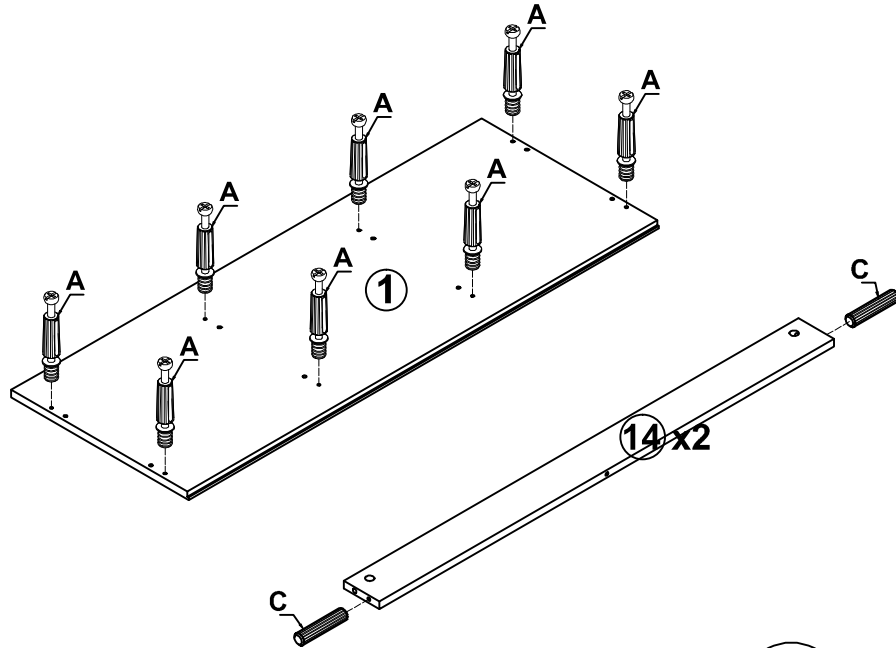
# Assembly Instruction

## Step 1

A=8 C=4

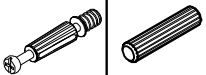


Peg Dowel

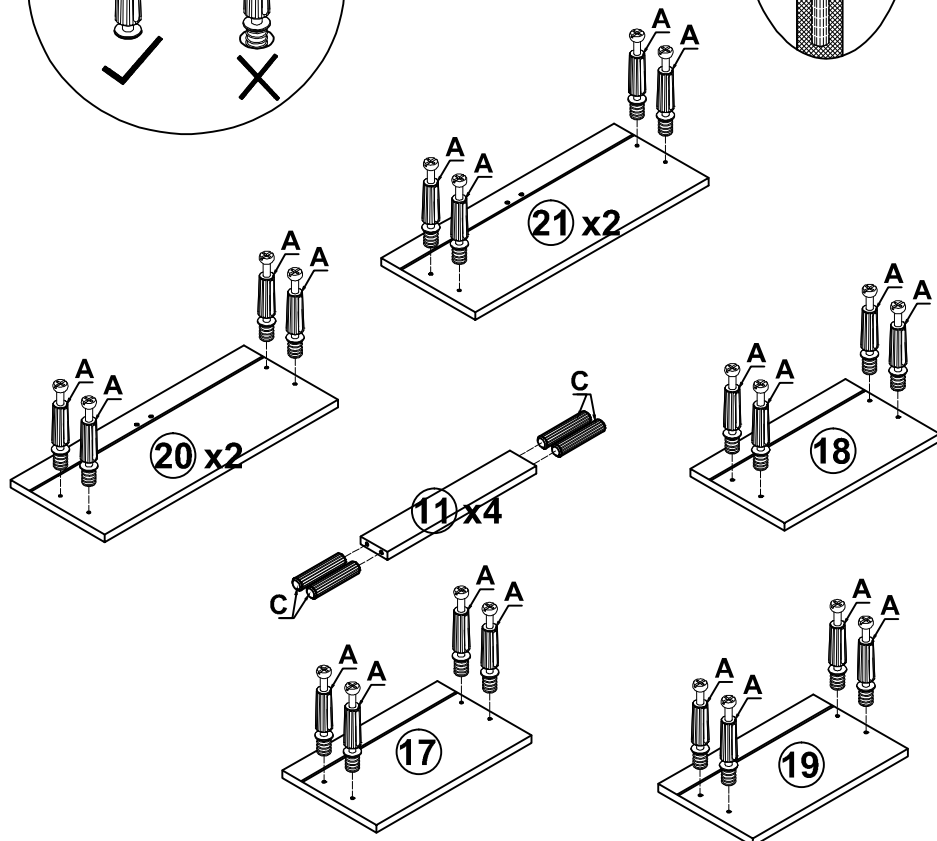


## Step 2

A=28 C=16



Peg Dowel

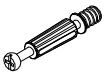


# Assembly Instruction

## Step 3

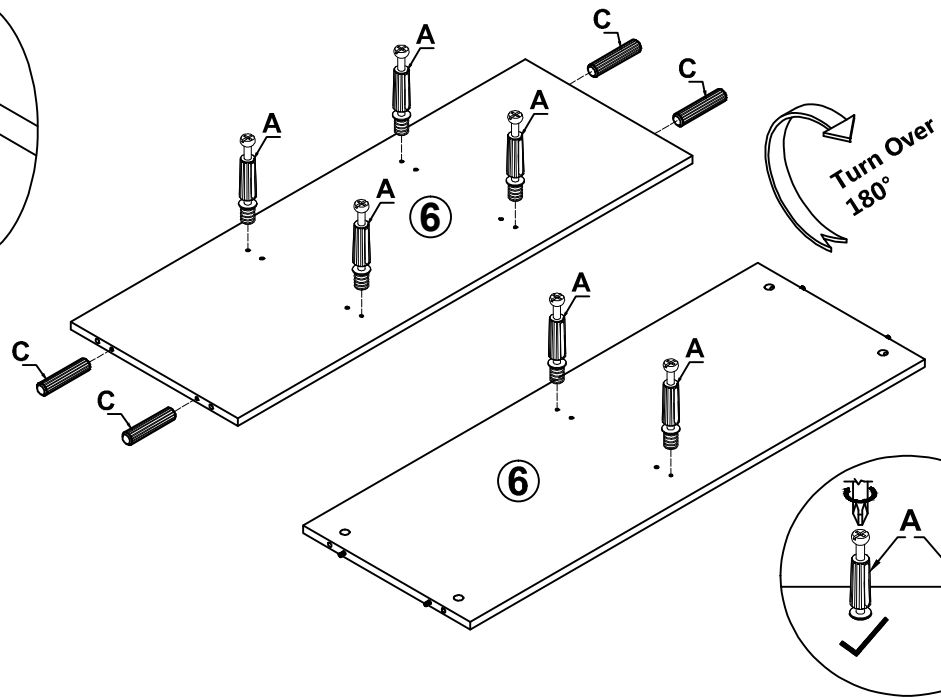
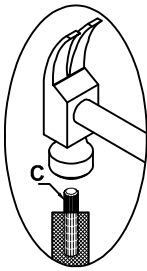
A=6

C=4



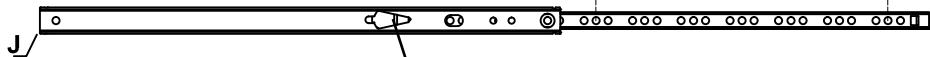
Peg

Dowel



Pull runner back

Screw in 3rd and 21st holes

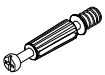


Make sure this arrow on the runners is pointing towards the veneer edge

## Step 4

A=8

C=8



Peg

Dowel

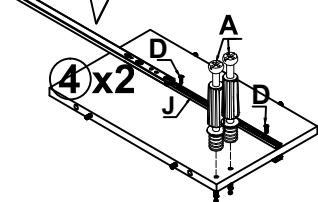
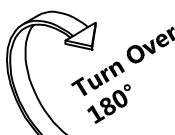
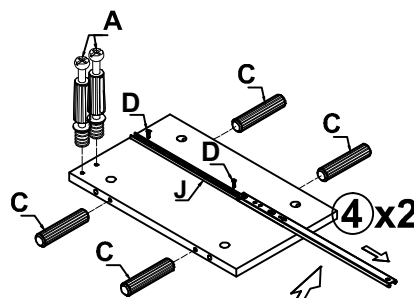
J=4

D=8



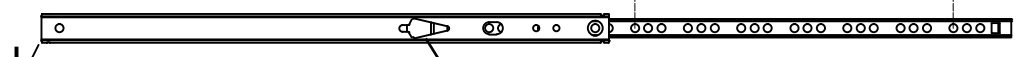
Drawer Runner

Screw M3.5\*14mm



Pull runner back

Screw in 4th and 22nd hole.



Make sure this arrow on the runners is pointing towards the veneer edge



# Assembly Instruction

## Step 7

A=10

J=3



Peg

Drawer Runner

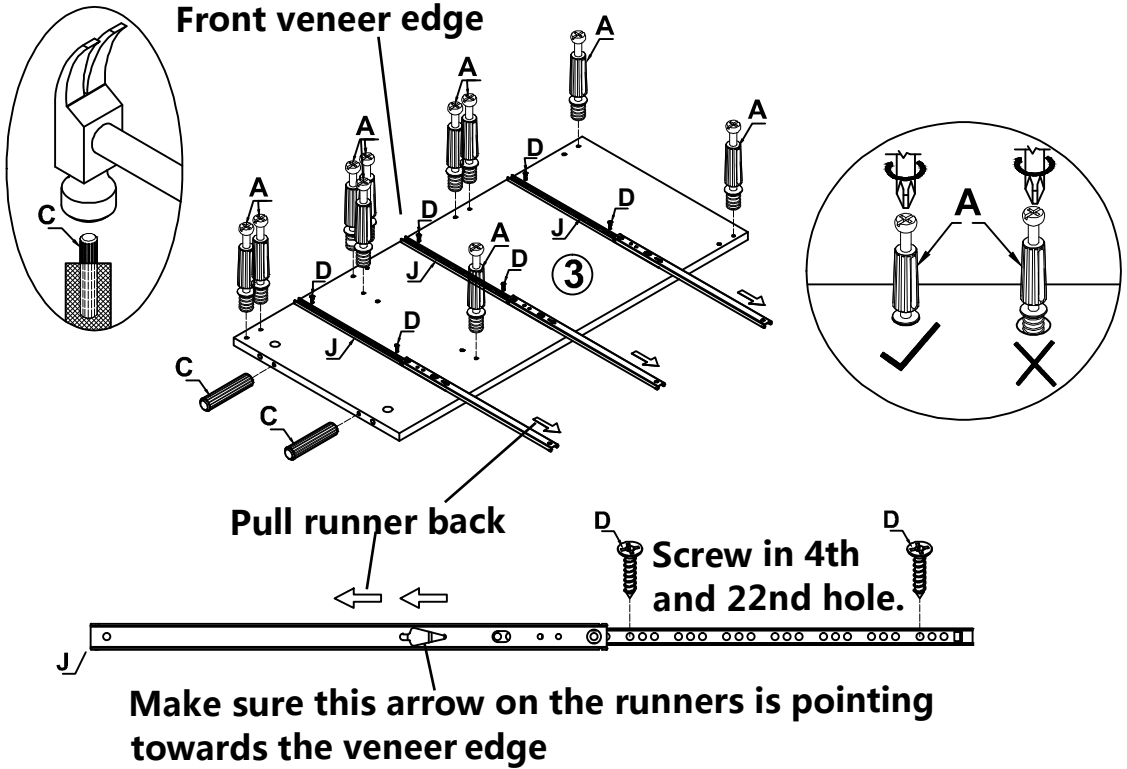
D=6

C=2



Screw  
M3.5\*14mm

Dowel

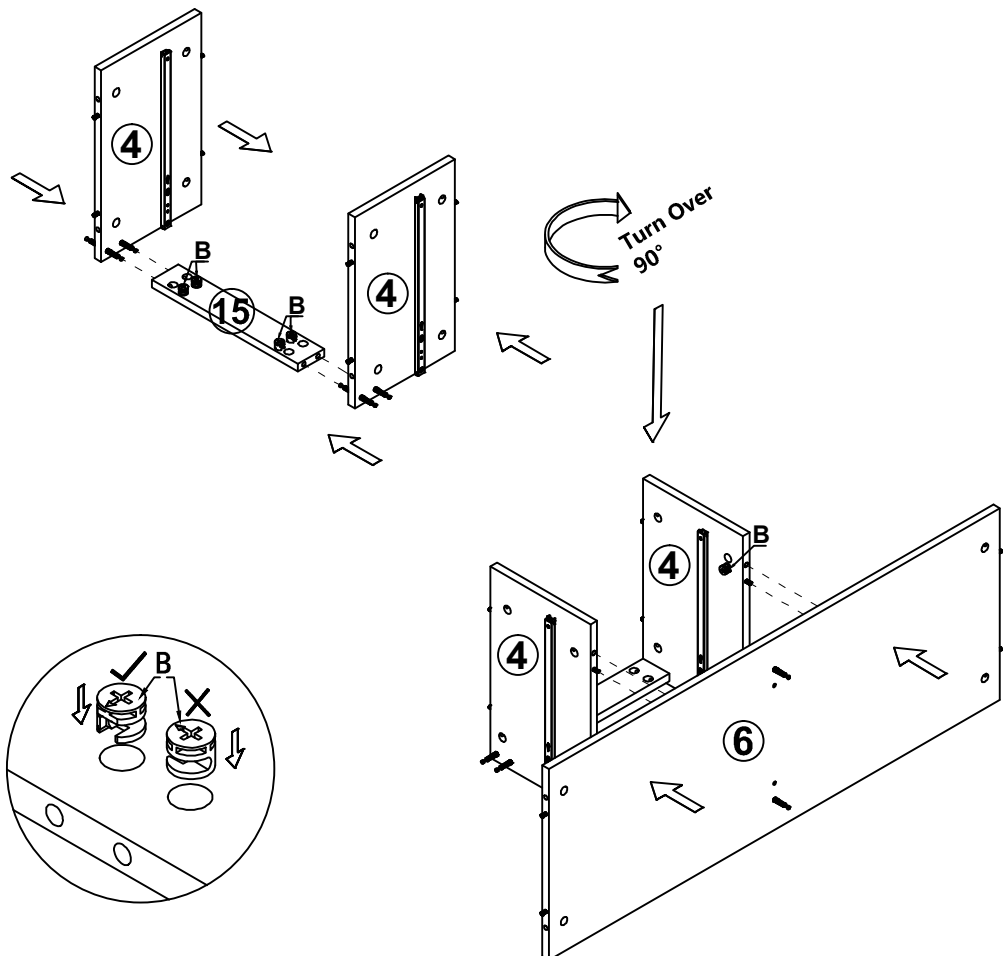


## Step 8

B=8



Lock



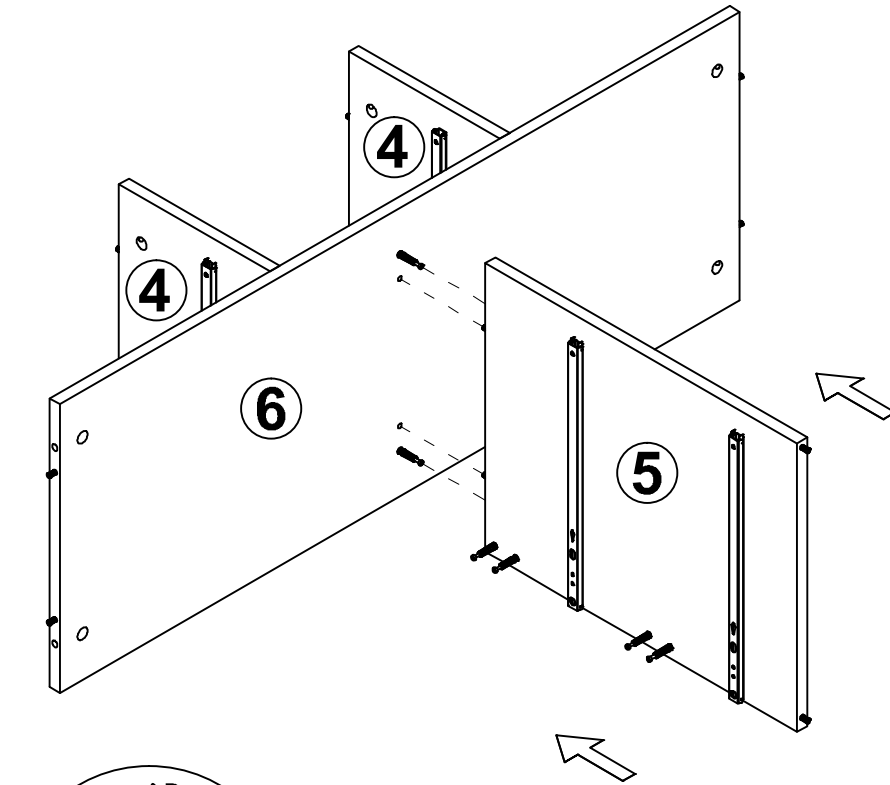
# Assembly Instruction

## Step 9

B=2



Lock

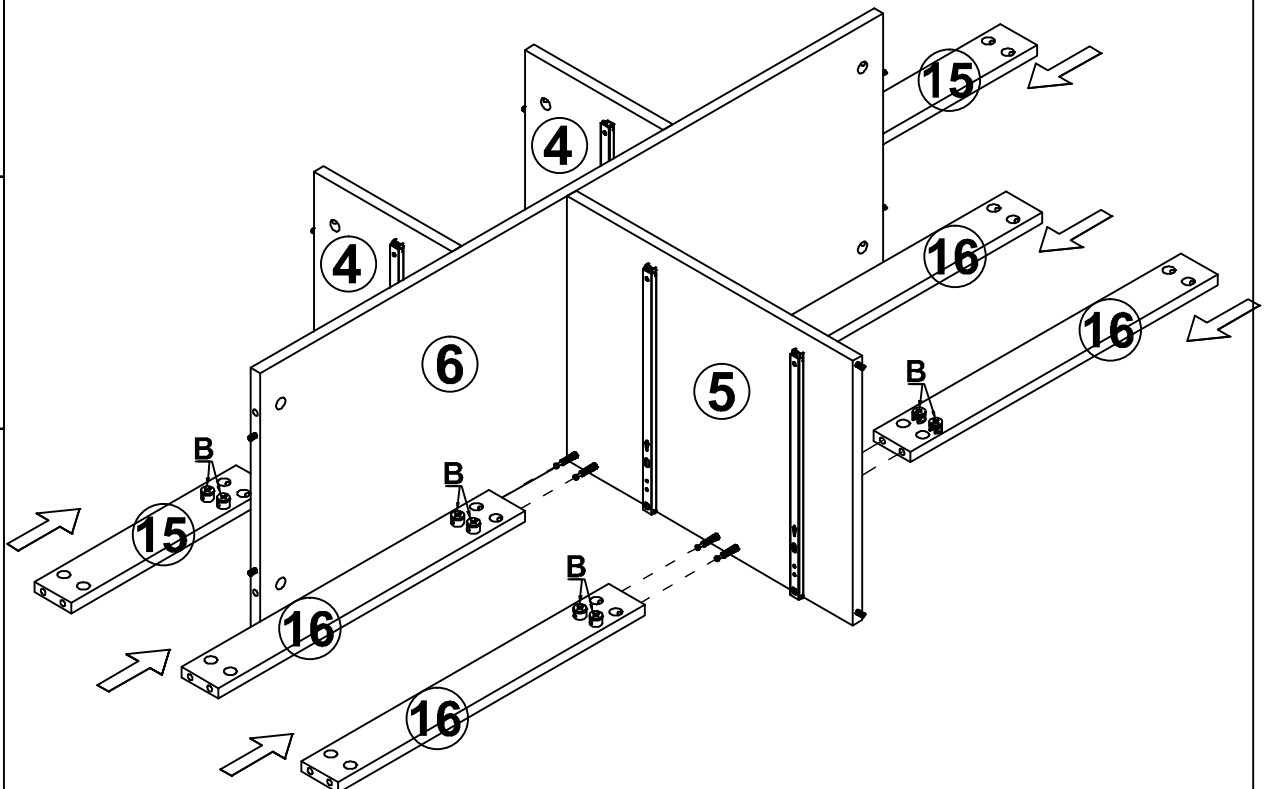


## Step 10

B=12



Lock



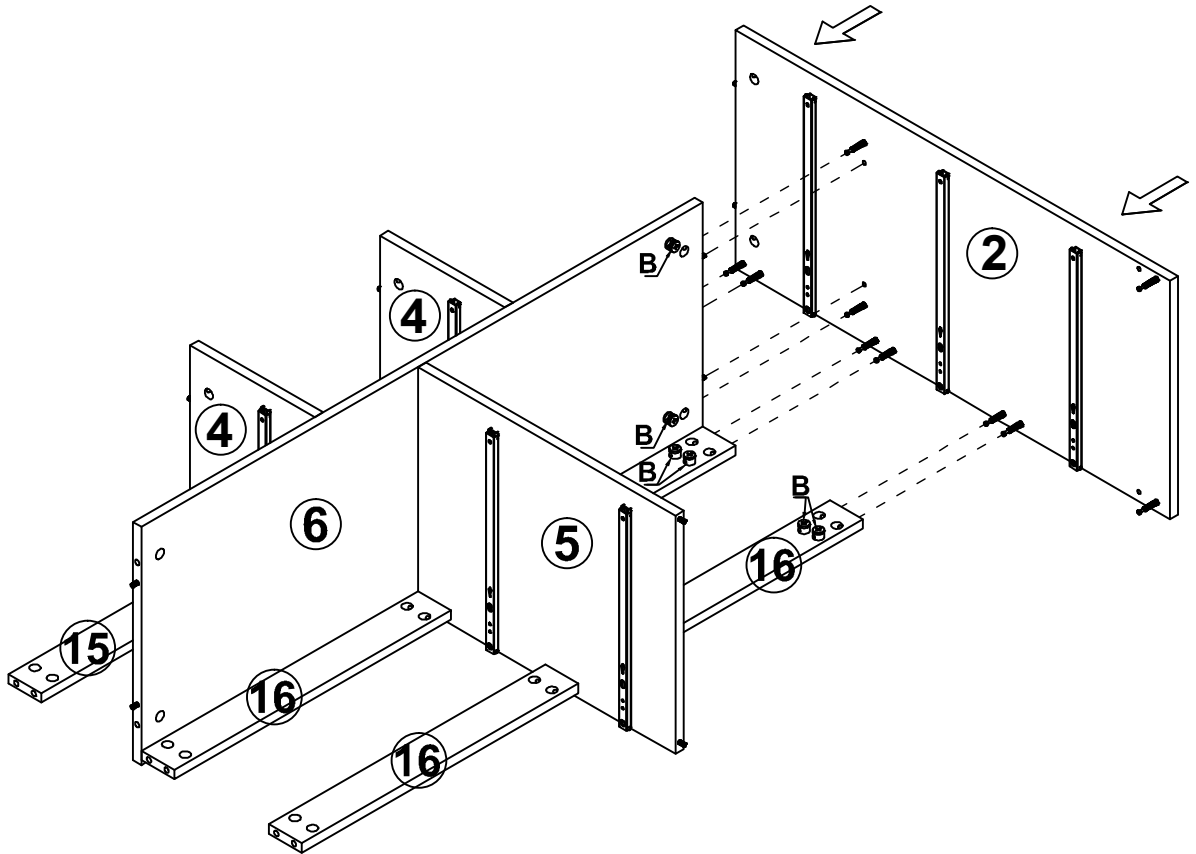
# Assembly Instruction

## Step 11

B=8



Lock

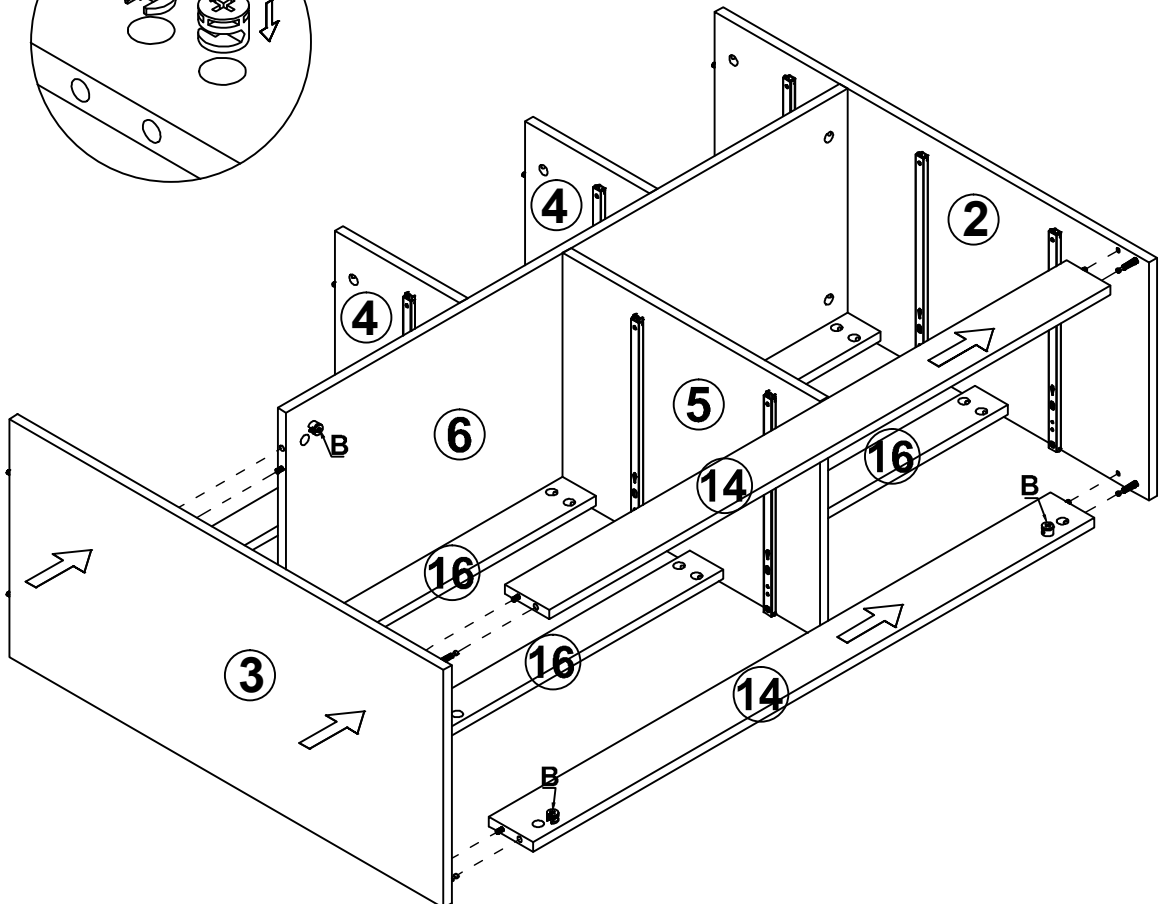
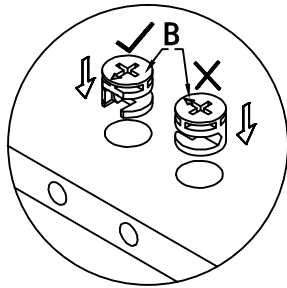


## Step 12

B=12



Lock



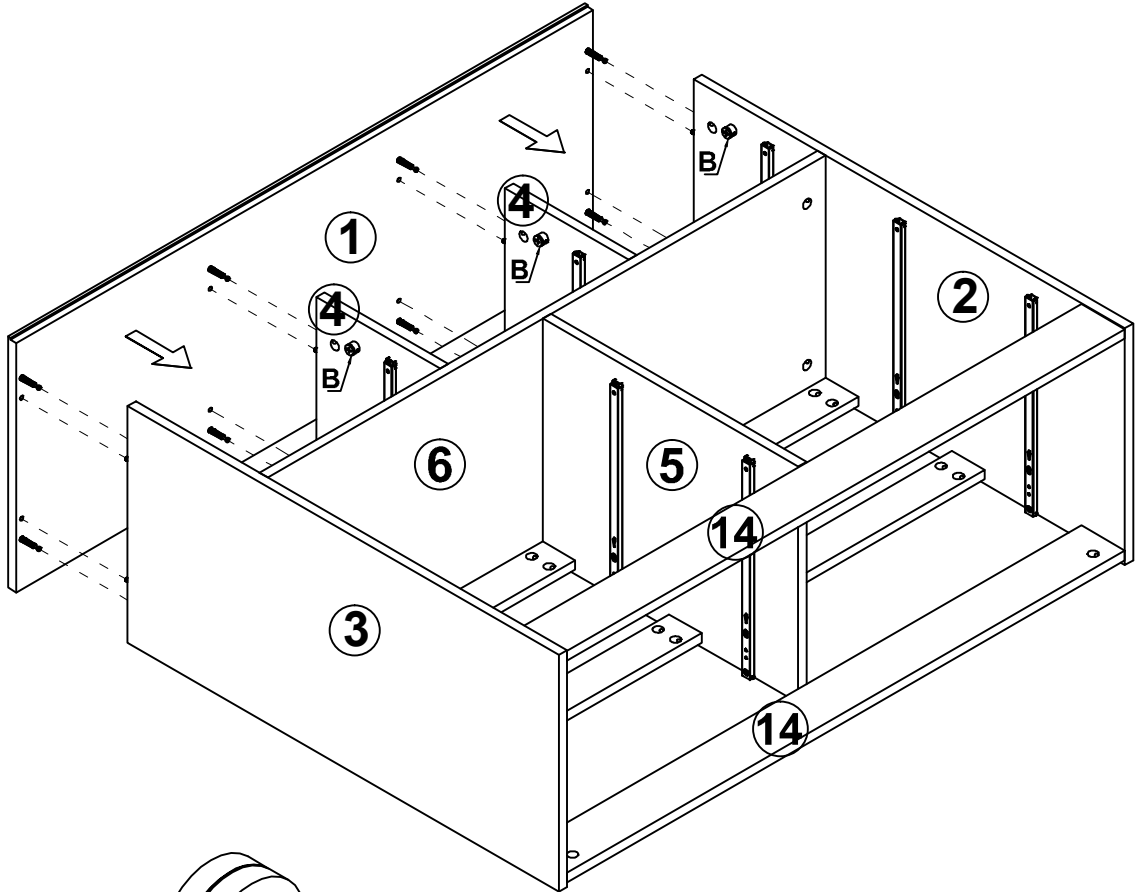
# Assembly Instruction

## Step 13

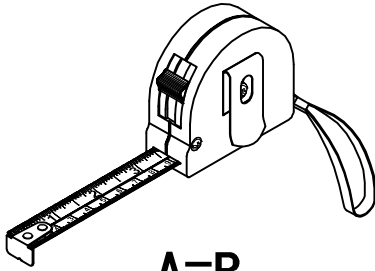
B=8



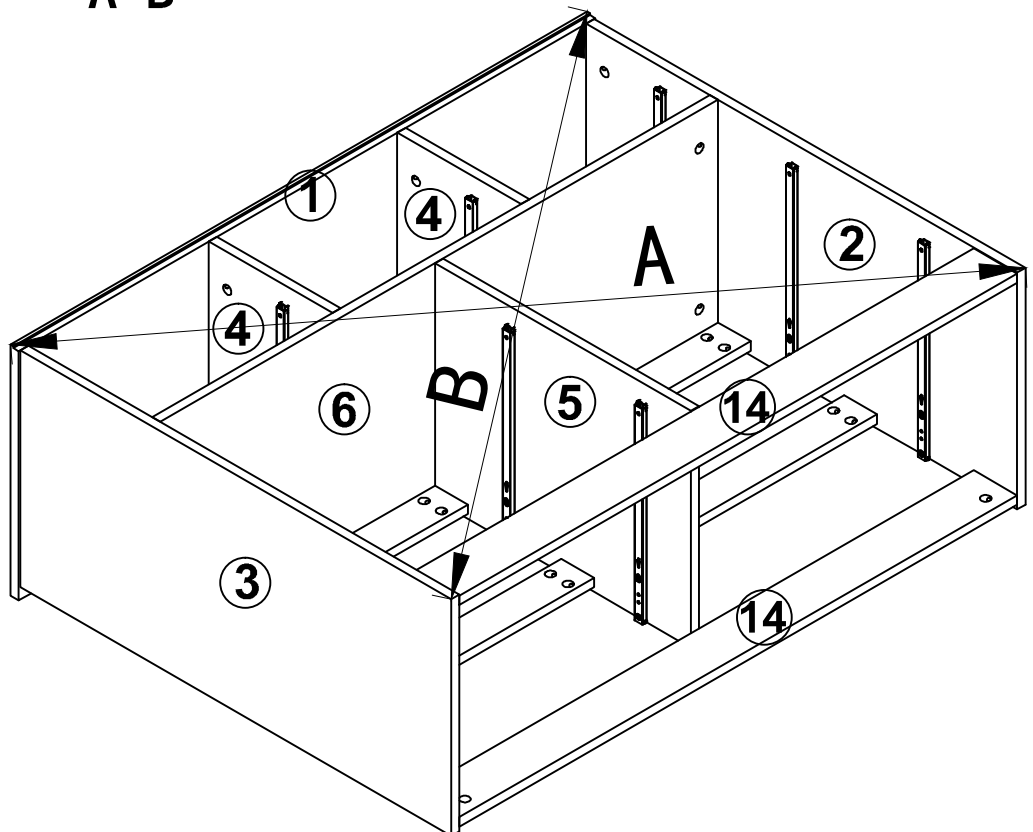
Lock



## Step 14



A=B



# Assembly Instruction

## Step 15

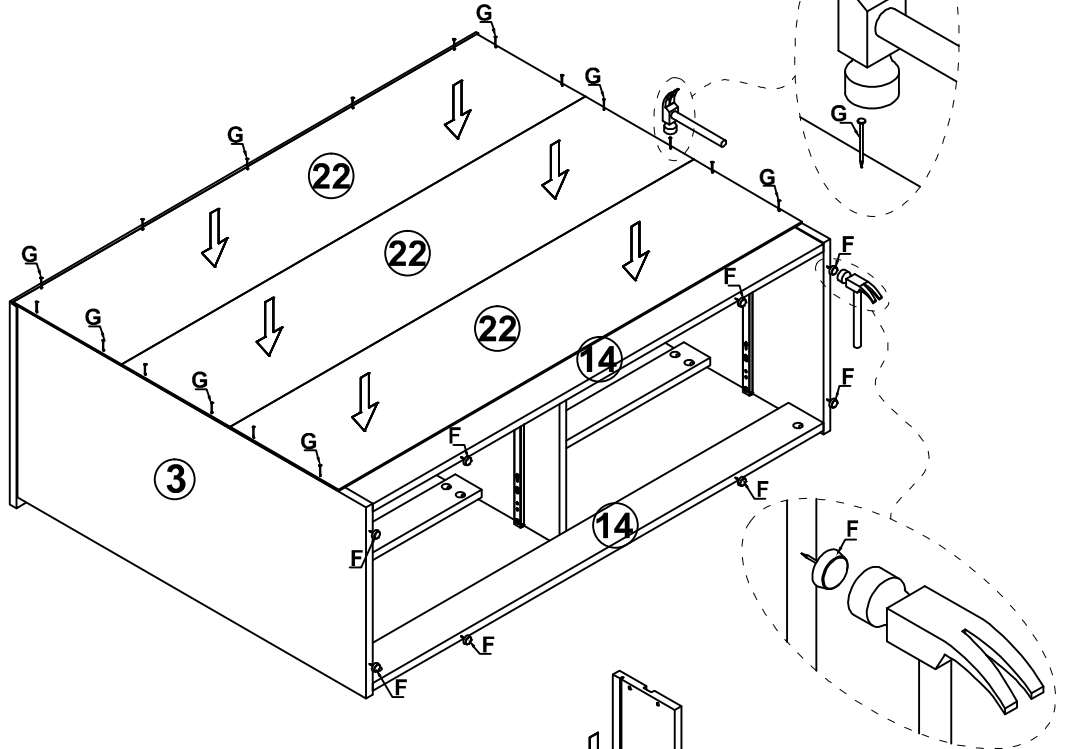
G=18

F=8



Pin

Plastic  
Feet



## Step 16

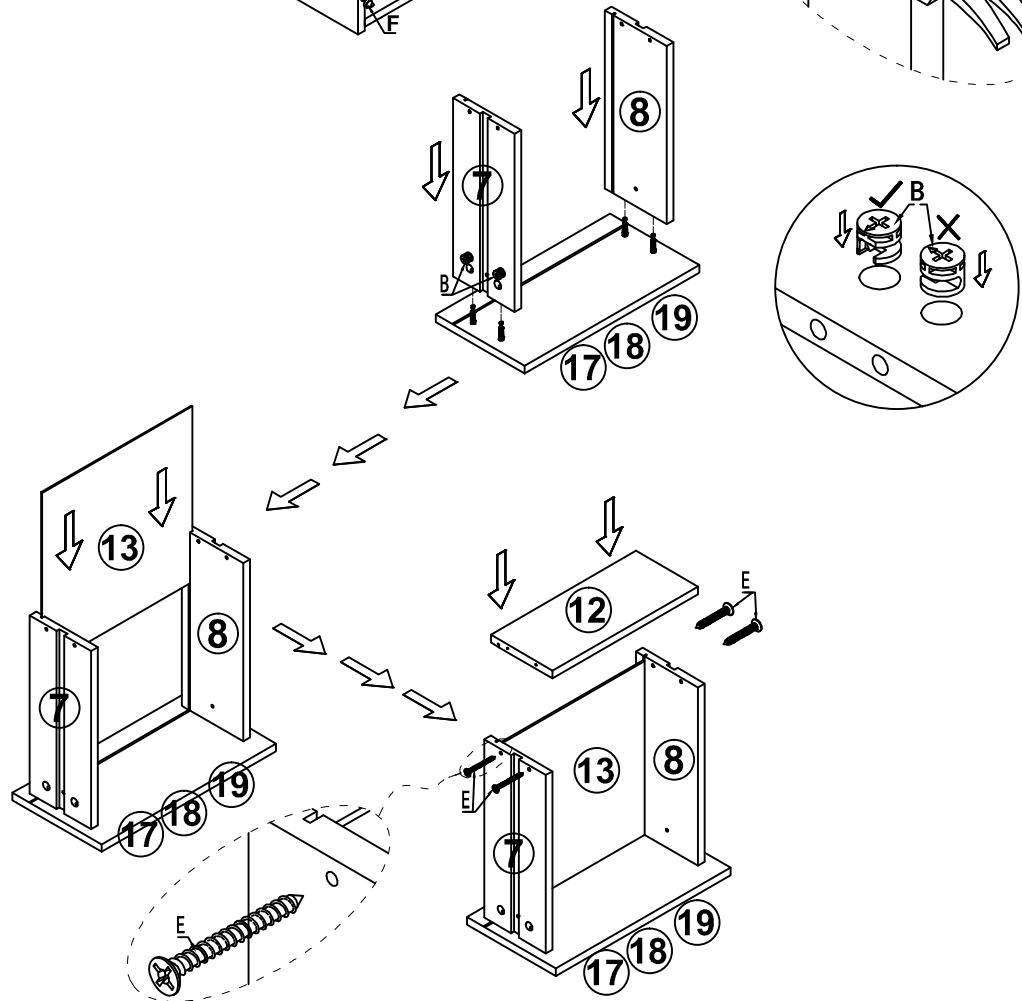
B=12

E=12



Lock

Screw  
M4\*38



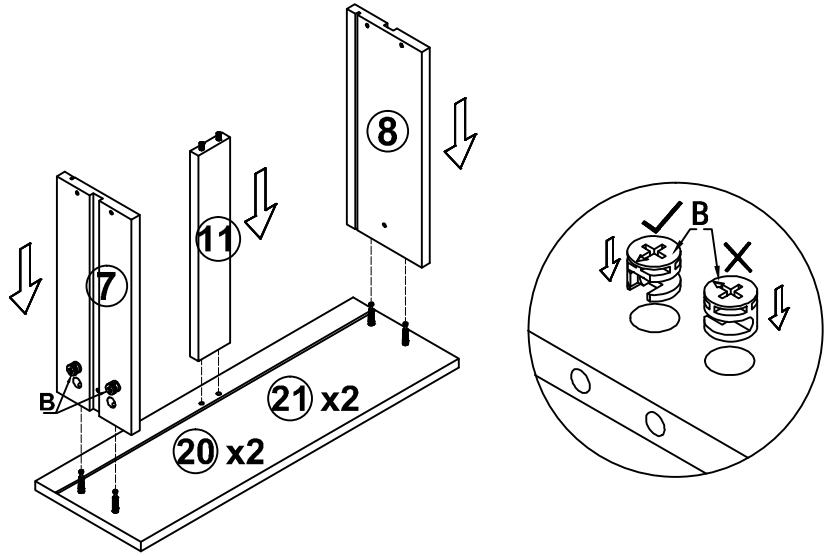
# Assembly Instruction

## Step 17

B=16



Lock

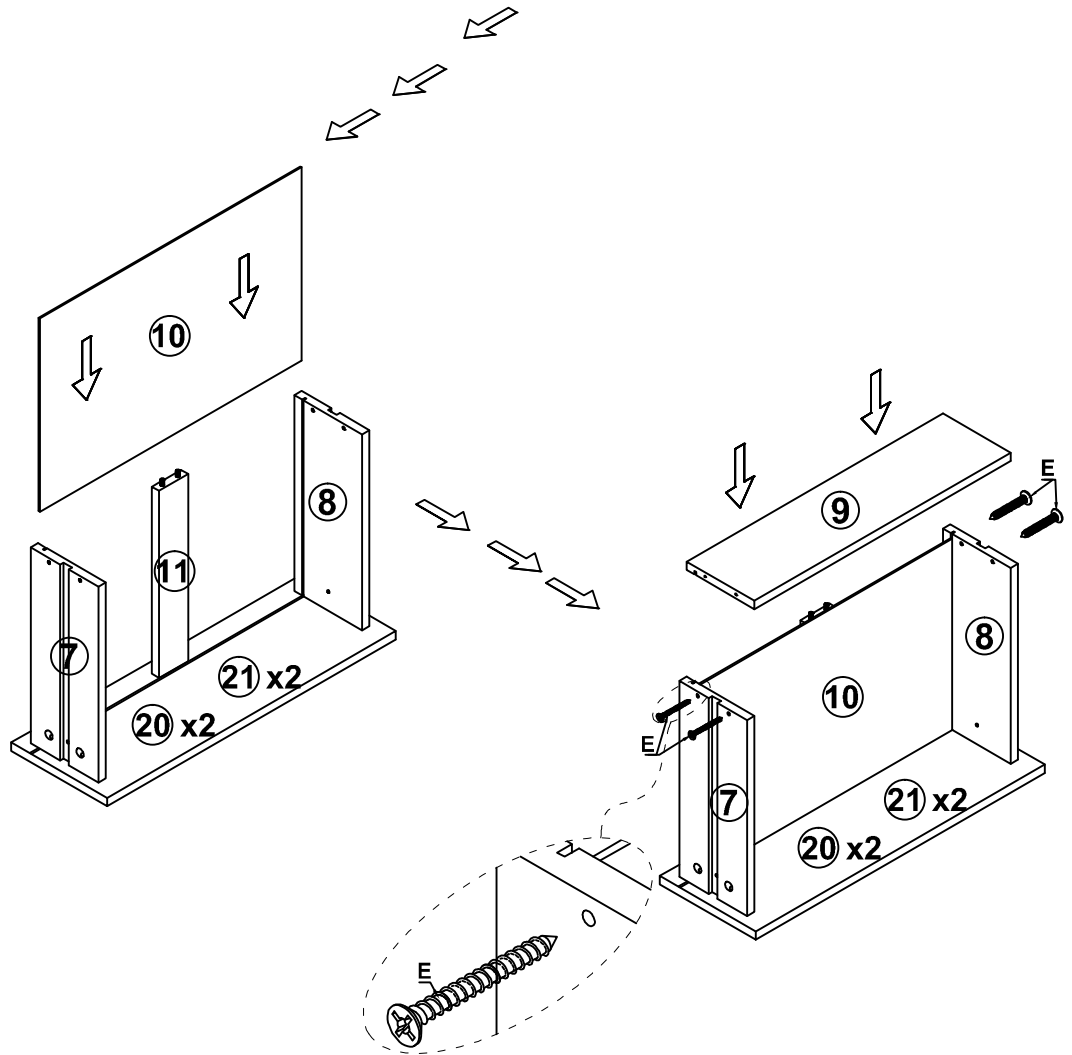


## Step 18

E=16

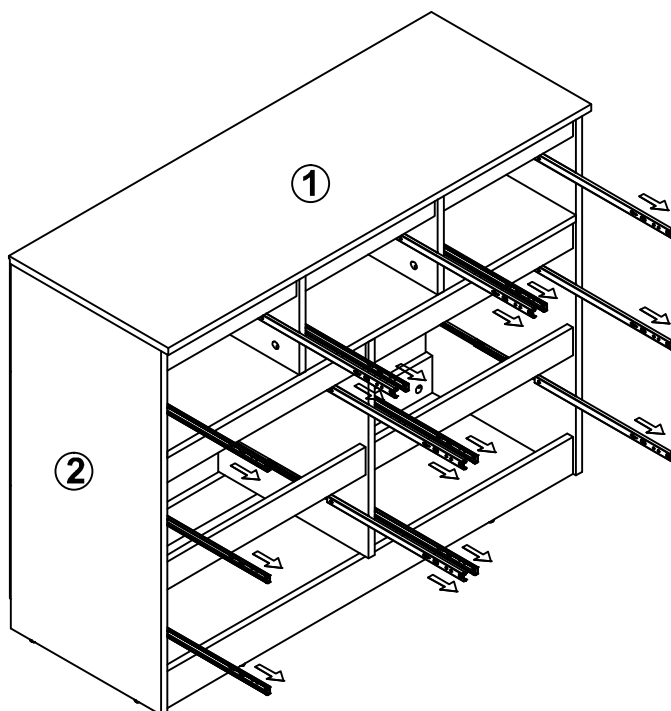


Screw  
M4\*38

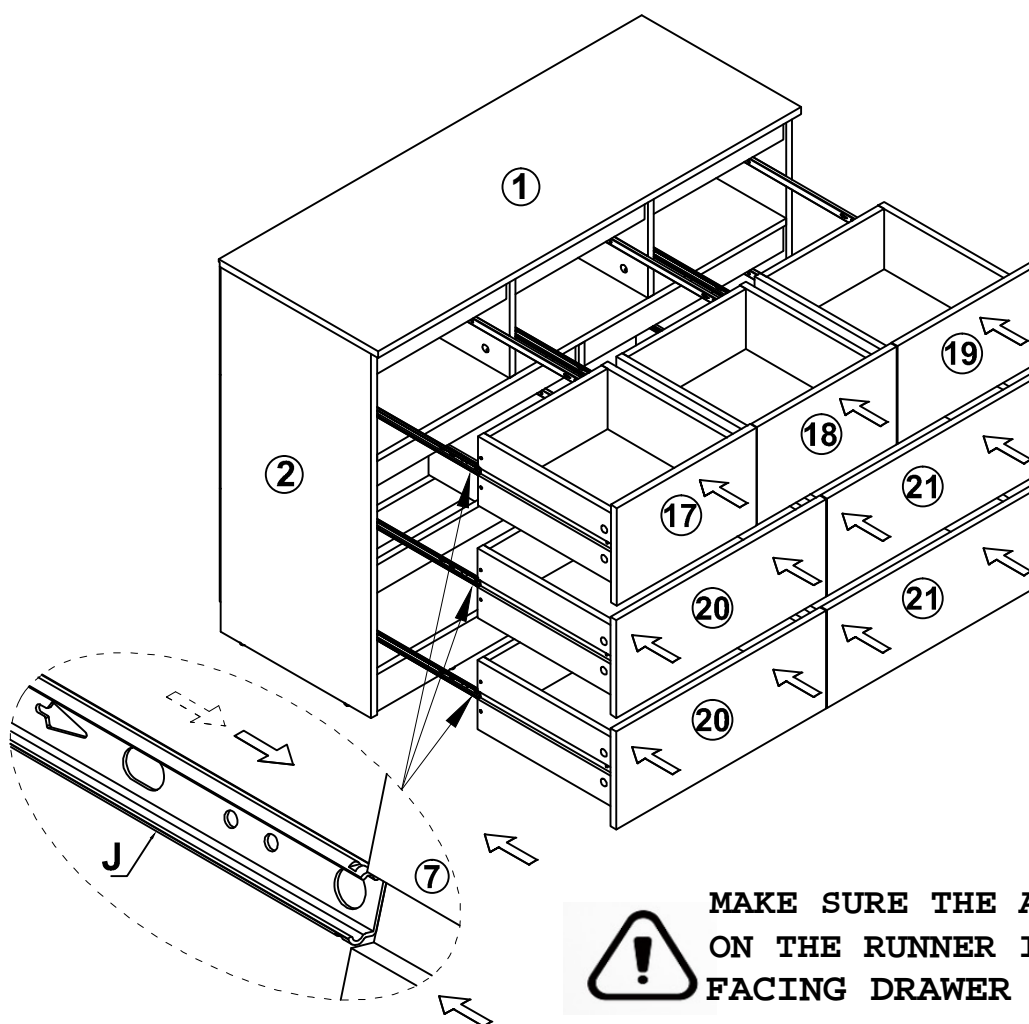


# Assembly Instruction

## Step 19



## Step 20



**MAKE SURE THE ARROW  
ON THE RUNNER IS  
FACING DRAWER FRONT**

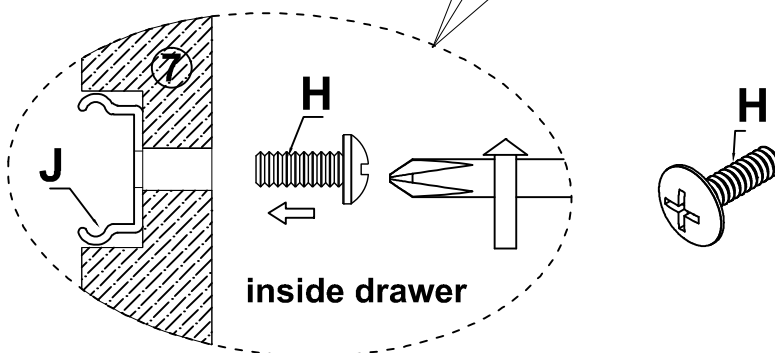
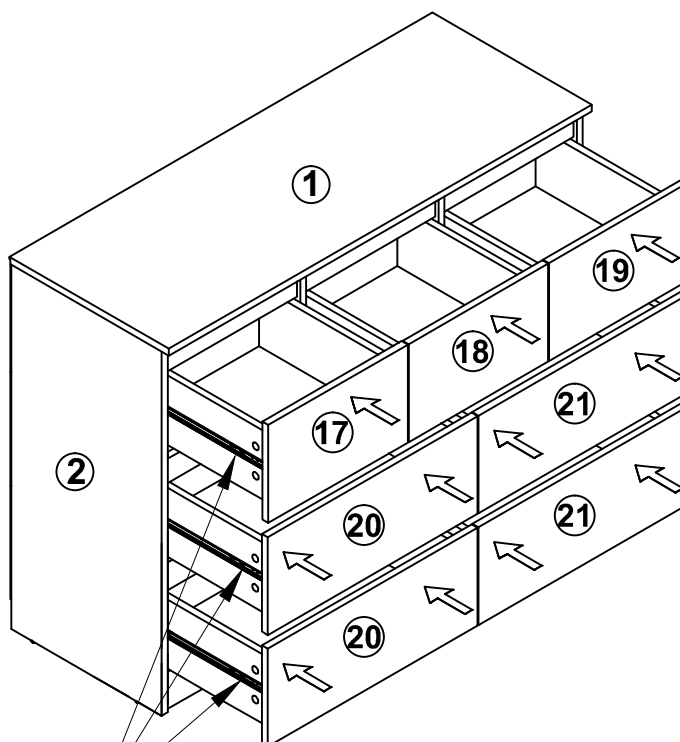
# Assembly Instruction

## Step 21

H=14



Screw  
M4\*12mm



## Step 22

