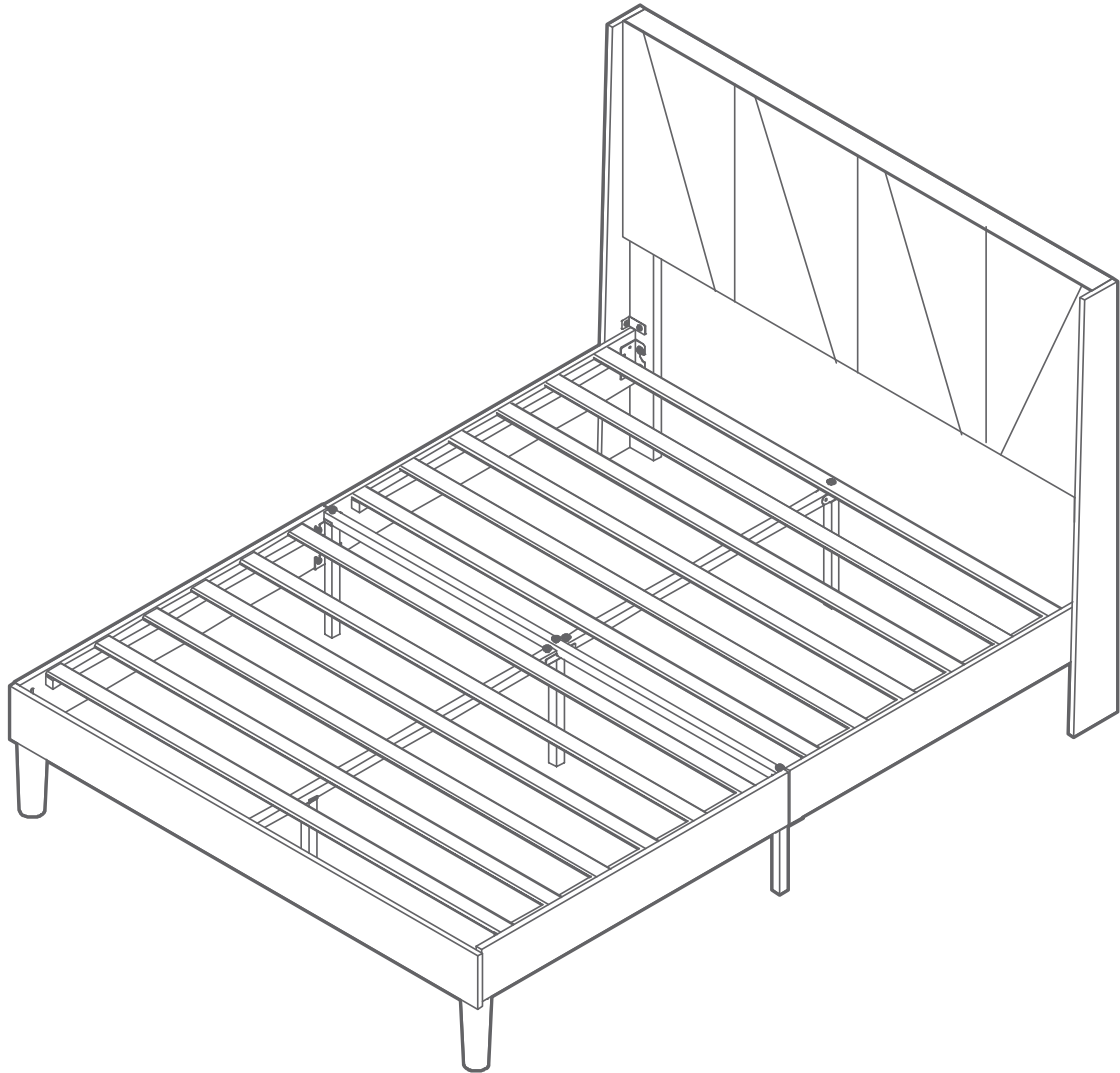
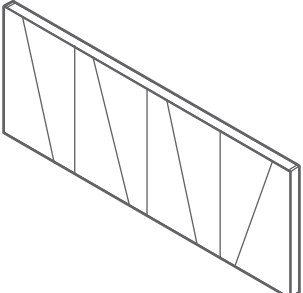
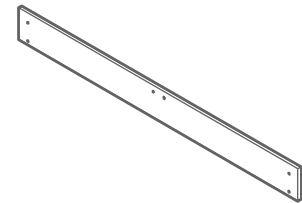
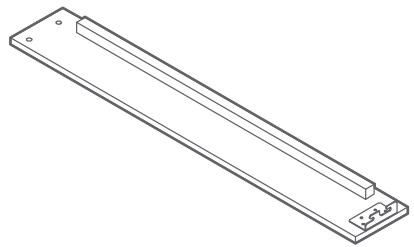
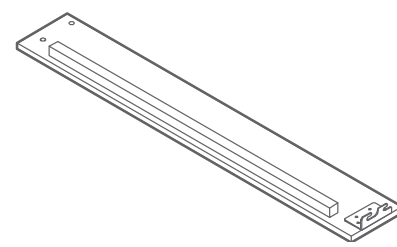
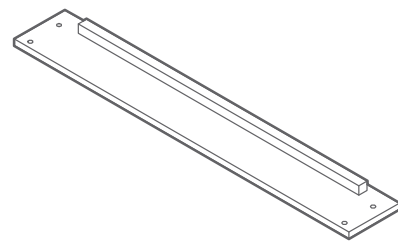
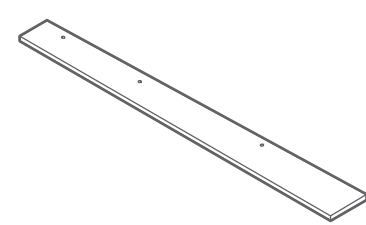
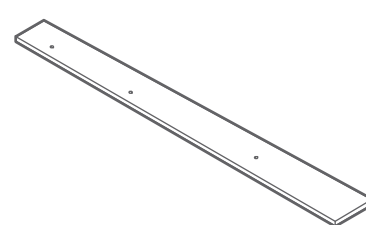
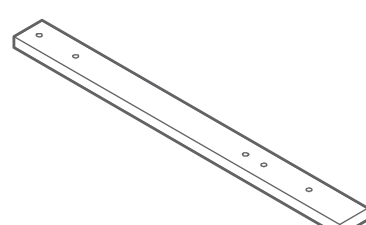
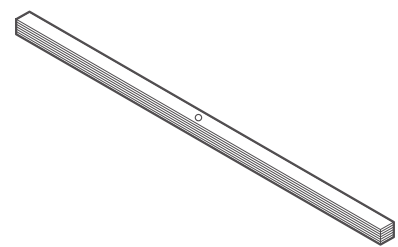
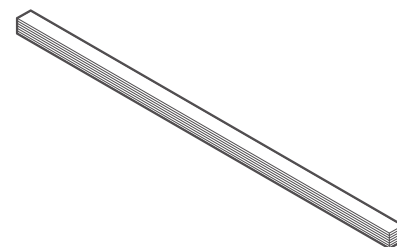
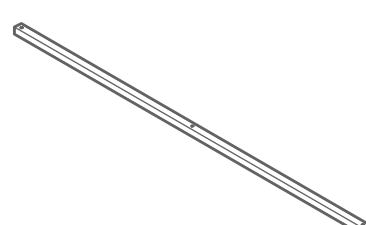
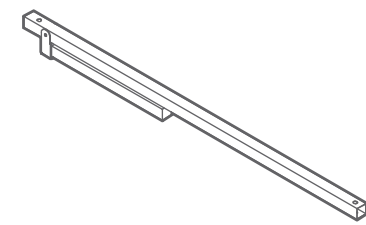
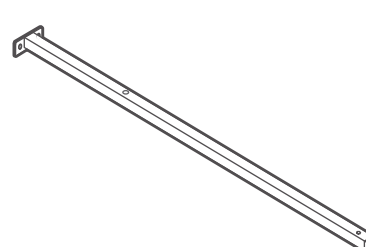




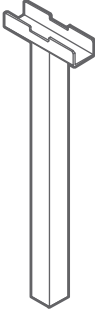
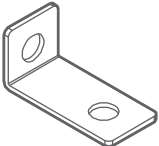
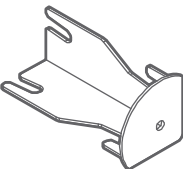

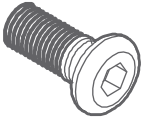

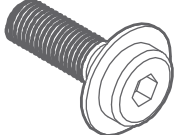
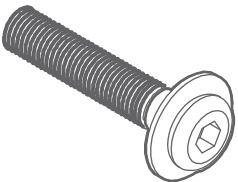
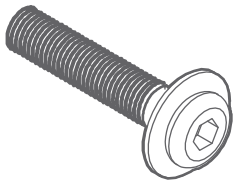
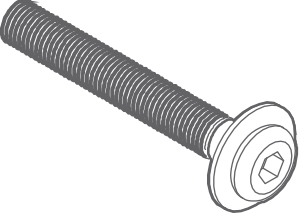

# PLATFORM BED ORIGINAL

## INSTRUCTION MANUAL



# PARTS LIST

<b>A</b>  <b>1×</b>	<b>B</b>  <b>1×</b>	<b>C</b>  <b>1×</b>
<b>D</b>  <b>1×</b>	<b>C1</b>  <b>2×</b>	<b>A1</b>  <b>1×</b>
<b>A2</b>  <b>1×</b>	<b>A3</b>  <b>2×</b>	<b>E</b>  <b>1×</b>
<b>E1</b>  <b>1×</b>	<b>F</b>  <b>1×</b>	<b>G</b>  <b>1×</b>
<b>G1</b>  <b>1×</b>	<b>H</b>  <b>2×</b>	<b>F1</b>  <b>2×</b>

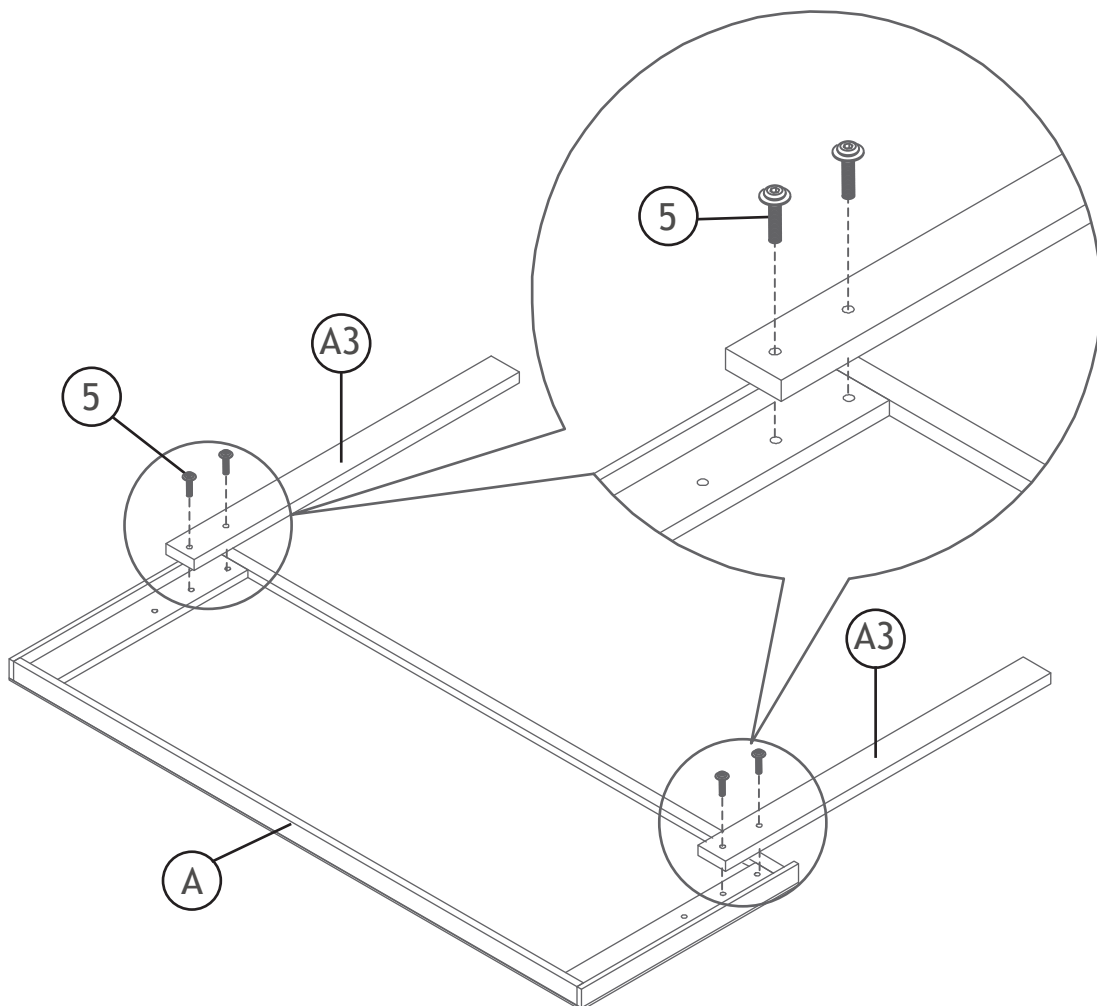
<p>I</p>  <p>1×J</p>	<p>6×K</p> 	<p>2×</p> 
<p>L</p>  <p>1×1</p>	<p>20×2</p>  <p>M8×18</p>	<p>10×</p>  <p>M8×18</p>
<p>3</p>  <p>M8×25</p>	<p>4×4</p>  <p>M8×35</p>	<p>4×5</p>  <p>M8×45</p>
<p>6</p>  <p>M8×50</p>	<p>3×7</p>  <p>1×</p>	

# ASSEMBLY

Before your installation, please make sure that you have all the parts listed on the manual. If you find something missing, stop installing and contact your supplier immediately.

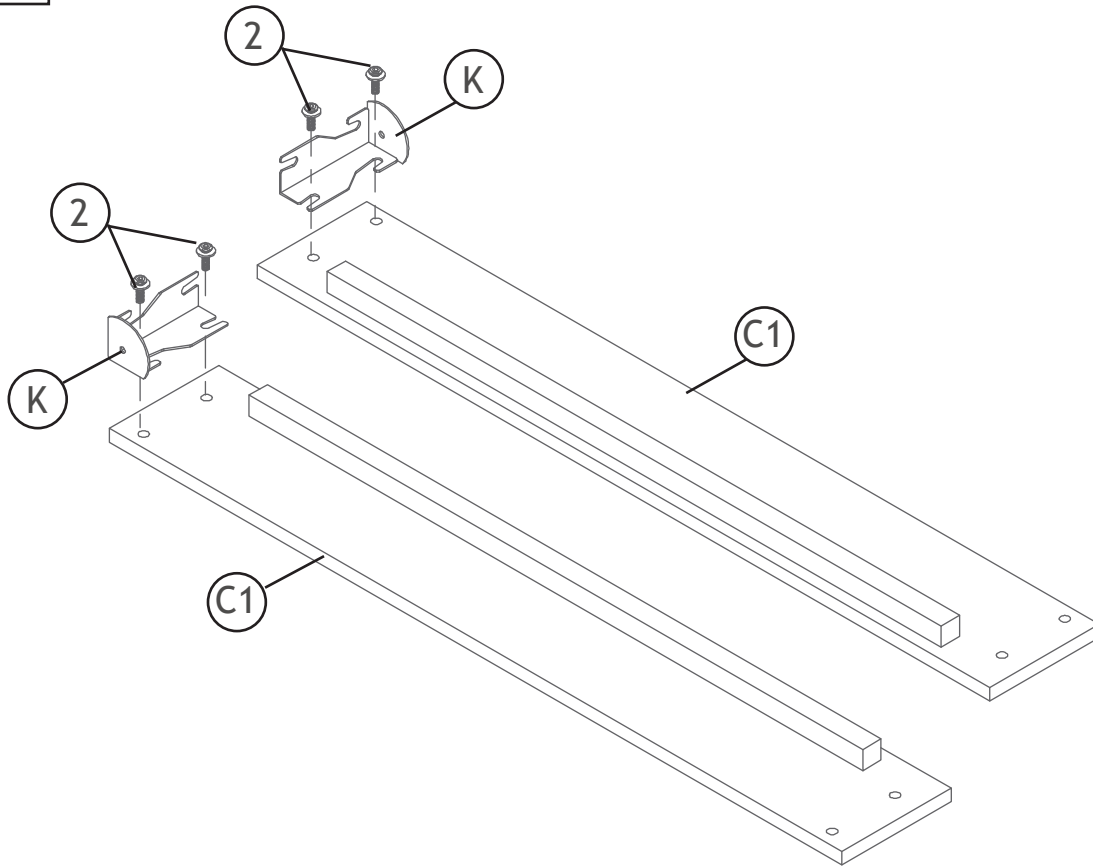
**NOTE: Please do not completely tighten all the hardware until the entire assembly is completed!**

1

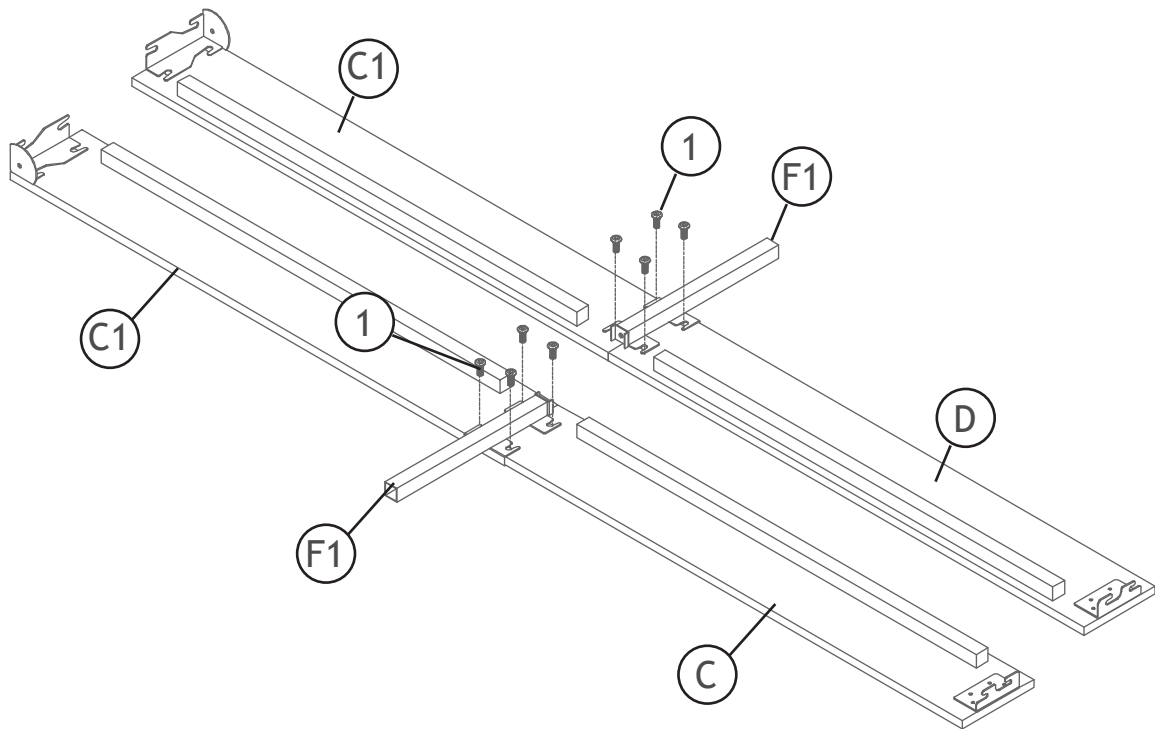


The headboard(A) can be adjusted up and down by fixing the position of screws on the back.

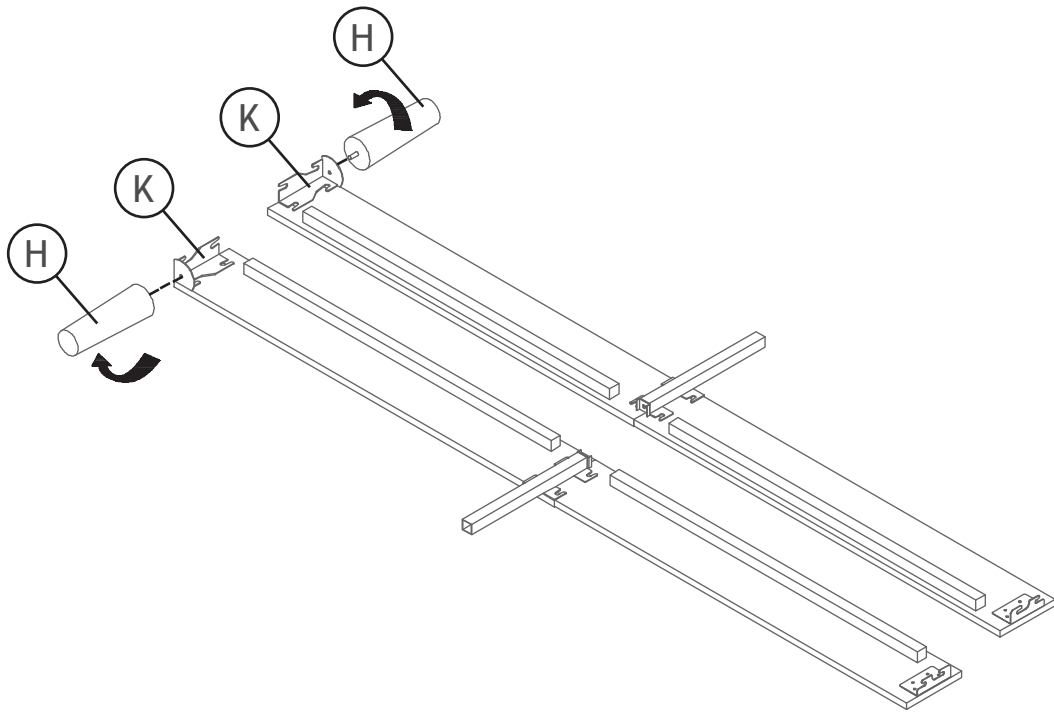
2



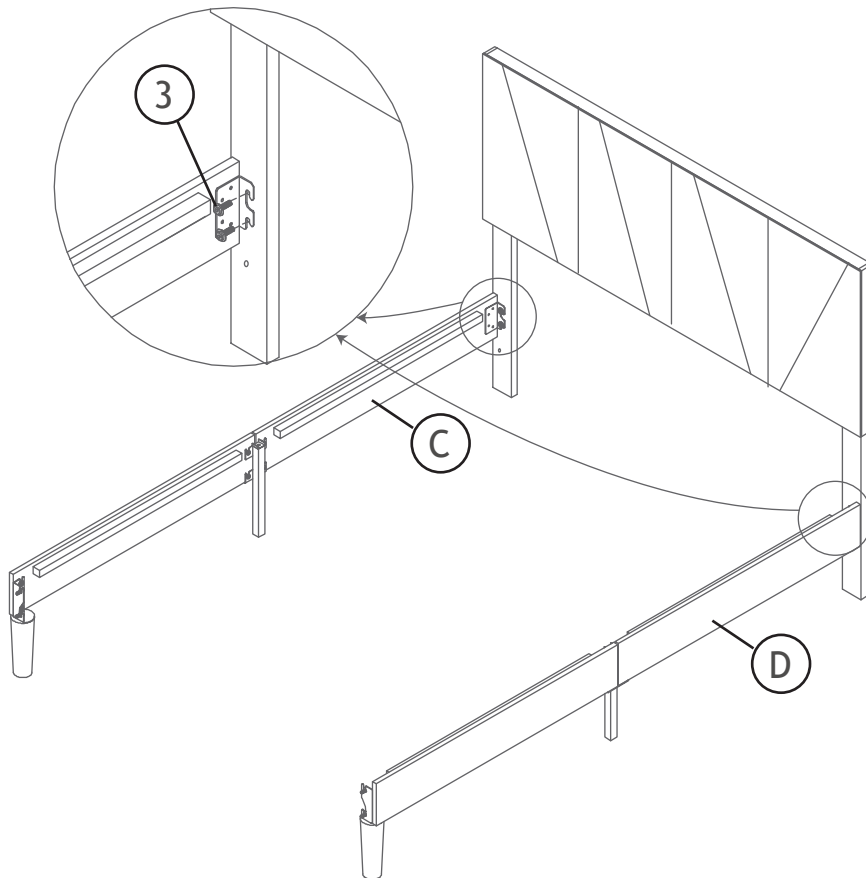
3



4

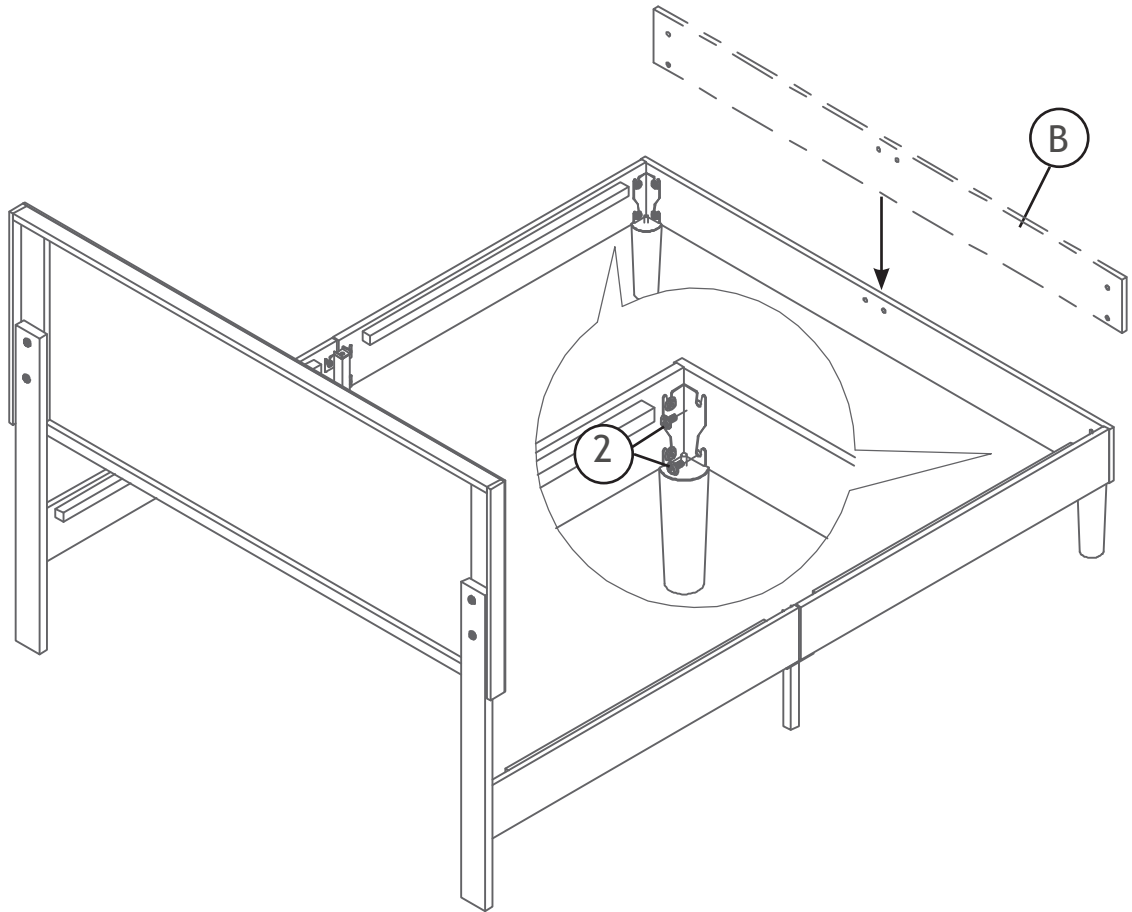


5

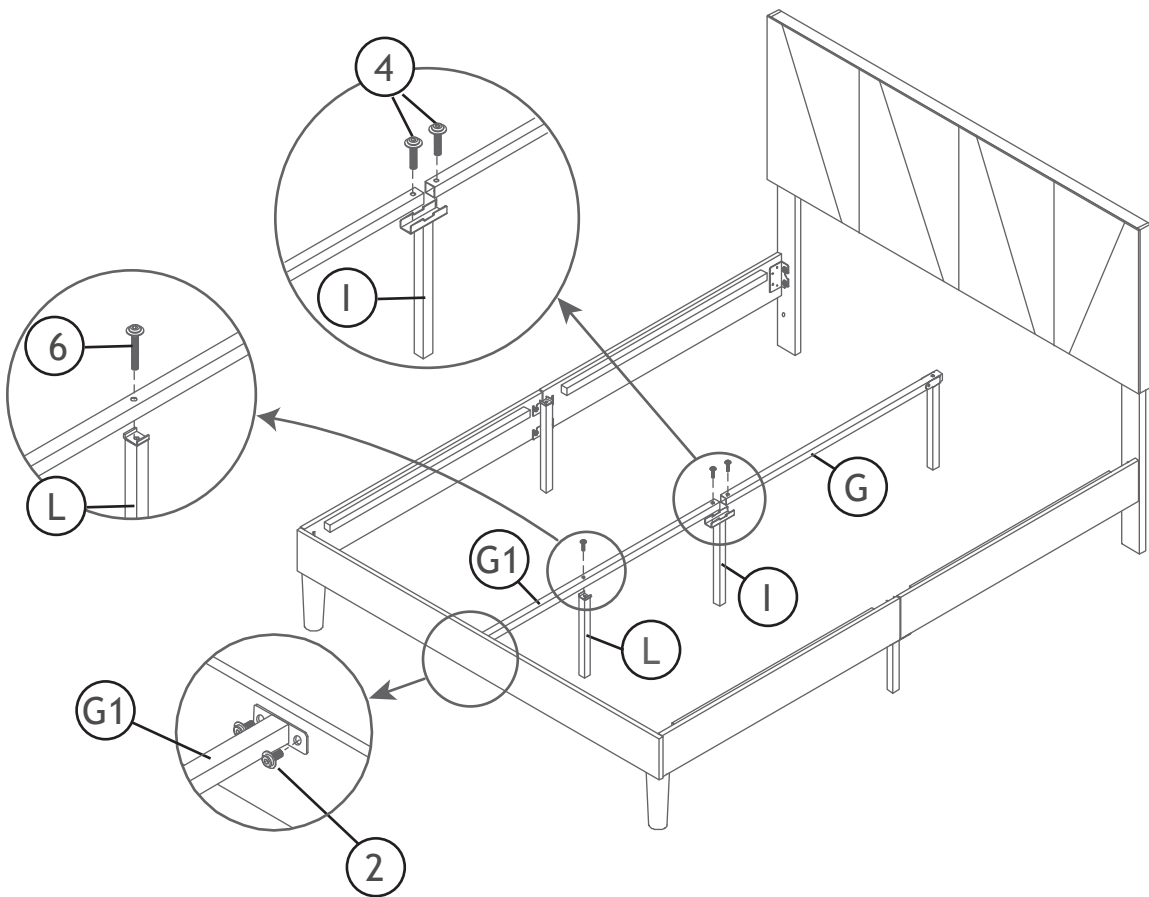


6

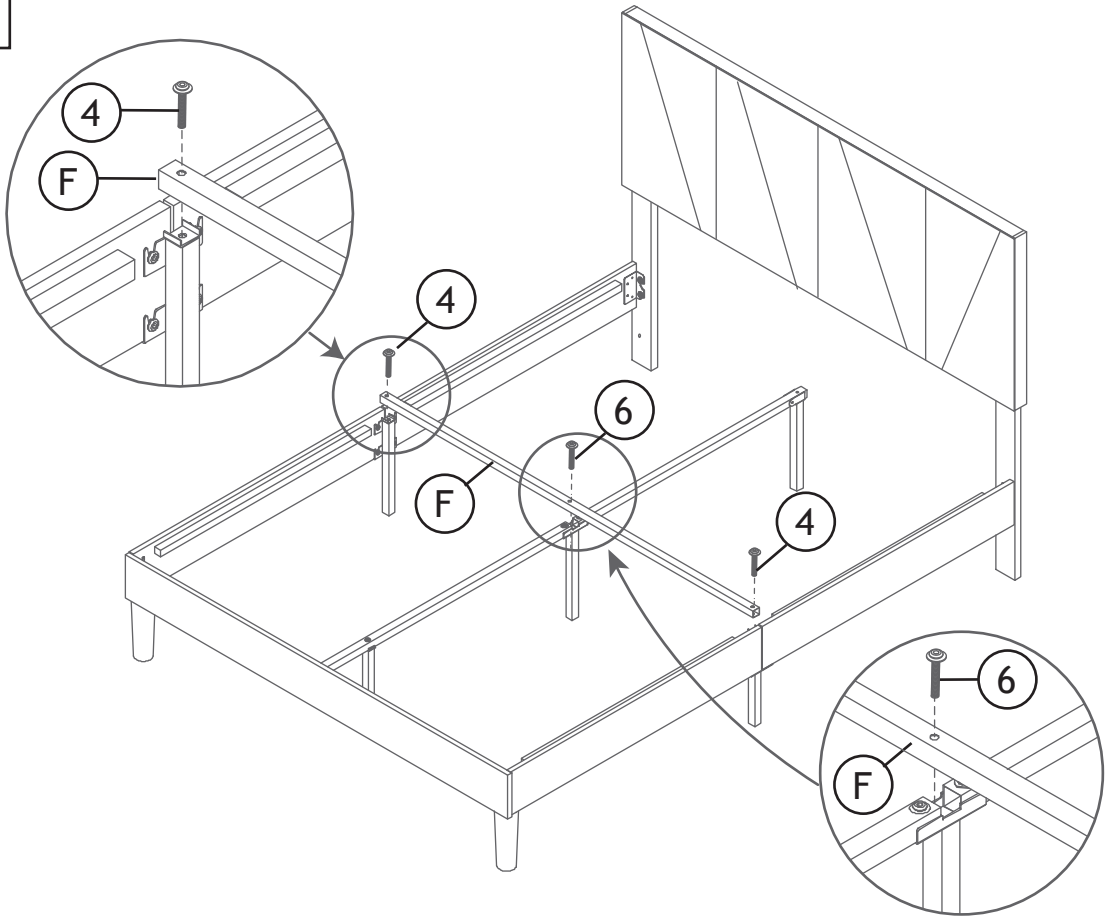
6



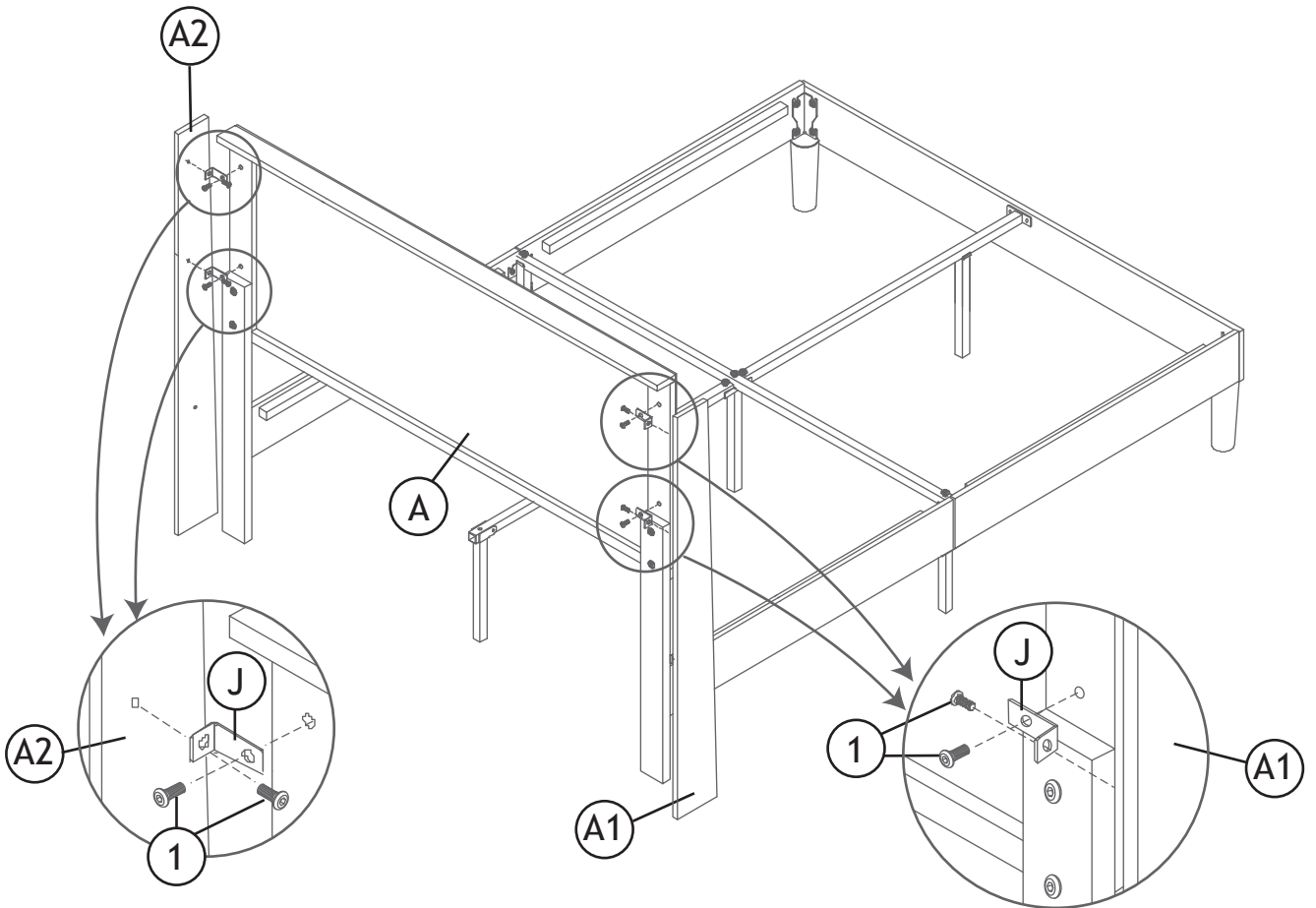
7



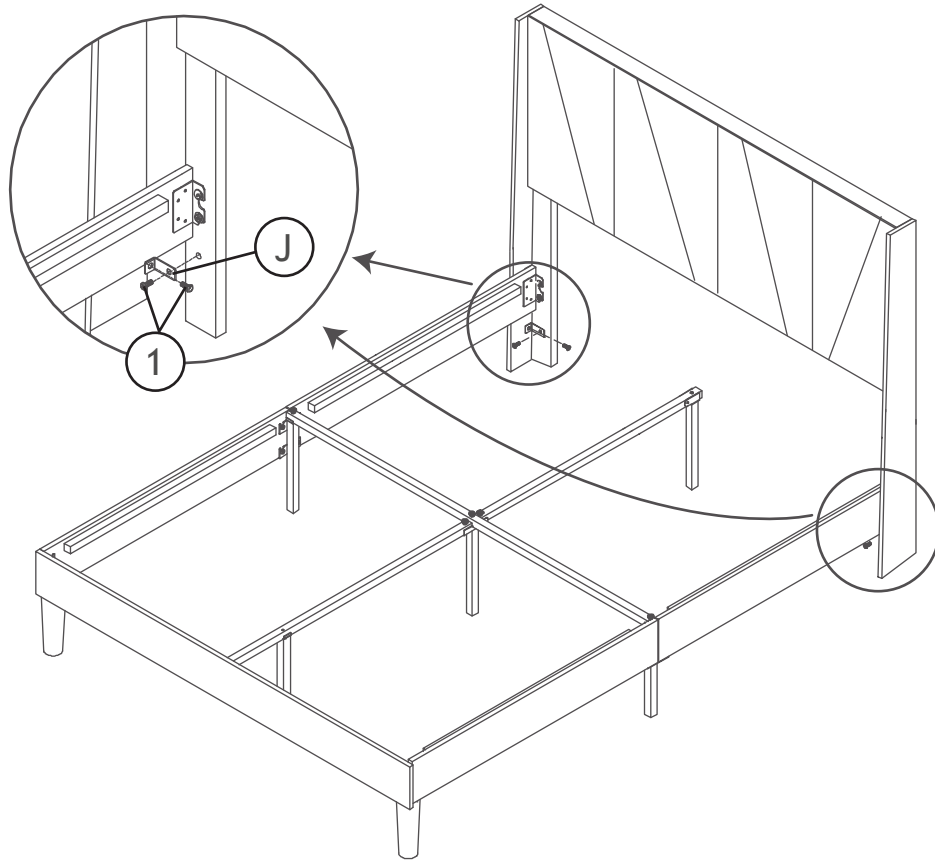
8



9



10



11

