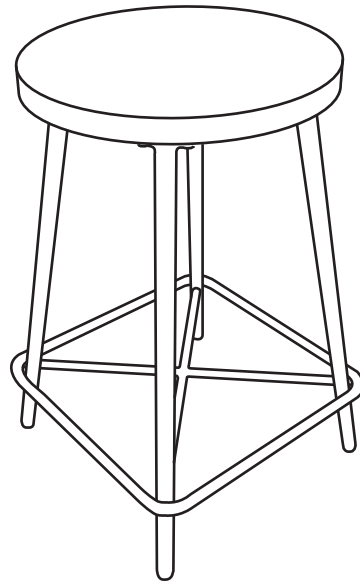
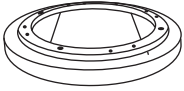
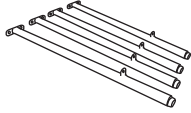








## Assembly Instructions COUNTER STOOL

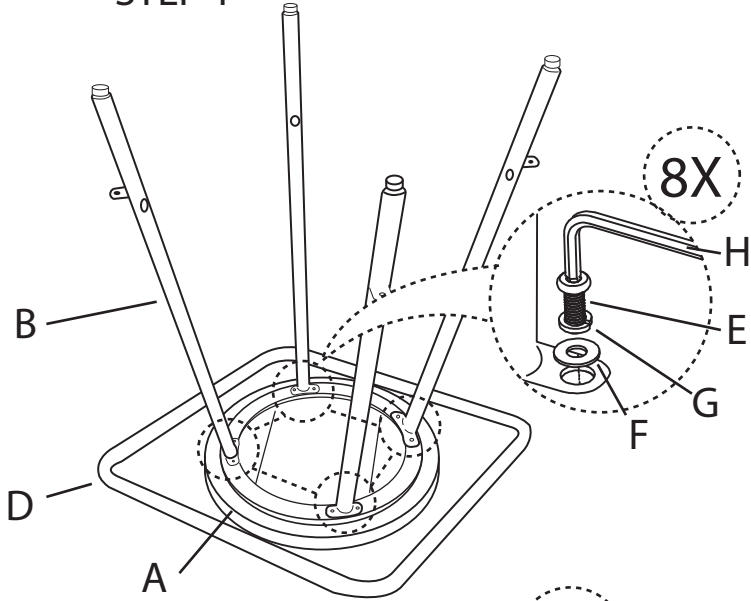


Thank you for purchasing a Forge Company product. This product has been designed for easy assembly and is constructed for durability. Please take the time to read and follow the assembly instructions carefully. If a part or hardware is missing or you have any difficulties in assembling this product, please contact us.

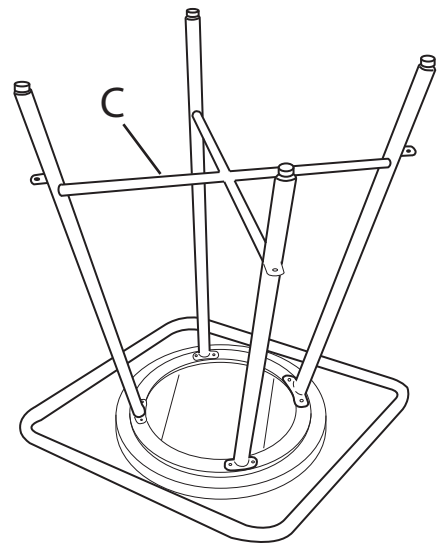
NO.	PARTS	DESCRIPTION	Q'TY	NO.	PARTS	DESCRIPTION	Q'TY
<b>A</b>		Seat	1PC	<b>B</b>		Leg	4PCS
<b>C</b>		Cross-Bar	1PC	<b>D</b>		Footrest	1PC
<b>E</b>		Allen Head Bolt M6 x 12	12PCS	<b>F</b>		Flat Washer	12PCS
<b>G</b>		Spring Washer	12PCS	<b>H</b>		Allen Head Wrench 4MM	1PC

Assembly Instructions  
COUNTER STOOL

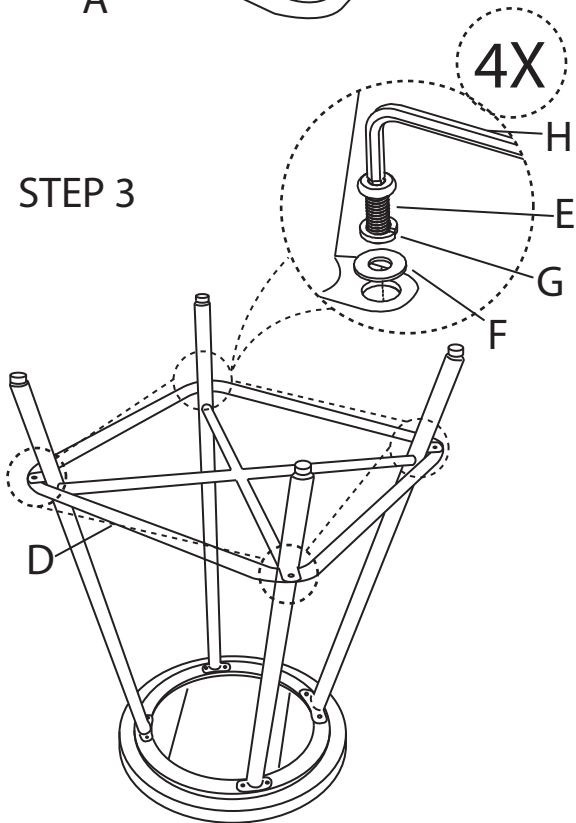
STEP 1



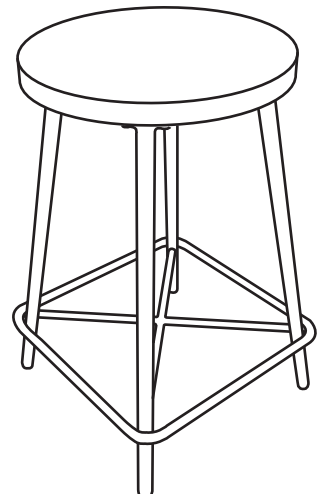
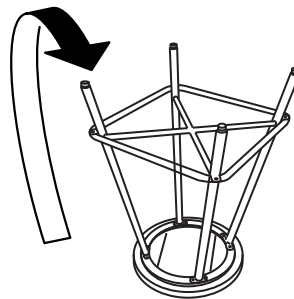
STEP 2



STEP 3



STEP 4



Please Note:  
Do not tighten screws  
completely until stool is  
fully assembled.