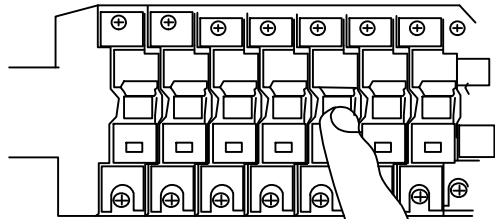


# Installation

1



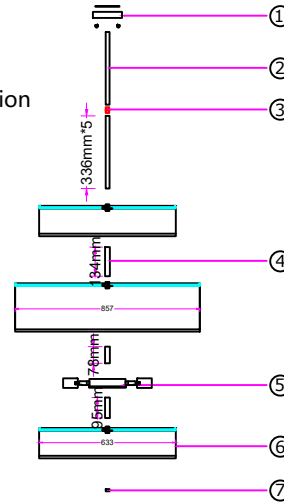
**OFF**

## STEPS

Turn off the power

2

- ① Ceiling pan
- ② boom
- ③ boom connector
- ④ connecting pipe
- ⑤ E12 lamp holder combination
- ⑥ Cotton thread lampshade
- ⑦ Round nut

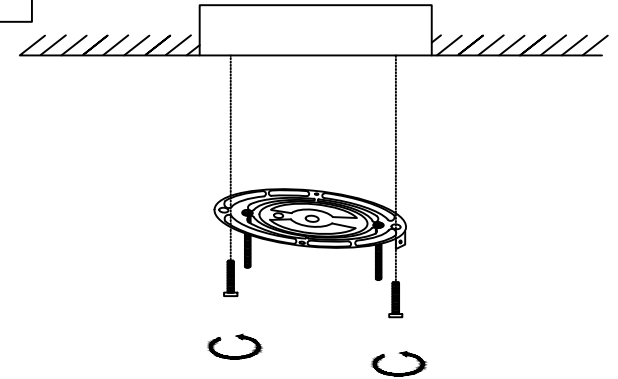


## STEP

First connect the lampshade layer by layer with the connecting pipe, and then connect the lamp body with the ceiling plate with the boom.

And then proceed to the next step, as shown in Figure 3

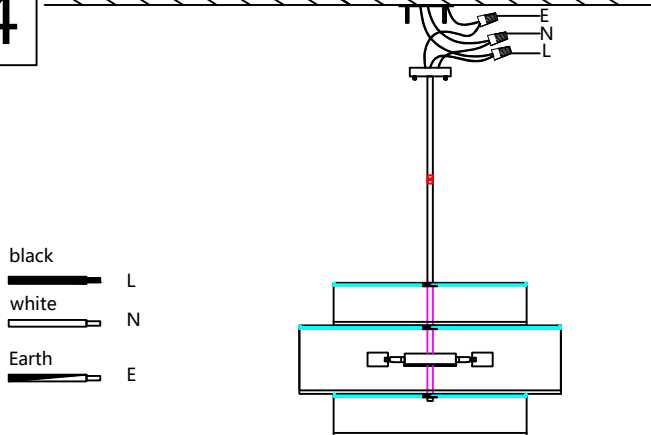
3



## STEP

Install the hanging board on the ceiling, and then proceed to the next step, as shown in Figure 4

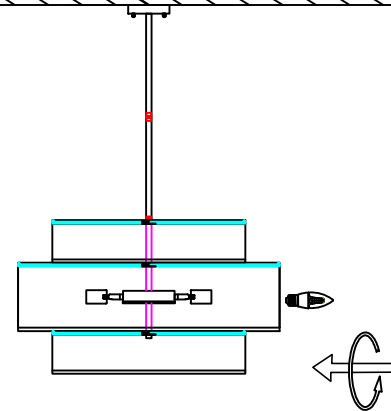
4



## STEPS

1. Connect the power wire of lamp body to the reserved Power cable, pay attention to the positive and negative poles
2. Fix the lamp body on the ceiling with nuts

5



## STEPS

1. Finally, install the E12 light source.

## Caution:

Advertencia:

1. Voltage: 110V-130V
2. Bulb Model: E12 / MAX-60W
3. Before installation, please check whether the accessories are complete, if you have any problem, please contact our customer service in time
4. Before installation, please cut off the power supply to prevent electric shock.
5. Please be sure the installation according to the company's instructions.



Screw



Wire connector



Instruction