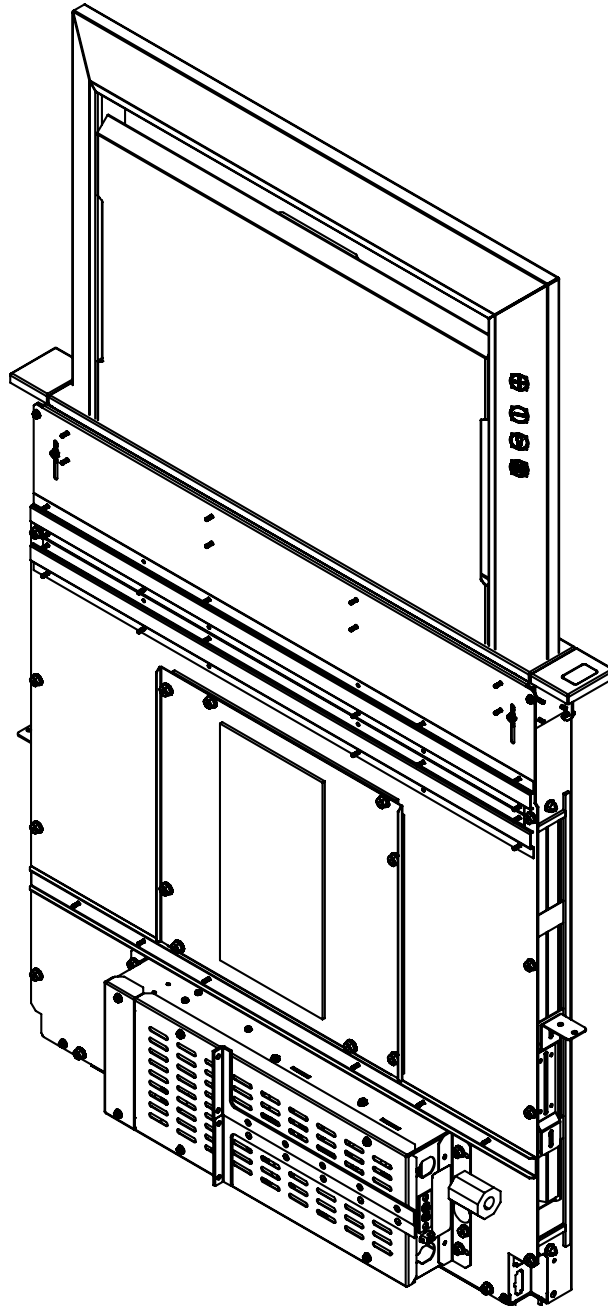


Downdraft Hood

For use with these blowers
(purchase blowers separately):
Model DBI-600A - Internal
Models CBE-1000 - External
Models PBN-1000A - In-Line



APR19.0101

Français p. 35

Español p. 69

READ AND SAVE THESE INSTRUCTIONS

Register your product online at: www.zephyronline.com

Safety Information	3
Contents	4
Specifications	4
Tools Needed	4
Planning	
Before You Begin	5
Taking Measurements.....	5
Ducting Configurations	5
Cabinet Cutouts	10
Preparing the Downdraft	
Side or Rear Ducting.....	12
Front Ducting.....	12
Electrical Panel in Remote Location	13
Final Assembly.....	13
Installation	
Cutting Countertop Opening.....	14
Install Housing into Cabinet.....	15
Install Finishing Trim	16
Installing Ductwork.....	16
Electrical Wiring Installation	
Internal Blower Only	17
Exterior or In-Line Blower Only	18
Appliance Installation/Operation	19
Use and Care	20
Optional Accessories	21
Blower Duct Routing Configurations A - H	23
Wiring Diagram	31
Dimensional Drawing	32
Warranty	33



TO REDUCE THE RISK OF FIRE, ELECTRIC SHOCK, OR INJURY TO PERSONS, OBSERVE THE FOLLOWING:

1. Use this unit only in the manner intended by the manufacturer. If you have questions, contact the manufacturer at the address or telephone number on the back page.
2. Before servicing or cleaning unit, switch power off at service panel and lock the service disconnecting means to prevent power from being switched on accidentally. When the service disconnecting means cannot be locked, securely fasten a prominent warning device, such as a tag, to the service panel.
3. Installation work and electrical wiring must be done by a qualified person(s) in accordance with all applicable codes and standards, including fire-rated construction codes and standards.
4. Sufficient air is needed for proper combustion and exhausting of gases through the flue (chimney) of fuel burning equipment to prevent backdrafting. Follow the heating equipment manufacturer's guideline and safety standards such as those published by the National Fire Protection Association (NFPA), and the American Society for Heating, Refrigeration and Air Conditioning Engineers (ASHRAE), and the local code authorities.
5. When cutting or drilling into wall or ceiling, do not damage electrical wiring and other hidden utilities.
6. Ducted fans must always be vented to the outdoors.
7. To reduce the risk of fire, use only metal ductwork.
8. Do not install this product with the activating switch directly behind a burner or element. Minimum distance between the switch and the edge of the burner should be 4 inches.
9. Loose-fitting or hanging clothing should never be worn when operating this appliance. They may be ignited by burners/elements on cooktop.
10. Children should not be left alone or unattended in the area where this appliance is in use.
11. This unit must be grounded.

TO REDUCE THE RISK OF A RANGE TOP GREASE FIRE:

- a) Never leave surface units unattended at high settings. Boil overs cause smoking and greasy spillovers that may ignite. Heat oils slowly on low or medium settings.
- b) Always turn hood ON when cooking at high heat or when cooking flaming foods.
- c) Clean ventilating fans frequently. Grease should not be allowed to accumulate on fan or filter.
- d) Use proper pan size. Always use cookware appropriate for the size of the surface element.



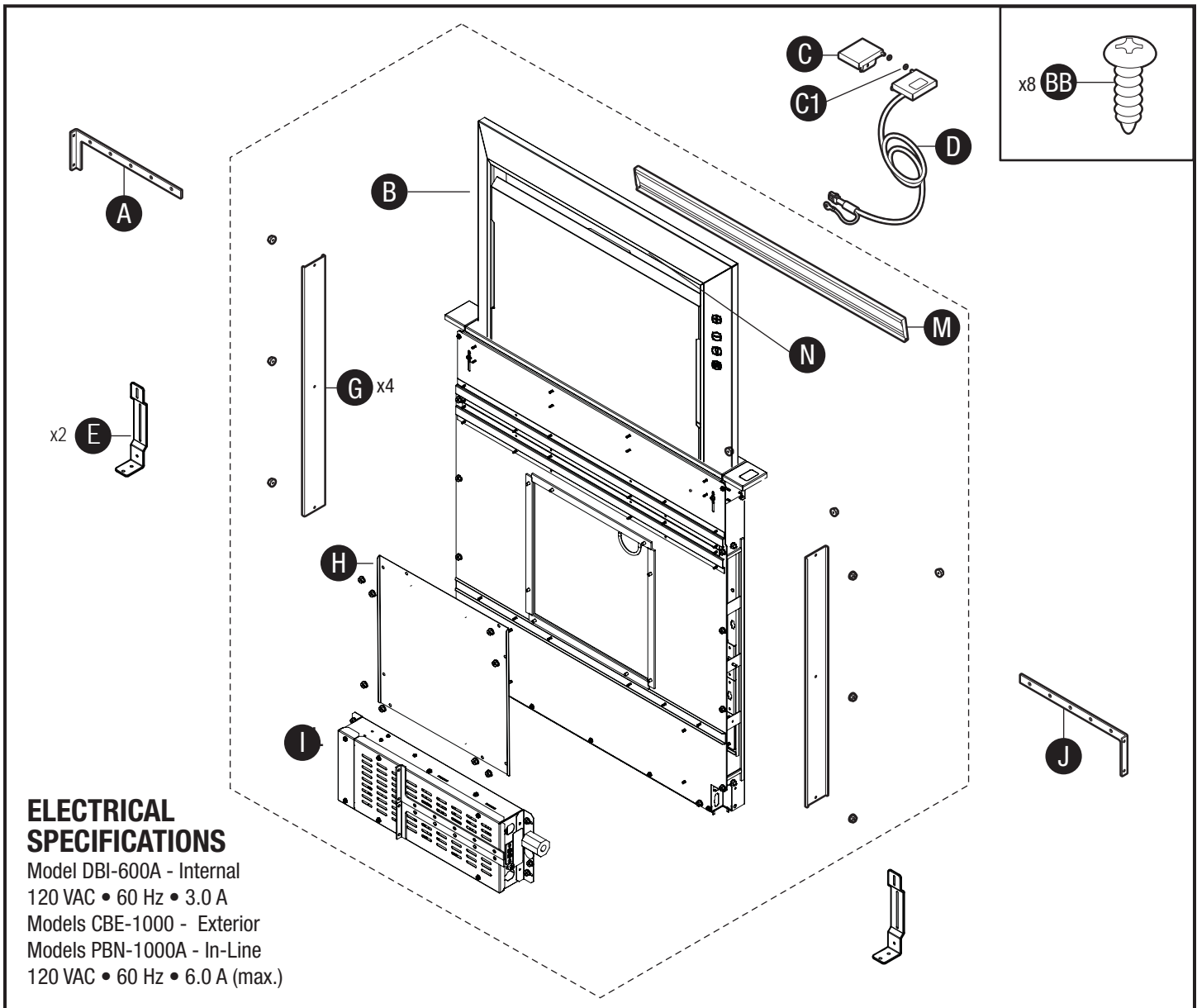
TO REDUCE THE RISK OF INJURY TO PERSONS IN THE EVENT OF A RANGE TOP GREASE FIRE, OBSERVE THE FOLLOWING:

1. SMOTHER FLAMES with a close-fitting lid, cookie sheet, or metal tray, then turn off the burner. BE CAREFUL TO PREVENT BURNS. If the flames do not go out immediately, EVACUATE AND CALL THE FIRE DEPARTMENT.
2. NEVER PICK UP A FLAMING PAN - You may be burned.
3. DO NOT USE WATER, including wet dishcloths or towels - a violent steam explosion will result.
4. Use an extinguisher ONLY if:
 - A. You know you have a Class ABC extinguisher, and you already know how to operate it.
 - B. The fire is small and contained in the area where it started.
 - C. The fire department is being called.
 - D. You can fight the fire with your back to an exit. Based on "Kitchen Fire Safety Tips" published by NFPA.



1. For indoor use only.
2. For general ventilating use only. Do not use to exhaust hazardous or explosive materials and vapors.
3. To avoid motor bearing damage and noisy and/or unbalanced impellers, keep drywall spray, construction dust, etc. off power unit.
4. Clean filters and grease-laden surfaces frequently.
5. Do not repair or replace any part of this appliance unless specifically recommended in this manual. All other servicing should be done by a qualified technician.
6. Please read specification label on product for further information and requirements.
7. To reduce the risk of fire and electric shock, install this downdraft only with blower models shown below. Other blower models cannot be substituted. (Blowers sold separately). Internal Blower Model DBI-600A, Exterior Blower Model CBE-1000, In-Line Blower Model PBN-1000A.

INSTALLER: Save this manual for Electrical Inspector and Homeowner to use.



ELECTRICAL SPECIFICATIONS

Model DBI-600A - Internal
 120 VAC • 60 Hz • 3.0 A
 Models CBE-1000 - Exterior
 Models PBN-1000A - In-Line
 120 VAC • 60 Hz • 6.0 A (max.)

Part	Description	Quantity
A	Upper support bracket (left)	1
B	Downdraft ventilator housing	1
C	End cap trim (left)	1
C1	End cap trim retaining washer	2
D	End cap trim-up button (right)	1
E	Support Leg	2
G	Discharge cover	4
H	Front panel cover	1
I	Electrical panel	1
J	Upper support bracket (right)	1

Part	Description	Quantity
M	Flip door	1
N	LED light strip	1
BB	#10 x .50 Phillips round head screw	8

Tools Needed

Measuring tape, pencil, Phillips screwdriver #2, nut drivers (11/32", 3/8", 7/16"), box-end wrench, saw, spirit-level, tin snips, work gloves, and aluminum tape. (DO NOT use insulating tape.)

Before You Begin

Due to its flexible design, this downdraft system can be used to exhaust airborne contaminants when cooking with a variety of gas or electric cooking appliances - **including cooktops, rangetops, slide-in ranges and free-standing ranges.**

It can be mounted in island, peninsula, or conventional wall locations. The blower (purchase separately) and electrical panel can be mounted to the downdraft unit, inside the cabinet, or in a convenient remote location.

This unit can be easily installed following these basic steps:

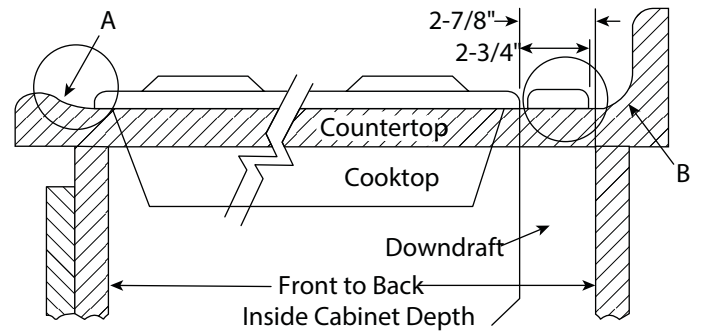
- Cut out the countertop opening.
- Mount the unit in the cabinet.
- Install the blower and electrical panel.
- Connect the ductwork and electrical.
- Install the trim.
- Install the cooking appliance.

Note: the high level of air flow of this appliance may affect the gas flame on some types of gas cooktops. This is **NORMAL** and will cause no harm, but can be corrected by lowering the speed of the blower.

Gas Cooktop Seal Kit is recommended for use with all gas cooktops. The kit creates a seal between the cooktop and the lower cabinet. Includes trim bracket and trim seal. See Optional Accessories section.

Taking Measurements

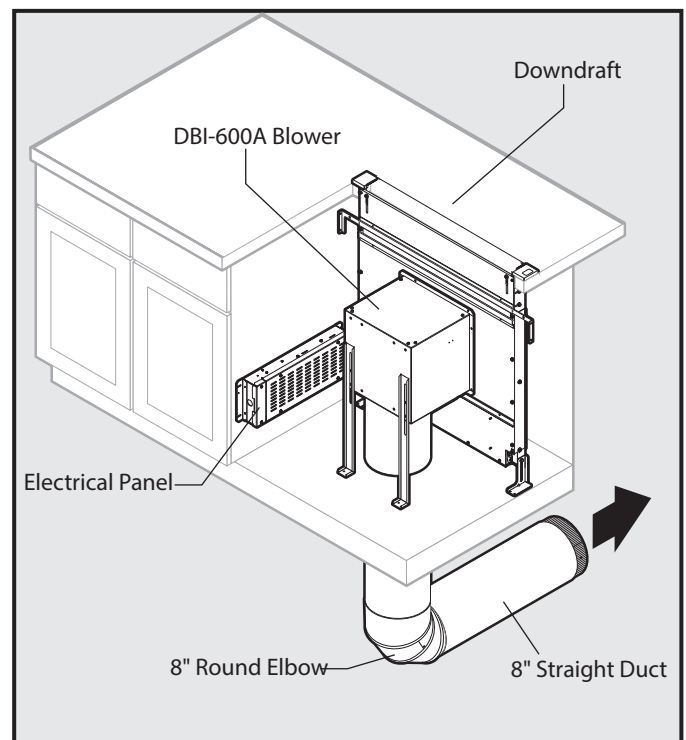
- Refer to the cooktop installation instructions for dimensions of cooktop, countertop cut-out, and cabinet requirements. However, it is recommended that oversized cabinets be used for easier installation. Custom island designs need to account for deeper cabinets - especially when installed with a range in front of the downdraft or when mounting the blower behind the downdraft. You must also plan for an access door.
- Cooktop depth can vary greatly from one to another. This may cause the fit of these two appliances to be rather tight. Pay special attention to the areas of potential interference highlighted above. A countertop with (A) a raised lip and/or (B) a backsplash may not allow enough flat countertop for a proper installation. Note that 2-3/4" of flat countertop is required behind cooktop and that 2-1/2" is necessary between the back edge of the cooktop and the inside of cabinet back.



Ducting Configurations

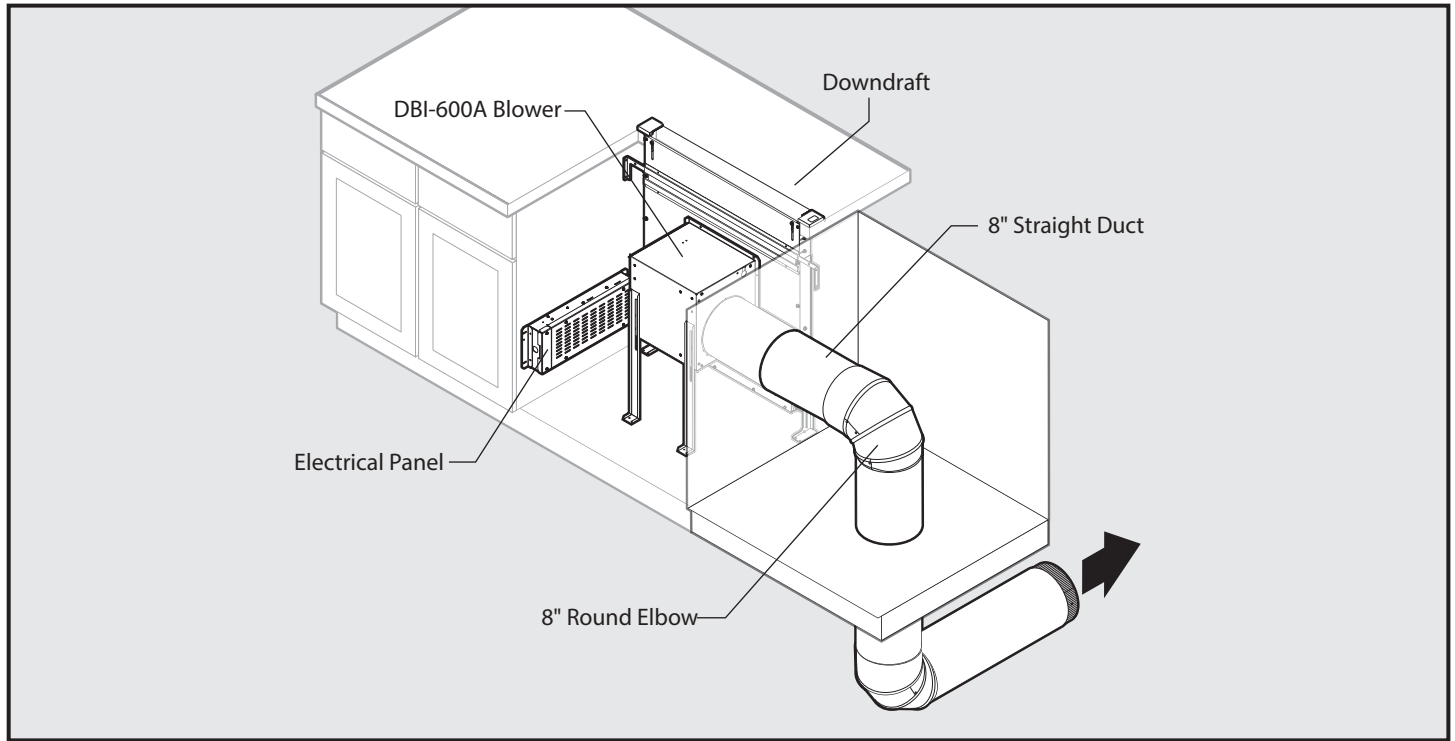
- The downdraft blower system is designed for use with 8" round ductwork using a DBI-600A blower or 10" round ductwork using a remote blower. (Purchase blowers separately.)
- For best performance: Choose the ducting option which allows the shortest length of ductwork and a minimum number of elbows and transitions. Check location of floor joists, wall studs, electrical wiring or plumbing for possible interference.

Front Exhaust with Internal Blower

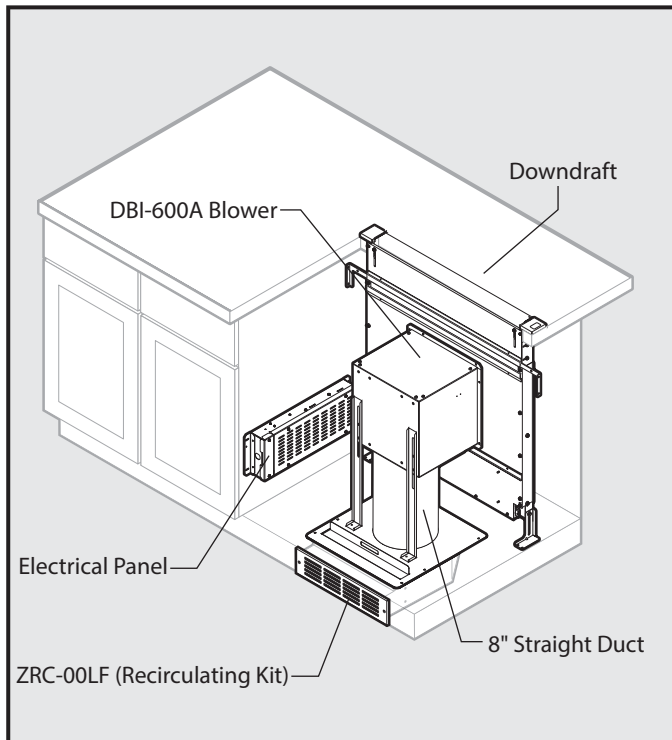


Ducting Configurations (continued)

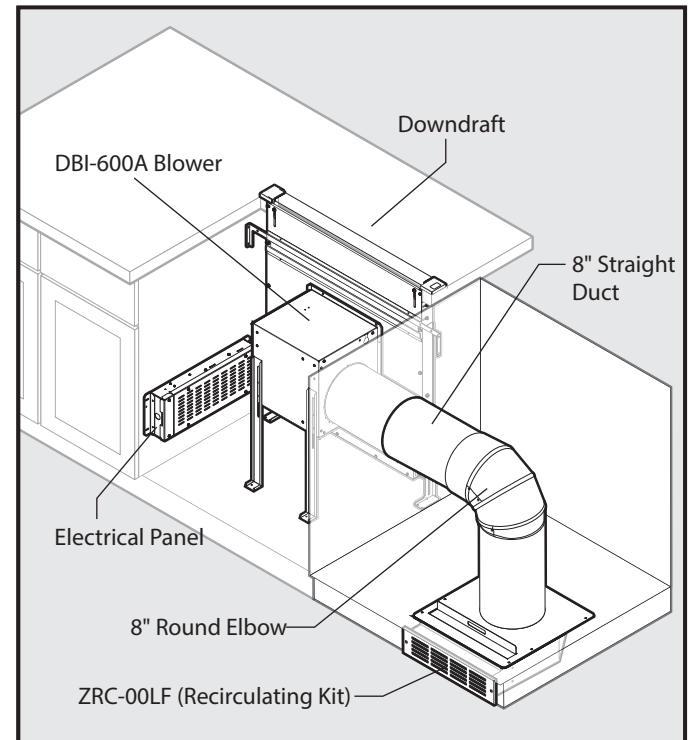
Front Exhaust with DBI-600A Blower (through cabinet)



Front Exhaust with DBI-600A Blower and Recirculating Kit



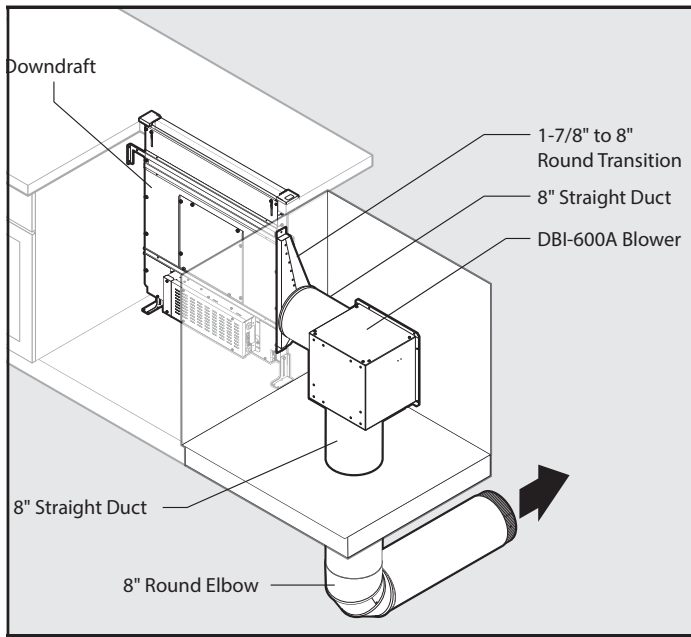
Front Exhaust with DBI-600A Blower (through cabinet) and Recirculating Kit



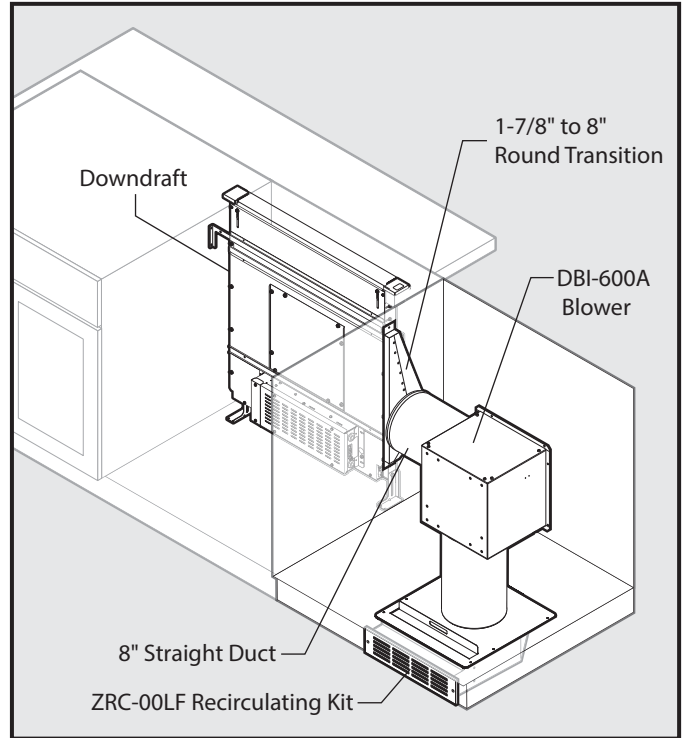
Refer to ZRC-00LF manual for further recirculating kit installation instructions .

Ducting Configurations (continued)

Side Exhaust with DBI-600A Blower

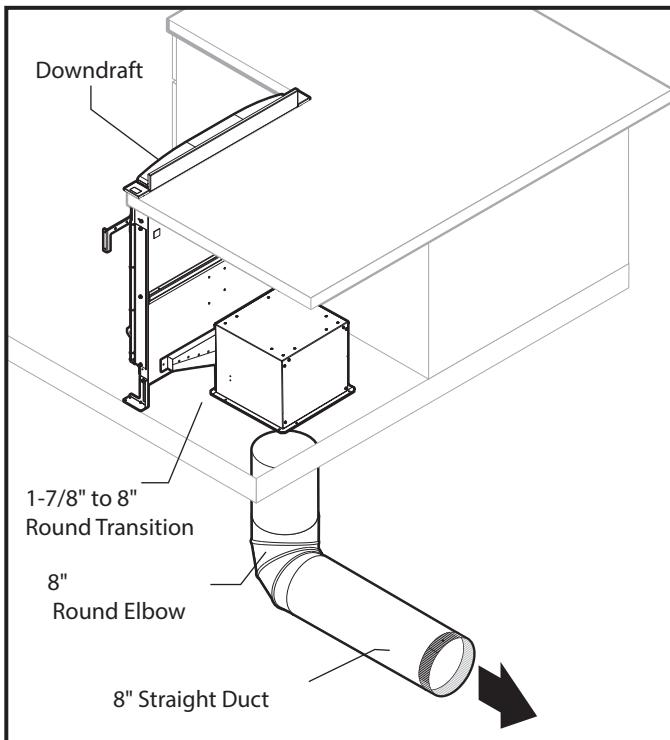


Side Exhaust with DBI-600A Blower and Recirculating Kit



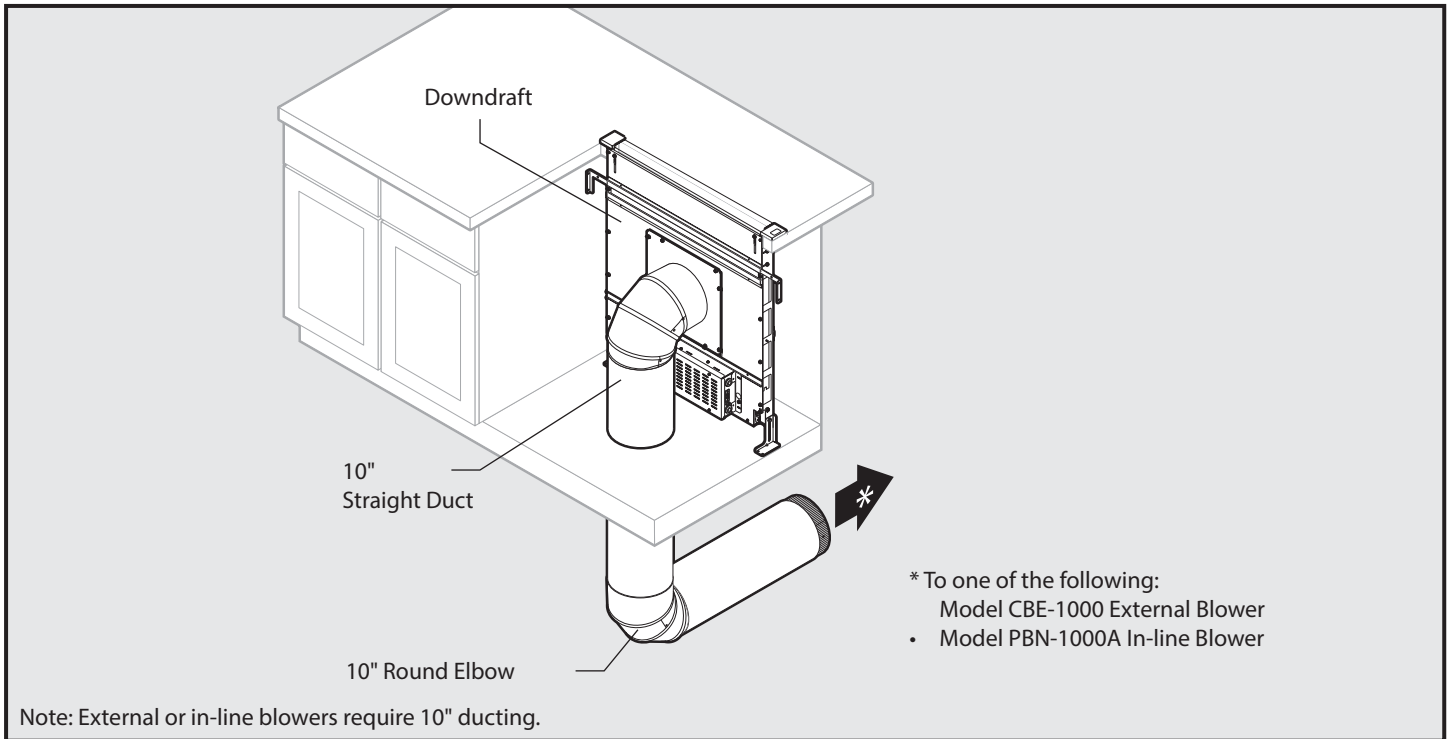
Refer to ZRC-00LF manual for further recirculating kit installation instructions .

Rear Exhaust with DBI-600A Blower

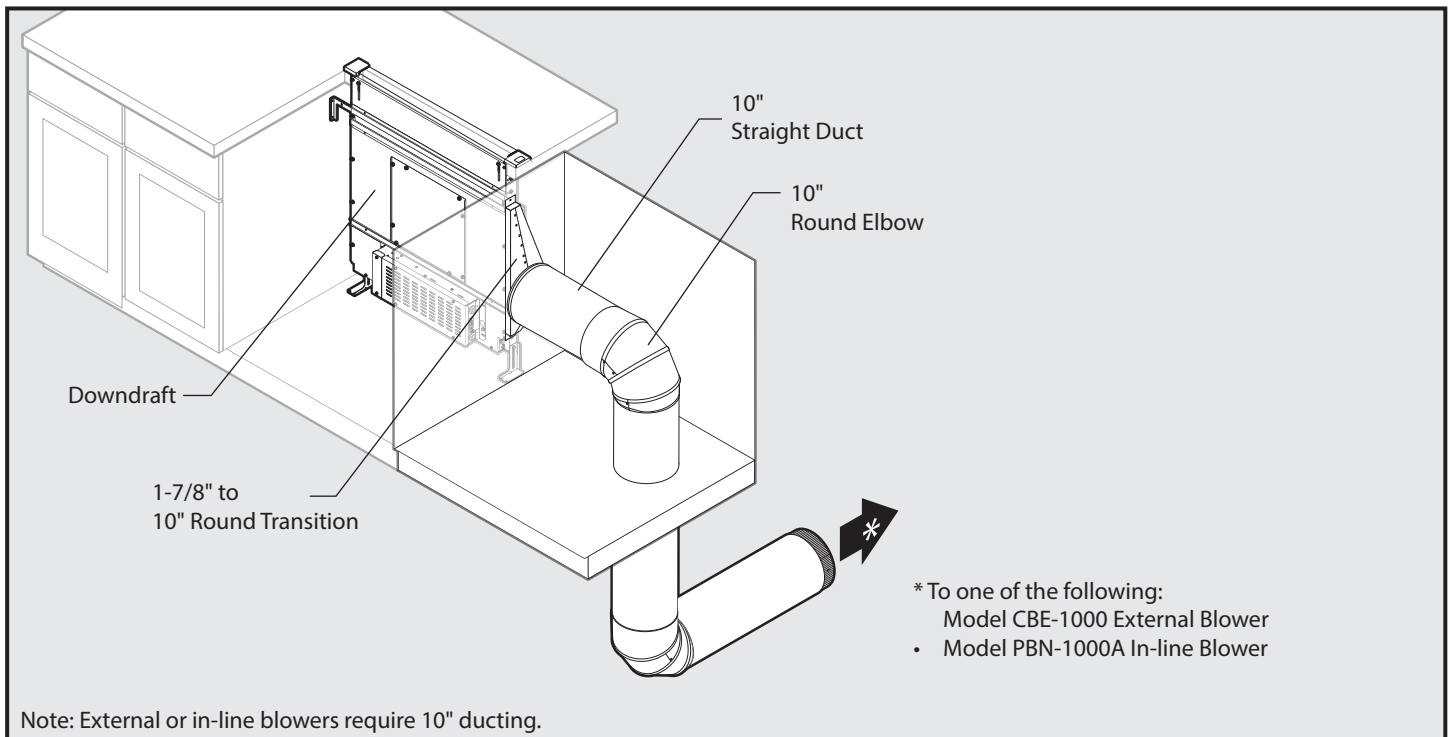


Ducting Configurations (continued)

Front Exhaust with Remote Blower

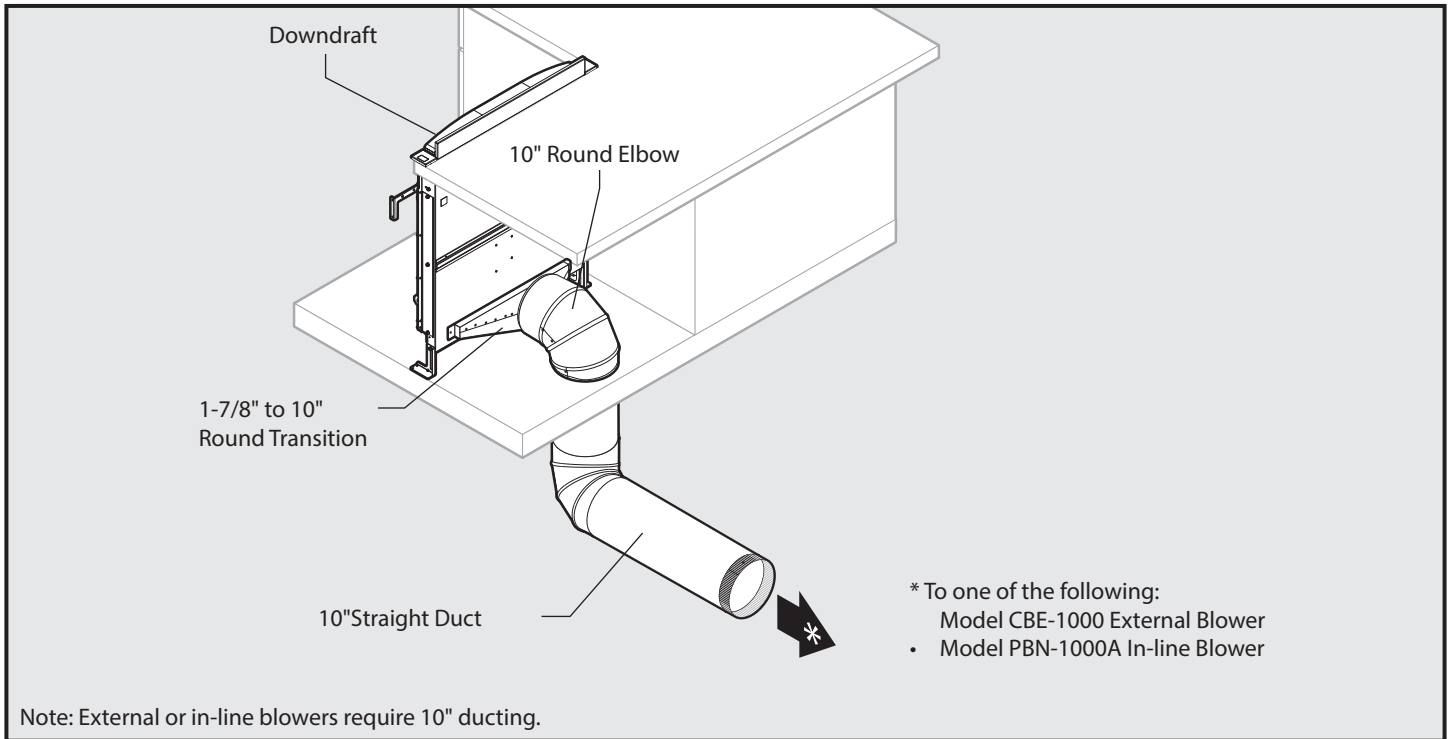


Side Exhaust with Remote Blower

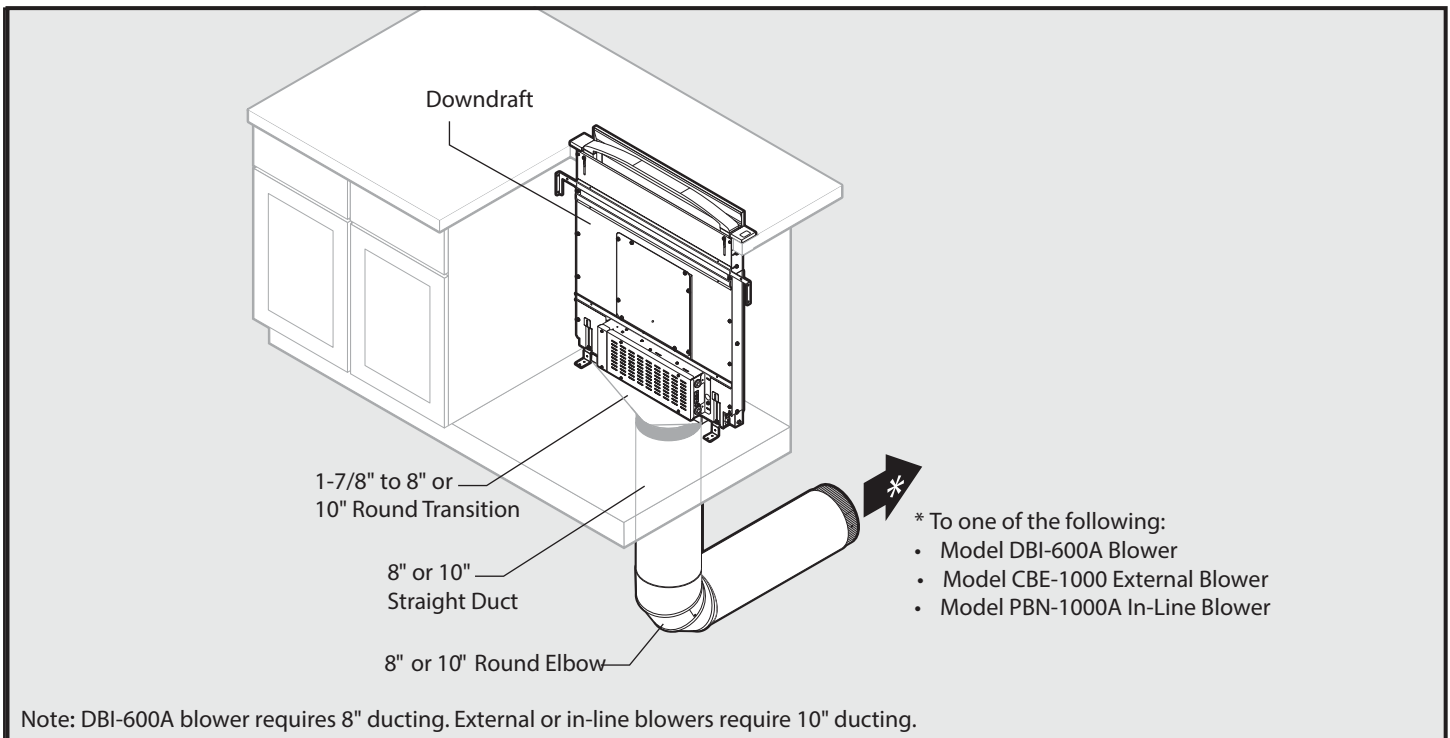


Ducting Configurations (continued)

Rear Exhaust with Remote Blower



Below Exhaust with Remote Blower



Cabinet Cutouts



CAUTION

BEFORE CUTTING HOLE IN CABINET FOR DUCTWORK, check for interference with floor joists, wall studs, electrical wiring, or plumbing.

Use the dimensions in illustrations to help plan how and where to provide duct access through your cabinet. Generally, 1-7/8" x 19" rectangular duct will be used through left, right, below and back of cabinet - while 8" round duct will be used through cabinet floor using DBI-600A blower.

For left, right, below or rear exhaust: Allow at least 18" for transition and elbow or blower.

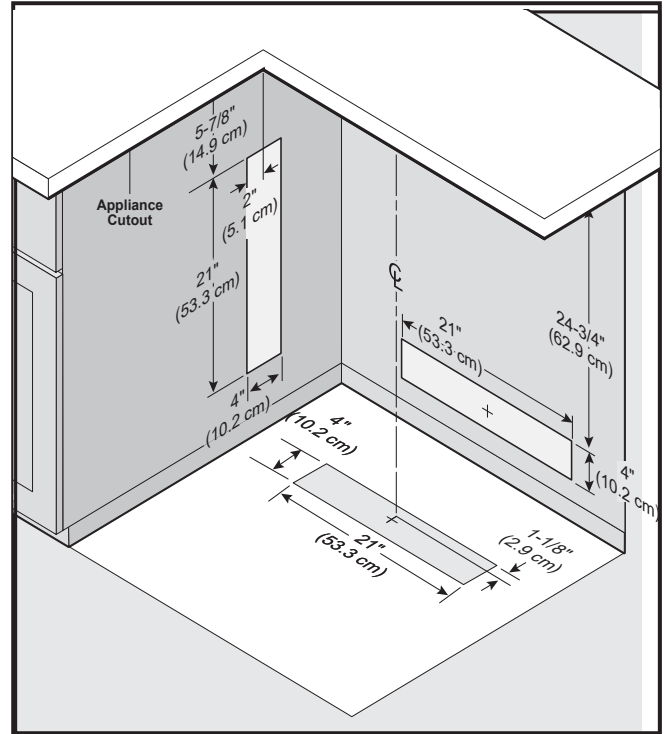
For left / right exhaust: a 30" deep cabinet is recommended to align properly with DBI-600A blower. DBI-600A blower can be mounted to rear cabinet wall or to a platform / frame (not provided) on the base of the cabinet floor. (See DBI-600A blower instructions).

Note: DBI-600A blower can only attach to the front of the down-draft.

Cabinet depths of 24" to 30" are required - depending on the type of cooking appliance.

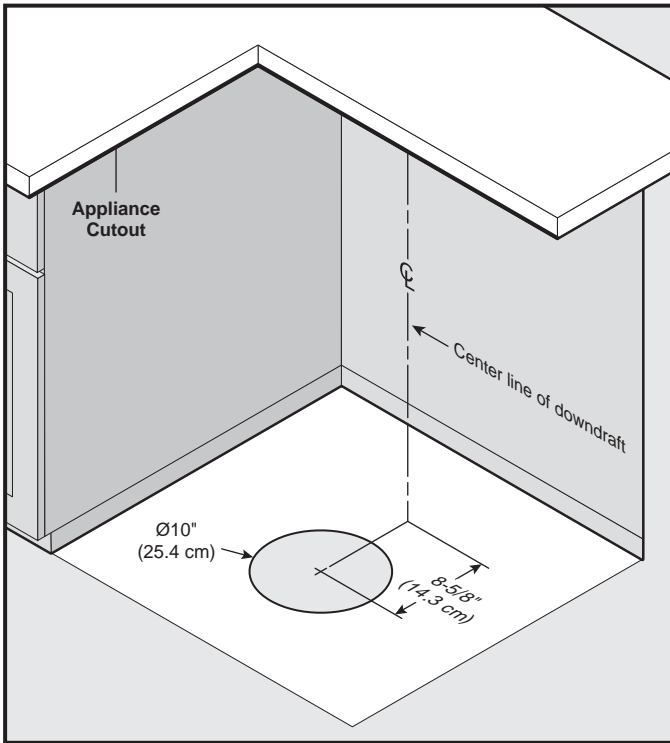
If using a Recirculating Kit, see "Plan the installation" section of the installation instructions packaged with the kit.

Below, Side or Rear Ducting Cutouts



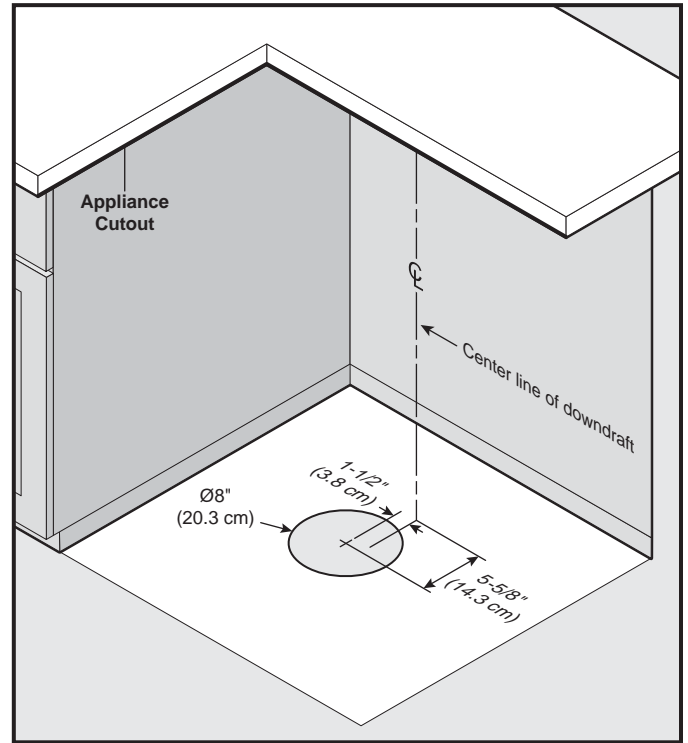
Cabinet Cutouts (continued)

10" External or In-line Blower Ducting Cutout

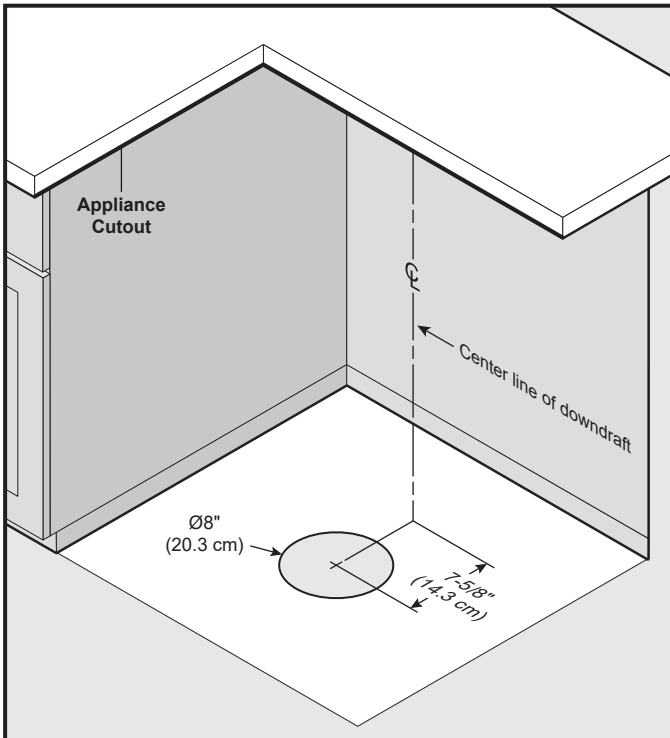


Dimensions based off of - 10" round elbow

DBI-600A Blower Ducting Cutout

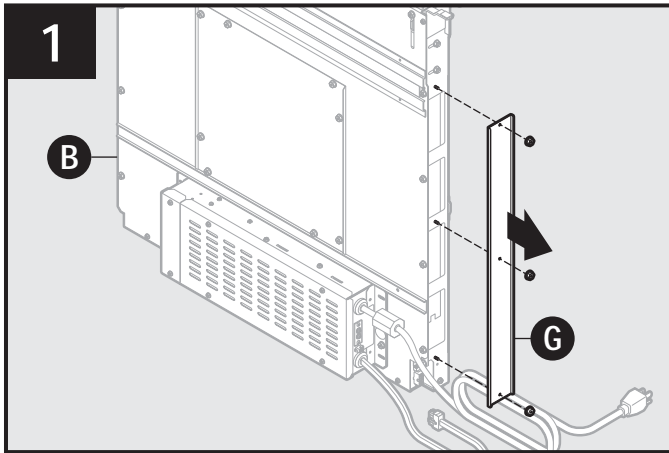


DBI-600A Blower Ducting - Remote Location Cutout

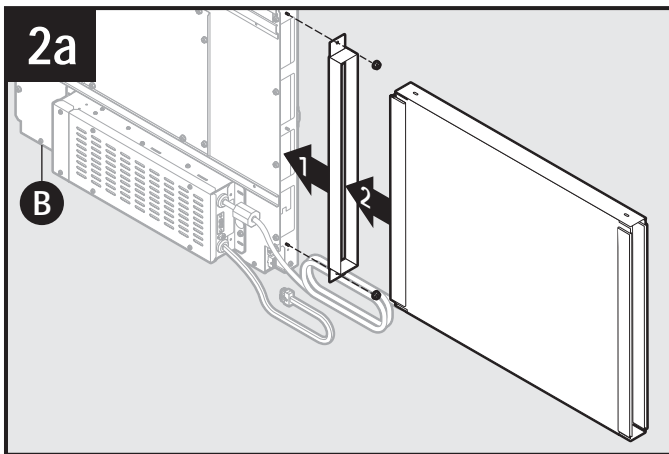


Dimensions based off of - 8" round elbow

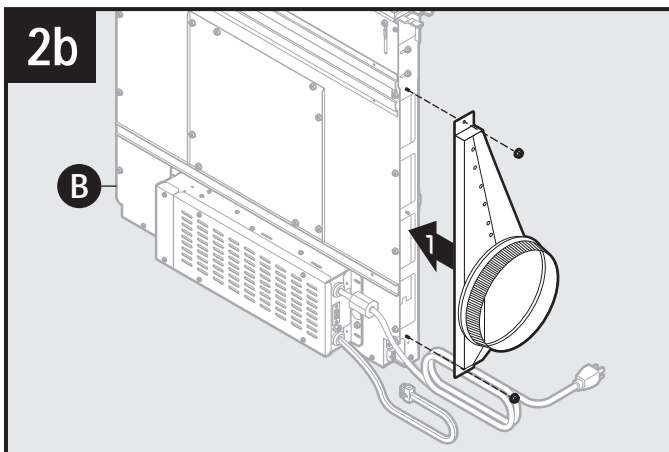
Side or Rear Ducting



Remove a discharge cover (G) from sides or rear of downdraft (B).
Note: Only remove one cover.

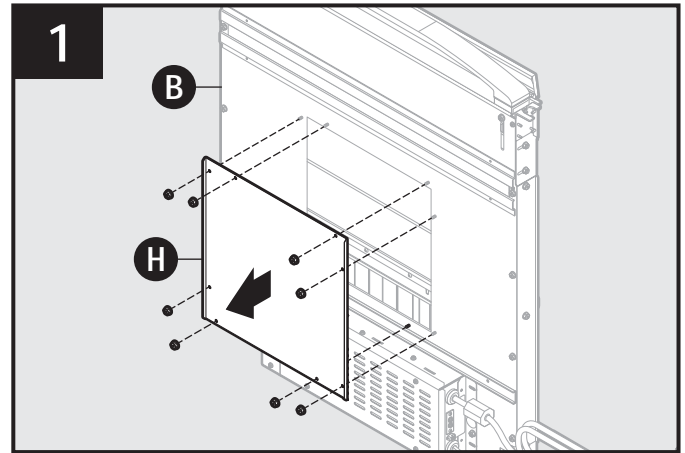


Install a transition and rectangular ductwork to downdraft (B).
(Rectangular ductwork sold separately)

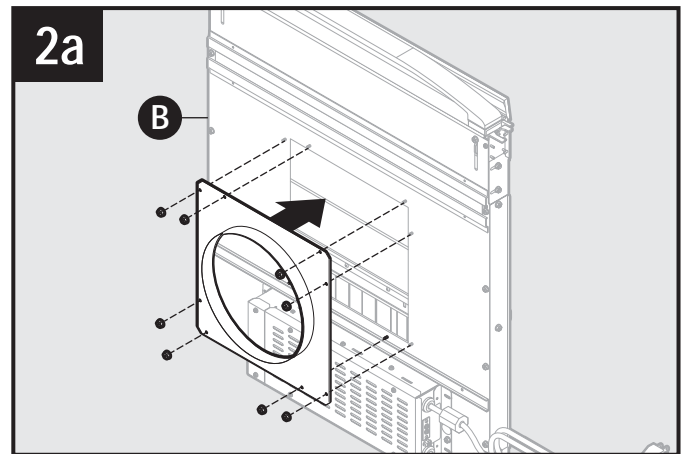


Install 1-7/8" to 8" or 10" round transition to downdraft (B).
(Rectangular to round transitions sold separately)

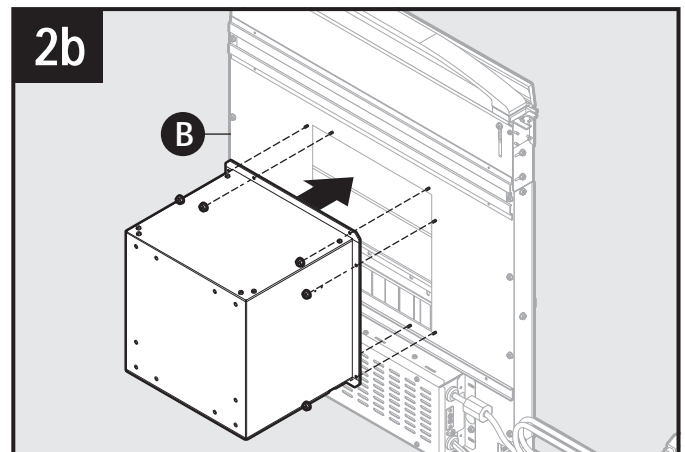
Front Ducting



Remove front panel cover (H) from downdraft (B).

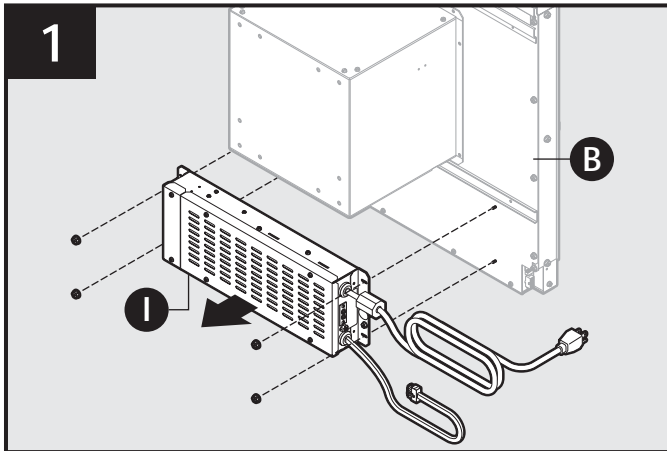


Install 8" or 10" remote discharge plate to downdraft (B).
(Remote discharge plate sold separately)



Install the DBI-600A blower to downdraft (B).
Note: DBI-600A blower can be installed with duct to left, right or downward.

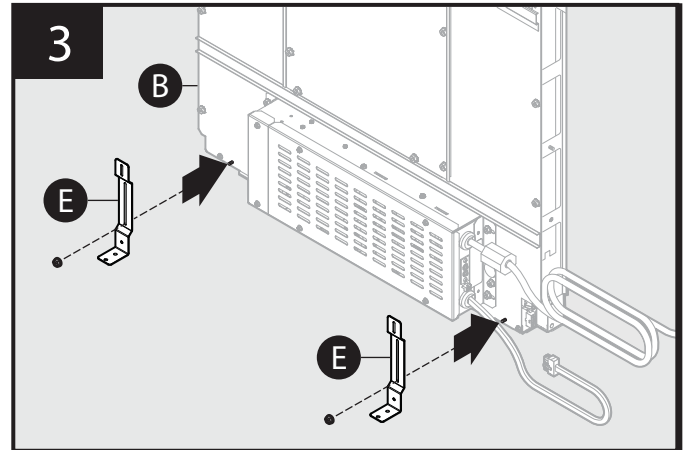
Electrical Panel in Remote Location



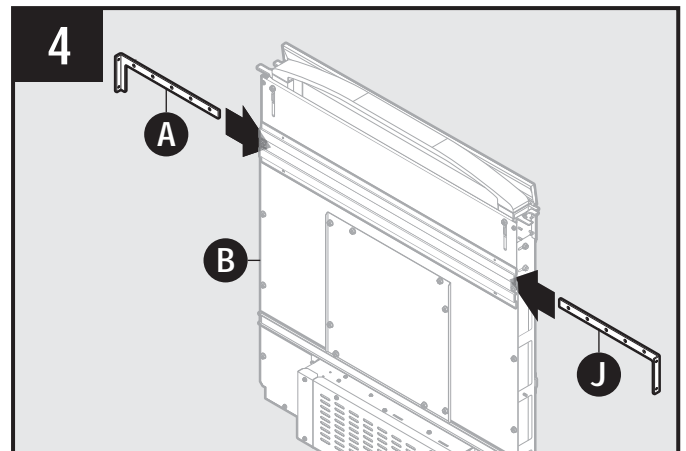
Remove electrical panel (I) from downdraft (B). Electrical panel connector cable length is 2 feet. Optional 5 foot cable extension available.
Note: Option for most installations. Required for DBI-600A blower installations when discharge is down.



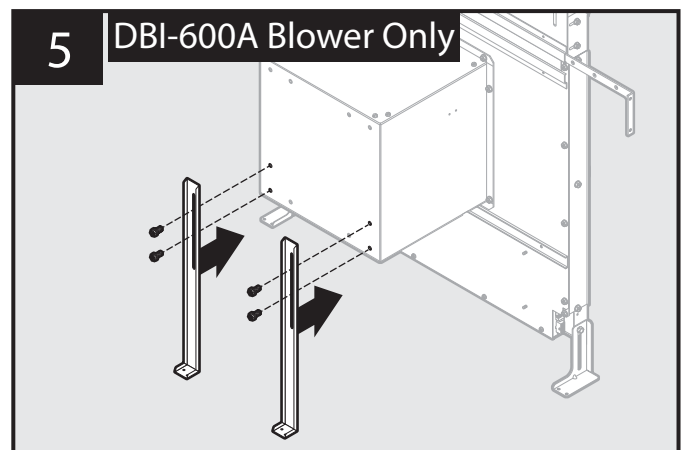
Final Assembly



Attach previously removed lower support legs (E) to downdraft (B) using one nut for each leg.

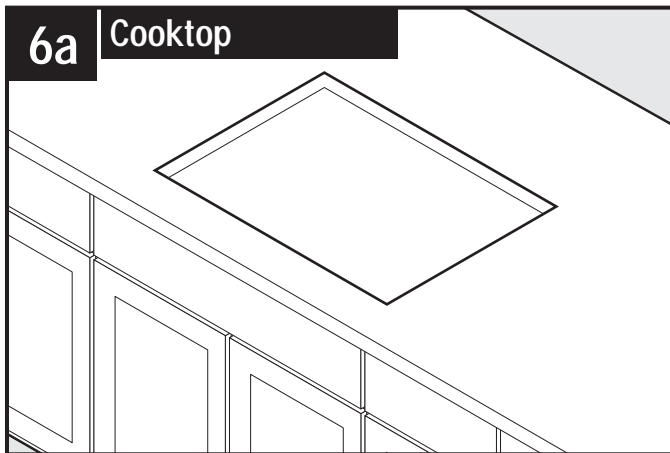


Slide upper support brackets (A,J) into side channels of downdraft (B).

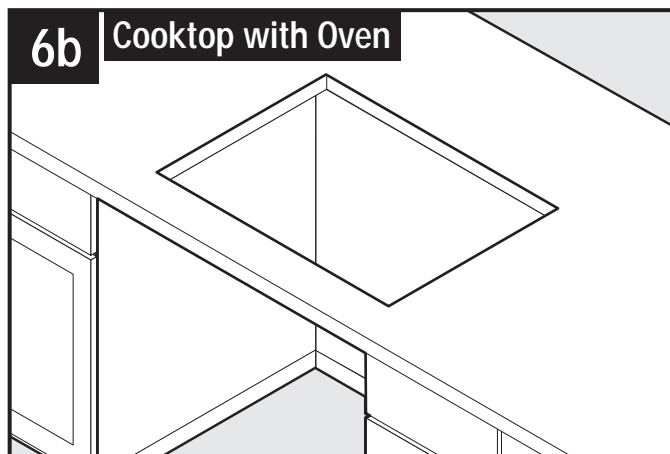


If using DBI-600A blower, attach blower support legs with supplied screws.

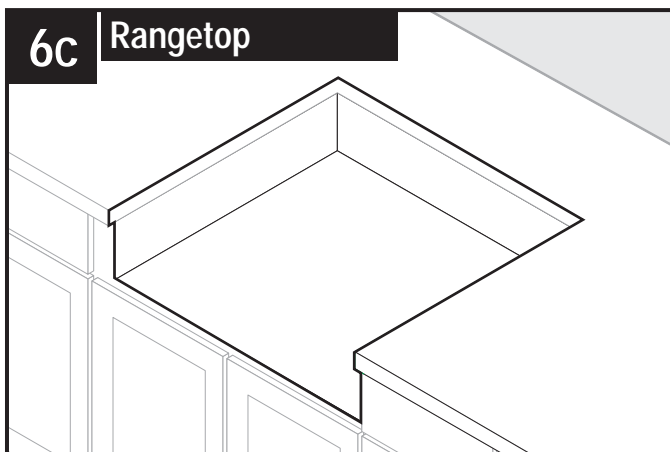
Cutting Counter Top Opening



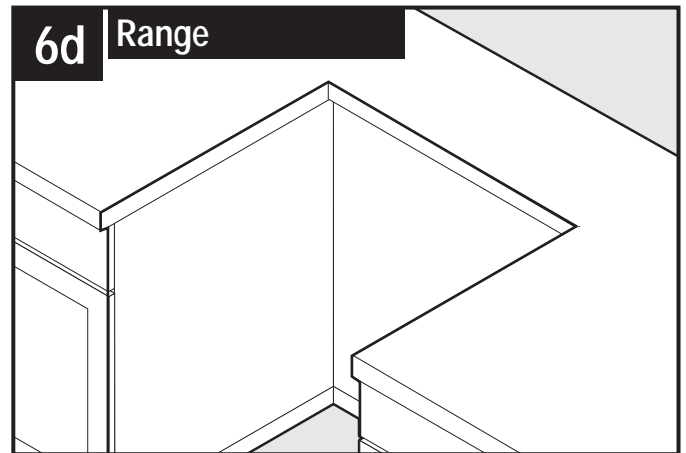
6a Cooktop
Gas Cooktop seal kit is recommended if installing a gas cooktop. See Optional Accessory page for more information.



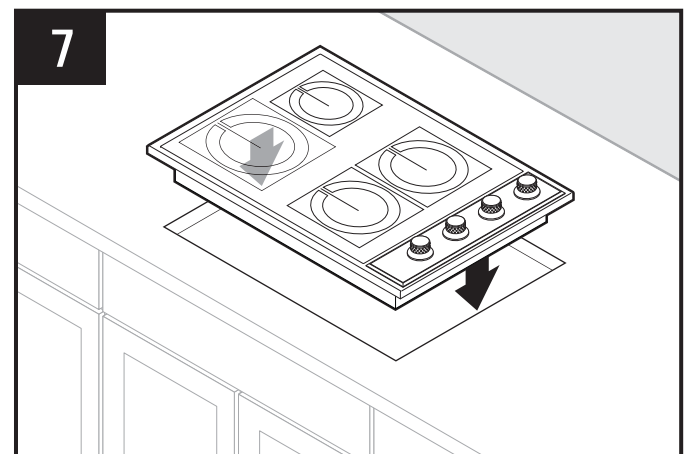
6b Cooktop with Oven
Gas Cooktop seal kit is recommended if installing a gas cooktop. See Optional Accessory page for more information.



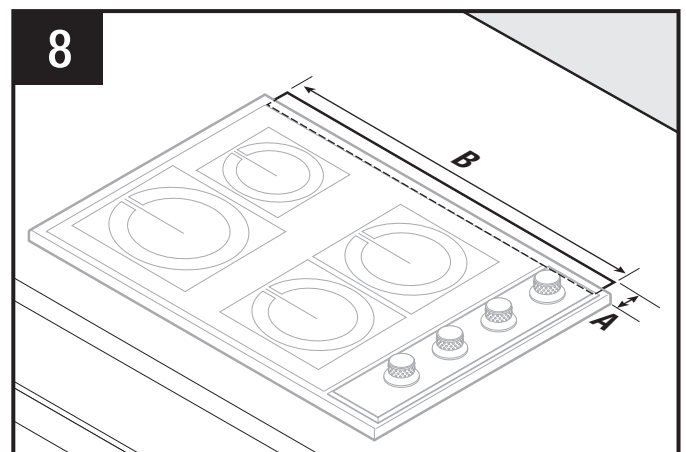
6c Rangetop
Gas Cooktop seal kit is recommended if installing a gas cooktop. See Optional Accessory page for more information.



6d Range
Range trim kit may be required. See Optional Accessory page for more information.

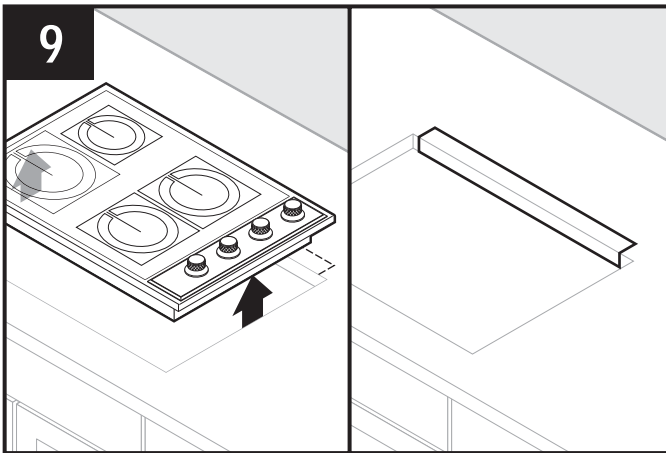


Place appliance.
Note: Cook top shown.



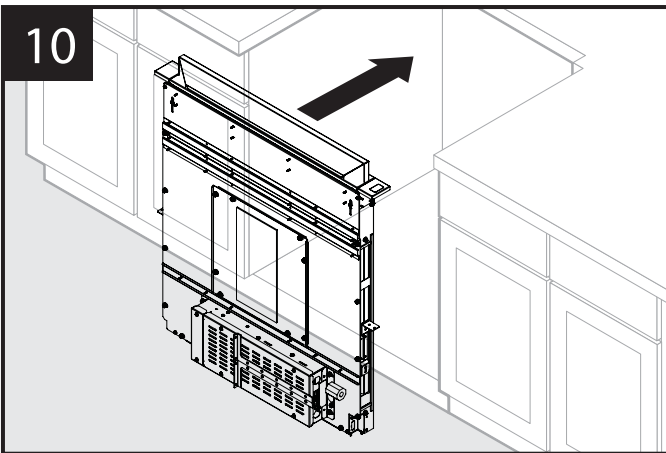
Center template against the back flange and mark downdraft opening.
A = 1-7/8" B = 27-1/4" DLI-E30ASX, 33-1/4" DLI-E36ASX

Cutting Counter Top Opening (continued)

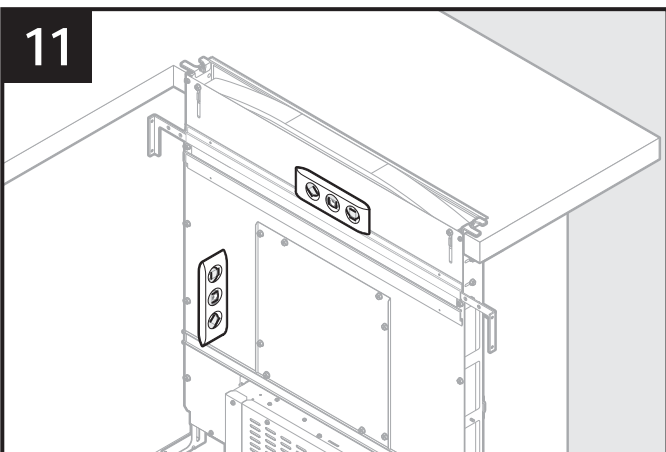


Remove cook top/appliance and cut opening.

Install Housing into Cabinet



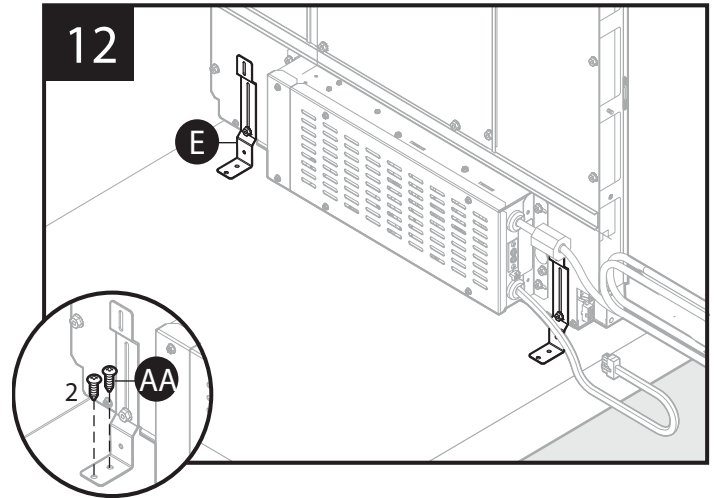
Set housing into cabinet.



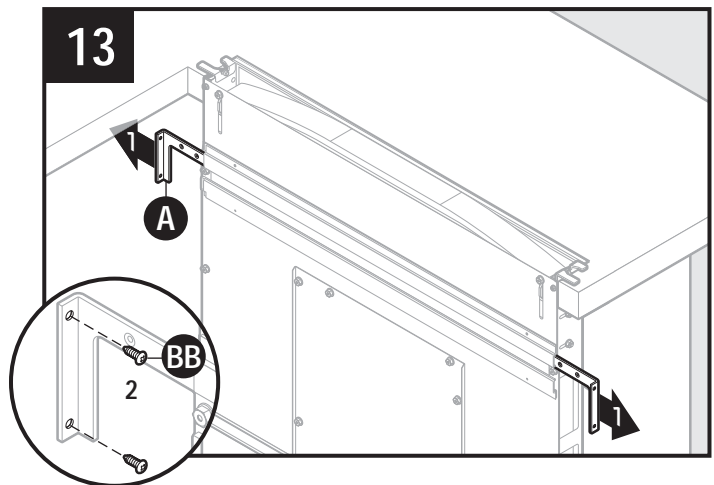
Level housing.

Note: Steps 11-15, right cabinet not shown for clarity.

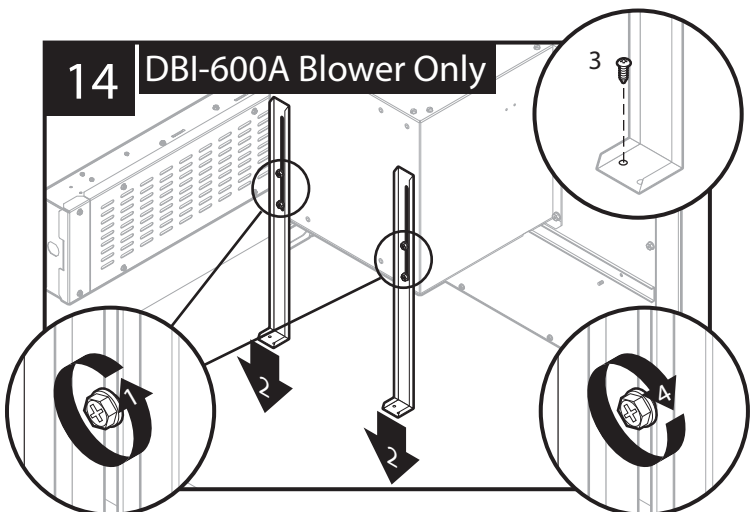
Install Housing into Cabinet (continued)



Attach support legs (E) to bottom of cabinet with two screws (AA) per leg. Tighten hex screws. Note: If cabinet bottom is removed, use blocks as spacers between floor and support legs.

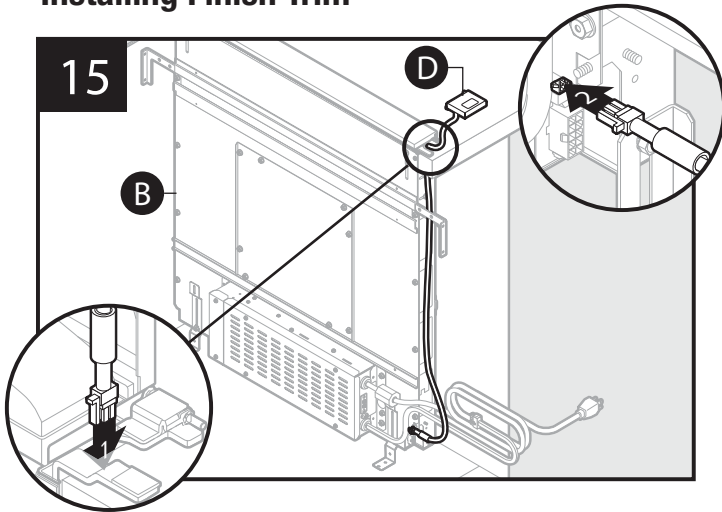


Extend upper support brackets (A) and attached to sides of cabinet with two screws (BB) per bracket.



Loosen four screws attaching blower support legs to DBI-600A blower. Extend legs and secure to bottom of cabinet with one screw through each bracket. Re-tighten four blower screws.

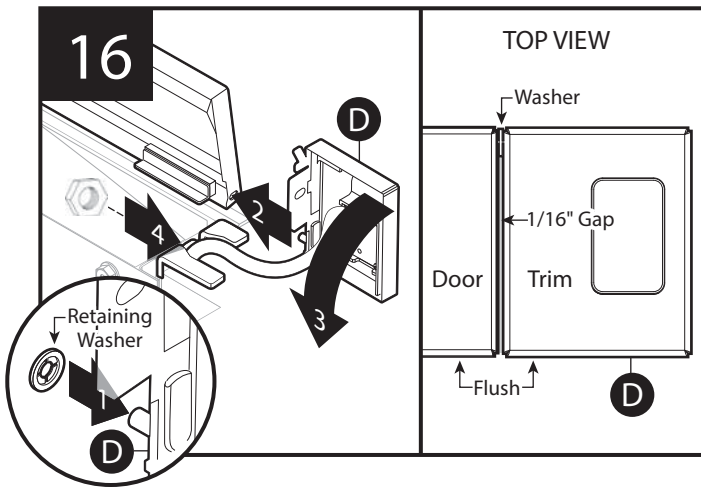
Installing Finish Trim



CAUTION

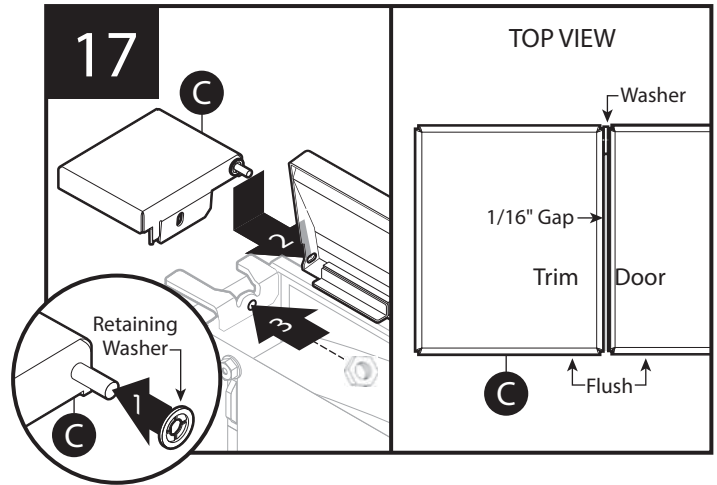
Only connect or disconnect UP BUTTON CABLE with main power off for at least 60 seconds.

Insert wiring harness with wire from right upper button (D) into opening in side of downdraft (B). Insert upper button (D) wiring harness into receptacle at lower right side of downdraft (B).



Position right trim cap (D). Place retaining washer on right trim cap. Insert hinge pin into slot of the flip door. Secure right trim cap by trim cap nut. Note: Make sure trim: sits flat on countertop surface, is flush with top door, has 1/16" GAP between trim and top door, and wiring is not pinched.

Installing Finish Trim (continued)



Place retaining washer on left trim cap (C). Insert hinge pin into slot of the flip door. Position left trim cap and flip door. Align trim caps and complete assembly by tightening trim cap nut.

Note: Make sure trim sits flat on countertop surface, is flush with top door, and has 1/16" GAP between trim and top door.

End cap trim pieces are available, extending each trim by 1". See Optional Accessory page for more information.

Installing Ductwork

CAUTION

BEFORE CUTTING HOLE IN CABINET FOR DUCTWORK, check for interference with floor joists, wall studs, electrical wiring, or plumbing.

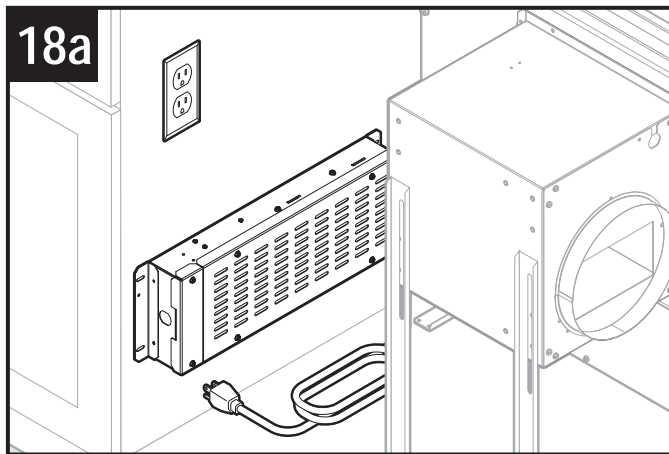
- Refer to Ductwork Configurations in the Planning section of this document.
- Cut hole in cabinet as well as holes in wall or floor as necessary.
- Mount the roof or wall cap and work back towards the cabinet, attaching all ductwork, elbows and transitions as previously planned. Tape all ductwork connections to make them secure and air tight.
- Connect ductwork (and transition, if required) to downdraft.

DBI-600A Blower only

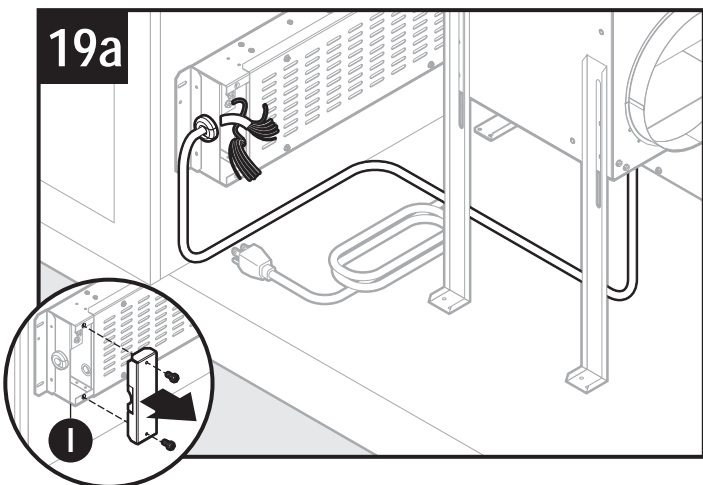
CAUTION

All electrical wiring should be done by a qualified person(s) in accordance with all applicable codes and standards.

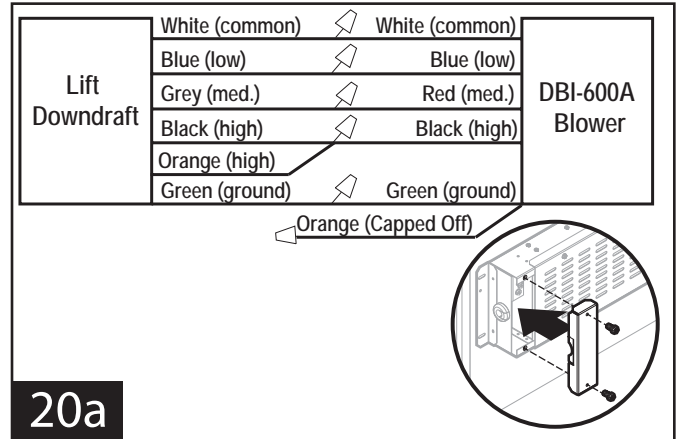
- This downdraft blower using the DBI-600A Blower (purchase separately) draws 3.0 Amps and requires a 120 VAC, 60 Hz circuit.
- The unit has a 30 in. long power cord with a 3-pronged plug attached to the electrical panel. Plan to provide a grounded outlet in a location which will allow the unit's power cord to reach.
- Install electrical box according to local codes.



Mount a standard wiring box, with 3-pronged receptacle, within reach of downdraft's power cord. (Run appropriate power cable and connect it to receptacle.)

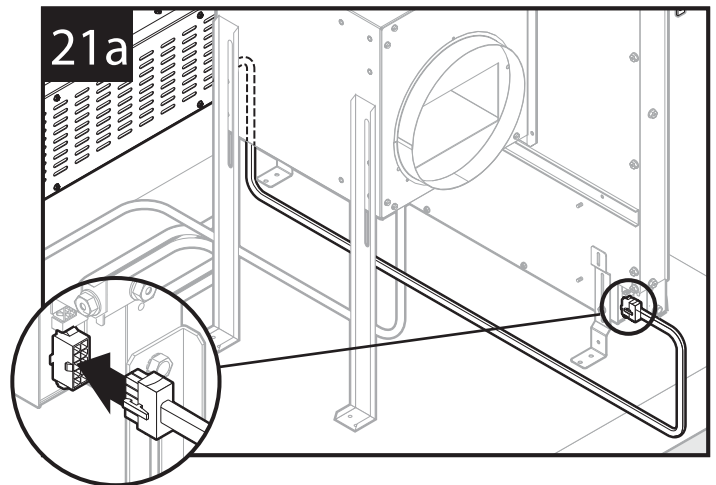


Remove electrical panel (I) cover and route blower wire into wiring box.

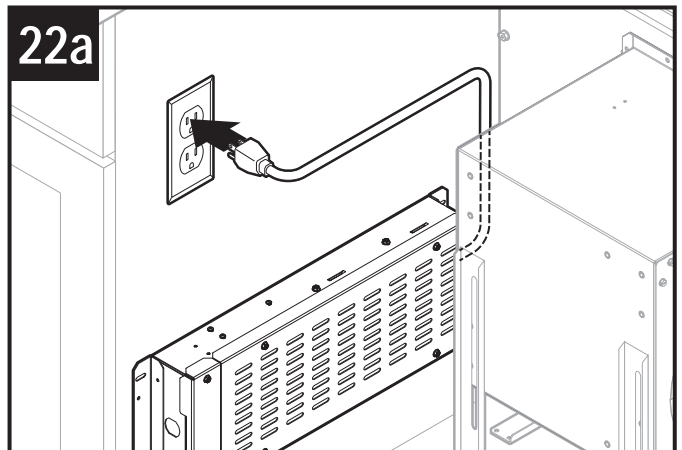


Connect blower wires to wires in electrical panel. Replace electrical panel cover.

Note: Orange wire from blower is capped off and not connected.



Plug electrical panel cable into lower receptacle on side of downdraft.



Plug downdraft's power cord into outlet.

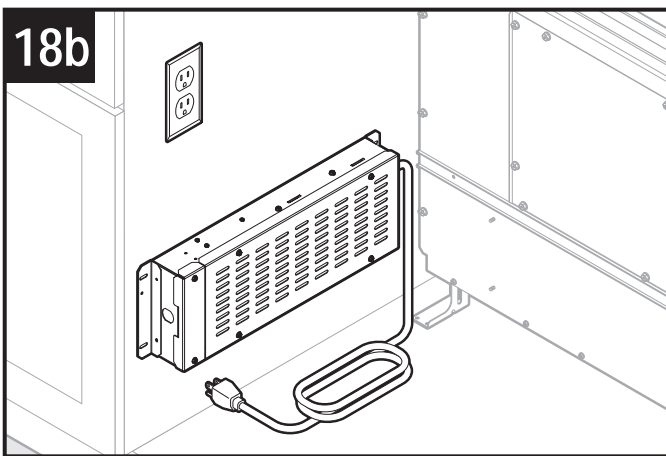
Note: Make sure that power cord is routed away from the heat generated by the cooktop.

Exterior or In-Line Blower only

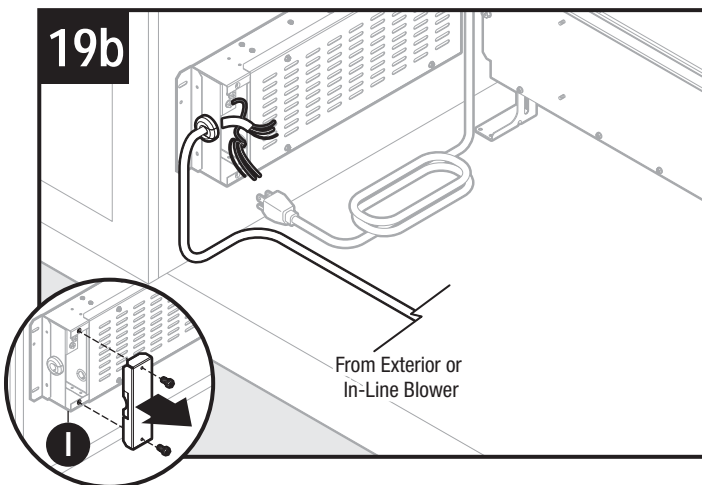
CAUTION

All electrical wiring should be done by a qualified person(s) in accordance with all applicable codes and standards.

- If using a remote blower (purchase separately), the system draws 6.0 Amps (max.) and requires a 120 VAC, 60 Hz circuit.
- The unit has a 30 in. long power cord with a 3-pronged plug attached to the electrical panel. Plan to provide a grounded outlet in a location which will allow the unit's power cord to reach.
- Install electrical box according to local codes.

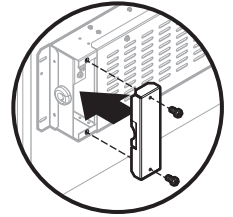


Mount a standard wiring box, with 3-pronged receptacle, within reach of downdraft's power cord. Run appropriate power cable and connect it to receptacle.



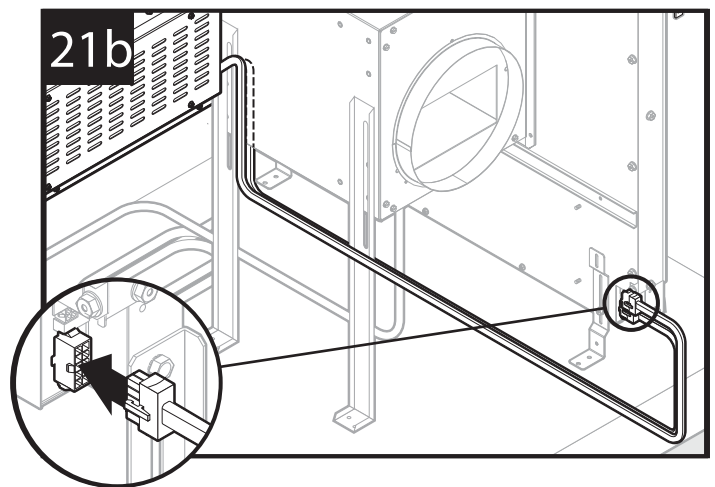
Remove wiring box cover and route blower wire into wiring box.

Lift Downdraft	White (Common)	↔	White (Common)	Remote Blower
	Blue (Low)	↔	Red (Low)	
	Gray (Med.)	↔	Blue (Med.)	
	Black (High)	↔	Black (High)	
	Orange (High)	↔	Green (Ground)	
	Green (Ground)	↔	Green (Ground)	

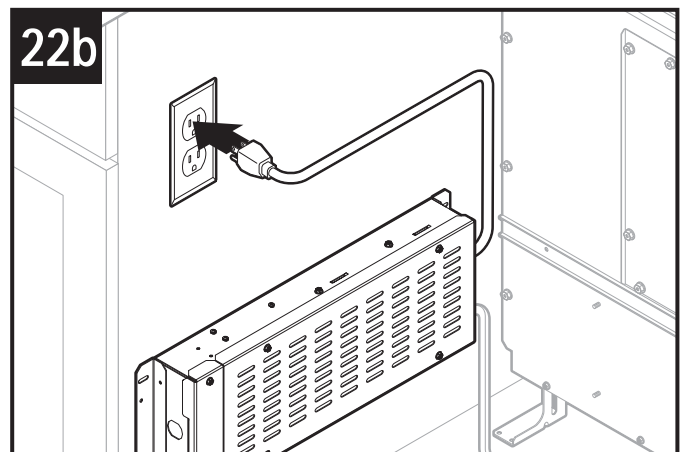


20b

Connect blower wires to wires in wiring box. Replace wiring box cover.



Plug electrical panel cover into lower receptacle as shown.



Plug downdraft's power cord into outlet.

Note: Make sure that power cord is routed away from the heat generated by the cooktop.

Install Cooking Appliance

1. Align the cooking appliance with downdraft and fasten appliance in place following appliance instructions.

Note: Accurate alignment of cooking appliance and downdraft is necessary to ensure that there is no interference when air vent is raised and lowered. There should be a gap of 1/32" - 1/16" between the back of the cooktop and the front of the downdraft cover.

Control Panel and Up Button

Fan + Button

- Press to increase fan speed.
- After maximum speed is reached, press + button once more to turn fan off.

Fan - Button

- Press to decrease fan speed.
- After minimum speed is reached, press - button once more to turn fan off.

2 Level Light Control

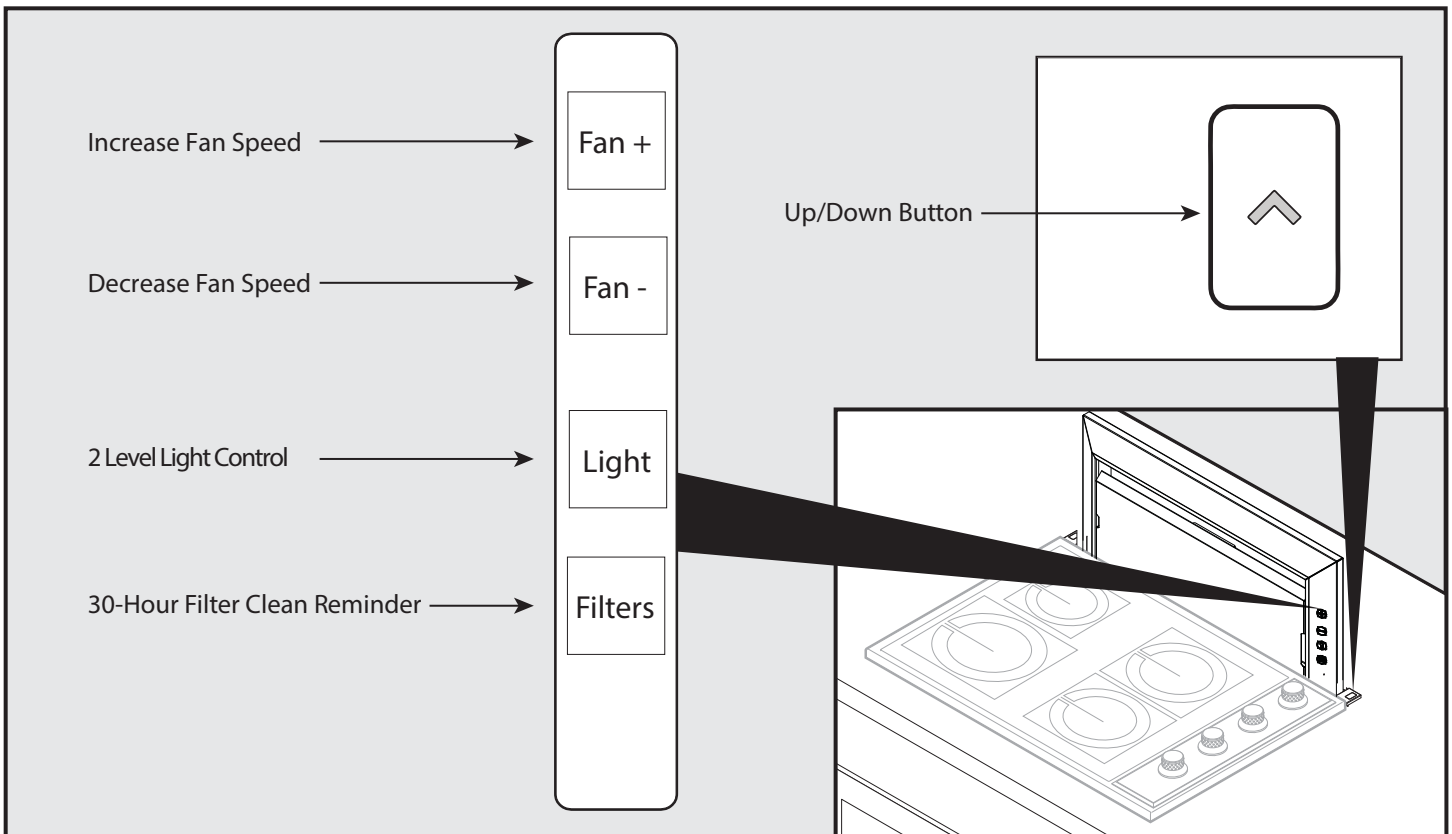
- Press once for dim level.
- Press 2x for bright level.
- Press 3x to turn light off.

30-Hour Filter Clean Reminder

- After 30 hours of blower "ON" time, filter clean icon will blink continuously.
- To reset, touch and hold icon for 2 or more seconds. Indicator will turn off.

Up/Down Button

- To retract chimney, touch down button. Any feature that is active will shut off.
- Touch up button on right trim to raise chimney. All functions will return to their previous settings.



Cooking



Always disconnect electric power supply before cleaning and/or servicing unit.

Always turn the downdraft blower on before you begin cooking to establish an air flow in the kitchen. Let the blower run for a few minutes to clean the air after you turn the cooktop off. This will keep the whole kitchen cleaner and brighter.

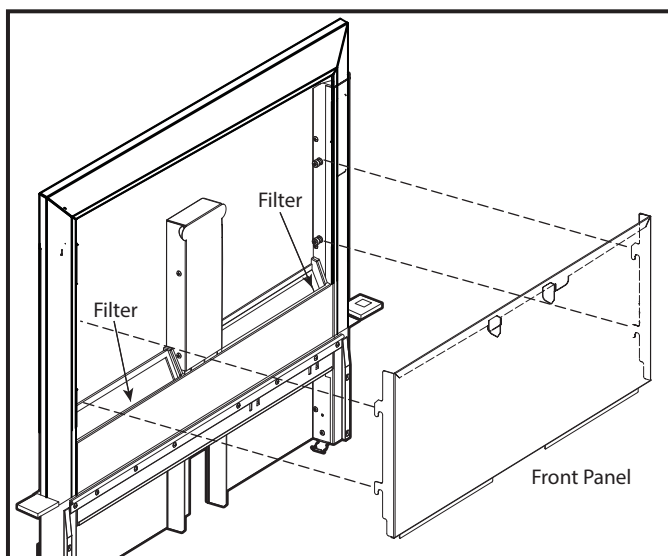
It is recommended to use the rear burners when cooking with tall pots or when the cooking method will generate high amounts of smoke or steam. The combination of using the rear burners and operating the unit at high speed will increase the likelihood that all the smoke and steam will be removed by the downdraft.

Cleaning



To Clean grease filters:

Lift FRONT PANEL up and out and take out the **GREASE FILTERS**. Wash filters in a mild detergent solution or a dishwasher. Replace filters and front panel before using downdraft.



To clean inside chimney:

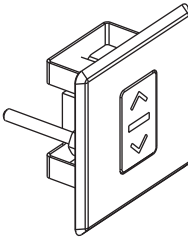

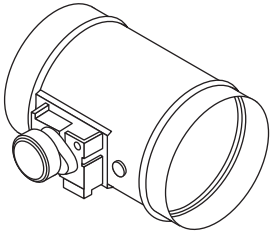
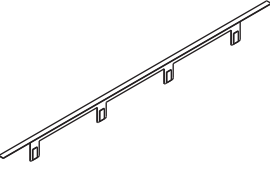
Lift FRONT PANEL up and out and take out the **GREASE FILTERS**. Use a mild detergent. **DO NOT USE ABRASIVE CLOTH, STEEL WOOL PADS, OR SCOURING POWDERS**. Replace filters and front panel before using downdraft.

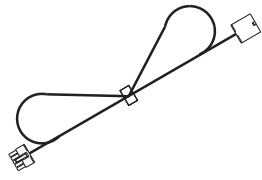
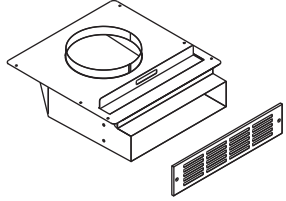
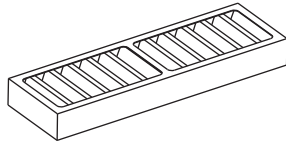
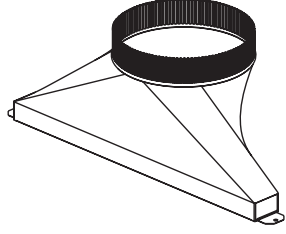
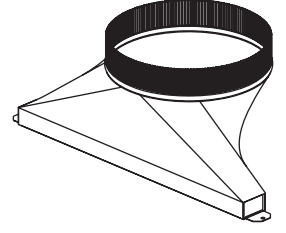
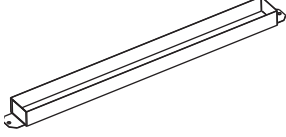
Servicing

It may be necessary to remove the downdraft blower system from the cabinet in order to service components such as the blower motor or air vent mechanism.

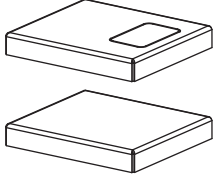
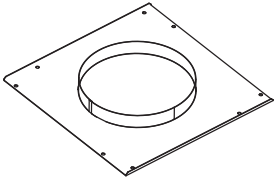
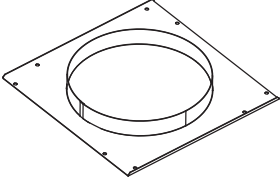
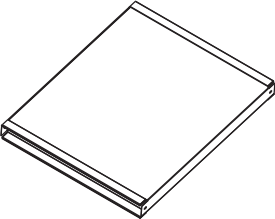
Disconnect power to the cooktop and remove it first. Reverse the steps under "INSTALL HOUSING INTO CABINET" to remove the downdraft from the cabinet.

Optional Accessories

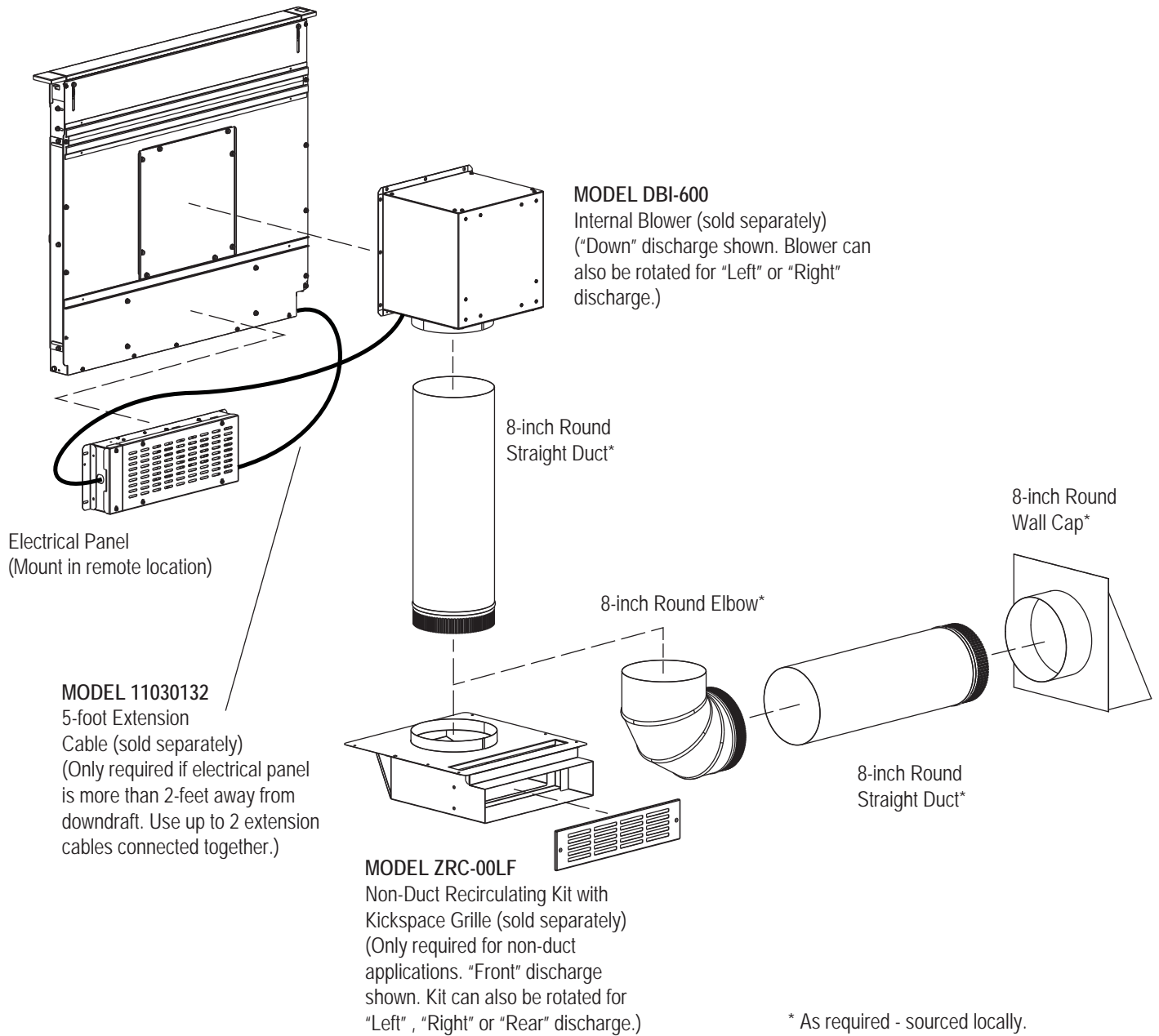
Accessory	Description
Model DDA-0002 	REMOTE UP/DOWN CONTROL Use when you cannot reach the UP/DOWN Button on the downdraft chimney. Can be located on counter top, face of cabinetry or on the side cabinet of an island. Cut-out size: 2 1/4" H x 2" W Cannot be used where remote control will interfere with cooking, where hot pans could be set, or where hot liquids could be spilled on the control. (Remote wiring connects with 6-pin connection)
MODELS DDS-0030 DDS-0036 	GAS COOKTOP SEAL KIT Recommended for use with all gas cooktops. Includes trim bracket and trim seal. 30", 36" widths.
MODELS MUA008A MUA010A 	MAKE-UP AIR DAMPER Use to provide make-up air (when called for) to keep the home comfortable by allowing the downdraft to operate at optimum levels.
MODELS DDT-0030 DDT-0036 	RANGE TRIM KIT Use with free-standing range - where a gap is present between back of range and downdraft. 30", 36" widths.

Accessory	Description
MODEL 11030132 	EXTENSION CABLE - 5-FT. Use where electrical panel is remotely mounted. Extends electrical panel cable an additional 5 feet.
MODEL ZRC-00LF 	NON-DUCT RECIRCULATING KIT Use where ducting is not feasible or available. Mount to toe kick or base of a cabinet and attach directly to Model DBI-600A Blower using 8" round duct. Kit can be rotated so that the exhaust is not directly at your feet. Includes recirculating filter and decorative cover plate.
MODEL Z0F-C006 	RECIRCULATION FILTER REPLACEMENT Replacement filter for ZRC-00LF Non-Duct Recirculating Kit. Use to effectively capture cooking contaminants.
MODEL AK00070 	1-7/8" X 19" TO 8" ROUND TRANSITION Rectangular to 8" round transition for left, right, or rear exhaust - using Model DBI-600A Blower. Can be attached to downdraft unit or rectangular duct (AK00072). Includes S-clips for easy, secure attachment.
MODEL AK00071 	1-7/8" X 19" TO 10" ROUND TRANSITION Rectangular to 10" round transition for left, right, or rear exhaust - using external blower. Can be attached to downdraft unit or rectangular duct (AK00072).
MODEL AK00072 	RECTANGULAR ADAPTOR FOR 1-7/8" X 19" Use to connect 1-7/8" x 19" rectangular duct directly to downdraft when using side or rear exhaust.

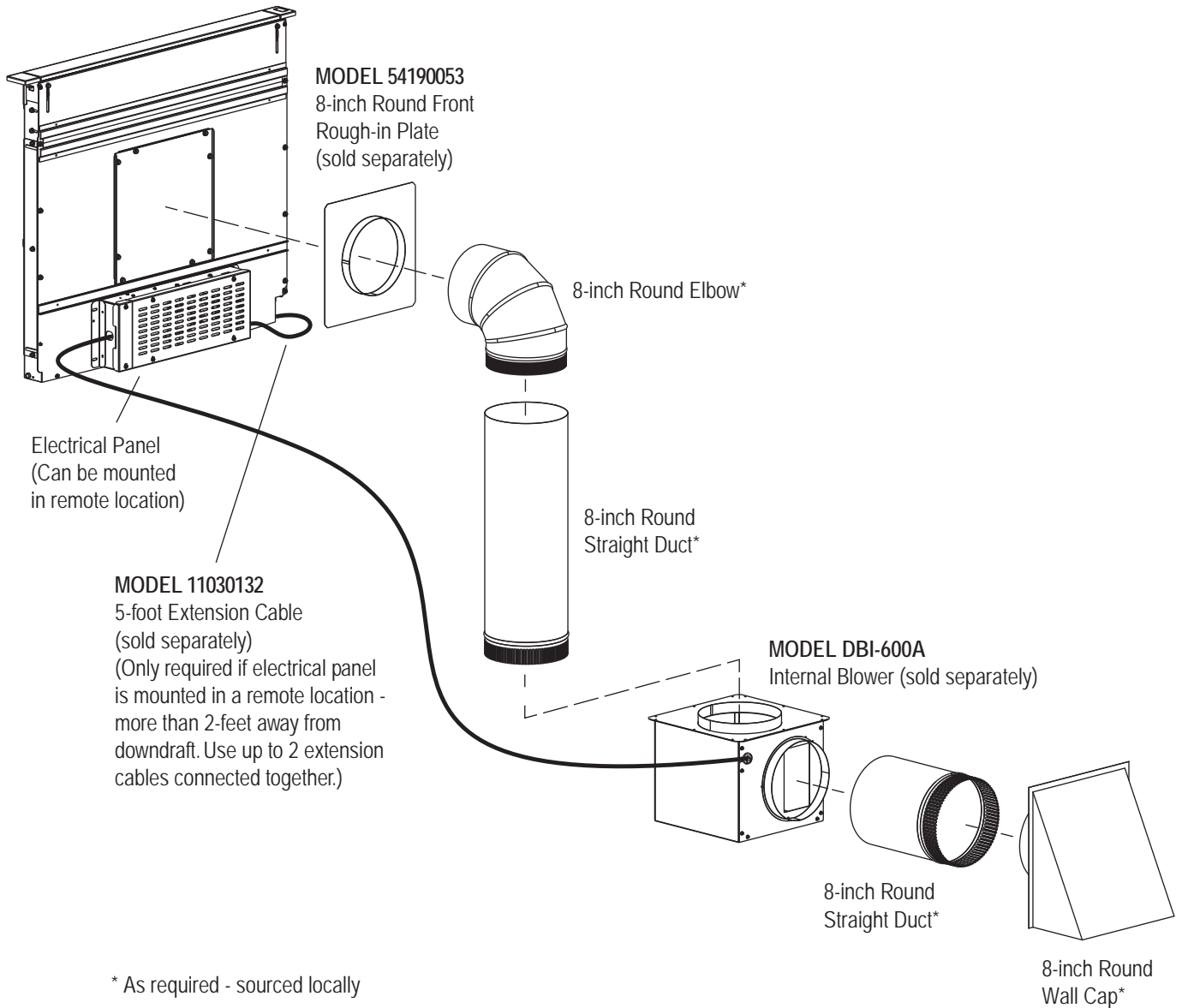
Optional Accessories (continued)

Accessory	Description
<p>MODEL DDE-0001</p> 	<p>END CAP TRIM EXTENSION +1" WIDTH - LH & RH</p> <p>Use left and right to increase the overall trim width by 1".</p>
<p>MODEL 54190053</p> 	<p>FRONT PANEL ROUGH-IN PLATE - 8" ROUND</p> <p>Use where 8" round duct or elbow attaches to front of airbox (Model DBI-600A used as remote blower installation).</p>
<p>MODEL 54190054</p> 	<p>FRONT PANEL ROUGH-IN PLATE - 10" ROUND</p> <p>Use where 10" round duct or elbow attaches to front of airbox (exterior or in-line blower installation).</p>
<p>MODEL AK00080</p> 	<p>RECTANGULAR DUCT - 2-FT. SECTIONS (1-7/8" X 19")</p> <p>Galvanized steel construction.</p>

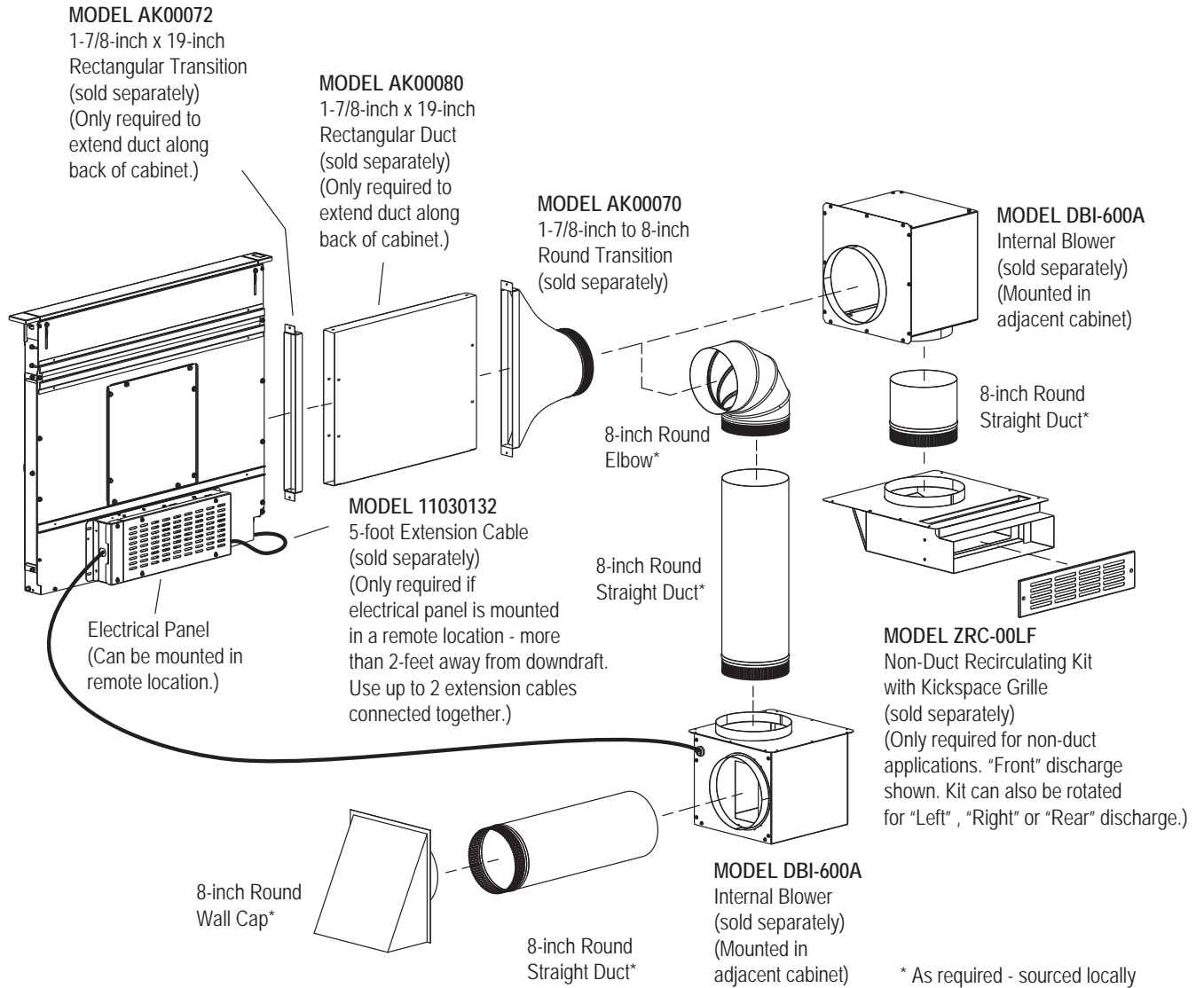
Internal Blower (DBI-600A) - Front Mounted to Downdraft



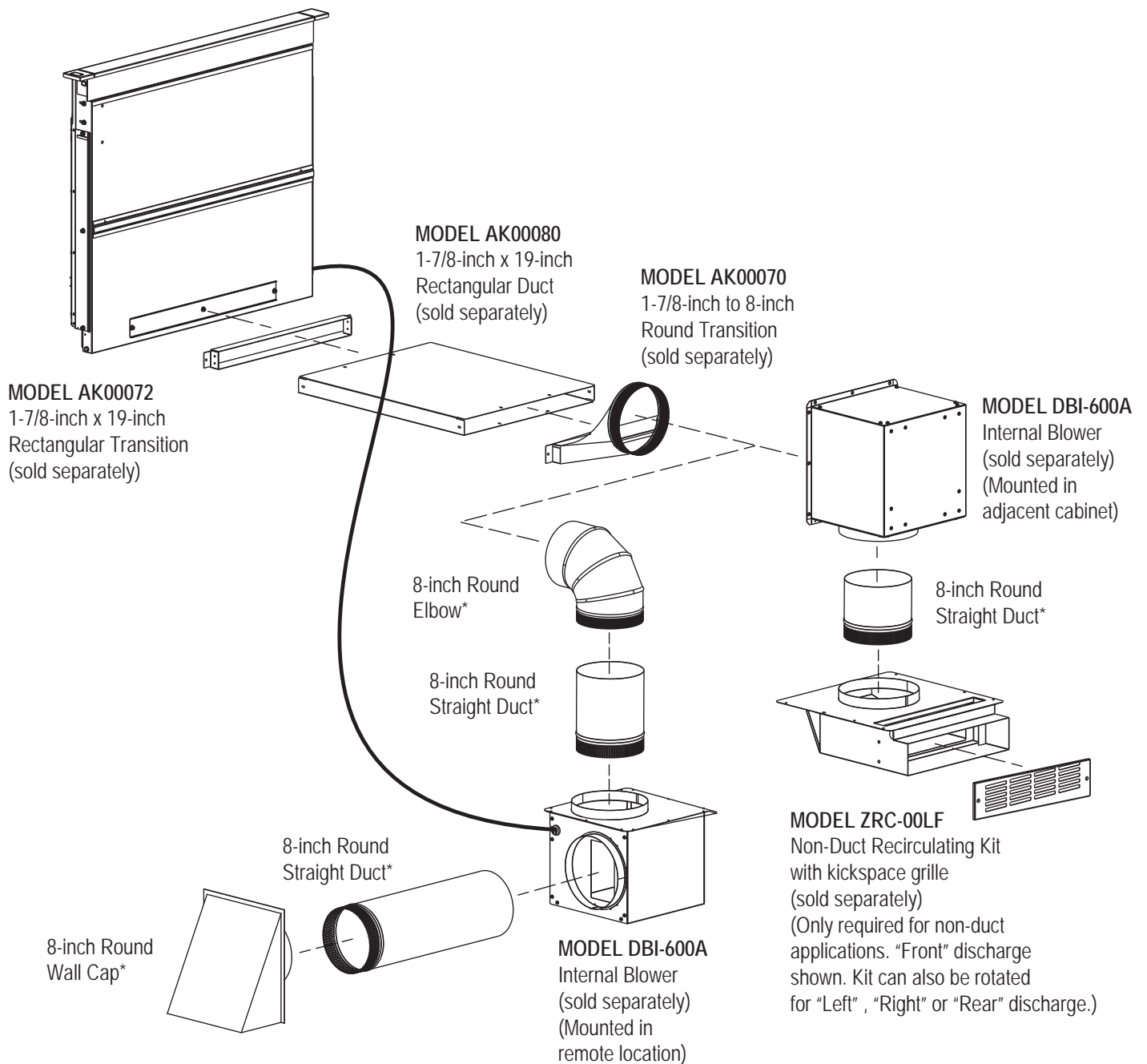
Internal Blower (DBI-600A) - Remote Mounted - Front Outlet



Internal Blower (DBI-600A) - Remote Mounted - Side Outlet

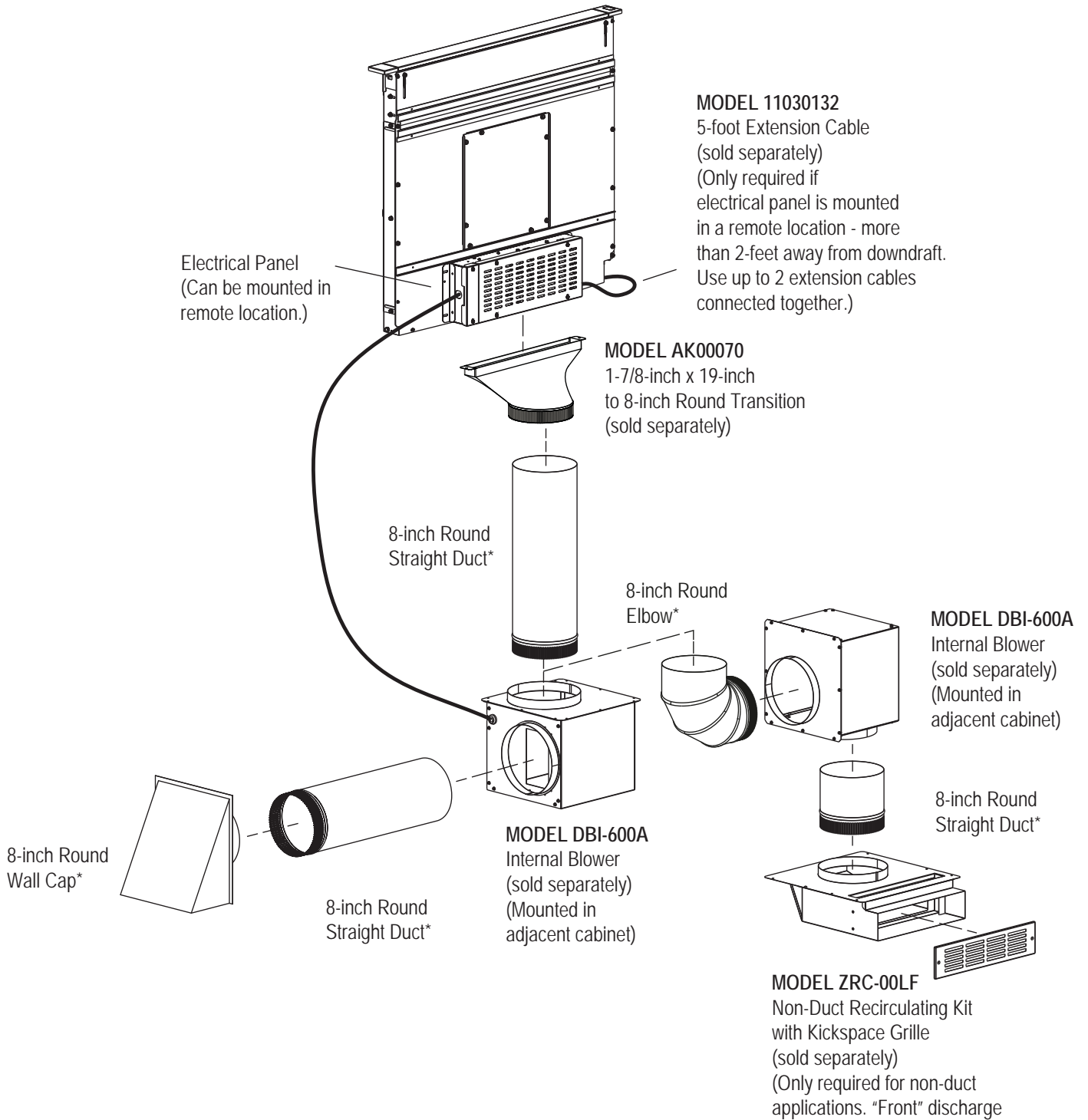


Internal Blower (DBI-600A) - Remote Mounted - Rear Outlet

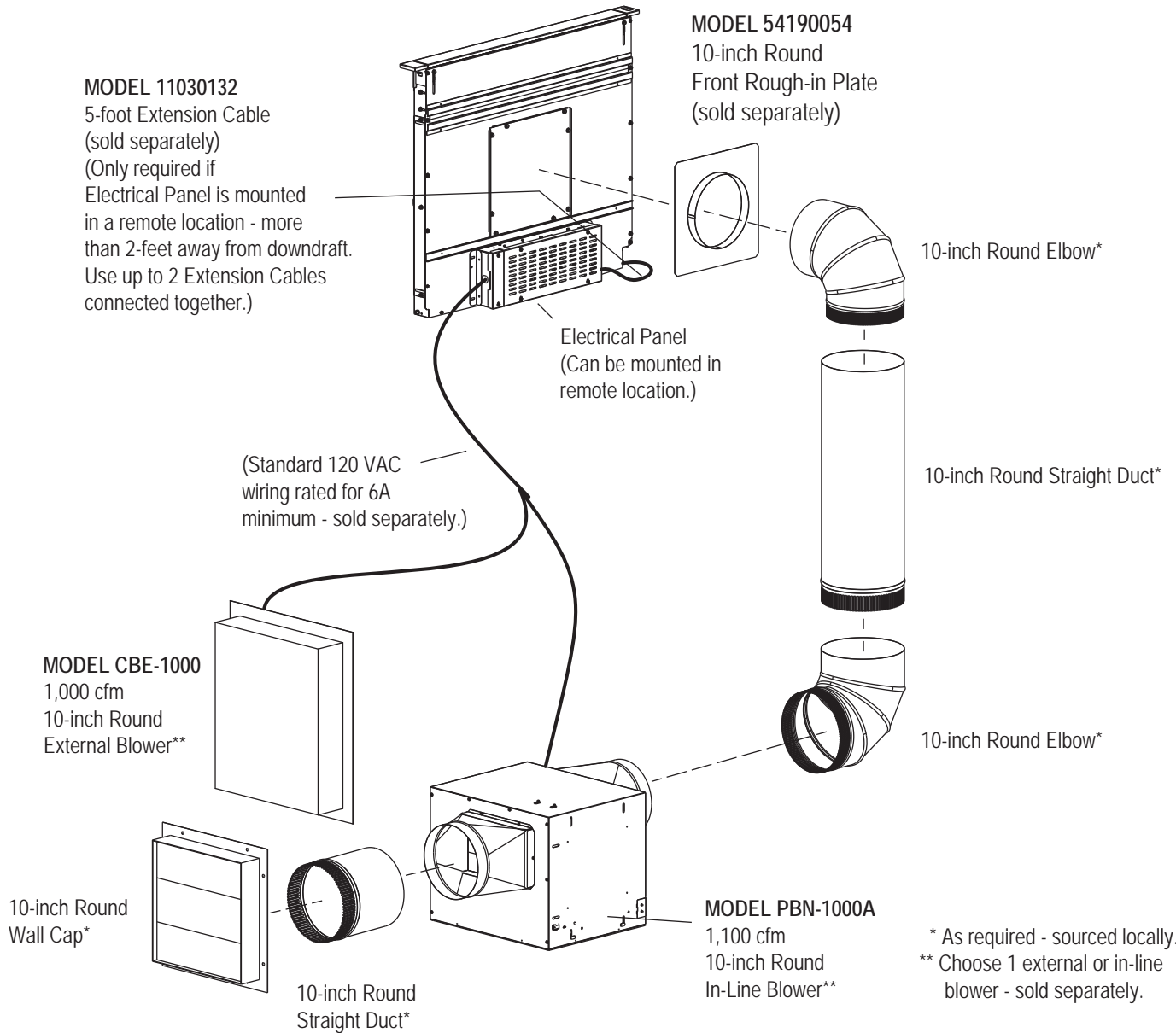


* As required - sourced locally

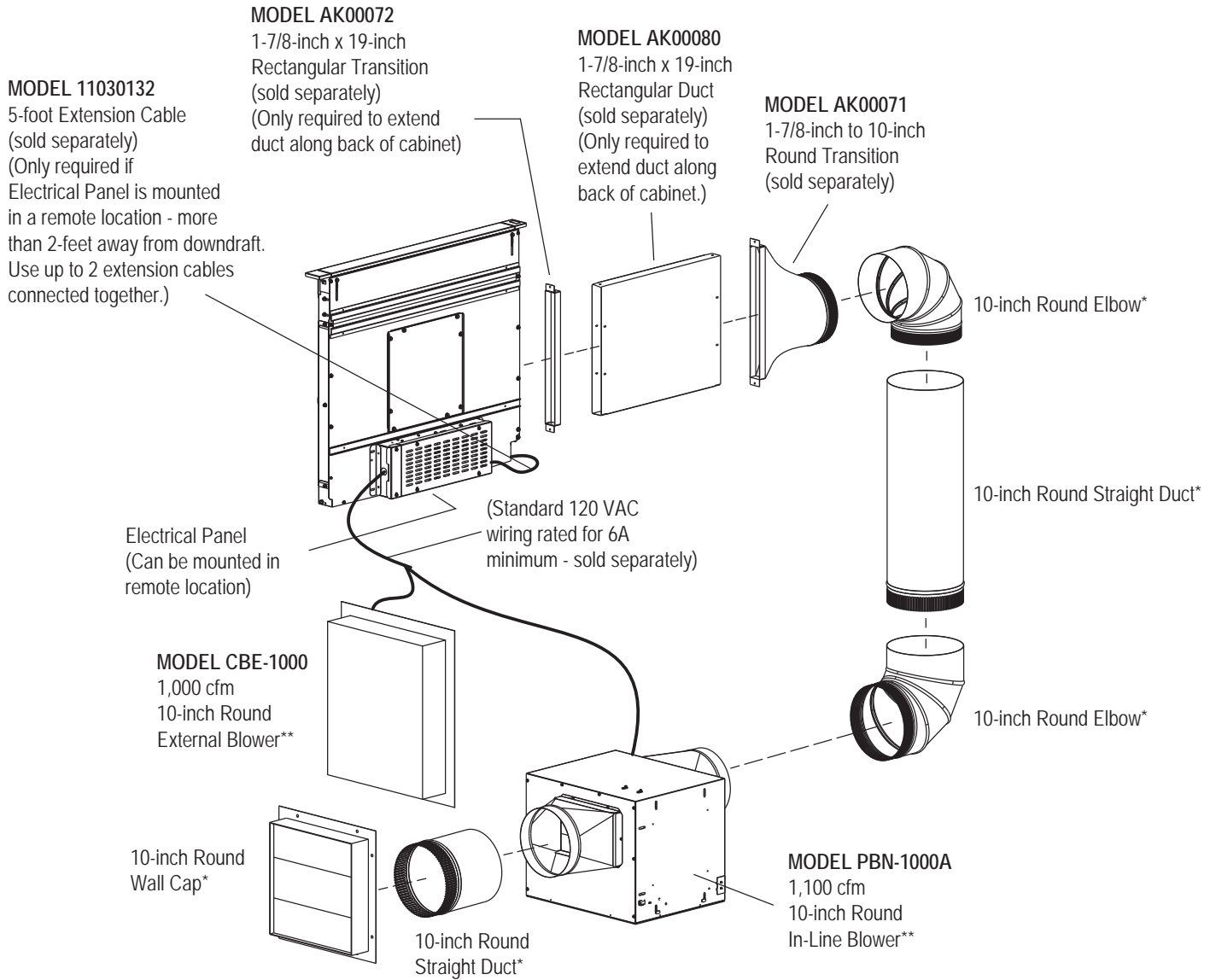
Internal Blower (DBI-600A) - Remote Mounted - Below Outlet



External or In-Line Blower - Front Outlet

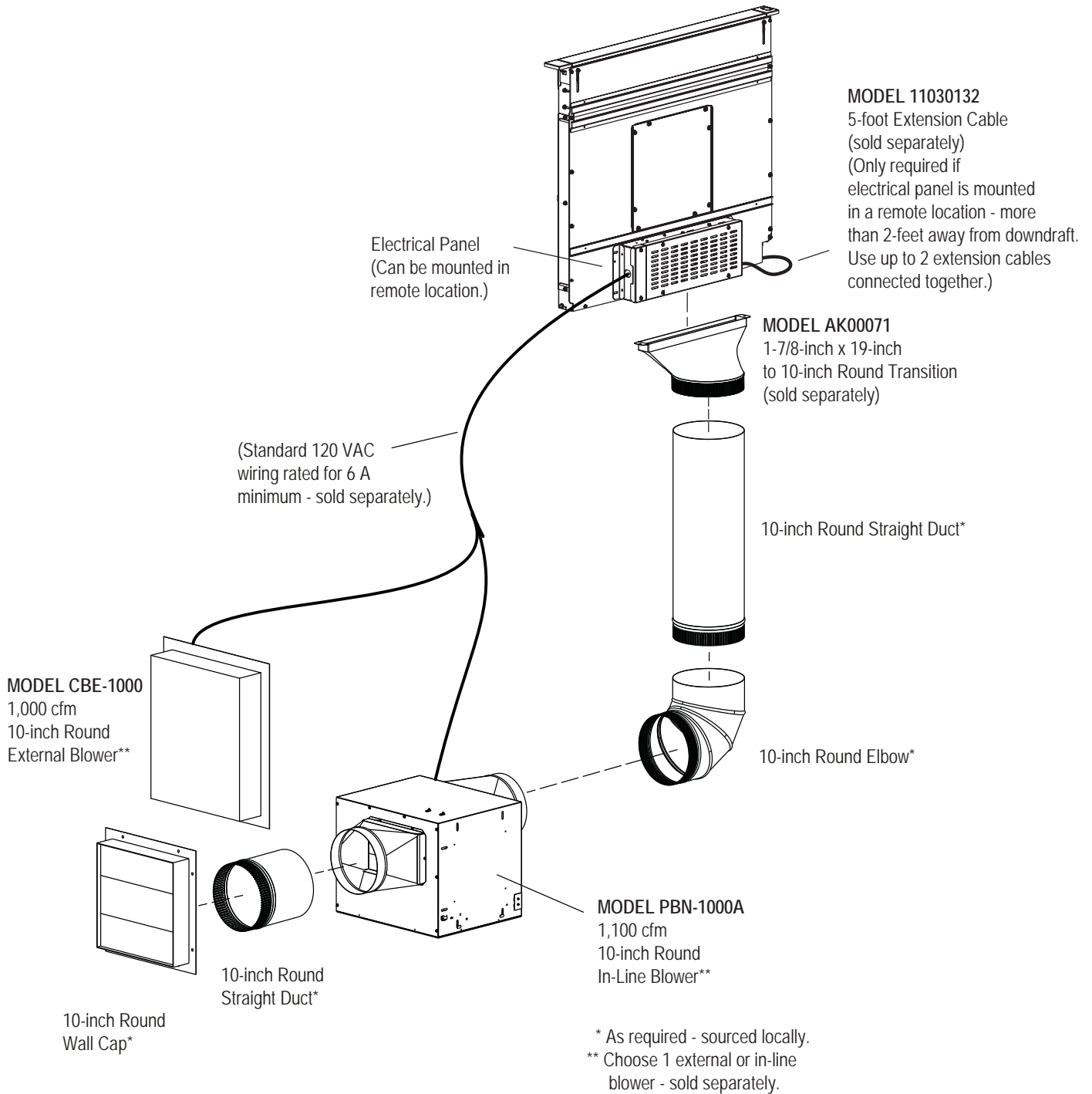


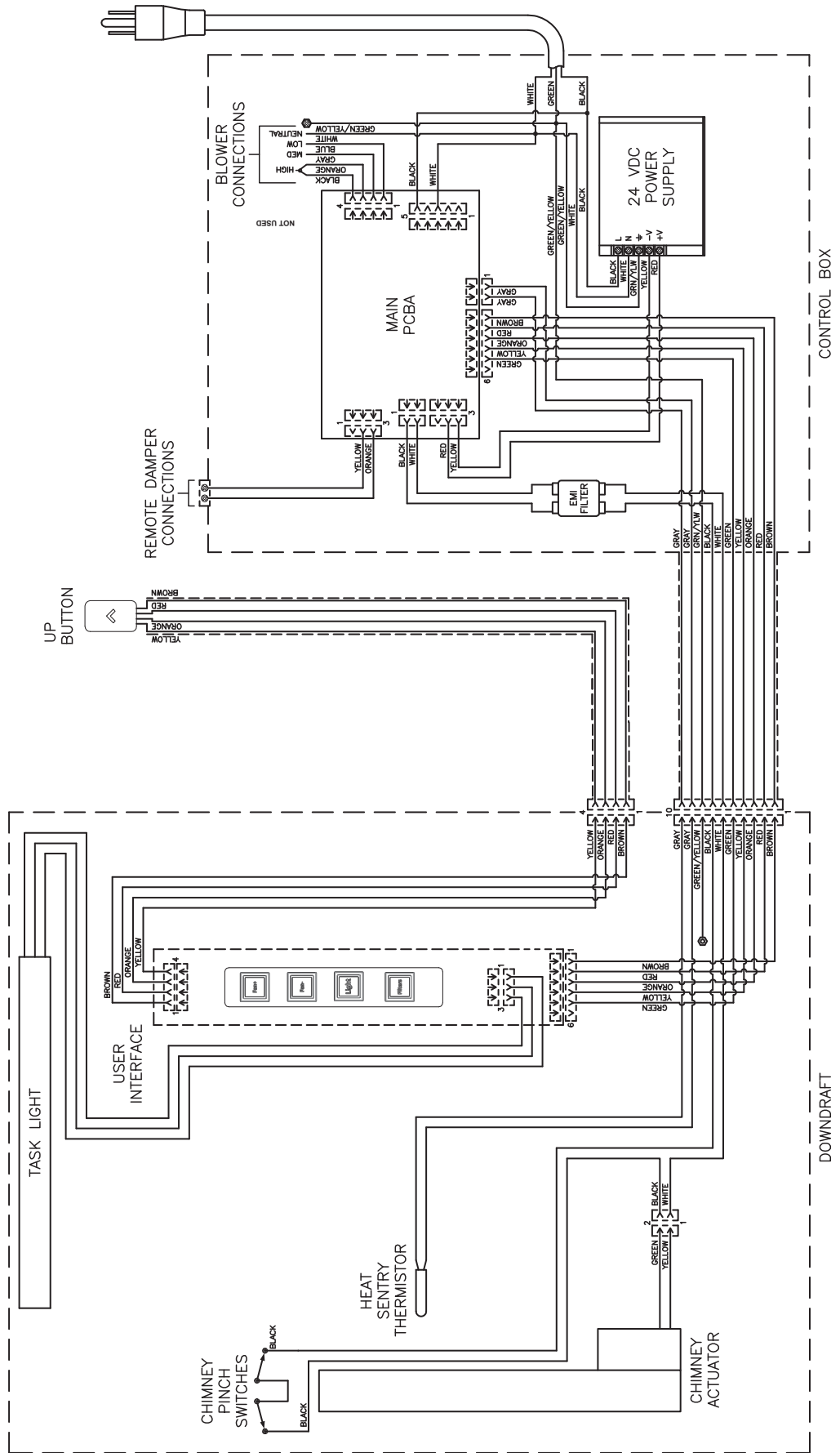
External or In-Line Blower - Side or Rear Outlet

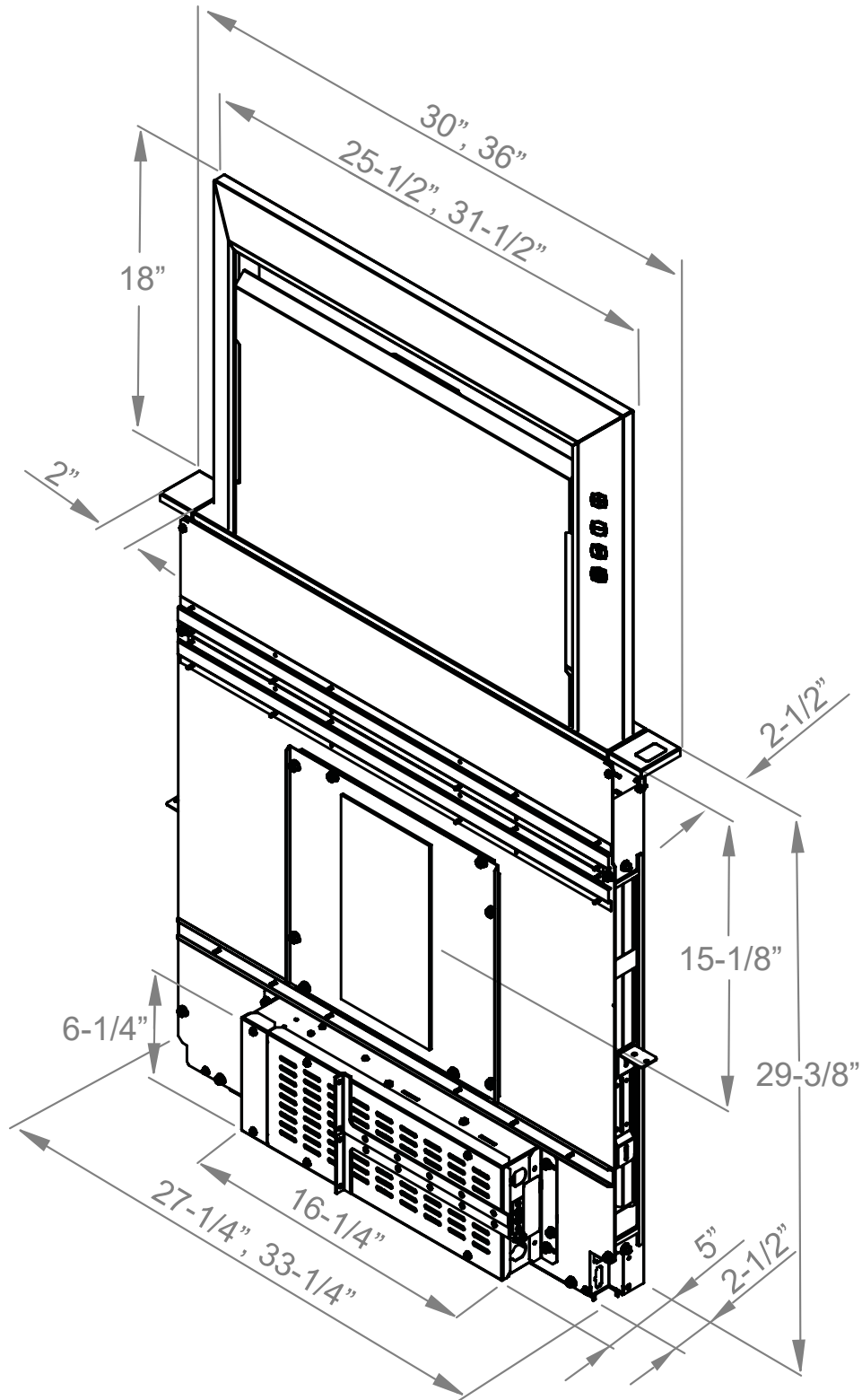


* As required - sourced locally.
** Choose 1 external or in-line blower - sold separately.

External or In-Line Blower - Below Outlet







ZEPHYR
Limited Warranty

STAPLE YOUR RECEIPT HERE
Proof of the original purchase
date is needed to obtain
service under warranty

**TO OBTAIN SERVICE UNDER WARRANTY OR FOR ANY SERVICE RELATED QUESTIONS, please call:
1-888-880-8368**

Zephyr Ventilation, LLC (referred to herein as “we” or “us”) warrants to the original consumer purchaser (referred to herein as “you” or “your”) of Zephyr products (the “Products”) that such Products will be free from defects in materials or workmanship as follows:

Two Year Limited Warranty for Parts: For two years from the date of your original purchase of the Products, we will provide, free of charge, Products or parts (including LED light bulbs, if applicable) to replace those that failed due to manufacturing defects subject to the exclusions and limitations below. We may choose, in our sole discretion, to repair or replace parts before we elect to replace the Products.

One Year Limited Warranty for Labor: For one year from the date of your original purchase of the Products, we will provide, free of charge, the labor cost associated with repairing the Products or parts to replace those that failed due to manufacturing defects subject to the exclusions and limitations below. After the first year from the date of your original purchase, you are responsible for all labor costs associated with this warranty.

Warranty Exclusions: This warranty covers only repair or replacement, at our option, of defective Products or parts and does not cover any other costs related to the Products including but not limited to: (a) normal maintenance and service required for the Products and consumable parts such as fluorescent, incandescent or halogen light bulbs, mesh and charcoal filters and fuses; (b) any Products or parts which have been subject to freight damage, misuse, negligence, accident, faulty installation or installation contrary to recommended installation instructions, improper maintenance or repair (other than by us); (c) commercial or government use of the Products or use otherwise inconsistent with its intended purpose; (d) natural wear of the finish of the Products or wear caused by improper maintenance, use of corrosive and abrasive cleaning products, pads, and oven cleaner products; (e) chips, dents or cracks caused by abuse or misuse of the Products; (f) service trips to your home to teach you how to use the Products; (g) damage to the Products caused by accident, fire, floods, acts of God; or (h) Custom installations or alterations that impact serviceability of the Products. If you are outside our service area, additional charges may apply for shipping costs for warranty repair at our designated service locations and for the travel cost to have a service technician come to your home to repair, remove or reinstall the Products. After the first year from the date of your original purchase, you are also responsible for all labor costs associated with this warranty. All Products must be installed by a qualified professional installer to be eligible for warranty repairs or service.

Limitations of Warranty. OUR OBLIGATION TO REPAIR OR REPLACE, AT OUR OPTION, SHALL BE YOUR SOLE AND EXCLUSIVE REMEDY UNDER THIS WARRANTY. WE SHALL NOT BE LIABLE FOR INCIDENTAL, CONSEQUENTIAL OR SPECIAL DAMAGES ARISING OUT OF OR IN CONNECTION WITH THE USE OR PERFORMANCE OF THE PRODUCTS. THE EXPRESS WARRANTIES IN THE PRECEDING SECTION ARE EXCLUSIVE AND IN LIEU OF ALL OTHER EXPRESS WARRANTIES. WE HEREBY DISCLAIM AND EXCLUDE ALL OTHER EXPRESS WARRANTIES FOR THE PRODUCTS, AND DISCLAIM AND EXCLUDE ALL WARRANTIES IMPLIED BY LAW, INCLUDING THOSE OF MERCHANTABILITY AND FITNESS FOR A PARTICULAR PURPOSE.

Some states or provinces do not allow limitations on the duration of an implied warranty or the exclusion or limitation of incidental or consequential damages, so the above limitations or exclusions may not apply to you. To the extent that applicable law prohibits the exclusion of implied warranties, the duration of any applicable implied warranty is limited to the same two-year and one-year periods described above if permitted by applicable law. Any oral or written description of the Products is for the sole purpose of identifying the Products and shall not be construed as an express warranty. Prior to using, implementing or permitting use of the Products, you shall determine the suitability of the Products for the intended use, and you shall assume all risk and liability whatsoever in connection with such determination. We reserve the right to use functionally equivalent refurbished or reconditioned parts or Products as warranty replacements or as part of warranty service. This warranty is not transferable from the original purchaser and only applies to the consumer residence where the Product was originally installed located in the United States and Canada. This warranty is not extended to resellers.

To Obtain Service Under Limited Warranty: To qualify for warranty service, you must: (a) notify us at the address or telephone number stated below within 60 days of the discovery of the defect; (b) give the model number and serial number; and (c) describe the nature of any defect in the Product or part. At the time of the request for warranty service, you must present evidence of your proof of purchase and proof of the original purchase date. If we determine that the warranty exclusions listed above apply or if you fail to provide the necessary documentation to obtain service, you will be responsible for all shipping, travel, labor and other costs related to the services. This warranty is not extended or restarted upon warranty repair or replacements.

Please check our website for any additional Product information, www.zephyronline.com.

Zephyr Ventilation Service Department, 2277 Harbor Bay Parkway, Alameda, CA 94502 1-888-880-8368

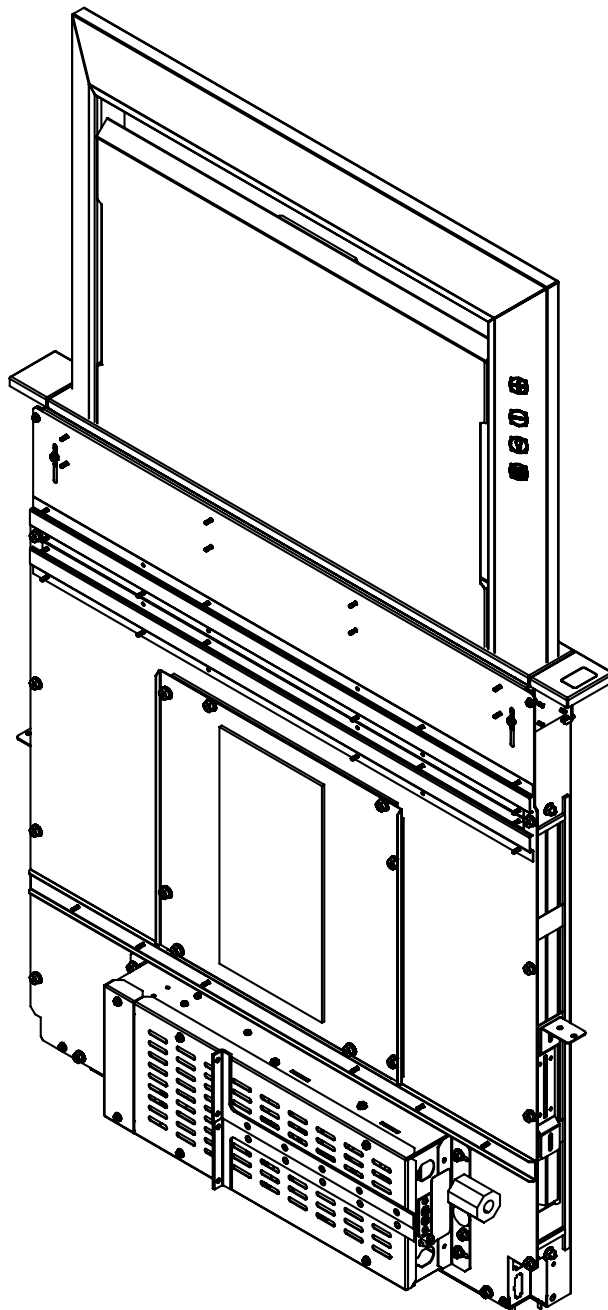
Hotte de ventilation à aspiration descendante

Pour utiliser avec les ventilateurs suivants
(les ventilateurs sont vendus séparément) :

Modèle DBI-600A – Intérieur

Modèles CBE-1000 – Inst. Extérieur

Modèles PBN-1000A – Inst. conduit



LIRE ET CONSERVER CES INSTRUCTIONS

Enregistrer votre produit en ligne sur : www.zephyronline.com

Informations sur la sécurité	37
Table des matières	38
Spécifications	38
Outils nécessaires	38
Planification	
Avant de commencer.....	39
Prise des mesures.....	39
Configurations du conduit.....	39
Découpe de l'armoire	44
Préparation de la hotte de ventilation à aspiration descendante	
Conduit latéral ou arrière.....	46
Conduit avant.....	46
Panneau électrique installé à distance.....	47
Assemblage final.....	47
Installation	
Découpage de l'ouverture du comptoir	48
Installation du boîtier dans l'armoire.....	49
Installation des capuchons de finition	50
Installation du système de conduit.....	50
Installation du câblage électrique	
Ventilateur DBI-600A uniquement.....	51
Ventilateur sur conduit ou à l'extérieur uniquement	52
Installation/utilisation de l'appareil électroménager	53
Utilisation et entretien	54
Accessoires optionnels	55
Configurations de canalisation de soufflante A - H	57
Schema de câblage	65
Dessin dimensionnel	66
Garantie	67



AVERTISSEMENT

POUR RÉDUIRE LE RISQUE D'INCENDIE, DE DÉCHARGE ÉLECTRIQUE OU DE BLESSURE CORPORELLE, ASSUREZ-VOUS DE RESPECTER LES POINTS SUIVANTS :

1. Utilisez cette unité uniquement aux fins prévues par le fabricant. Si vous avez des questions, communiquez avec le fabricant à l'adresse ou au numéro de téléphone sur la dernière page.
2. Avant d'effectuer l'entretien ou le nettoyage de l'unité, coupez l'alimentation au niveau du panneau électrique et verrouillez l'accès au panneau afin d'éviter qu'elle ne soit remise en marche accidentellement. Lorsque le panneau électrique ne peut être verrouillé, fixez solidement un dispositif d'avertissement, comme une étiquette, sur le panneau électrique.
3. L'installation et le câblage électrique doivent être effectués par une personne qualifiée en conformité avec tous les codes et normes applicables, incluant les normes et codes du bâtiment concernant la protection contre les incendies.
4. Pour éviter le contre-tirage, l'apport d'air doit être suffisant afin d'obtenir une combustion appropriée et pour évacuer les gaz de combustion dans le conduit de fumé (cheminée) produits par les appareils à combustible. Suivez les directives des fabricants d'appareils à combustibles et les normes de sécurité comme celle publiée par l'organisme National Fire Protection Association (NFPA) et l'organisme American Society for Heating, Refrigeration and AirConditioning Engineers (ASHRAE) ainsi que les codes de construction locaux.
5. Lorsque vous coupez ou percez le mur ou le plafond, assurez-vous de ne pas endommager les fils électriques ou les autres objets qui pourraient passer dans les murs ou plafonds.
6. Les ventilateurs installés avec conduit doivent toujours avoir une sortie extérieure.
7. Afin de réduire le risque d'incendie, utilisez uniquement des conduits de métal.
8. N'installez pas ce produit avec l'interrupteur directement derrière un brûleur ou un élément. La distance minimum entre l'interrupteur et le bord du brûleur doit être de 10 cm (4 po).
9. Les vêtements amples ou très grands ne devraient jamais être portés lorsque vous utilisez cet appareil. Ils peuvent être enflammés par les brûleurs/éléments sur la surface de cuisson.
10. Les enfants ne doivent pas être laissés seuls ou sans surveillance à l'endroit où cet appareil est utilisé.
11. Cette unité doit être mise à la terre.

AFIN DE RÉDUIRE LE RISQUE D'INCENDIE DE CUISSON SUR LA SURFACE DE CUISSON.

- A) Ne laissez jamais les surfaces de cuisson sans surveillance à des réglages élevés. Les débordements peuvent provoquer de la fumée et des débordements graisseux qui peuvent s'enflammer. Chauffez l'huile lentement à feu bas ou moyen.
- B) Mettez toujours en MARCHÉ la hotte lorsque vous effectuez de la cuisson à puissance élevée ou lorsque vous cuisez des aliments flambés.
- C) Nettoyez les éléments du ventilateur fréquemment. La graisse ne devrait pas s'accumuler sur le ventilateur ou le filtre.
- D) Utilisez une casserole de taille appropriée. Utilisez toujours des casseroles de taille appropriée pour la surface de l'élément.



AVERTISSEMENT

POUR RÉDUIRE LE RISQUE DE LÉSIONS CORPORELLES DANS LE CAS D'UN INCENDIE DE GRAISSE DE CUISSON, RESPECTEZ LES POINTS SUIVANTS :

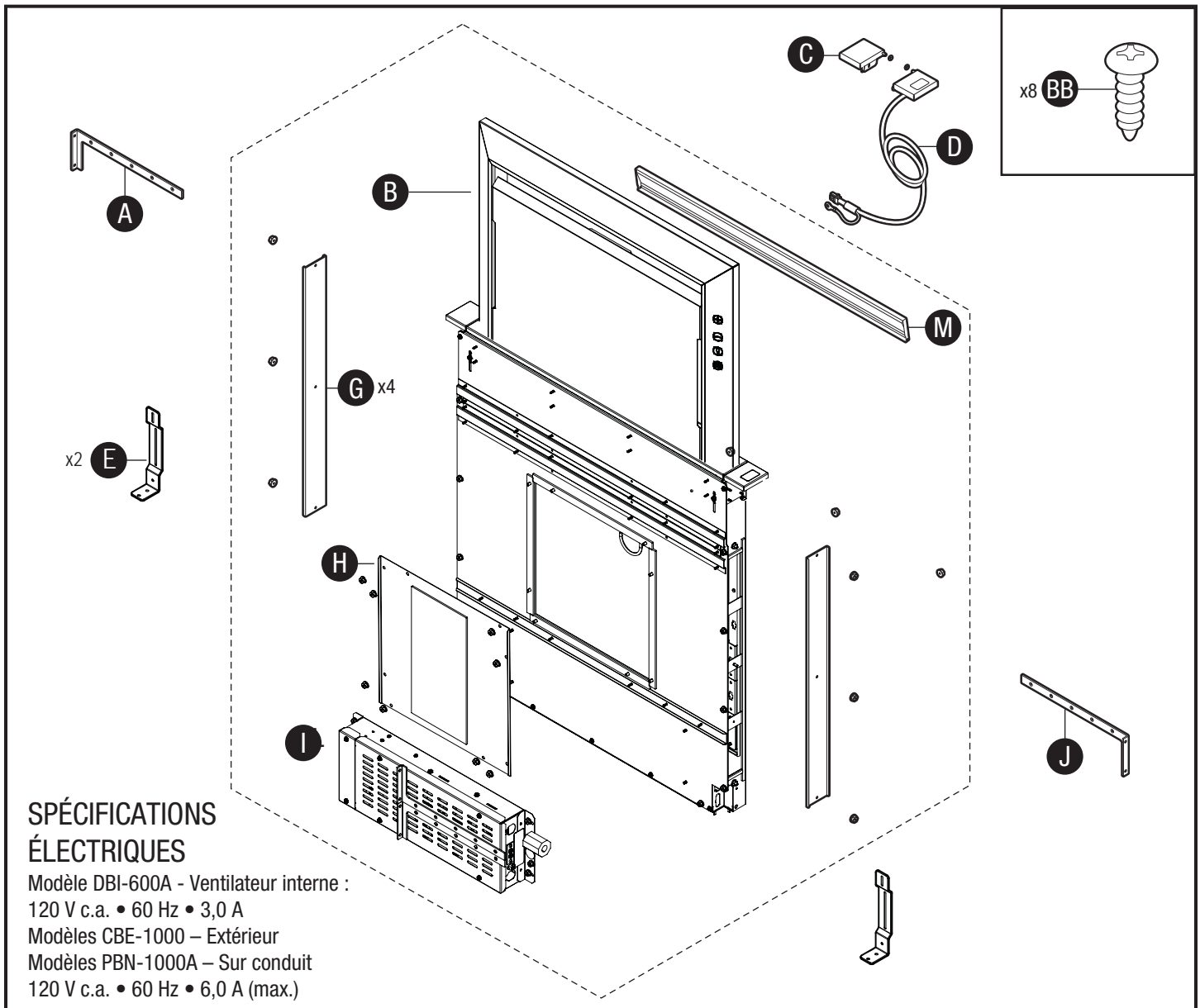
1. ÉTOUFFEZ LES FLAMMES avec un couvercle étanche, une plaque à pâtisserie ou un plateau en métal, puis éteignez le brûleur. SOYEZ PRUDENT POUR ÉVITER LES BRÛLURES. Si les flammes ne s'éteignent pas immédiatement, ÉVACUEZ ET APPELEZ LE SERVICE D'INCENDIE.
2. NE SAISISSEZ JAMAIS UNE CASSEROLE EN FEU – Vous pourriez vous brûler.
3. N'UTILISEZ PAS D'EAU, incluant des torchons de vaisselle ou des linges humides – ceux-ci pourraient entraîner une explosion de vapeur violente.
4. Utilisez un extincteur UNIQUEMENT si :
 - A. Vous savez que vous possédez un extincteur de type ABC, et que vous savez comment l'utiliser.
 - B. Le feu est petit et est circonscrit dans la zone où il a débuté.
 - C. Le service d'incendie a été appelé.
 - D. Vous pouvez combattre l'incendie en ayant une sortie derrière vous. Conseils tirés de la publication « Kitchen Firesafety Tips » publiée par l'organisme NFPA.



ATTENTION

1. Pour une utilisation à l'intérieur seulement.
2. Pour ventilation générale uniquement. N'utilisez pas cet appareil pour évacuer des matières ou vapeurs explosives ou dangereuses.
3. Pour éviter d'endommager le roulement du moteur et de déséquilibrer ou rendre l'impulseur bruyant, enlevez la poussière de plaque de plâtre, la poussière de construction, etc., de l'unité.
4. Nettoyez les filtres et les surfaces graisseuses fréquemment.
5. Ne réparez pas ou ne remplacez pas une pièce de cet appareil, à moins que ce manuel ne le recommande précisément. Toutes les autres tâches d'entretien devraient être effectuées par un technicien qualifié.
6. Veuillez lire l'étiquette de spécifications sur le produit pour obtenir les renseignements et les exigences supplémentaires.
7. Pour réduire le risque d'incendie ou de décharge électrique, installez cette hotte de ventilation uniquement avec les modèles de ventilateurs mentionnés ci-dessous. Ils ne peuvent pas être substitué par d'autres modèles. (Les ventilateurs sont vendus séparément). Modèle de ventilateur DBI-600A, Modèles de ventilateur extérieur CBE-1000 Modèles de ventilateur sur conduit PBN-1000A.

INSTALLATEUR : Conservez ce manuel pour l'inspecteur en électricité et le propriétaire.



Pièce	Description	Quantité
A	Support de fixation supérieur (gauche)	1
B	Boîtier du ventilateur à aspiration descendante	1
C	Capuchon de bordure (gauche)	1
D	Capuchon de bordure – bouton flèche vers le haut (droite)	1
E	Pied	2
G	Couvercle d'éjection	4
H	Couvercle du panneau avant	1
I	Panneau électrique	1
J	Support de fixation supérieur (droit)	1

Pièce	Description	Quantité
M	Porte battante	1
BB	Vis à tête cruciforme n° 10 x 0,50	8

OUTILS NÉCESSAIRES

Ruban à mesurer, crayon, tournevis à tête cruciforme no 2, tournevis à douille (11/32 po, 3/8 po, 7/16 po), clé polygonale, scie, niveau à bulle, cisaille de ferblantier, gant de travail, ruban adhésif d'aluminium (N'utilisez PAS de ruban isolant).

Avant de commencer

En raison de sa conception flexible, ce système de ventilation à aspiration descendante peut être utilisé pour évacuer les contaminants atmosphériques émis lors de la cuisson sur une grande variété d'appareils de cuisson au gaz ou électrique – **incluant les surfaces de cuisson, les cuisinières, les cuisinières encastrées et les cuisinières amovibles.**

Il peut être en installation de type îlot, péninsule ou sur un mur conventionnel. Le ventilateur (vendu séparément) et le panneau électrique peuvent être installés sur l'unité de ventilation à aspiration descendante, à l'intérieur de l'armoire ou dans un endroit plus éloigné.

Cette unité peut être facilement installée en suivant les étapes simples :

- Découpez l'ouverture dans le comptoir.
- Installez l'unité dans l'armoire.
- Installez le ventilateur et le panneau électrique.
- Branchez le conduit et les connexions électriques.
- Installez les bordures de finition.
- Installez l'appareil de cuisson.

Remarque : Le débit d'air élevé de cet appareil peut affecter la flamme de gaz de certaines surfaces de cuisson au gaz. Ceci est NORMAL et ne provoquera aucun tort, mais cela peut être corrigé en diminuant la vitesse du ventilateur.

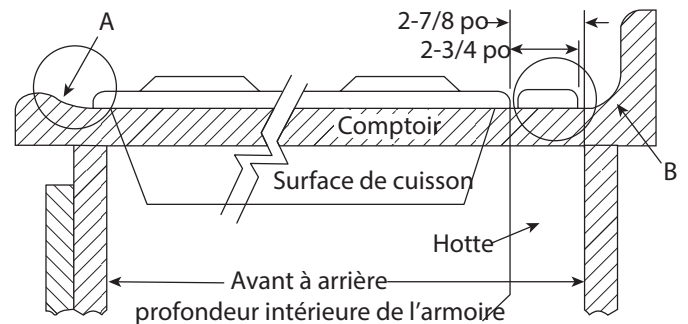
Un ensemble d'étanchéité pour surface de cuisson au gaz est recommandé pour l'installation de toutes les surfaces de cuisson au gaz. L'ensemble permet d'installer un joint d'étanchéité entre la surface de cuisson et l'armoire inférieure. Comprend le support de bordure et le joint d'étanchéité de la bordure. Voir la section des accessoires optionnels.

Configurations du conduit

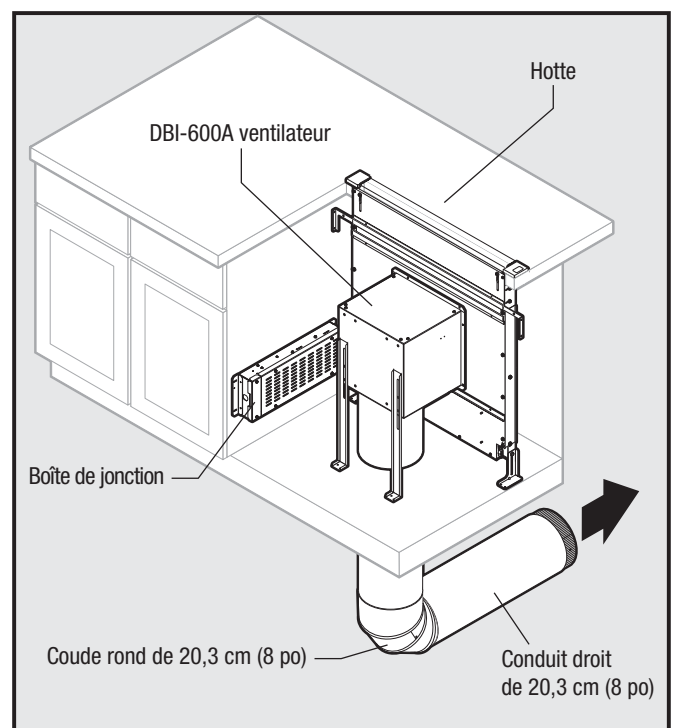
- Le système de ventilation à aspiration descendante est conçu pour être utilisé avec un conduit rond de 20,3 cm (8 po) en utilisant un ventilateur DBI-600A ou un conduit rond 25,4 cm (10 po) avec un ventilateur sur la ligne. (Ventilateurs vendus séparément.)
- Pour de meilleures performances : Choisissez l'option de conduit qui permet d'avoir le plus court conduit et le minimum de coudes et de transition. Déterminer l'emplacement des solives de plancher, des poteaux de cloison, du câblage électrique ou de la plomberie pour détecter de possibles interférences.

Prise des mesures

- Consultez les instructions d'installation de la surface de cuisson pour les dimensions de la surface de cuisson, la découpe du comptoir et les exigences de l'armoire. Il est cependant recommandé d'utiliser des meubles de support surdimensionnés pour faciliter l'utilisation. Des conceptions d'îlot personnalisé doivent prévoir des meubles de support plus profonds – spécialement lorsque vous l'installez avec une cuisinière à l'avant de la hotte de ventilation à aspiration descendante ou lorsque l'installation du ventilateur est effectuée derrière la hotte de ventilation à aspiration descendante. Vous devez aussi planifier une trappe d'accès.
- La profondeur des surfaces de cuisson peut varier d'un modèle à l'autre. Cela pourrait provoquer une installation plus serrée de ces deux appareils. Portez une attention spéciale aux endroits d'interférence potentielle soulignées ci-dessus. Un comptoir avec (A) un rebord surélevé et/ou (B) un dossier peuvent ne pas laisser assez d'espace comptoir plat pour une installation appropriée. Prenez note que 7 cm (2 3/4 po) de dégagement sur le comptoir plat derrière la surface de cuisson sont nécessaires et un dégagement de 6,4 cm (2 1/2 po) est nécessaire entre le côté arrière de la surface de cuisson et l'intérieur arrière de l'armoire.

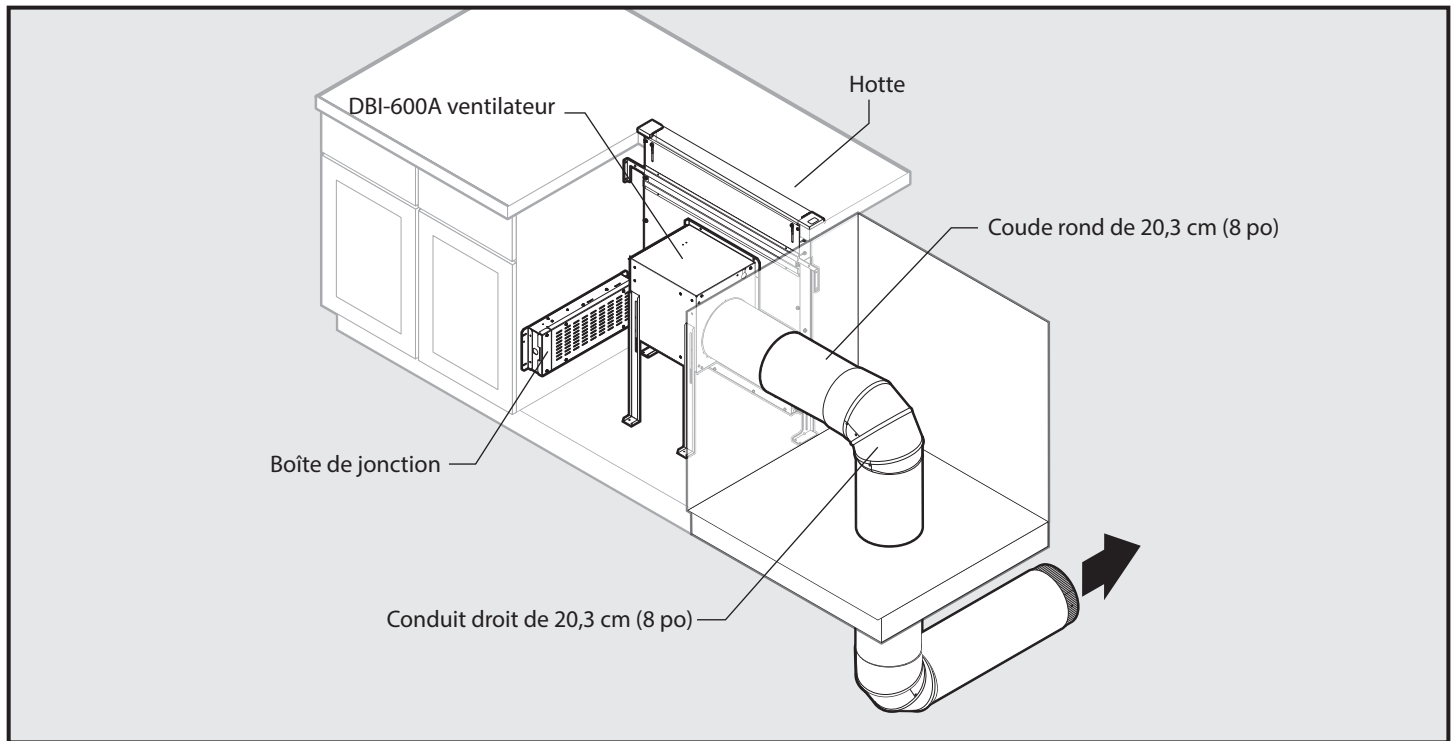


Évacuation avant avec ventilateur DBI-600A

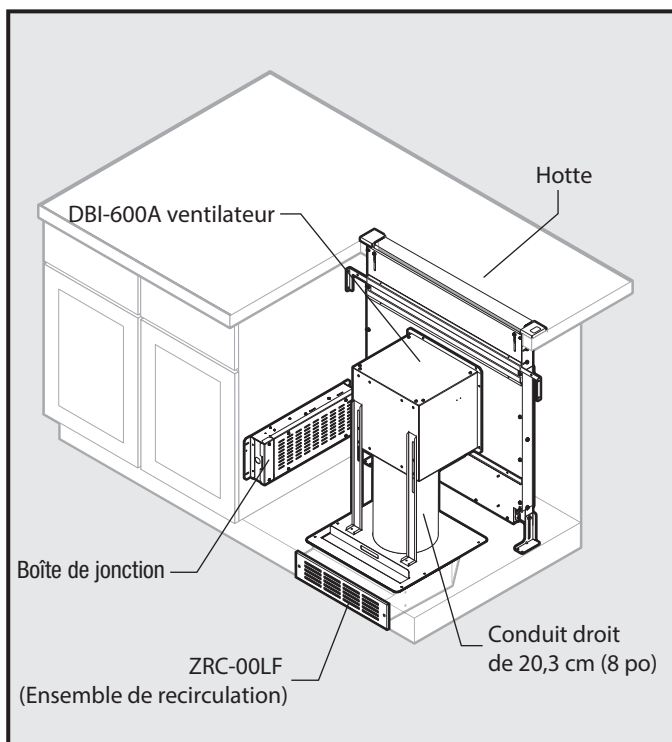


Configurations de conduit (suite)

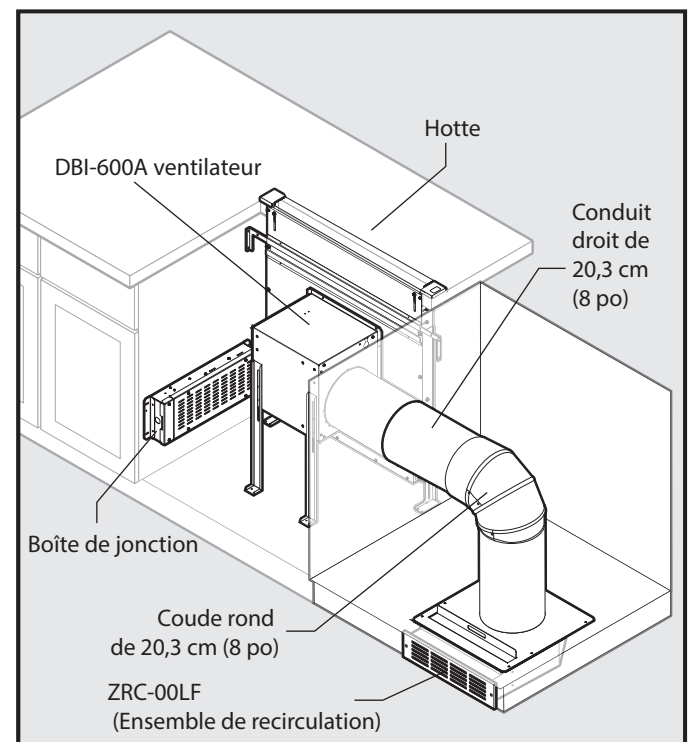
Évacuation avant avec ventilateur DBI-600A (à travers l'armoire)



Évacuation avant avec ventilateur DBI-600A et ensemble de recirculation

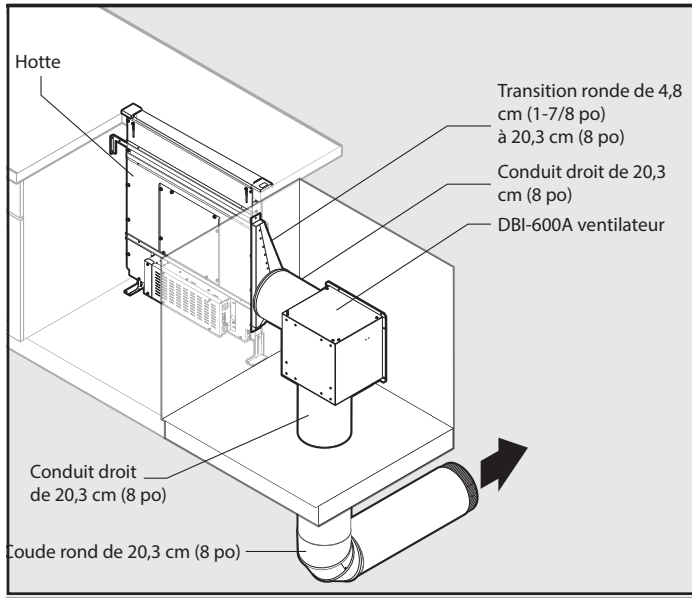


Évacuation avant avec ventilateur DBI-600A (à travers l'armoire) et ensemble de recirculation

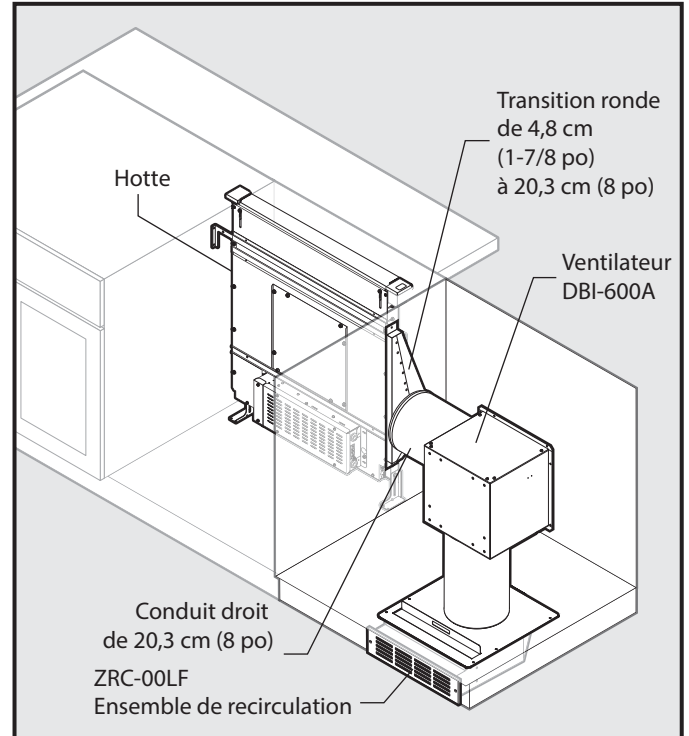


Configurations de conduit (suite)

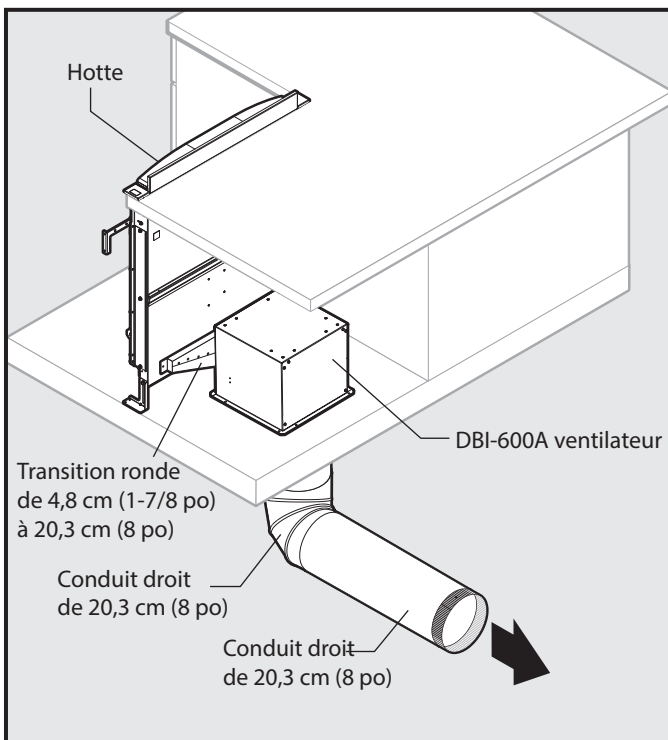
Évacuation latérale avec ventilateur DBI-600A



Évacuation latérale avec ventilateur DBI-600A et ensemble de recirculation

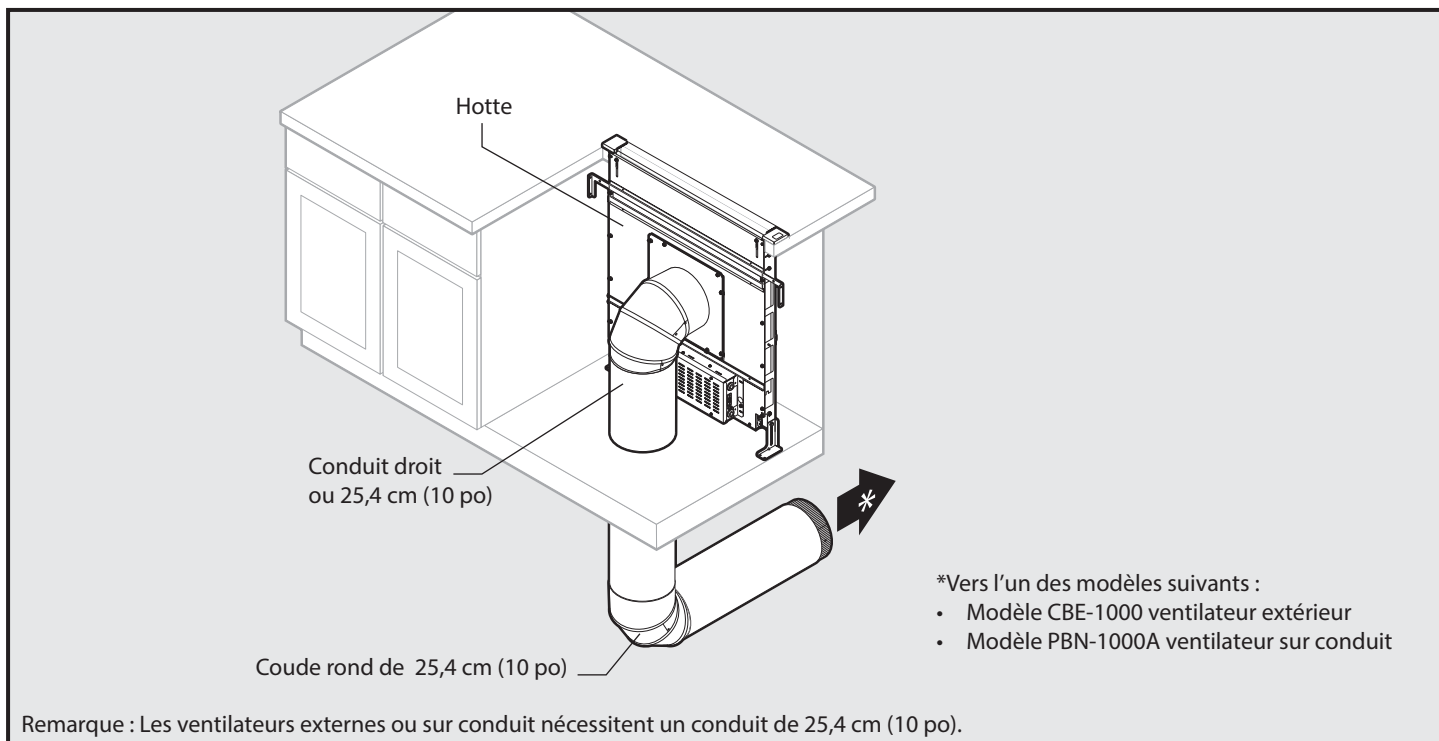


Évacuation arrière avec ventilateur DBI-600A

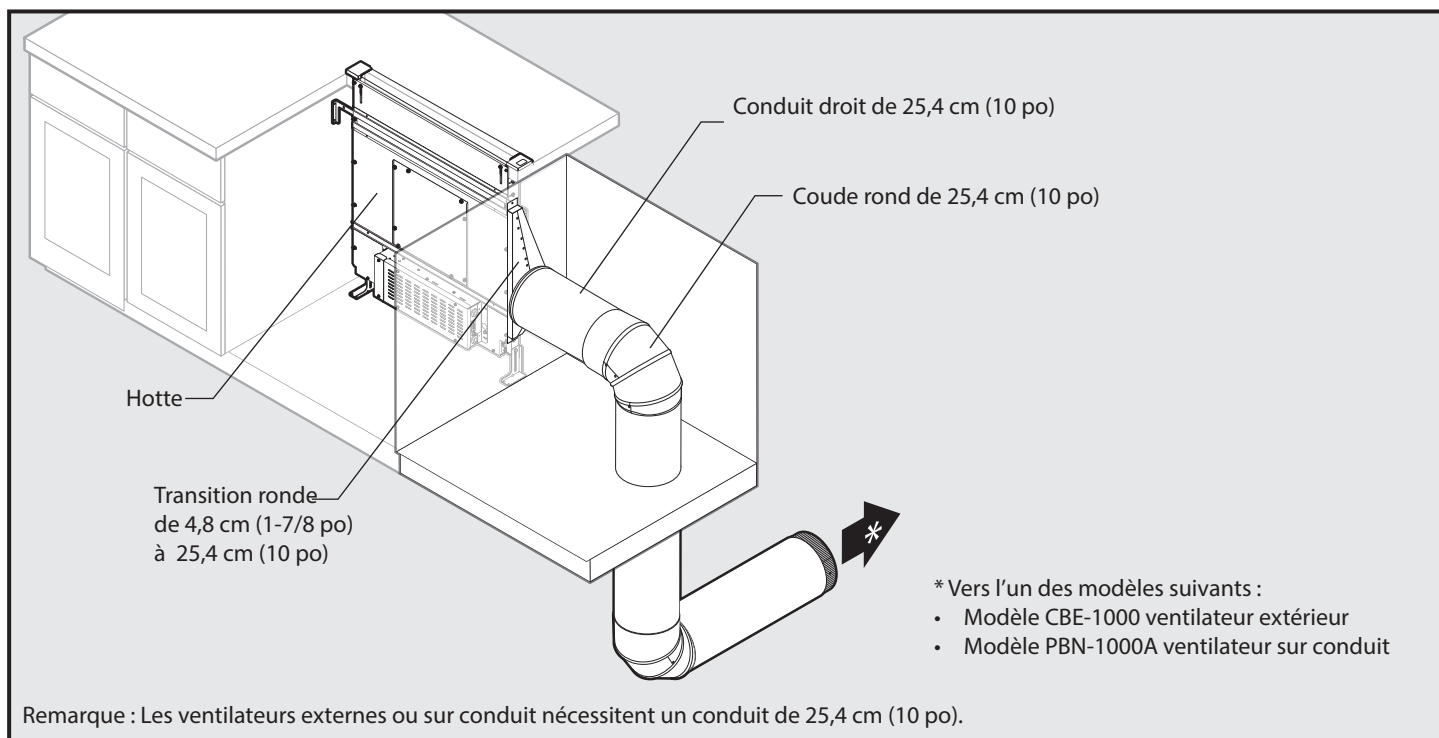


Configurations de conduit (suite)

Évacuation avant avec ventilateur sur la ligne

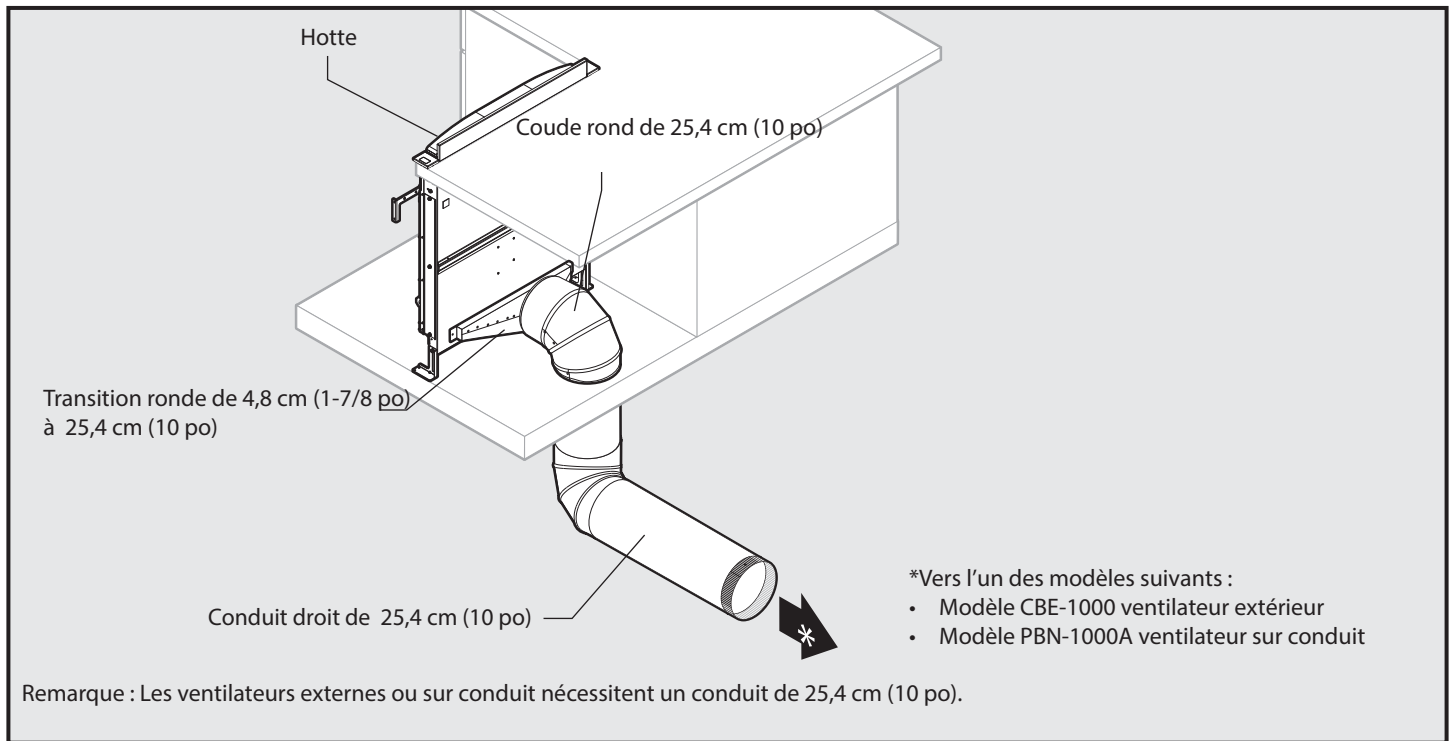


Évacuation latérale avec ventilateur sur la ligne

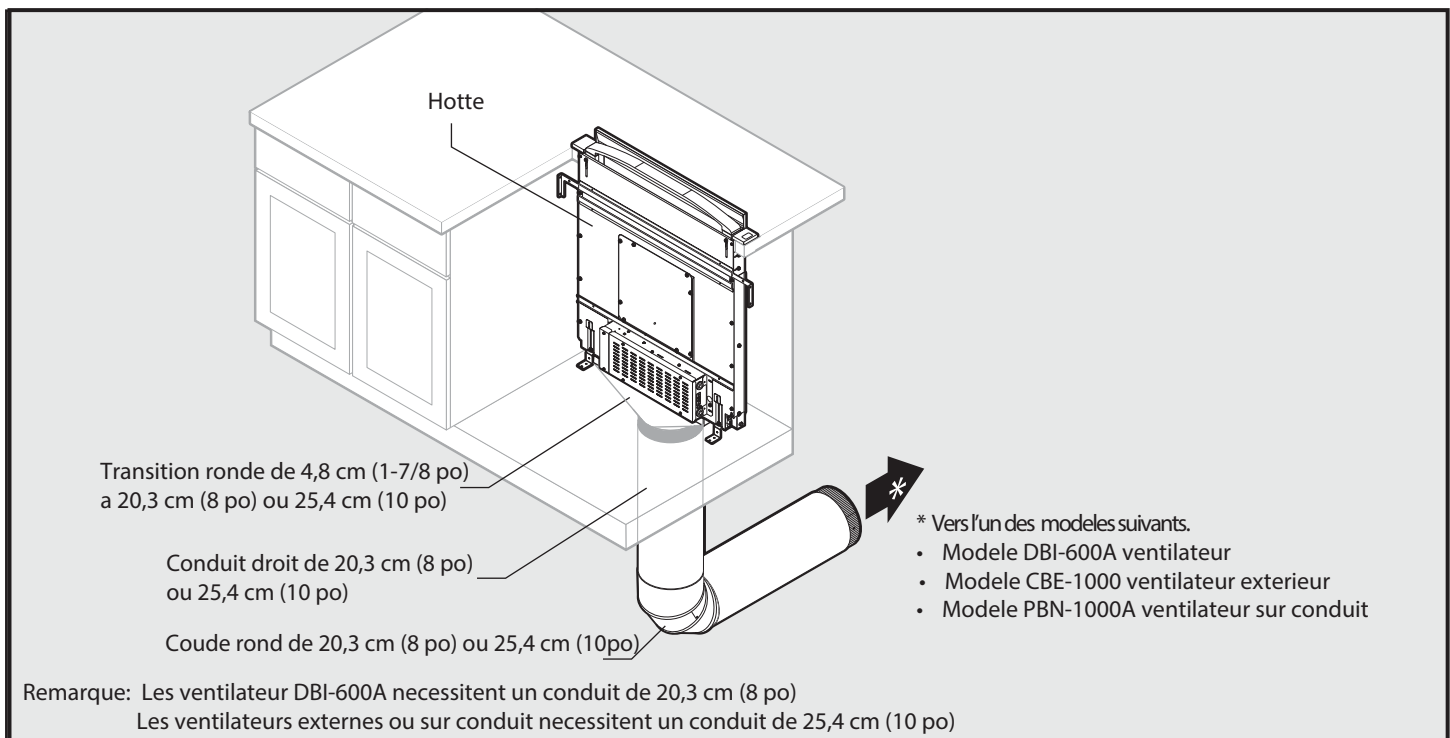


Configurations de conduit (suite)

Évacuation arrière avec ventilateur sur la ligne



Évacuation arrière avec ventilateur sur la ligne



Découpe de l'armoire



ATTENTION

AVANT DE DÉCOUPER LE TROU POUR LE CONDUIT DANS L'ARMOIRE, déterminez l'emplacement des solives de plancher, des poteaux de cloison, du câblage électrique ou de la plomberie pour détecter de possible interférence.

Utilisez les dimensions dans les illustrations pour planifier l'endroit et la manière pour installer le conduit d'accès à travers votre armoire. Généralement, un conduit rectangulaire de 4,8 cm x 48,3 cm (1 7/8 po x 19 po) sera utilisé à travers le côté gauche, droit et la partie arrière de l'armoire – alors que le conduit de 20,3 cm (8 po) sera utilisé à travers le plancher de l'armoire.

Pour l'évacuation à gauche, à droite ou à l'arrière : Laissez au moins 45,7 cm (18 po) pour la transition et le coude ou le ventilateur.

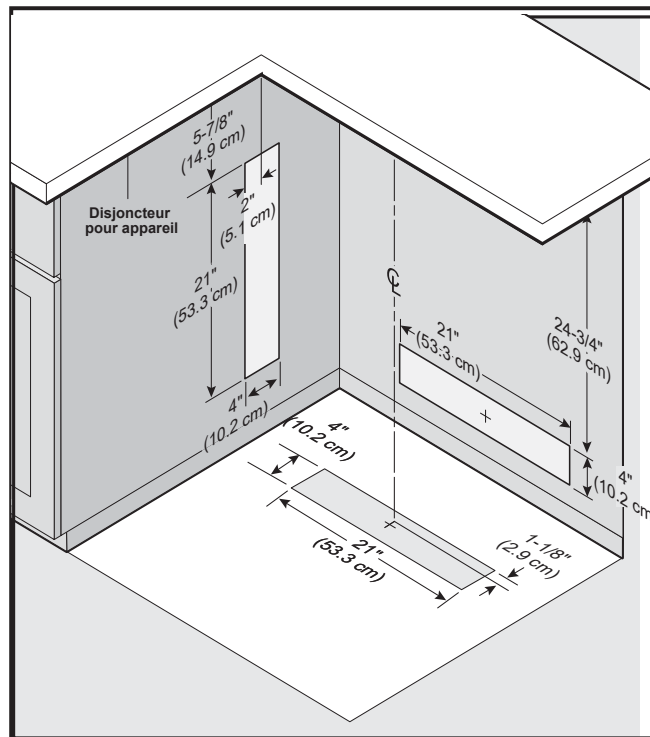
Pour l'évacuation à gauche/à droite : une armoire de 76,2 cm (30 po) de profond est recommandée afin d'aligner de manière appropriée le ventilateur Flex. Le ventilateur DBI-600A peut être installé sur le mur arrière de l'armoire ou sur une plateforme/charpente (non fourni) sur la base du plancher de l'armoire. (Voir les instructions du ventilateur DBI-600A).

Remarque : Le ventilateur DBI-600A peut être fixé uniquement à l'avant de la hotte de ventilation à aspiration descendante.

La profondeur de l'armoire doit être d'au moins 61 cm à 76,2 cm (24 à 30 po) – selon le type d'appareil de cuisson.

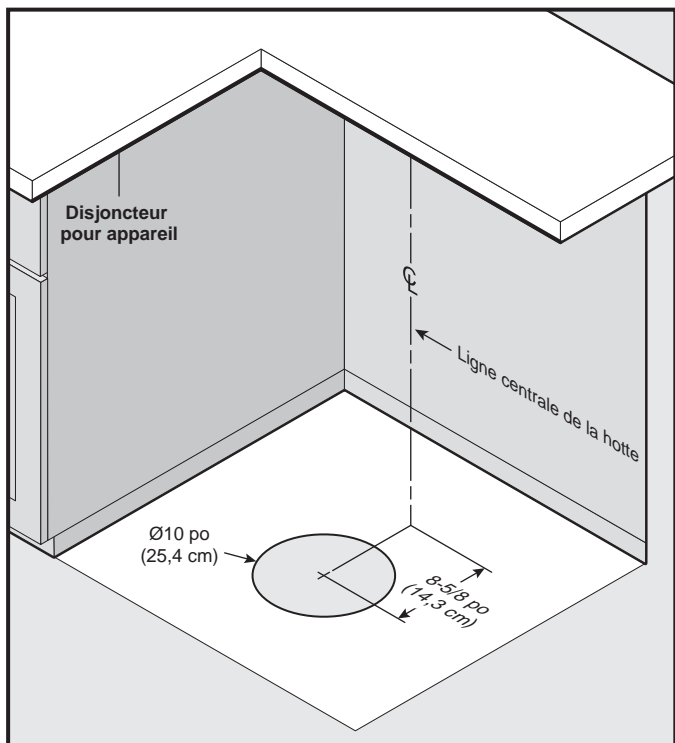
Si vous utilisez un ensemble de recirculation, consultez la section « Planifier l'installation » des instructions d'installation livrées avec l'ensemble.

Découpe pour conduit latéral, arrière, derrière



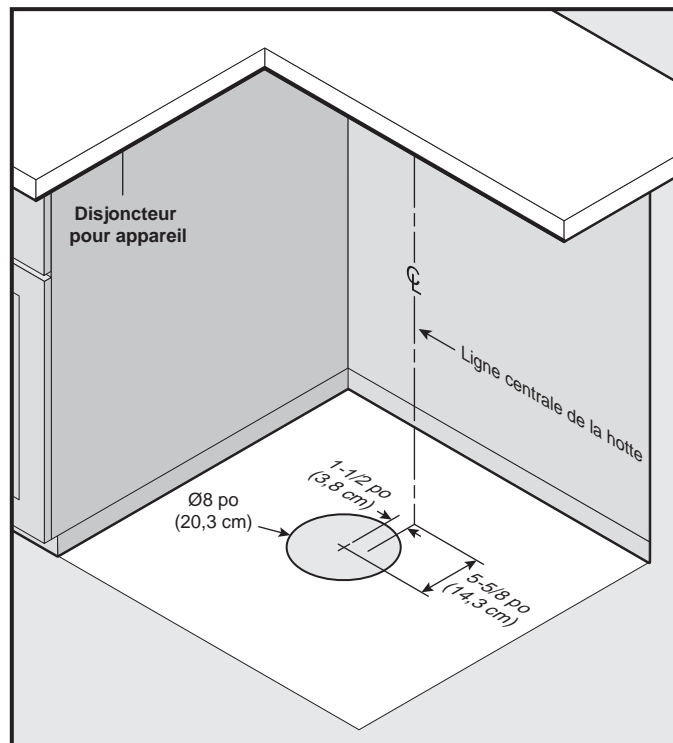
Découpe de l'armoire (suite)

25,4 cm (10po) Découpe de conduit pour ventilateur en ligne ou extérieur

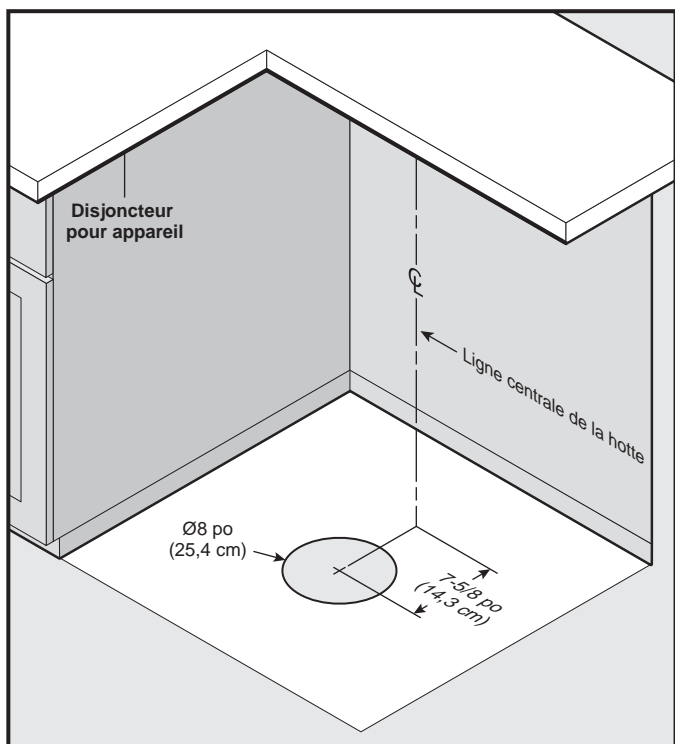


Les dimensions sont basées – coude rond 25,4 cm (10 po)

Découpe de conduit pour ventilateur DBI-600A

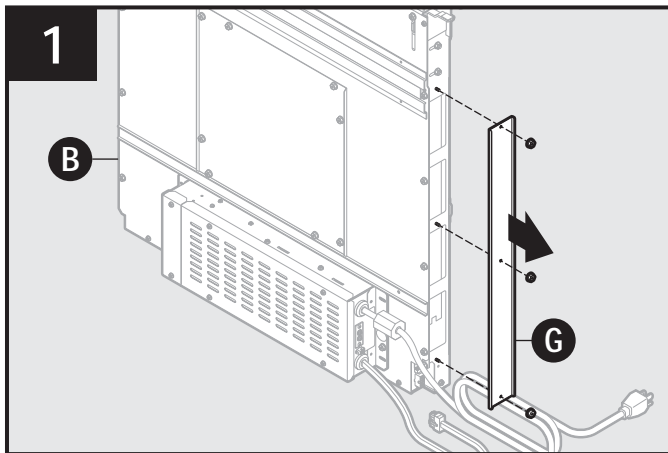


Conduit pour ventilateur DBI-600A – Découpe pour installation à distance sur conduit

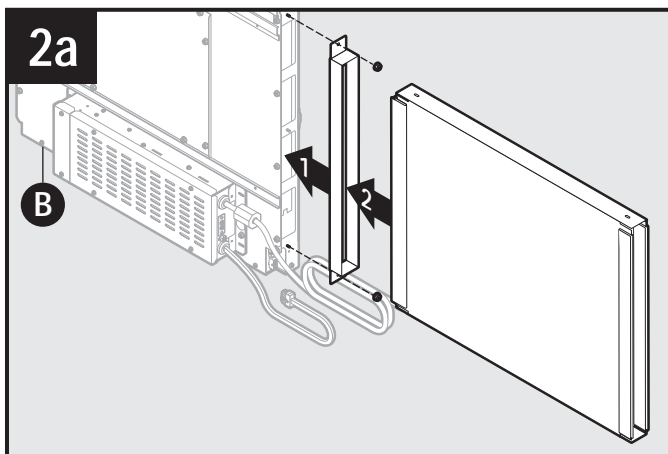


Les dimensions sont basées – coude rond 20,3 cm (8 po)

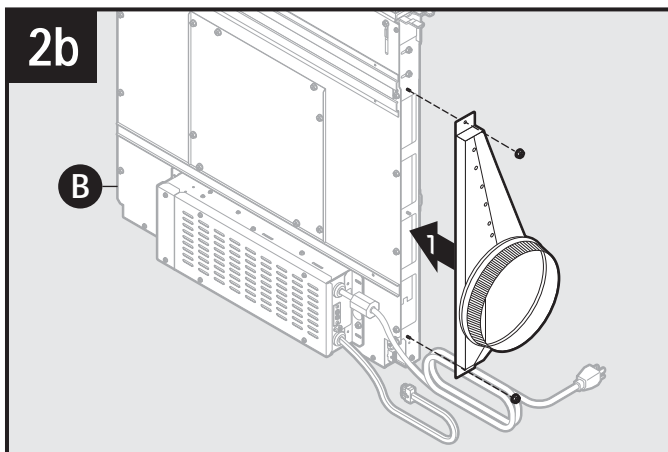
Conduit latéral ou arrière



Enlevez le couvercle d'éjection (G) du côté ou de l'arrière de la hotte (B)
Remarque : Enlevez uniquement un couvercle.

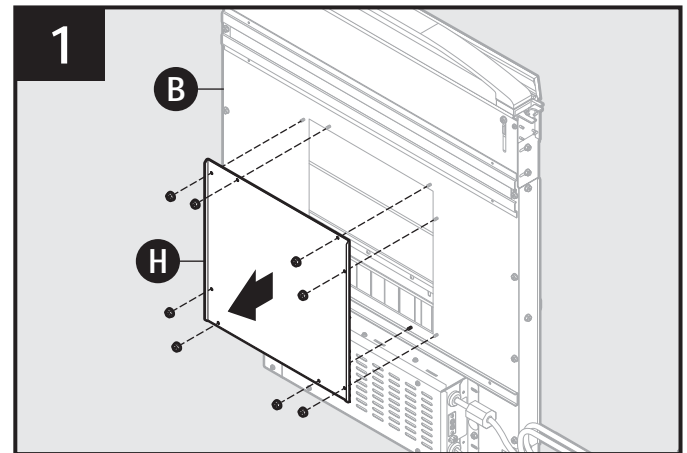


Installez une transition et un conduit rectangulaire à la hotte (B).

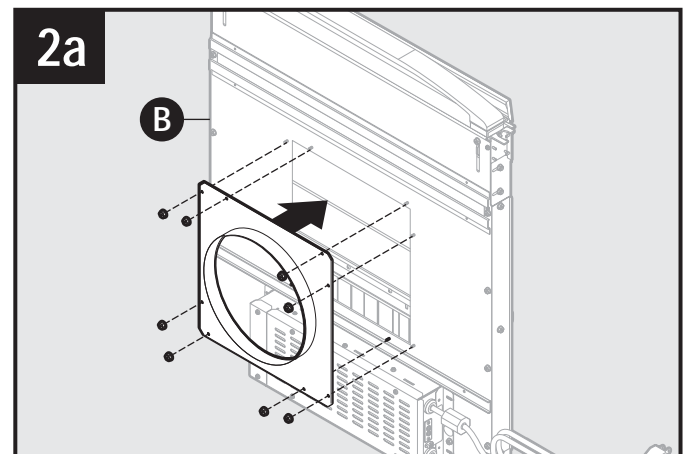


Installez une transition 4,8 cm (1 7/8 po) à 20,3 cm ou 25,4 cm (8 ou 10 po) à la hotte (B).

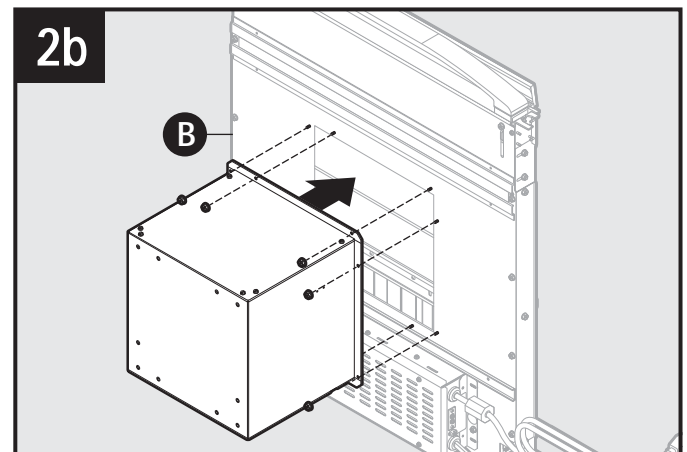
Conduit avant



Enlevez le couvercle du panneau avant (H) de la hotte à aspiration descendante (B).



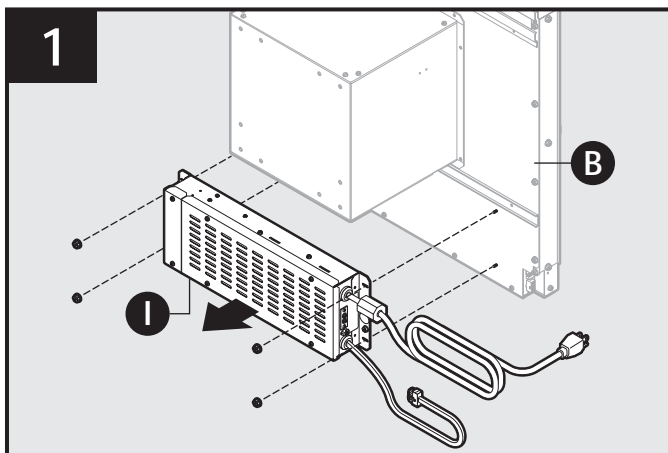
Installez une plaque adaptateur d'évacuation à distance 20,3 cm ou 25,4 cm (8 ou 10 po) à la hotte (B).



Installez le ventilateur DBI-600A à la hotte (B).

Remarque : Le ventilateur DBI-600A peut être installé avec le conduit à gauche, à droite ou vers le bas.

Panneau électrique installé à distance

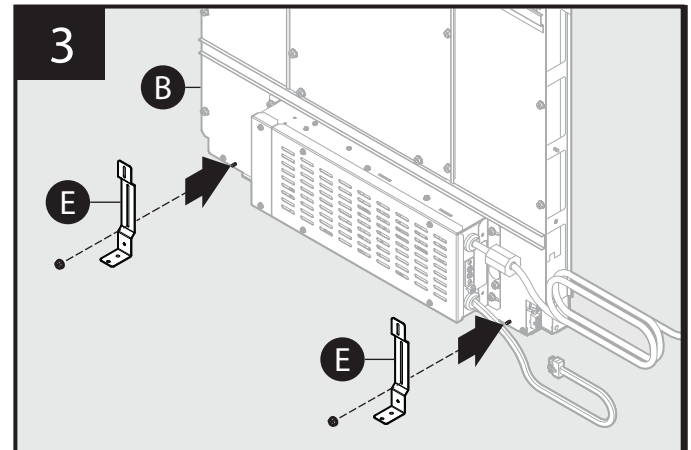


Enlevez le panneau électrique (I) de la hotte à aspiration descendante (B).

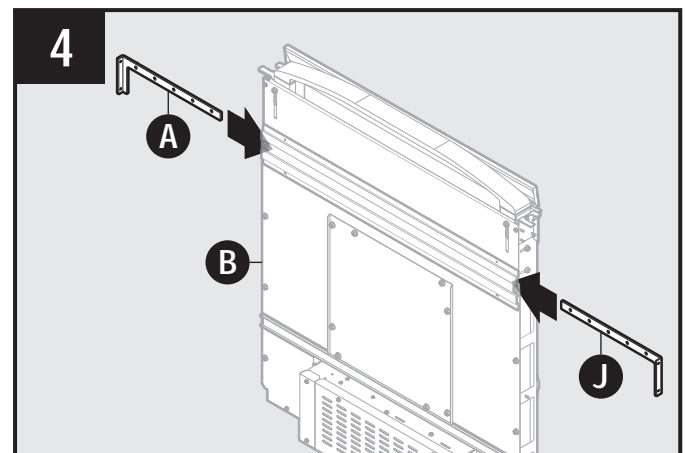
Remarque : L'option pour la plupart des installations. Requis pour les installations avec ventilateur DBI-600A lorsque l'évacuation est vers le bas.



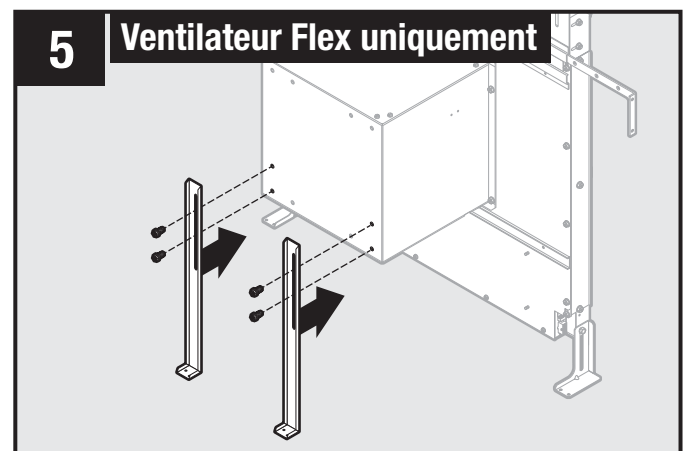
Assemblage final



Fixer les pieds a la hotte (B) a l'aide d'un ecrou pour chaque pied.

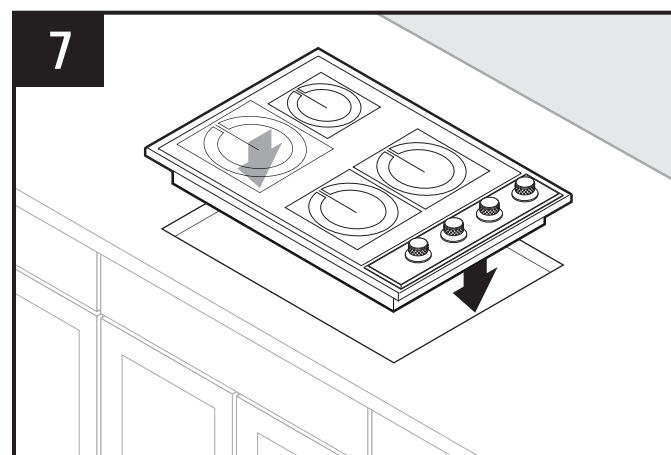
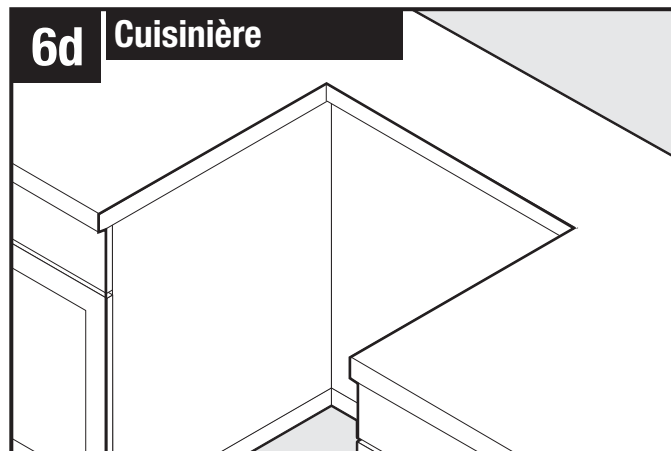
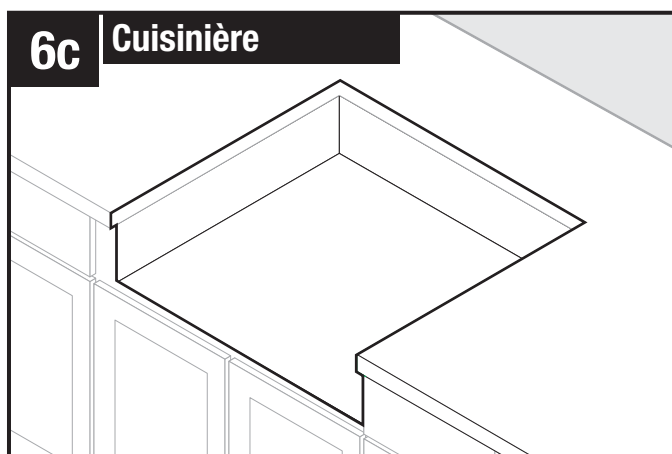
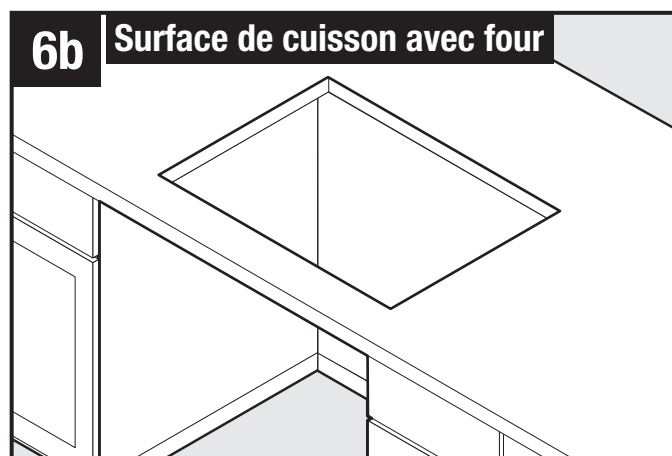
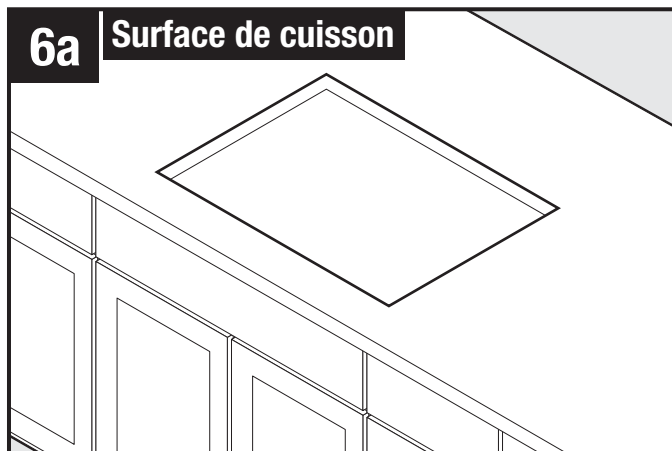


Glissez les supports de fixation supérieurs (A,J) dans les glissières latérales de la hotte (B).



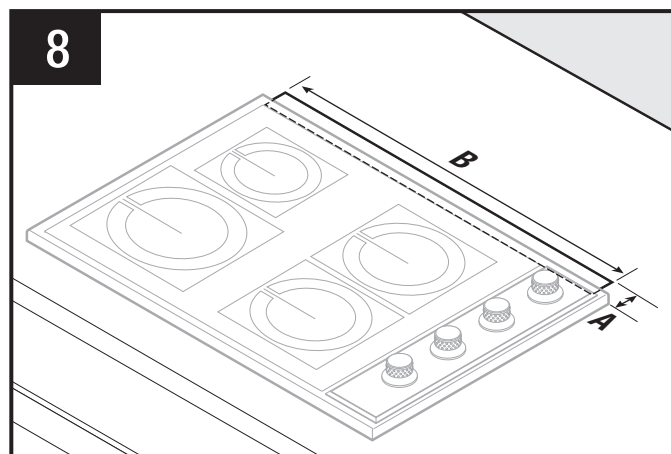
Si vous utilisez un ventilateur DBI-600A, fixez les pieds-support de ventilateur avec les vis fournies.

Découpe de l'ouverture du comptoir



Placez l'appareil de cuisson.

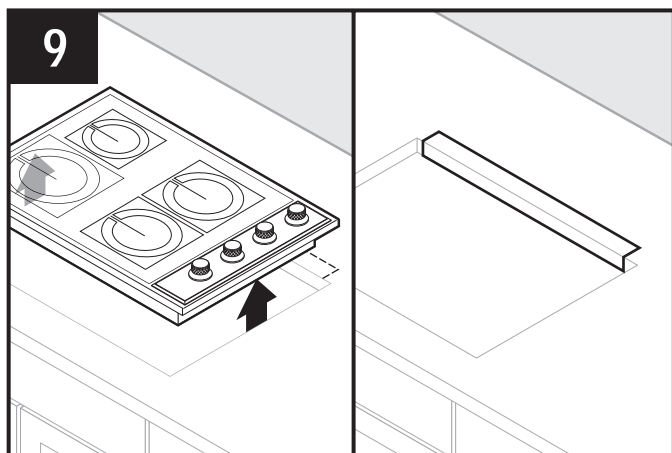
Remarque : Surface de cuisson illustrée.



Centrez le gabarit avec l'arrière de la surface de cuisson et marquez l'ouverture de la hotte.

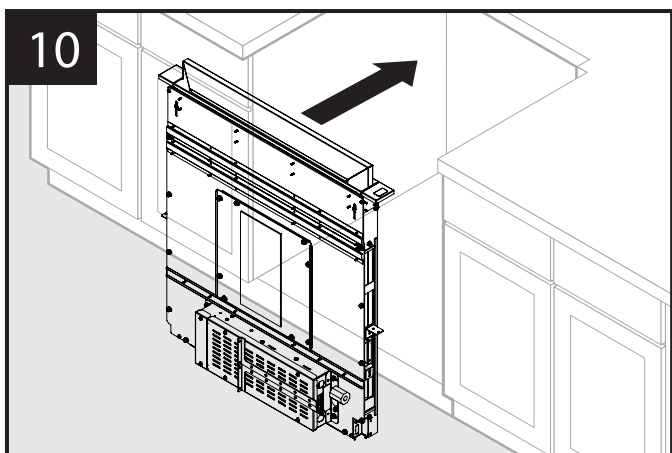
A = 4,7 cm (1-7/8 po) B = 68,5 cm (27-1/4 po) DLI-E30ASX,
83,7 cm (33-1/4 po) DLI-E36ASX

Découpe de l'ouverture du comptoir (suite)

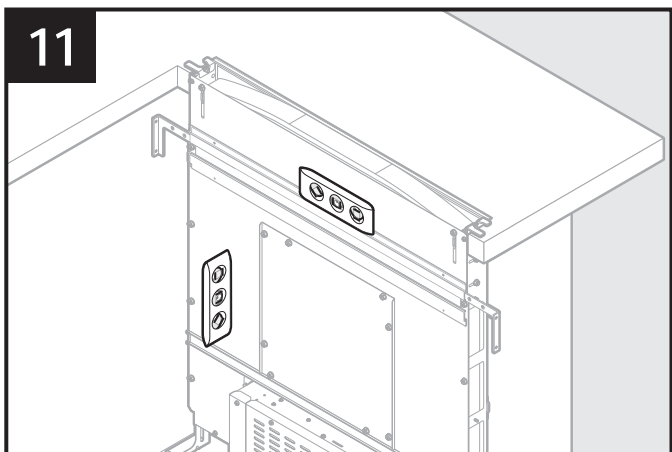


Enlevez la surface de cuisson/appareil de cuisson et découpez l'ouverture.

Installation du boîtier dans l'armoire



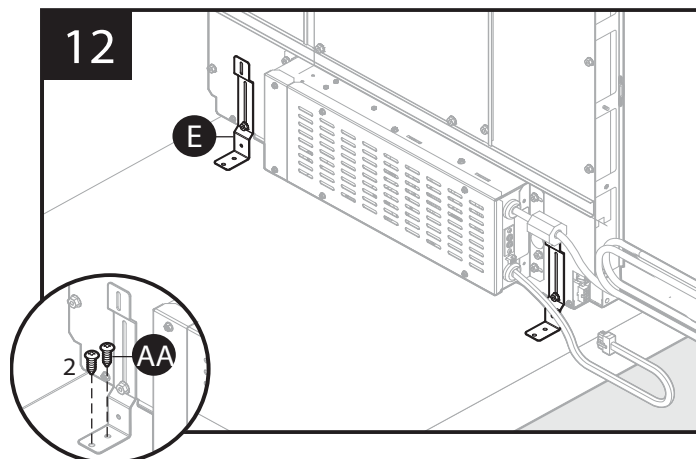
Placez le boîtier dans l'armoire.



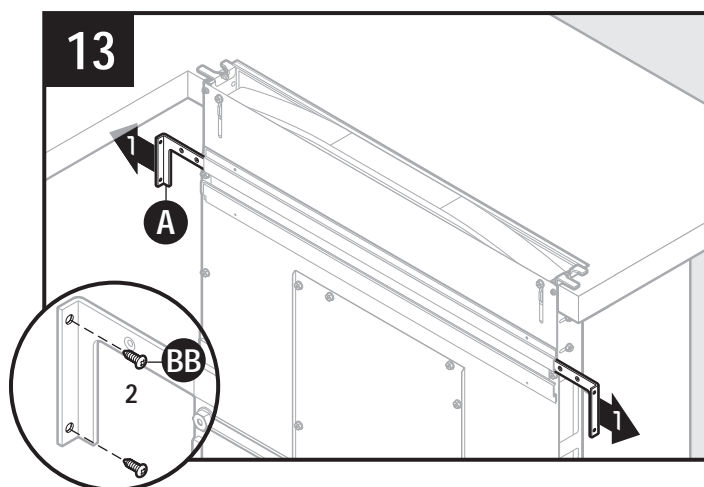
Mise à niveau du boîtier.

Remarque : Étapes 11 à 15, le côté droit de l'armoire n'est pas affiché pour plus de clarté.

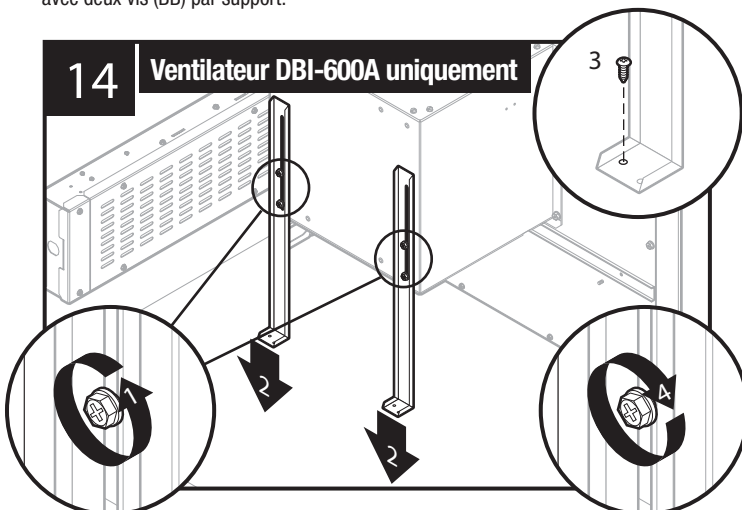
Installation du boîtier dans l'armoire (suite)



Fixer les pieds (E) au bas de l'armoire avec deux vis (AA) par pied. Serrer les vis hexagonales. **Remarque :** Si le fond de l'armoire est enlevé, utilisez des blocs pour créer un espace entre le plancher et les pieds-support.

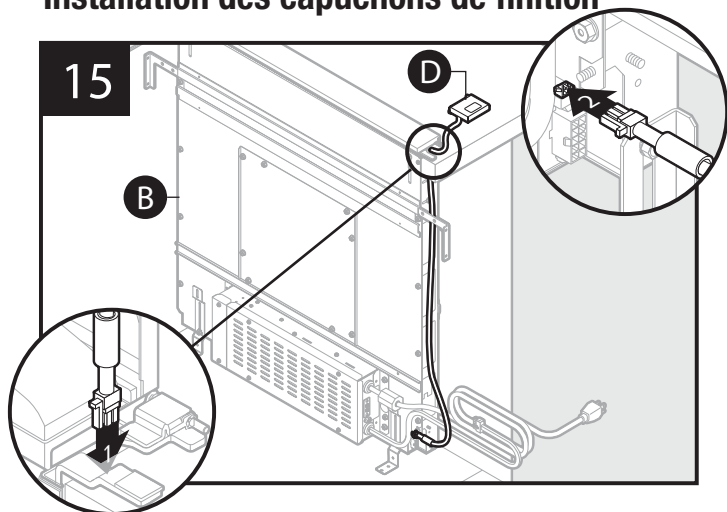


Prolongez les supports de fixation supérieurs (A) et fixez-les aux côtés de l'armoire avec deux vis (BB) par support.



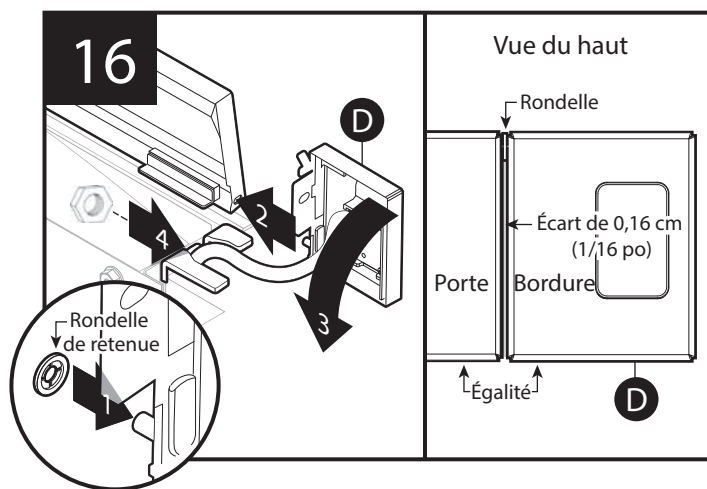
14 Ventilateur DBI-600A uniquement
Desserrez les quatre vis qui fixent les pieds-support du ventilateur au ventilateur DBI-600A. Prolongez les pattes et serrez sur le fond de l'armoire avec une vis à travers chaque support de fixation. Resserrez les quatre vis du ventilateur.

Installation des capuchons de finition



Ne branchez ou ne débranchez le CÂBLE DU BOUTON FLÈCHE VERS LE HAUT uniquement qu'après avoir coupé l'alimentation électrique principale au moins 60 secondes.

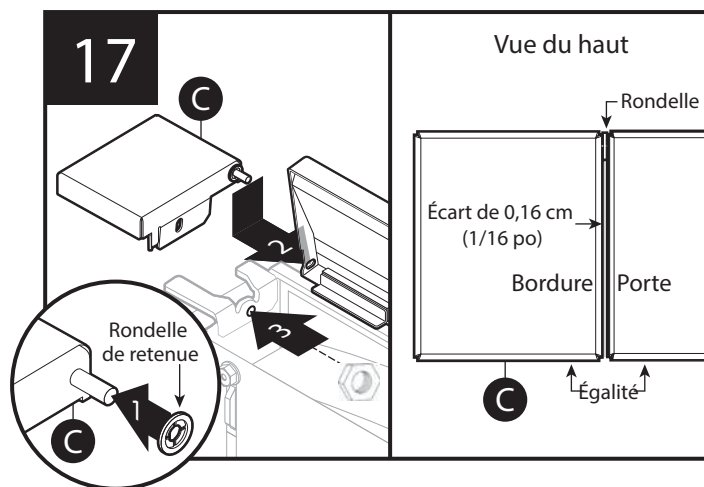
Insérez le faisceau de câbles avec le fil du bouton supérieur droit (D) dans l'ouverture sur le côté de la hotte (B). Insérez la fiche du faisceau de câbles du bouton supérieur (D) dans la prise dans la partie inférieure droite la hotte (B).



Positionnez le capuchon de finition droit (D) et commencez à visser. Ne serrez pas complètement la vis. Placez la rondelle de retenue sur le capuchon de finition droit. Insérez la goupille de charnière dans la fente de la porte battante.

Remarque : Assurez-vous que le capuchon est correctement appuyé contre la surface du comptoir, est égal avec la porte supérieure avec un espace de 1,6 mm (1/16 po) entre le capuchon et la porte supérieure et que les fils ne sont pas pincés.

Installation des capuchons de finition (suite)



Placez la rondelle de retenue sur le capuchon de finition gauche (C). Insérez la goupille de charnière dans la fente de la porte battante. Placez le capuchon de finition gauche et rabattez la porte. Alignez les capuchons de finition et procédez à l'assemblage complet en serrant à la main les vis des capuchons d'habillage.

Remarque : Assurez-vous que le capuchon est correctement appuyé contre la surface du comptoir et qu'il est égal avec la porte supérieure avec un espace de 1,6 mm (1/16 po) entre le capuchon et la porte supérieures.

Installation du système de conduit



AVANT DE DÉCOUPER LE TROU POUR LE CONDUIT DANS L'ARMOIRE, déterminez l'emplacement des solives de plancher, des poteaux de cloison, du câblage électrique ou de la plomberie pour détecter de possibles interférences.

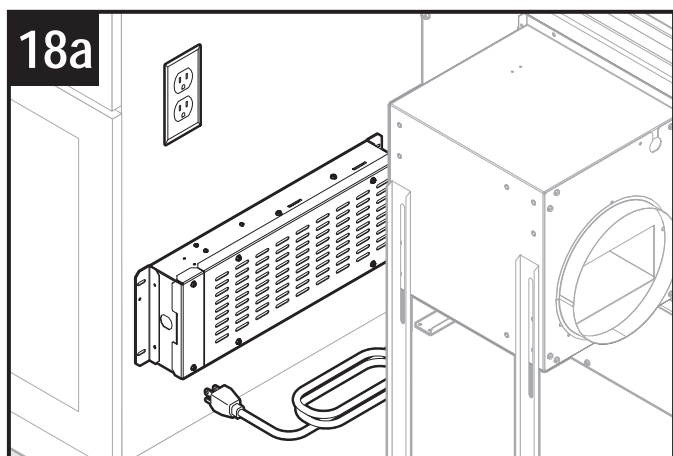
- Consultez la section Configurations de conduite dans la section Planification de ce document.
- Découpez le trou dans l'armoire en plus des trous dans le mur ou le plancher, le cas échéant.
- Installez le capuchon de toiture ou mural et installez les conduits en vous en allant vers l'armoire, en fixant toutes les conduits, les coudes et les transitions comme planifiés précédemment. Appliquez du ruban à conduits sur toutes les connexions de conduit pour assurer l'étanchéité et la solidité.
- Reliez le conduit (et la transition, si nécessaire) à la hotte.

Ventilateur DBI-600A uniquement

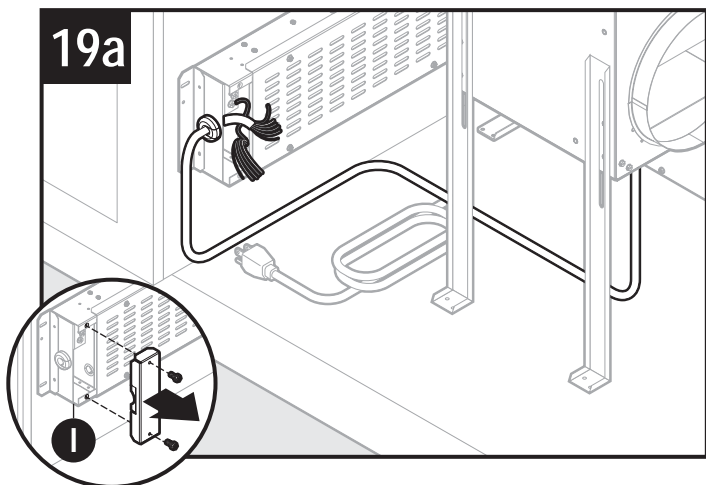
ATTENTION

Tout le câblage électrique doit être effectué par une ou des personnes qualifiées selon les normes et codes de constructions en vigueur.

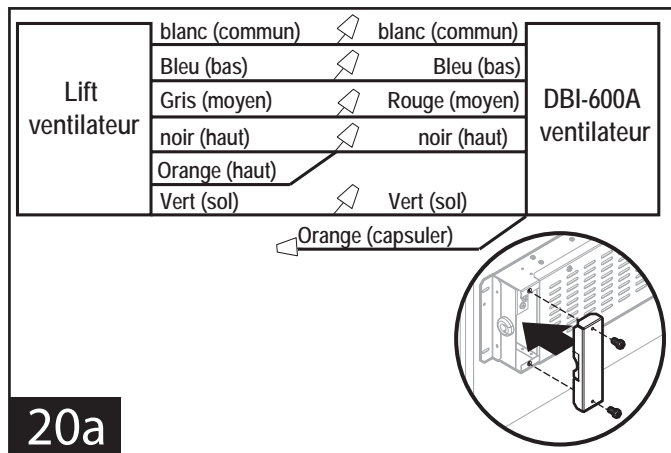
- Ce ventilateur à aspiration descendante utilise un ventilateur DBI-600A (vendu séparément) 3 ampères et nécessite un circuit 120 V CA, 60 Hz.
- L'unité possède un cordon d'alimentation de 76,2 cm (30 po) de long avec prise à 3 trois broches. Planifiez une prise de courant avec mise à la terre à proximité afin de permettre au cordon d'alimentation de l'unité de l'atteindre.
- Installez le boîtier électrique selon les codes de constructions locales.



Installez une boîte de câblage avec une prise de courant à 3 broches à distance qui permet la connexion du cordon d'alimentation principal de la hotte (passez un câble d'alimentation approprié et branchez-le à la prise).

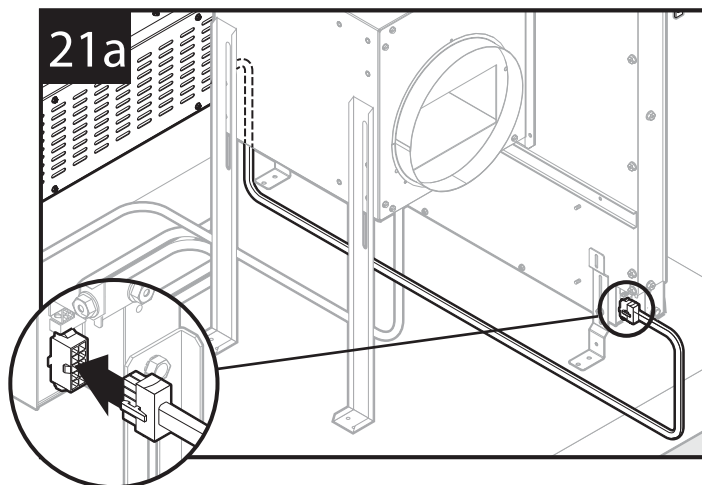


Enlevez le couvercle du panneau électrique (I) et passez le fil du ventilateur dans la boîte de câblage.

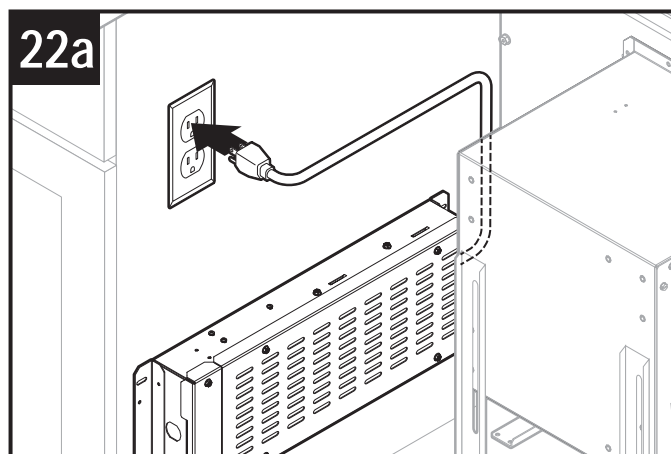


Branchez les fils du ventilateur aux fils du panneau électrique. Remplacez le couvercle du panneau électrique.

Remarque: le fil orange de la hotte est bouché et n'est pas connecté.



Branchez le câble du panneau électrique dans la prise inférieure sur le côté de la hotte



Branchez le cordon d'alimentation dans la prise de courant.

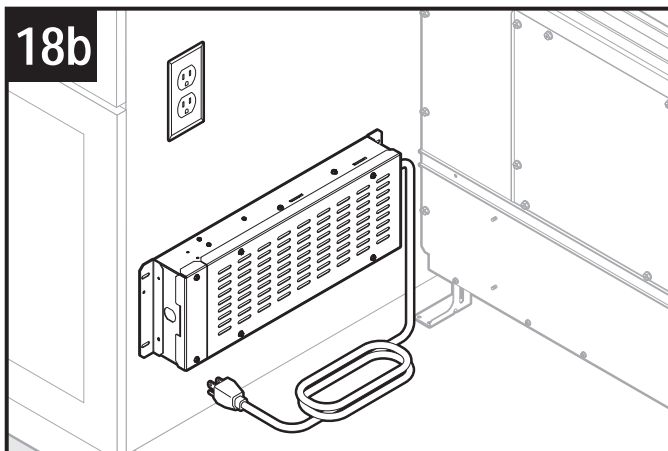
Remarque : Assurez-vous que le cordon d'alimentation est passé le plus loin possible de la chaleur générée par la surface de cuisson.

Ventilateur extérieur ou sur la ligne uniquement

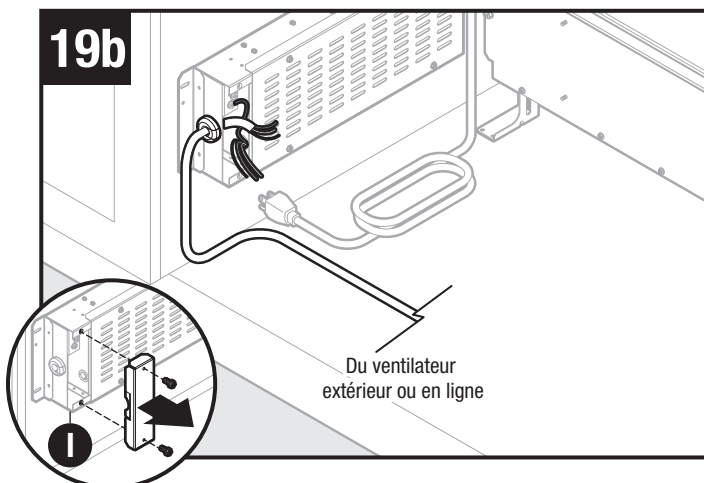
ATTENTION

Tout le câblage électrique doit être effectué par une ou des personnes qualifiées selon les normes et codes de constructions en vigueur.

- Si vous utilisez un ventilateur installé à distance sur le conduit (vendu séparément), le système fonctionne à 6 ampères (max.) et nécessite un circuit à 120 V CA, 60 Hz.
- L'unité possède un cordon d'alimentation de 76,2 cm (30 po) de long avec prise à 3 trois broches. Planifiez une prise de courant avec mise à la terre à proximité afin de permettre au cordon d'alimentation de l'unité de l'atteindre.
- Installez le boîtier électrique selon les codes de constructions locales.

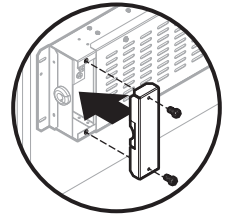


Installez une boîte de câblage standard avec une prise à 3 broches, à une distance qui permet de connecter le cordon d'alimentation de la hotte à aspiration descendante. Installez un câble d'alimentation approprié et branchez-le dans la prise de courant.



Enlevez le couvercle de la boîte de câblage et passez le fil du ventilateur dans la boîte de câblage.

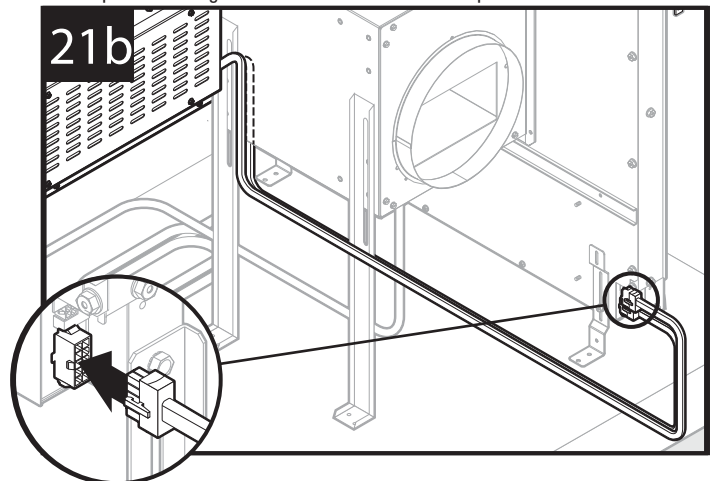
Lift hotte	blanc (commun)	↔	blanc (commun)	ventilateur à distance
	bleu (bas)	↔	rouge (bas)	
	Gris (moyen)	↔	Bleu (moyen)	
	Noir (haut)	↔	Noir (haut)	
	Orange (haut)	↔		
	Vert (sol)	↔	Vert (sol)	



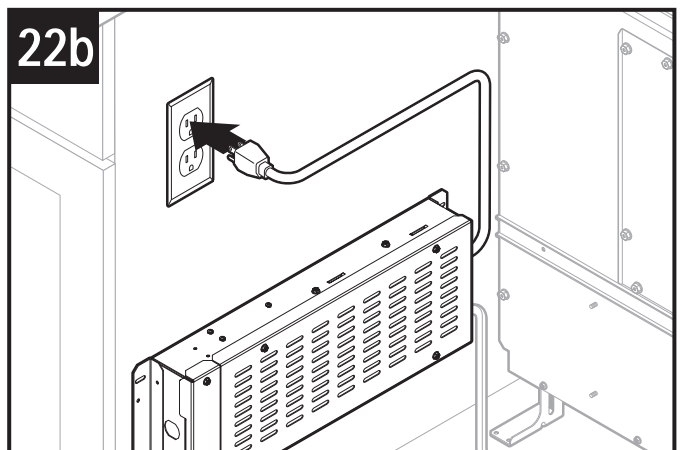
20b

Branchez les fils du ventilateur aux fils électrique dans la boîte de câblage. Remplacez le couvercle de la boîte de câblage.

Remarque: le fil orange de la hotte est bouché et n'est pas connecté.



Branchez le couvercle du panneau électrique dans la prise inférieure comme illustrée.



Branchez le cordon d'alimentation dans la prise de courant.

Remarque : Assurez-vous que le cordon d'alimentation est passé le plus loin possible de la chaleur générée par la surface de cuisson.

Installer l'appareil de cuisson

1. Alignez l'appareil de cuisson avec la hotte à aspiration descendante et fixez l'appareil en place selon les instructions de l'appareil.

Remarque : L'alignement précis de l'appareil de cuisson et de la hotte est nécessaire pour assurer qu'il n'y a pas d'interférence lorsque la grille de ventilation s'élève ou s'abaisse. Il devrait y avoir un espace de 0,8 mm à 1,6 mm (1/32 po à 1/16 po) entre l'arrière de la surface de cuisson et l'avant du couvercle de la hotte à aspiration descendante.

Panneau de commande et bouton flèche vers le haut

Ventilateur + Bouton

- Appuyer pour augmenter la vitesse du ventilateur.
- Une fois la vitesse maximale atteinte, appuyez à nouveau sur le bouton + pour éteindre le ventilateur.

Ventilateur - Bouton

- Appuyez sur pour diminuer la vitesse du ventilateur.
- Une fois la vitesse minimale atteinte, appuyez à nouveau sur le bouton pour éteindre le ventilateur.

Commande de lumière à 2 niveaux

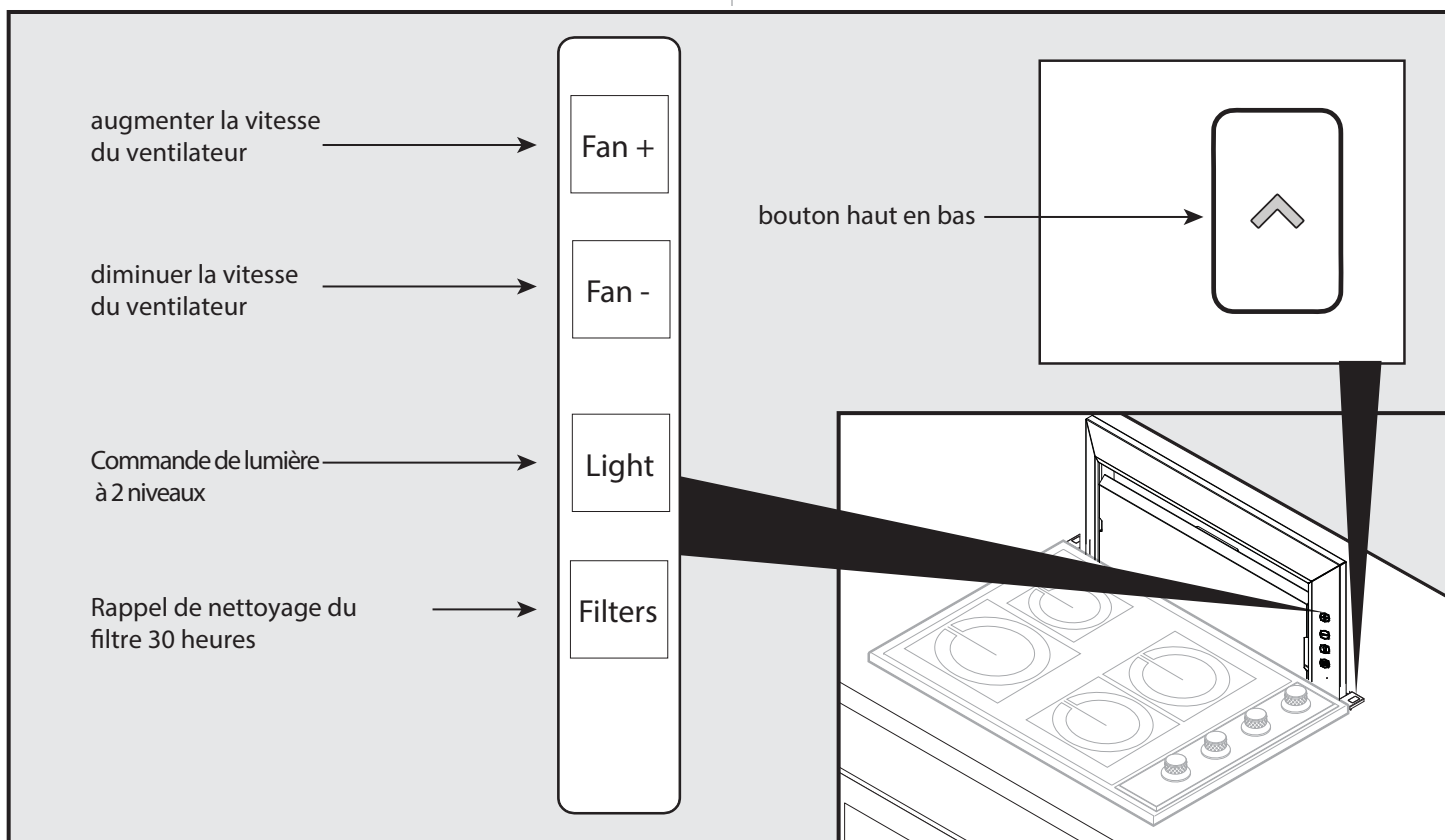
- Appuyez une fois pour obtenir le niveau de luminosité
- Appuyez deux fois sur pour obtenir le niveau lumineux.
- Appuyez trois fois pour éteindre la lumière.

Rappel de nettoyage de filtre après 30 heures

- Après 30 heures de fonctionnement du ventilateur, l'icône de nettoyage du filtre clignotera sans arrêt.
- Pour réinitialiser, touchez et maintenez enfoncer pendant 2 secondes ou plus. Le voyant s'éteindra.

Bouton haut en bas

- Pour rétracter la cheminée, appuyez sur le bouton de descente. Toutes les fonctions activées seront arrêtées.
- Appuyez sur le bouton de montée sur la bordure de droite pour faire monter la cheminée. Toutes les fonctions retourneront à leurs réglages d'origine.



Cuisson



Toujours, débranchez l'alimentation électrique avant de nettoyer ou de faire l'entretien de l'unité.

Toujours mettre en marche le ventilateur de la hotte à aspiration descendante avant de commencer la cuisson pour que le débit d'air s'active dans la cuisine. Laissez le ventilateur fonctionner pendant quelques minutes pour purifier l'air après avoir arrêté la surface de cuisson. Ceci permettra de conserver la cuisine plus propre et plus éclatante.

Il est recommandé d'utiliser les brûleurs arrière lorsque vous faites de la cuisson avec des casseroles hautes ou lorsque la méthode de cuisson génère une grande quantité de fumée ou de vapeur. Le fait d'utiliser les brûleurs arrière et d'utiliser l'unité à vitesse élevée augmentera la probabilité que toute la fumée et la vapeur soient évacuées de la pièce par la hotte à aspiration descendante.

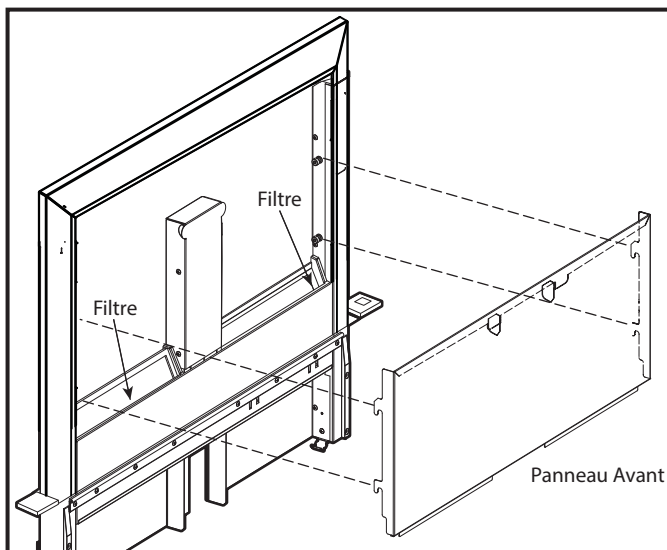
Nettoyage



Le fait de ne pas engager correctement les languettes peut faire coincer la cheminée ou l'empêcher de monter.

Pour nettoyer les filtres à graisses :

Soulevez le PANNEAU AVANT et sortez les **FILTRES À GRAISSES**. Lavez les filtres dans une solution à base de détergent doux ou au lave-vaisselle. Remettez en place les filtres et le panneau avant avant d'utiliser la hotte à aspiration descendante. Assurez-vous d'engager les **LANGUETTES** sur le panneau avant derrière les **PATTES** comme illustrées.



Le fait de ne pas engager correctement les languettes peut faire coincer la cheminée ou l'empêcher de monter.

Pour nettoyer l'intérieur de la cheminée :

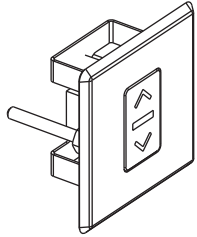

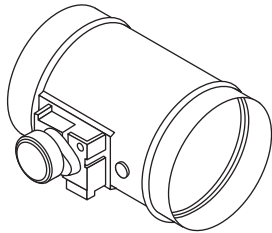
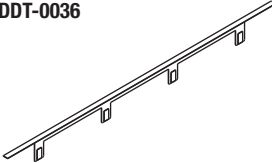
Soulevez le PANNEAU AVANT et sortez les **FILTRES À GRAISSES**. Utilisez un détergent doux. **NE PAS UTILISER DE LINGE ABRASIF, DE LAINE D'ACIER OU DE POUDRES À RÉCURER**. Remettez en place les filtres et le panneau avant, avant d'utiliser la hotte à aspiration descendante. Assurez-vous d'engager les **LANGUETTES** sur le panneau avant derrière **PATTES** comme illustrées.

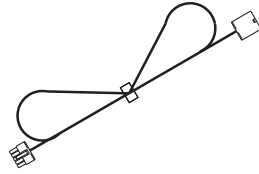
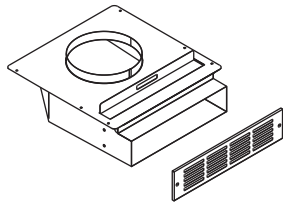
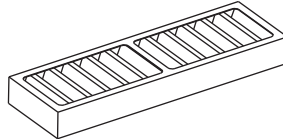
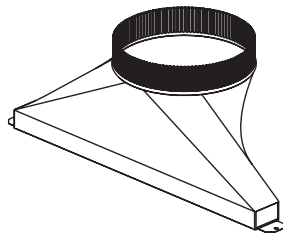
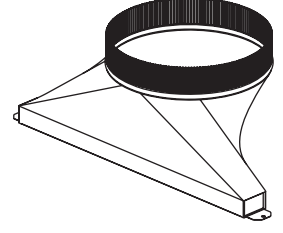
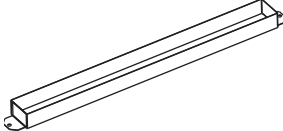
Entretien

Il pourrait être nécessaire d'enlever le système de ventilateur à aspiration descendante de l'armoire de manière à faire l'entretien des composantes comme le moteur du ventilateur ou le mécanisme de la grille de ventilation.

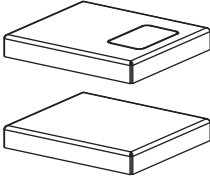
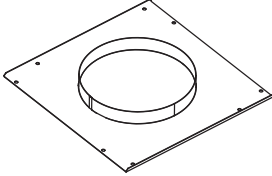
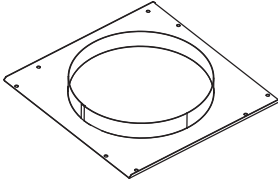
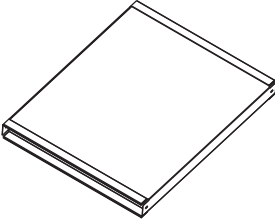
Débranchez l'alimentation de la surface de cuisson et enlevez-la en premier. Effectuez les étapes « **INSTALLATION DU BÔTIER DANS L'ARMOIRE** » à l'envers pour enlever la hotte à aspiration descendante de l'armoire.

Accessoires optionnels

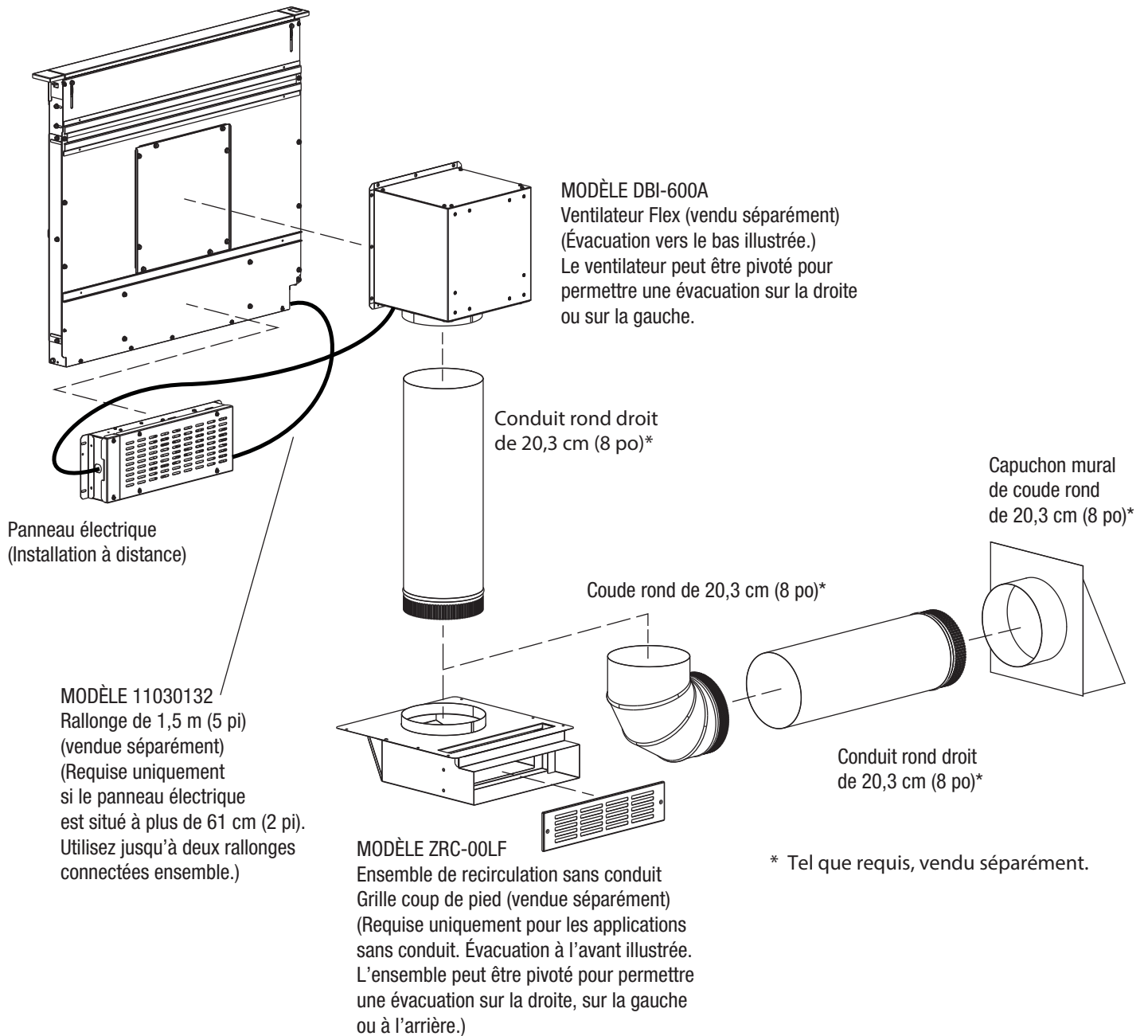
Accessoire	Description
Modèle DDA-0002 	<p>TÉLÉCOMMANDE CONTRÔLE VERS LE HAUT/BAS</p> <p>À utiliser lorsque vous ne pouvez pas atteindre le bouton MONTER/DESCENDRE sur la cheminée de la hotte.</p> <p>Peut être installé sur le dessus du comptoir, la partie avant de l'armoire ou sur la partie latérale de l'armoire d'un îlot. Taille de la découpe : 5,7 cm P (2 1/4 po) x 5 cm (2 po) L</p> <p>Ne peut être utilisé à des endroits où la télécommande perturbera la cuisson, à des endroits où les casseroles peuvent être placées ou à des endroits où des liquides chauds peuvent être renversés.</p> <p>(Le câble de la télécommande se branche avec un connecteur à 6 broches)</p>
MODÈLES DDS-0030 DDS-0036 	<p>ENSEMBLE D'ÉTANCHÉITÉ POUR SURFACE DE CUISSON AU GAZ</p> <p>Utilisation recommandée pour toutes les surfaces de cuisson au gaz. Comprend le support de bordure et le joint d'étanchéité de la bordure.</p>
MODÈLES MUA008A MUA010A 	<p>REGISTRE DE TIRAGE D'AIR D'APPOINT</p> <p>Utilisez celui-ci pour fournir de l'air d'appoint (au besoin) afin de conserver le confort de la maison en permettant à la hotte de ventilation à aspiration descendante de fonctionner à des niveaux optimaux.</p>
MODÈLES DDT-0030 DDT-0036 	<p>ENSEMBLE DE BORDURES POUR CUISINIÈRE</p> <p>S'utilise avec une cuisinière amovible – où il y a un espace entre l'arrière de la cuisinière et la hotte à aspiration descendante.</p>

Accessoire	Description
MODÈLE 11030132 	<p>CÂBLE DE RALLONGE – 1,5 M (5 PI)</p> <p>S'utilise pour installer le panneau électrique à distance. Permet de prolonger le câble du panneau électrique de 1,5 m (5 pi).</p>
MODÈLE ZRC-00LF 	<p>ENSEMBLE DE RECIRCULATION SANS CONDUIT</p> <p>S'utilise lorsqu'il est impossible d'installer le coup de pied ou la base de l'armoire et se fixe directement au modèle de ventilateur DBI-600A à l'aide d'un conduit rond 20,3 cm (8 po). L'ensemble peut être tourné de façon à ce que l'évacuation ne soit pas directement à vos pieds. Comprend un filtre de recirculation et une plaque décorative.</p>
MODÈLE ZOF-C006 	<p>FILTRE DE RECIRCULATION DE REMPLACEMENT</p> <p>Filtre de remplacement pour ensemble de recirculation sans conduit ZRC-00LF. S'utilisent pour capturer de manière efficace les contaminants provenant de la cuisson.</p>
MODÈLE AK00070 	<p>TRANSITION DE 4,8 CM X 48,3 CM (1-7/8 PO X 19 PO) À 20,3 CM (8 PO) ROND</p> <p>Transition rectangulaire à 20,3 cm (8 po) rond pour évacuation à gauche, à droite ou vers l'arrière – utiliser avec ventilateur Flex modèle PF6. Peut être fixé à une hotte à aspiration descendante ou un conduit rectangulaire (AK00072). Comprend la fixation en S pour faciliter l'installation.</p>
MODÈLE AK00071 	<p>TRANSITION DE 4,8 CM X 48,3 CM (1-7/8 PO X 19 PO) À 20,3 CM (10 PO) ROND</p> <p>Transition rectangulaire à 25,4 cm (10 po) rond pour évacuation à gauche, à droite ou vers l'arrière – utiliser avec ventilateur extérieur. Peut être fixé à une hotte à aspiration descendante ou un conduit rectangulaire (AK00072).</p>
MODÈLE AK00072 	<p>ADAPTATEUR RECTANGULAIRE POUR CONDUIT DE 4,8 CM X 48,3 CM (1-7/8 PO X 19 PO)</p> <p>S'utilise pour connecter un conduit rectangulaire de 4,8 cm x 48,3 cm (1-7/8 po x 19 po) directement à la hotte à aspiration descendante lors de l'utilisation d'une évacuation latérale ou arrière.</p>

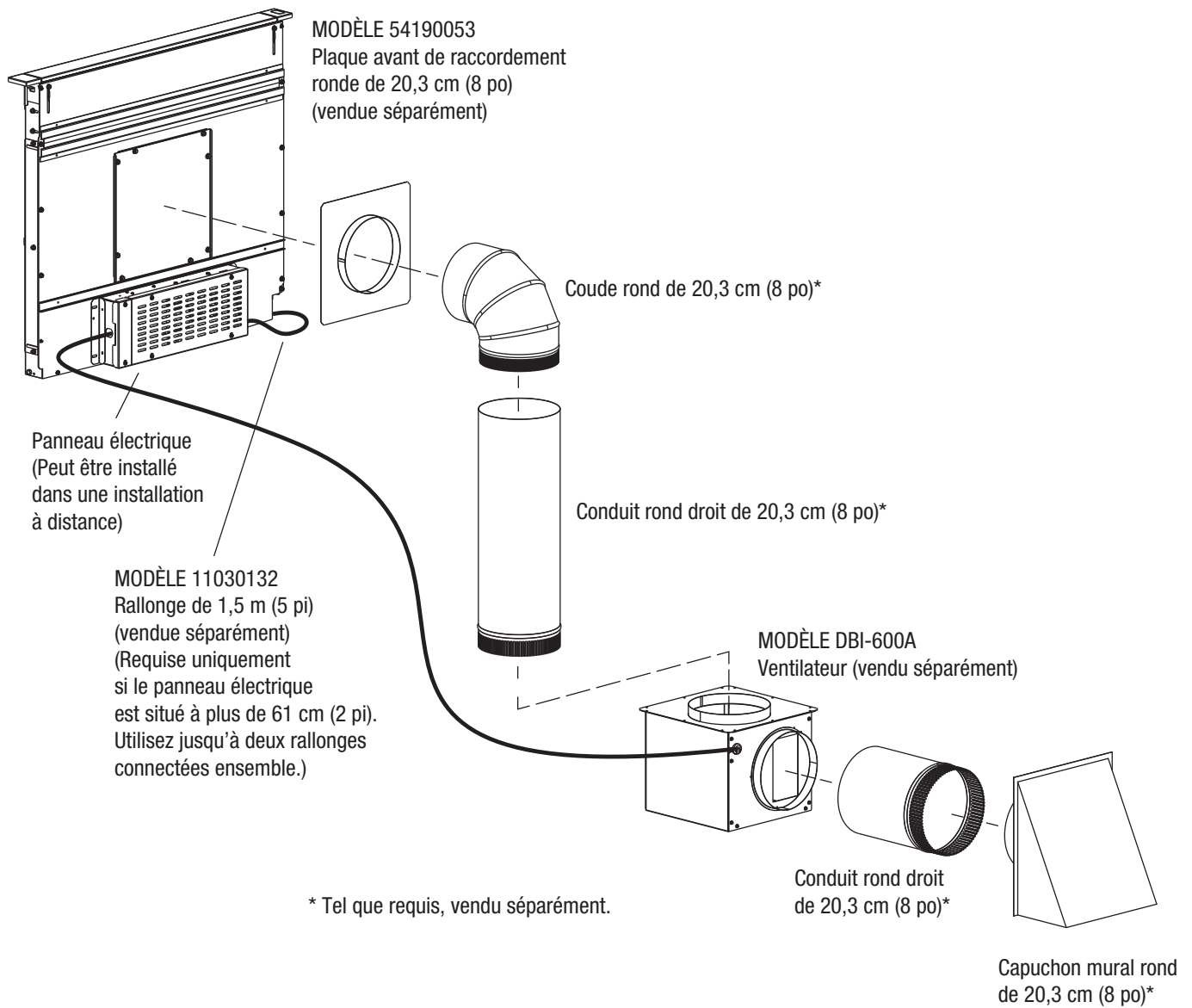
Accessoires optionnels (suite)

Accessoire	Description
MODÈLE DDE-0001 	CAPUCHON DE BORDURE POUR ÉLARGIR + 2,5 CM (1 PO) - GAUCHE ET DROITE S'utilise à gauche et à droite pour augmenter la largeur totale de la bordure de 2,5 cm (1 po)
MODÈLE 54190053 	PLAQUE DE RACCORDEMENT POUR PANNEAU AVANT – RONDE 20,3 CM (8 PO) S'utilise aux endroits où le conduit rond 20,3 (8 po) ou un coude se raccorde à l'avant du coffre d'air (modèle DBI-600A installation d'un ventilateur à distance sur la ligne de conduit).
MODÈLE 54190054 	PLAQUE DE RACCORDEMENT POUR PANNEAU AVANT – RONDE 25,4 CM (10 PO) S'utilise aux endroits où le conduit rond 25,4 cm (10 po) ou un coude se raccorde à l'avant du coffre d'air (installation d'un ventilateur sur la ligne de conduit ou extérieur).
MODÈLE AK00080 	CONDUIT RECTANGULAIRE – 61 CM (2 PI) SECTION [4,8 CM X 48,3 CM (1-7/8 PO X 19 PO)] Fabrication d'acier galvanisé.

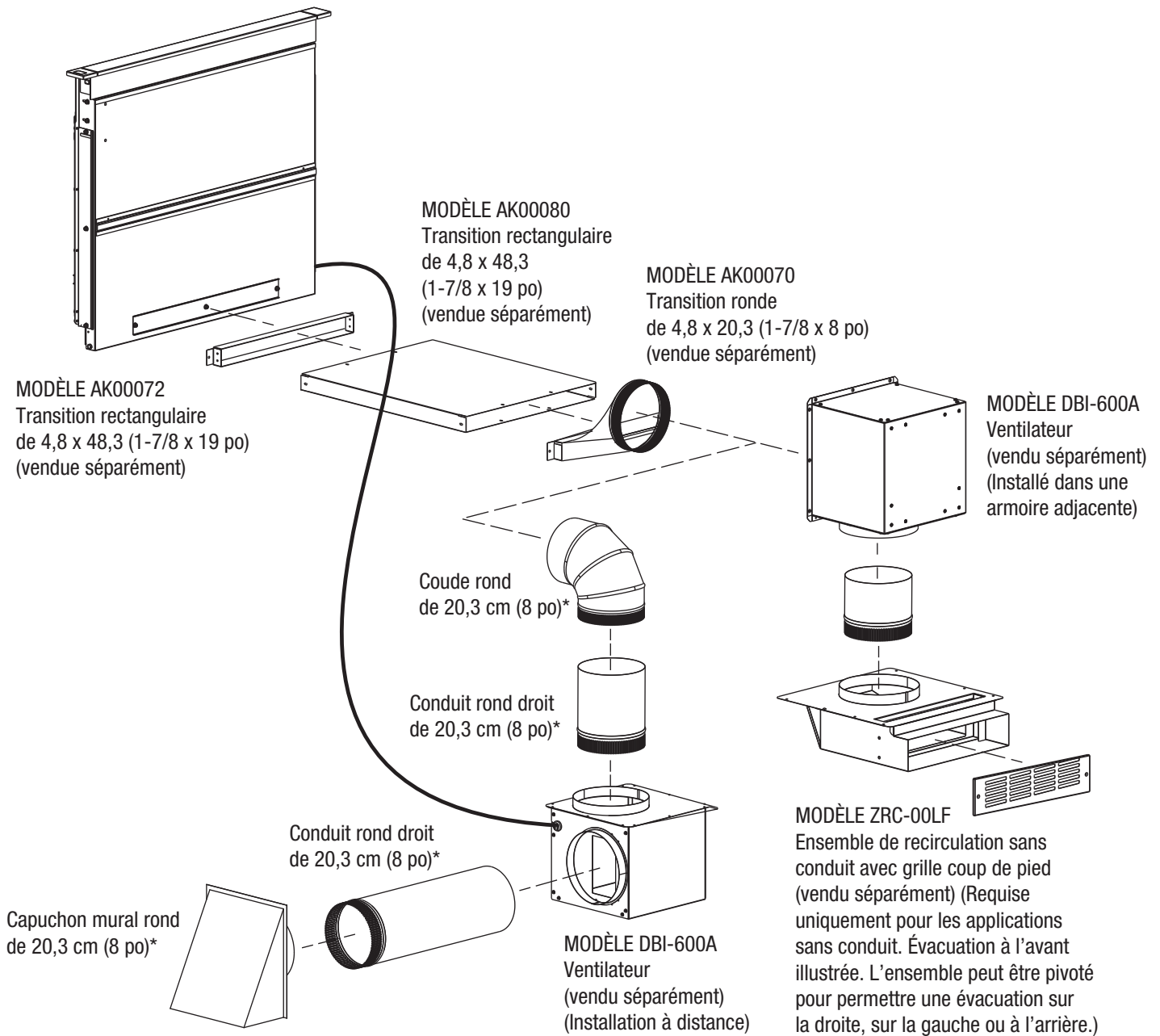
Ventilateur interne (DBI-600A) installé à l'avant de la hotte à aspiration descendante



Ventilateur interne (DBI-600A) installation a distance - evacuation avant

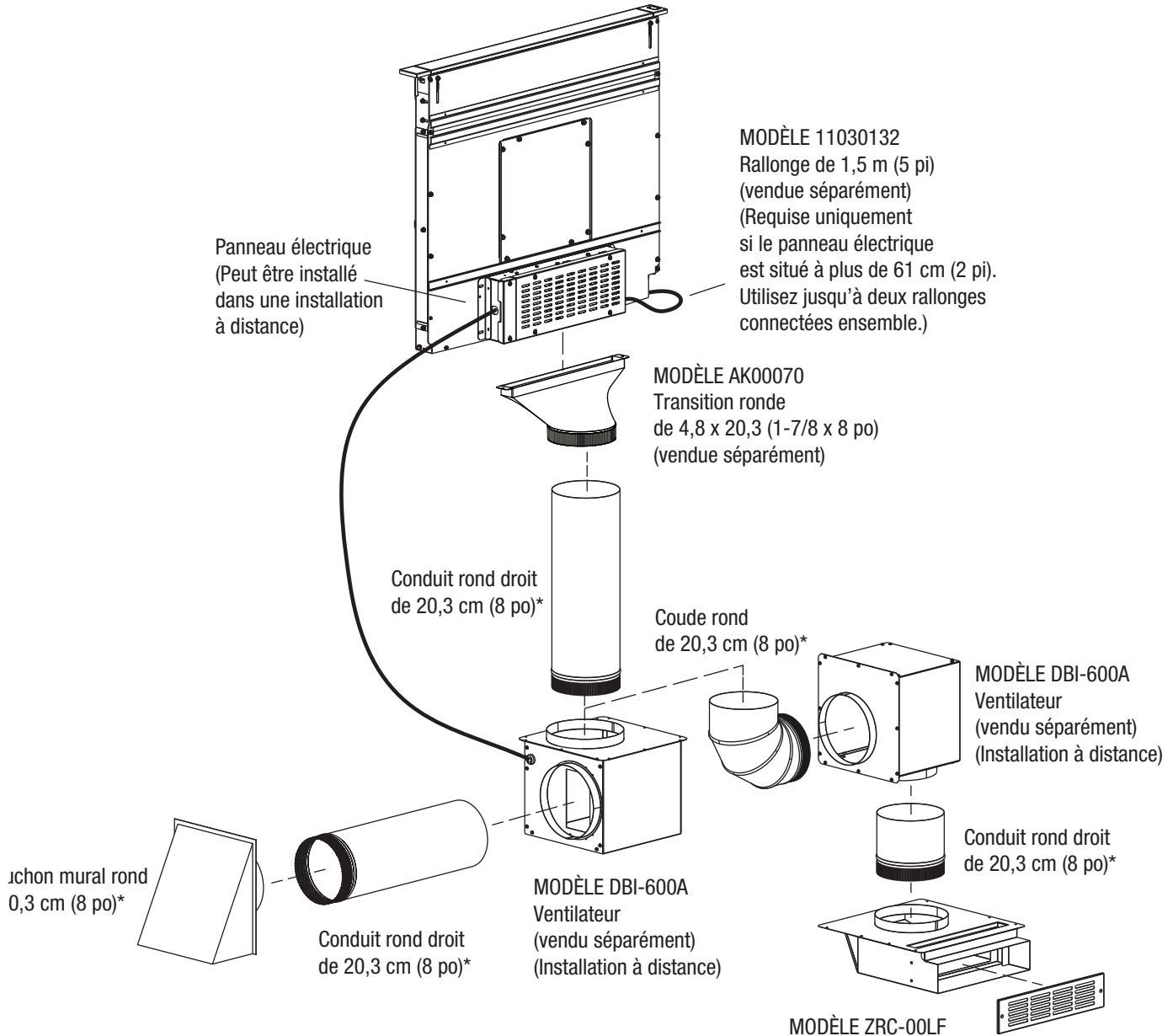


Ventilateur interne (DBI-600A) installation a distance - evacuation arriere



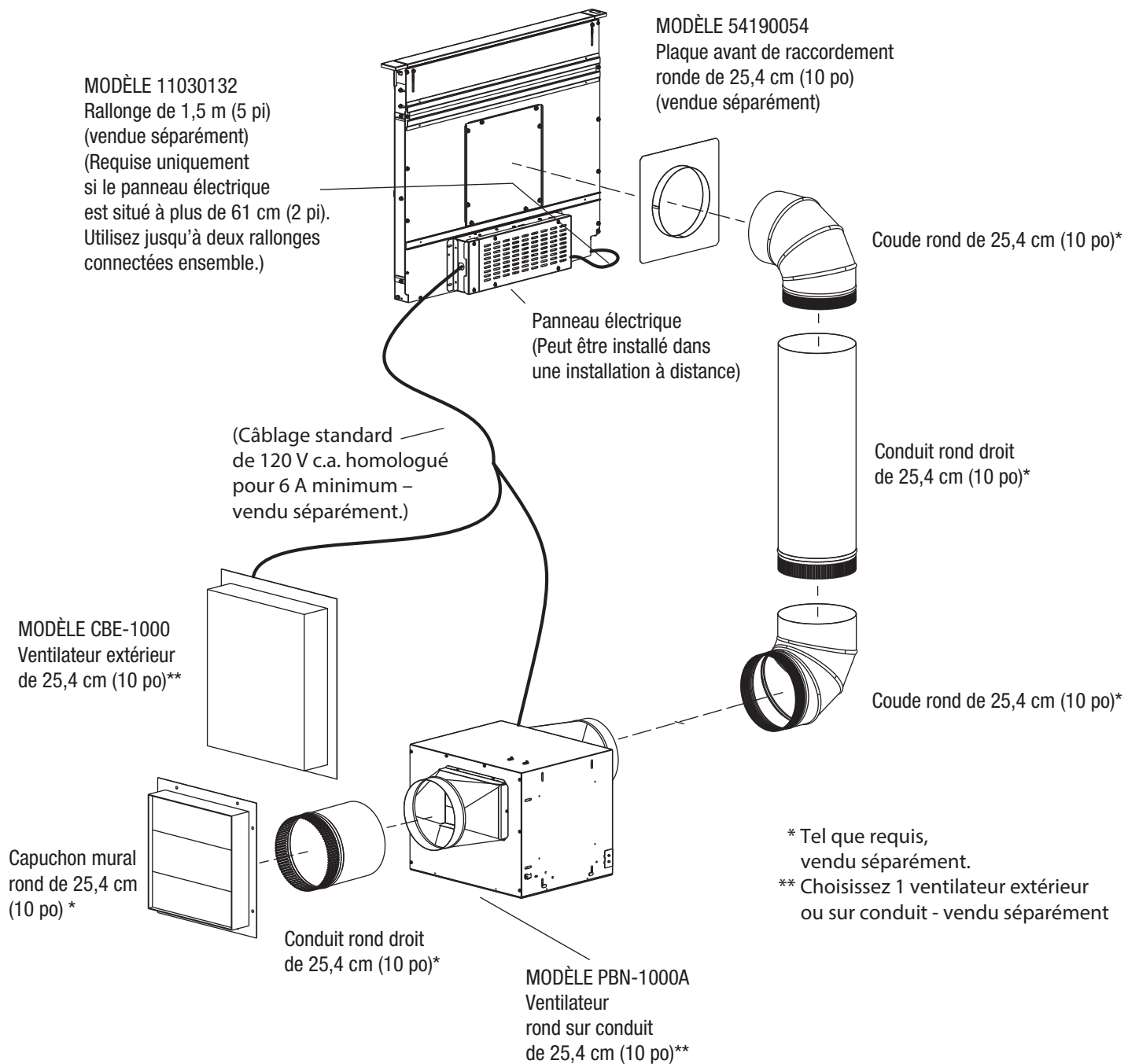
* Tel que requis, vendu séparément.

Ventilateur interne (DBI-600A) installation a distance - evacuation arriere

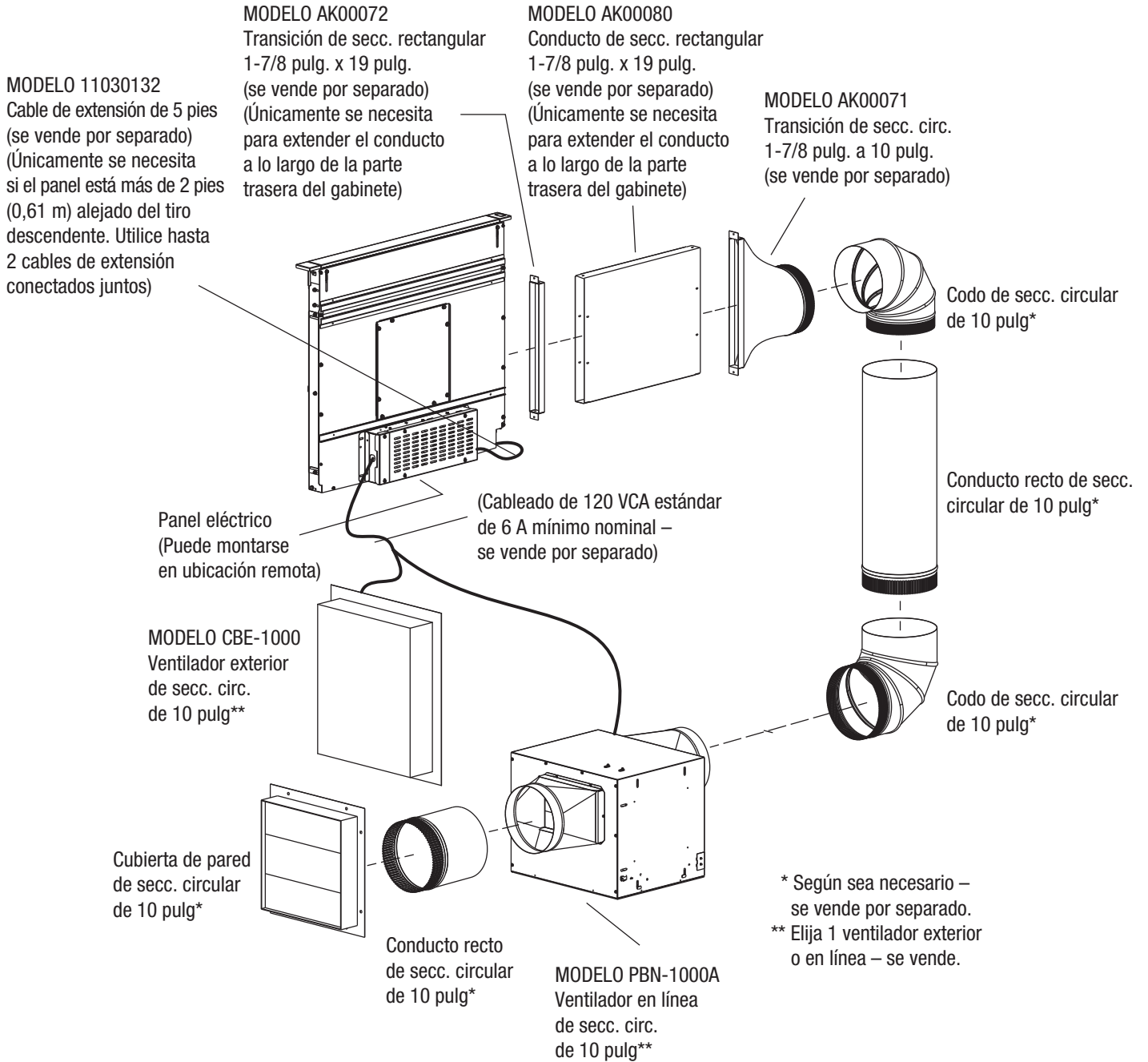


* Tel que requis, vendu séparément.

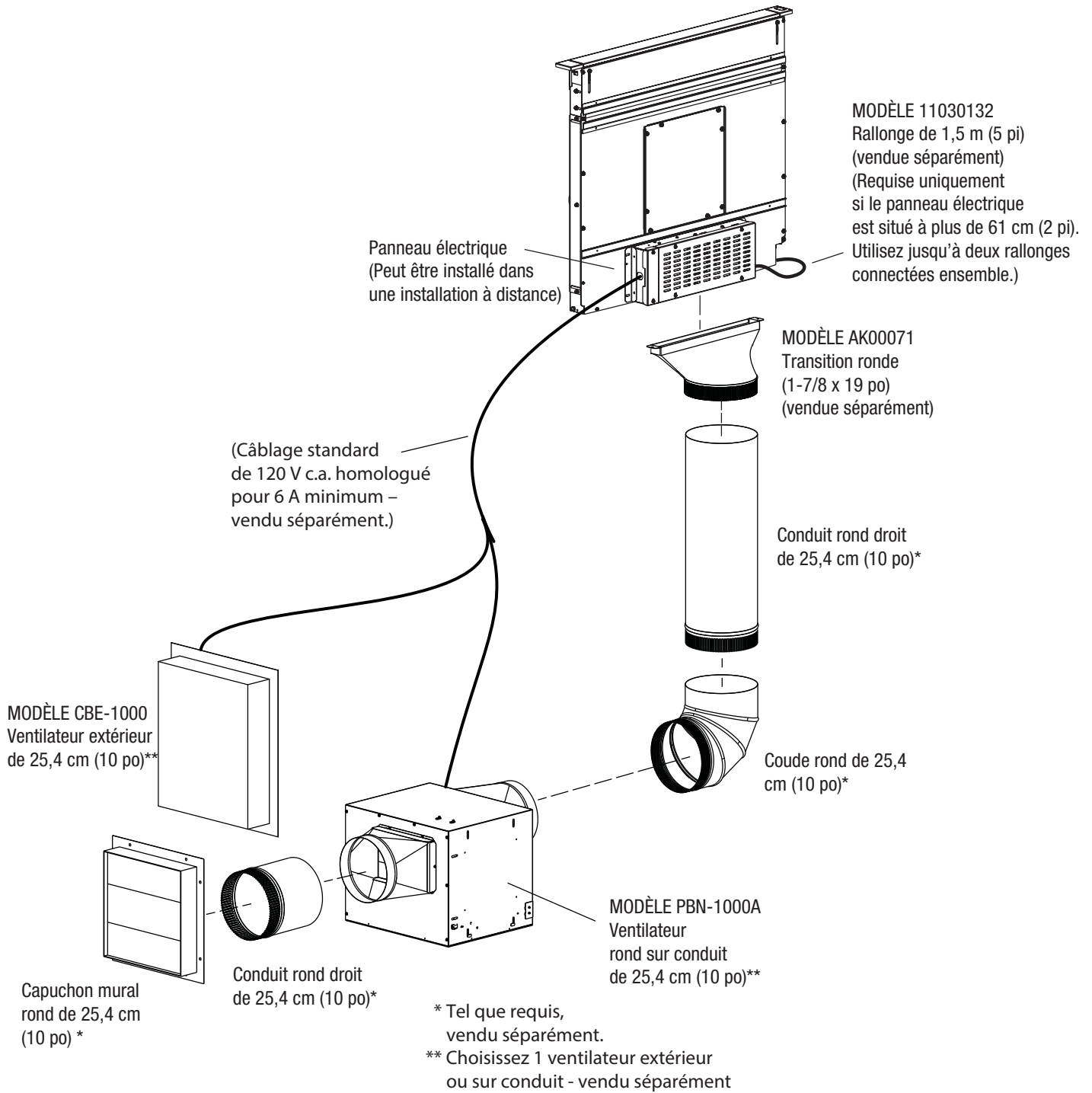
Ventilateur extérieur ou sur la ligne - évacuation avant

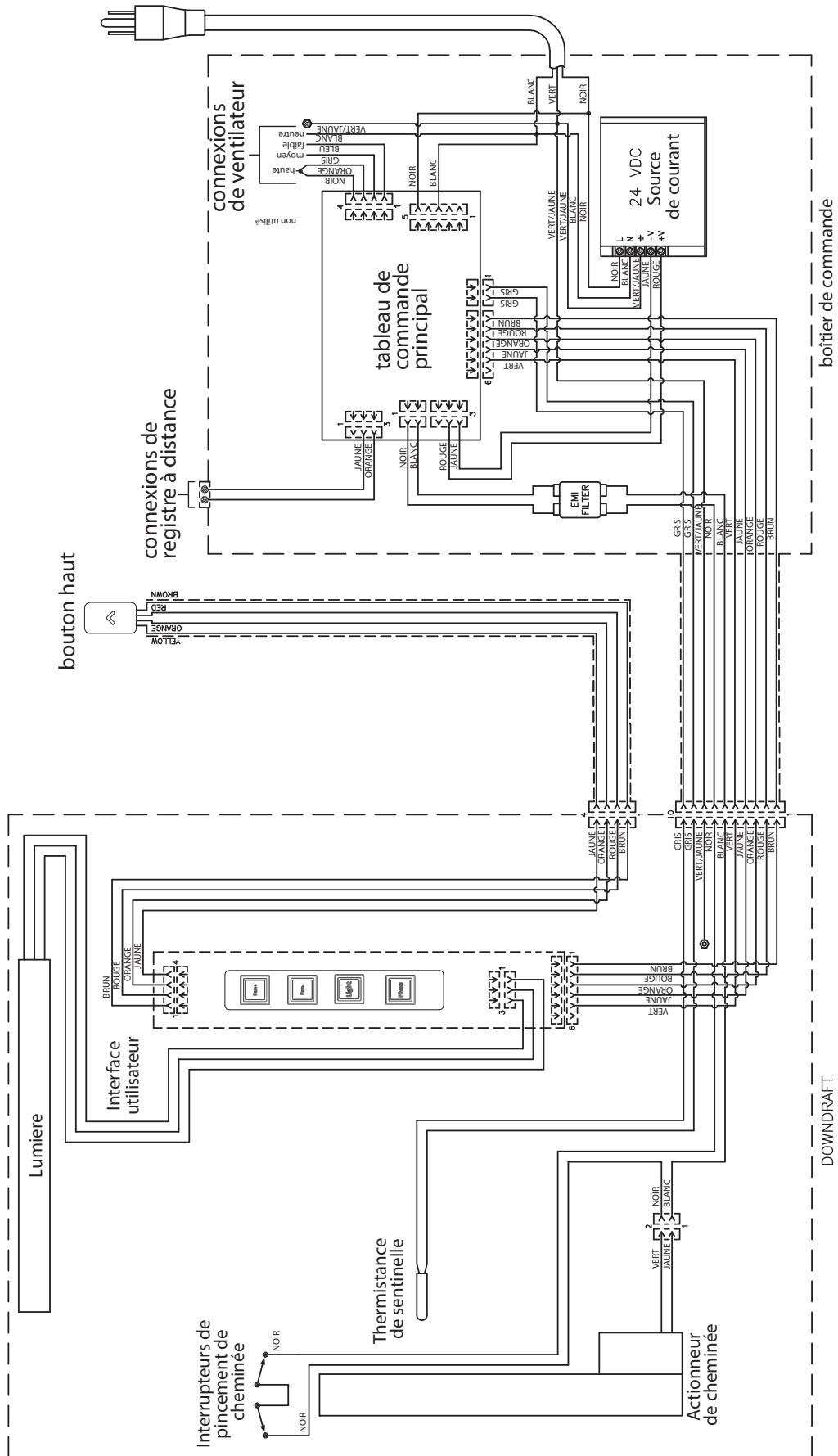


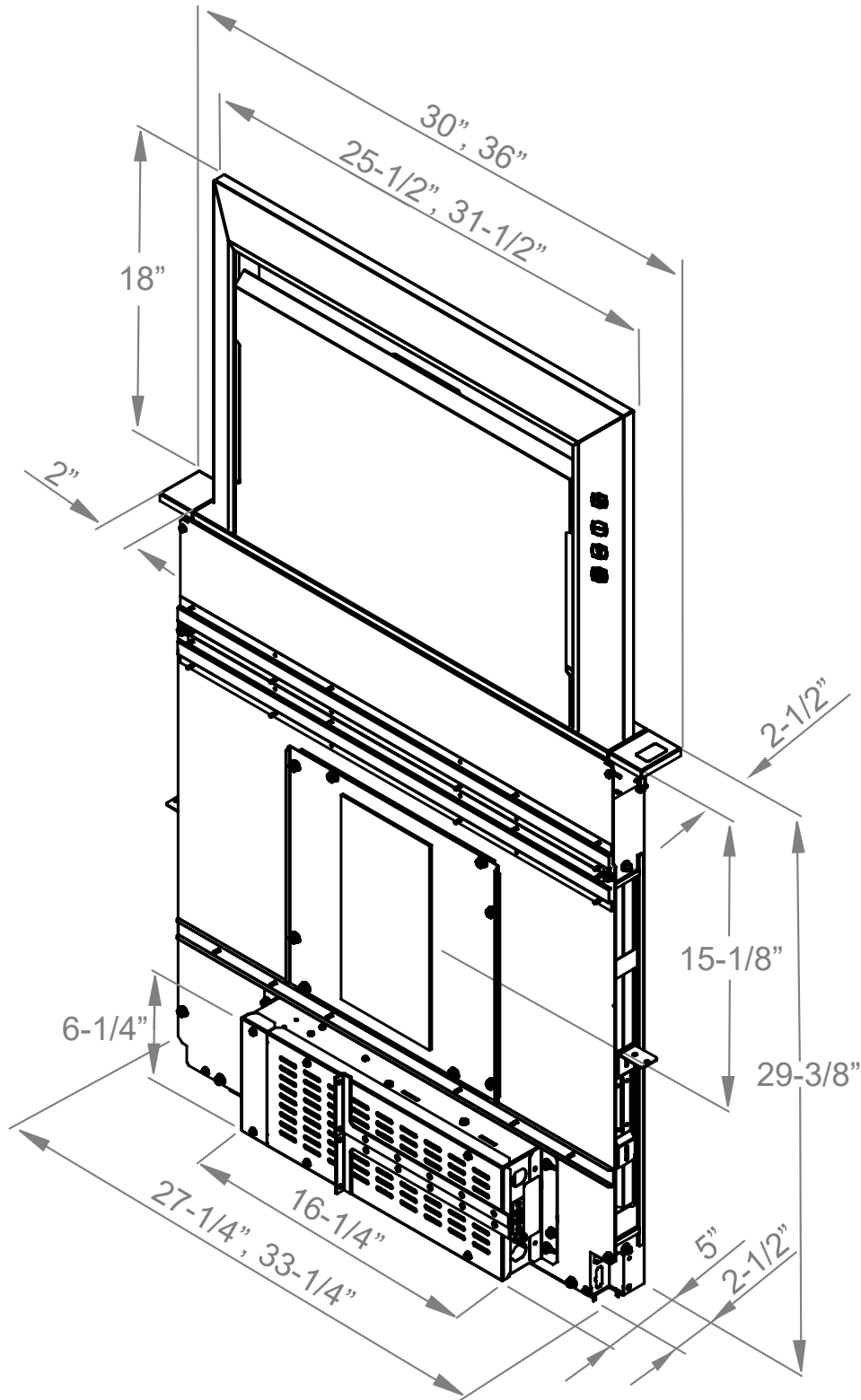
Ventilateur extérieur ou sur la ligne - évacuation avant



Ventilateur extérieur ou sur la ligne - évacuation latérale ou arrière







ZEPHYR
Garantie limitée

AGRAFEZ VOTRE REÇU ICI

Une preuve de la date d'achat originale est nécessaire pour obtenir du service lorsque le produit est sous garantie

POUR OBTENIR DU SERVICE SOUS GARANTIE OU POUR TOUTE QUESTION LIÉE À L'ENTRETIEN, veuillez communiquer avec nous au 1-888-880-8368

Zephyr Corporation (désigné aux présentes sous le nom de « nous ») garantit au premier acheteur (désigné aux présentes sous le nom de « vous » ou « votre ») de produits Zephyr (les « Produits ») que lesdits produits sont exempts de défauts de fabrication ou de main-d'œuvre selon les conditions suivantes :

Garantie de deux ans sur les pièces : Garantie de deux ans à partir de la date d'achat originale du Produit. Nous fournirons sans frais les Produits ou les pièces de remplacement qui comportaient des défauts de fabrication. Nous pourrions choisir, à notre seule discrétion, de réparer ou de remplacer des pièces avant de prendre la décision de remplacer le Produit.

Garantie limitée d'un an sur la main-d'œuvre : Garantie d'un an à partir de la date d'achat originale du Produit. Nous couvrirons sans frais les frais de main-d'œuvre afférents à la réparation du Produit ou des pièces de remplacement qui comportaient des défauts de fabrication. Un an après la date d'achat originale, vous serez responsable de tous les frais de main-d'œuvre associés à la présente garantie.

Exclusions de la garantie : Cette garantie ne couvre que la réparation ou le remplacement, à notre gré, de pièces ou de Produits défectueux et ne couvre aucun autre coût afférent aux Produits, dont, sans s'y limiter, les frais liés : (a) à l'entretien normal des Produits et au remplacement des pièces consommables, comme les ampoules, les filtres métalliques, les filtres à charbon et les fusibles; (b) à tout Produit ou pièce ayant été endommagé durant le transport ou étant le résultat d'un mauvais usage, d'une négligence, d'un accident, d'une installation incorrecte ou ne respectant pas les notices d'installation recommandées, d'un entretien ou d'une réparation inapproprié (dont ne nous sommes pas responsables); (c) à une utilisation commerciale ou ne correspondant pas à l'utilisation pour laquelle les Produits sont conçus; (d) à l'usure naturelle du fini, à l'usure due à un entretien inadéquat, à l'utilisation de produits nettoyants corrosifs ou abrasifs, de tampons nettoyeurs et de produits de nettoyage pour le four; (e) aux éclats, entailles ou fissures résultant d'un abus ou d'une mauvaise utilisation du Produit; (f) aux déplacements d'un technicien de service à votre domicile pour vous montrer comment utiliser les Produits; (g) aux dommages causés par un accident, un incendie, une inondation ou un cas fortuit. Si vous vous trouvez à l'extérieur du territoire que nous desservons, des frais supplémentaires pourraient s'appliquer pour la livraison des produits à nos points de service désignés pour une réparation sous garantie ou vous pourriez avoir à déboursier les frais de déplacement du technicien à votre domicile pour que le Produit soit réparé, enlevé ou réinstallé. Un an après la date d'achat originale du Produit, vous êtes également responsable de tous les frais de main-d'œuvre associés à la présente garantie.

Restrictions de la garantie. NOTRE OBLIGATION DE RÉPARER OU DE REMPLACER, À NOTRE GRÉ, LE PRODUIT CONSTITUE VOTRE SEUL ET UNIQUE RECOURS SOUS LA PRÉSENTE GARANTIE. NOUS NE NOUS PORTONS PAS RESPONSABLES POUR TOUT DOMMAGE INDIRECT, ACCESSOIRE OU PARTICULIER RÉSULTANT OU AYANT UN LIEN AVEC L'UTILISATION OU LE RENDEMENT DES PRODUITS. LES GARANTIES EXPRESSES DE LA SECTION PRÉCÉDENTE SONT EXCLUSIVES ET TIENNENT LIEU DE TOUTE AUTRE GARANTIE EXPRESSE. PAR LES PRÉSENTES, NOUS REJETONS ET EXCLUONS TOUTE AUTRE GARANTIE EXPRESSE POUR LES PRODUITS ET TOUTES LES GARANTIES TACITES PRÉVUES PAR LA LOI, DONT CELLES RELATIVES À LA QUALITÉ MARCHANDE OU À L'ADÉQUATION DU PRODUIT POUR UNE UTILISATION PARTICULIÈRE. Certains États ou provinces n'autorisent pas les restrictions sur la durée d'une garantie implicite ou l'exclusion ou la restriction des dommages indirects ou accessoires; par conséquent, les exclusions et restrictions mentionnées ci-dessus pourraient ne pas s'appliquer à votre cas. Dans la mesure où une loi applicable interdit l'exclusion de garanties implicites, la durée de toute garantie implicite applicable se limite à la période de deux ans décrite ci-dessus. L'unique objectif de toute description orale ou écrite est de présenter les Produits et celle-ci ne devrait pas être interprétée comme une garantie expresse. Avant d'utiliser ou de permettre l'utilisation des Produits, vous devrez déterminer si les Produits conviennent aux utilisations prévues et vous devrez assumer tout risque et toute responsabilité relatifs à ces utilisations. Nous nous réservons le droit d'utiliser des pièces reconstruites ou remises à neuf pour remplacer l'une des fonctionnalités dans le cadre de la présente garantie ou de l'une des parties de la présente garantie. L'acheteur original ne peut transférer la présente garantie et celle-ci n'est valide qu'aux États-Unis et au Canada.

Pour obtenir du service sous la garantie : Pour avoir droit à du service sous garantie, vous devez : (a) nous avvertir en utilisant l'adresse ou le numéro de téléphone inscrit ci-dessous dans les soixante jours suivant la détection du défaut; (b) donner le numéro du modèle, le numéro d'identification de la pièce ainsi que le numéro de série; et (c) décrire la nature de tout défaut de la pièce ou du Produit. Au moment de faire la demande de service sous garantie, vous devrez présenter votre preuve d'achat et la preuve de la date d'achat originale. Si nous déterminons que les exclusions de la garantie énumérées ci-dessus s'appliquent ou si vous vous trouvez dans l'incapacité de nous fournir la documentation nécessaire pour obtenir du service, vous serez responsable de tous les frais d'expédition, de déplacement, de main-d'œuvre ou de tout autre coût afférent au service.

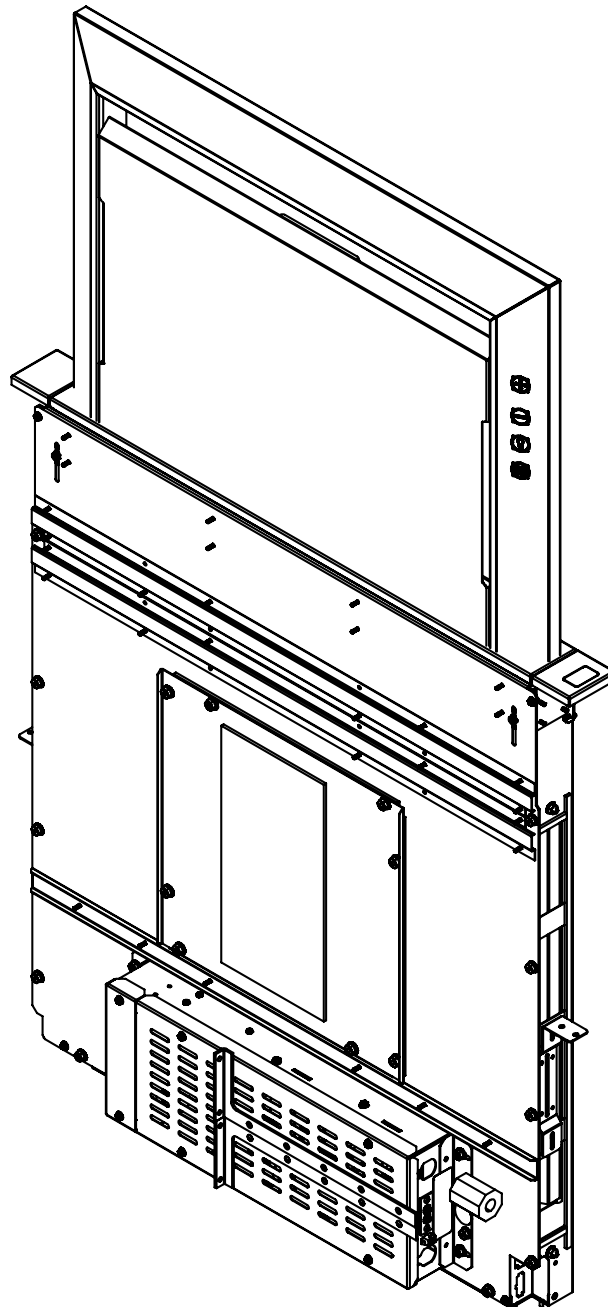
Ventilador de tiro descendente

Para uso con estos ventiladores
(los ventiladores se compran por separado):

Modelo DBI-600A – Interior

Modelos CBE-1000 – Exterior

Modelos PBN-1000A – En línea



LEA Y GUARDE ESTAS INSTRUCCIONES

Registre el producto en línea en: www.zephyronline.com

Información de seguridad	71
Contenido	72
Especificaciones	72
Herramientas necesarias	72
Planificación	
Antes de comenzar	73
Medidas que debe tomar	73
Configuraciones de los conductos	73
Recortes del gabinete	78
Preparación de los conductos	
laterales o traseros del tiro descendente	80
Conducto delantero	80
Panel eléctrico en ubicación remota	81
Montaje final	81
Instalación	
Recorte de abertura del tope	82
Instale la carcasa en el gabinete	83
Instale la moldura de acabado	84
Instalación de los conductos	84
Instalación del cableado eléctrico	
Solo para el ventilador flexible	85
Solo para el ventilador exterior o en línea	86
Instalación/funcionamiento del aparato	87
Uso y cuidado	88
Accesorios opcionales	89
Apéndice A - H	91
Diagrama de cableado	99
Dibujo dimensional	100
Garantía	101



ADVERTENCIA

PARA REDUCIR EL RIESGO DE INCENDIO, DESCARGA ELÉCTRICA O LESIONES, CUMPLA CON LOS SIGUIENTES PUNTOS:

1. Use esta unidad únicamente de la manera indicada por el fabricante. Si tiene preguntas, comuníquese con el fabricante mediante la dirección o número telefónico incluidos en la página final.
2. Antes de dar mantenimiento a la unidad o limpiarla, corte la alimentación al panel de servicio y bloquee los medios de desconexión del servicio para evitar que la alimentación se encienda accidentalmente. Cuando los medios de desconexión del servicio no puedan bloquearse, fije firmemente un dispositivo de advertencia en un lugar visible, como una etiqueta, al panel de servicio.
3. Personal calificado debe hacer el trabajo de instalación y cableado eléctrico de acuerdo con todos los códigos y normas correspondientes, incluidos los códigos y normas de construcción específicos para incendios.
4. Se necesita suficiente aire para la combustión y extracción de gases adecuadas a través de la chimenea del quemador de combustible para evitar el contratiro. Siga la guía del fabricante del equipo de calentamiento y las normas de seguridad, como las publicadas por la Asociación nacional de protección contra incendios (National Fire Protection Association, NFPA), y la Sociedad estadounidense de ingenieros de calentamiento, refrigeración y aire acondicionado (American Society for Heating, Refrigeration and AirConditioning Engineers, ASHRAE), y las autoridades de códigos locales.
5. Cuando corte o perforo la pared o el cielorraso, evite dañar el cableado eléctrico y otros servicios ocultos.
6. Los ventiladores de conductos siempre deben expulsar hacia el exterior.
7. Para reducir el riesgo de incendios, use únicamente conductos metálicos.
8. No instale este producto con el interruptor de activación directamente detrás de un quemador o elemento calentador. La distancia mínima entre el interruptor y el borde del quemador debe ser de 4 pulgadas (10,2 cm).
9. Nunca debe usarse ropa holgada o suelta al operar este aparato. Pueden encenderse con los quemadores o elementos calentadores en la placa de cocción.
10. Los niños no deben dejarse solos ni sin atención en el área en la que se use este aparato.
11. Esta unidad debe conectarse a tierra.

PARA REDUCIR EL RIESGO DE INCENDIO POR PRESENCIA DE GRASA EN LA ESTUFA:

- a) Nunca deje las unidades de la superficie desatendidas en ajustes de calor alto. Los derrames por ebullición provocan humo y salpicaduras de grasa que pueden encenderse. Caliente lentamente los aceites a ajustes de calor bajo o medio.
- b) Siempre encienda la campana cuando cocine a calor alto o cuando cocine alimentos inflamables.
- c) Limpie con frecuencia los ventiladores. No permita que la grasa se acumule en el ventilador ni en el filtro.
- d) Utilice una sartén de tamaño adecuado. Siempre utilice una olla adecuada para el tamaño del elemento calentador de la superficie.



ADVERTENCIA

PARA REDUCIR EL RIESGO DE LESIONES EN CASO DE INCENDIO POR PRESENCIA DE GRASA EN LA ESTUFA, CUMPLA CON LO SIGUIENTE:

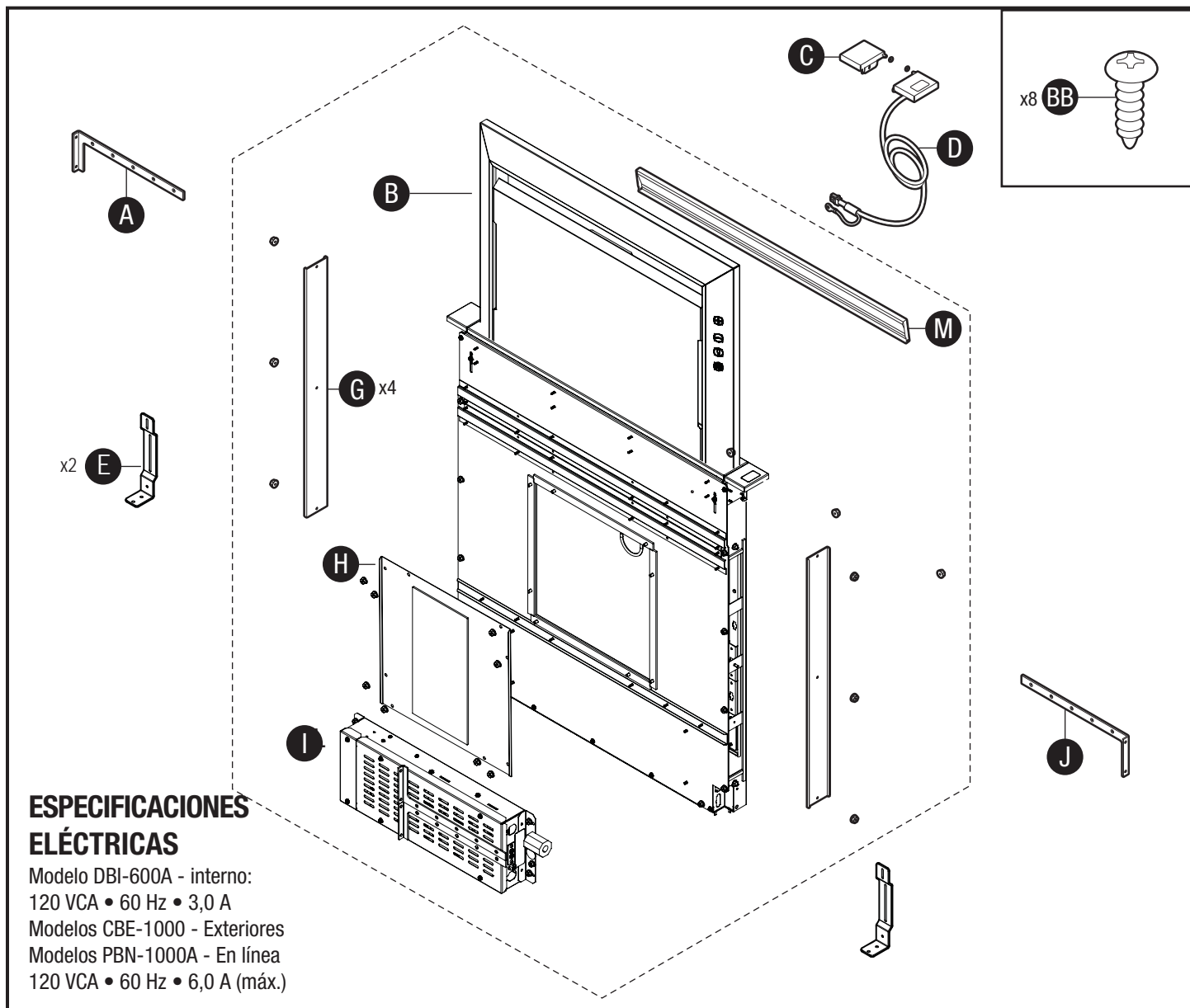
1. APAGUE LAS LLAMAS con una tapa, una bandeja de horno o una bandeja de metal que cierre completamente, y después apague el quemador. TENGA CUIDADO PARA EVITAR QUEMADURAS. Si las llamas no se apagan inmediatamente, EVACUE EL ÁREA Y LLAME AL DEPARTAMENTO DE BOMBEROS.
2. NUNCA LEVANTE UNA SARTÉN EN LLAMAS – puede quemarse.
3. NO USE AGUA, incluidos pañitos o toallas húmedos – puede producirse una explosión violenta de vapor.
4. Utilice un extinguidor SOLO si:
 - A. Sabe que tiene un extinguidor de clase ABC, y ya sabe cómo utilizarlo.
 - B. El incendio es pequeño y se restringe al área donde se inició.
 - C. Se llama al Departamento de bomberos.
 - D. Combate el incendio con la salida a su espalda. Basado en “Kitchen Firesafety tips” (Consejos de seguridad contra incendios en la cocina) publicado por la NFPA.



PRECAUCIÓN

1. Solo para uso en interiores.
2. Solo para usarse con fines de ventilación general. No debe utilizarse para extraer materiales y vapores peligrosos o explosivos.
3. Para evitar daños a los cojinetes del motor o terminar con impulsores desbalanceados o ruidosos, proteja la unidad de alimentación contra pulverización de yeso, polvo de construcción, etc.
4. Limpie con frecuencia los filtros y superficies que contengan grasa.
5. No repare ni reemplace ninguna pieza de este aparato a menos que se recomiende específicamente en este manual. Todas las demás actividades de mantenimiento debe realizarlas un técnico calificado.
6. Lea la etiqueta de especificaciones del producto para obtener más detalles y requisitos.
7. Para reducir el riesgo de incendios y descargas eléctricas, instale este ventilador de tiro descendente solo con los modelos de ventilador que se muestran a continuación. No pueden utilizarse otros modelos de ventilador. (Los ventiladores se venden por separado). Ventilador modelo DBI-600A, Ventilador exterior modelo CBE-1000, Ventilador en línea modelos PBN-1000A.

INSTALADOR: Guarde este manual para que lo use el inspector eléctrico y propietario.



ESPECIFICACIONES ELÉCTRICAS

Modelo DBI-600A - interno:
 120 VCA • 60 Hz • 3,0 A
 Modelos CBE-1000 - Exteriores
 Modelos PBN-1000A - En línea
 120 VCA • 60 Hz • 6,0 A (máx.)

Pieza	Descripción	Cantidad
A	Soporte de apoyo superior (izquierdo)	1
B	Carcasa del ventilador de tiro descendente	1
C	Moldura final (izquierda)	1
D	Botón de ascenso de moldura final (derecha)	1
E	Pata de apoyo	2
G	Cubierta de descarga	4
H	Cubierta de panel delantero	1
I	Panel eléctrico	1

Pieza	Descripción	Cantidad
J	Soporte de apoyo superior (derecho)	1
M	Puerta abatible	1
BB	Tornillo de cabeza redonda Phillips n.º 10 x 0,50	8

Herramientas necesarias

Cinta métrica, lápiz, destornillador Phillips n.º 2, destornillador de tuercas (11/32 pulg., 3/8 pulg., 7/16 pulg.), lave inglesa, sierra, nivel de burbuja, cortadores de hojalata, guantes, cinta de aluminio, (NO UTILICE cinta aislante).

Antes de comenzar

Debido a su diseño flexible, este sistema de tiro descendente puede utilizarse para extraer contaminantes contenidos en el aire cuando cocine con diversos aparatos de cocina a gas o eléctricos – **incluidas placas de cocción, estufas, estufas empotradas e independientes.**

Puede montarse en ubicaciones tipo isla, península o pared convencional. El ventilador (se compra por separado) y panel eléctrico pueden montarse a la unidad de tiro descendente, dentro del gabinete o en una ubicación remota conveniente.

Esta unidad puede instalarse fácilmente siguiendo estos pasos básicos:

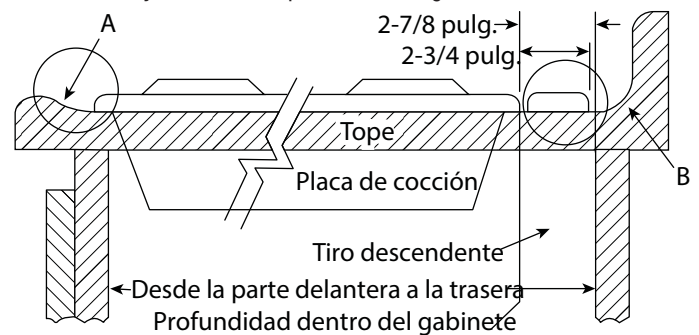
- Recorte la apertura del tope.
- Monte la unidad en el gabinete.
- Instale el ventilador y el panel eléctrico.
- Conecte los conductos y el sistema eléctrico.
- Instale la moldura.
- Instale el aparato de cocción.

Nota: el nivel alto de flujo de aire de este aparato puede afectar la llama de gas en algunos tipos de placas de gas. Esto es NORMAL y no causará daños, pero puede corregirse reduciendo la velocidad del ventilador.

Se recomienda utilizar el kit de sellos de la placa de cocción de gas con todas las placas de cocción de gas. El kit crea un sello entre la placa de cocción y el gabinete inferior. Incluye el soporte y sello de la moldura. Consulte la sección Accesorios opcionales.

Medidas que debe tomar

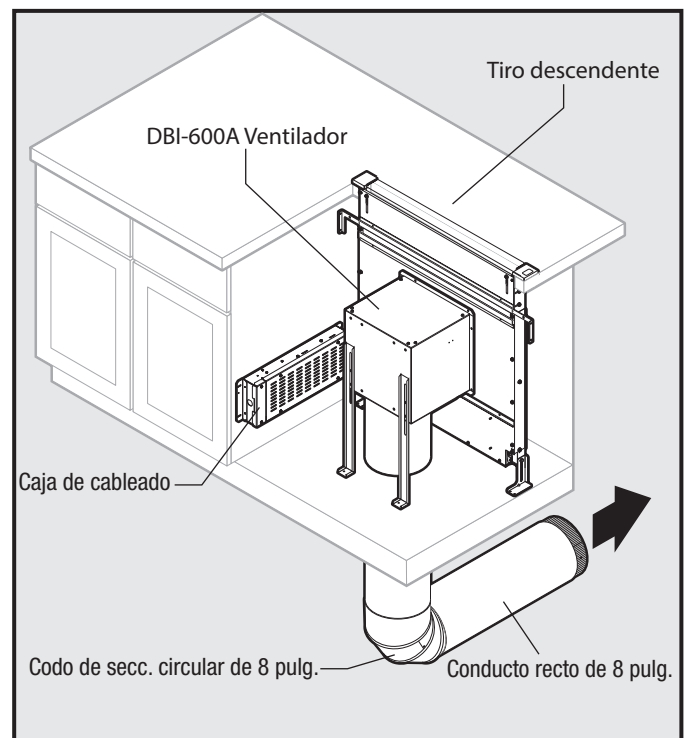
- Consulte las instrucciones de instalación de la placa de cocción para obtener sus dimensiones, el recorte del tope, y los requisitos del gabinete. Sin embargo, se recomienda utilizar gabinetes de mayor tamaño para facilitar la instalación. Al utilizar diseños de isla personalizados deben tomarse en cuenta gabinetes más profundos, en especial cuando se instalan con una estufa en frente del tiro descendente o cuando se monta el ventilador detrás del tiro descendente. También debe planificar una puerta de acceso.
- La profundidad de las placas de cocción puede variar considerablemente. Esto puede causar que estos dos aparatos queden muy ajustados. Preste especial atención a las áreas de posible interferencia resaltadas anteriormente. Es posible que un tope con (A) un reborde levantado o (B) un protector contra salpicaduras no permitan suficiente superficie plana para una instalación adecuada. Tome en cuenta que se necesitan 2-3/4 pulg. (7 cm) de tope plano detrás de la placa de cocción y que se necesitan 2-1/2 pulg. (6,4 cm) entre el reborde trasero de la placa de cocción y el interior de la parte trasera del gabinete.



Configuraciones de los conductos

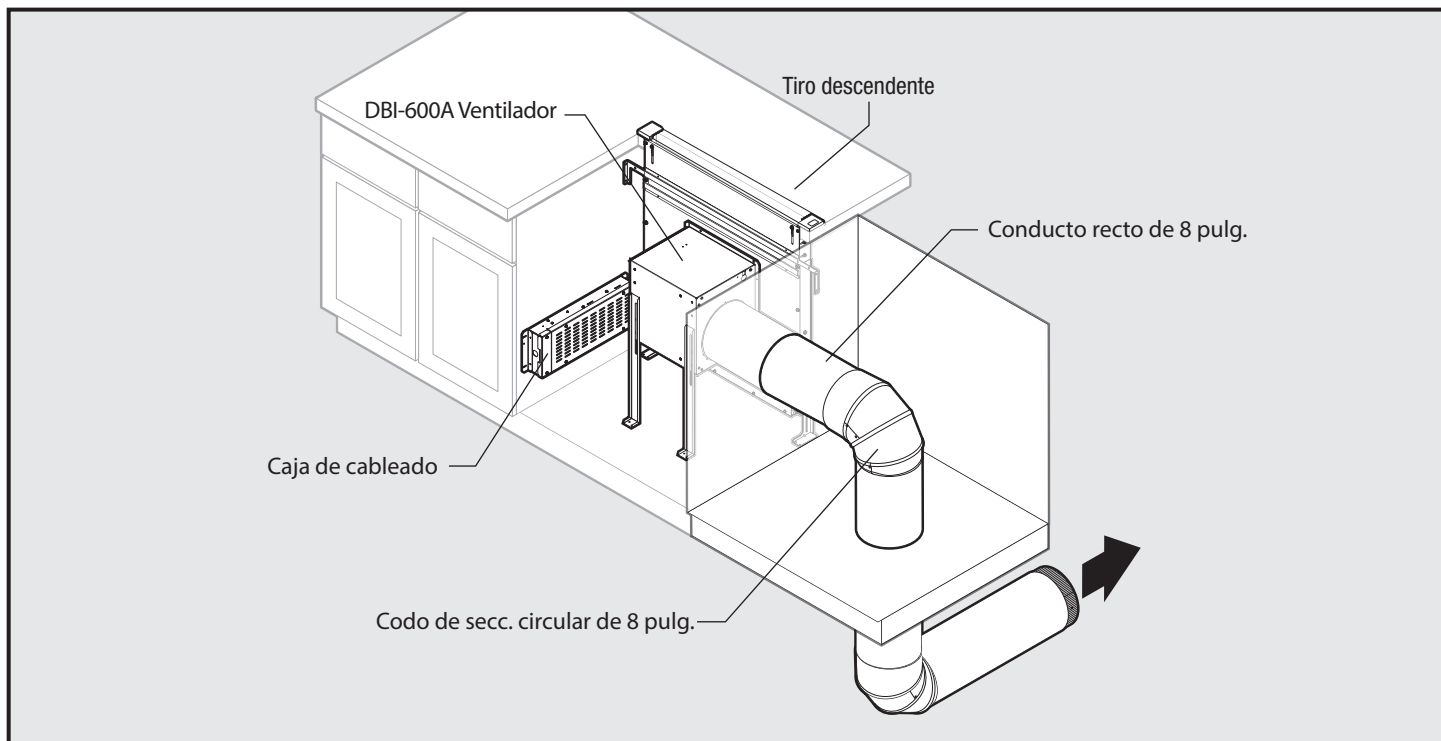
- El sistema de ventiladores de tiro descendente se diseña para conductos de sección circular de 8 pulg. con un ventilador flexible o para conductos de sección circular de 10 pulg. con un ventilador remoto. (Los ventiladores se compran por separado).
- Para obtener el mejor funcionamiento: Elija la opción de conductos de longitud más corta con el menor número de codos y transiciones. Revise que no haya posibles interferencias con las vigas del piso, vigas de pared, cableado eléctrico o tuberías.

Extracción delantera con ventilador flexible

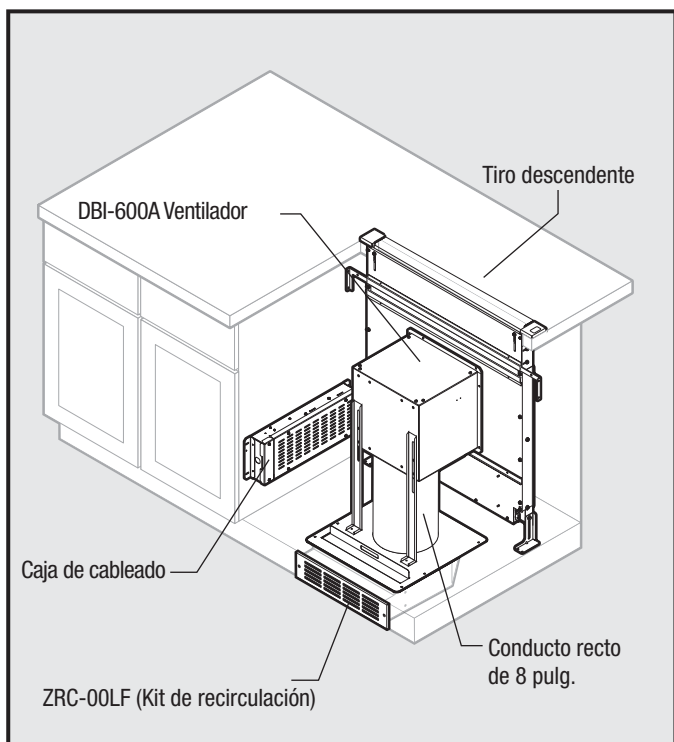


Configuraciones de los conductos (continuación)

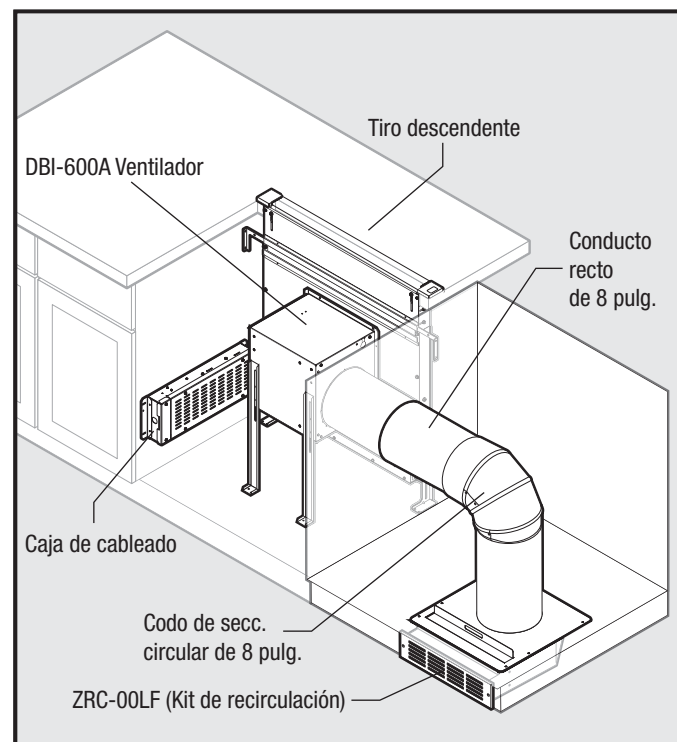
Extracción delantera con ventilador DBI-600A (a través del gabinete)



Extracción delantera con ventilador DBI-600A y kit de recirculación

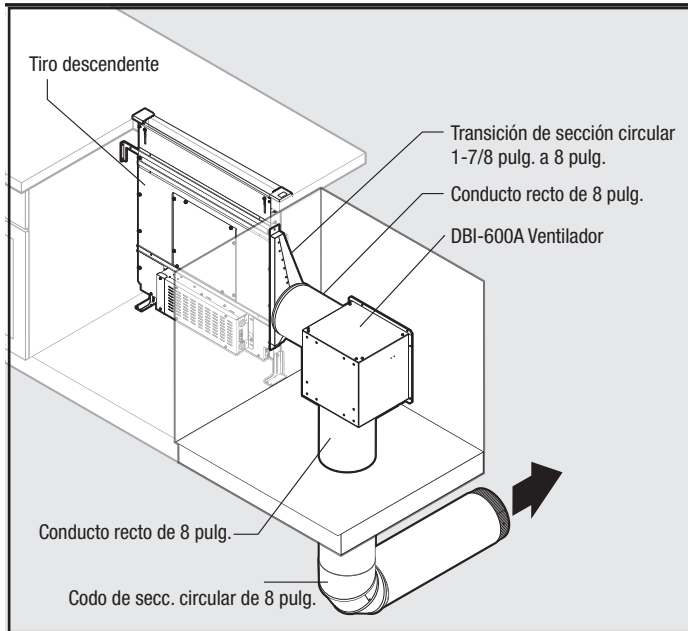


Extracción delantera con ventilador DBI-600A (a través del gabinete) y kit de recirculación

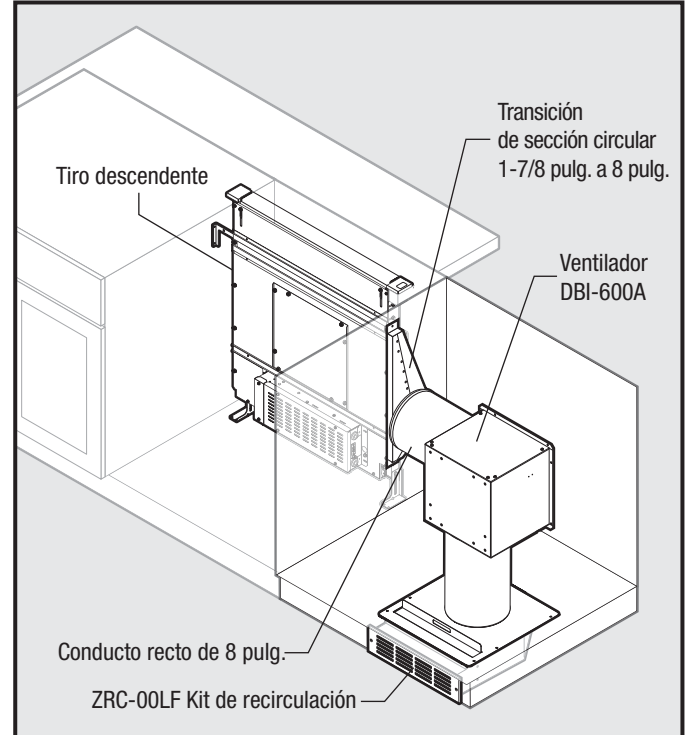


Configuraciones de los conductos (continuación)

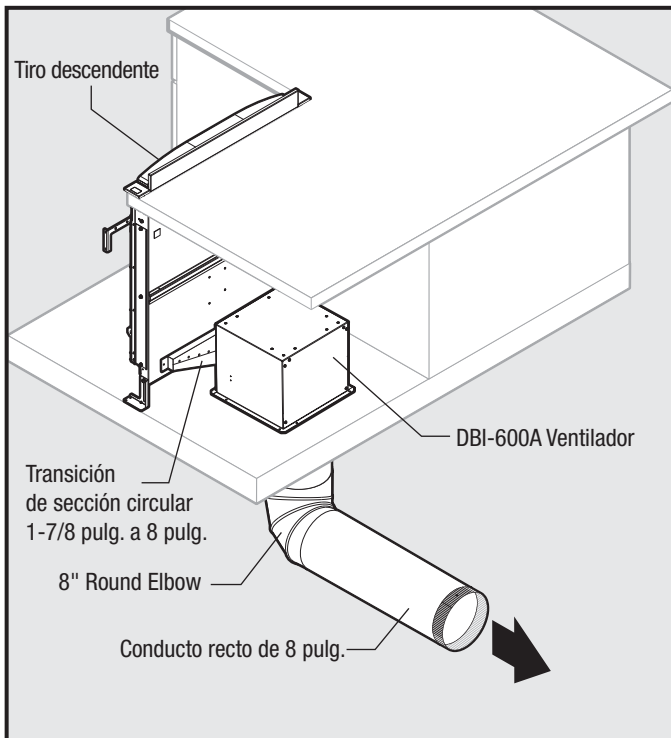
Extracción lateral con ventilador DBI-600A



Extracción lateral con ventilador DBI-600A y kit de recirculación

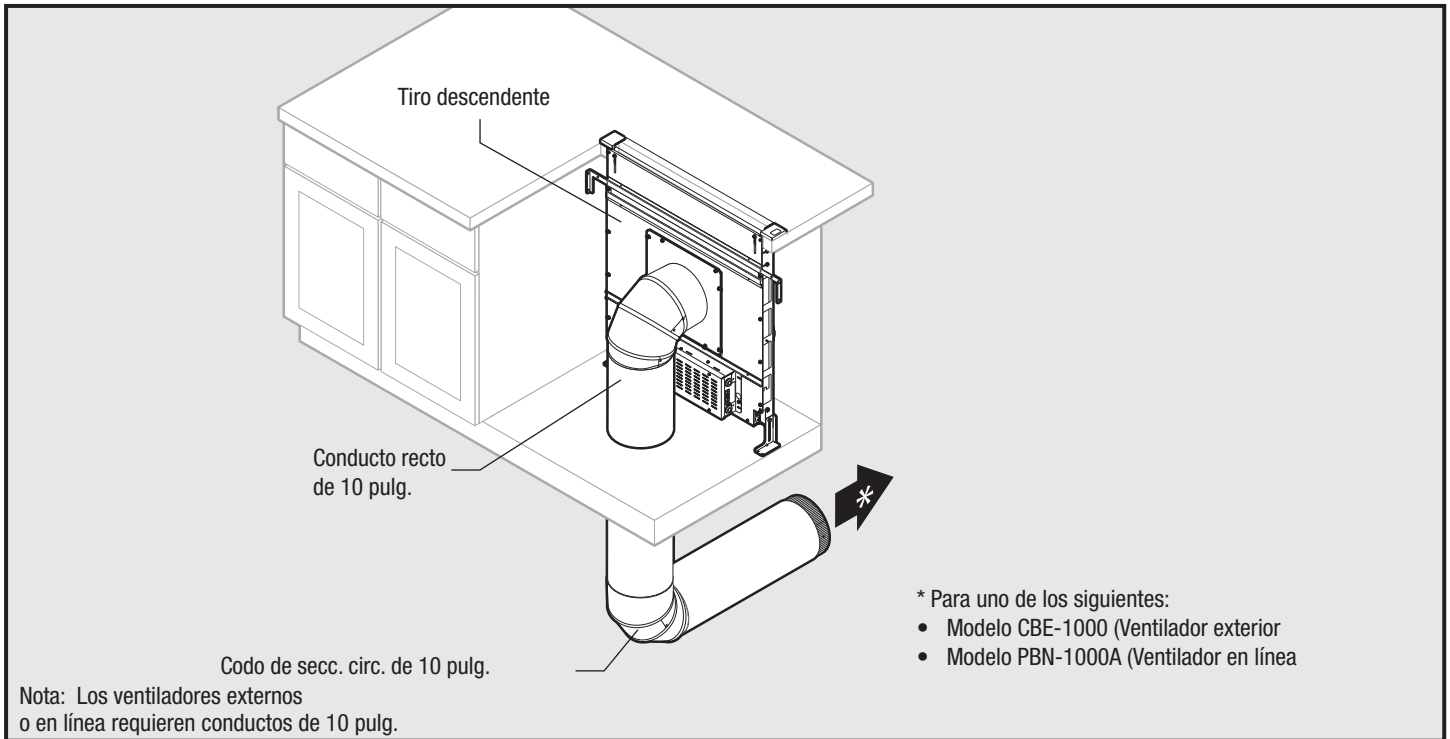


Extracción trasera con ventilador DBI-600A

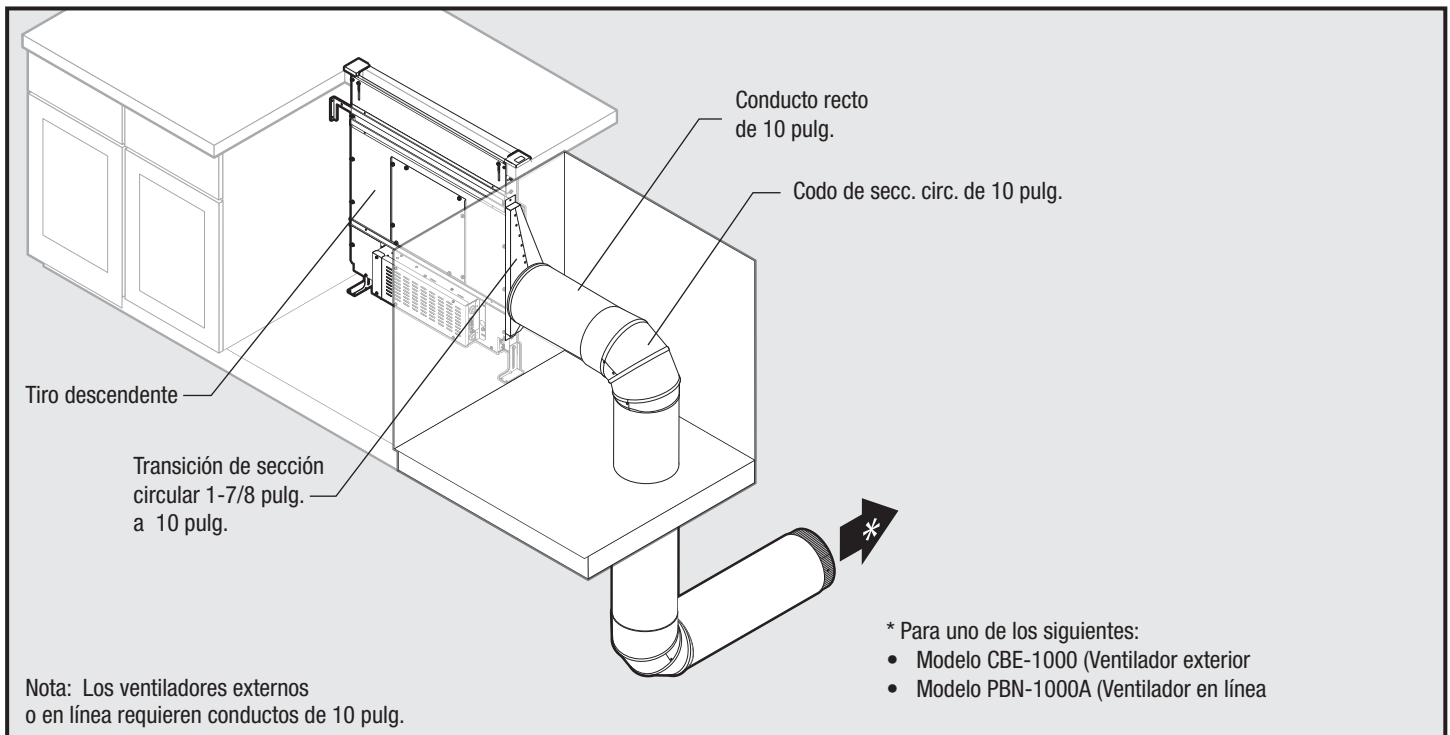


Configuraciones de los conductos (continuación)

Extracción delantera con ventilador remoto

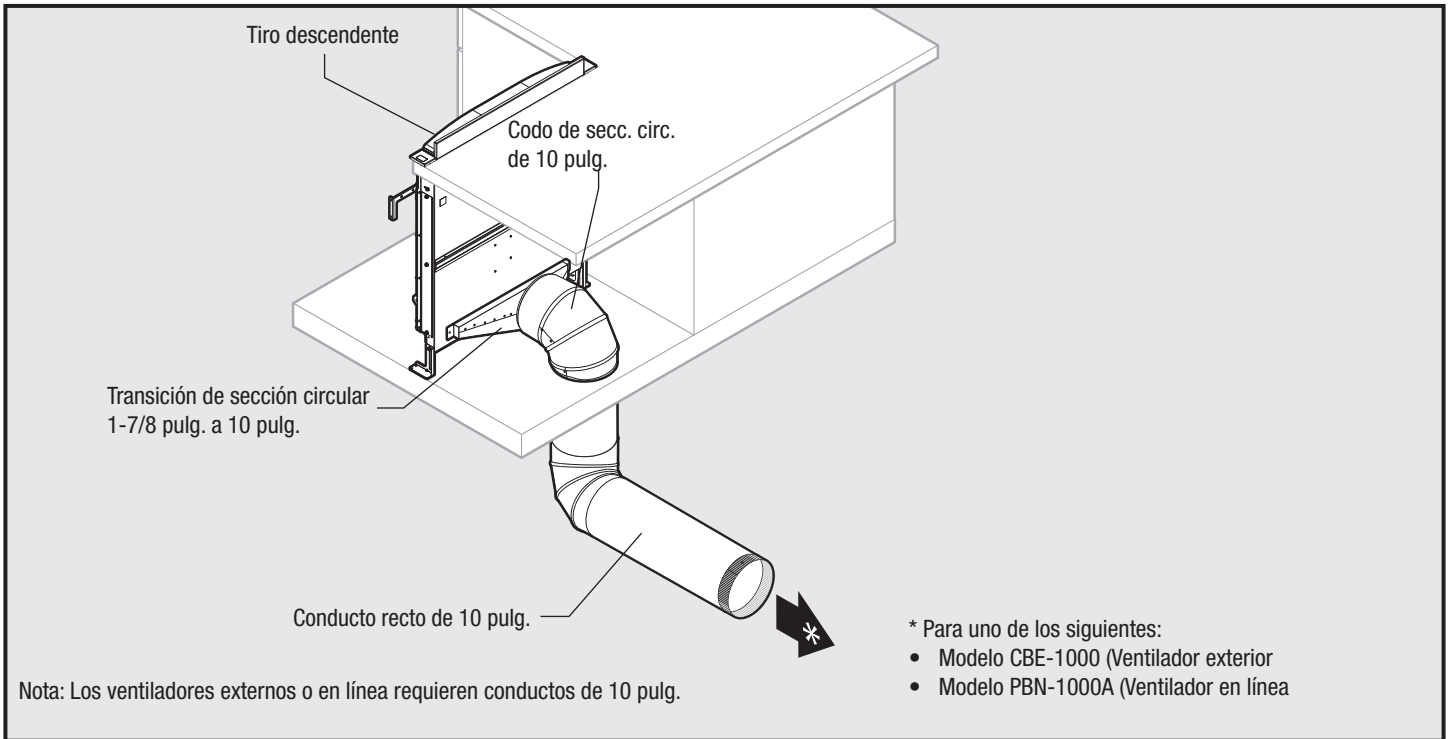


Extracción lateral con ventilador remoto

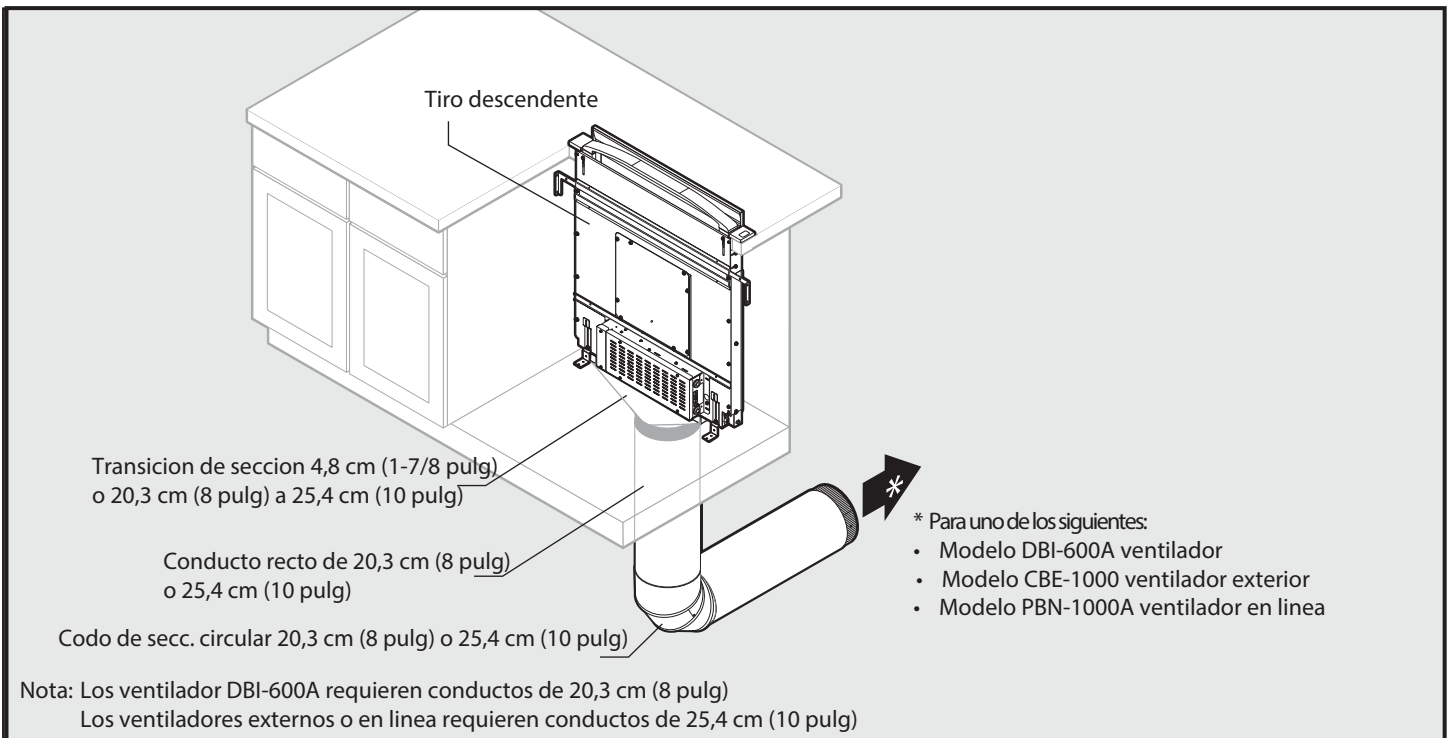


Configuraciones de los conductos (continuación)

Extracción trasera con ventilador remoto



Debajo del escape con ventilador remoto



Recortes del gabinete



PRECAUCIÓN

ANTES DE CORTAR EL AGUJERO EN EL GABINETE PARA LOS CONDUCTOS, compruebe si hay interferencias con viguetas del piso, vigas de pared, cableado eléctrico o tuberías.

Utilice las dimensiones de las ilustraciones para ayudar a planificar cómo y dónde proporcionar acceso a los conductos a través del gabinete. Generalmente, el conducto de sección rectangular de 1-7/8 pulg. x 19 pulg. se utilizará por la izquierda, derecha y la parte trasera del gabinete, mientras que el conducto de sección circular de 8 pulg. se utilizará a través del piso del gabinete.

Para la extracción izquierda, derecha o trasera: Deje al menos 18 pulg. (46 cm) para la transición y codo o ventilador.

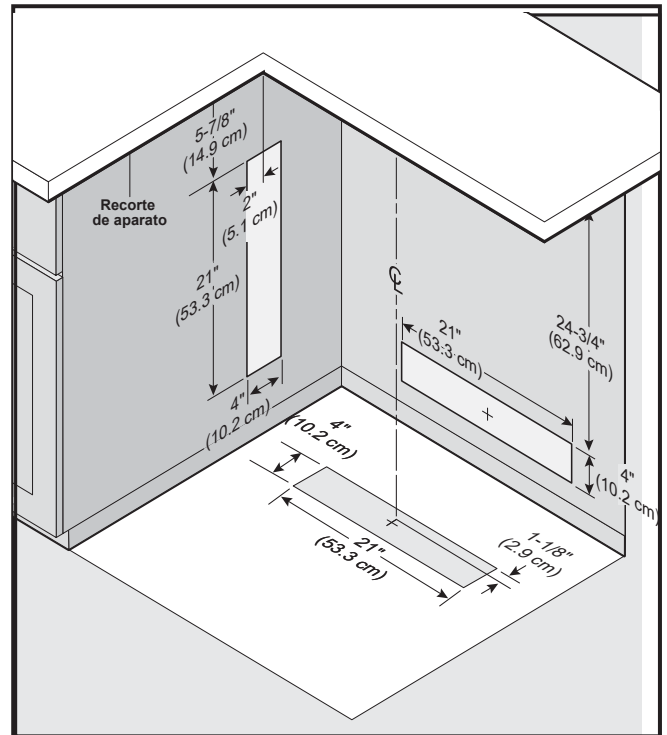
Para la extracción izquierda/derecha: se recomienda un gabinete de 30 pulg. (76 cm) de profundidad para alinearlo adecuadamente con el ventilador DBI-600A. El ventilador DBI-600A puede montarse en la pared trasera del gabinete o en una plataforma o marco (no proporcionado) en la base del piso del gabinete. (Consulte las instrucciones del ventilador DBI-600A).

Nota: El ventilador DBI-600A solo puede acoplarse en la parte delantera del tiro descendente.

Se requieren profundidades de gabinete de 24 a 30 pulg. (61 a 76 cm), según el tipo de aparato de cocción.

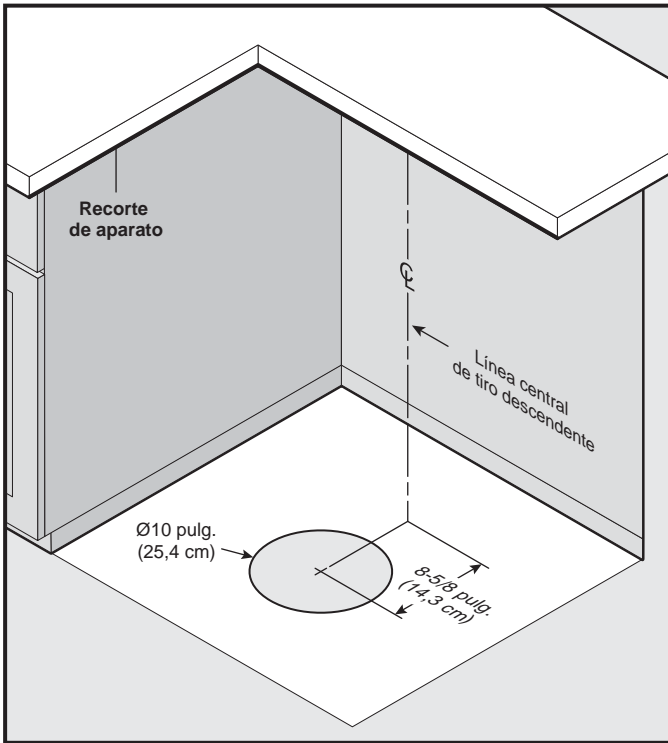
Si utiliza un kit de recirculación consulte la sección "Planifique la instalación" de las instrucciones de instalación incluidas en el kit.

Debajo, recortes de conductos laterales o traseros.



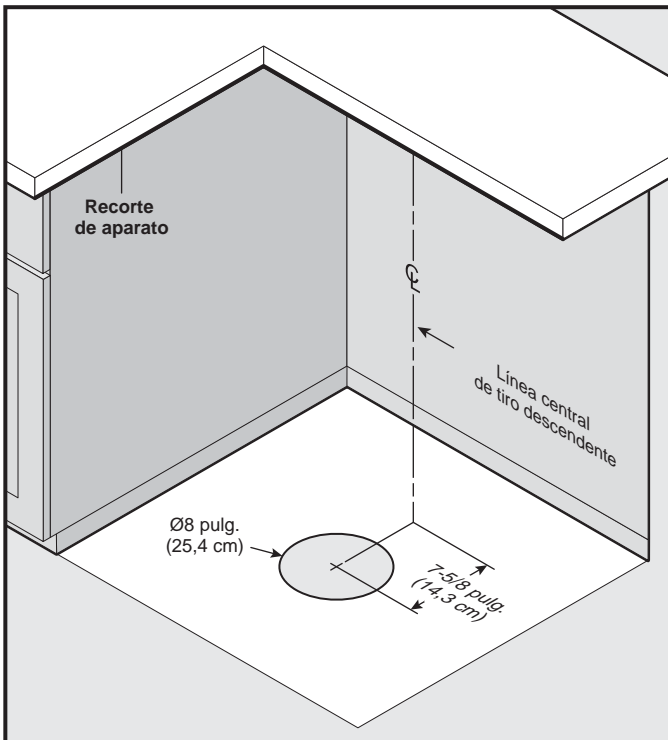
Recortes del gabinete (continuación)

Recorte del conducto del ventilador exterior o en línea 10 pulg.



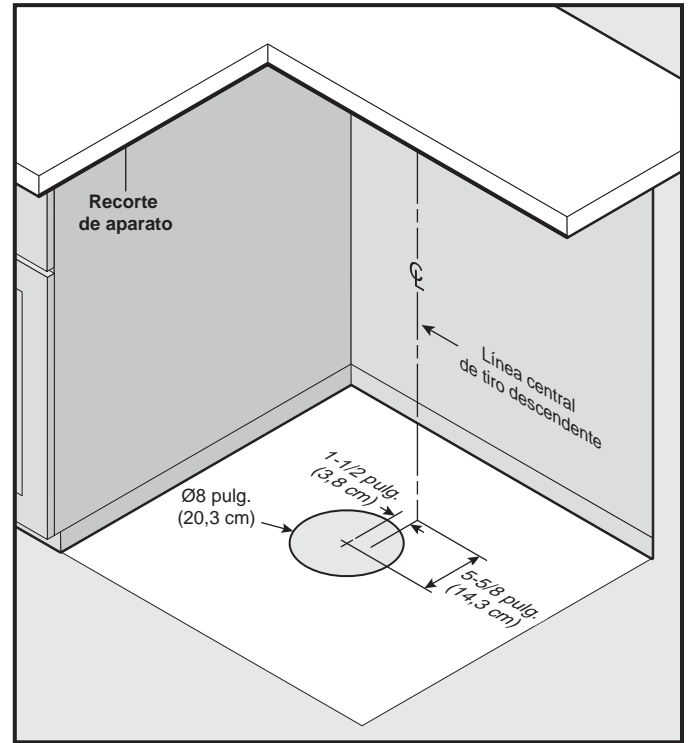
Dimensiones basadas en el codo de secc. circular de 10 pulg.

Conducto del ventilador DBI-600A – Recorte de la ubicación remota

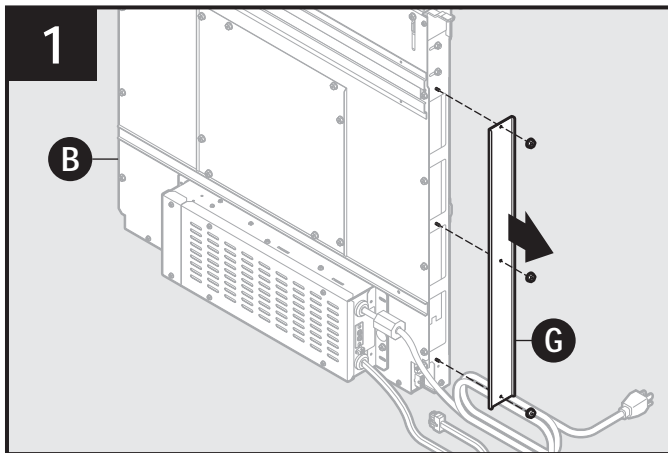


Dimensiones basadas en el codo de secc. circular de 8 pulg.

Recorte del conducto del ventilador DBI-600A

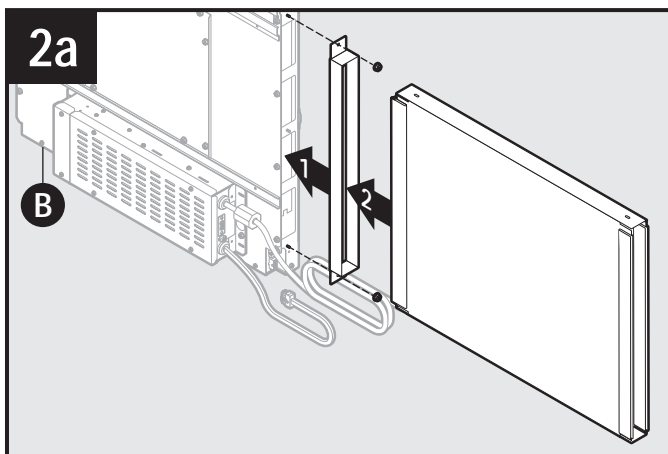


Laterales o traseros del tiro descendente

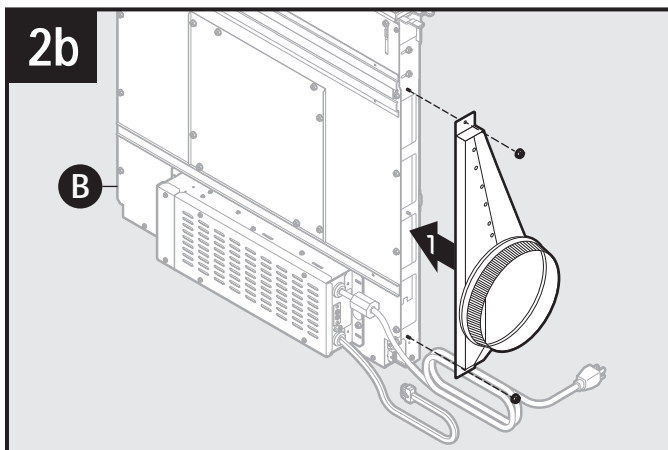


Retire una cubierta de descarga (G) de los lados o la parte trasera del tiro descendente (B).

Nota: Retire solamente una cubierta.

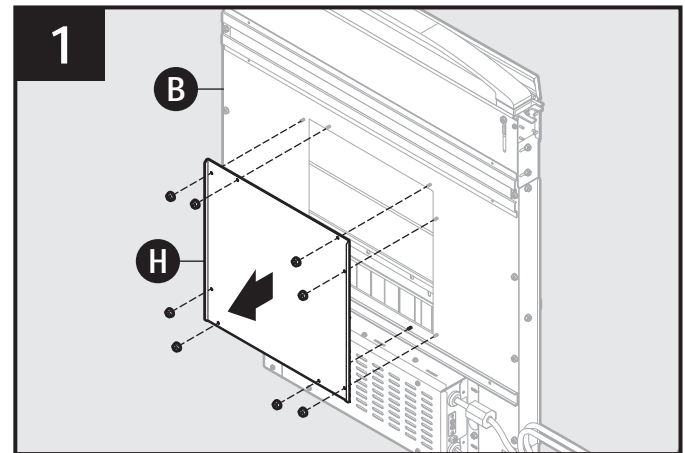


Instale una transición y conductos de sección rectangular en el tiro descendente (B).

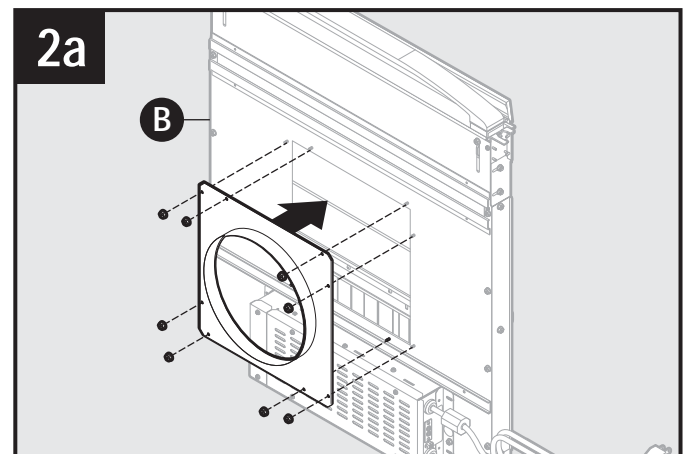


Instale una transición de sección circular de 1-7/8 pulg. a 8 pulg. o 10 pulg. en el tiro descendente (B).

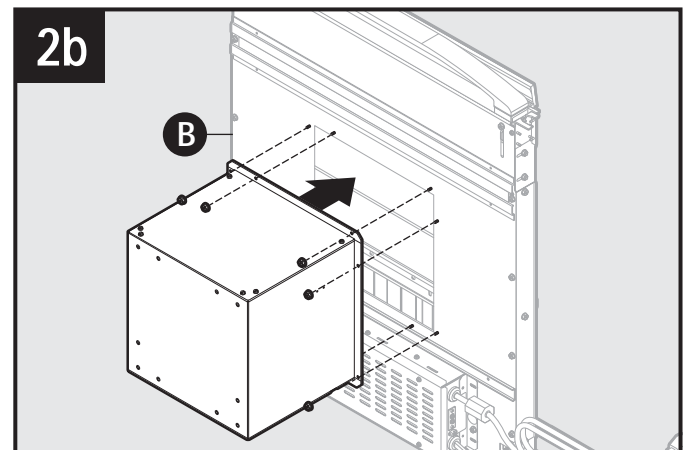
Conducto delantero



Retire la cubierta del panel delantero (H) del tiro descendente (B).



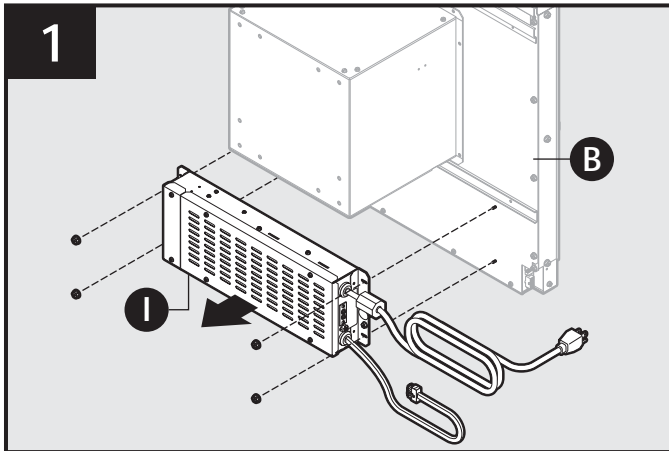
Instale una placa de descarga remota de 8 pulg. o 10 pulg. en el tiro descendente (B).



Instale el ventilador DBI-600A en el tiro descendente (B).

Nota: El ventilador DBI-600A puede instalarse con el conducto hacia la izquierda, derecha o descendente.

Panel eléctrico en ubicación remota

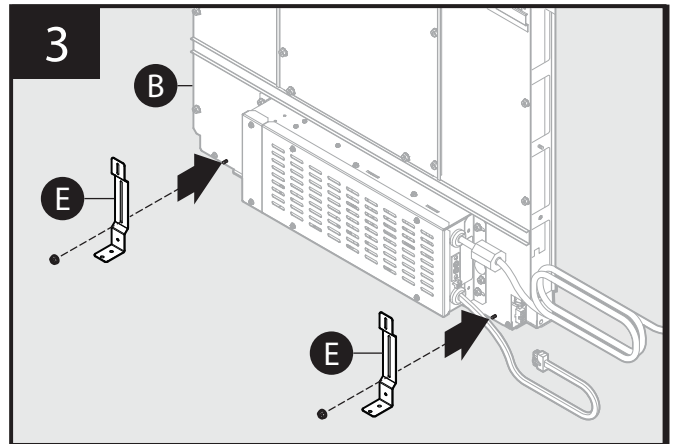


Retire el panel eléctrico (I) del tiro descendente (B).

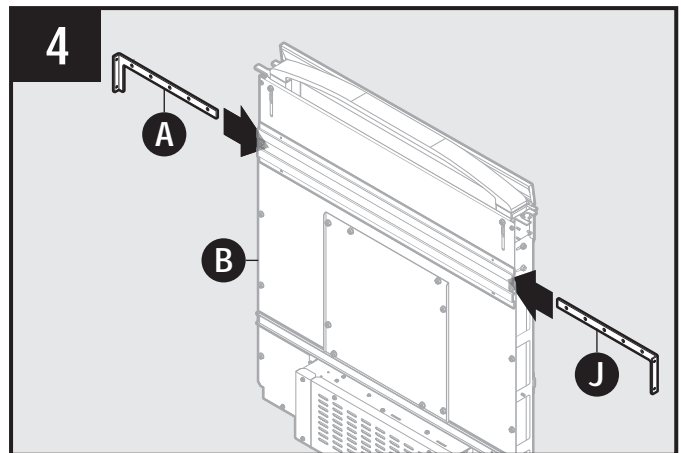
Nota: Opción para la mayoría de las instalaciones. Requerido para las instalaciones del ventilador DBI-600A cuando la descarga descende.



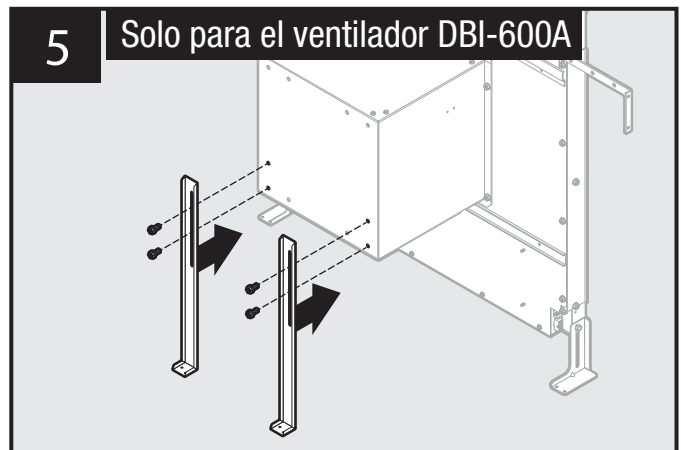
Montaje final



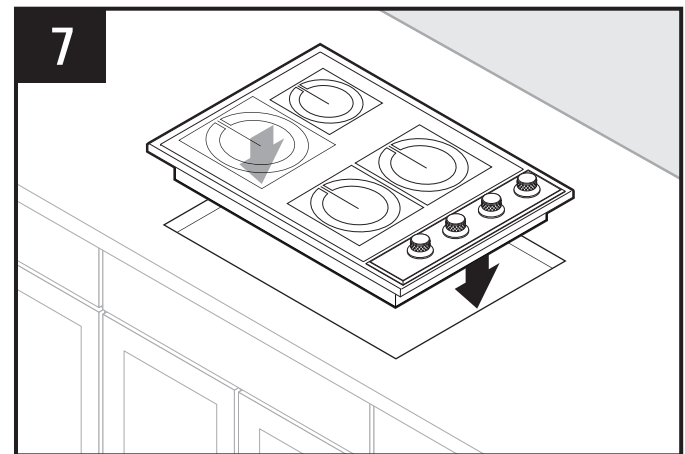
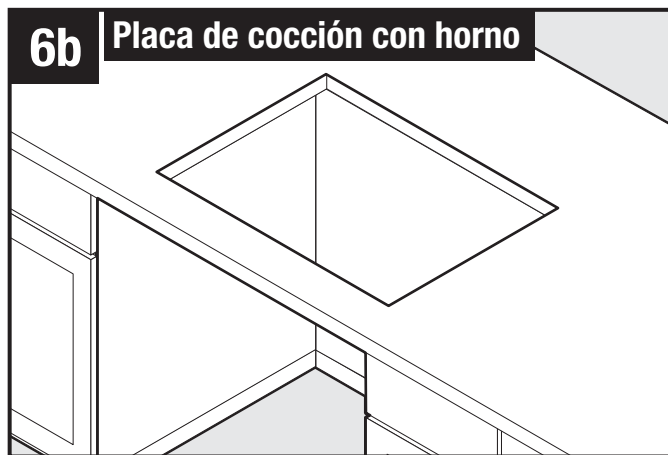
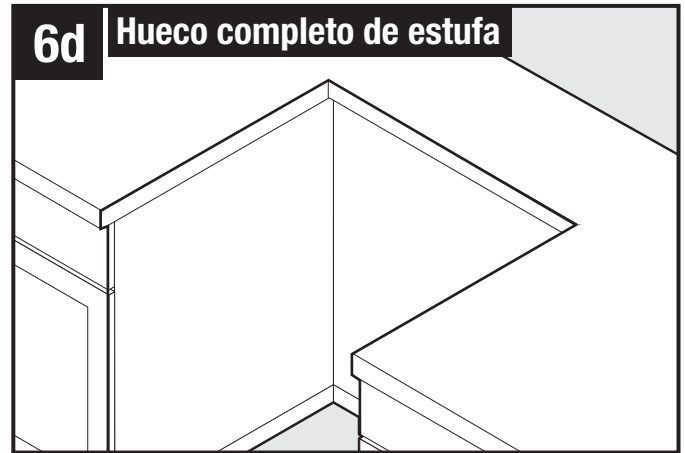
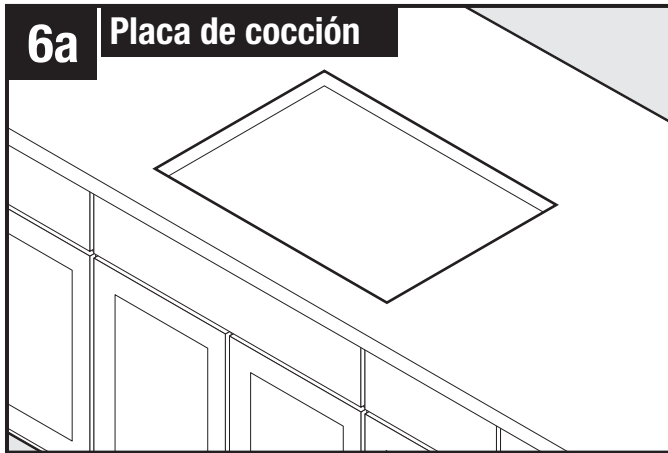
Acople las patas de apoyo inferiores (E) al tiro descendente (B) utilizando una tuerca para cada pata.



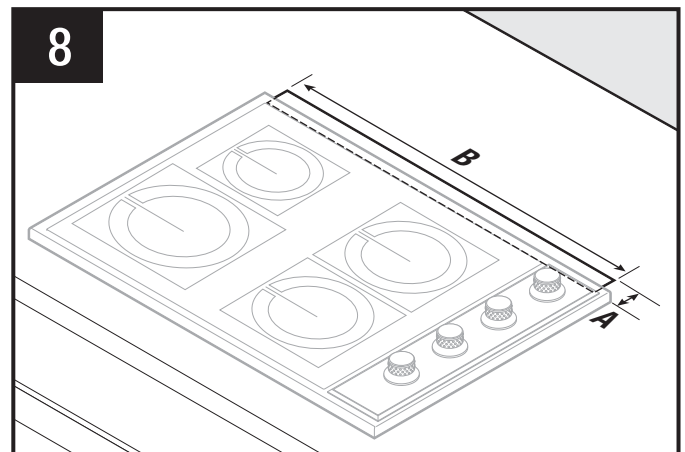
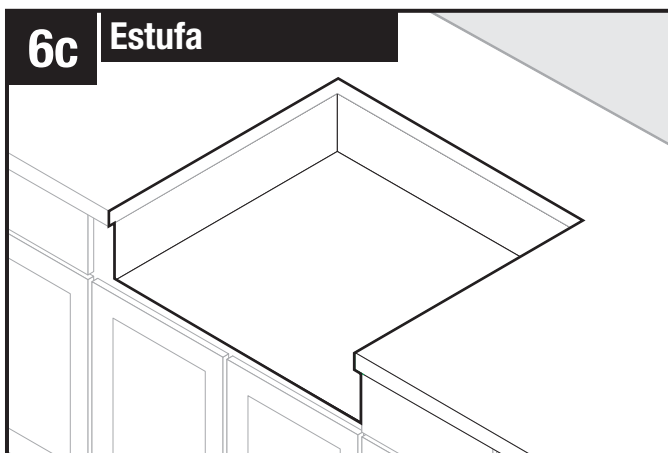
Deslice los soportes de apoyo superiores (A, J) en los canales laterales del tiro descendente (B).



Recorte de abertura del tope



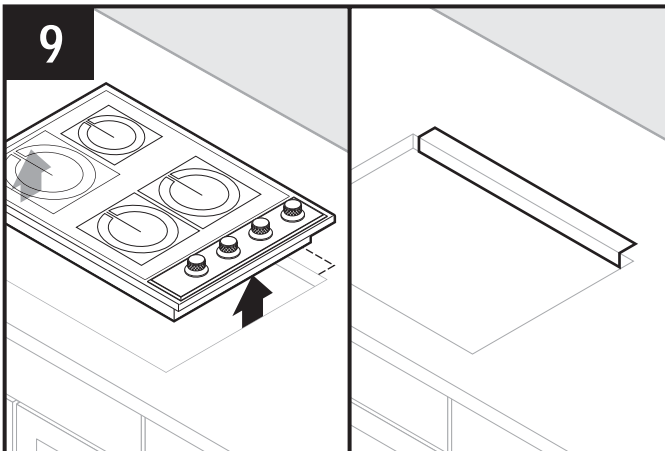
Coloque el aparato.
Nota: Placa de cocción mostrada.



Centre la plantilla contra la brida trasera y marque la abertura del tiro descendente.

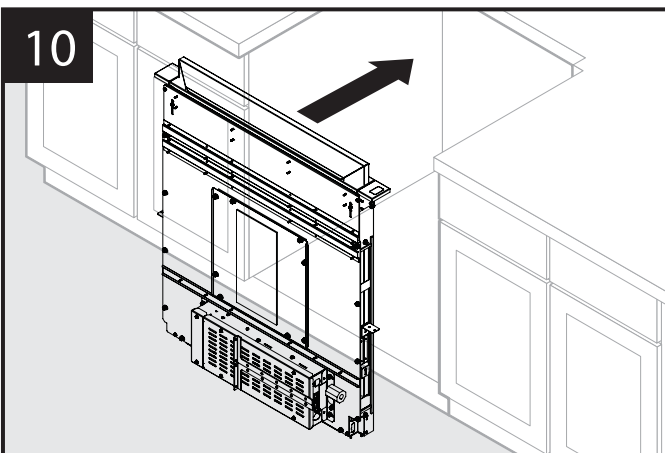
A = 1-7/8 pulg. (4,71 cm) B = 27-1/4 pulg. (68,50 cm) DLI-E30ASX,
33-1/4 pulg. (83,74 cm) DLI-E36ASX.

Recorte de abertura del tope (continuación)

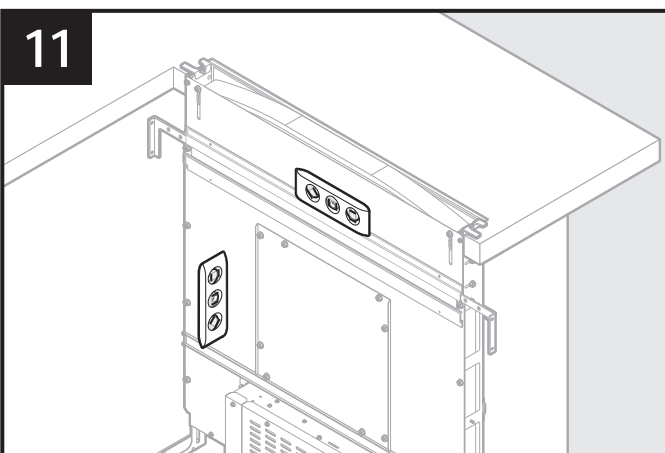


Retire la placa/aparato de cocción y recorte la abertura.

Instale la carcasa en el gabinete



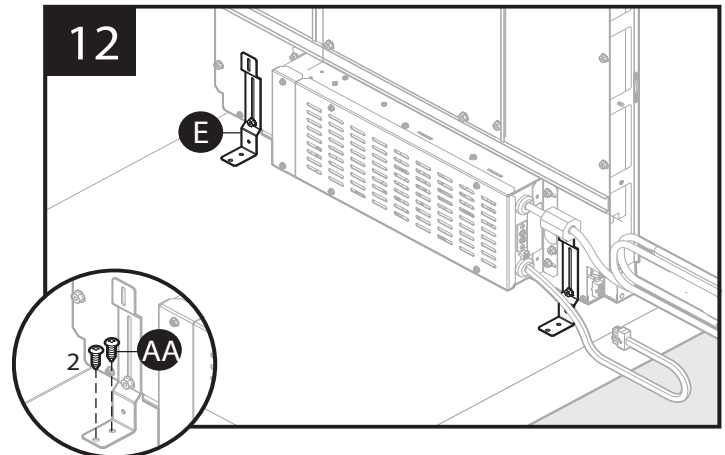
Coloque la carcasa en el gabinete.



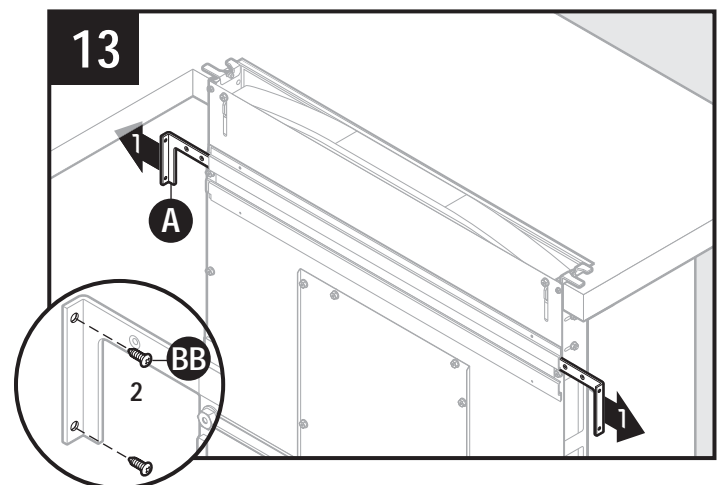
Carcasa de nivel.

Nota: para los pasos 11-15, no se muestra el gabinete derecho para ofrecer una explicación más clara.

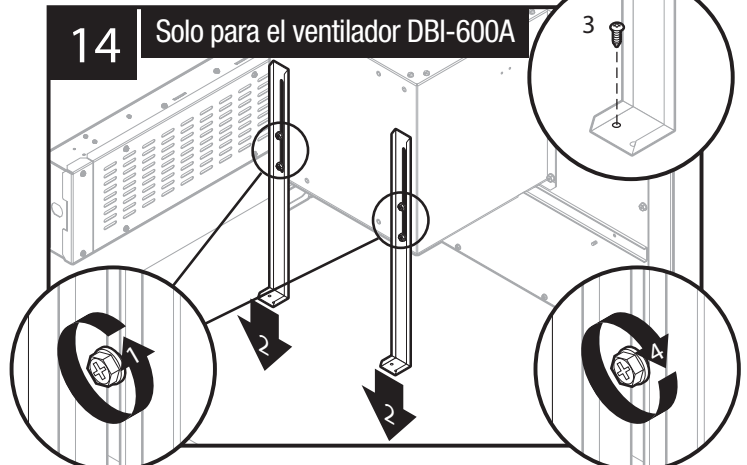
Instale la carcasa en el gabinete (continuación)



Acople las patas de apoyo (E) a la parte inferior del gabinete con dos tornillos (AA) pro pata. Ajuste los tornillos hexagonales. Nota: Si se retira la parte inferior del gabinete, utilice bloques como separadores entre el piso y las patas de apoyo.

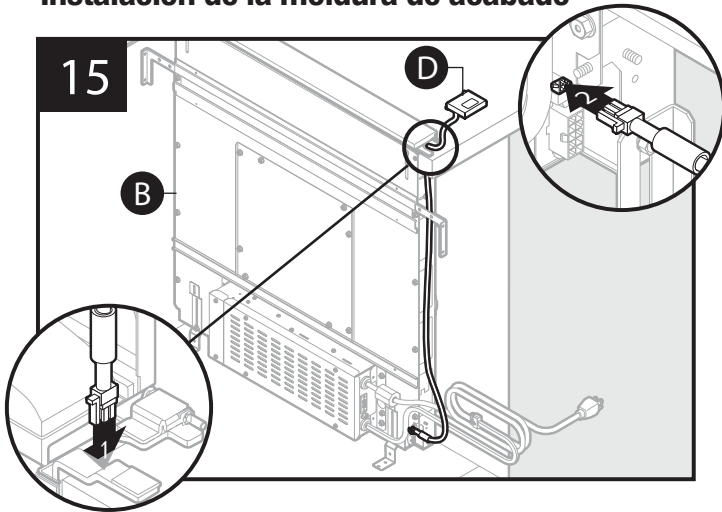


Extienda los soportes de apoyo superiores (A) y acoplados a los lados del gabinete con dos tornillos (BB) por soporte.



Afloje los cuatro tonillos que unen las patas de apoyo al ventilador DBI-600A. Extienda las patas y fíjelas a la parte inferior del gabinete con un tornillo a través de cada soporte. Vuelva a ajustar los cuatro tornillos del ventilador.

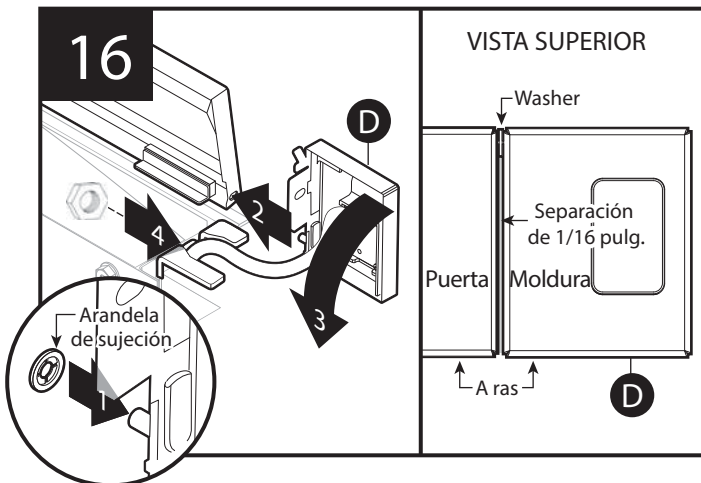
Instalación de la moldura de acabado



! PRECAUCIÓN

Solo conecte o desconecte el CABLE DEL BOTON DE ASCENSO con la alimentación principal apagada durante al menos 60 s.

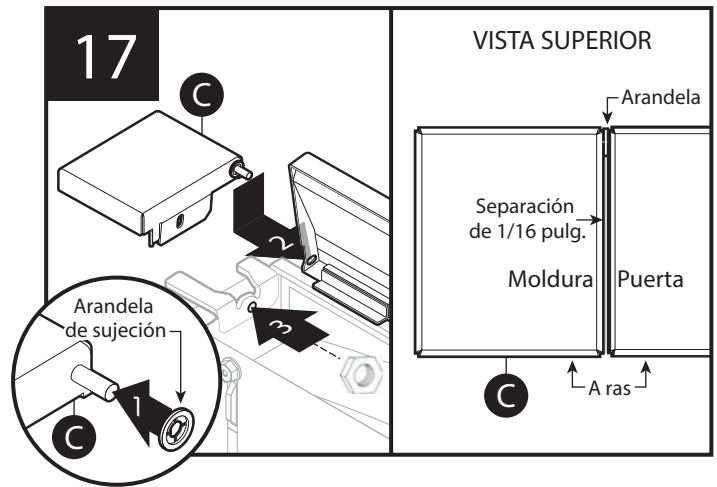
Inserte el arnés de cables con el cable desde el botón superior derecho (D) en la abertura en el lado del tiro ascendente (B). Inserte el arnés de cables del botón superior (D) en el receptáculo en el lado inferior derecho del tiro descendente (B).



Posicione la tapa de acabado derecha (D) y comience a atornillar. No ajuste el tornillo por completo. Coloque la arandela de sujeción en la tapa de acabado derecha. Introduzca el perno de la bisagra en la ranura de la puerta abatible.

Nota: Asegúrese de que el acabado quede plano sobre la superficie de la encimera, al ras con la puerta superior, haya un ESPACIO de 1/16" entre el acabado y la puerta superior, y no se pellizquen los cables.

Instalación de la moldura de acabado (continuación)



Coloque la arandela de sujeción en la tapa de acabado izquierda (C). Introduzca el perno de la bisagra en la ranura de la puerta abatible. Posicione la tapa de acabado izquierda y la puerta abatible. Las tapas de acabado deben permanecer planas en la encimera. Alinee las tapas de acabado y termine el montaje a mano ajustando los tornillos de la tapa de corte. Nota: Asegúrese de que el acabado quede plano sobre la superficie de la encimera, al ras con la puerta superior y haya un ESPACIO de 1/16" entre el acabado y la puerta superior (0,16 cm) entre la moldura y la puerta superior.

Instalación de los conductos

! PRECAUCIÓN

ANTES DE CORTAR EL AGUJERO EN EL GABINETE PARA LOS CONDUCTOS, compruebe si hay interferencias con viguetas del piso, vigas de pared, cableado eléctrico o tuberías.

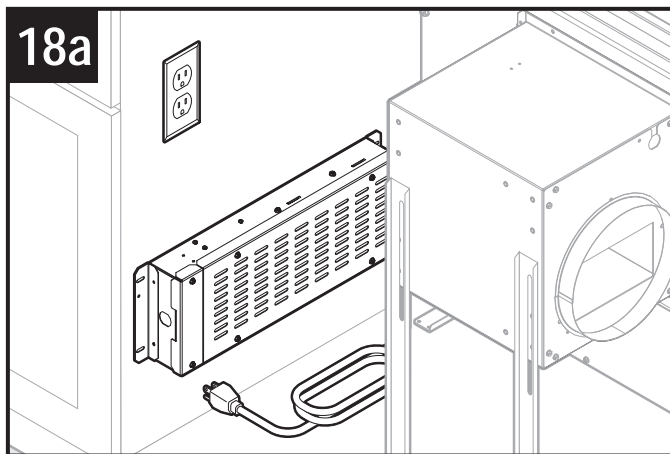
- Consulte las Configuraciones de conductos en la sección Planificación de este documento.
- Corte el agujero en el gabinete así como los agujeros en la pared o piso, de ser necesario.
- Monte el techo o tapa de pared y trabaje hacia atrás, hacia el gabinete, conectando los conductos, codos y transiciones como se planificó previamente. Coloque cinta en todas las conexiones de los conductos para fijarlas y que queden herméticas al aire.
- Conecte los conductos (y la transición, de ser el caso) al tiro descendente.

Solo para el ventilador DBI-600A

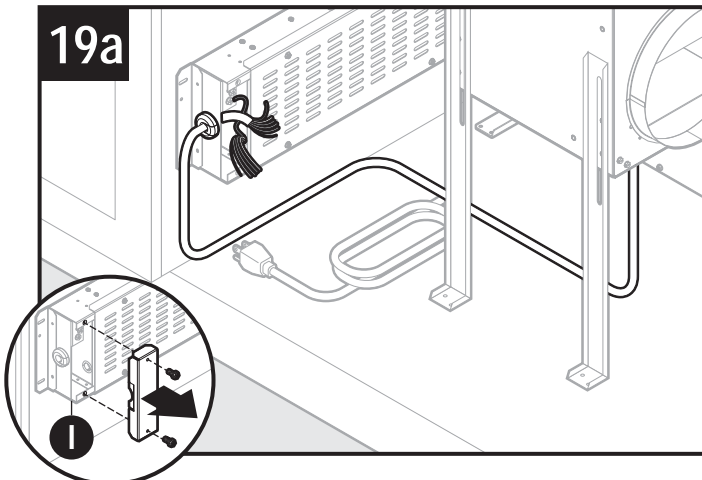
PRECAUCIÓN

Personal calificado debe realizar todo el cableado eléctrico de acuerdo con los códigos y normas correspondientes.

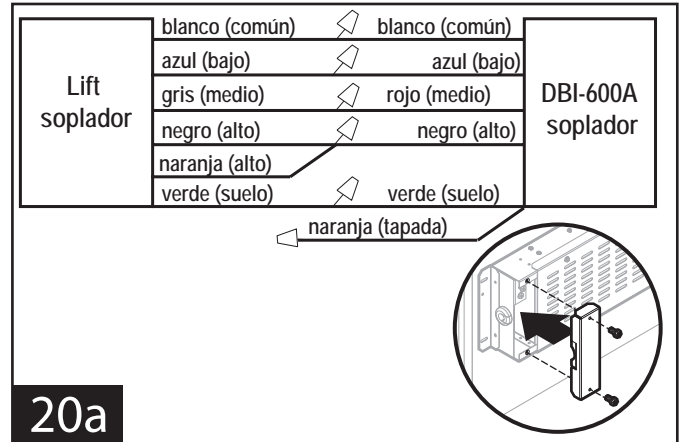
- Este ventilador de tiro descendente que utiliza el ventilador DBI-600A (que se compra por separado) consume 3,0 A y requiere un circuito de 120 VCA y 60 Hz.
- La unidad tiene un cable de alimentación de 30 pulgadas de largo con un enchufe de tres clavijas. Planifique la conexión a tierra en una ubicación que permita que el cable de alimentación de la unidad la alcance.
- Instale el cajetín eléctrico de acuerdo con los códigos locales.



Monte una caja de cableado estándar con un receptáculo de tres clavijas al alcance del cable de alimentación del tipo descendente (tienda el cable de alimentación adecuado y conéctelo al receptáculo).

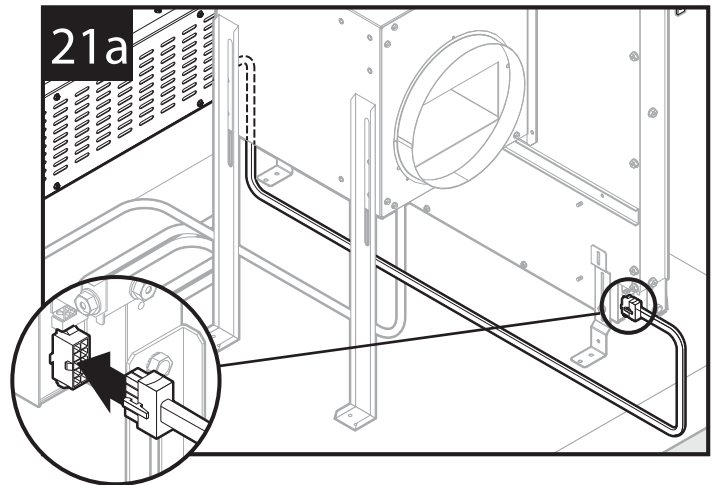


Retire la cubierta del panel eléctrico (!) y pase el cable del ventilador hacia la caja de cableado.

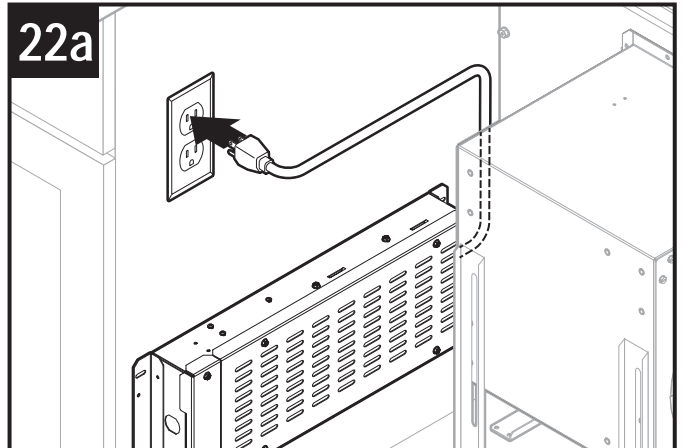


Conecte los cables del ventilador con los cables del panel eléctrico. Vuelva a colocar la cubierta del panel eléctrico.

Nota: El cable naranja de la cubierta está tapado y no está conectado.



Enchufe el cable del panel eléctrico en el receptáculo inferior en el lado del tiro de descendente.



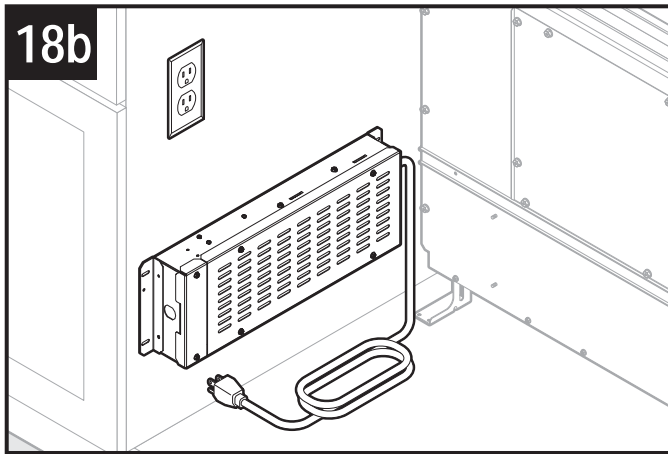
Enchufe el cable de alimentación del tiro descendente en los tomacorrientes. Nota: Asegúrese de que el cable de alimentación se tienda alejado del calor generado por la placa de cocción.

Solo para el ventilador exterior o en línea

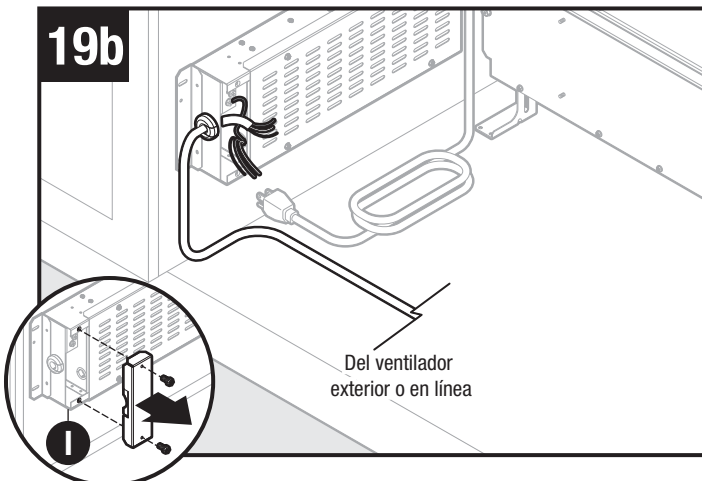
PRECAUCIÓN

Personal calificado debe realizar todo el cableado eléctrico de acuerdo con los códigos y normas correspondientes.

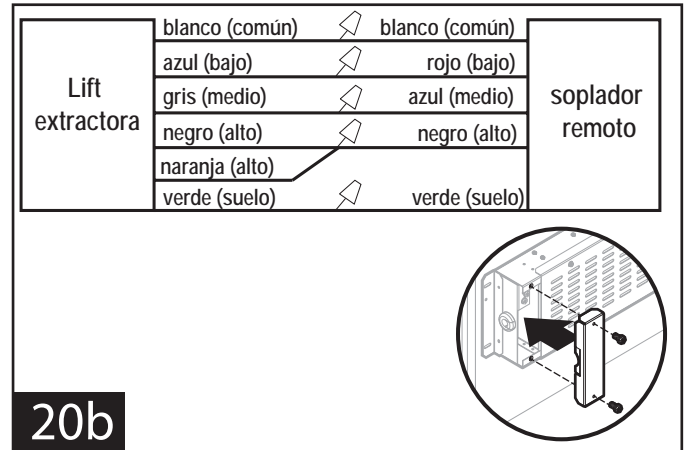
- Si utiliza un ventilador remoto (que se compra por separado), el sistema consume 6,0 A (máx.) y requiere un circuito de 120 VCA y 60 Hz.
- La unidad tiene un cable de alimentación de 30 pulgadas de largo con un enchufe de tres clavijas. Planifique la conexión a tierra en una ubicación que permita que el cable de alimentación de la unidad la alcance.
- Instale el cajetín eléctrico de acuerdo con los códigos locales.



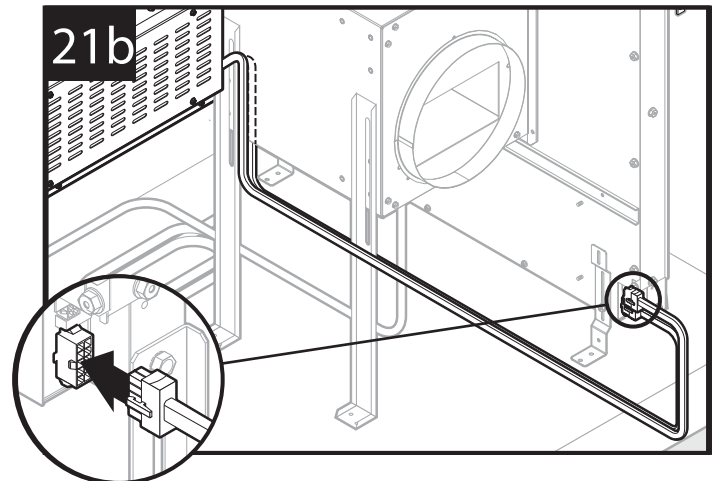
Monte una caja de cableado estándar, con un receptáculo de 3 clavijas, dentro del alcance del cable de alimentación del tiro descendente. Tienda el cable de alimentación adecuado y conéctelo al receptáculo.



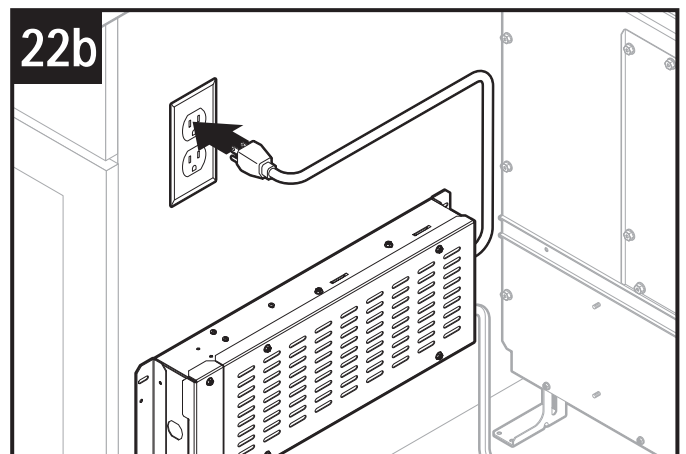
Retire la cubierta de la caja de cableado y pase el cable del ventilador hacia la caja de cableado.



Conecte los cables del ventilador a los cables en la caja de cableado. Vuelva a colocar la cubierta de la caja de cableado.
Nota: El cable naranja de la cubierta está tapado y no está conectado.



Enchufe la cubierta del panel eléctrico en el receptáculo inferior como se muestra.



Enchufe el cable de alimentación del tiro descendente en los tomacorrientes.
Nota: Asegúrese de que el cable de alimentación se tienda alejado del calor generado por la placa de cocción.

Instale el aparato de cocción

1. Alinee el aparato de cocción con el tiro descendente y fije el aparato en la posición correcta siguiendo las instrucciones del aparato.

Nota: Es necesario alinear exactamente el aparato de cocción y el tiro descendente para asegurarse de que no haya interferencia cuando se aumente o disminuya la ventilación de aire. Debe haber una separación de 1/32 pulg. a 1/16 pulg. (0,79 mm a 1,59 mm) entre la parte trasera de la placa de cocción y la parte delantera de la cubierta del tiro descendente.

Panel de control y botón de ascenso

Botón + ventilador

- Presione para aumentar la velocidad del ventilador.
- Después de alcanzar la velocidad máxima, presione el botón + una vez más para apagar el ventilador.

Botón - ventilador

- Presione para disminuir la velocidad del ventilador.
- Después de alcanzar la velocidad mínima, presione el botón - una vez más para apagar el ventilador.

Control de luz de 2 niveles

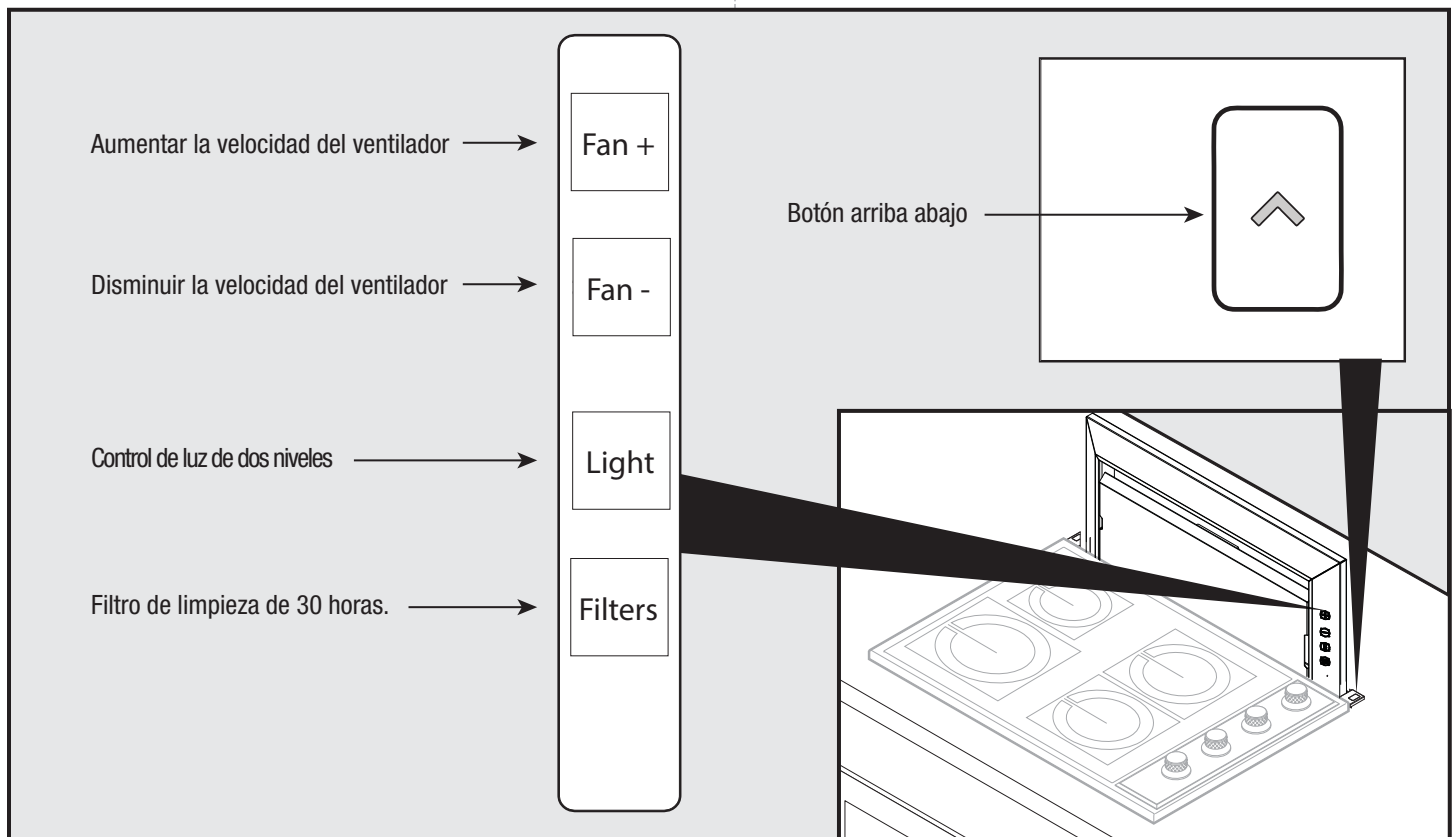
- Presione una vez para atenuar el nivel.
- Presione dos veces para el nivel de brillo.
- Presione tres veces para apagar la luz.

Filtro de 30 horas de recordatorio de limpieza

- Después de 30 horas de soplado a tiempo, el ícono de limpieza de filtro parpadeará continuamente.
- Para restablecer, toque y mantenga presionado el ícono durante dos o más segundos. El indicador se apagará.

Botón arriba abajo

- Para retraer la chimenea, toque el botón hacia abajo. Cualquier característica que esté activa se apagará.
- Toque el botón en el borde derecho para levantar la chimenea. Todas las funciones volverán a su configuración anterior.



Cocción

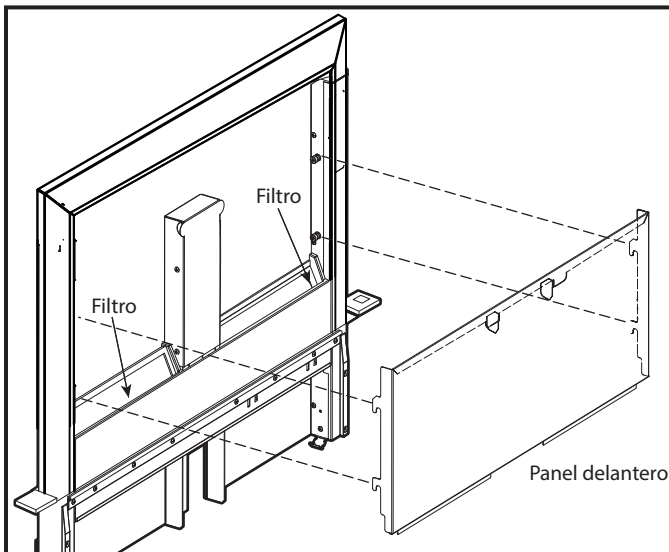


Siempre desconecte el suministro de alimentación eléctrica antes de limpiar o realizar mantenimiento a la unidad.

Siempre encienda el ventilador de tiro descendente antes de que comience la cocción para establecer el flujo de aire en la cocina. Deje que el ventilador funcione durante unos pocos minutos para limpiar el aire después de apagar la placa de cocción. Esto mantiene la cocina más limpia y brillante.

Se recomienda utilizar los quemadores traseros al cocinar con ollas altas o cuando el método de cocción genere gran cantidad de humo o vapor. La combinación del uso de los quemadores traseros y el funcionamiento de la unidad a alta velocidad aumenta la probabilidad de que todo el humo y el vapor sea retirado por el tiro descendente.

Limpieza



Si no se acoplan correctamente las lengüetas, la chimenea podría atascarse y no levantarse.

Para limpiar los filtros de grasa:

Levante el PANEL DELANTERO hacia arriba y afuera y saque los **FILTROS DE GRASA**. Lave los filtros en una solución detergente suave o un lavaplatos. Vuelva a colocar los filtros y el panel delantero antes de utilizar el tiro descendente. Asegúrese de acoplar las **LENGÜETAS** en el panel delantero detrás de las asas, como se muestra.



Si no se acoplan correctamente las lengüetas, la chimenea podría atascarse y no levantarse.

Para limpiar el interior de la chimenea:

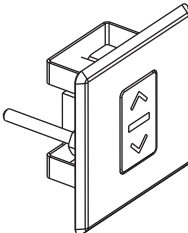

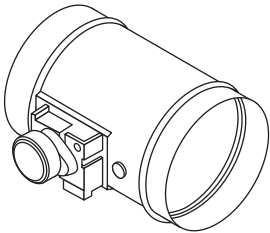
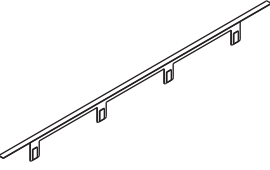
Levante el panel delantero hacia arriba y afuera y saque los **FILTROS DE GRASA**. Utilice un detergente suave. **NO UTILICE PAÑOS ABRASIVOS, ALMOHADILLAS DE LANA DE ACERO O POLVOS ABRASIVOS**. Vuelva a colocar los filtros y el panel delantero antes de utilizar el tiro descendente. Asegúrese de acoplar las **LENGÜETAS** en el panel delantero detrás de las **ASAS**, como se muestra.

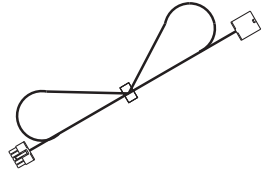
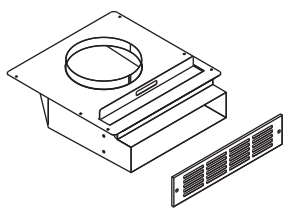
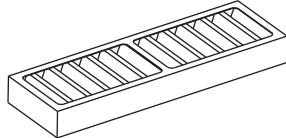
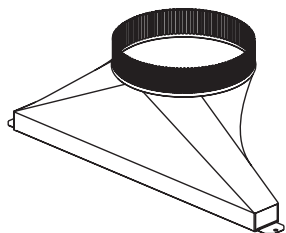
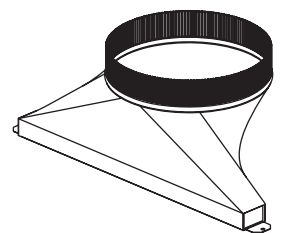
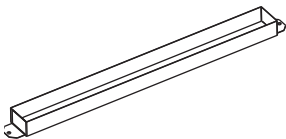
Servicio

Puede ser necesario retirar el sistema de ventilador de tiro descendente del gabinete para realizar el mantenimiento de los componentes, como el motor del ventilador o el mecanismo de ventilación.

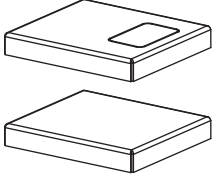
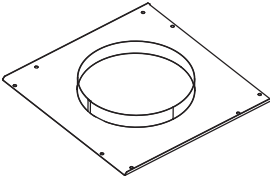
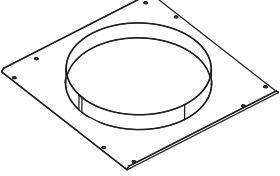
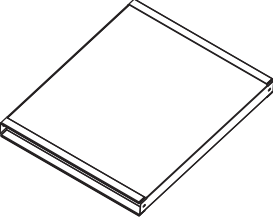
Desconecte la alimentación de la placa de cocción y retírela primero. Invierta los pasos de "INSTALE LA CARCASA EN EL GABINETE" para retirar el tiro descendente del gabinete.

Accesorios opcionales

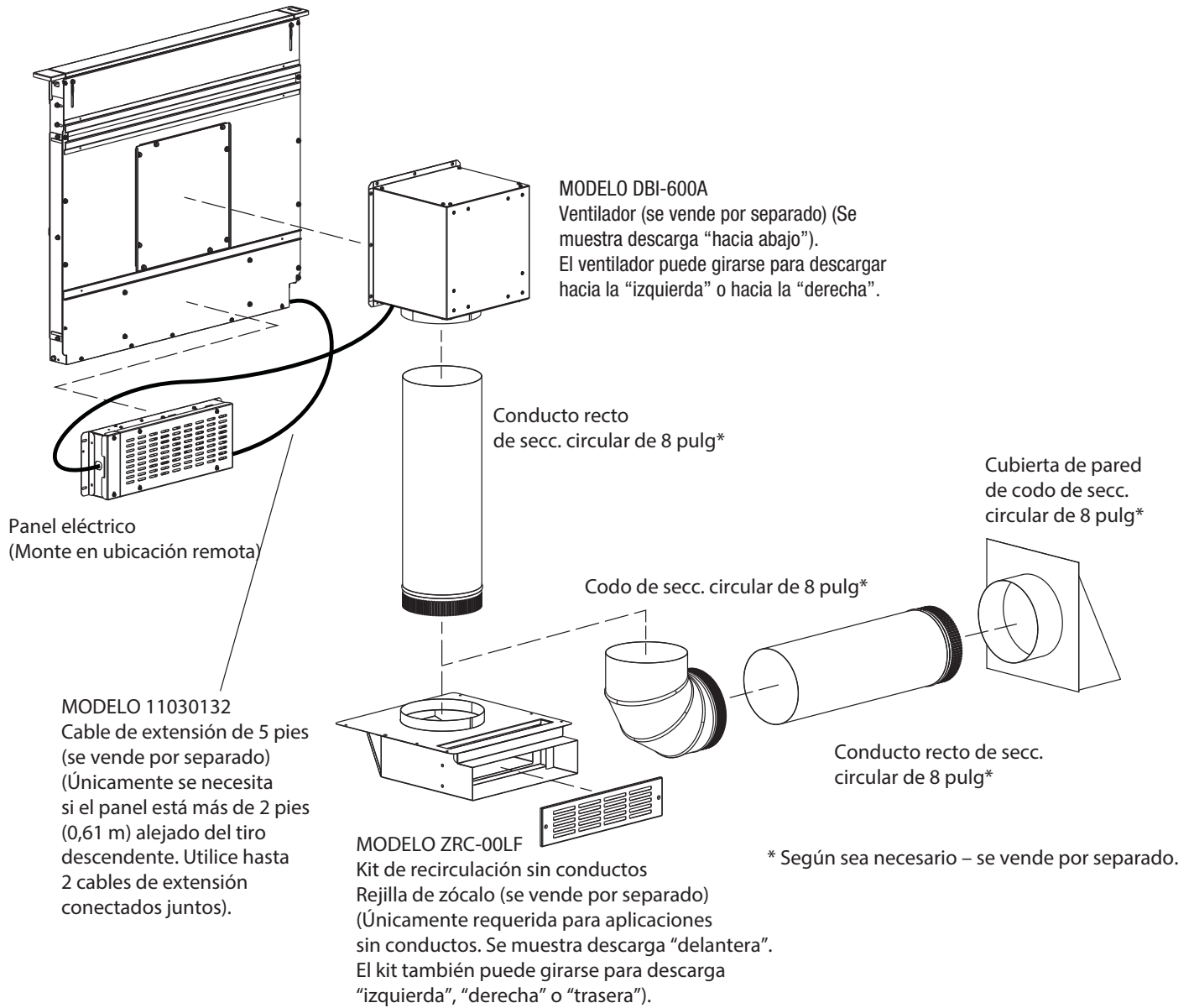
Accesorio	Descripción
Modelo DDA-0002 	<p>CONTROL REMOTO ASCENSO/DESCENSO</p> <p>Utilícelo cuando no pueda alcanzar el botón ASCENSO/DESCENSO /UP/DOWN) en la chimenea de tiro descendente.</p> <p>ES posible que esté ubicado en el tope, al frente de los gabinetes o en el gabinete lateral de una isla. Tamaño de recorte: 2 1/4 pulg. (5,72 cm) de altura x 2 pulg. (5,1 cm) de ancho.</p> <p>No puede utilizarse donde el control remoto interfiera con la cocción, donde pueda colocarse sartenes calientes, o donde se puedan derramar líquidos calientes en el control.</p> <p>(El cableado remoto se conecta con una conexión de 6 clavijas)</p>
MODELOS DDS-0030 DDS-0036 	<p>KIT DE SELLOS DE LA PLACA DE COCCIÓN DE GAS</p> <p>Se recomienda para utilizarse con todas las placas de cocción a gas. Incluye el soporte y sello de la moldura.</p>
MODELOS MUA008A MUA010A 	<p>REGULADOR DE AIRE DE REEMPLAZO</p> <p>Utilice para proporcionar aire de reemplazo (cuando sea necesario) para mantener el hogar cómodo al permitir que el tiro descendente funcione a niveles óptimos.</p>
MODELOS DDT-0030 DDT-0036 	<p>KIT DE MOLDURAS DE LA ESTUFA</p> <p>Utilice con una estufa independiente – cuando hay una separación entre la parte trasera de la estufa y el tiro descendente.</p>

Accesorio	Descripción
MODELO 11030132 	<p>CABLE DE EXTENSIÓN – 5 PIES (1,5 m).</p> <p>Utilice cuando el panel eléctrico esté montado de forma remota. Extiende el cable del panel eléctrico 5 pies (1,5 m) adicionales.</p>
MODELO ZRC-00LF 	<p>KIT DE RECIRCULACIÓN SIN CONDUCTOS</p> <p>Utilice cuando no sea posible utilizar conductos o no estén disponibles. Monte en un zócalo o en la base de un gabinete y conéctelo directamente al ventilador Modelo DBI-600A utilizando un conducto de sección circular de 8". El kit se puede girar para que la extracción no quede directamente en sus pies. Incluye filtro de recirculación y placa de cubierta decorativa.</p>
MODELO ZOF-C006 	<p>REEMPLAZO DEL FILTRO DE RECIRCULACIÓN</p> <p>Filtro de repuesto para el kit de recirculación sin conductos ZRC-00LF. Utilice para capturar eficazmente los contaminantes de la cocción.</p>
MODELO AK00070 	<p>TRANSICIÓN DE SECCIÓN CIRCULAR 1-7/8 PULG. X 19 PULG. A 8 PULG.</p> <p>Transición de sección rectangular a sección circular de 8 pulg. para extracción izquierda, derecha o trasera – con el ventilador Modelo DBI-600A. Puede acoplarse a la unidad de tiro descendente o al conducto de sección rectangular (AK00072). Incluye clips en S para un acoplamiento fácil y seguro.</p>
MODELO AK00071 	<p>TRANSICIÓN DE SECCIÓN CIRCULAR 1-7/8 PULG. X 19 PULG. A 10 PULG.</p> <p>Transición de sección rectangular a sección circular de 10 pulg. para extracción izquierda, derecha o trasera – con el ventilador externo. Puede acoplarse a la unidad de tiro descendente o al conducto de sección rectangular (AK00072).</p>
MODELO AK00072 	<p>ADAPTADOR RECTANGULAR PARA 1-7/8 PULG. X 19 PULG.</p> <p>Utilice para conectar conductos de sección rectangular 1-7/8 pulg. x 19 pulg. directamente al tiro descendente cuando utilice la extracción lateral o trasera.</p>

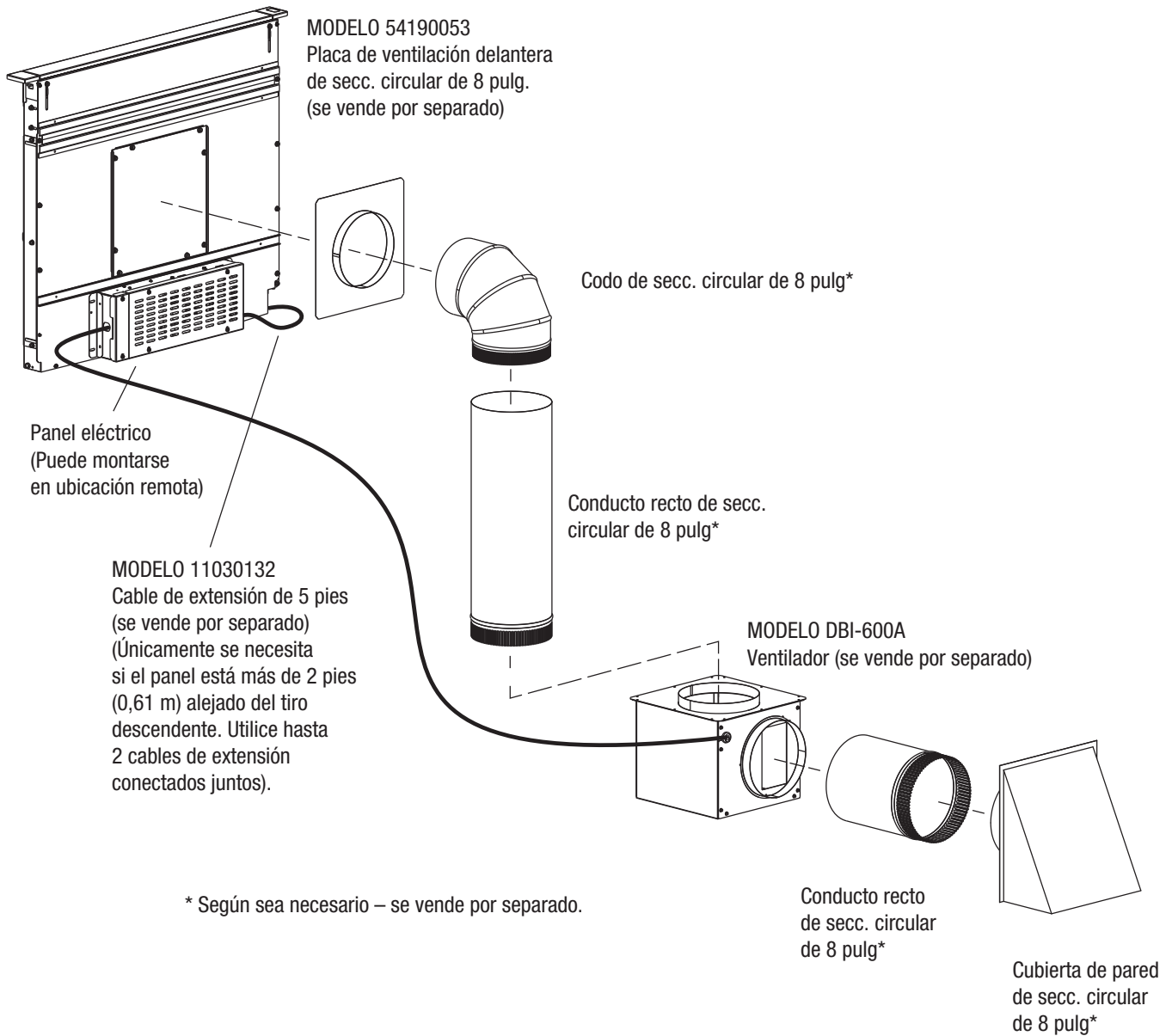
Accesorios opcionales (continuación)

Accesorio	Descripción
<p>MODELO DDE-0001</p> 	<p>EXTENSIÓN DE MOLDURA FINAL +1 PULG. (2,54 cm) DE ANCHO – IZQUIERDA Y DERECHA Utilice la izquierda y la derecha para aumentar el ancho total de la moldura en 1 pulg. (2,54 cm).</p>
<p>MODELO 54190053</p> 	<p>PLACA DE VENTILADOR DE PANEL DELANTERO DE SECCIÓN CIRCULAR DE 8 PULG. Utilice cuando el conducto o codo de sección circular de 8" se conecte al frente de la caja de ventilación (Instalación de ventilador remoto Modelo DBI-600A).</p>
<p>MODELO 54190054</p> 	<p>PLACA DE VENTILADOR DE PANEL DELANTERO DE SECCIÓN CIRCULAR DE 10 PULG. Utilice cuando el conducto o codo de sección circular de 10" se conecte al frente de la caja de ventilación (Instalación de ventilador exterior o en línea).</p>
<p>MODELO AK00080</p> 	<p>CONDUCTO SECC. RECTANGULAR – 2 PIES (0,61 m). SECCIONES (1-7/8 PULG. X 19 PULG.) Construcción de acero galvanizado.</p>

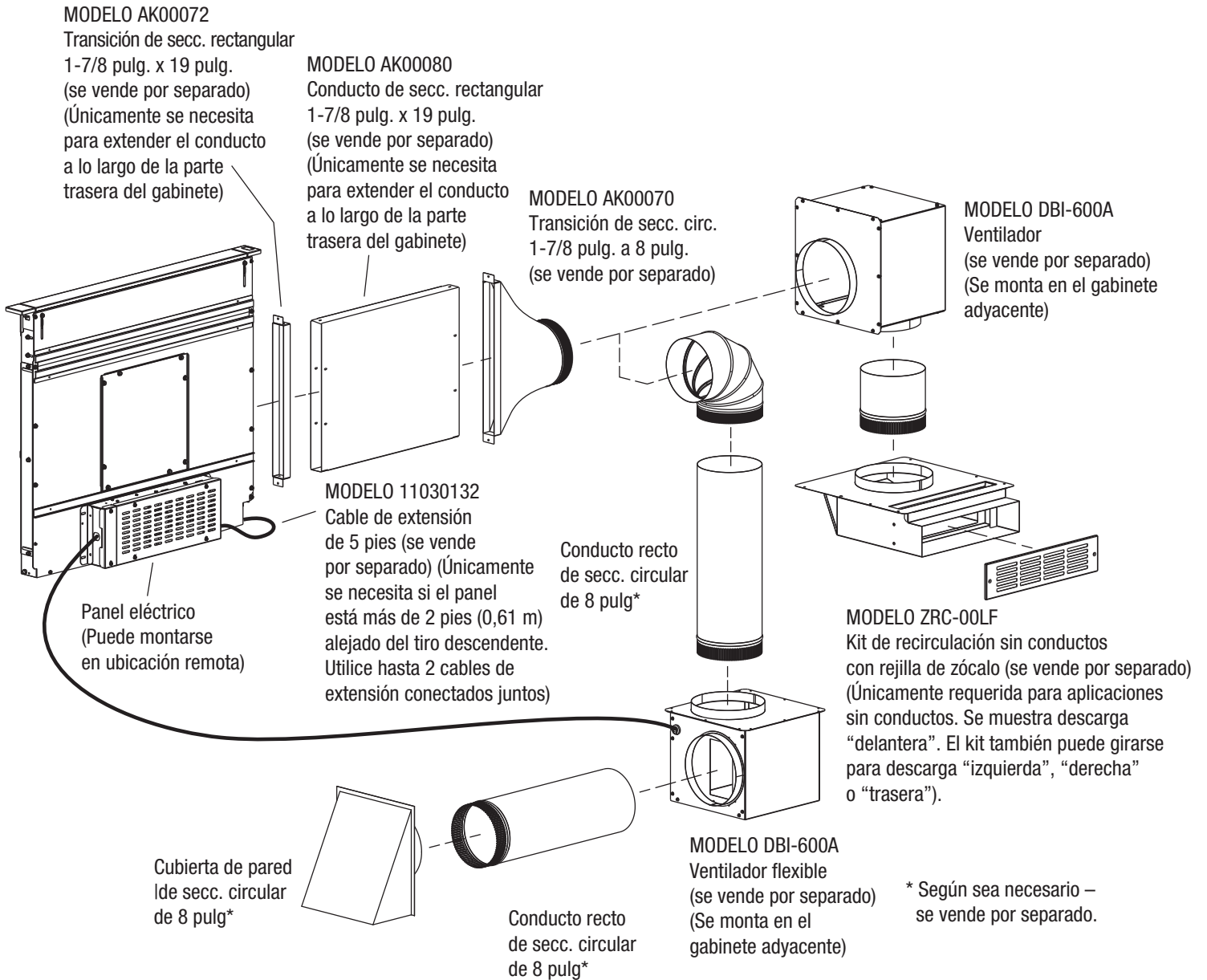
Ventilador interno (DBI-600A) – Parte delantera montada en el tiro descendente



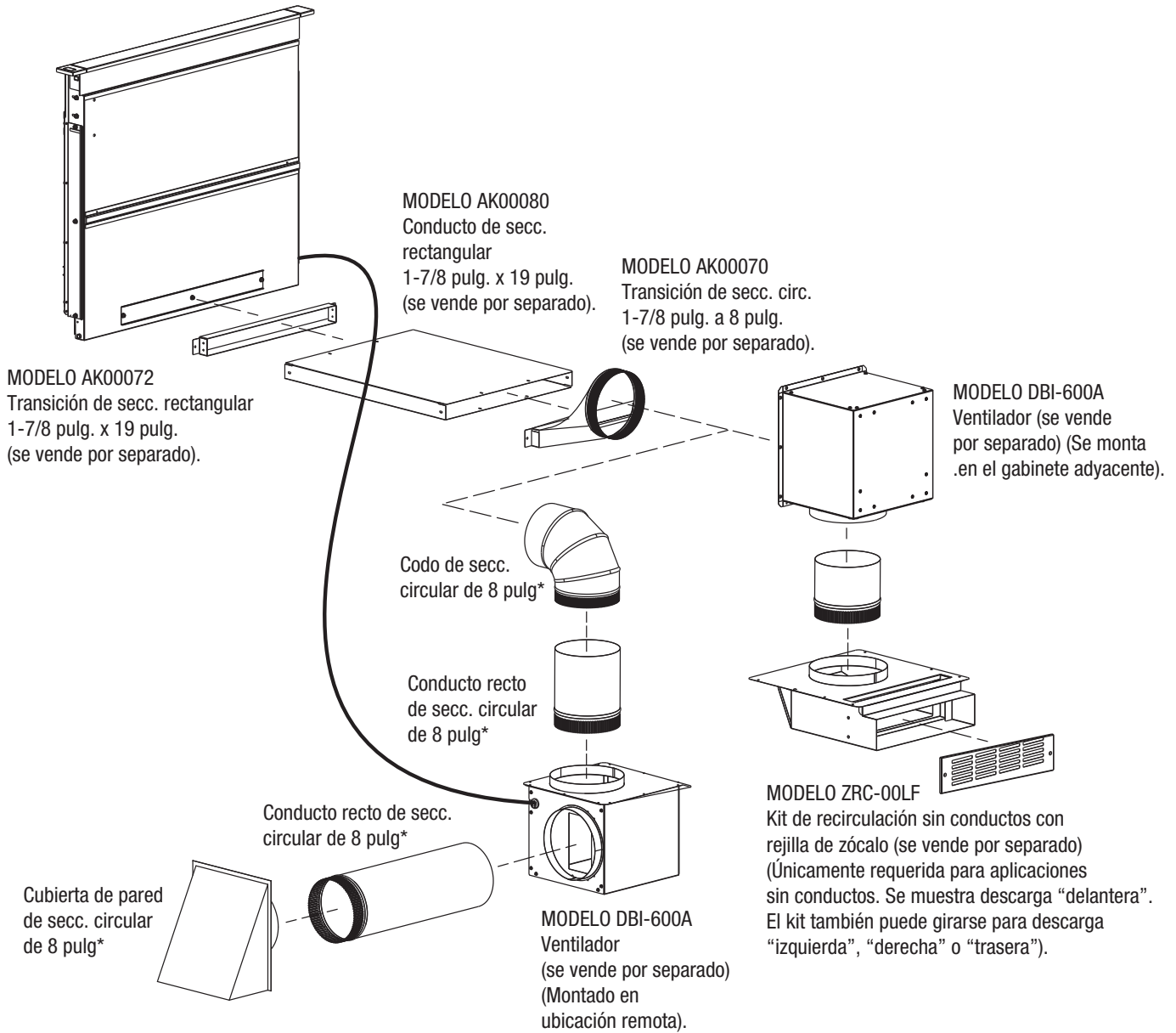
Ventilador interno (DBI-600A) – Montado de forma remota – Salida delantera



Ventilador interno (DBI-600A) – Montado de forma remota – Salida lateral o trasera

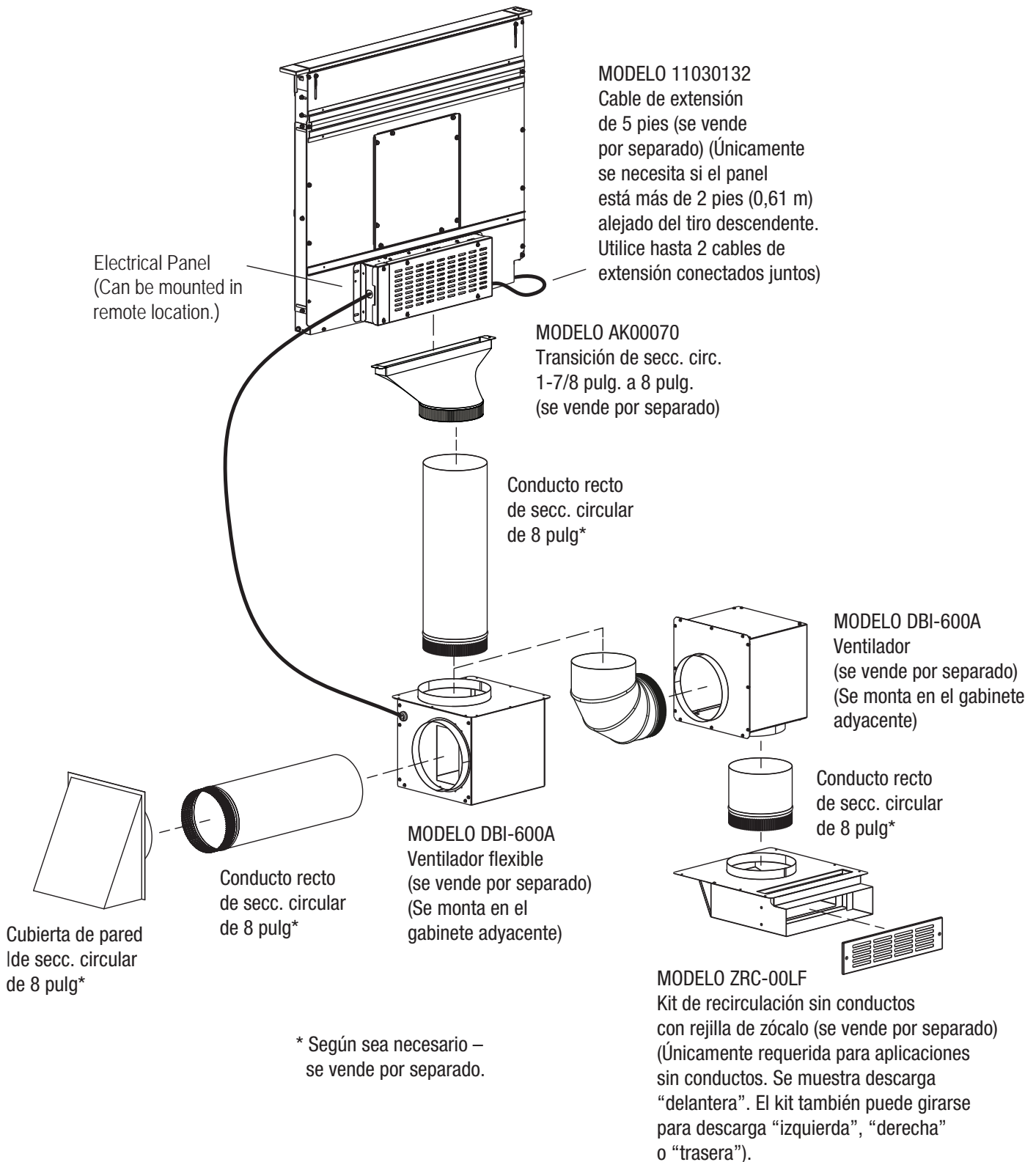


Ventilador interno (DBI-600A) – Montado de forma remota – Salida trasera

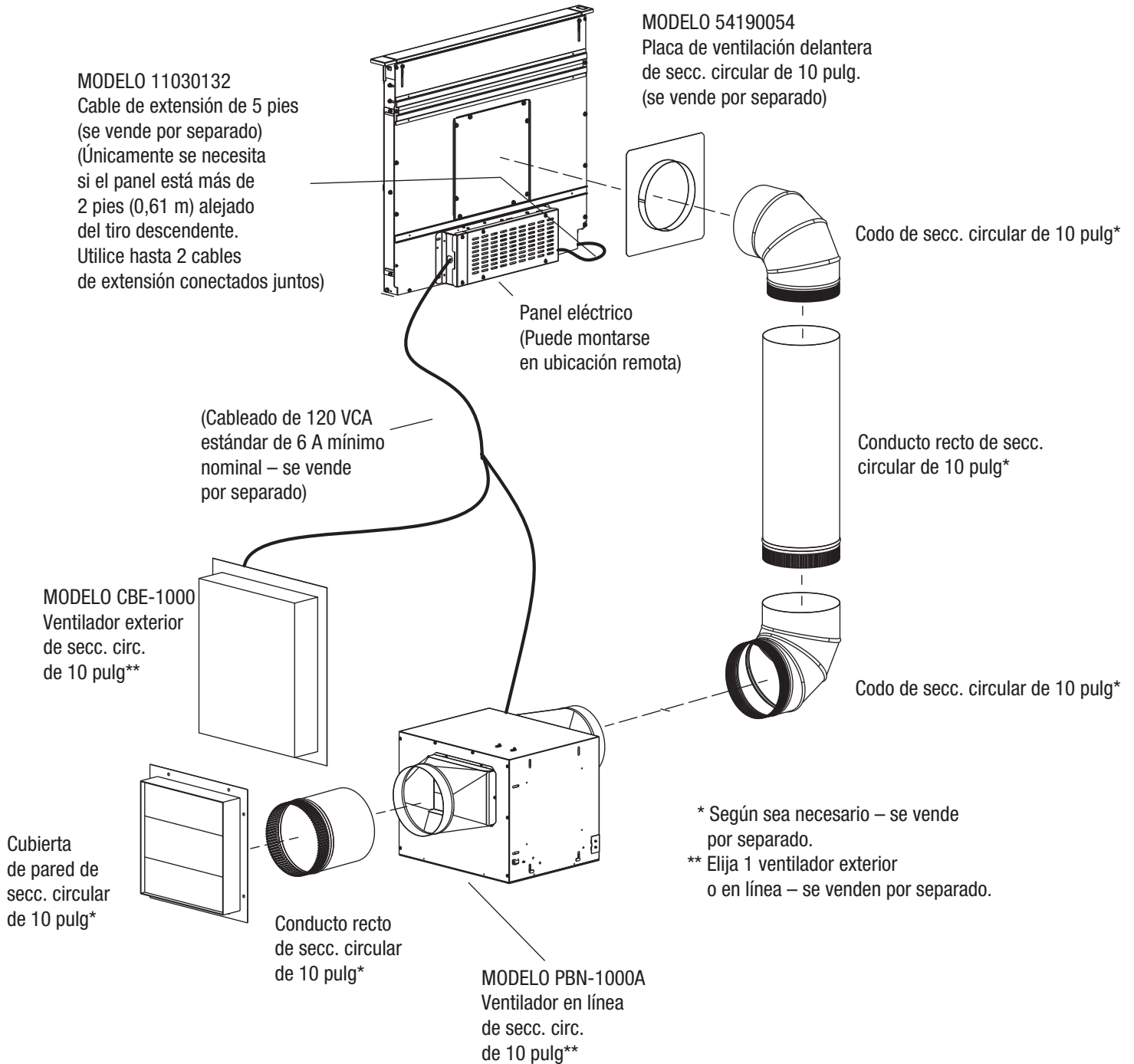


* Según sea necesario – se vende por separado.

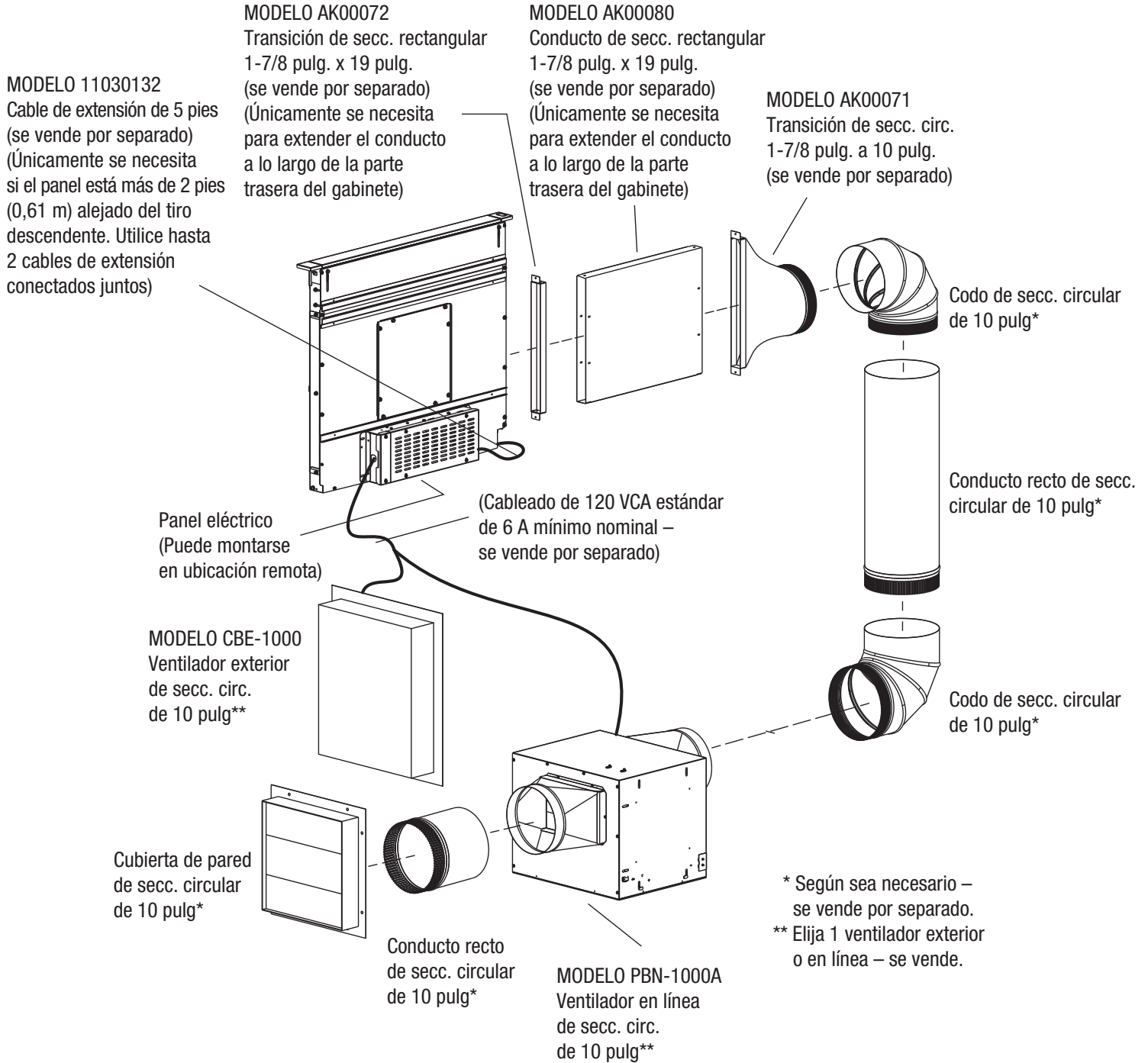
Ventilador interno (DBI-600A) – Montado de forma remota – Salida trasera



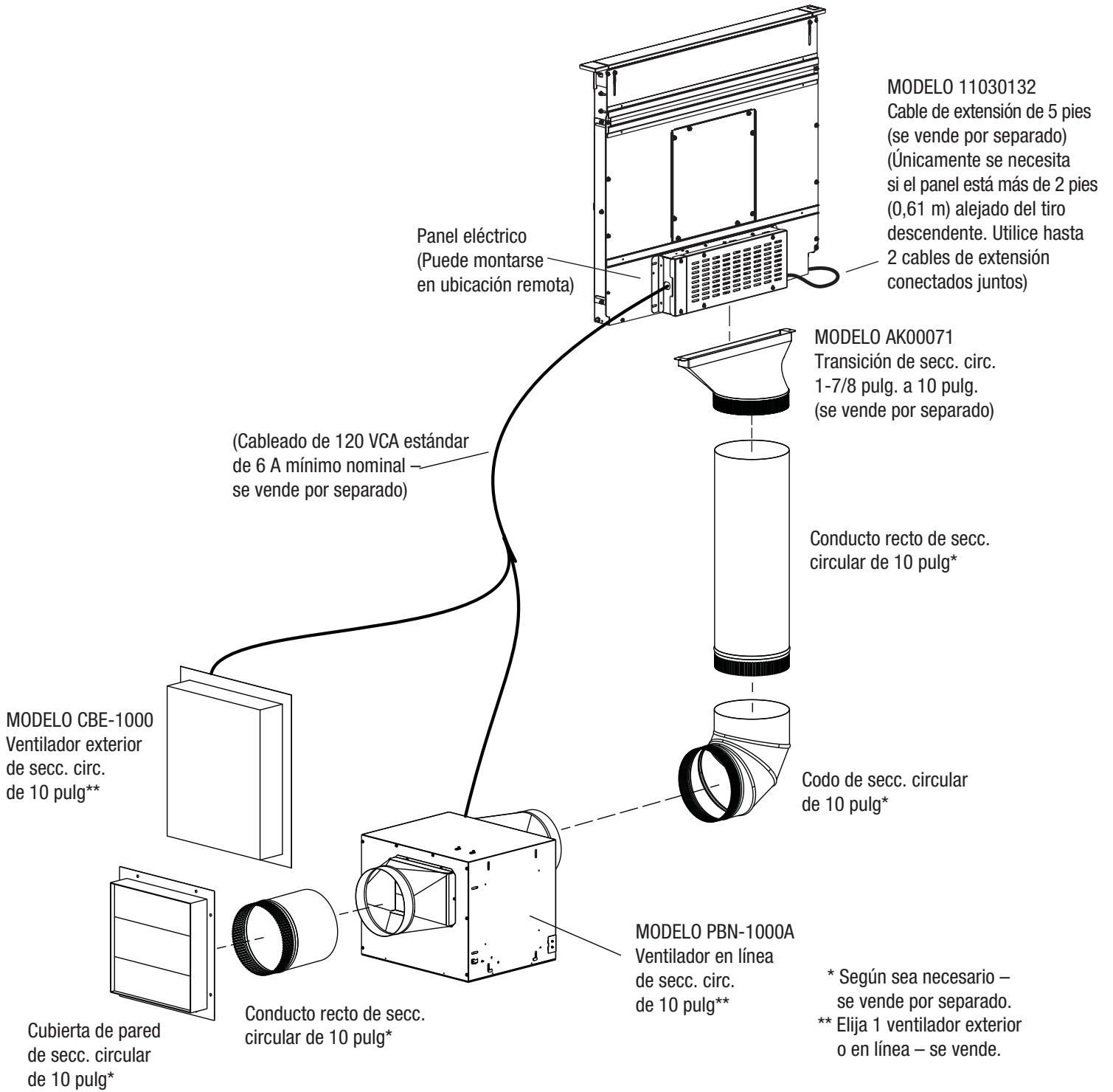
Ventilador exterior o en línea – Salida lateral o trasera

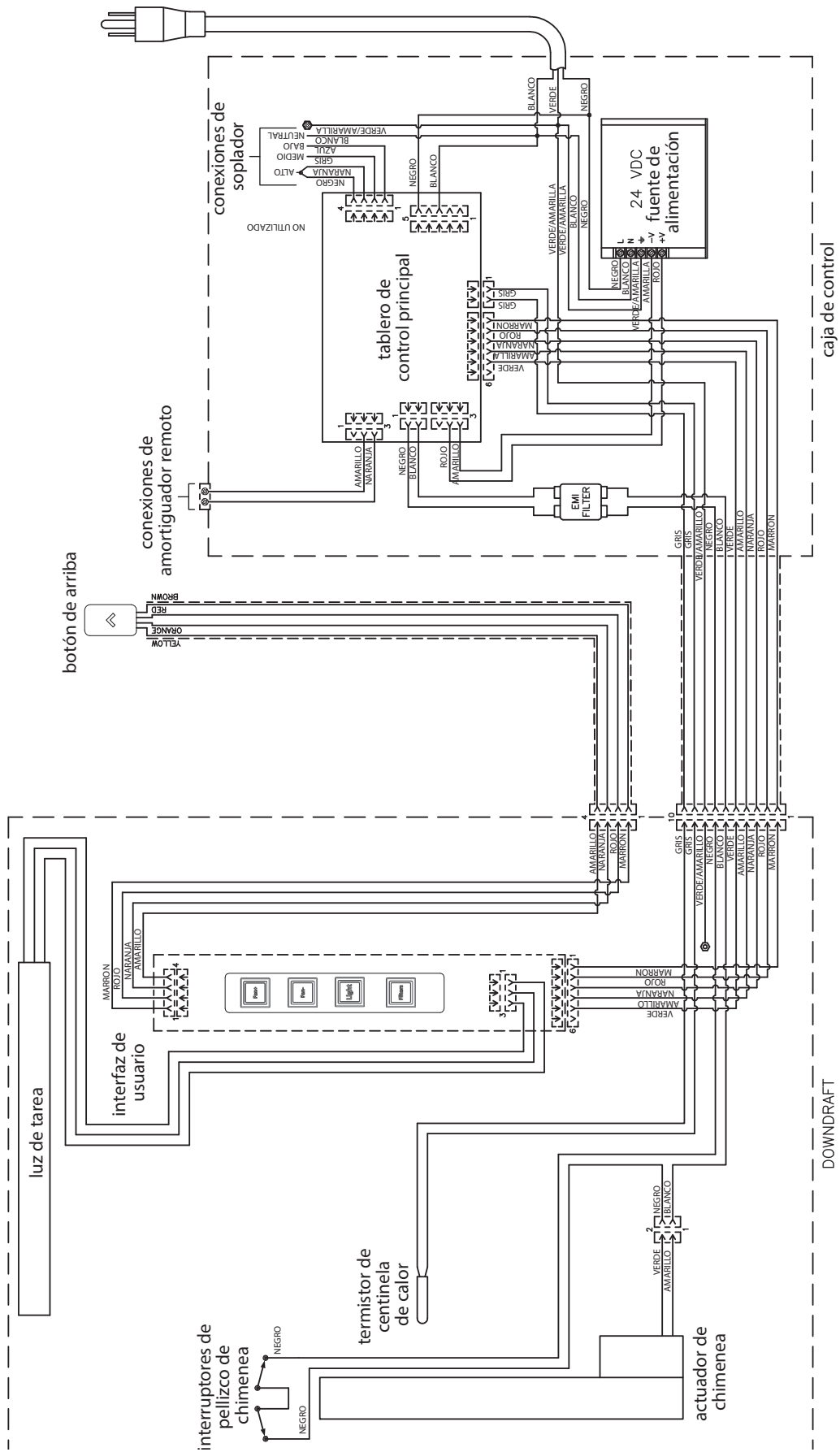


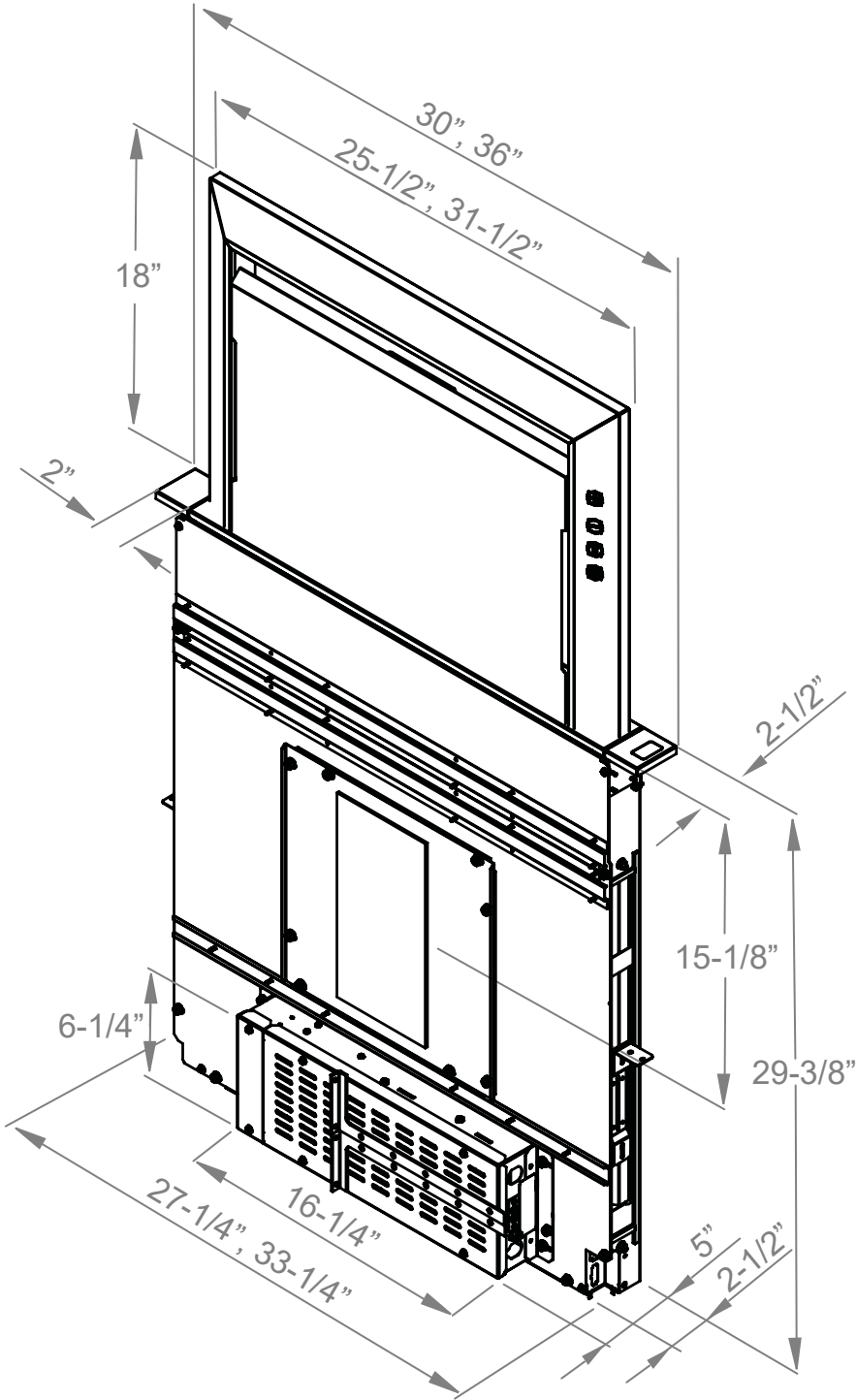
Ventilador exterior o en línea – Doble conducto – Salidas laterales



Ventilador exterior o en línea – Salida lateral o trasera









GRAPE SU RECIBO AQUÍ
Se requiere un comprobante de
la fecha de compra original para
obtener servicio bajo garantía

PARA OBTENER SERVICIO BAJO GARANTÍA O SI TIENE ALGUNA PREGUNTA RELACIONADA CON EL MANTENIMIENTO, LLAME AL 1-888-880-8368

Zephyr Ventilation, LLC (en adelante "nosotros" o "nos") garantiza al comprador original (en adelante "usted" o "vuestro/a") de productos Zephyr (los "productos") que esos productos están exentos de defectos materiales y de fabricación, tal como se describe más abajo:

Garantía limitada de dos años sobre las piezas: Durante dos años a partir de la fecha de compra original de los productos proporcionaremos sin cargo productos o piezas (incluso bombillas LED, si fuese aplicable) para reemplazar las que hubiesen fallado debido a defectos de fabricación, teniendo en cuenta las exclusiones o limitaciones descritas más abajo. Podemos elegir, según nuestro criterio, reparar o reemplazar piezas antes de elegir reemplazar los productos.

Garantía limitada de un año sobre la mano de obra: Durante un año a partir de la fecha de la compra original de los productos, cubriremos sin cargo los costes de mano de obra derivados de la reparación de los productos o el remplazo de las piezas que fallaron debido a defectos de fabricación, teniendo en cuenta las exclusiones o limitaciones descritas más abajo. Después del primer año a partir de la fecha de compra original, usted es responsable de todos los costes de mano de obra asociados a la presente garantía.

Exclusiones de la garantía: Esta garantía cubre únicamente la reparación o el reemplazo, según nuestro criterio, de los productos o piezas defectuosos, y no cubre otros costes relacionados con los productos, incluso, sin limitarse a ello, los siguientes: (a) mantenimiento y servicio requerido para los productos y las piezas consumibles como las bombillas fluorescentes, incandescentes o halógenas, los filtros de malla o de carbón, y los fusibles; (b) productos o piezas con daños producidos durante el transporte, por un mal uso, negligencia, accidente, instalación incorrecta o contraria a las instrucciones de instalación recomendadas, una reparación o mantenimiento inadecuados (llevados a cabo por otra entidad diferente de nosotros); (c) uso comercial o gubernamental de los productos, o que no concuerden de otra forma con los fines previstos; (d) desgaste natural del acabado de los productos, o desgaste ocasionado a un mantenimiento inadecuado, uso de productos de limpieza corrosivos o abrasivos, de estropajos y de productos de limpieza para el horno; (e) desconchados, abolladuras o grietas ocasionados al abuso o mal uso de los productos; (f) desplazamientos del servicio técnico a su domicilio para enseñarle como utilizar los productos; (g) daños ocasionados por accidentes, incendios, inundaciones, desastres naturales, o (h) instalaciones o modificaciones a medida que tengan consecuencias sobre la capacidad funcional de los productos. Si usted se encuentra fuera de nuestra zona de servicio, se podrían aplicar cargos adicionales al coste de expedición para beneficiarse de una reparación bajo garantía en nuestras instalaciones de servicio designadas. También podrán aplicarse cargos adicionales a los costes de desplazamiento para que un técnico vaya a su domicilio para reparar, quitar o volver a instalar los productos. Transcurrido el primer año a partir de la fecha de la compra original, usted también será responsable de todos los costes de mano de obra asociados a la presente garantía. Todos los productos deben ser instalados por un instalador profesional cualificado para que usted pueda beneficiarse de una reparación o un de un servicio de mantenimiento bajo garantía.

Limitaciones de la garantía. NUESTRA OBLIGACION DE REPARAR O REEMPLAZAR, SEGÚN NUESTRO CRITERIO, CONSTITUIRÁ SU ÚNICO Y EXCLUSIVO RECURSO BAJO LA PRESENTE GARANTIA. NO SEREMOS RESPONSABLES DE NINGÚN DAÑO FORTUITO, CONSECUENTE O ESPECIAL PRODUCIDO POR EL USO O EL FUNCIONAMIENTO DE LOS PRODUCTOS. LAS GARANTIAS EXPRESAS DE LA SECCIÓN ANTERIOR SON EXCLUSIVAS Y SUSTITUYEN CUALQUIER OTRA GARANTÍA EXPRESA. POR LA PRESENTE, RECUSAMOS Y EXCLUIMOS OTRAS GARANTÍAS EXPRESAS PARA LOS PRODUCTOS, Y RECUSAMOS Y EXCLUIMOS TODAS LAS GARANTÍAS IMPLÍCITAS POR LEY, INCLUSO LAS DE COMERCIALIZACIÓN Y ADECUACIÓN PARA UN DETERMINADO FIN.

Ya que algunos estados o provincias no permiten limitaciones sobre la duración de una garantía implícita, o la exclusión o limitación de daños fortuitos o consecuentes, las limitaciones o exclusiones mencionadas aquí arriba pueden no aplicarse a su caso. En la medida en que la legislación vigente prohíbe la exclusión de garantías implícitas, la duración de toda garantía implícita aplicable se limita a los mismos períodos de dos años o un año descritos anteriormente, si lo permite la legislación vigente. Toda descripción oral o escrita de los productos tiene como única finalidad identificar los productos y no debe considerarse como una garantía implícita. Antes de utilizar o permitir la utilización de los productos, usted debe establecer la idoneidad de los productos para su uso según lo previsto y asumir cualquier riesgo y responsabilidad vinculados con dicha idoneidad. Nos reservamos el derecho de usar productos y piezas reacondicionados o funcionalmente equivalentes para el reemplazo o el servicio bajo garantía. El comprador original no puede transferir esta garantía, la cual se aplica únicamente al domicilio del consumidor donde se instaló originalmente el producto en Estados Unidos o Canadá. Esta garantía no se extiende a distribuidores.

Para obtener servicio bajo la garantía limitada: Para poder optar al servicio de garantía, usted debe: (a) informarnos en la dirección o en el número de teléfono mencionados en menos de 60 días después de detectar el defecto; (b) facilitarnos el número de modelo y el número de serie; y (c) describir la naturaleza del defecto de la pieza o del producto. En el momento de solicitar servicio bajo garantía, usted debe presentar el comprobante de compra y una prueba de la fecha de compra original. Si determinamos que las exclusiones de las garantías enumeradas arriba son aplicables o si usted no proporciona los documentos necesarios para obtener servicio, usted será responsable de todos los costes de expedición, de desplazamiento, de mano de obra y otros costes relacionados con los servicios. Esta garantía no se extiende o se reinicia al obtener reparación o reemplazo bajo garantía.

Visite nuestra página Web para obtener más información sobre los productos, www.zephyronline.com.

Zephyr Ventilation Service Department, 2277 Harbor Bay Parkway, Alameda, CA 94502 1-888-880-8368