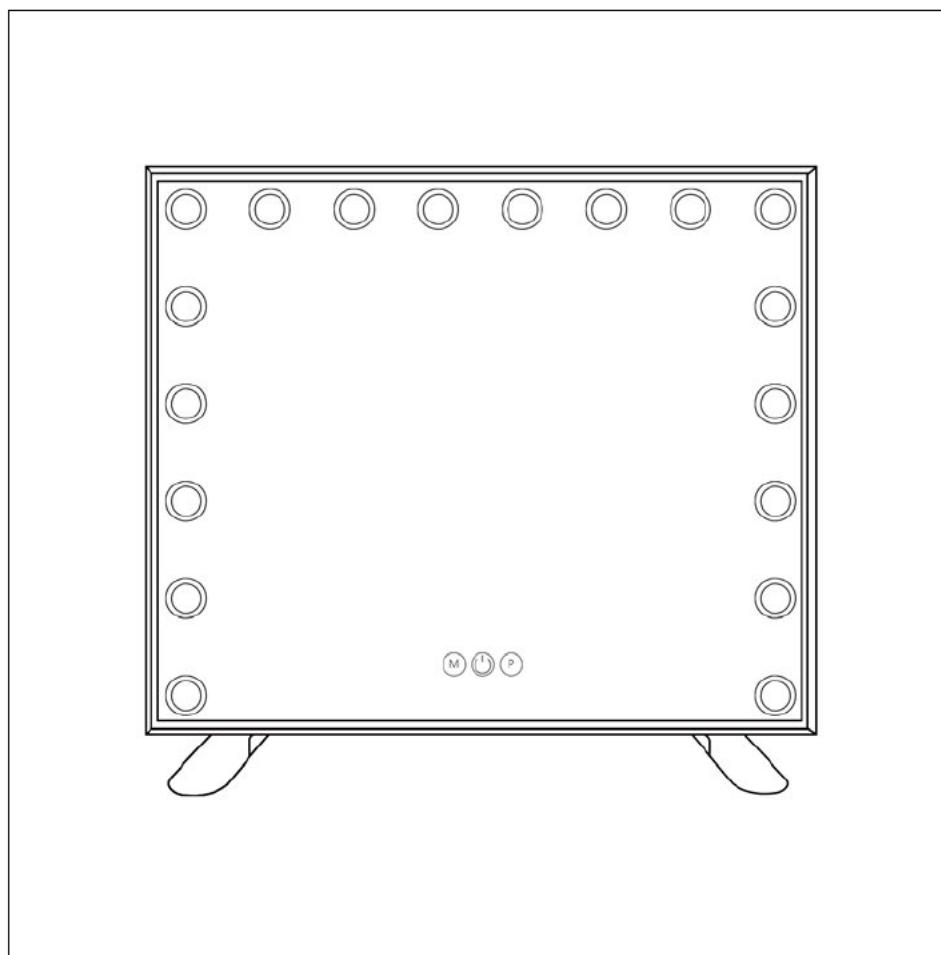
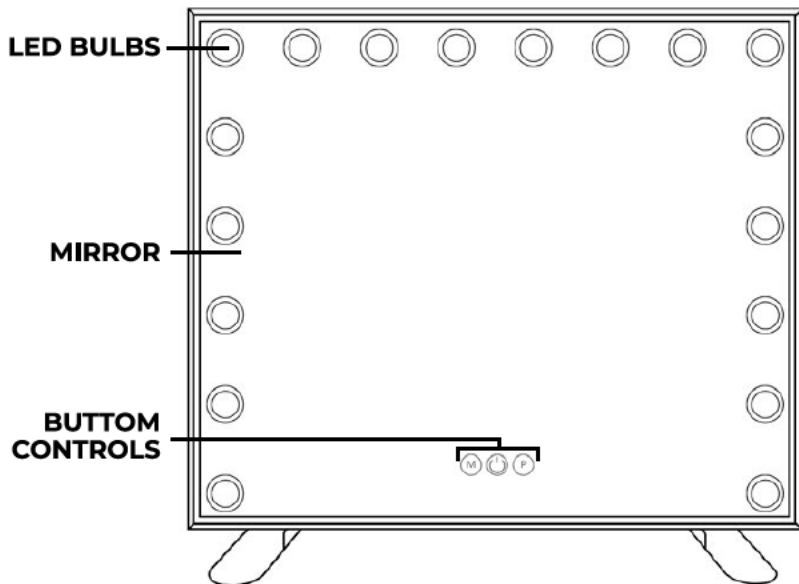


## INSTRUCTION MANUAL



PLEASE READ THIS MANUAL THOROUGHLY  
BEFORE USING THE APPLIANCE

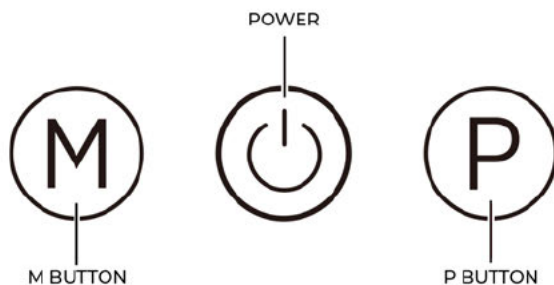
## DETAILS



## DETAILS

**M BUTTON:** Press to change color temperature from warm light to daylight.

**P BUTTON:** Press and **hold** to adjust brightness.



Input Voltage: 220/230V 50HZ

Output Voltage: 12V/2A

Lamp Type: 14X1.3W Bulbs, 2700-6000K

Plug Type: UK Plug

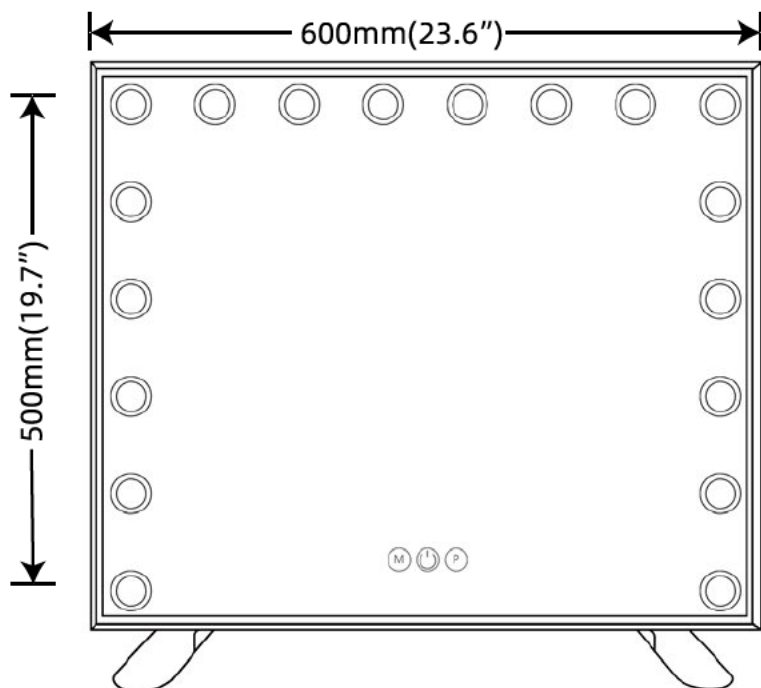
Material: Metal Aluminum

Color: White

Mirror Size: L60cm\*H50cm

Length of Cable: 2m

## DETAILS



---

**The mirrors are under warranty for 1 year.  
The bulbs are not replaceable.**

---

### **Correct Disposal Of This Product**

This marking indicates that this product should not be disposed with other household wastes throughout the EU. To prevent possible harm to the environment or human health from uncontrolled waste disposal, recycle it responsibly to promote the sustainable reuse of material resources. To return your used device, please use the return and collection systems or contact the retailer where the product was purchased. They can take this product for environmental safe recycling.

## Important Safety Instructions:

These instructions are provided for your safety. It's very important that they are

- HOUSE USE ONLY
- LED BULBS ARE EMBEDDED, NON-ADJUSTABLE, NON-REPLACEABLE
- When Unpacked, never place upright on a hard surface. Always lay on soft surface
- Unplug the transformer from the power outlet when the product is not in use.



## DANGER/WARNINGS:

**THIS IS NOT A TOY NOT SUITABLE FOR CHILDREN UNDER THE AGE OF 3 !**

To avoid risk of fire, burns, personal injury and electric shock, be sure to:

- Never plug the mirror into the wall socket until fully assembled.
- Never hang or drape clothes or any other materials over the mirror bulbs. Avoid placing objects against or very near the bulbs.
- Never expose the mirror to direct sunlight. Reflected light can cause fire. Keep cord and bulbs away from heated surfaces.
- Not to play or place mirror where small children can reach it. Close supervision is necessary when mirror is used by, or near children, or disabled persons.
- Never operate this mirror if it has a damaged cord or plug, if it is not working properly, if it has been dropped or otherwise damaged, or submersed in water. Return unit to manufacturer for examination
- Never drop or insert any object into any opening of the mirror.

## PLEASE CAUTION:

**IF YOU THINK THE POWER IS OFF WHEN THE SWITCH IS OFF, YOU'RE WRONG.**

Electricity and water are a dangerous combination. But did you know that an electrical appliance is still electrically live even if the switch is off? If the plug is in, the power is on. So when you are not using your appliances, keep them unplugged.

**KEEP AWAY FROM WATER!**

**ALWAYS UNPLUG SMALL APPLIANCES!**

## CLEANING & MAINTENANCE GUIDES:

- Always unplug the mirror before cleaning.
- Do not immerse the Mirror in water or any other liquid when cleaning.
- Do not use harsh or abrasive cleaners or furniture polish on Mirror surface or any portion of the base.
- Clean the mirror with any dry soft cloth. Slightly moisten cloth with water. A damp cloth holds dust.
- Hardware may loosen over time. Periodically check to make sure all connections are tight. Retighten if necessary.
- **BE SURE DIRECT SUNLIGHT WILL NOT STRIKE MIRROR WHEN LEFT UNATTENDED (reflected sunlight may cause fire).**
- Place in cool, dry area out of reach of children, and where it will not be damaged.
- Handle cord carefully for longer life. Do not jerk or strain at plug connections or wrap cord around mirror for storage. This could cause the cord to become damaged and short-circuit. To store mirror coil cord loosely, starting at the appliance, and place cord in large loops next to mirror or secure cord