


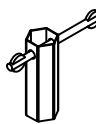
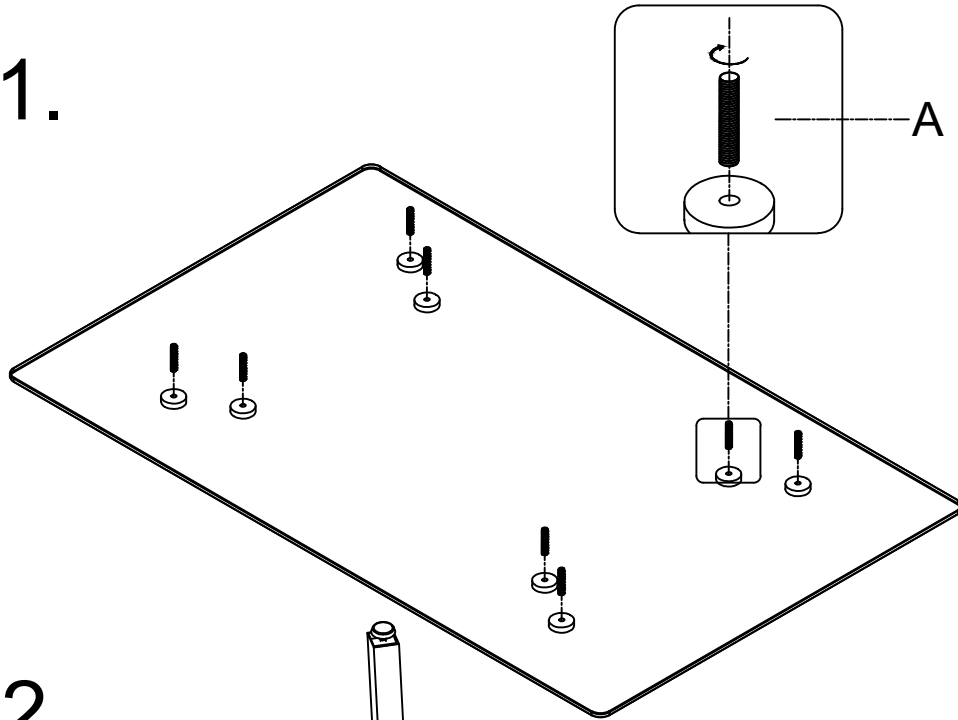


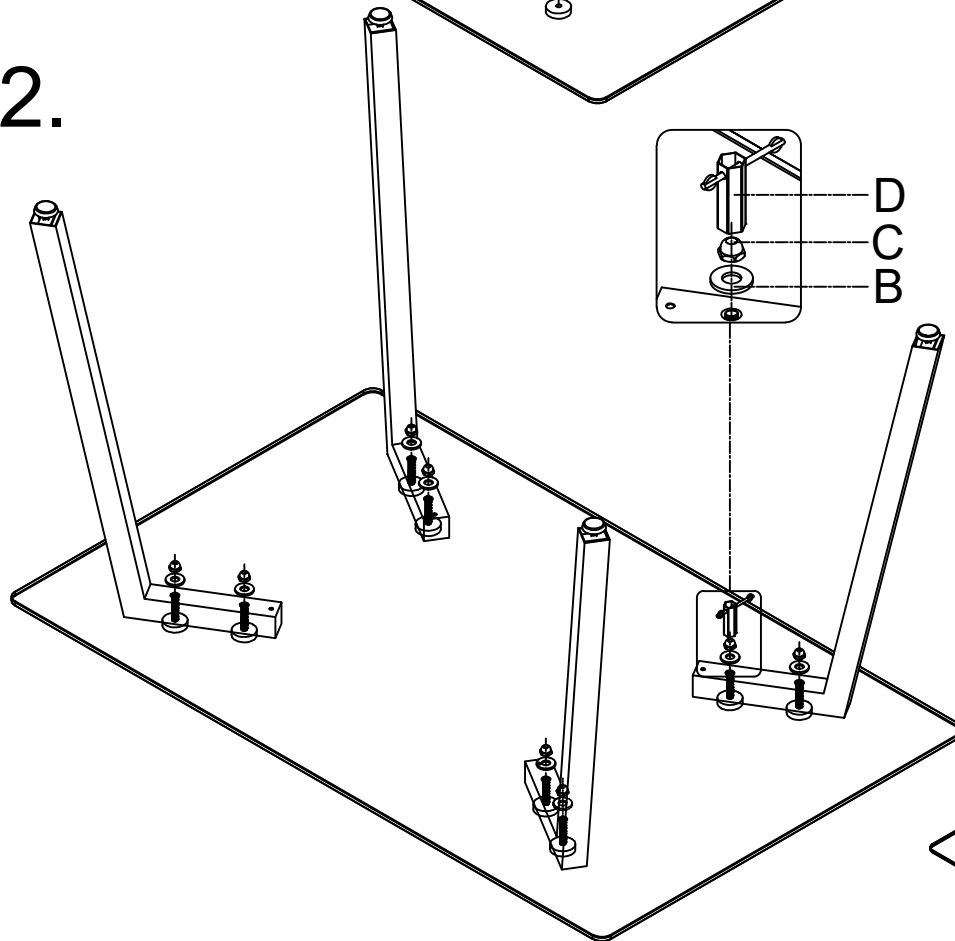
# ASSEMBLY INSTRUCTION

<b>A</b>	 x8 M8*50mm	<b>B</b>	 x8 Ø8*Ø22*1.5mm	<b>C</b>	 x8 M8	<b>D</b>	 x1
----------	--	----------	---	----------	---	----------	--

1.



2.



3.

