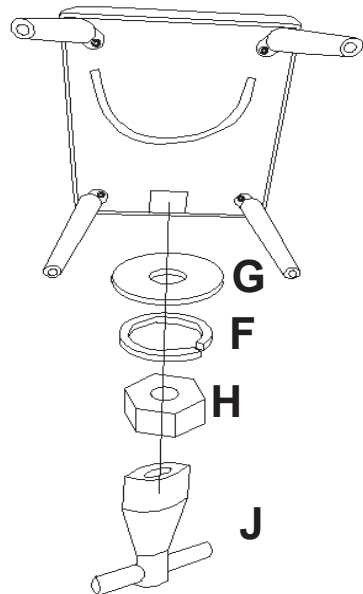


Model: _____

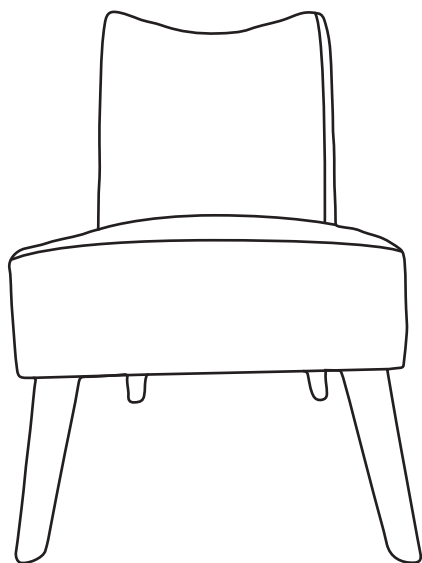
Lot No: _____

Date of Purchase: _____

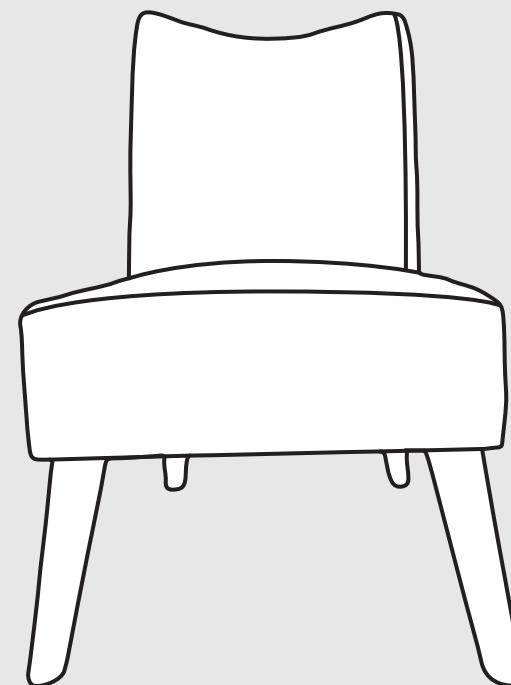
- 3** From under the seat base attach the backrest assembly to the seat base using washer (G) lock washer (f) and nut (H). Tighten using provided t wrench (J).



- 4** Enjoy your new mainstays slipper chair- Note from time to time you may need to retighten the legs and back assembly.



ACCENT CHAIR



ADULT ASSEMBLY REQUIRED

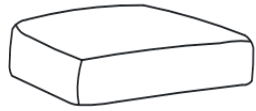
If you are missing any parts or have any questions regarding assembly, do not return this item to the retailers store. Please call our toll- free customer service number and have this assembly manual open to the parts list ready to provide the model name, and part name or number.



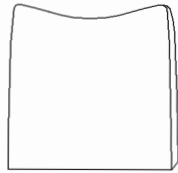
WARNING: This product may contain small components, please ensure they are kept away from small children.

PARTS AND HARDWARE

Avoid using sharp objects such as a knife to cut open packing as you may accidentally damage the upholstery.



A. Seat Body
1x



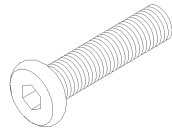
B. Backrest
1x



C. Legs
4x



D. Full Threaded Stud
1x



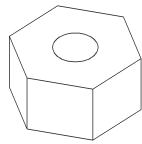
E. Bolt
4x



F. Lock Washer
5x



G. Washer
5x



H. Nut
1x



I. Allen Key
1x

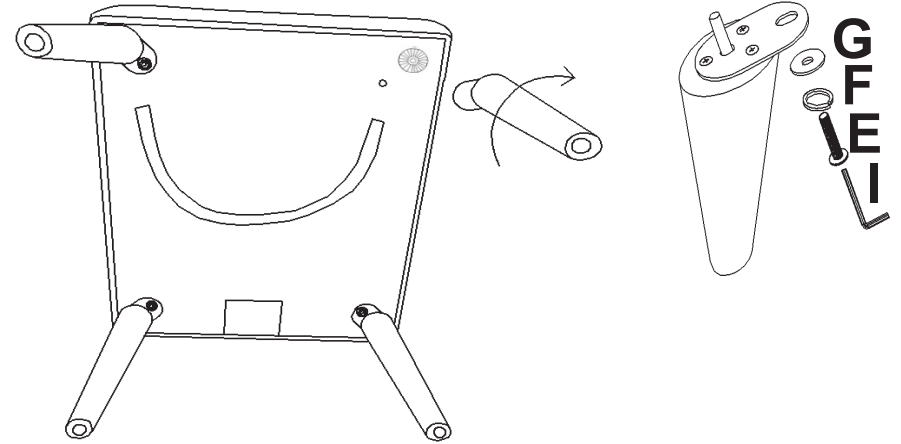


J. T Wrench
1x

ASSEMBLY INSTRUCTIONS

Do not fully tighten bolts until assembly is complete.

- 1 Attach the wooden leg to the Chair seat base using bolt (e) lock washer (f) and washer (g). Tighten using provided allen key (i).



- 2 Hand thread the full threaded stud (D) into the bottom of the backrest. Insert Back rest into seat base assembly.

