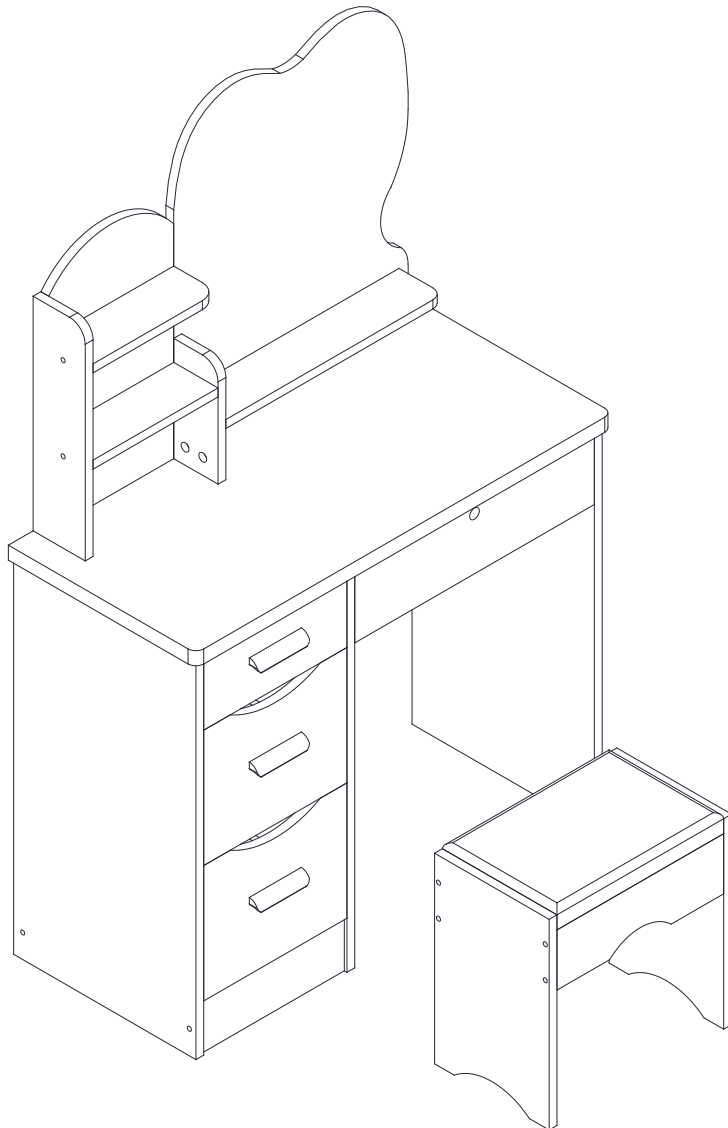
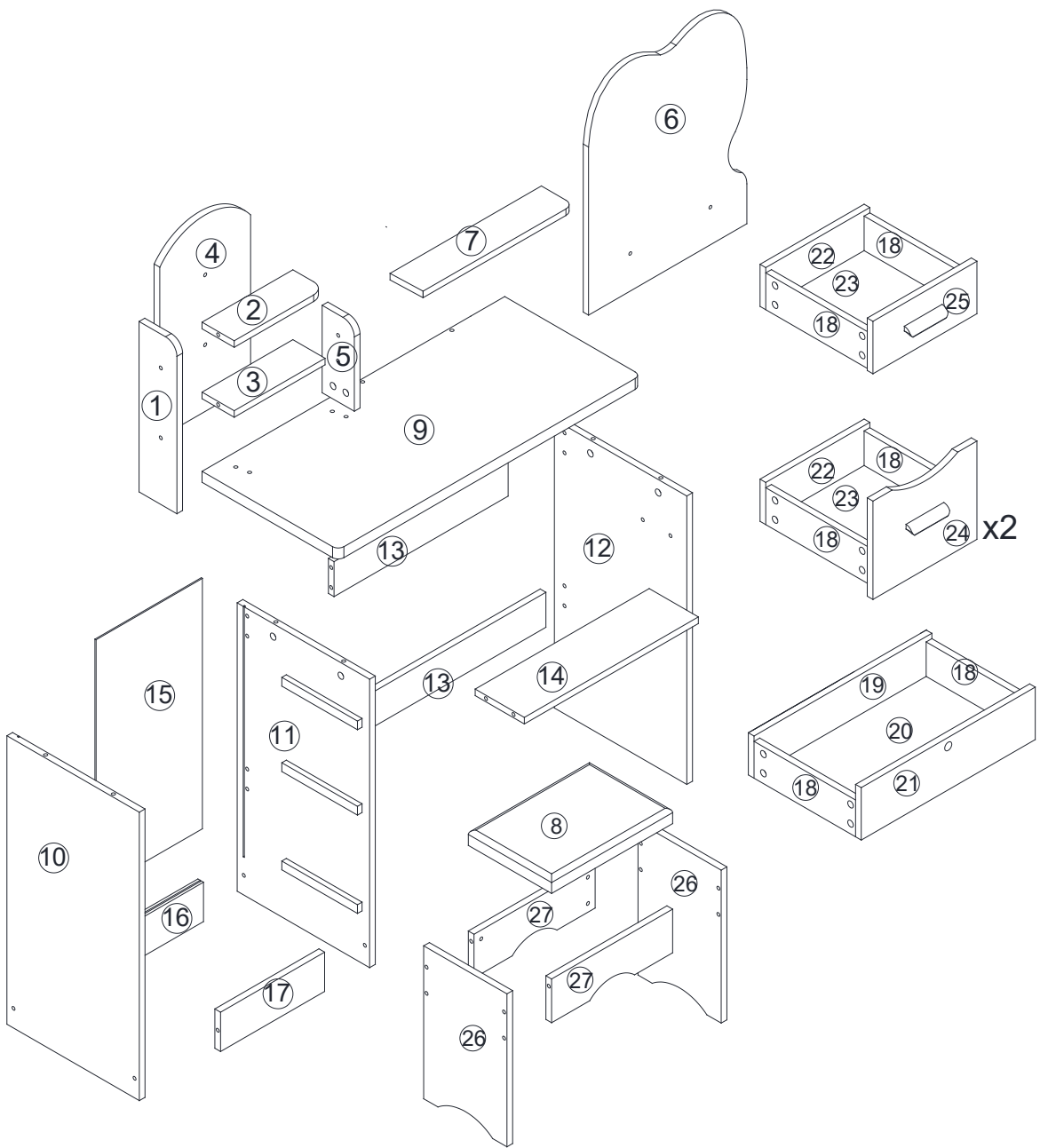


Vanity Table

INSTALLATION MANUAL

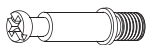


**Thank you for purchasing the goods in our store this time
Please read this manual carefully before using it
Please keep this manual properly**



1 - x1	6 - x1	11 - x1	16 - x1	21 - x1	26 - x2
2 - x1	7 - x1	12 - x1	17 - x1	22 - x3	27 - x2
3 - x1	8 - x1	13 - x2	18 - x8	23 - x3	
4 - x1	9 - x1	14 - x1	19 - x1	24 - x2	
5 - x1	10 - x1	15 - x1	20 - x8	25 - x1	

HARDWARE



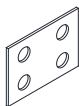
A	SCREW & PLASTIC LOCK	x48
---	----------------------	-----



B	SCREW & METAL LOCK	x48
---	--------------------	-----



C	SCREW	x16
---	-------	-----



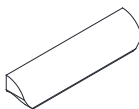
D	RAIL	x1
---	------	----



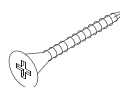
E	SCREW	x6
---	-------	----



F	L PLATE	x2
---	---------	----



G	DRAWER PULL	x3
---	-------------	----



J	SCREW	x28
---	-------	-----



K	SCREW	x28
---	-------	-----



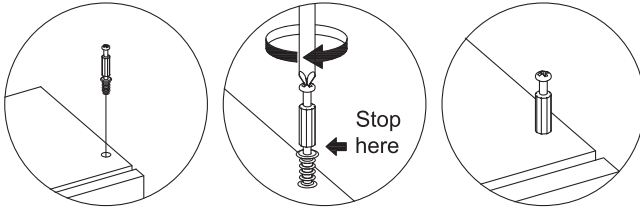
L	SCREW	x8
---	-------	----



M	LOCK	x1
---	------	----

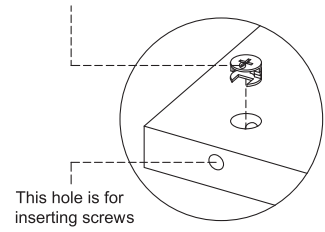
1. Screw installation method

When the screw is installed, please keep it in line with the board, and do not tighten it too tightly

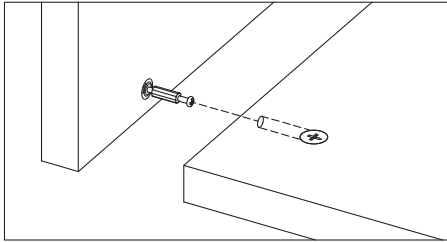


2. Check the Nut direction

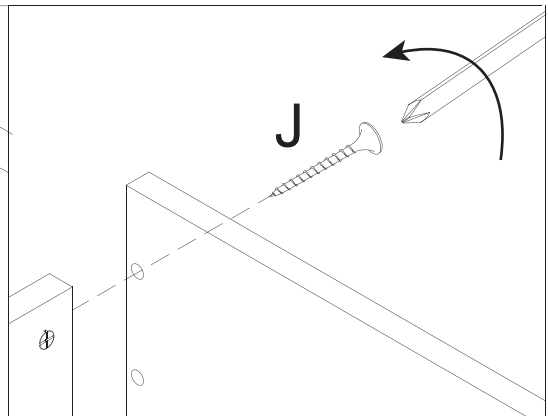
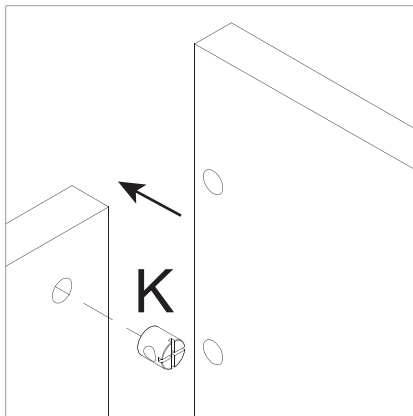
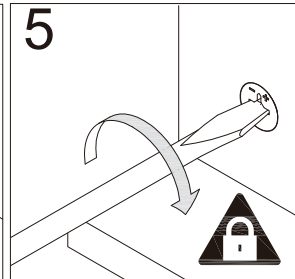
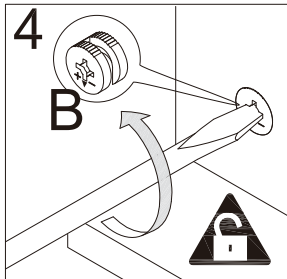
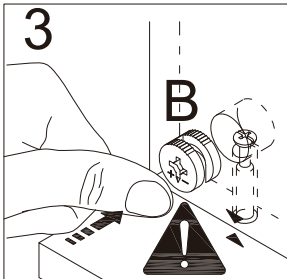
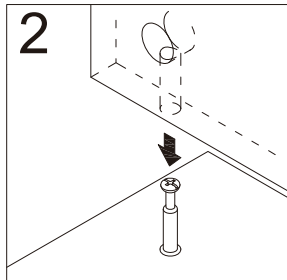
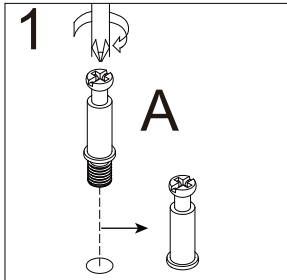
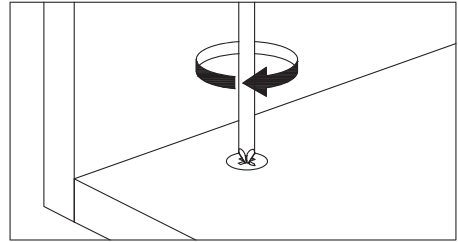
This direction of the marked nut is consistent with the direction in which the screw is inserted



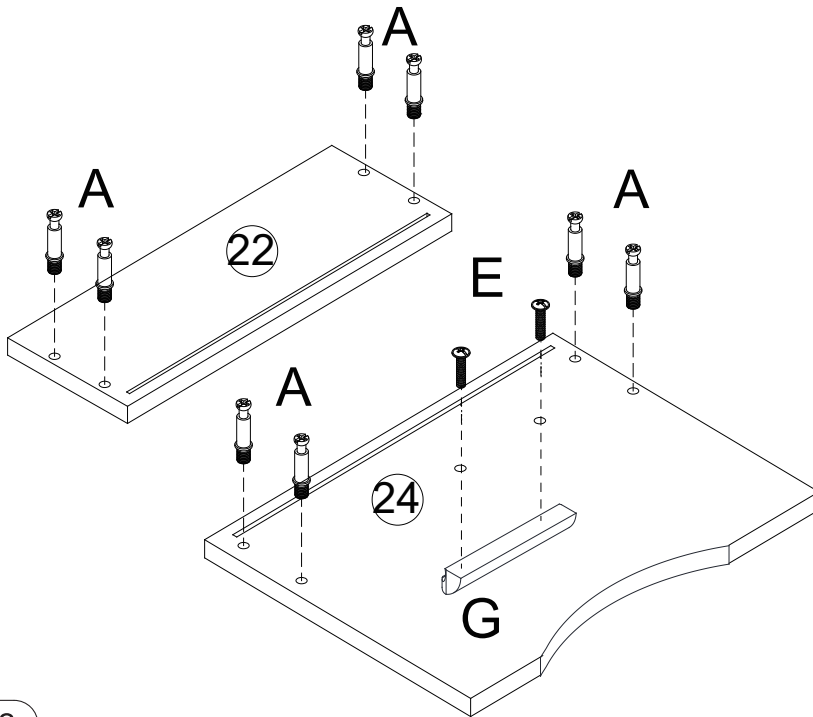
3. Installation on the board with fixing screws



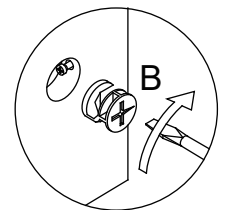
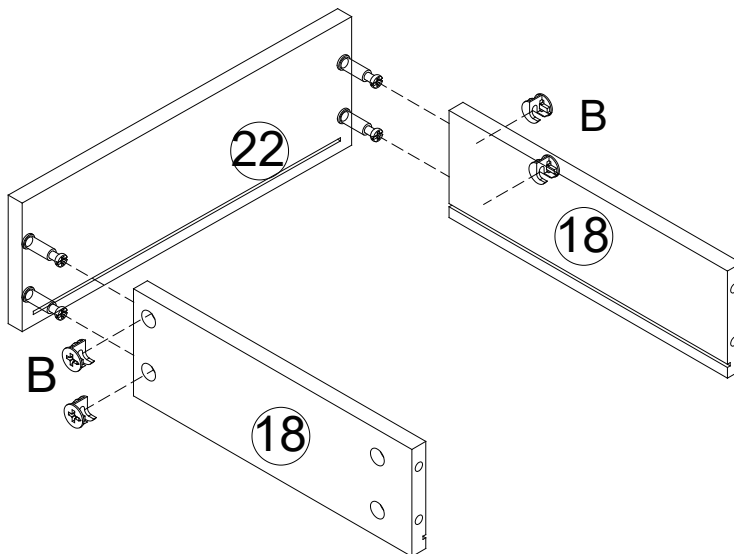
3. Rotate slowly until it stops



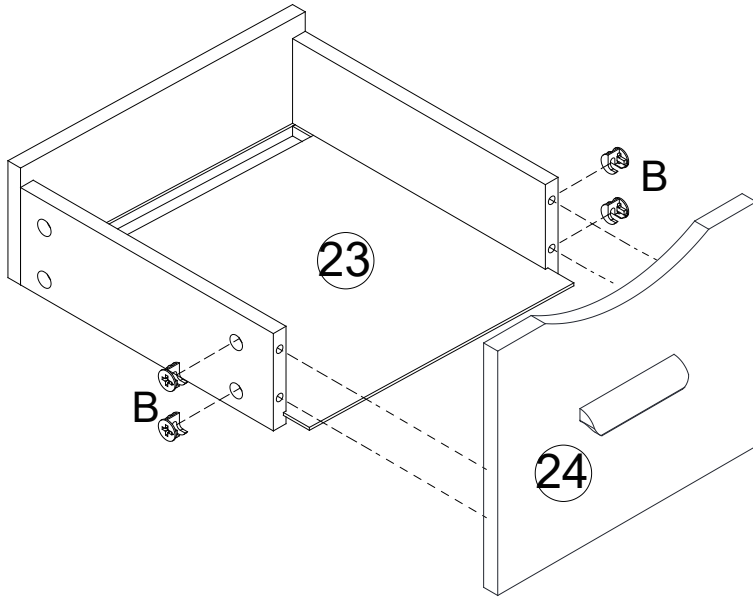
Step 01



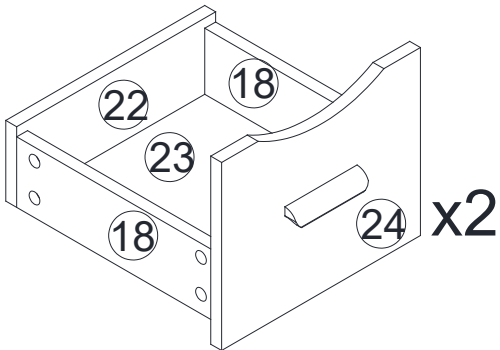
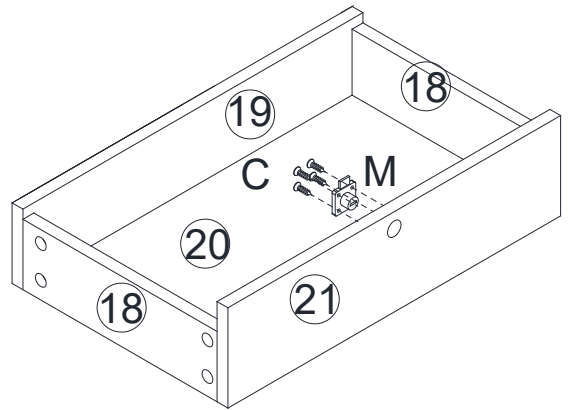
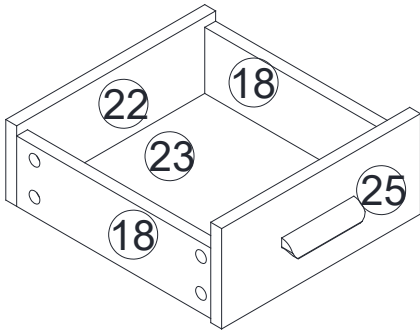
Step 02



Step 03

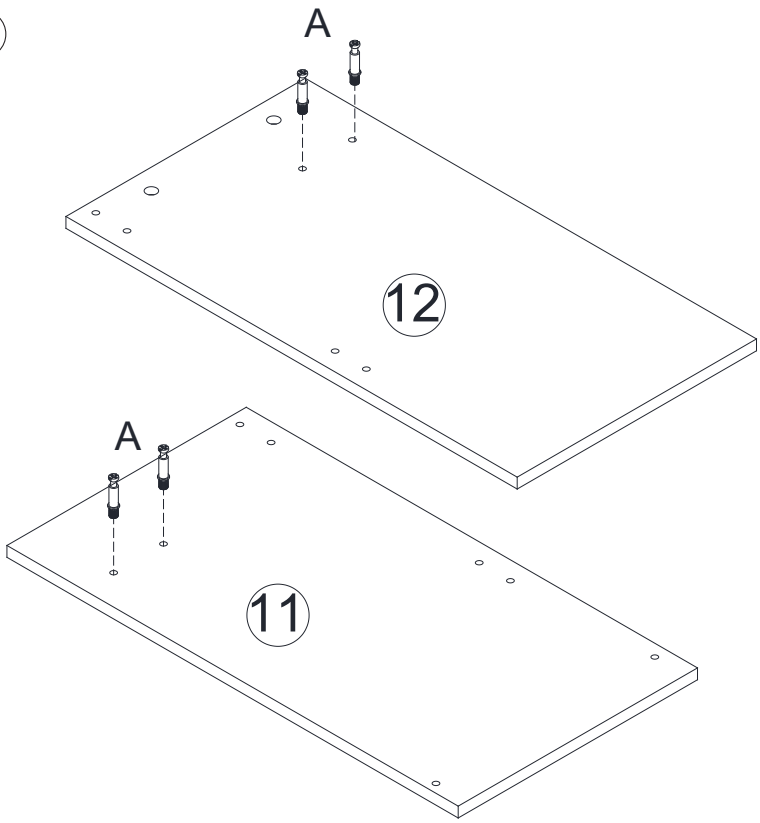


Step 04

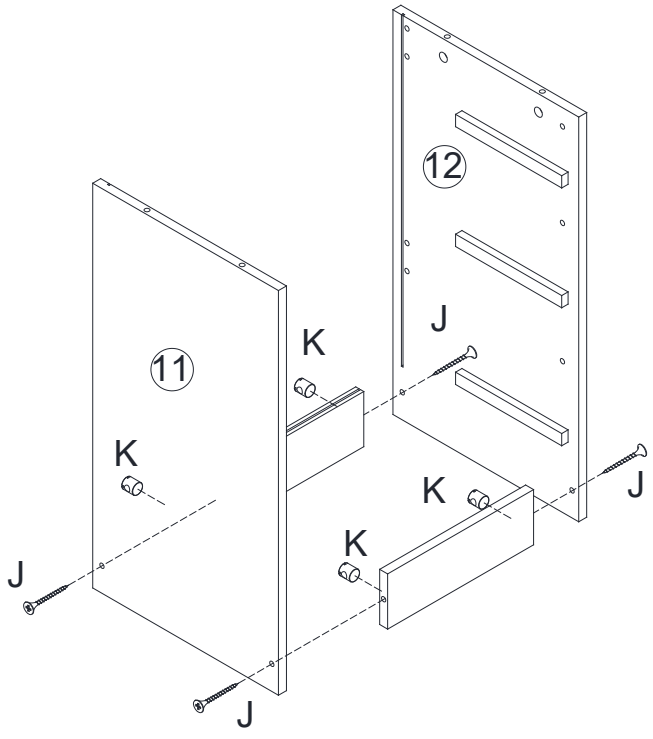


The five drawers are installed in the same way

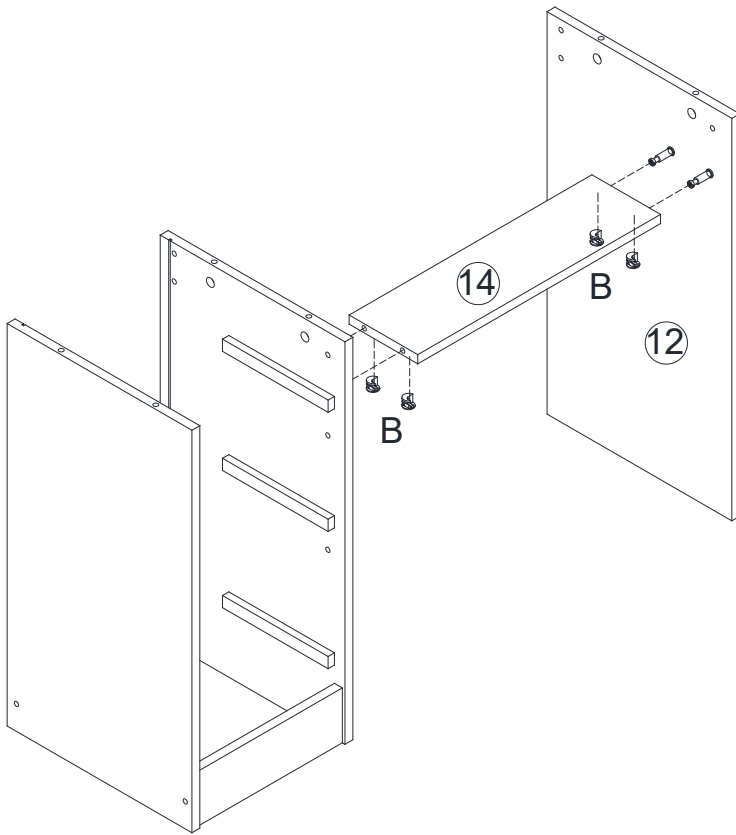
Step 05



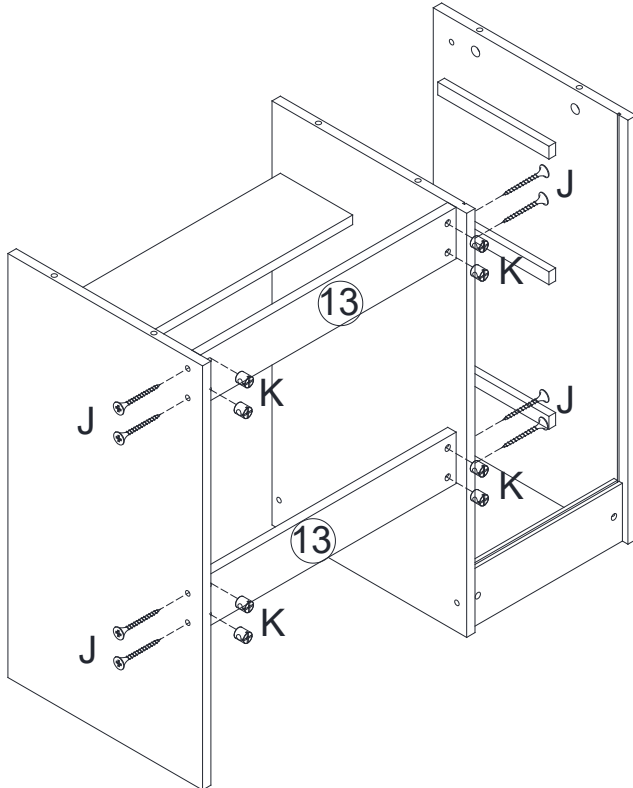
Step 06



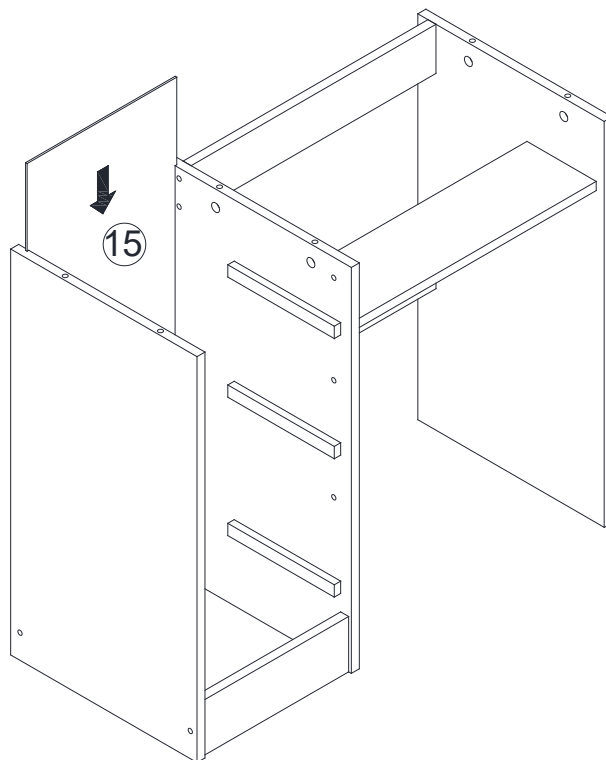
Step 07



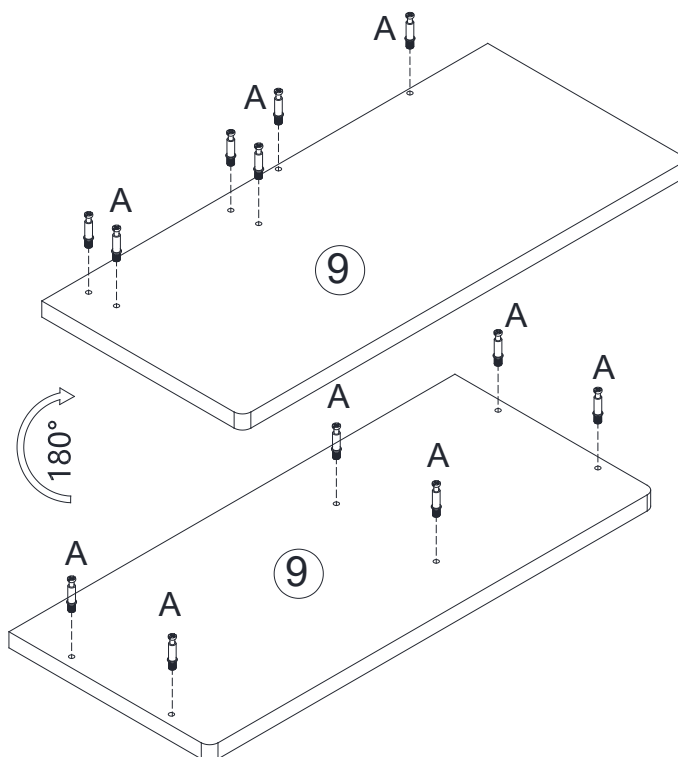
Step 08



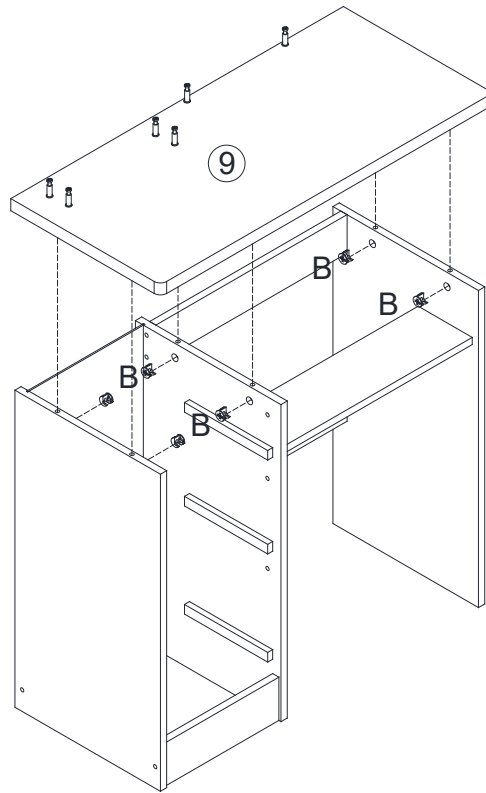
Step 09



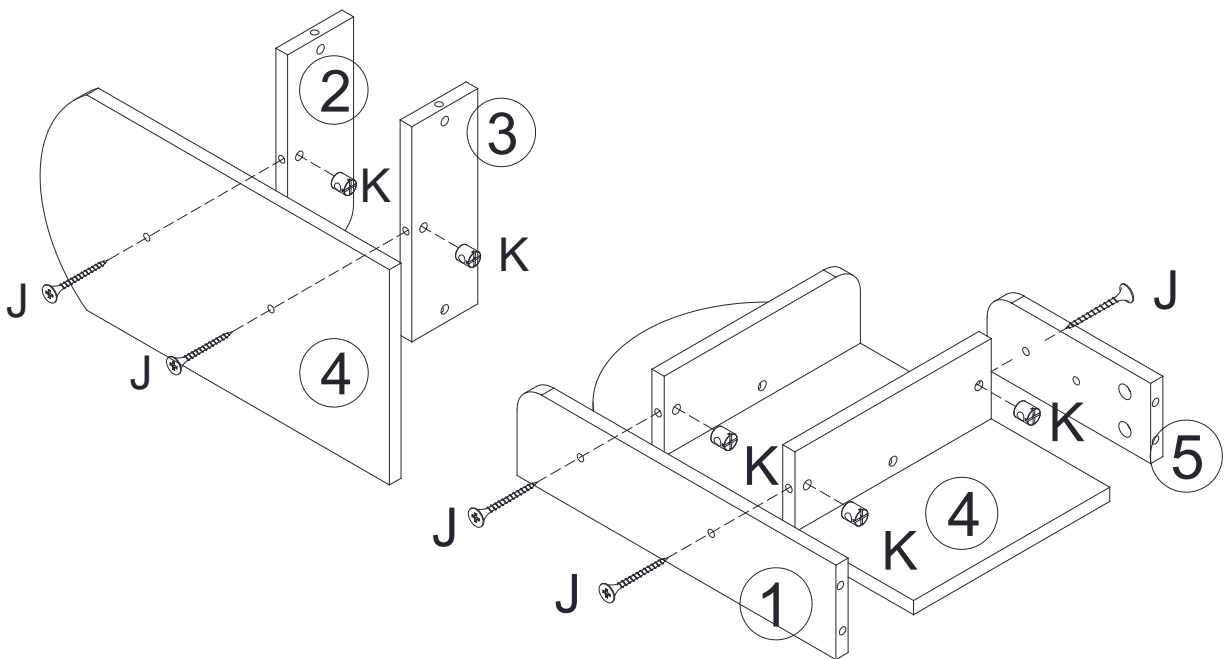
Step 10



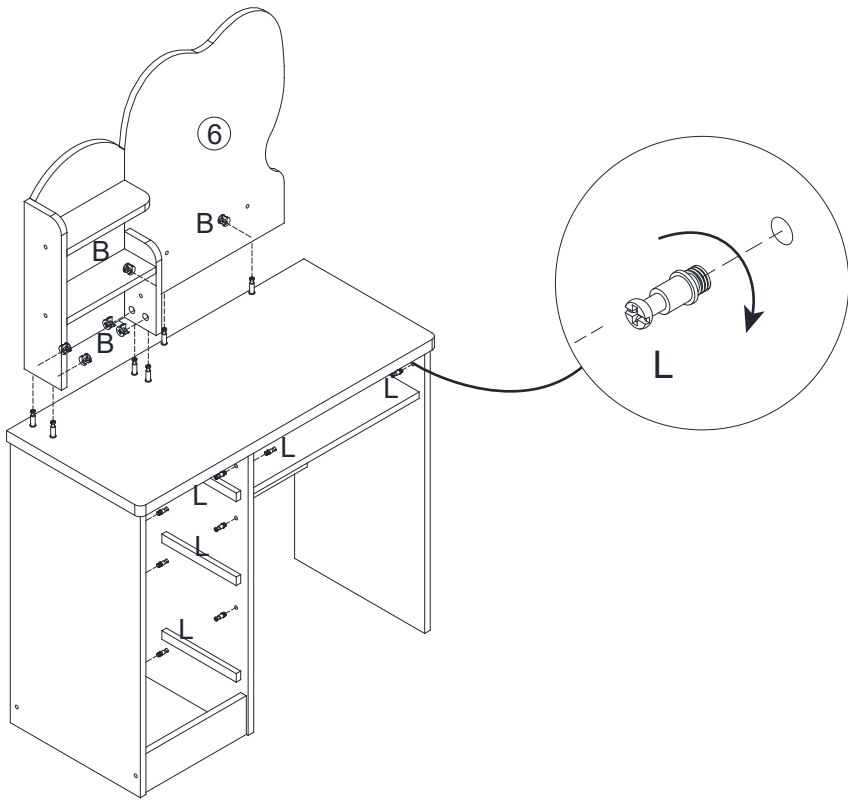
Step 11



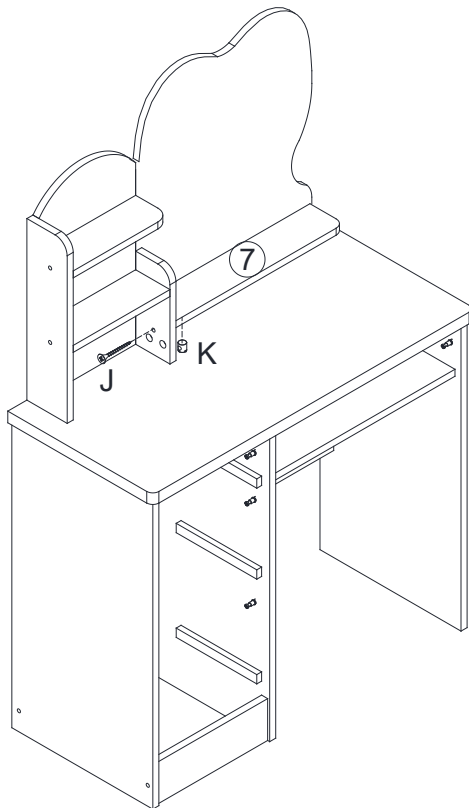
Step 12



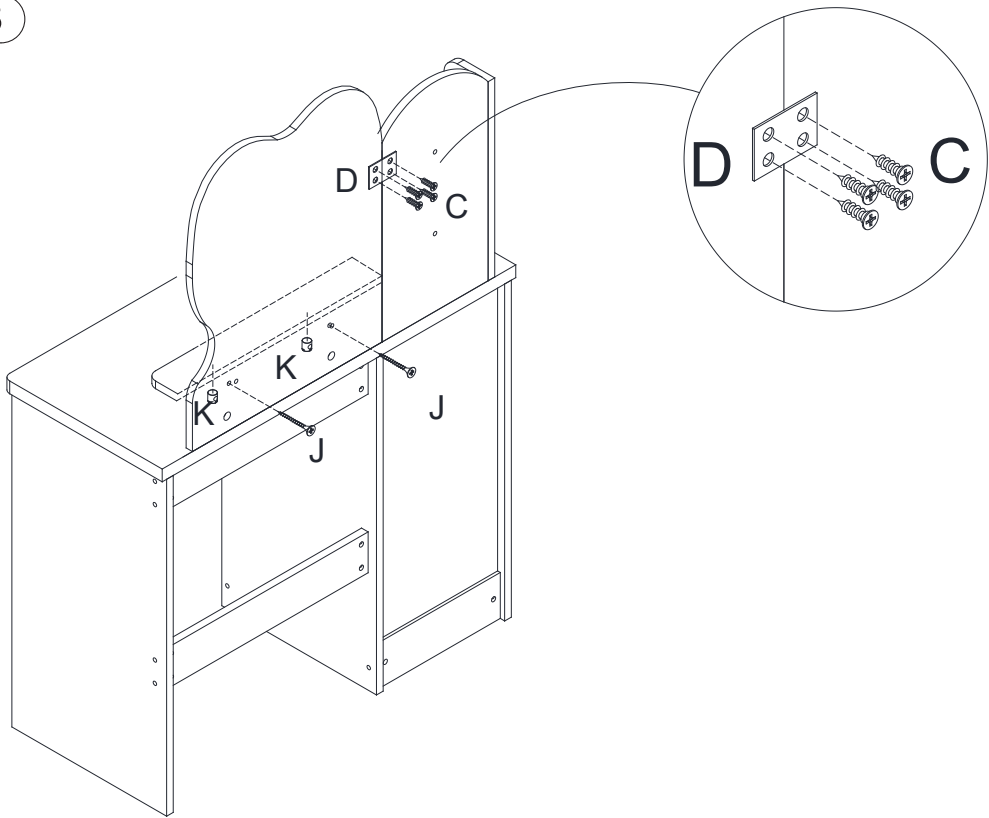
Step 13



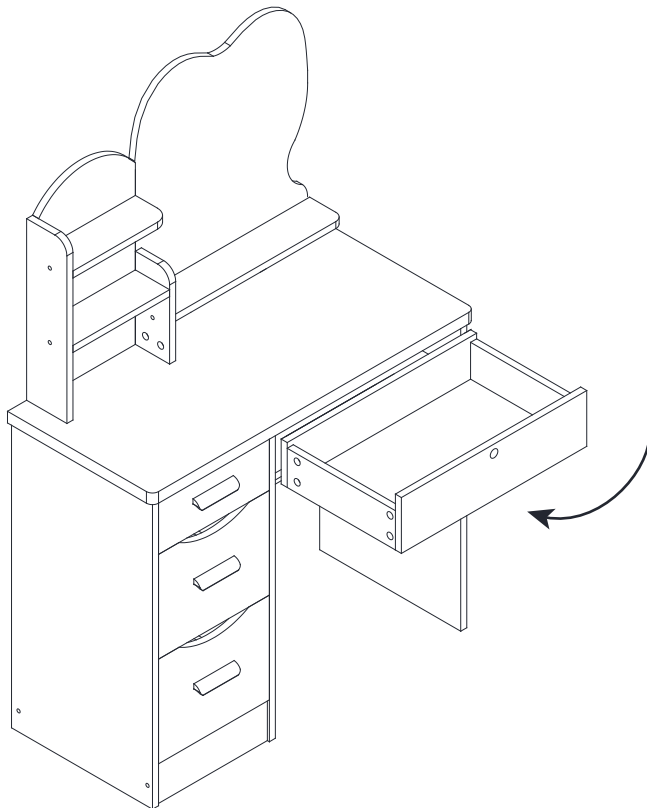
Step 14



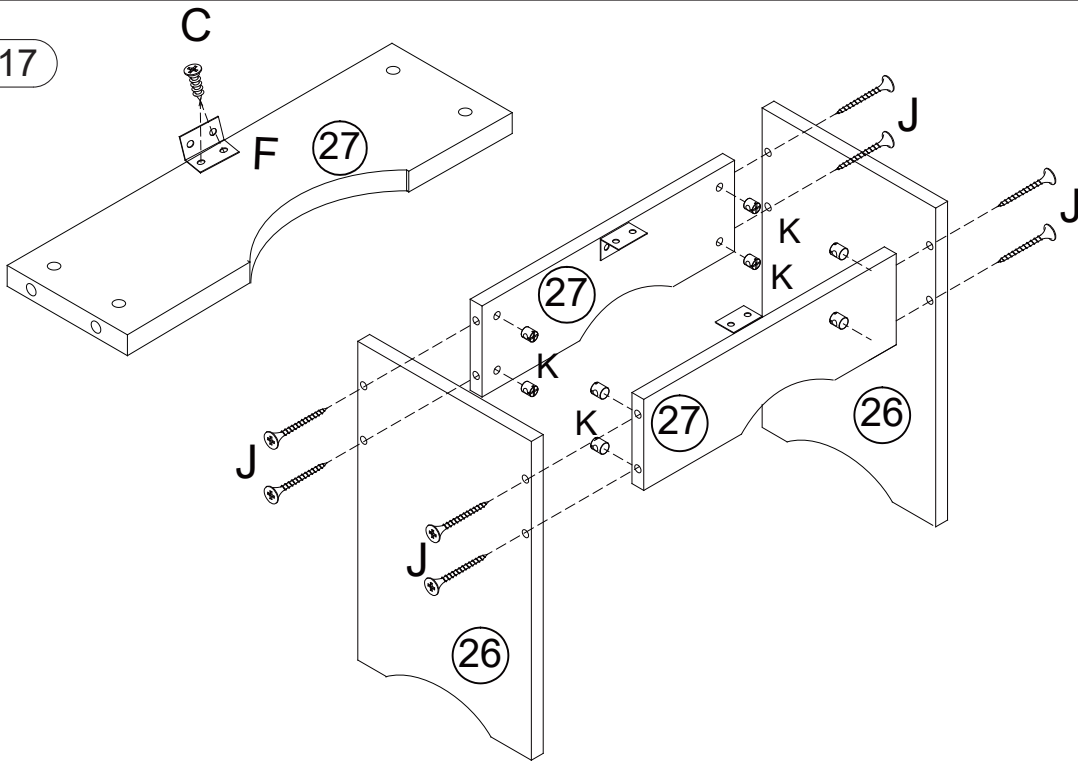
Step 15



Step 16



Step 17



Step 18

