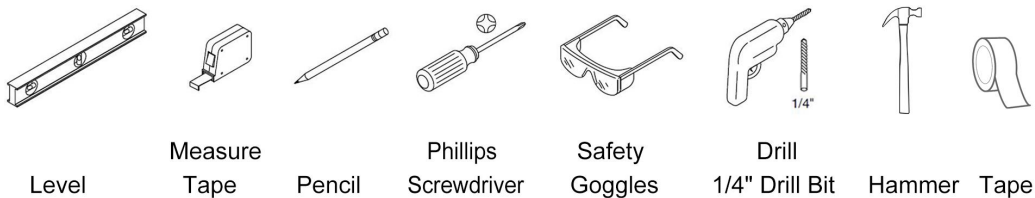


Installation Guide

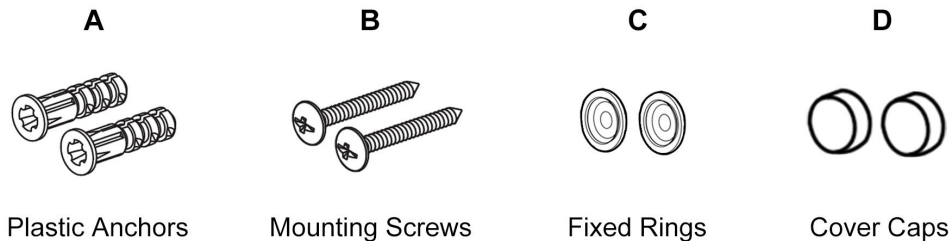
Preparation

1. Before beginning, check all parts are at present, compare parts with package contents list. If any part is missing or damaged, please contact customer service for helping.
2. CAUTION: Do Not install where the product might be used as a grab or support bar.
3. Wear safety goggles, use caution when drilling into walls to avoid drilling into electrical and plumbing lines hidden within wall.
4. Mount into ceramic tile or solid surface, drill 1/4" holes, and place masking tape on the mounting area before marking the location to prevent drill bit from sliding.

Recommends These Tools



Package Contents: Product x 1, Hardware Pack x 1



CAUTION: Supplied anchors are mainly suitable for concrete wall.

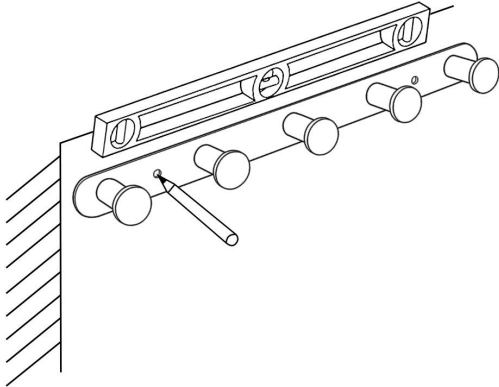
Use drywall anchors for drywalls only. (Not included)

Care and Maintenance

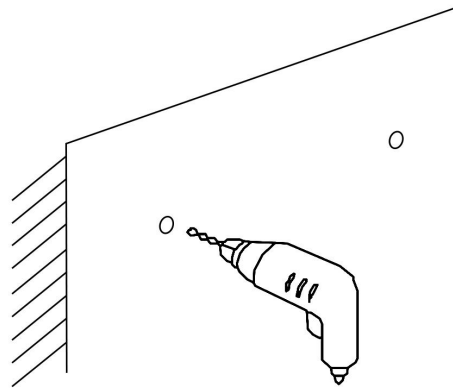
Clean with a soft, damp cloth only. DON'T USE scrub pads, detergents or cleansers as they may harm the protective finish. Maintenance period should be 1-2 months.

Installation Guide

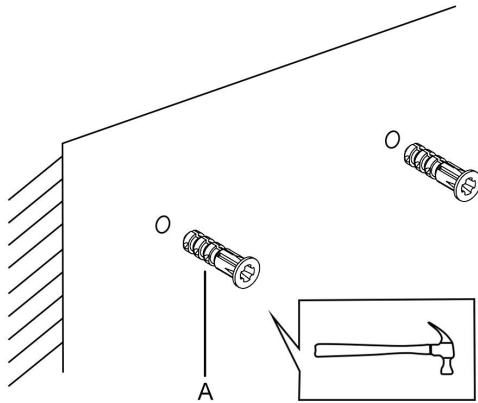
1. Please install product in appropriate position, according to actual needs. Place it on the wall, make sure that it is level. Mark 2 guide holes at desired locations.



2. Use 1/4" drill bit, drill 2 guide holes indicated.



3. Tap plastic anchors (A) into the drilled holes, until flush with wall by hammer.



4. Position product over holes, fasten product to wall with fixed rings (C) and mounting screws (B). Cover the caps (D) at last.

