

NOTICE

- * Please make sure that you have all parts indicated and they are in good condition before you begin assembly of this item. Refer to part list and hardware list below for guidance.
- * This item should be assembled on a soft surface to prevent scratching the finish during assembly.
- * This item may require periodic tightening.

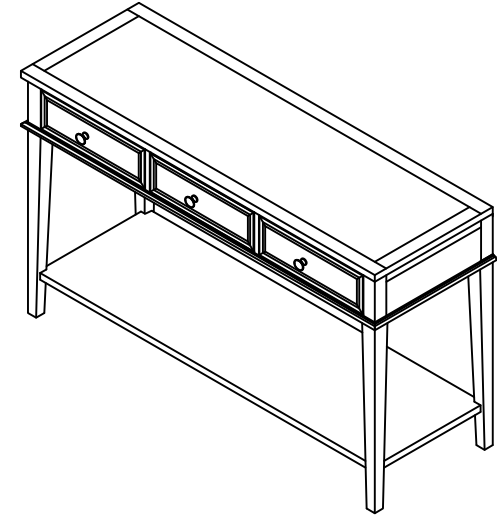
PREPARATION

- * Before beginning assembly of product, make sure all parts are present. Compare parts with part contents list and hardware contents list.
- * If any part is missing or damaged, do not attempt to assemble the product.
- * Estimated Assembly Time: 15 minutes.
- * Tools Required for Assembly (included): Allen key.

CARE AND MAINTENANCE

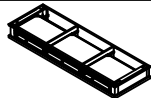
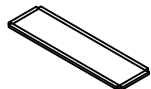


WOOD CARE: Adhesive felt pads should always be applied to areas of furniture which make direct contact with flooring, said application will prevent damage to the furniture and or surfaces on which the furniture lies. Objects placed on articles of furniture should rest on non abrasive material as to prevent damage to the wood finish. Objects whose composition consists of plastic and rubber are known to discolor and damage the wood surfaces on which they rest. Wipe up spills immediately and avoid common hazards such as hot dishes, harsh solvents and abrasives. Cleaning should be done with a soft lint free cotton cloth dampened with water or furniture polish. On highly used surfaces we recommend applying a quality paste wax which should be used on a regular basis to provide additional protection from scratches and spills. How often you apply the wax depends on how much wear the furniture receives.


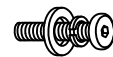
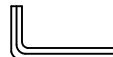


Product Dimensions: 60"W x 20"D x 35.25"H



Weight Capacity : 25 lbs on top of the product
Warning : Do not stand on the product
Warning : Do not over torque bolts

Part List and Hardware List

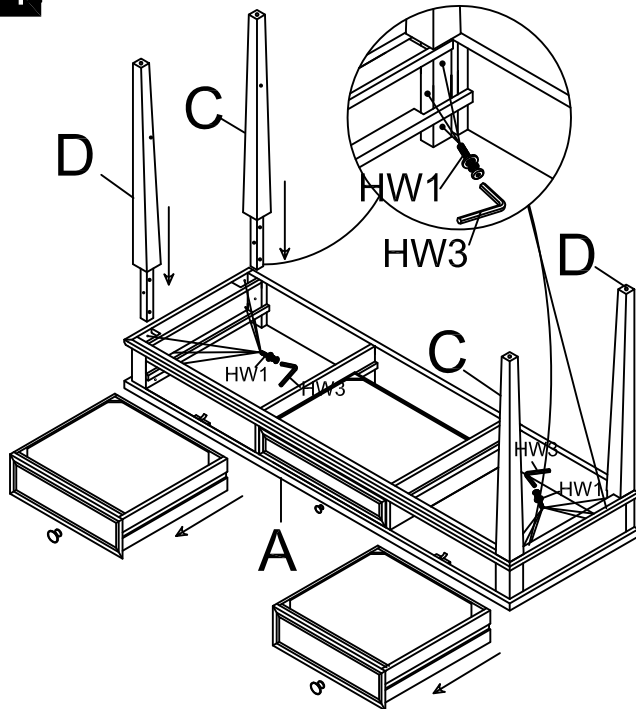
PIECE	DESCRIPTION	PICTURE	QTY
A	CABINET		1 X
B	SHELF		1 X
C	LEFT LEG		2 X
D	RIGHT LEG		2 X

PIECE	DESCRIPTION	PICTURE	QTY
HW1	HEX SOCKET BOLT 1/4"-20 x 1.5"		12 X
HW2	HEX SOCKET BOLT 1/4"-20 x 0.5"		8 X
HW3	ALLEN KEY 4mm		1 X
HW4	BRACKET 25*25mm		4 X
HW5	Anti-Tip Hardware		2 X

PREPARATION

- * Before beginning assembly of product, make sure all parts are present. Compare parts with part contents list and hardware contents list.
- * If any part is missing or damaged, do not attempt to assemble the product.
- * Estimated Assembly Time: 15 minutes.
- * Tools Required for Assembly (included): Allen key.
- * If you are having difficulty, our friendly Customer Care team is always here to help. Please email customersupport@safavieh.com

1

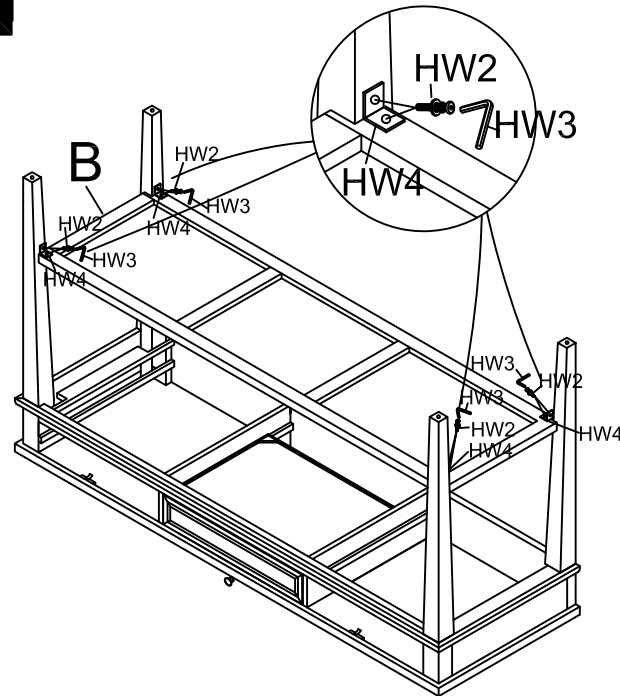


Do not fully tighten the bolts until the product is assembled.

Step 1:

Place the cabinet (A) upside down on a soft surface. Pull out the both end side-drawers from the cabinet, then attach 2 left legs (C) and 2 right legs (D) on opposite corners of cabinet (A), Use the Allen Key (HW3) to screw in the 12 Hex Socket Bolts (HW1).

2

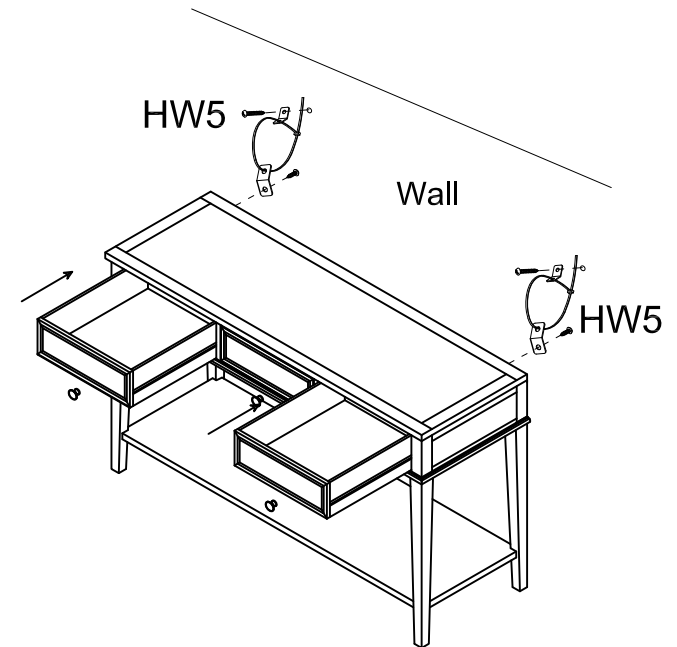


Do not fully tighten the bolts until the product is assembled.

Step 2:

Attach the brackets (HW4) to the back of the shelf (B) by using the Allen Key (HW3) to screw in 4 Hex Socket Bolts (HW2). Then attach the shelf (B) to the middle and lower ends of assembled 4 legs, Use the Allen Key (HW3) to screw in the 4 Hex Socket Bolts (HW2) through the bracket (HW4) to the legs.

3



After properly adjusting the levelers, make sure all bolts are fully tightened.

Step 3:

Turn the table upright. Put the 2 side-drawers back to the cabinet. Follow the installation instructions of anti-tip hardware (HW5) to attach 2 anti-tip kits. Assembly is now complete.