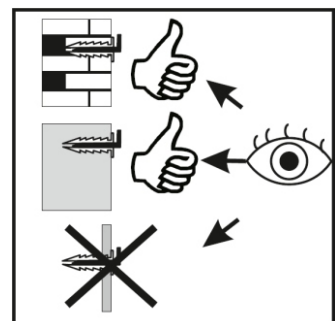
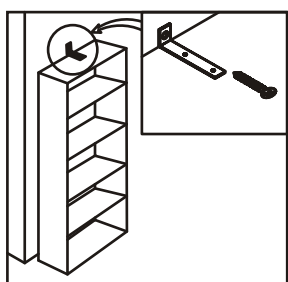
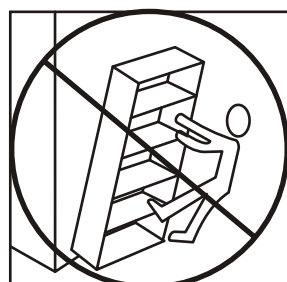
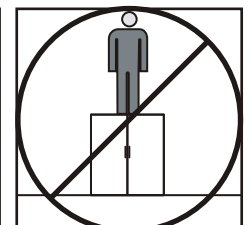
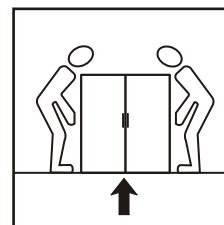
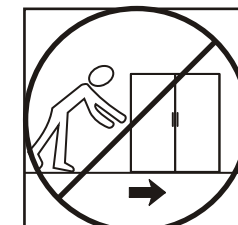
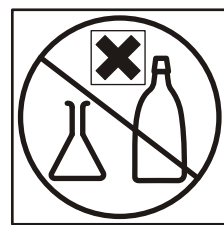
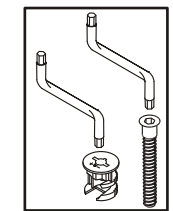
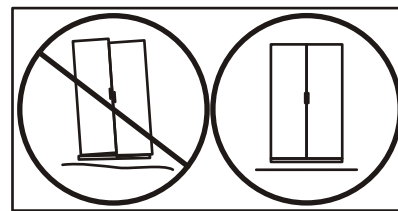
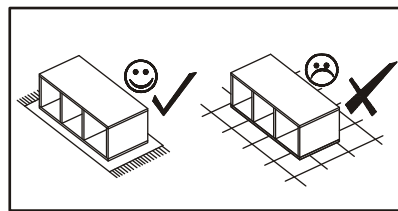
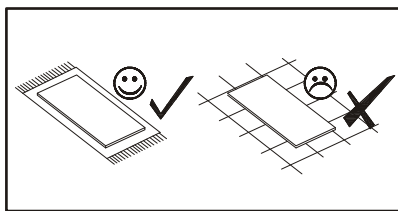
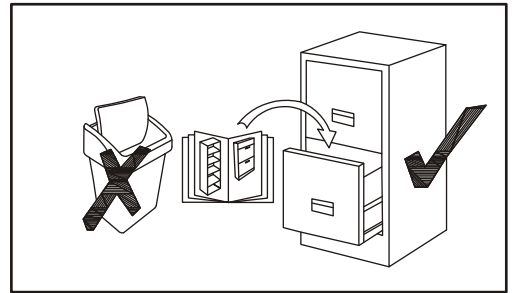
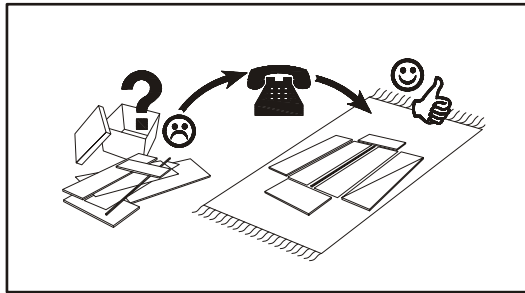
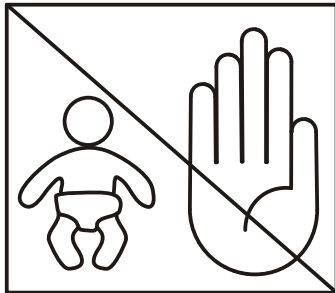
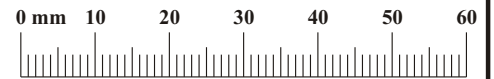


180 min

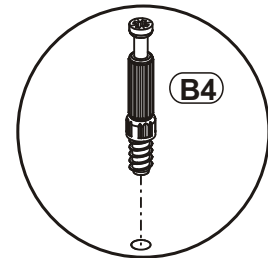
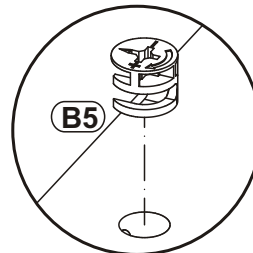
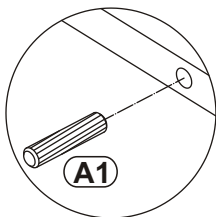
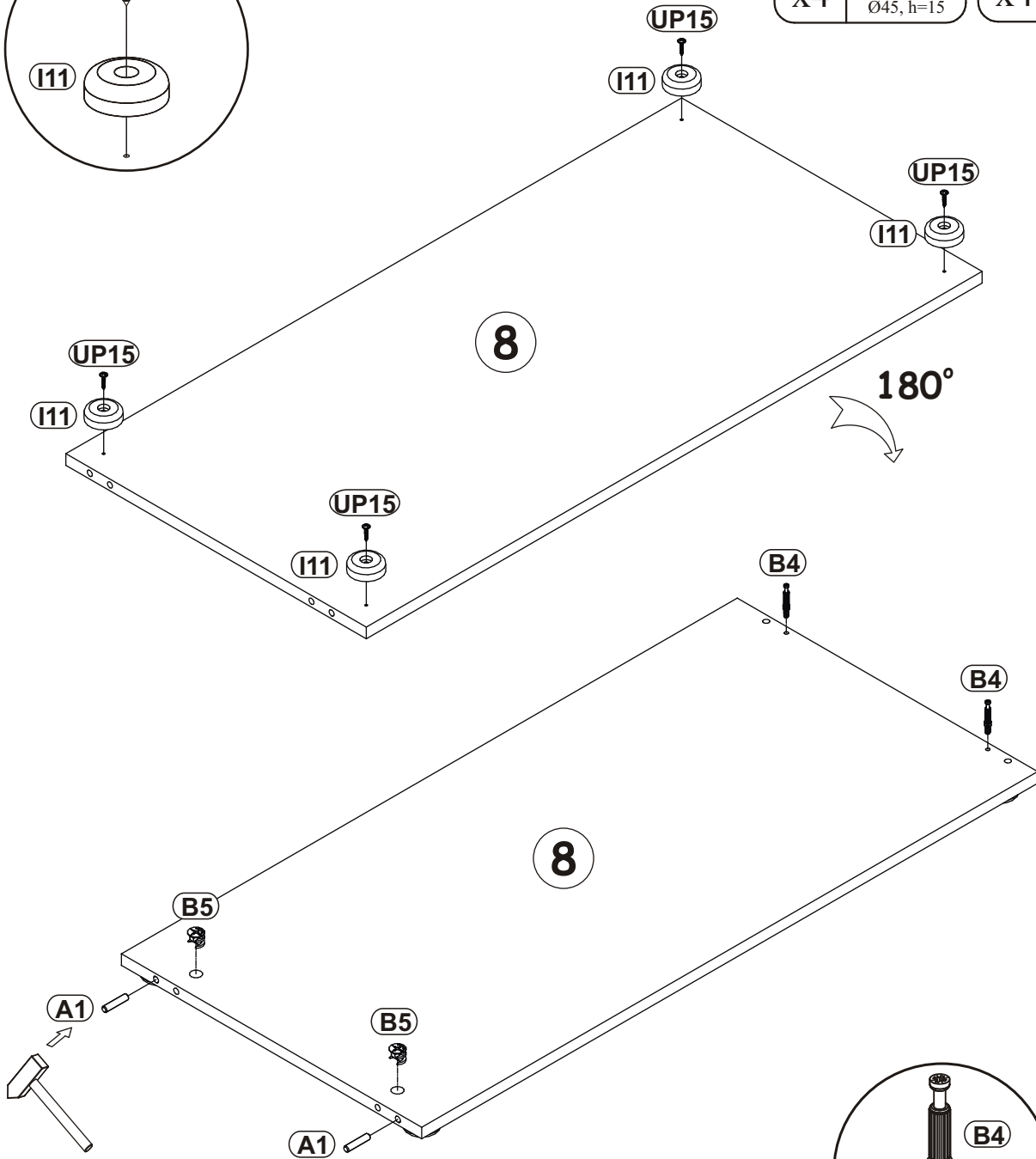
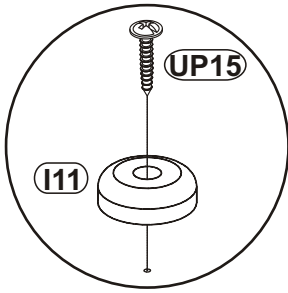
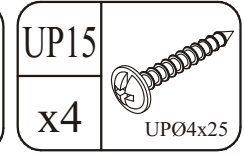
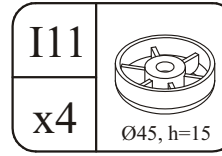
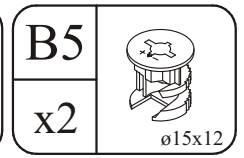
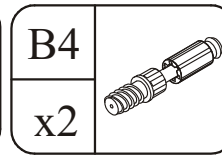
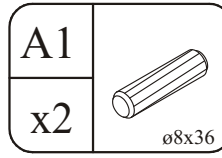
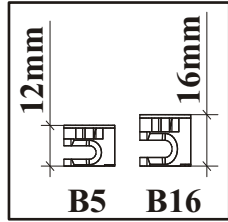
NO	Dim.		Col.-No	Qty
1	357	477	16	2
2	103	477	16	2
3	186	477	16	2
4	274	477	16	2
5	502	477	16	2
6	978	477	16	2
7	502	477	16	2
8	978	477	16	2
9	516	499	22	1
10	149	499	22	1
11	502	499	22	1
12	500	499	22	1
13	978	499	22	1

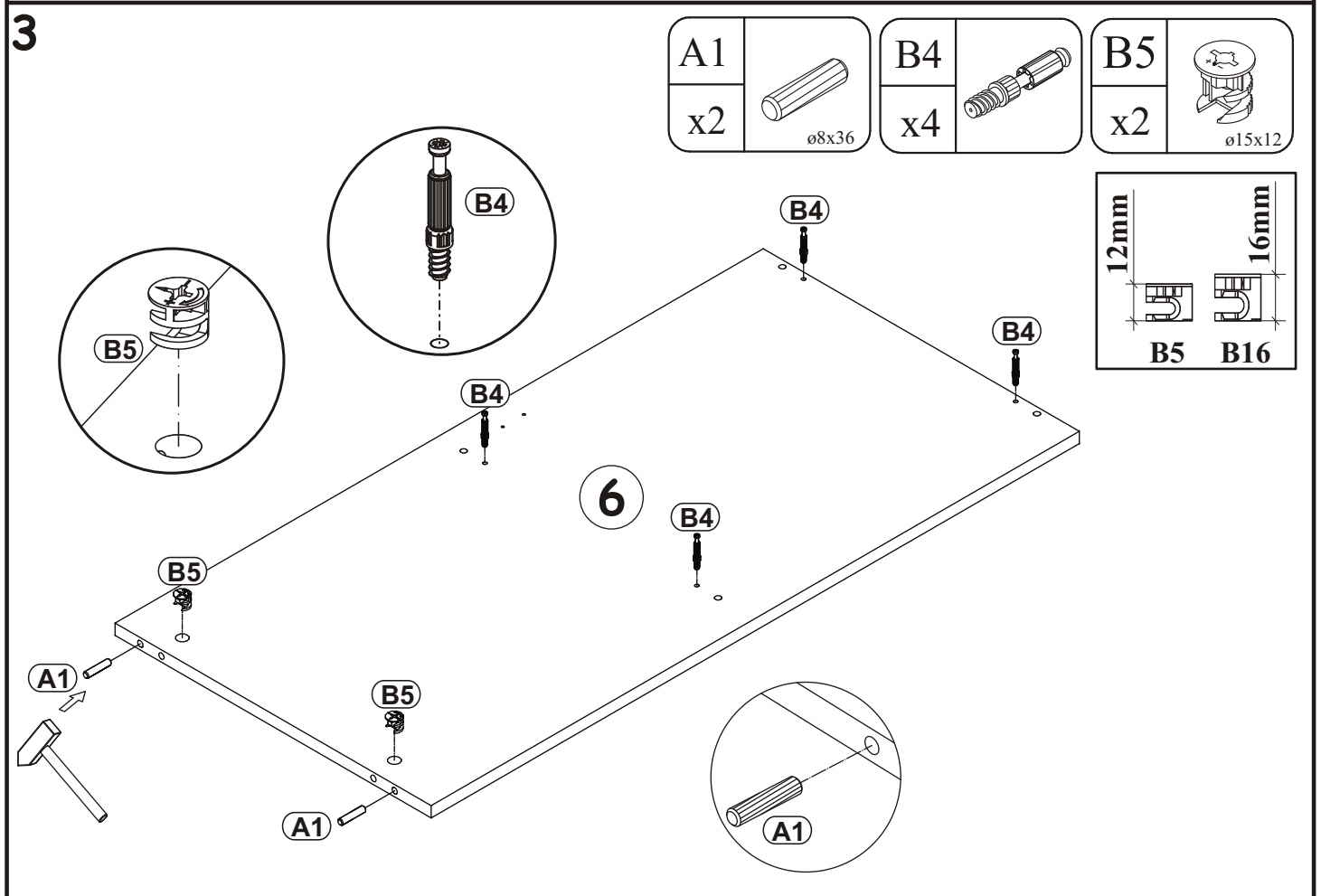
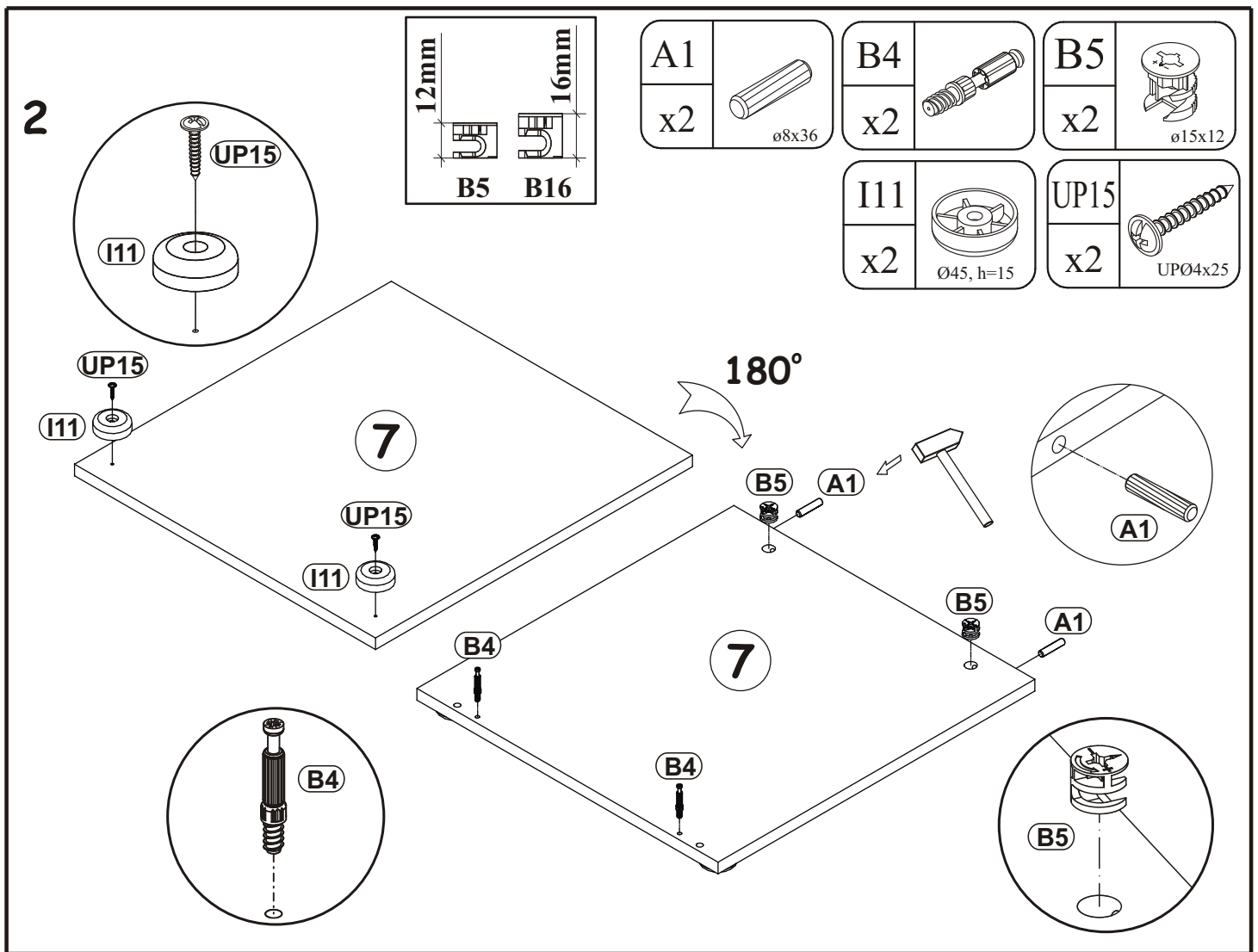
NO	Dim.		Col.-No	Qty
14	367	496	16	1
15	284	473	16	1
16	196	972	16	1
17	116	496	16	1
18	103	477	22	1
19	400	184	16	2
20	476	148	22	1
21	508	509	3	1
22	508	985	3	1
23	400	120	16	2
24	400	120	16	2
25	921	106	16	2
26	404	933	3	2

A1 x42 ø8x36	B4 x18	B6 x10 Ø7x76	B5 x26 ø15x12	B16 x12 Ø15x16	G5 x38
E21 x4 Ø35 H=0	E2 x4 H=0	D10 x18 USØ3,5x13	QU x1 L=400mm	D20 x4 ESØ6,3x9,5	UP6 x2 UPØ4x30
S1 x2	G16 x4	UP13 x44 UPØ3x16	B11 x4 Ø7x50	B15 x10 Ø7x60	G4 x14
I11 x6 Ø45, h=15	UP15 x6 UPØ4x25	T3 x2	KR1 x1	L1 x1	G2 x1

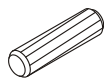


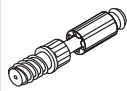
1




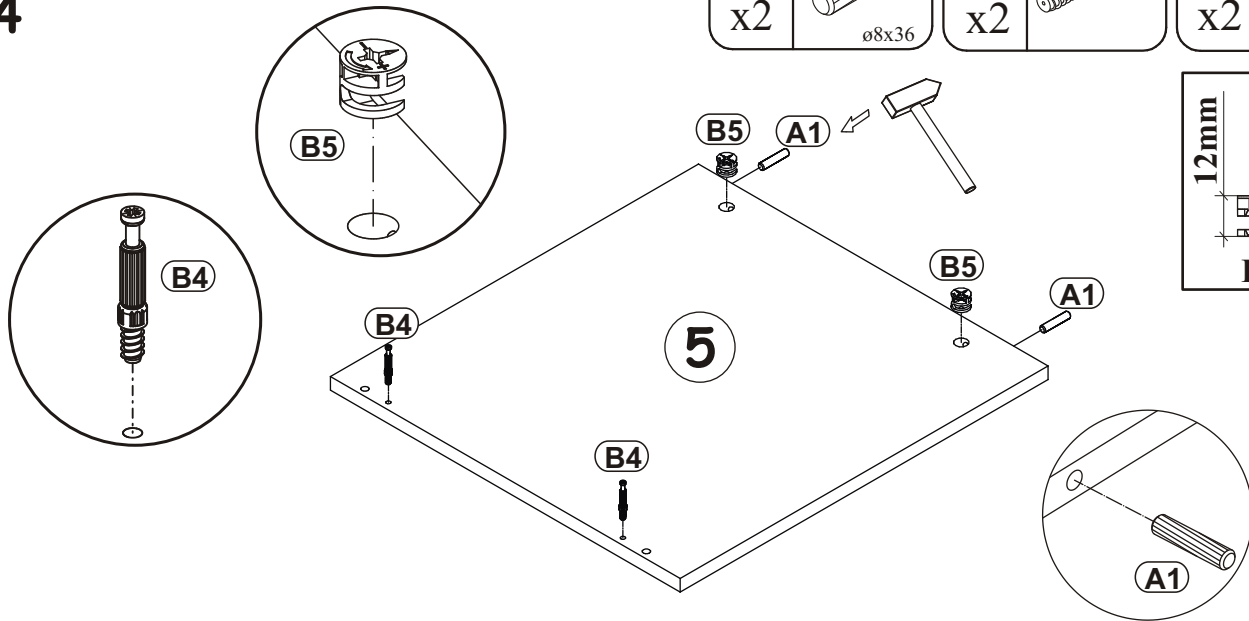
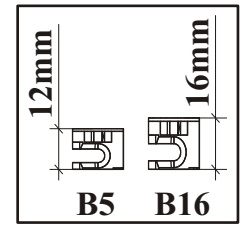


4

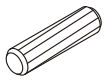
A1	
x2	ø8x36

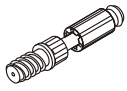
B4	
x2	


B5	
x2	ø15x12

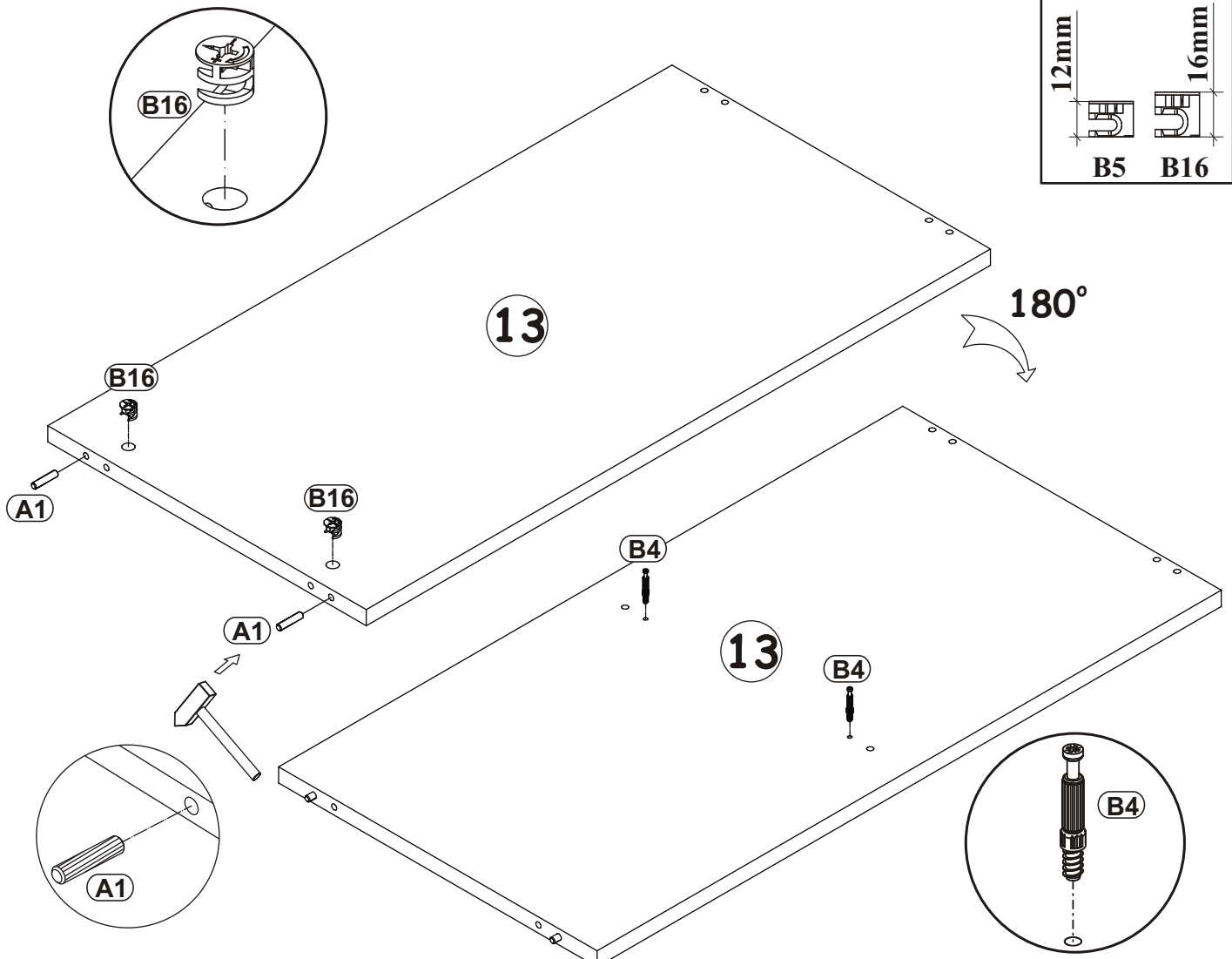
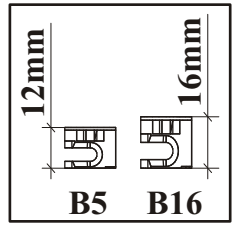


5

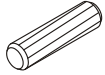
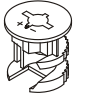
A1	
x2	ø8x36

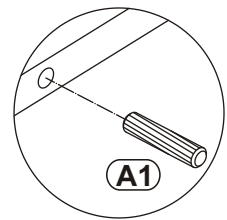
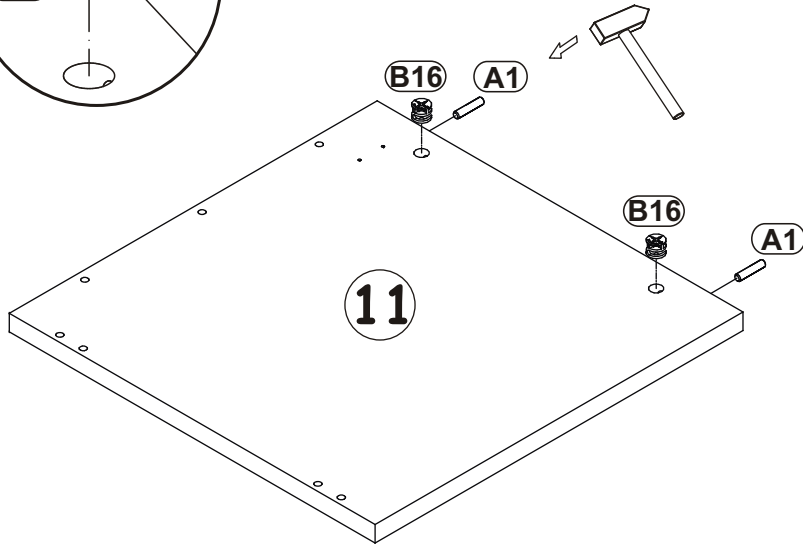
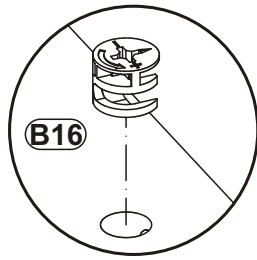
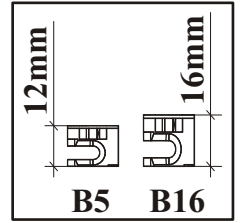
B4	
x2	

B16	
x2	Ø15x16

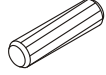
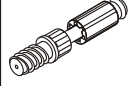



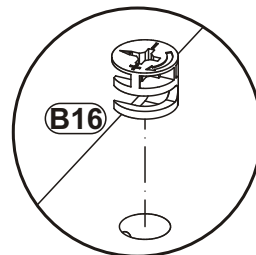
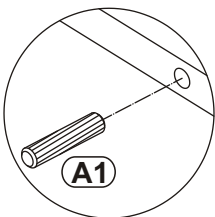
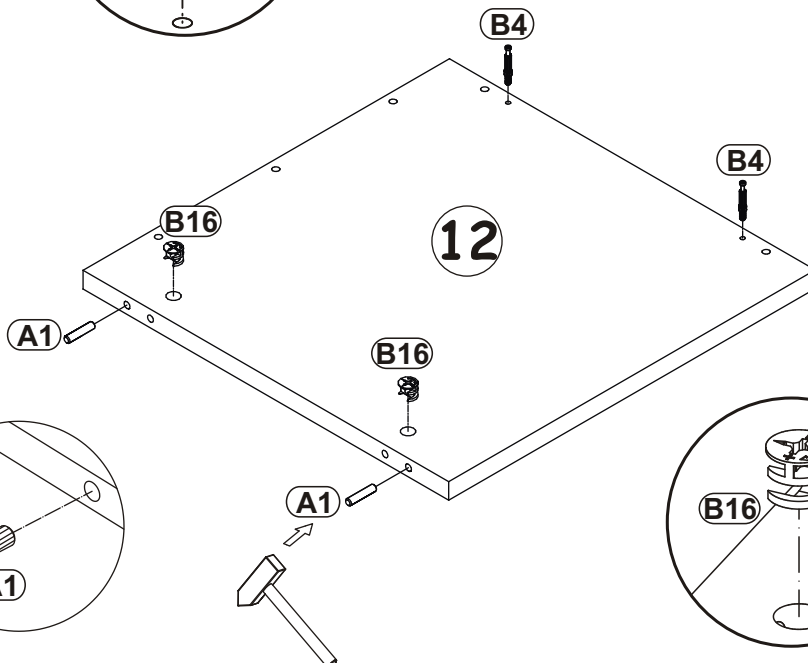
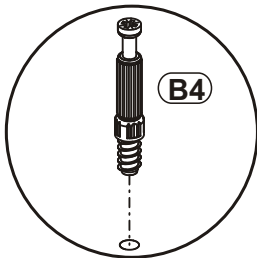
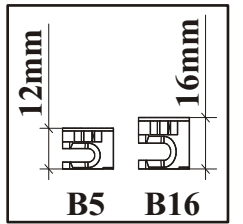
6

A1		B16	
x2	ø8x36	x2	Ø15x16

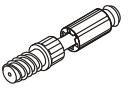


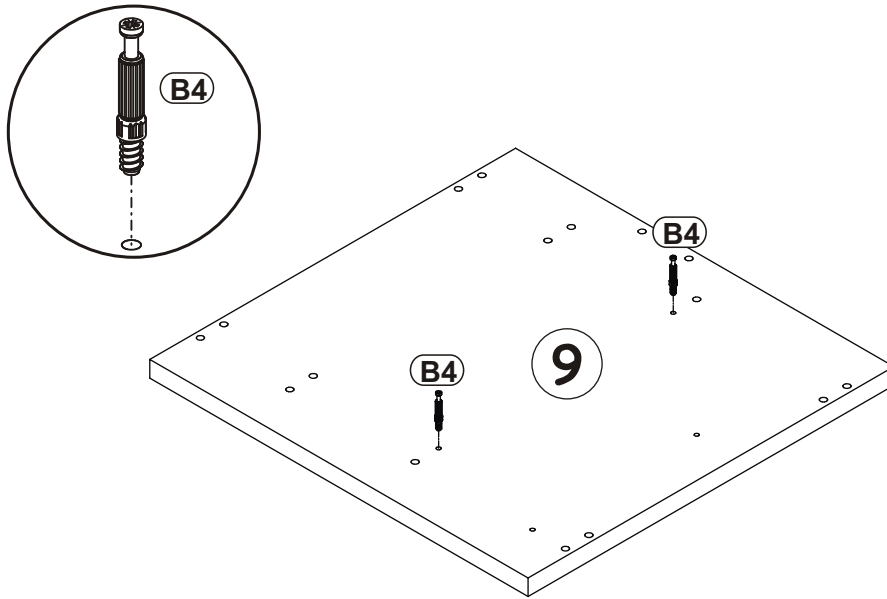
7

A1		B4		B16	
x2	ø8x36	x2		x2	Ø15x16

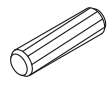



8

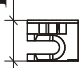

B4	
x2	

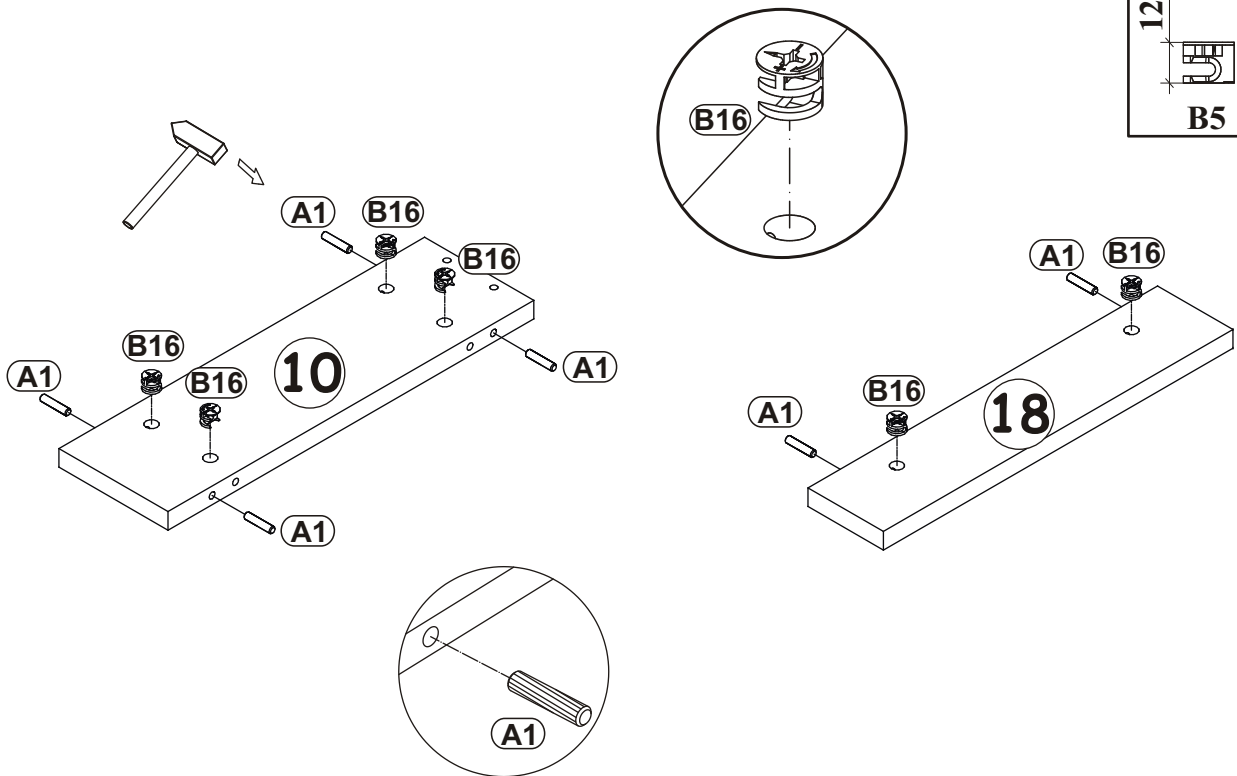


9

A1	
x6	ø8x36

B16	
x6	Ø15x16

	
12mm	16mm
B5	B16

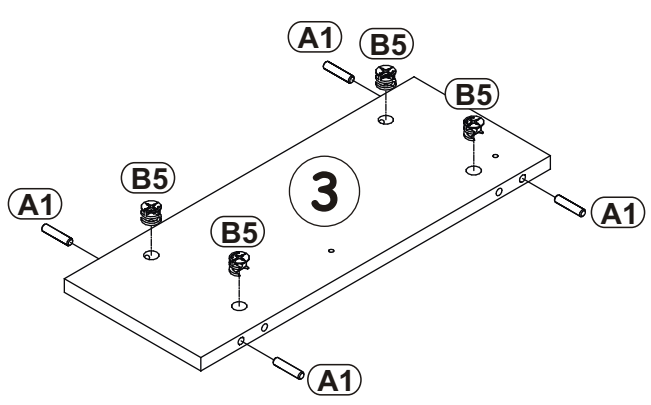
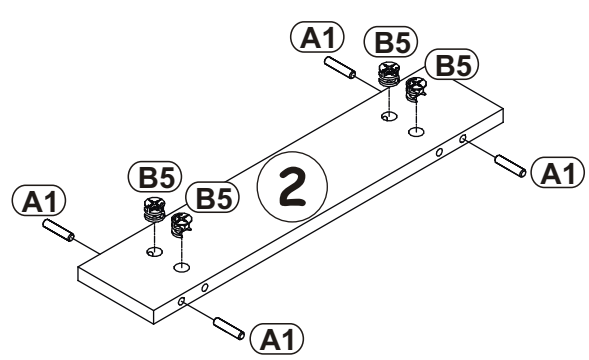
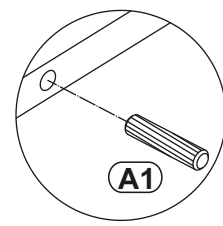
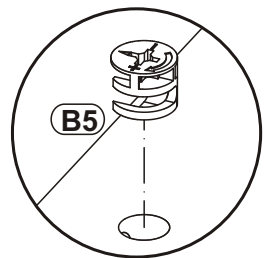
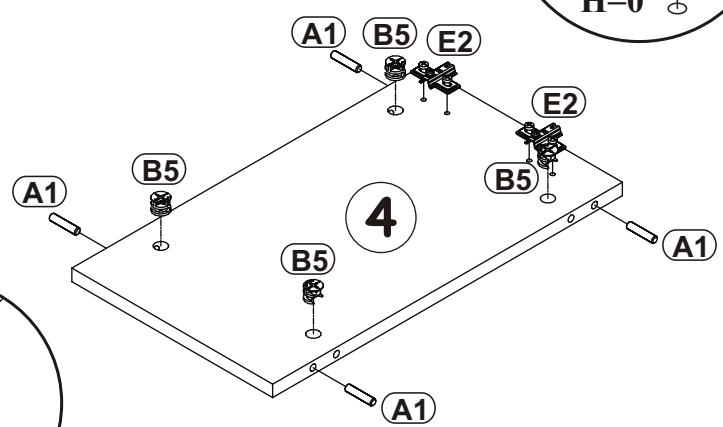
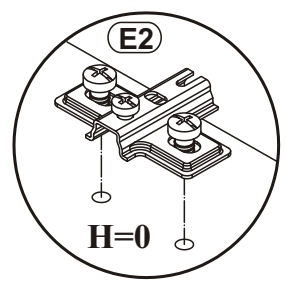
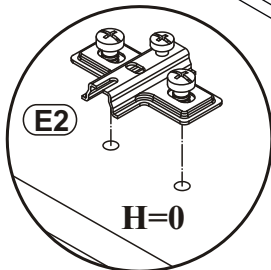
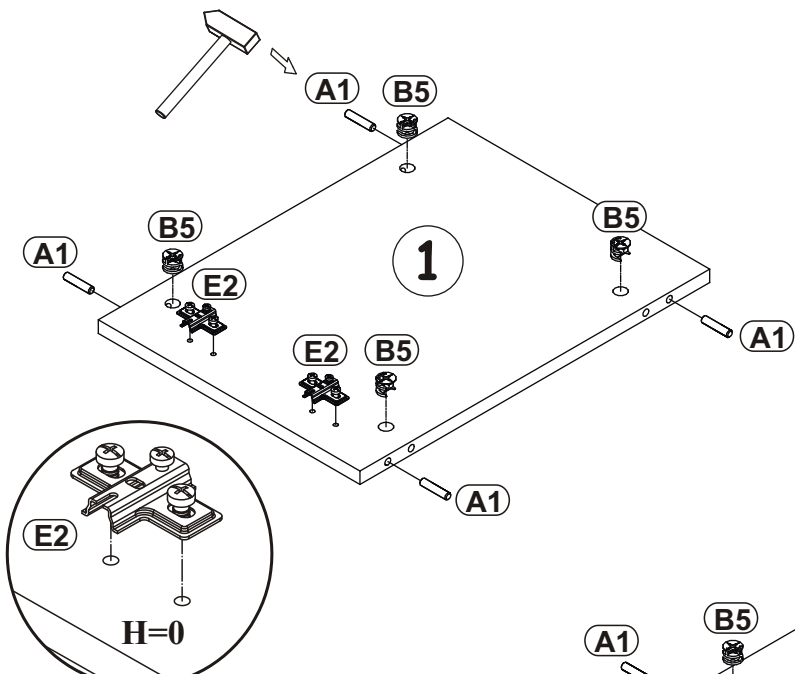
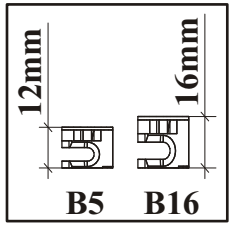


10

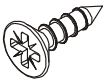
E2	
x4	H=0

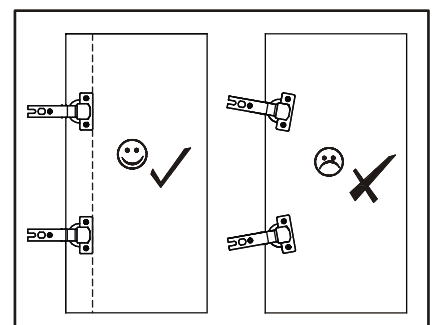
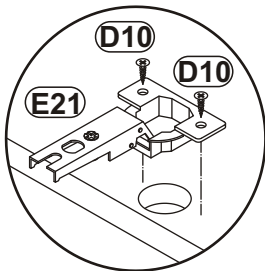
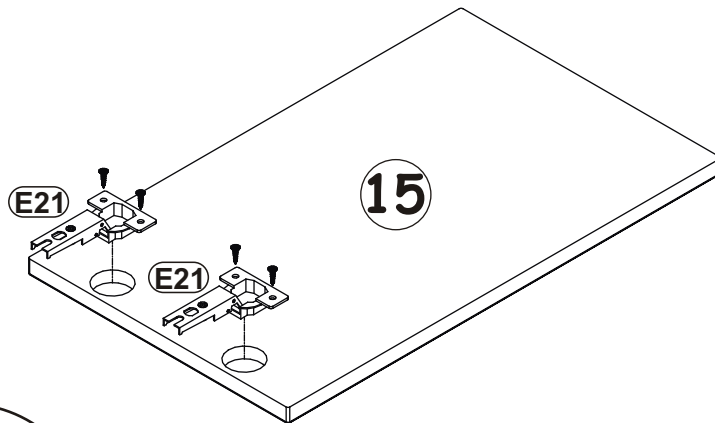
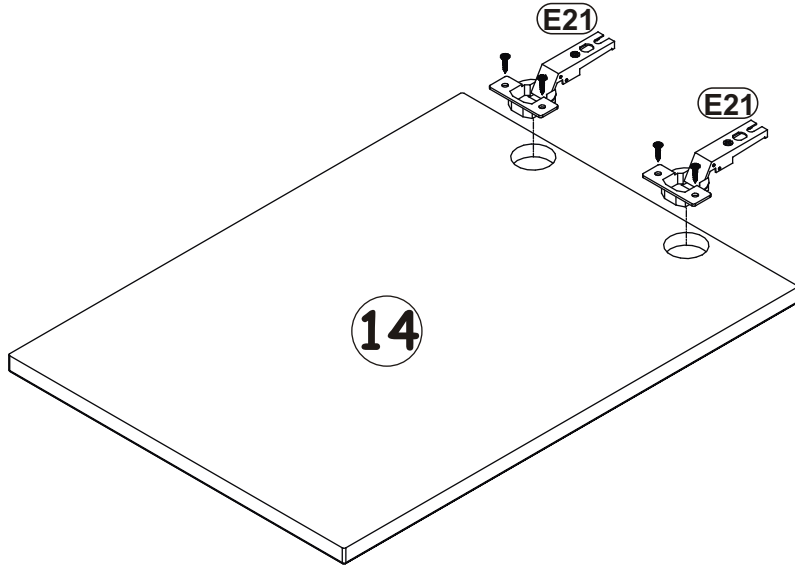
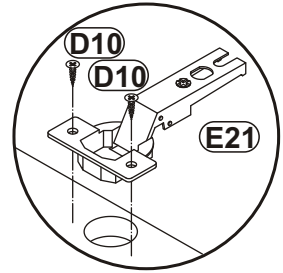
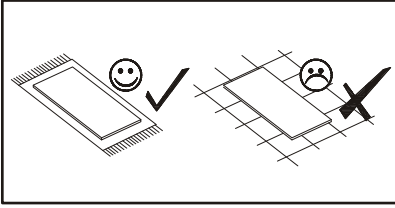
A1	
x16	ø8x36

B5	
x16	ø15x12

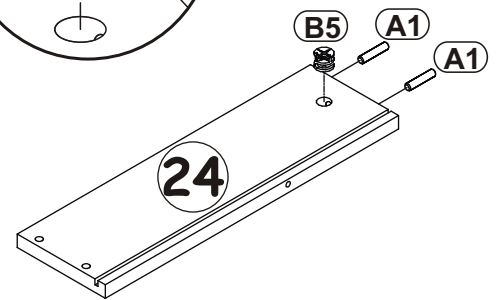
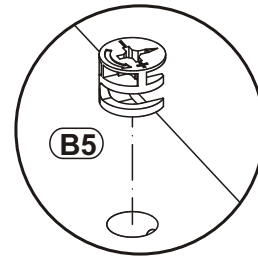
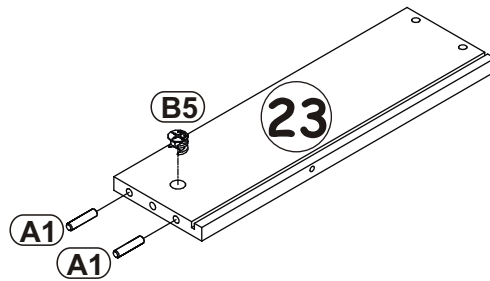
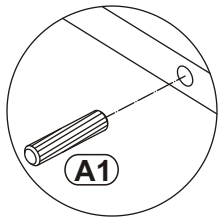
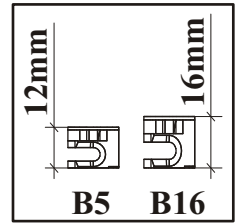
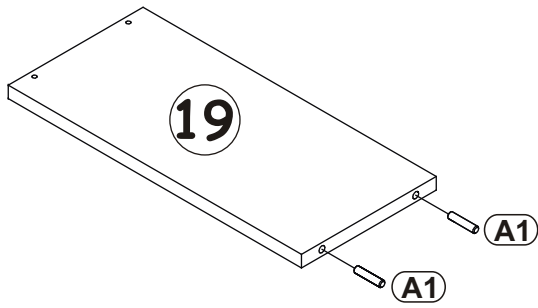
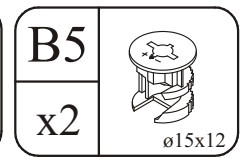
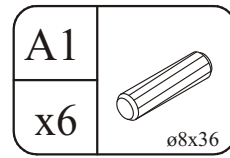


11

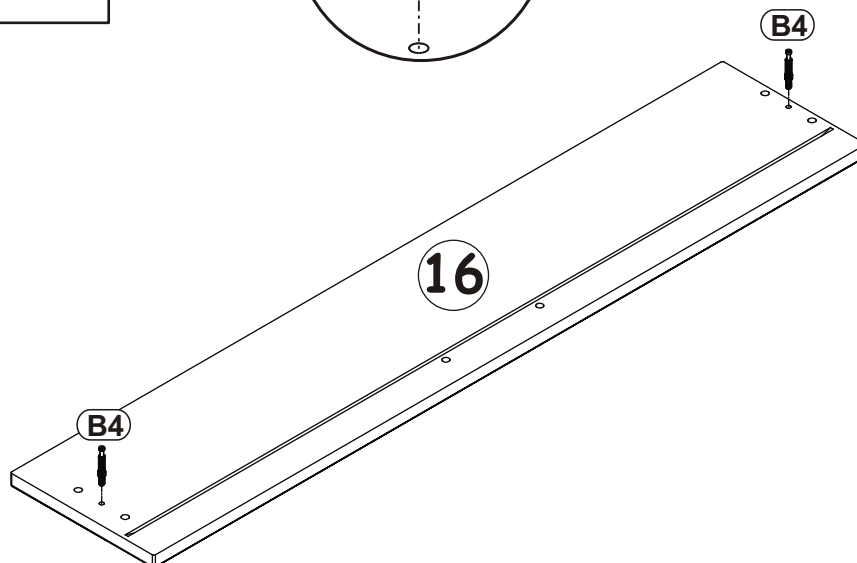
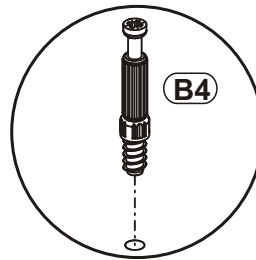
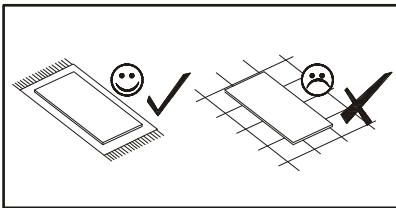
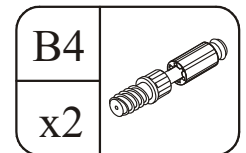
E21	Ø35	D10	 USØ3,5x13
x4	H=0	x8	



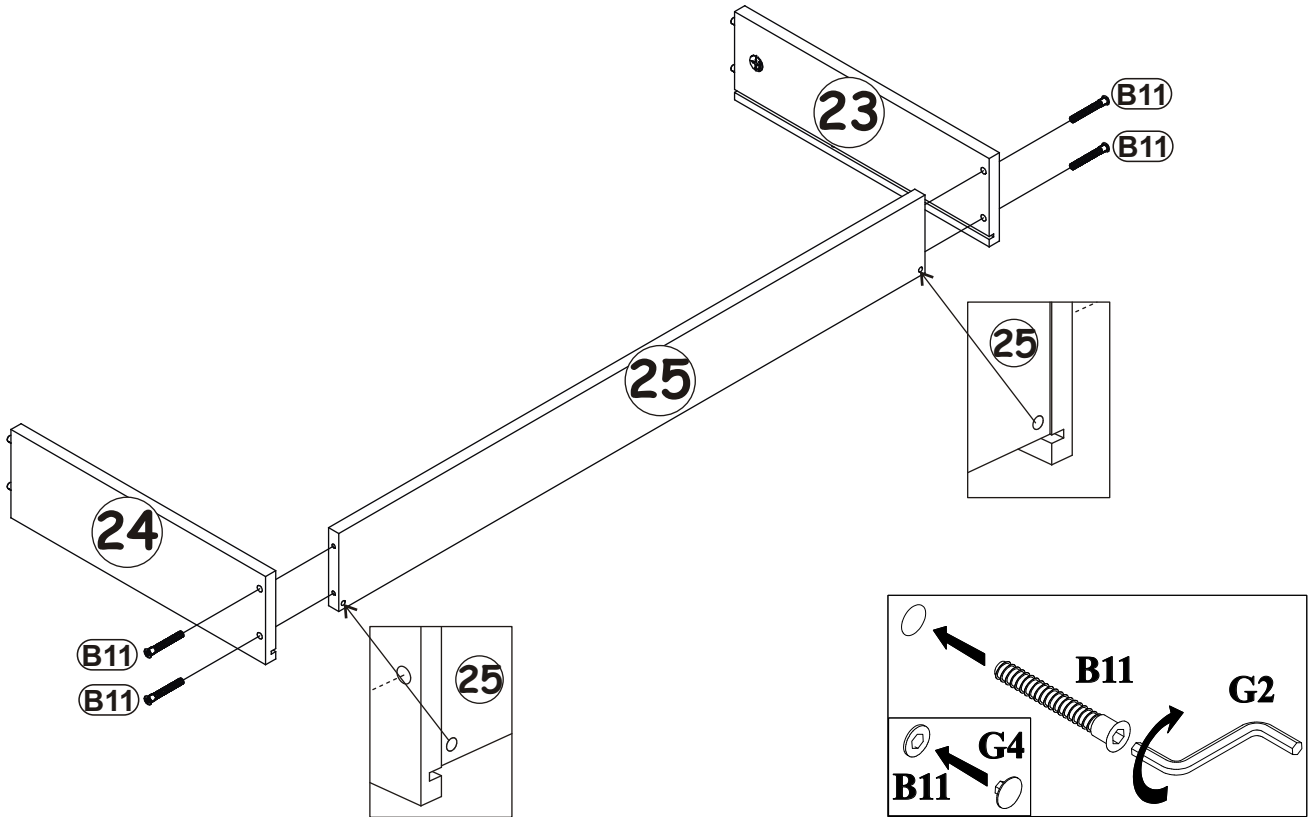
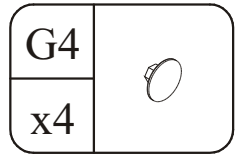
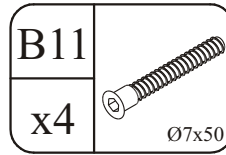
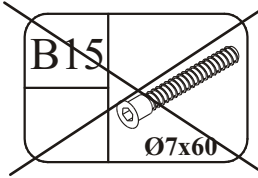
12



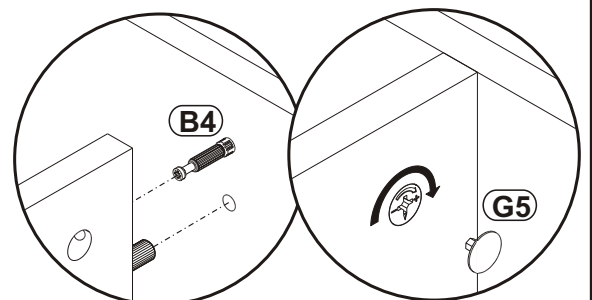
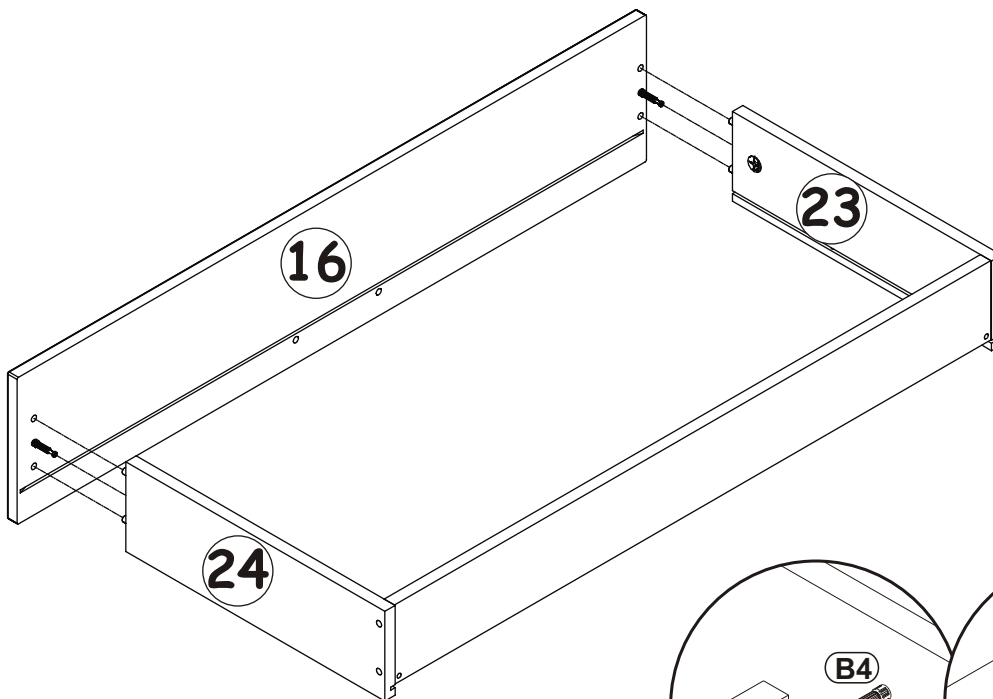
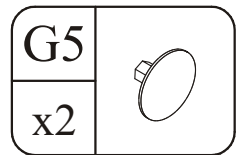
13



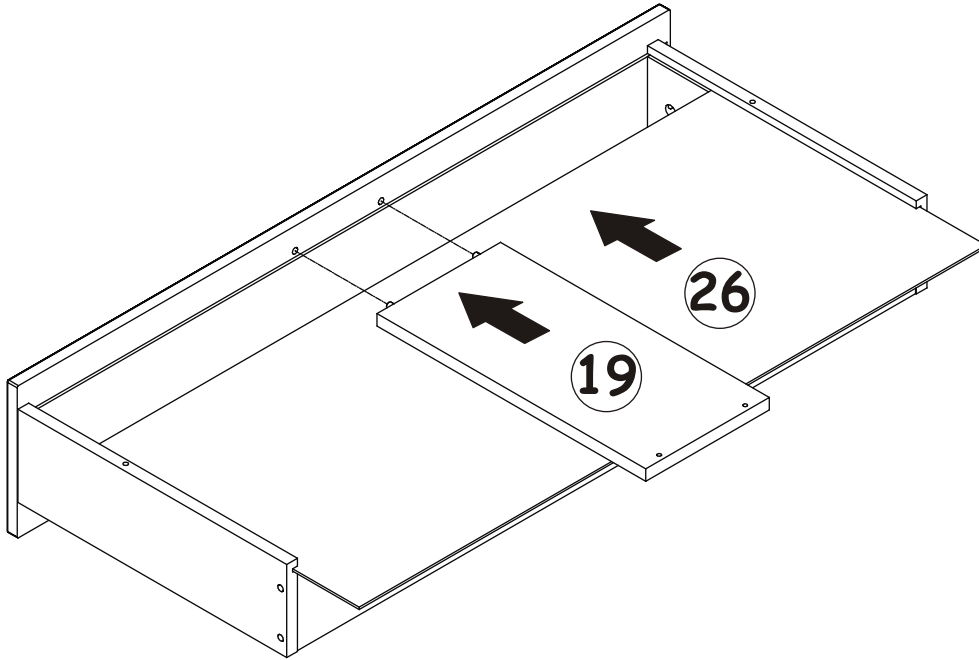
14



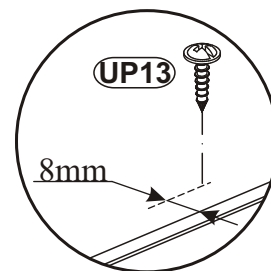
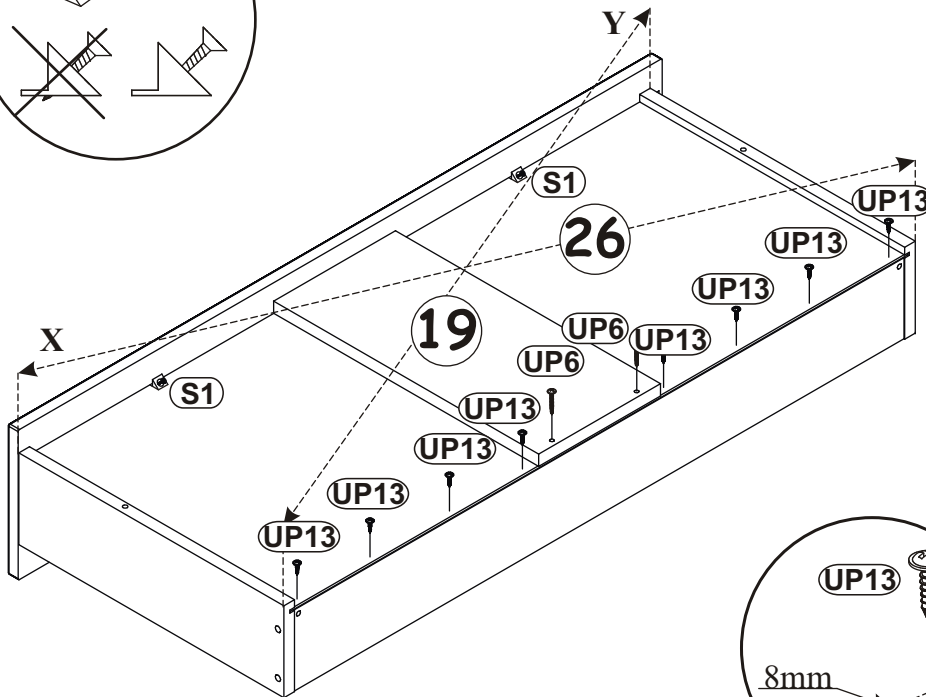
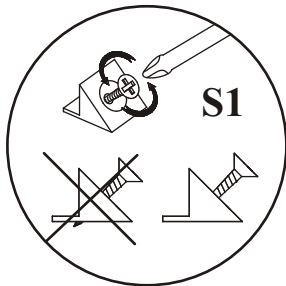
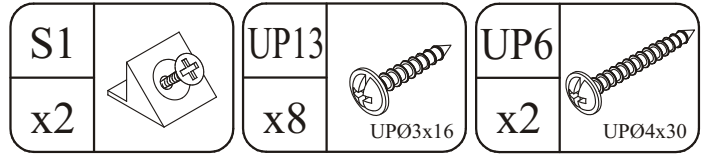
15



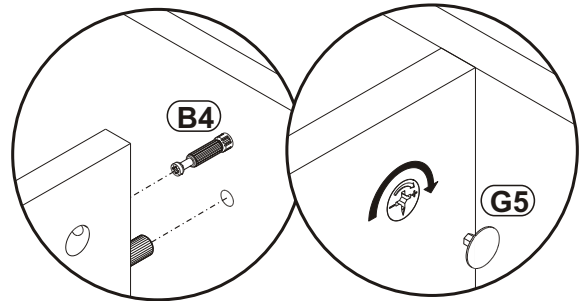
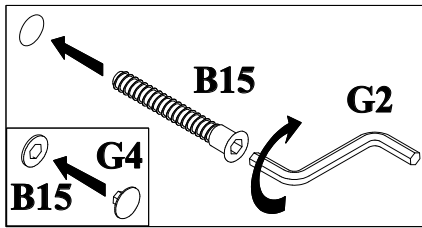
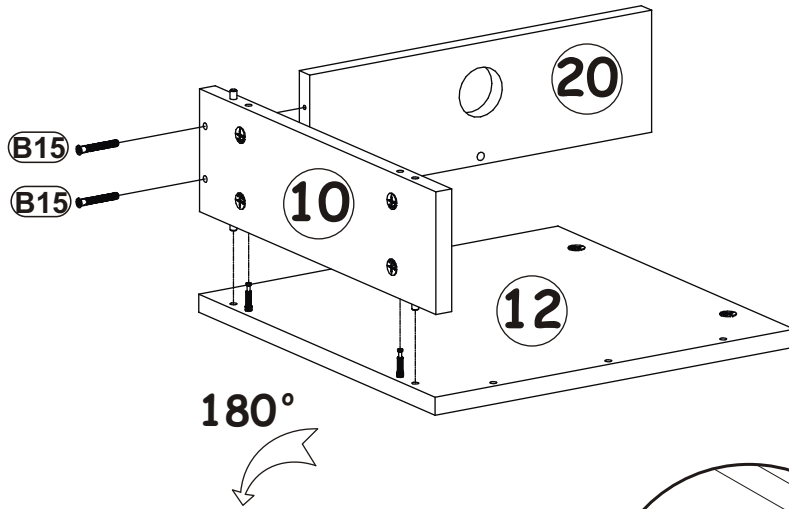
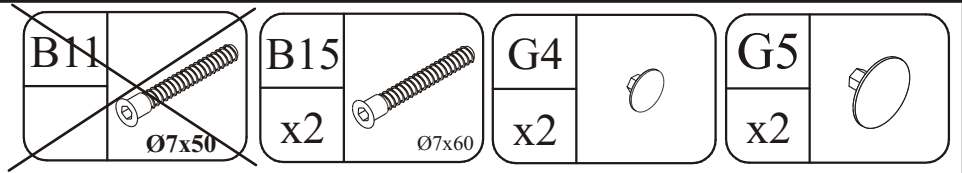
16



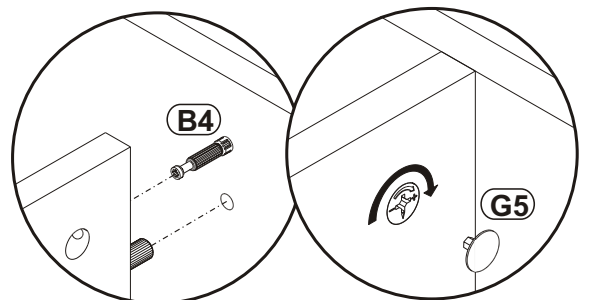
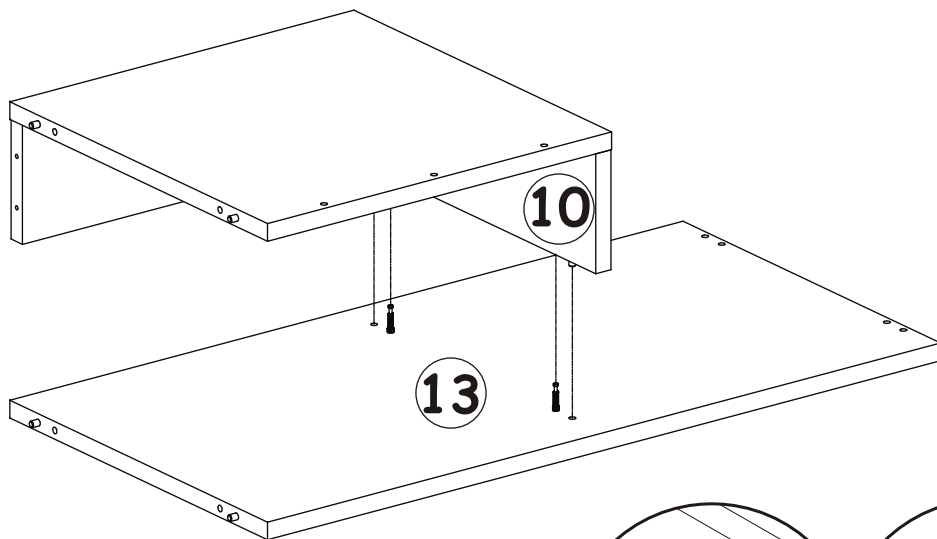
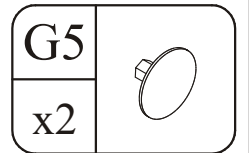
17



18

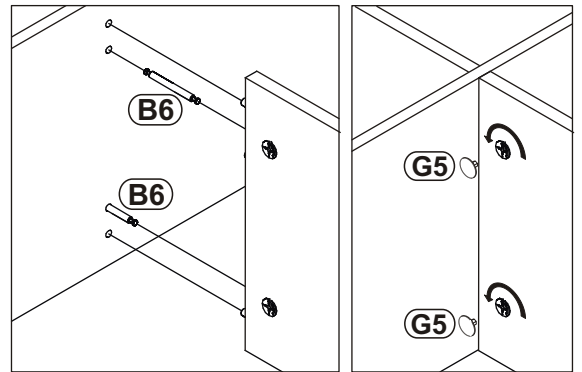
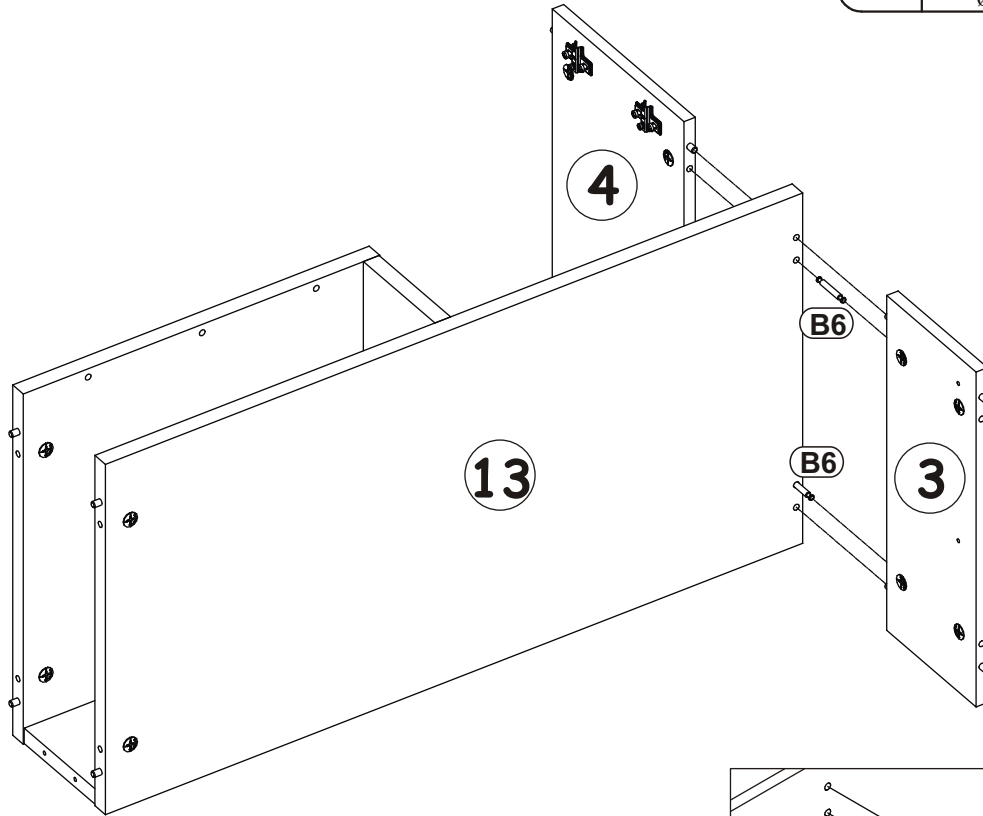


19




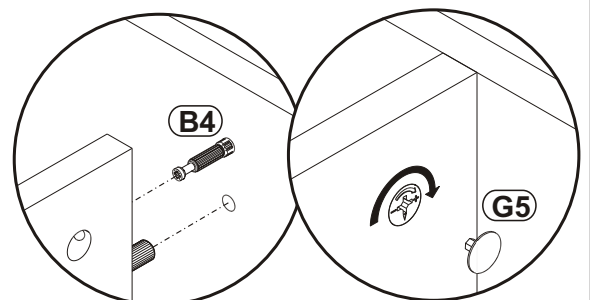
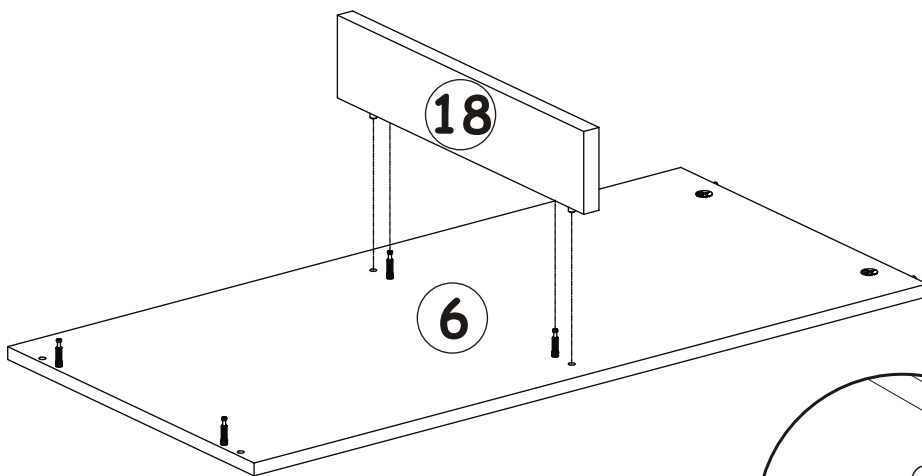
20

B6	 Ø7x76	G5	
x2		x4	




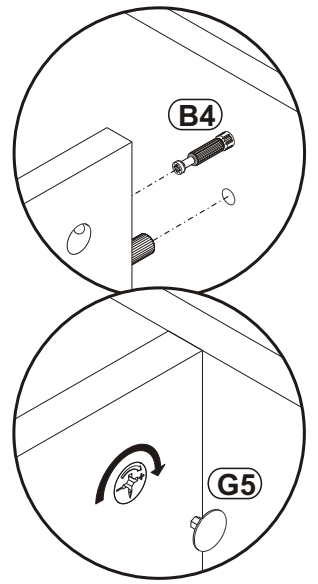
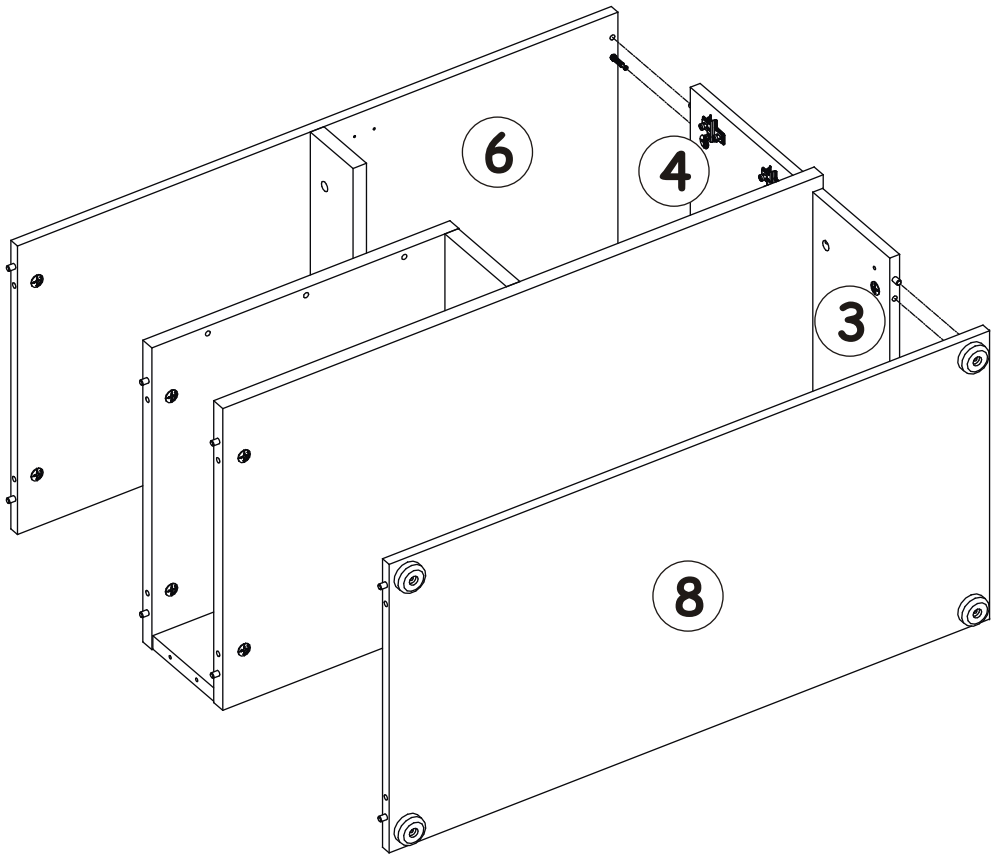
21

G5	
x2	

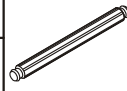



22

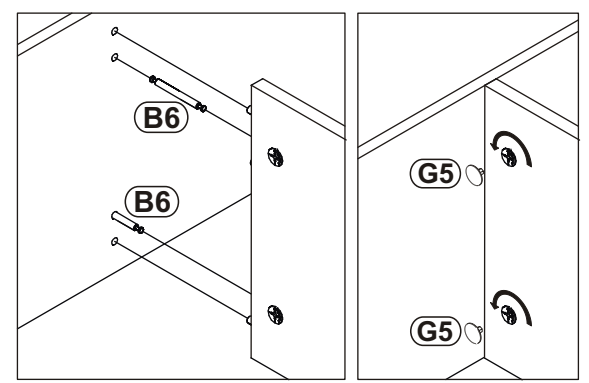
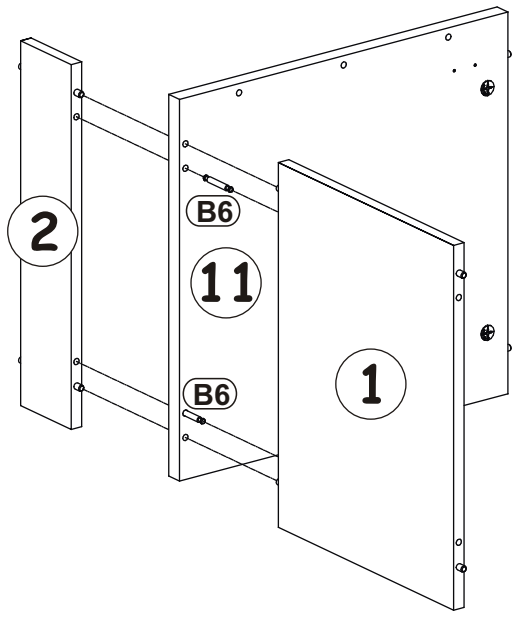
G5	
x4	



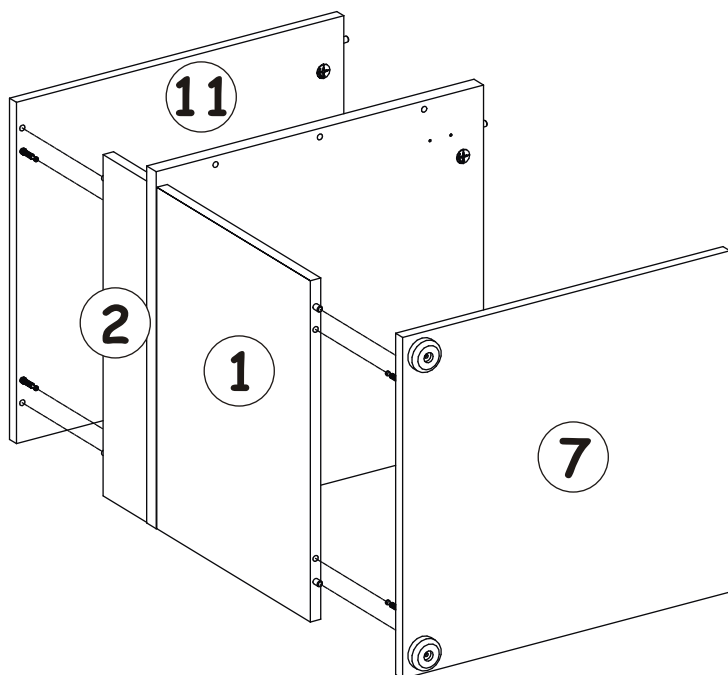
23


B6	
x2	Ø7x76

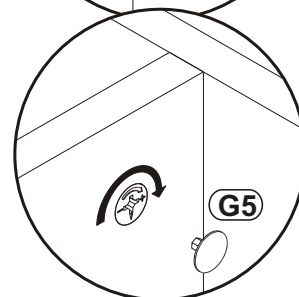
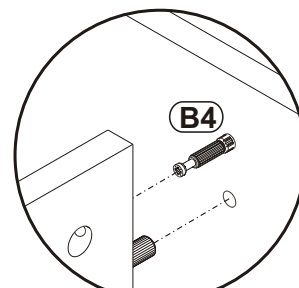
G5	
x4	



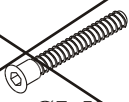
24

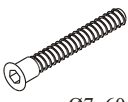



G5	
x4	

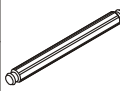



25

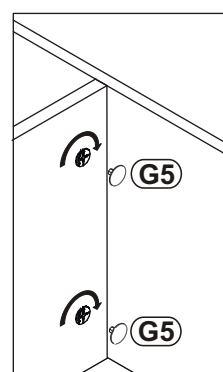
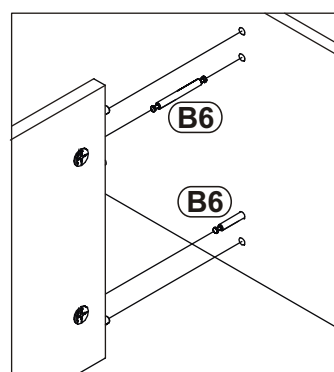
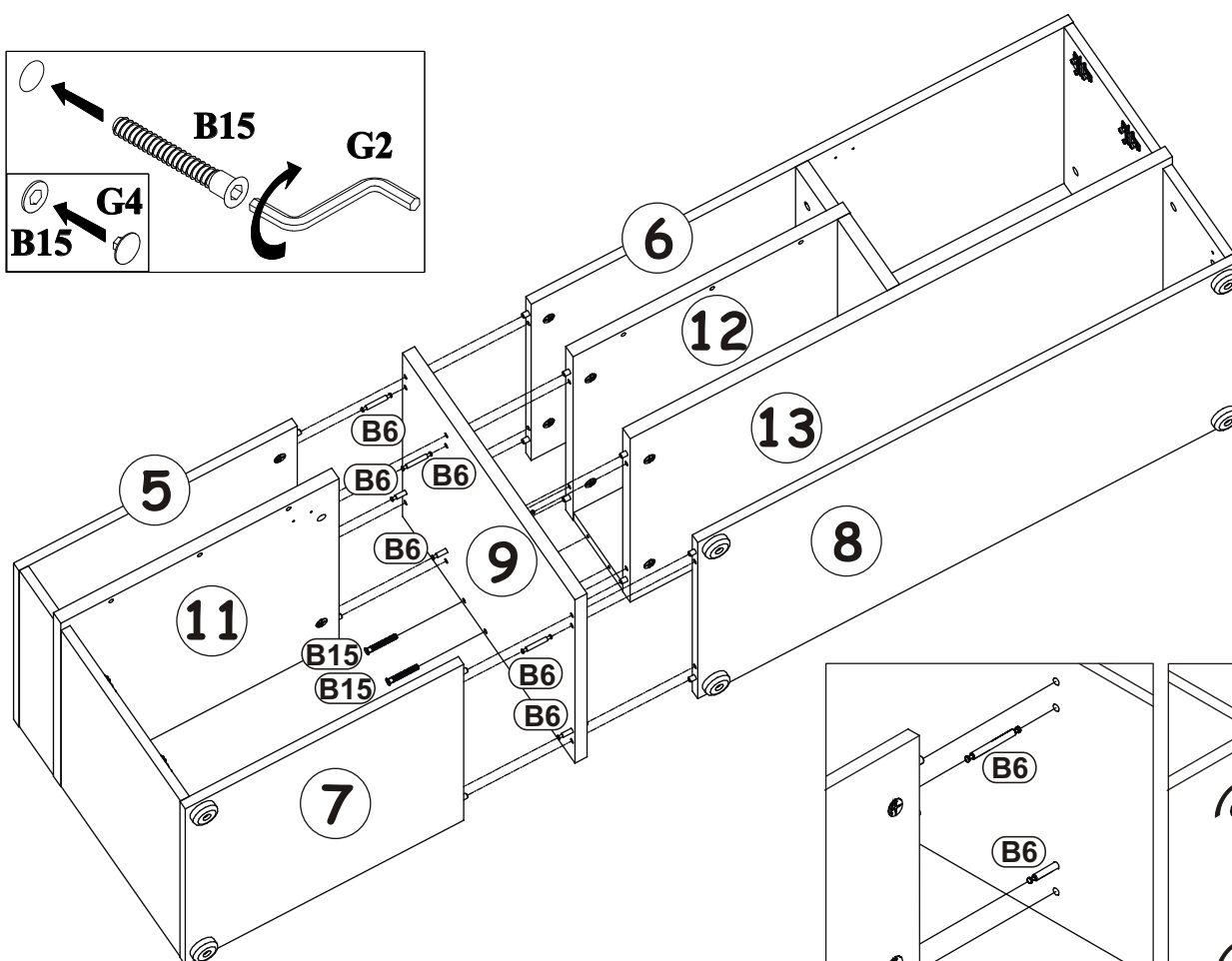
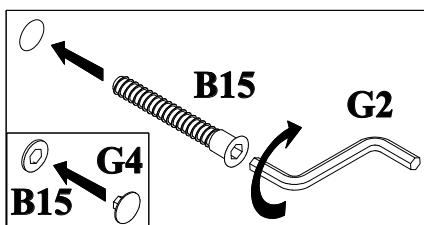
B11	
	Ø7x50

B15	
x2	Ø7x60

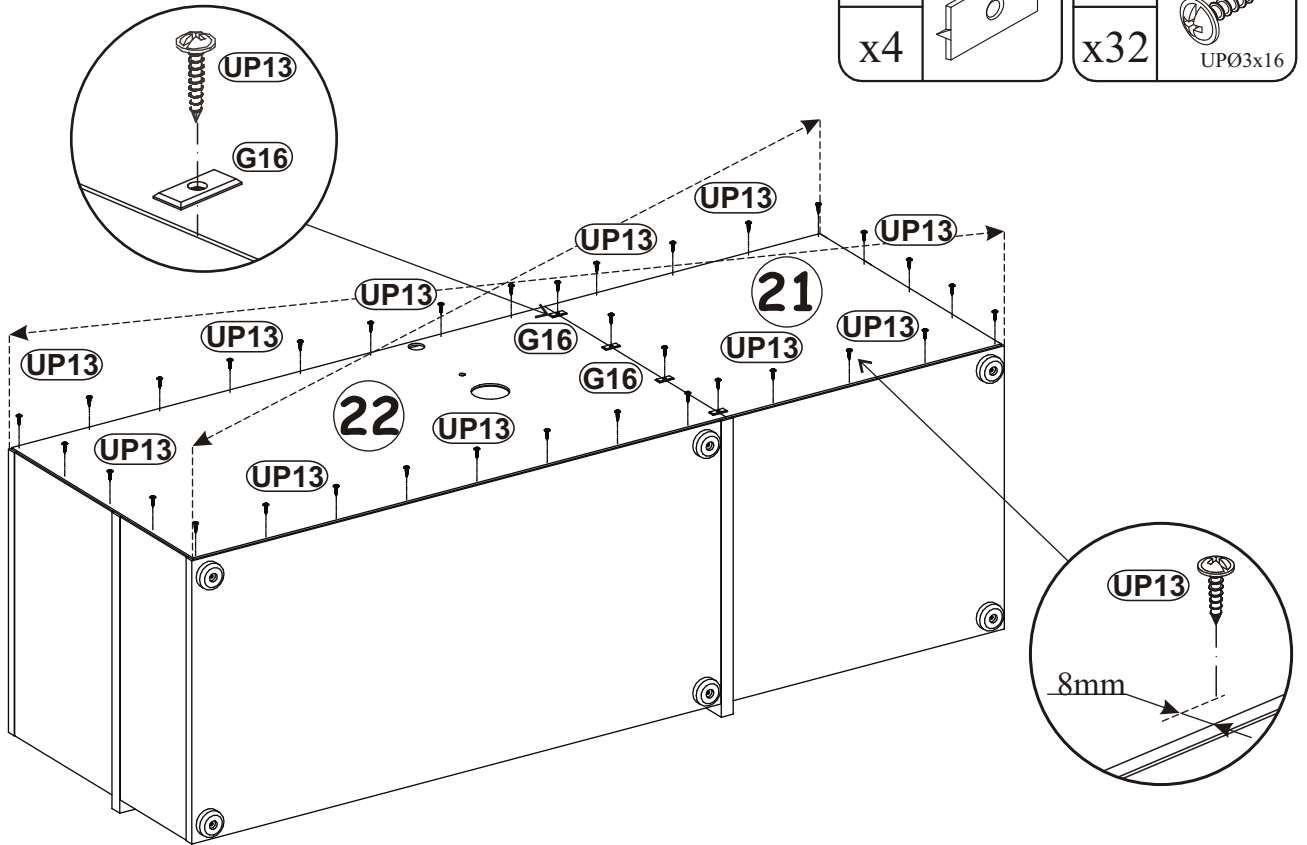
G4	
x2	

B6	
x6	Ø7x76

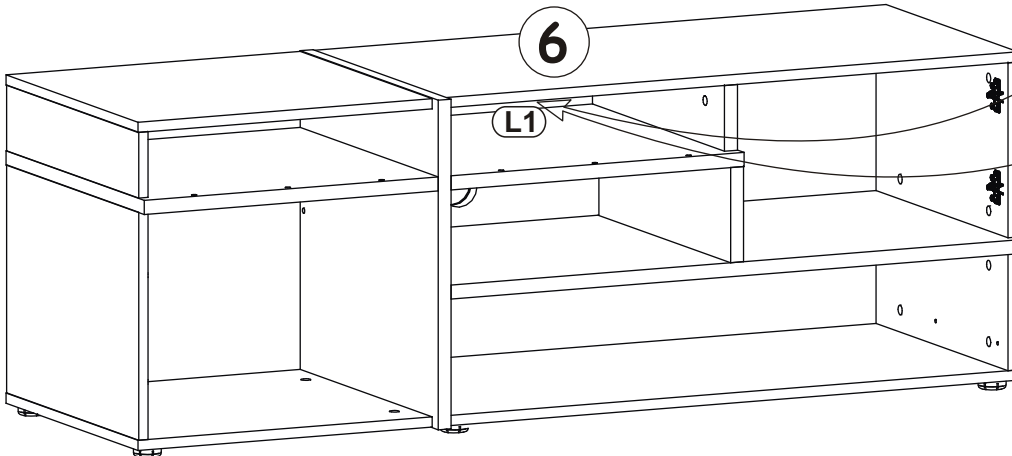
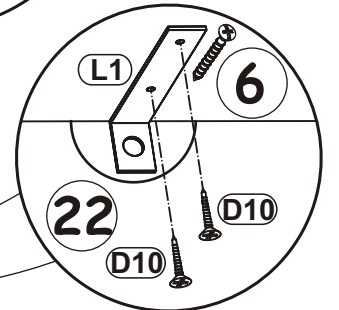
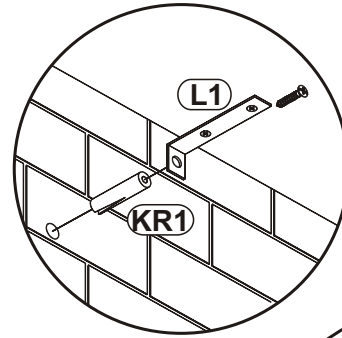
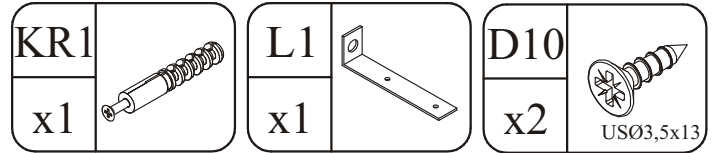
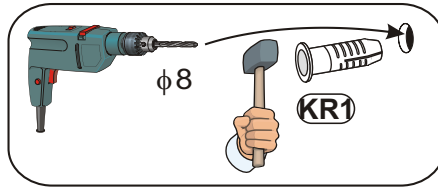
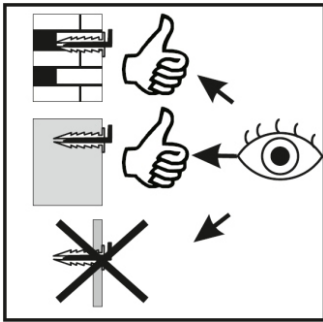
G5	
x14	

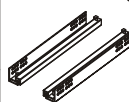
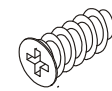
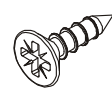





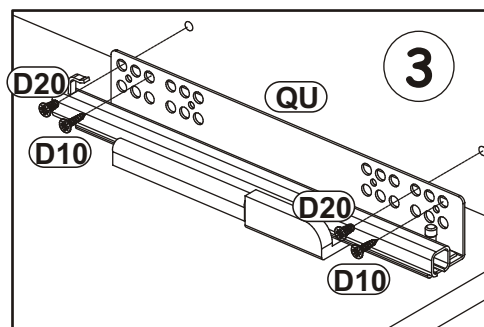
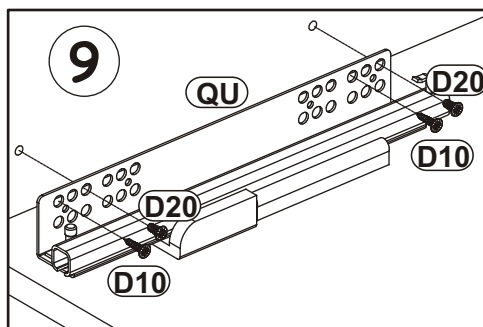
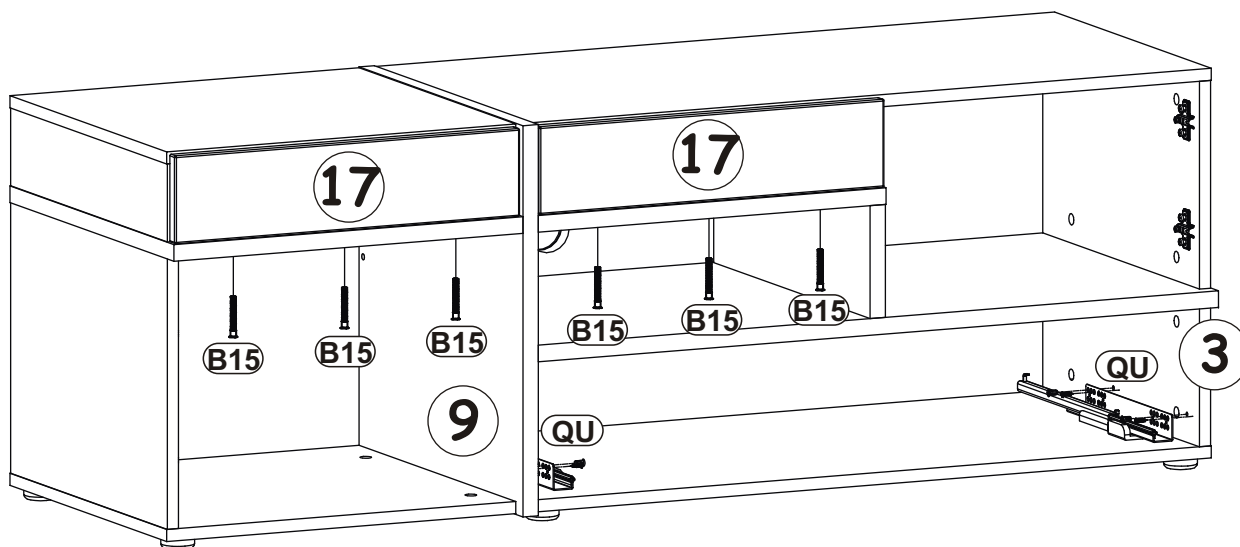
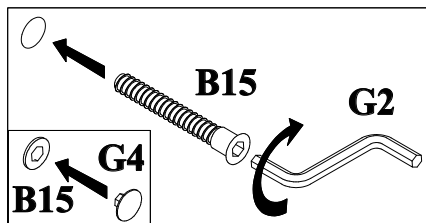
26



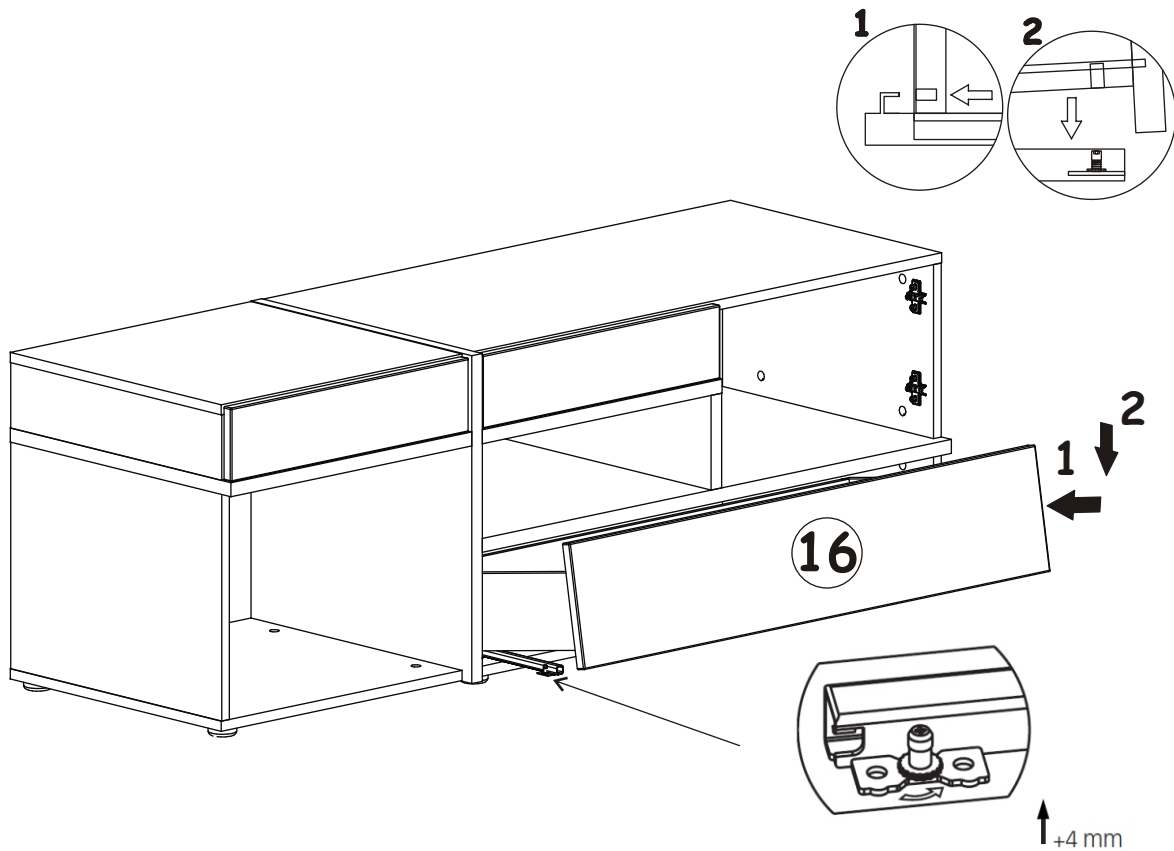
27



QU	 L-400mm	D20	 ESØ6,3x9,5	D10	 USØ3,5x13
x1		x4		x4	
B11	 Ø7x50	B15	 Ø7x60	G4	
		x6		x6	



29



30

T3		D10	
x2		x4	USØ3,5x13

