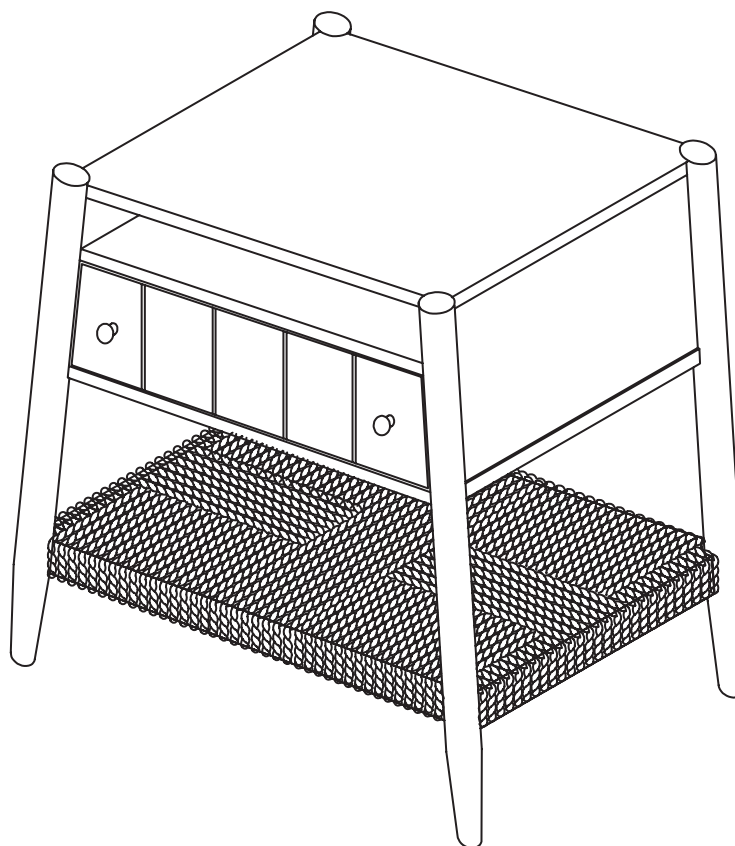


Let's build the

# Meads Nightstand

SKU 32720



**Scan me!**

Free Lifetime  
Warranty

nathan james

25-0104-VN

# Ok, let's get rolling

This should be easy, just follow our instructions and you will be back to Netflix in no time.

## Estimated time for assembly



25:00

## What you need

- Some of your favourite bubbly or your preferred relaxant
- Use the packaging carton as a working surface to prevent product damage during assembly
- Phillips head screwdriver

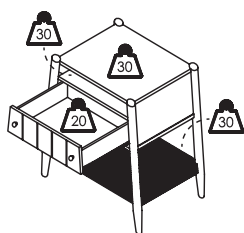
Do not use a drill



## Weight Limitation



110  
lbs



## What's included

	Description	Qty
A	Top Panel	1
B	Drawer Cabinet Assembly	1
C	Side Frame Assembly	2
D	Bottom Shelf	1
1	Ø1/4" x 28mm Hex Button Head Bolt	8
2	Ø1/4" x 60mm Hex Button Head Bolt	4
3	Ø1/4" x 10mm Spring Washer	12
4	Ø1/4" x 13mm Flat Washer	4
5	Ø1/4" x 19mm Flat Washer	8
6	Allen Key	1
7	Ø8x20mm Wooden Dowel	4
8	Handle	2
9	Ø5/32" x 35mm Bolt	2
10	Plastic Nail-in Foot (Extra)	4

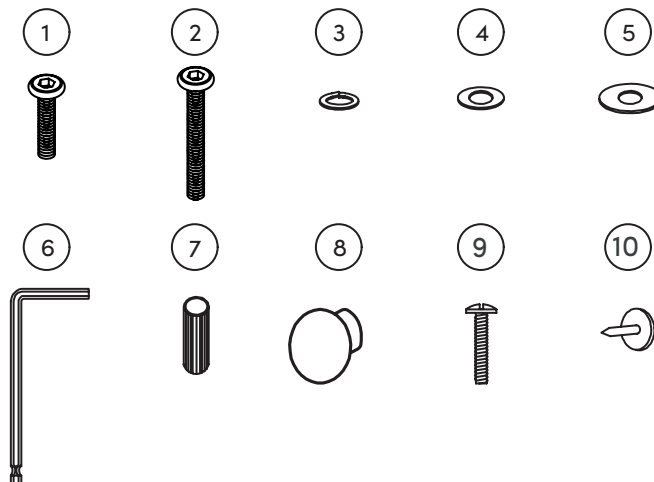
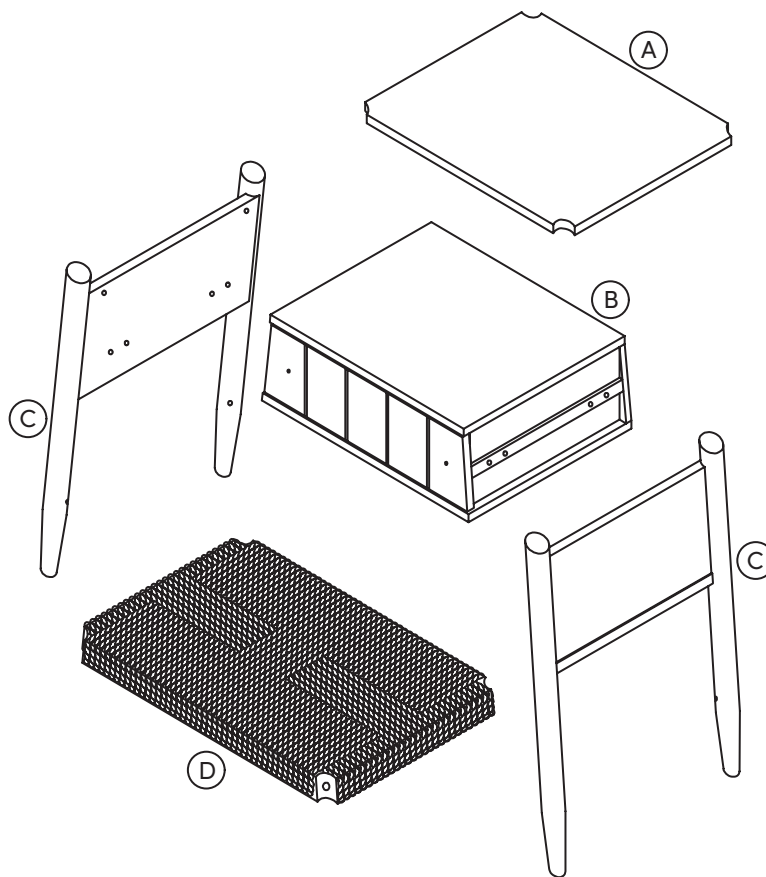
Toll-free at 1-866-619-1004  
Help@nathanjames.com  
Nathanjames.com/help

Scan me!

Free Lifetime  
Warranty



# The goods



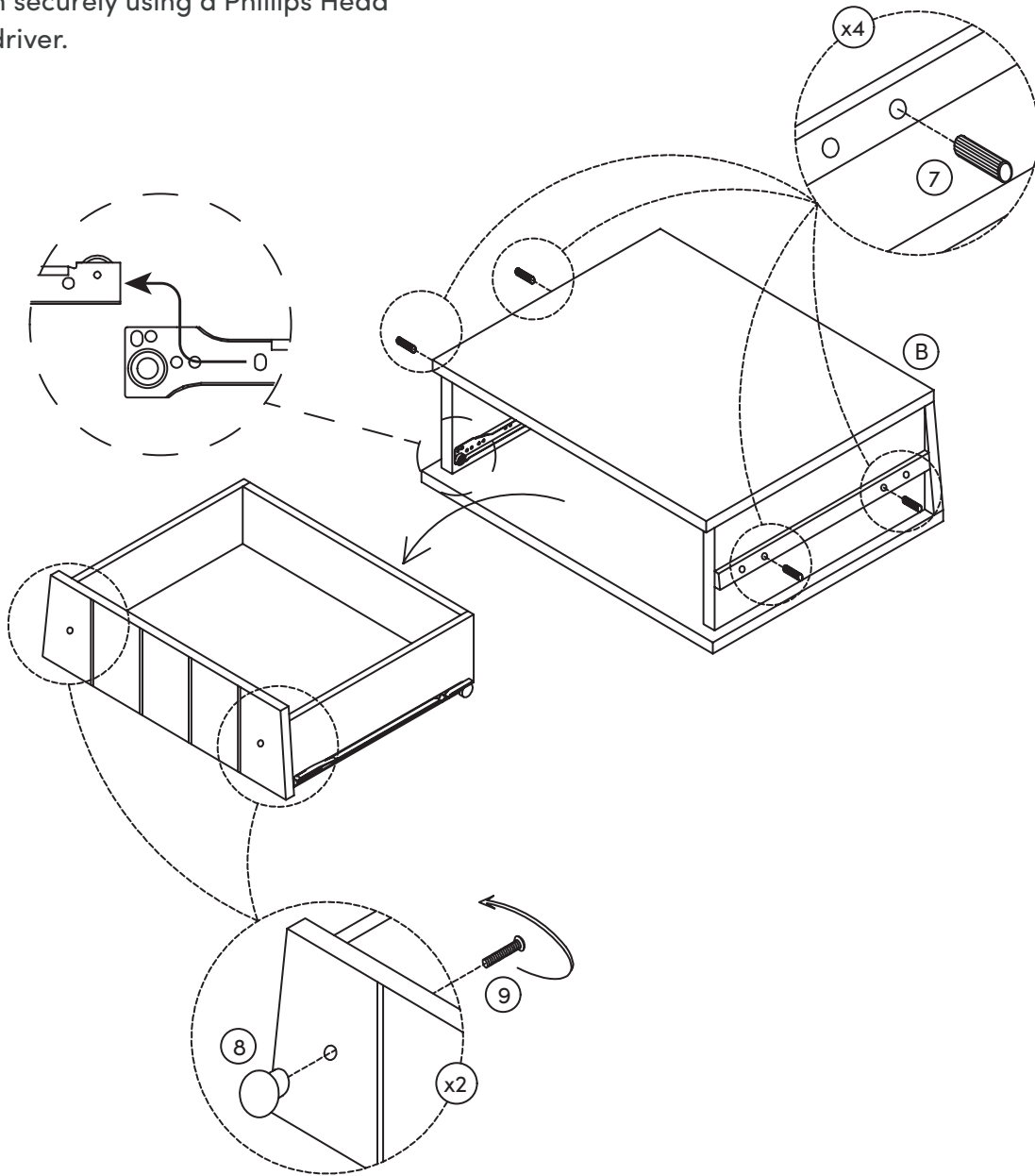
## IMPORTANT

1. Do not tighten bolts / screws completely until all bolts / screws are lined up and inserted into holes.
2. Do not over tighten screws and bolts to avoid stripping.
3. Please use hand tools to assemble this product. Do not use power tools.

# Step 1

⑦ x4pcs   ⑧ x2pcs   ⑨ x2pcs

Let's get this thing fired up!  
Insert 4 wooden dowels (7) into the designated holes in the Drawer Cabinet Assembly (B).  
Attach the Handles (8) to the Drawer Cabinet Assembly (B) using 2 Bolts (9).  
Tighten securely using a Phillips Head Screwdriver.



# Step 2



You're within minutes of pressing play on Netflix!

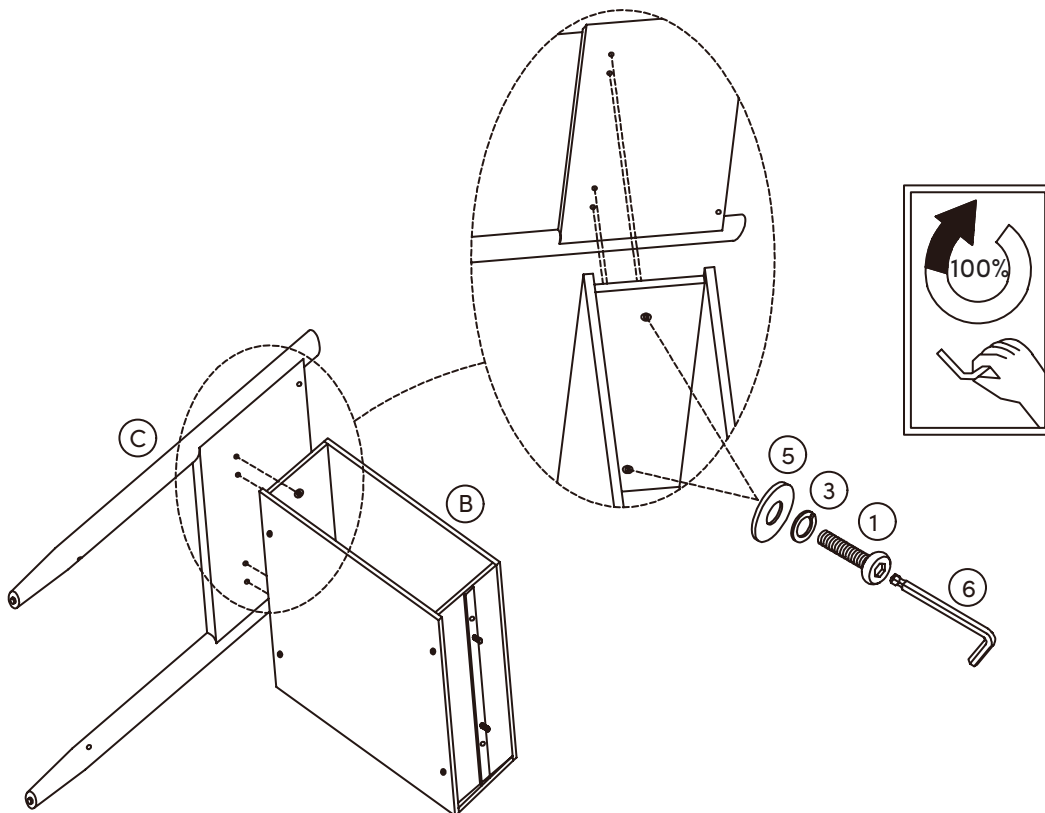
Secure the Side Frame Assembly (C) to the Drawer Cabinet Assembly (B) using:

Hex Button Head Bolts (1)

Spring Washers (3)

Flat Washers (5)

Use the Allen Key (6) to tighten to 100%.



# Step 3



Attach the Bottom Shelf (D) to the assembled frame from Steps 1 and 2.

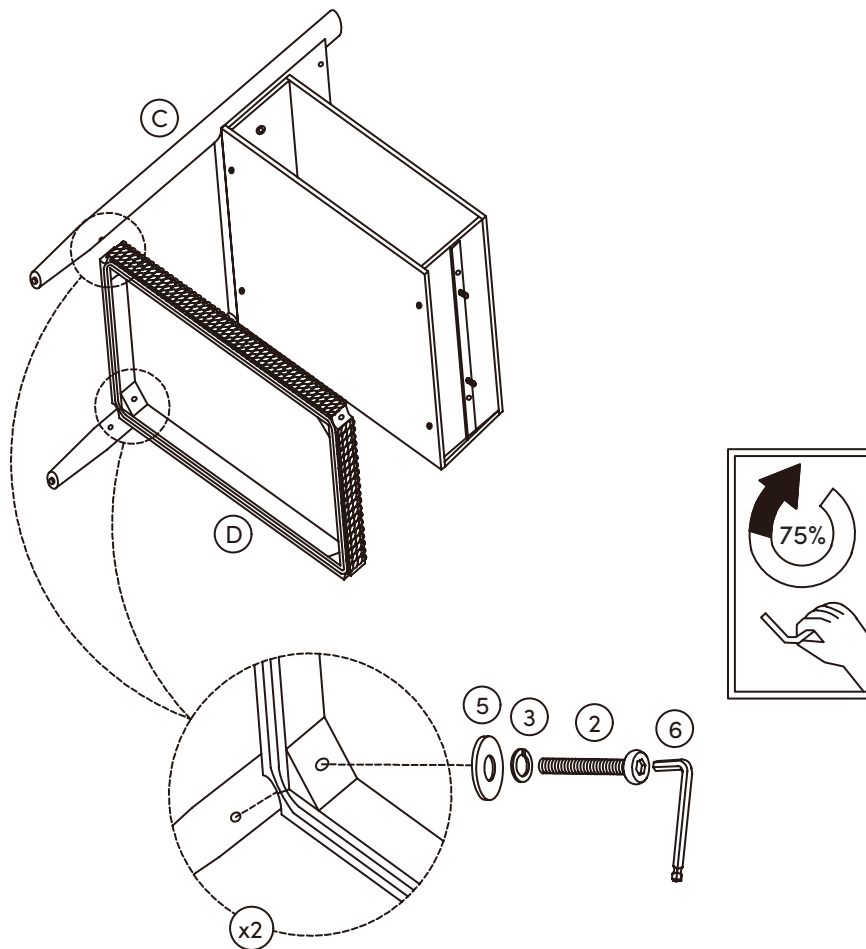
Secure with:

Hex Button Head Bolts (2)

Spring Washers (3)

Flat Washers (5)

Tighten 75% for now.



# Step 4



Secure the Bottom Shelf (D) and the Drawer Cabinet Assembly (B) to the Side Frame Assembly (C) on the opposite side.

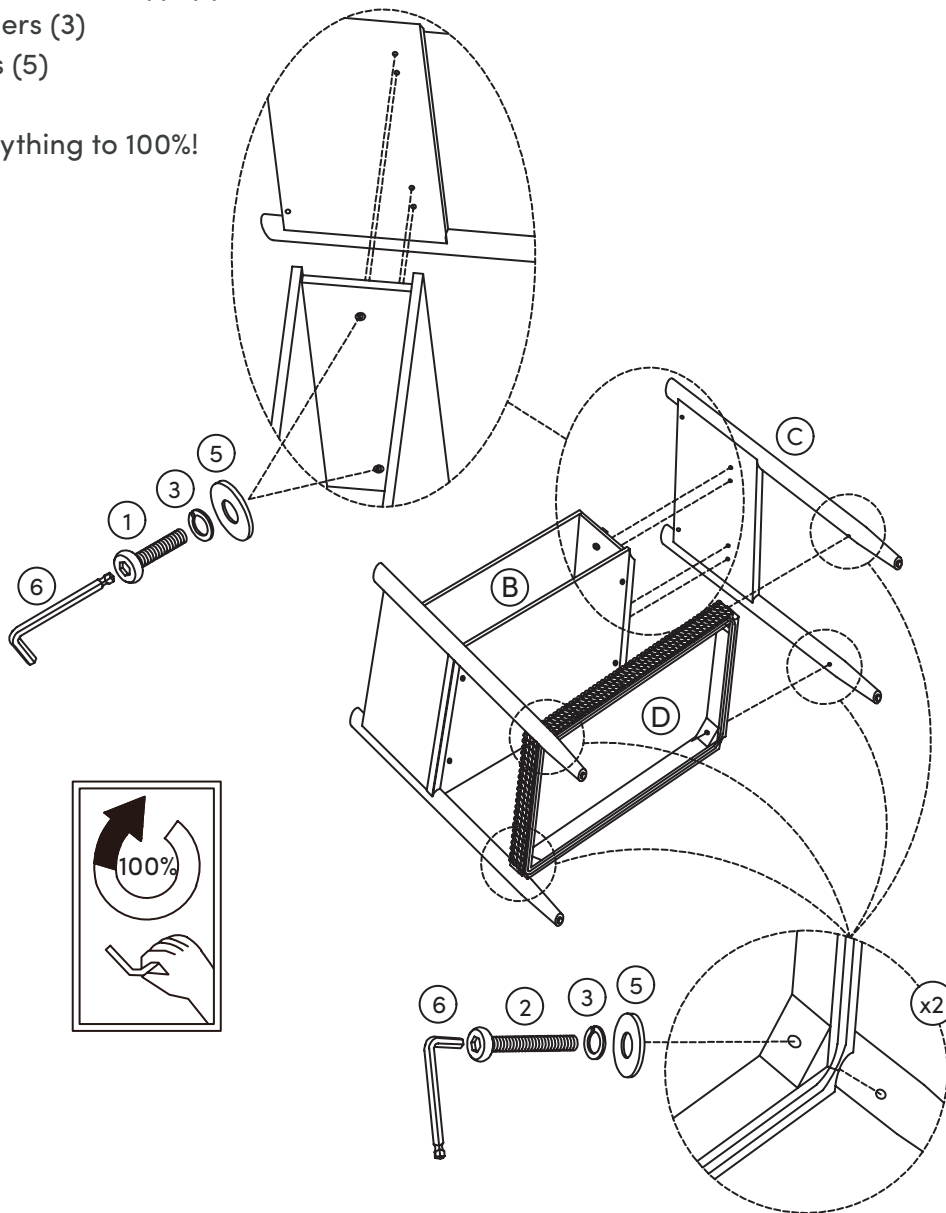
Tighten using:

Hex Button Head Bolts (1), (2)

Spring Washers (3)

Flat Washers (5)

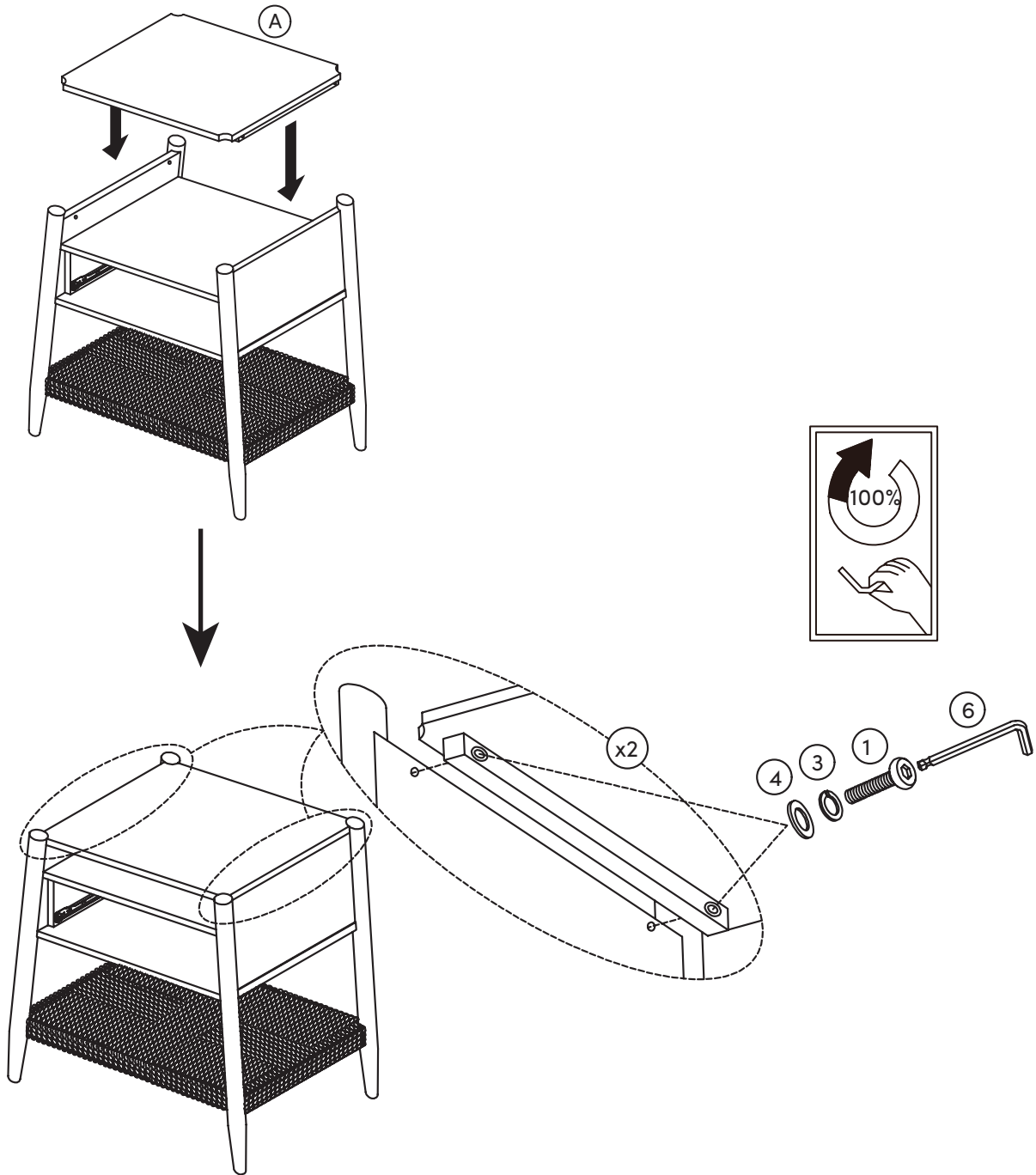
Tighten everything to 100%!



# Step 5



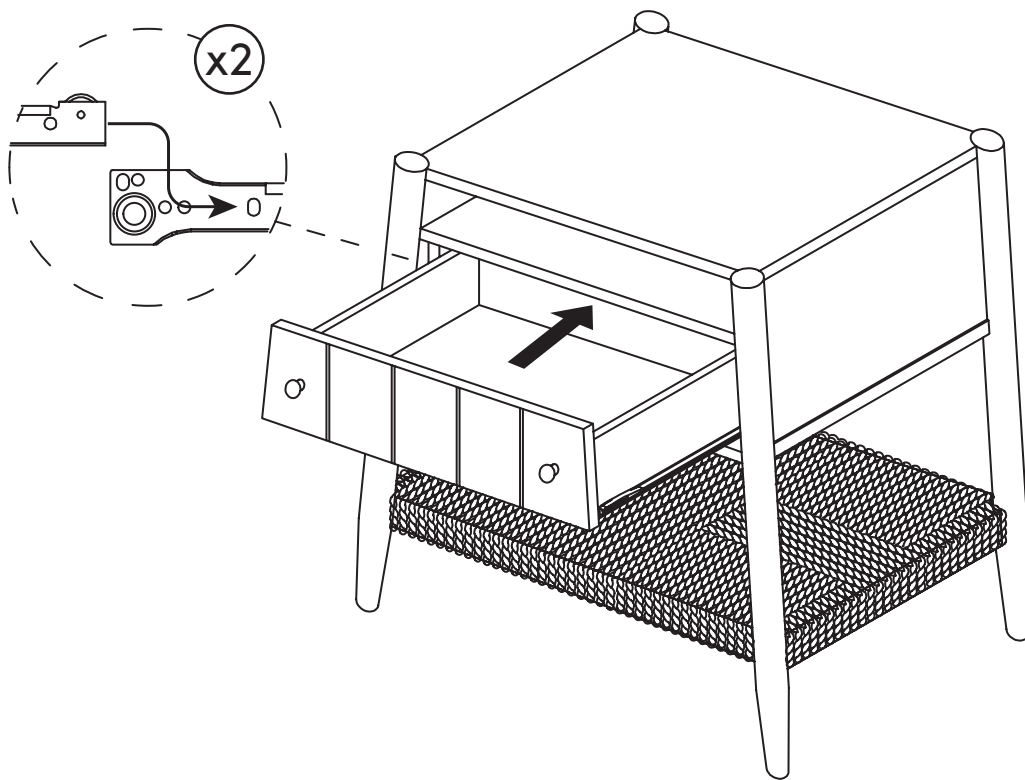
Attach the Top Panel (A) to the unit using:  
Hex Button Head Bolts (1)  
Spring Washers (3)  
Flat Washers (4)



# Step 6

Last, but not least, carefully slide the drawer in to the unit!

You did it! Time for a celebratory pizza? We think yes.



# No heartburn, when we handle the return

Give us a call **1-866-619-1004** or shoot us a message at **help@nathanjames.com** we will issue you a free replacement with **zero hassle**.

## Our way



Give us a call

---



Replacement

---



You

## Their way



Re-package item

---



Schedule pick up

---



Track package

---



Replacement

---



You

We really don't want you to go through the hassle of re-packaging your item and sending it back, because let's be honest...nobody has time for that.

# Safety first, fun later

We want your product to last as long as possible, so we recommend that you tighten the screws 2 weeks after assembly and for added safety check the tightness of all screws every 2 months.

For proper care and treatment, please check our website at [NathanJames.com/products](http://NathanJames.com/products)

## Safe use of this product starts with you.

Use this product responsibly with the primary concern for your safety. Follow assembly instructions carefully and inspect product upon receipt and each use.

Nathan James and its parent companies cannot be held legally responsible for any injuries or death resulted from failure to follow instructions or improper use of this product.

## Do not modify the structure of this product in any way.

Our products have been tested to meet specific safety measures as they were originally intended to be sold. Any modifications will present the risk of creating significant safety issues which NJ will not be responsible for.

## Proper use

- DO NOT** use for commercial purposes
- DO NOT** frolic on side table
- DO NOT** use side table as foot stool
- DO NOT** leave spilled liquid on table top
- DO NOT** use side table if damaged
- DO NOT** make temporary repairs
- DO NOT** use outdoors

# We are only in business if you're happy

For starters, thanks for being you.

☎ Toll-free at 1-866-619-1004

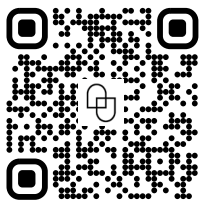
✉ Help@nathanjames.com

🌐 NathanJames.com/help

We do our best to ensure your furniture arrives without any problems, but occasionally mistakes happen—as humans we are imperfect beings. In the event that a part is damaged or missing, we will be more than happy to provide you with replacement part(s) for free.

## Warranty

This product comes with a lifetime warranty from the date of purchase. Please use your phone to scan the QR code to register your product or visit <https://goo.gl/i9dk3q>



### Did we do alright? Please spread the love!

If you are happy with your product, tell your friends and family about us or even better leave us a review online. Spreading the word gives us the opportunity to make more people happy and keep our prices low for your next purchase.

*Brooklyn Burden*

Founder, Nathan James