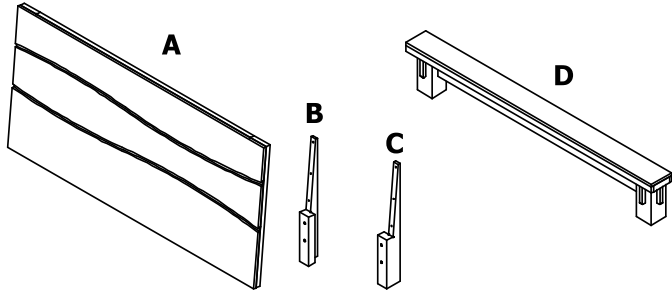


C-KING BED

ASSEMBLY INSTRUCTIONS

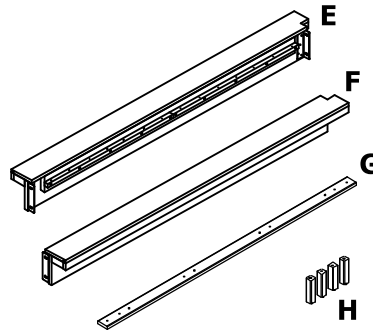
BOX #1

- A. HEADBOARD PANEL 1 PC
- B. LEFT HEADBOARD LEG 1 PC
- C. RIGHT HEADBOARD LEG 1 PC
- D. FOOTBOARD 1 PC
- HEADBOARD HARDWARE BOX*



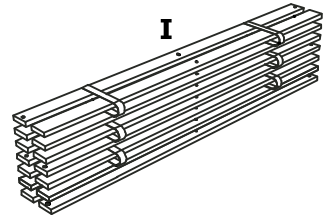
BOX #2

- E. LEFT SIDE RAIL 1 PC
- F. RIGHT SIDE RAIL 1 PC
- G. CENTER SLAT 1 PC
- H. SUPPORT LEG 4 PCS
- BED HARDWARE BOX*

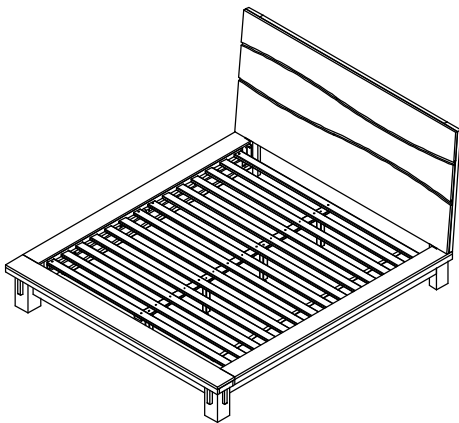


BOX #3

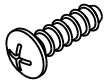


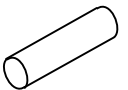

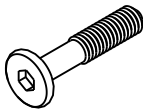
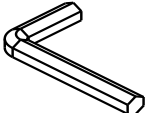
- I. SLAT ROLL 1 SET




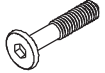
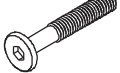
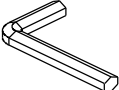
BED ASSEMBLED



BED HARDWARE PACKED IN BOX #2

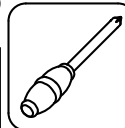
1	PHILLIPS HEAD BOLT(8x20mm)	8	PCS	2	SPRING WASHER (M8)	8	PCS	3	FLAT WASHER (M8)	8	PCS	4	METAL PIN (8x40mm)	2	PCS
															
5	WOOD SCREW (8x30mm)	9	PCS	6	ALLEN BOLT (6x40mm)	11	PCS	7	ALLEN KEY	1	PC				
															

HEADBOARD HARDWARE PACKED IN BOX #1

1	ALLEN BOLT (6x35mm)	2	PCS	2	ALLEN BOLT (6x55mm)	2	PCS	3	ALLEN BOLT (6x70mm)	2	PCS	4	ALLEN KEY	1	PC
															

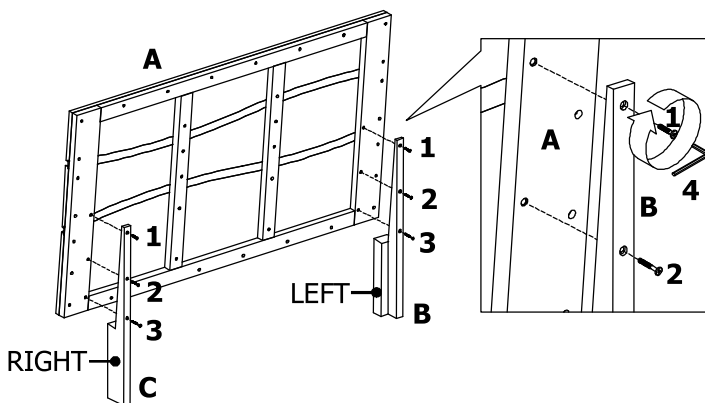
TOOL REQUIRED : PHILLIPS HEAD SCREWDRIVER (NOT PROVIDED)

YOUR BOX MAY CONTAIN EXTRA HARDWARE



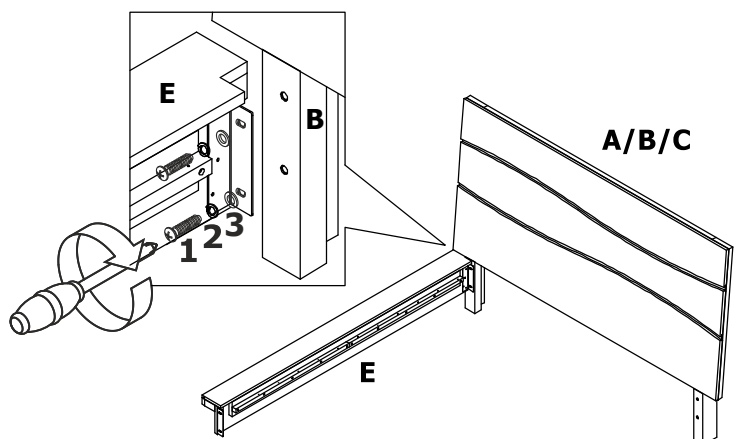
STEP 1 :

***USE HEADBOARD HARDWARE FROM BOX #1 FOR STEP 1.**

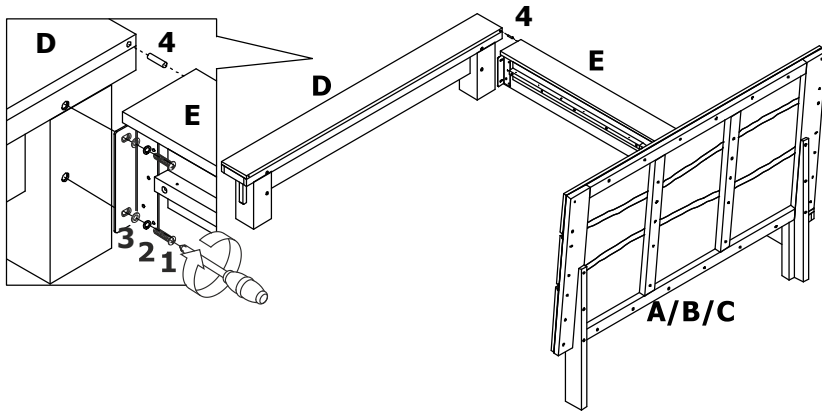


STEP 2 :

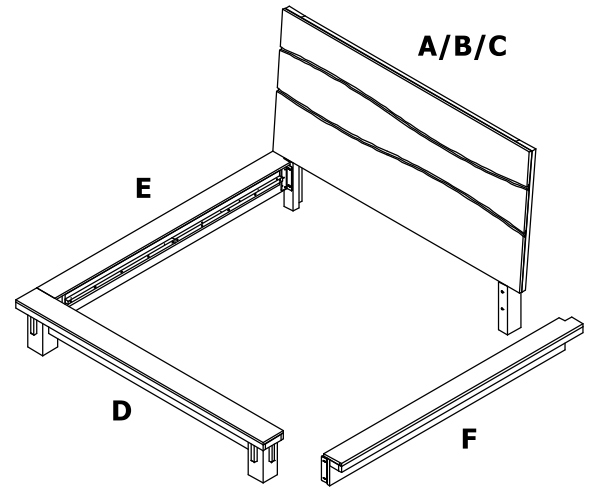
***USE BED HARDWARE FROM BOX #2 FOR THIS, AND ALL REMAINING STEPS.**



STEP 3 :



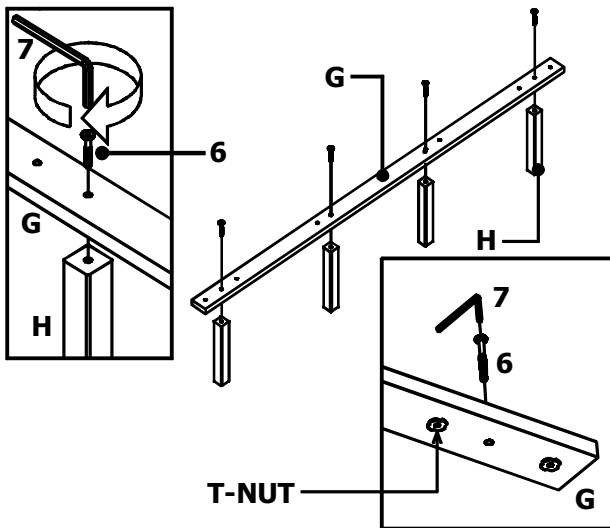
STEP 4 :



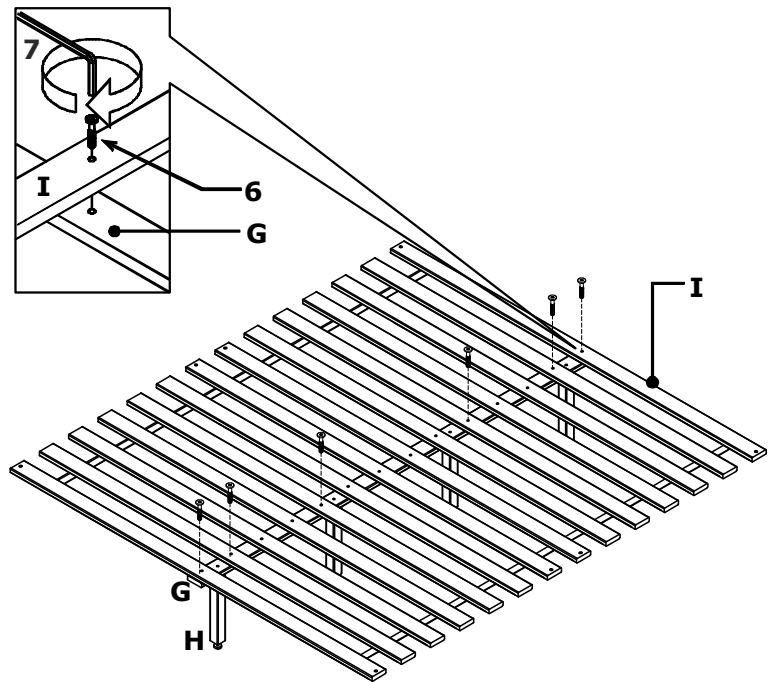
STOP

- IF USING BED FRAME WITH ADJUSTABLE MATTRESS BASE, SKIP TO APPENDIX A: ADJUSTABLE MATTRESS BASE ASSEMBLY SUPPLEMENT.
- IF USING BED FRAME WITH STANDARD BOX SPRING OR FOUNDATION CONTINUE TO STEP 5.

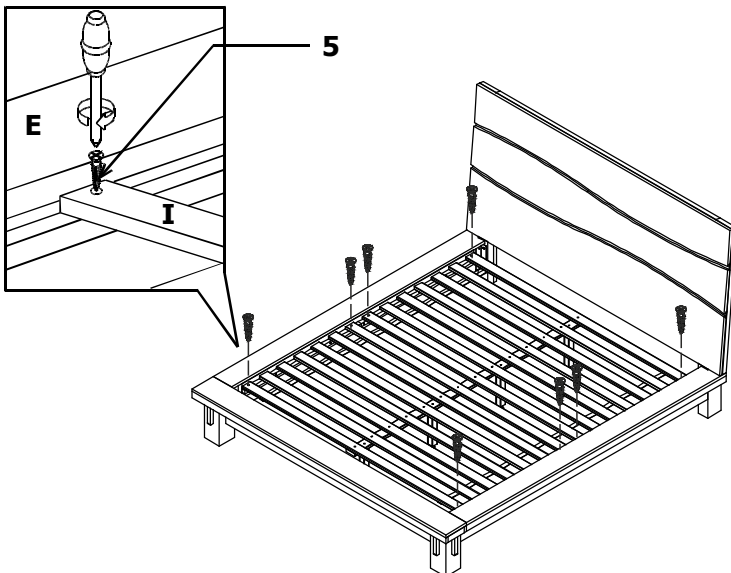
STEP 5 :



STEP 6 :



STEP 7 :

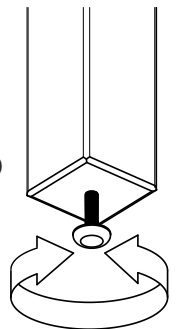


INSTRUCTIONS FOR ADJUSTING LEVELERS:

POSITION THE BED IN YOUR ROOM. LOCATE LEVELERS UNDER EACH SUPPORT LEG (H).

TURN LEVELERS COUNTER-CLOCKWISE TO EXTEND, CLOCKWISE TO RETRACT.

ADJUST LEVELERS UNTIL EACH SUPPORT LEG IS APPLYING EQUAL UPWARD PRESSURE ON THE CENTER SLAT.



MAINTENANCE INSTRUCTIONS:

- REMOVE BOX SPRING AND MATTRESS BEFORE MOVING YOUR BED.
- LIFT YOUR BED WHEN MOVING IT. DRAGGING CAN DAMAGE THE SUPPORT LEG.
- READJUST LEVELERS AFTER MOVING YOUR BED.

C-KING BED

ADJUSTABLE MATTRESS BASE ASSEMBLY SUPPLEMENT

AN ADJUSTABLE MATTRESS BASE IS A FREESTANDING MATTRESS SUPPORT THAT SITS WITHIN THE PERIMETER OF THE BED FRAME.

IF USING THIS BED FRAME WITH A STANDARD BOX SPRING OR FOUNDATION THESE INSTRUCTIONS DO NOT APPLY.

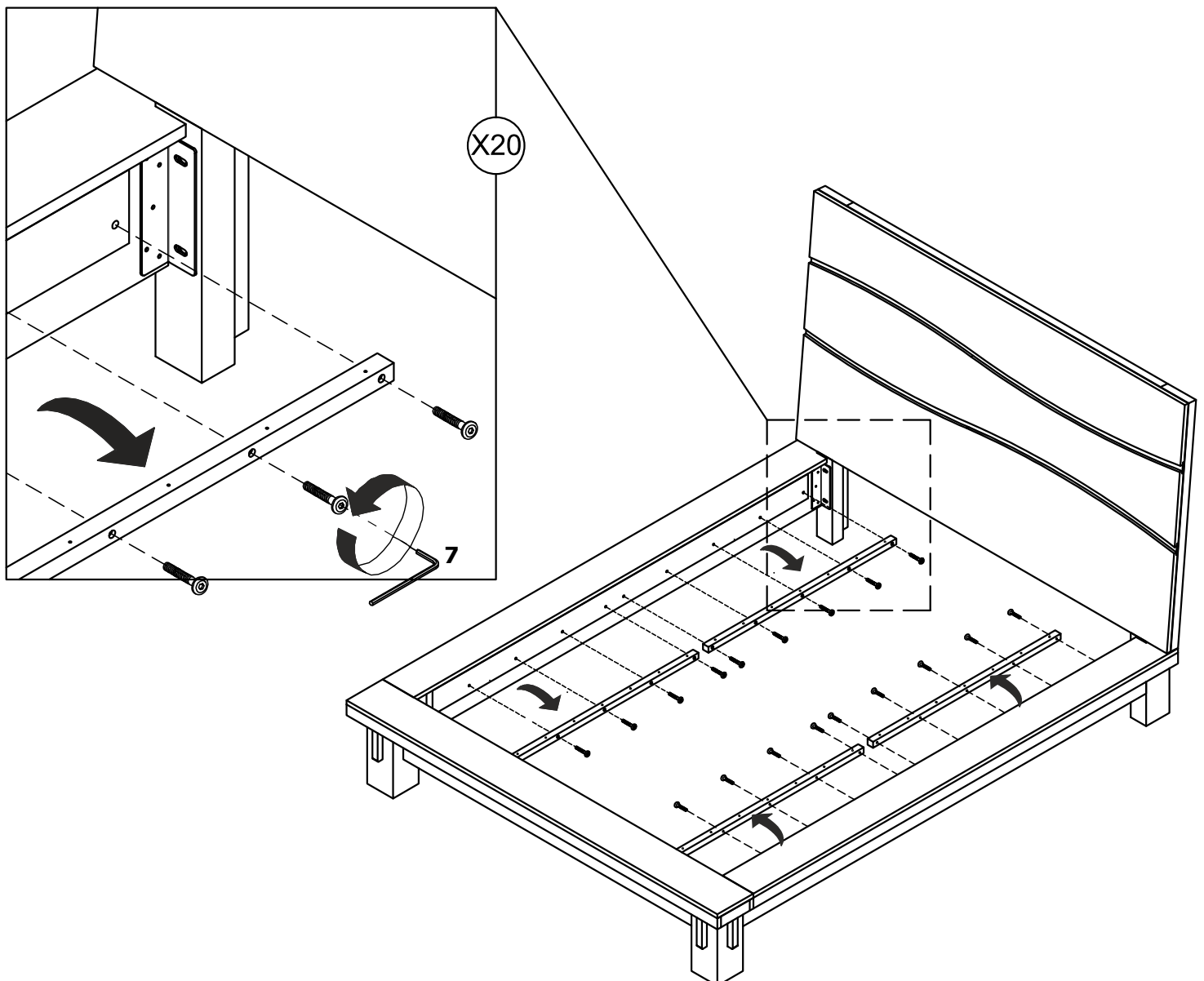
PRE-ASSEMBLED SIDE RAIL CLEATS OBSTRUCT ADJUSTABLE BASE INSTALLATION AND OPERATION. FOLLOW THESE INSTRUCTIONS TO REMOVE THEM.

THE FOLLOWING PARTS ARE NOT REQUIRED FOR ADJUSTABLE MATTRESS BASE INSTALLATION:

G. CENTER SLAT	1 PC	5. WOOD SCREW (8x30mm)	9 PCS
H. SUPPORT LEG	4 PCS	6. ALLEN BOLT (6x40mm)	11 PCS
I. SLAT ROLL	1 SET		

STEP 1 :

USE ALLEN KEY (7) TO UNSCREW ALLEN BOLTS AND REMOVE PRE-ASSEMBLED SIDE RAIL CLEATS.



NOTE: YOU MAY WISH TO RETAIN UNUSED PARTS IF IN THE FUTURE YOU INTEND TO USE THE BED FRAME WITH A STANDARD BOX SPRING OR FOUNDATION.