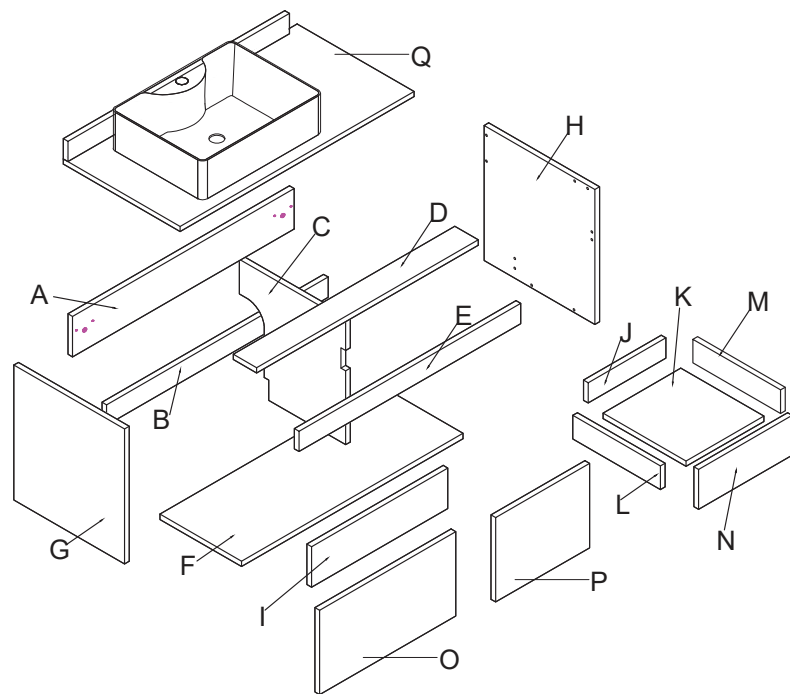
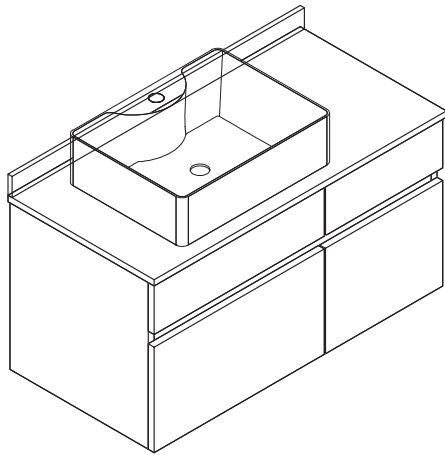


# Installation & Assembly



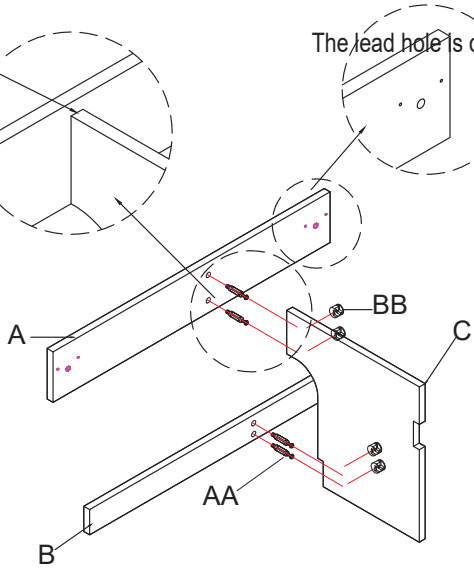


AA  x4

BB  x4

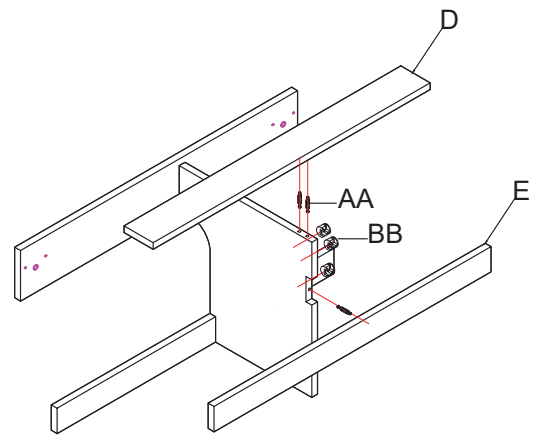
Non uniform

The lead hole is on top

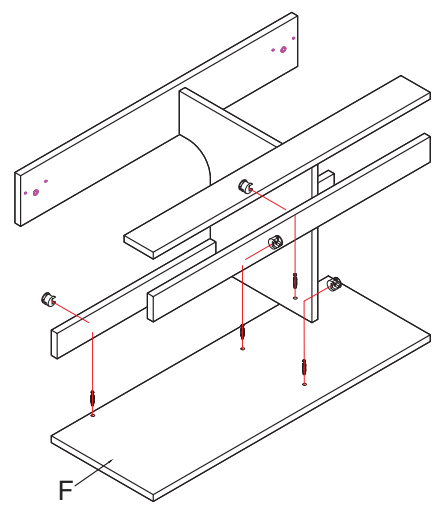




AA  x3

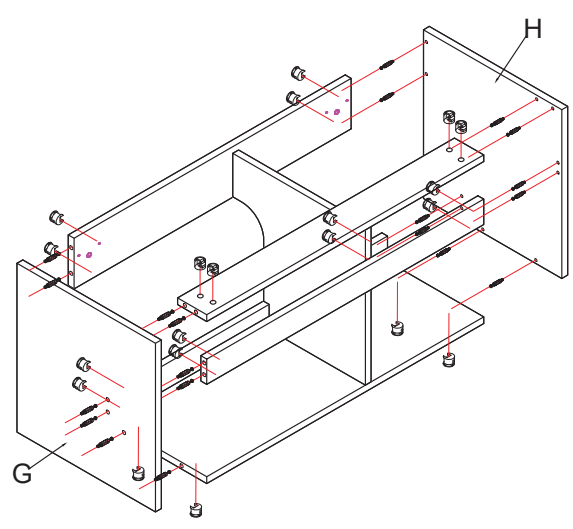
BB  x3





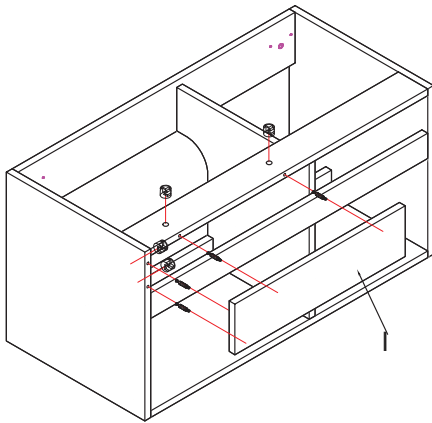
- AA  x4
- BB  x4



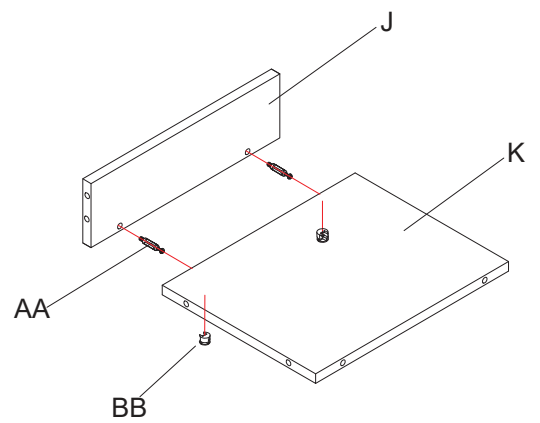
- AA  x20
- BB  x20





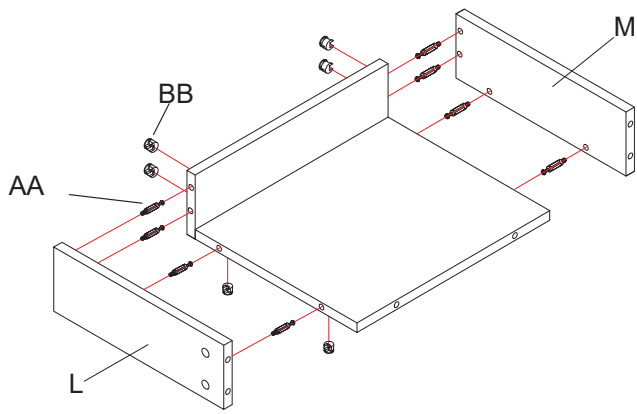
- AA  x4
- BB  x4



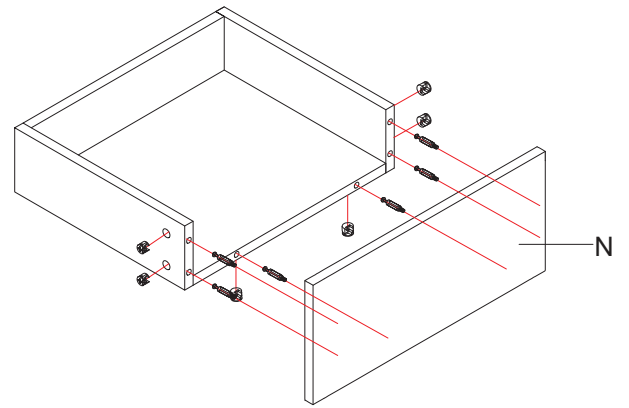
- AA  x2
- BB  x2



- AA  x8
- BB  x8



- AA  x6
- BB  x6

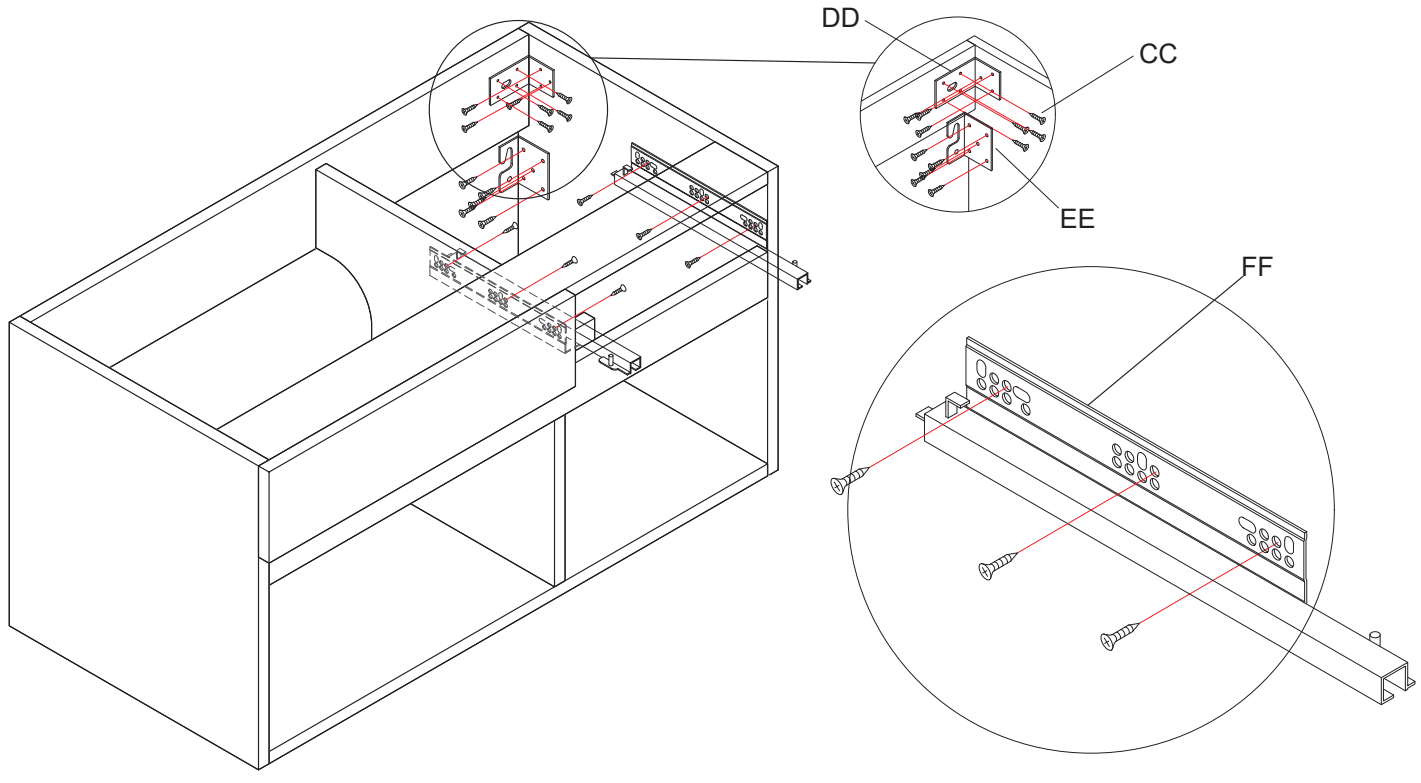


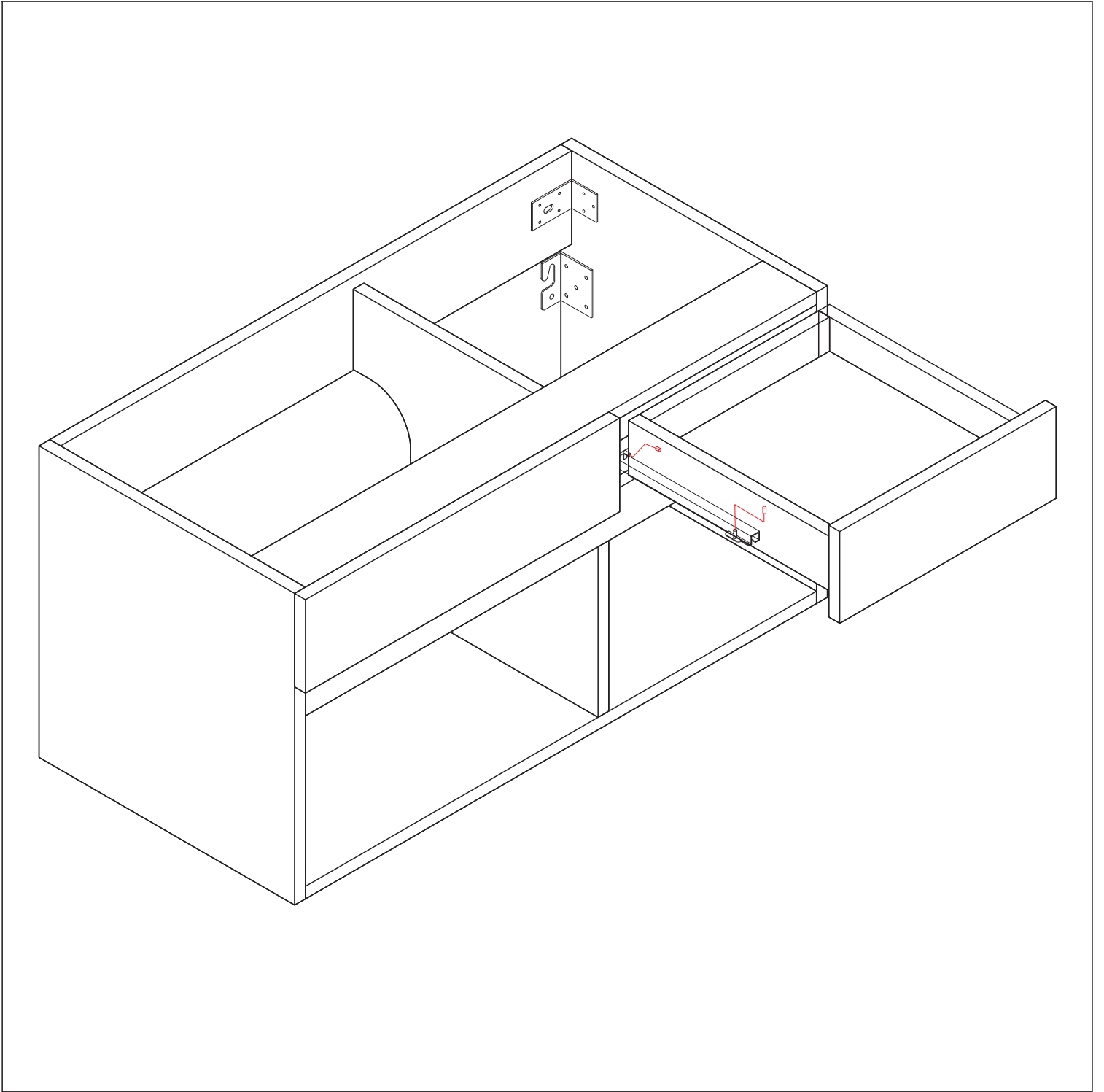
CC  x30

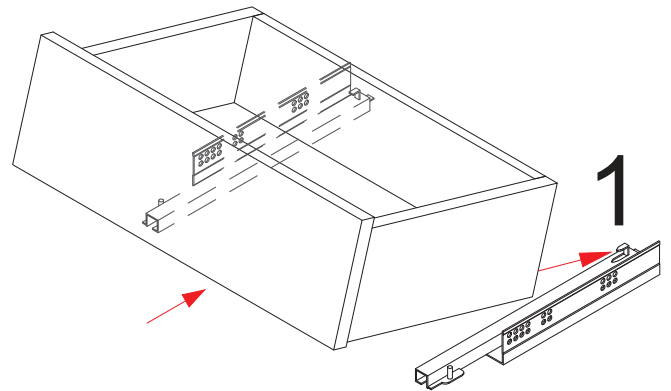
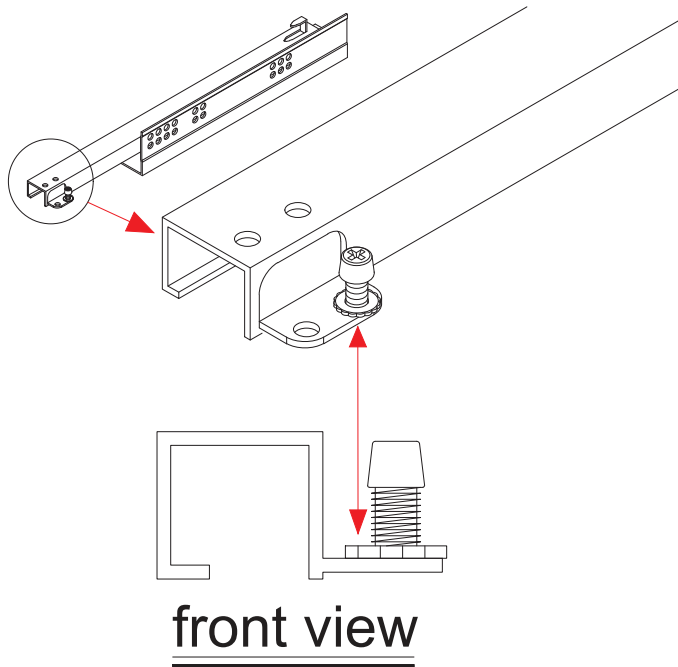
DD  x2

EE  x2

FF  x1

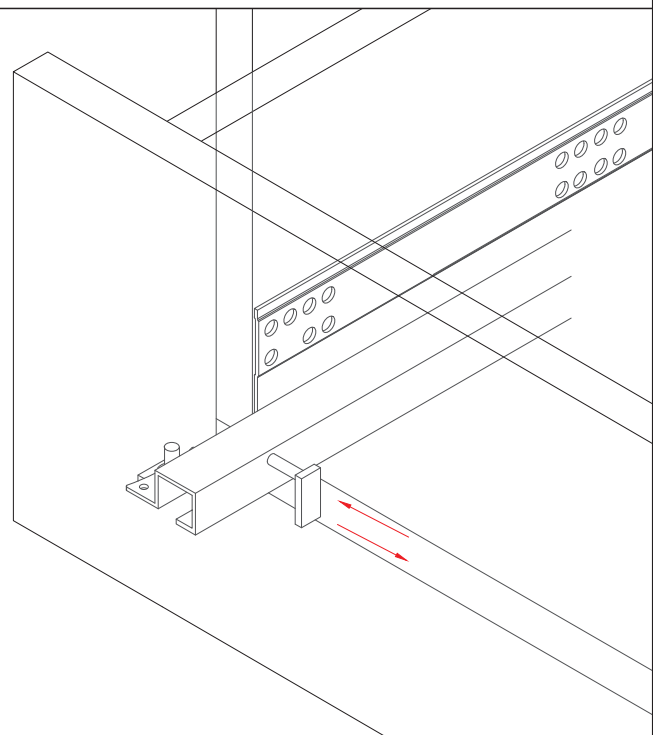
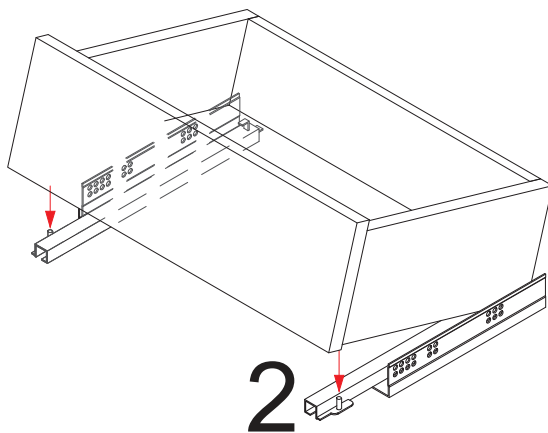









1. Check that the nut is screwed to the bottom.

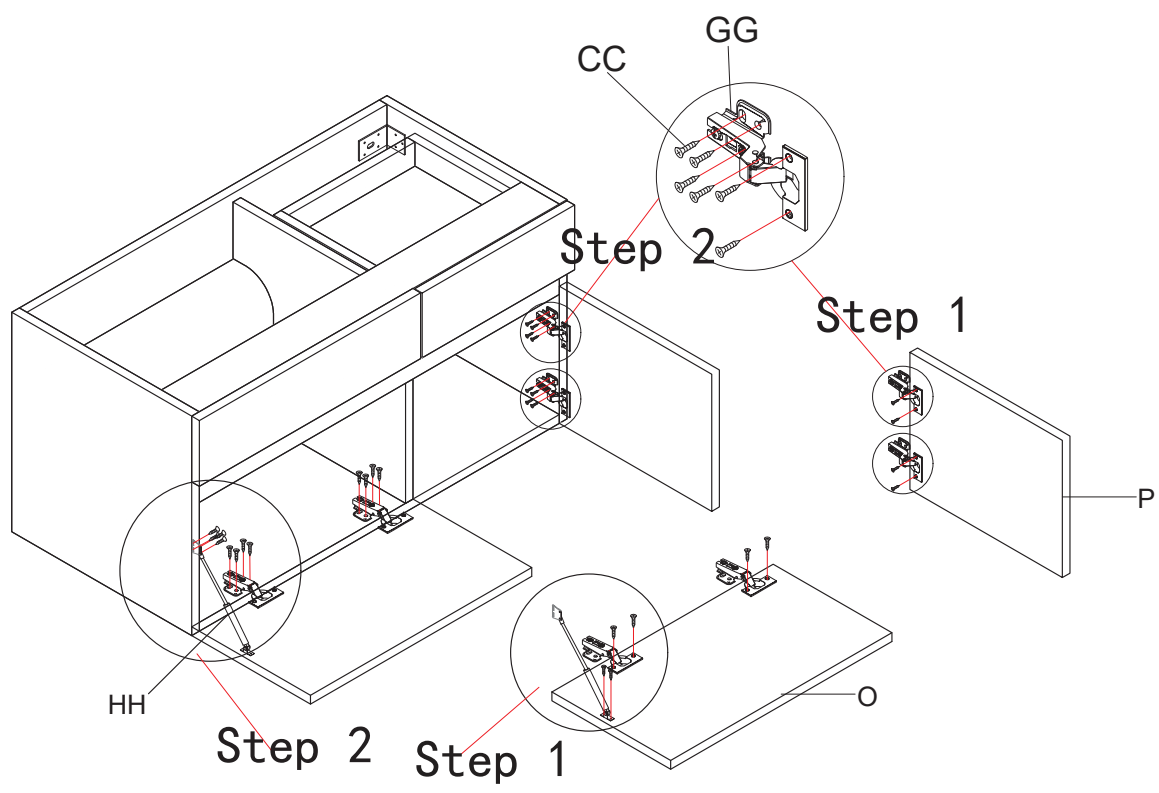
2. Tilt the drawer down, and slide the drawer inside along the rails.








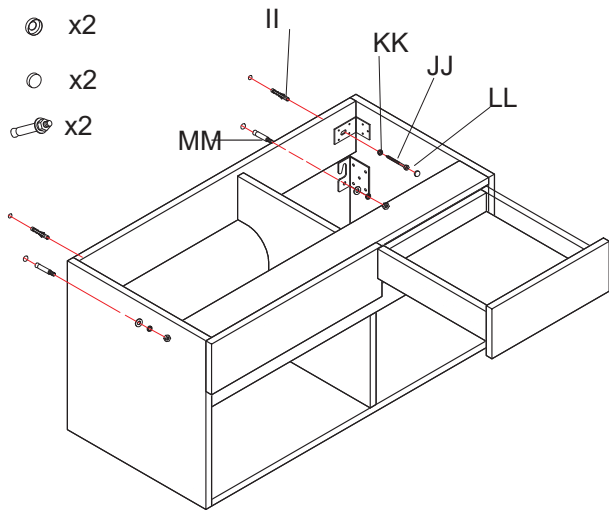
3. Put the drawer down naturally.



4. Push to lock  
Pull to unlock

- CC  x30
- GG  x4
- HH  x1



- II  x2
- JJ  x2
- KK  x2
- LL  x2
- MM  x2



- NN  x4
- OO  x1

