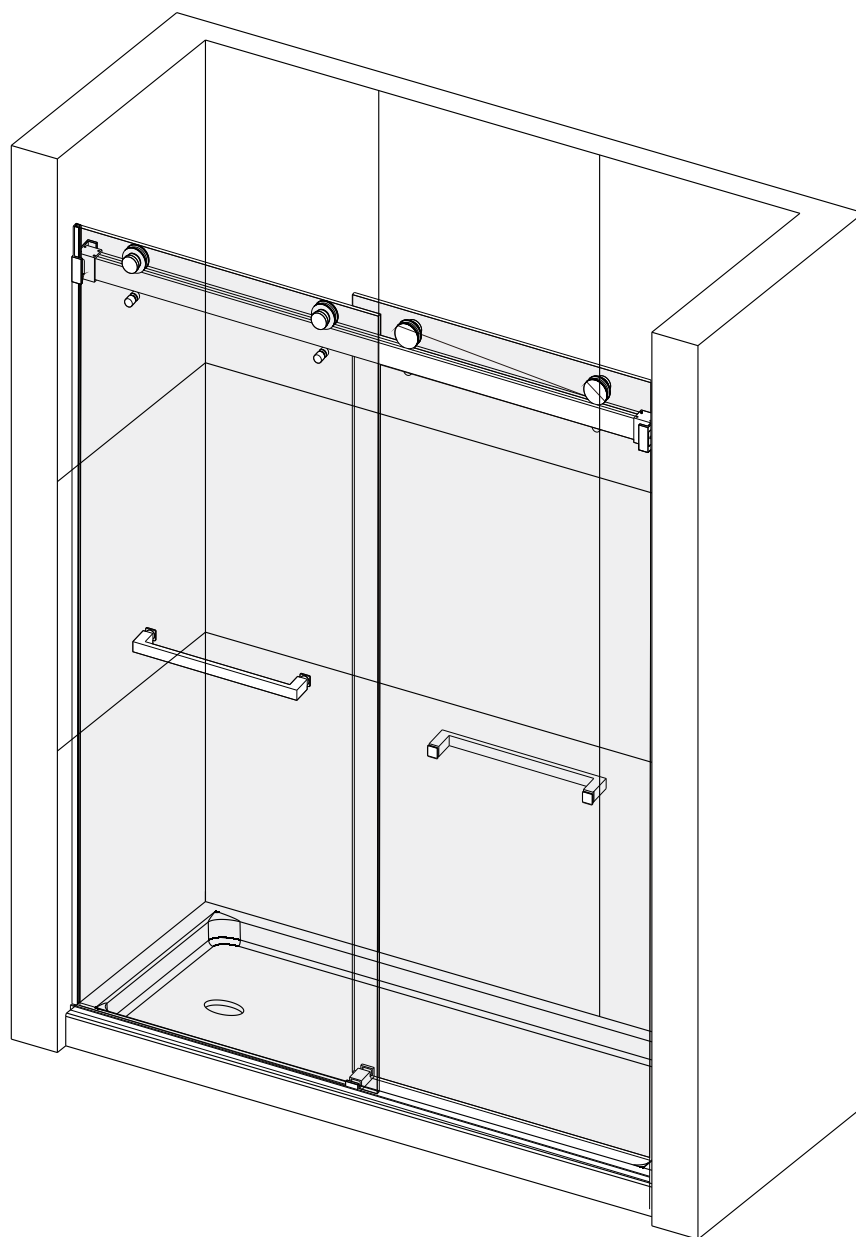


# INSTRUCTION MANUAL



Installation Video



As-2008series



**2 PEOPLE REQUIRED**

# Preparation

## 1. Check Your Package

Before installation, inspect all boxes and packages for shipping damage and ensure all pieces match the packing list. Open all boxes and read the instructions carefully. Verify that all required parts are included using the "**Detailed Diagram of Packing List.**"

- If you find any damage, cosmetic defects, or missing parts, contact our customer service within **3 business days** from the delivery date.

Please Note: We cannot replace damaged or missing parts for free after 3 business days or once the product has been installed. If you have any questions, email us at [metabath@outlook.com](mailto:metabath@outlook.com) with your order number, item name, or other proof of purchase to help us locate your order.

## 2. Building Codes & Compliance

If you are unsure whether this product meets **local building codes**, please check with your local authorities. Plumbing and building codes vary by location, and we are **not responsible** for compliance issues. Returns for this reason **will not be accepted**.

## 3. Before Installation

- If installing in a **new construction**, complete all **plumbing and drainage setup** before installing the shower door.
- All plumbing work must be done by a **qualified and licensed plumber** (if required by local codes).

## 4. Surface Preparation

- Ensure that all surfaces are **level and strong** enough to support the unit's total weight.
- Check that walls are **at right angles**—uneven surfaces, rounded corners, or slanted sidewalls can cause installation issues. Some **adjustments and drilling** may be required.

## 5. Glass & Surface Protection

- Protect the product's main surfaces during installation.

- Do not place glass directly on a tile floor. Keep corner protectors on until necessary.
- Always protect the bottom edge and corners of the glass with a piece of wood or cardboard during installation.

## 6. Installation Requirements

- This unit must be installed on a **finished threshold** and against **finished walls**.
- A **minimum of 3 3 / 8 "** of flat threshold space is required for installation.
- **Professional installation is recommended.**
- NOTE: This shower door can be installed for **right-hand or left-hand opening**. The manual uses **right-hand installation** as an example.

## ATTENTION:

- **Safety glass cannot be modified.**
- **Please read all instructions carefully before installation.**
- **Be careful when drilling to avoid hidden pipes or cables.**
- **This product is heavy—two people may be needed for installation.**

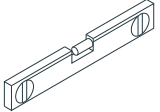
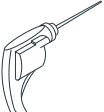
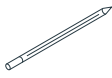

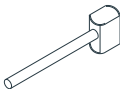

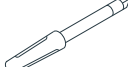

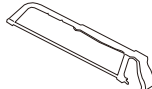

## Post-Care Instructions

**Daily Cleaning:** Rinse the shower door with soap and water after each use. This is especially important in **hard water areas** to prevent mineral buildup.

**Avoid Abrasives:** Do not use rough or gritty cleaners. Be cautious with strong chemicals—when in doubt, check with the cleaner's manufacturer before use.

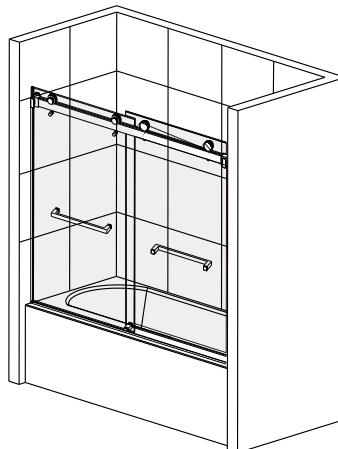
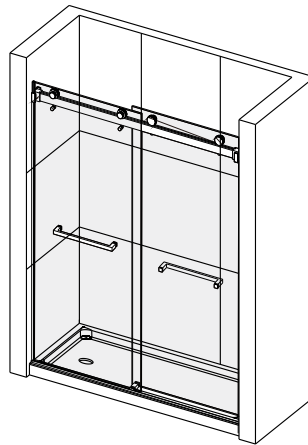
**Keep Instructions:** Store this manual for future reference.

## TOOLS REQUIRED

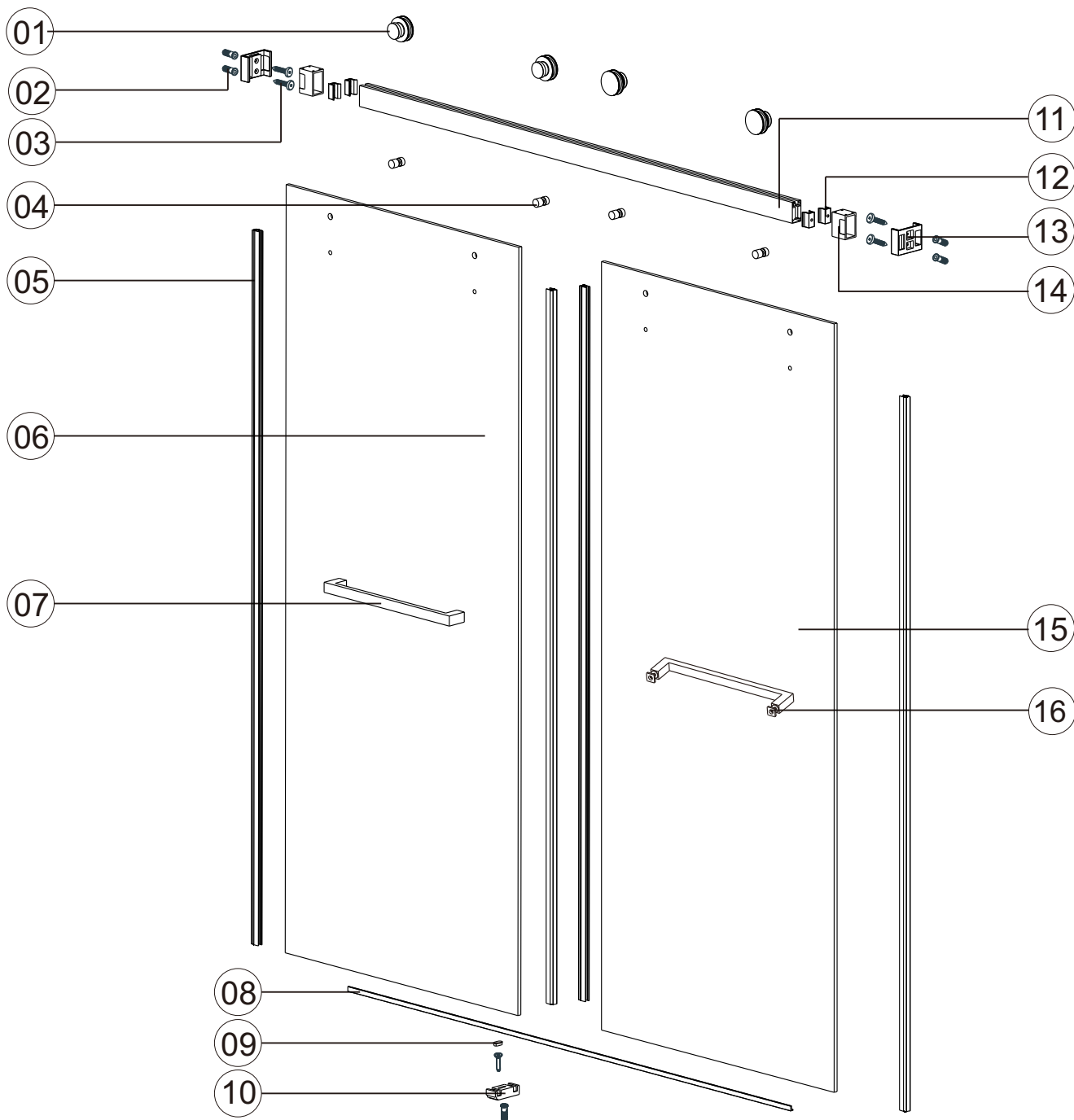
 <b>SPIRIT LEVEL</b>	 <b>POWER DRILL</b>	 <b>PENCIL</b>	 <b>SILICONE</b>	 <b>MALLET</b>
 <b>TAPE MEASURE</b>	 <b>SCREW DRIVER</b>	 <b>6mm&amp;8mm(1/4" &amp; 5/16") DRILL BITS</b>	 <b>HACKSAW</b>	 <b>SAFETY GLASSES</b>





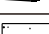




\* Use a 6mm(1/4") drill bit for ceramic when drilling into ceramic tiles





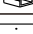


## CHOOSE A CONFIGURATION



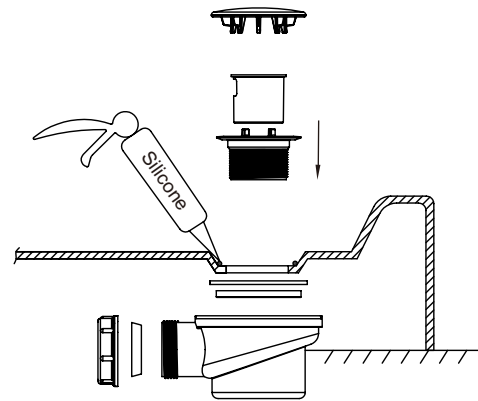
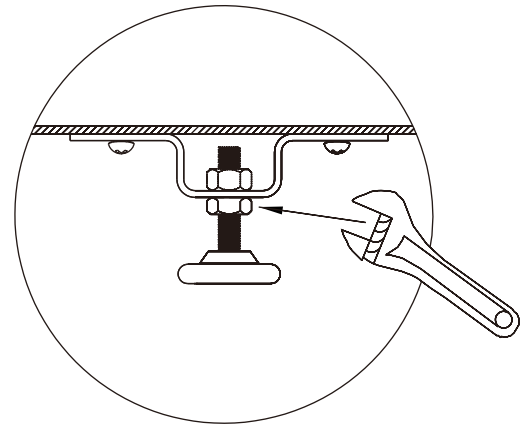
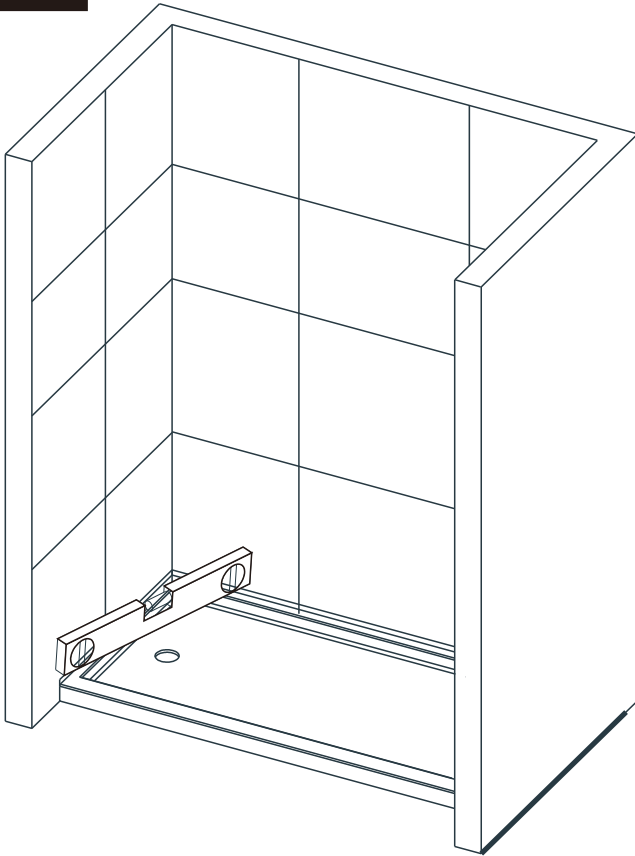
# PARTS LISTING



ITEM	PARTS	DIAGRAM	QTY
1	Roller		4
2	Wall plugs		5
3	Screw St4x30/St5x40		5
4	Anti jumping knob		4
5	Door seal		4
6	Sliding door		1
7	Towel bar		1
8	Anti-splash threshold		1
9	Floor guide cover cap		1

ITEM	PARTS	DIAGRAM	QTY
10	Floor guide		1
11	Rail		1
12	Anti-collision block		4
13	Wall mount bracket		2
14	Guide rail bracket		2
15	Sliding door		1
16	Towel bar		1

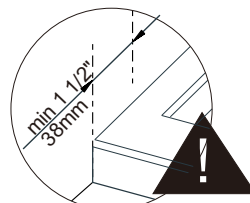
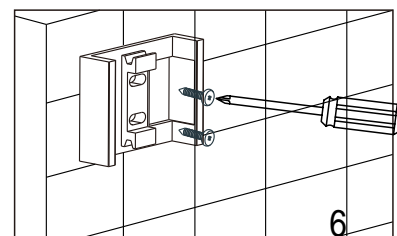
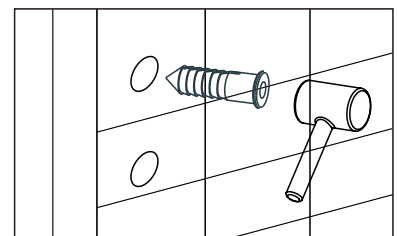
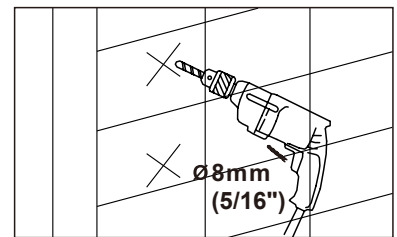
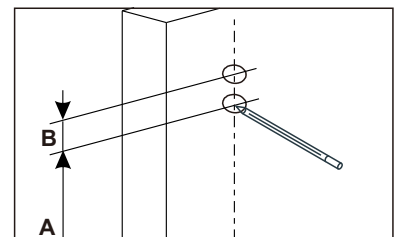
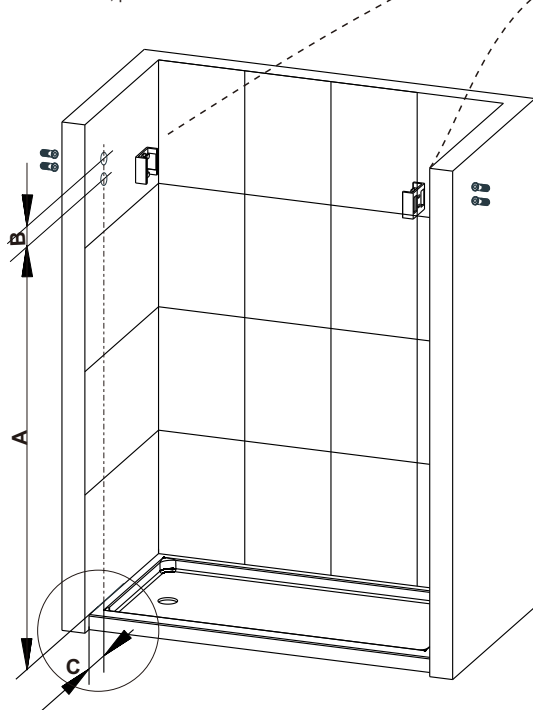
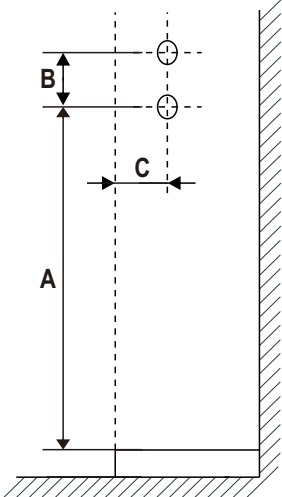
# 1



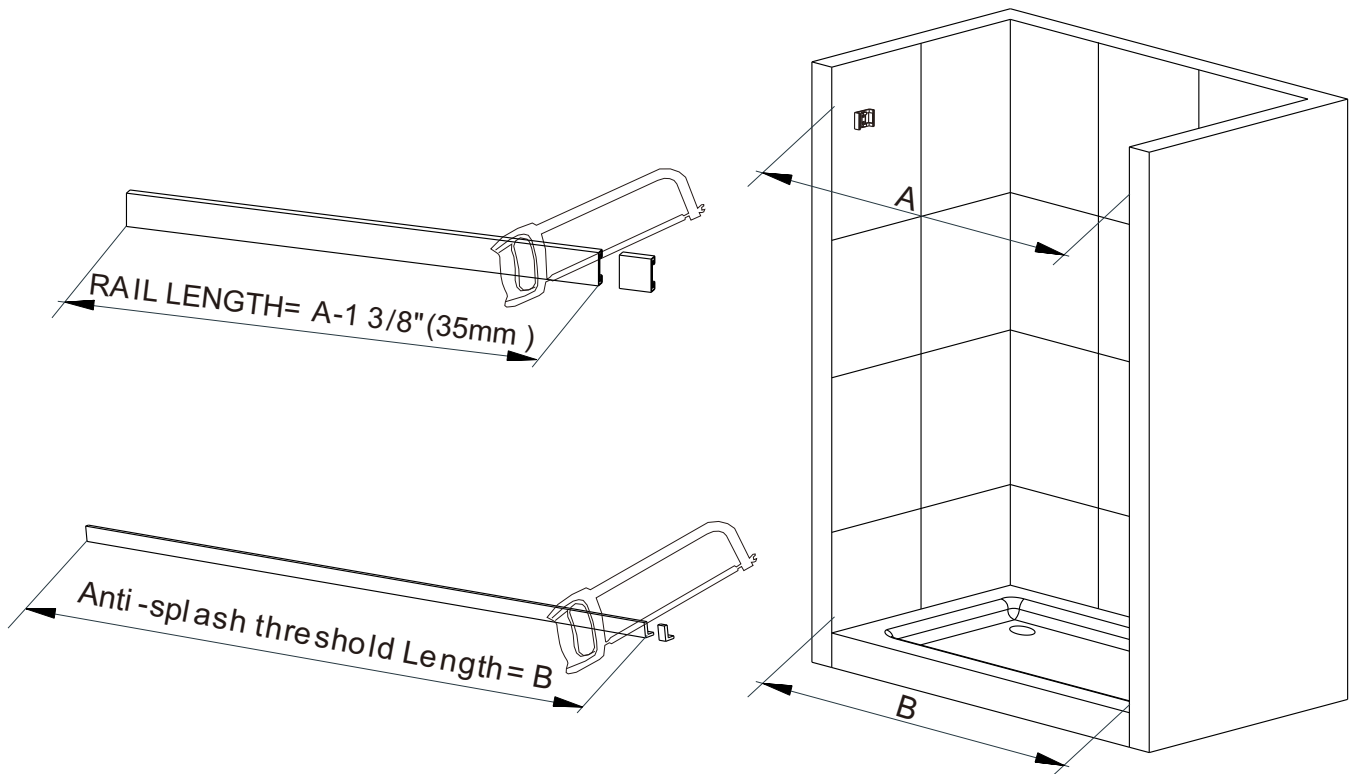
# 2

Product Height	A	B	C
60"(1524mm)	56 1/5"(1428mm)		
66"(1676mm)	62 1/5"(1580mm)		
72"(1828mm)	68 1/5"(1732mm)		
75"(1905mm)	71 1/5"(1809mm)	7/8"(23mm)	1 1/2"(38mm)
76"(1930mm)	72 1/5"(1834mm)		
78"(1981mm)	74 1/5"(1885mm)		
79"(2006mm)	75 1/5"(1910mm)		

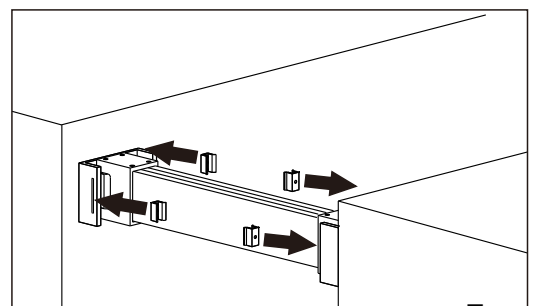
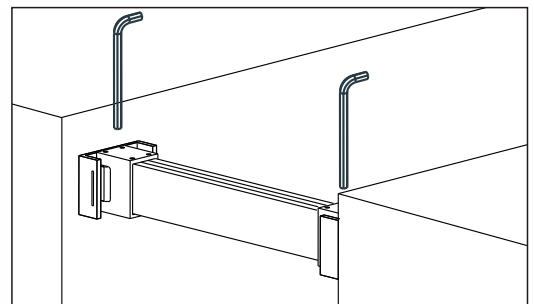
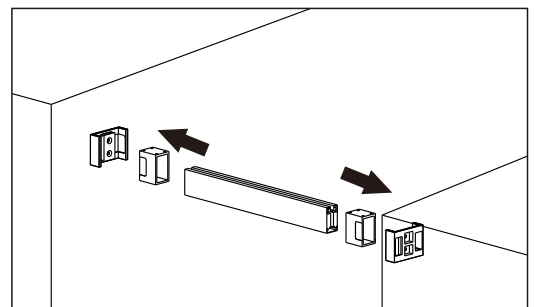
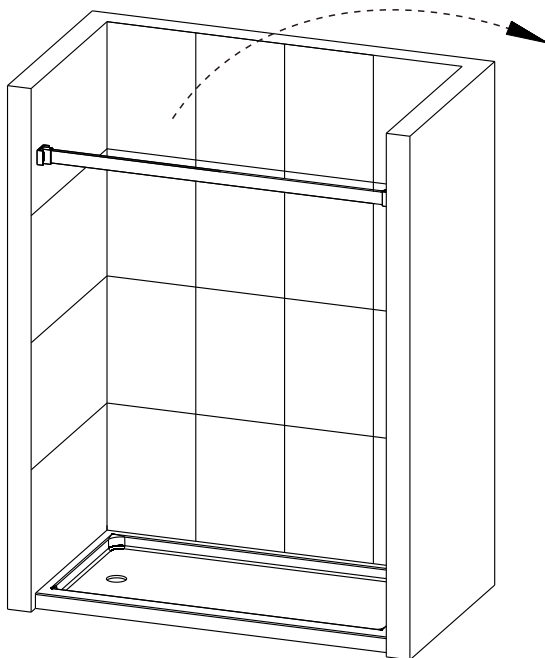
\*A=product height-3 4/5"(96mm)  
 \*Without the size, please contact the local dealer.



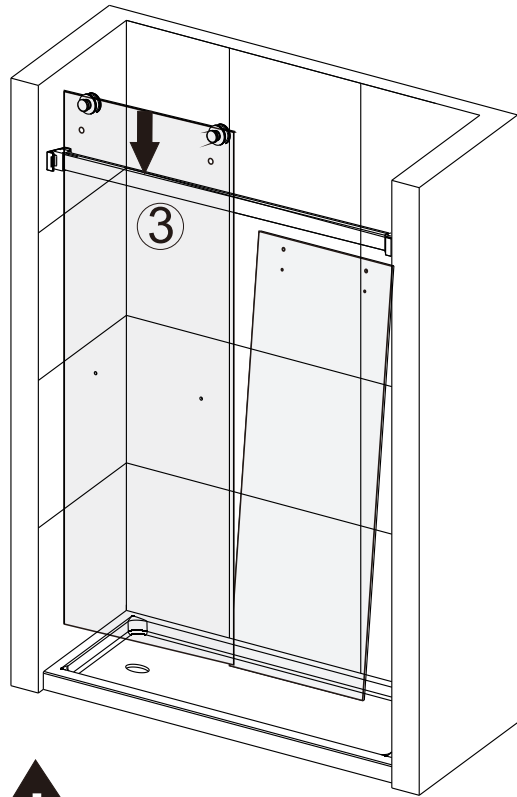
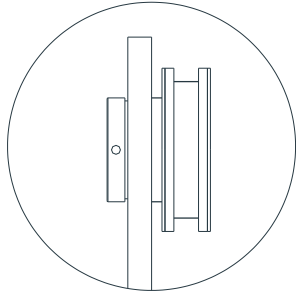
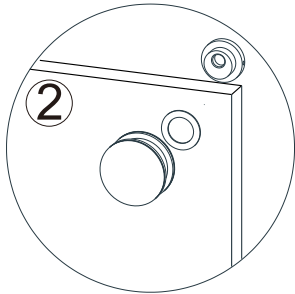
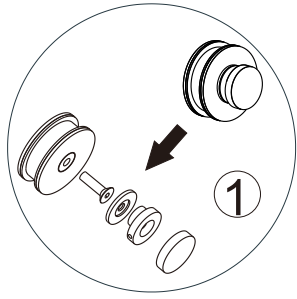
3



4

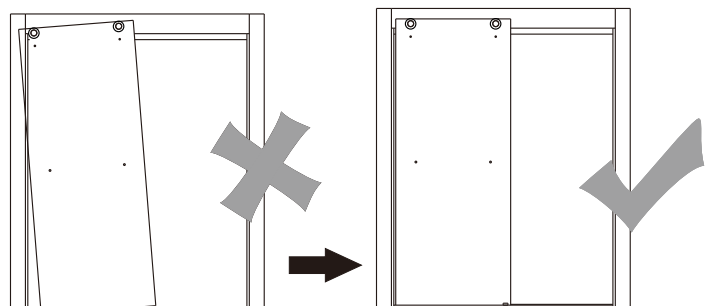
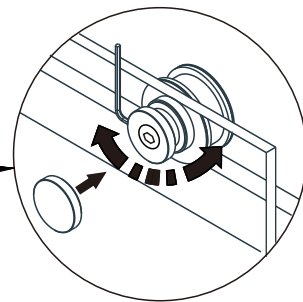
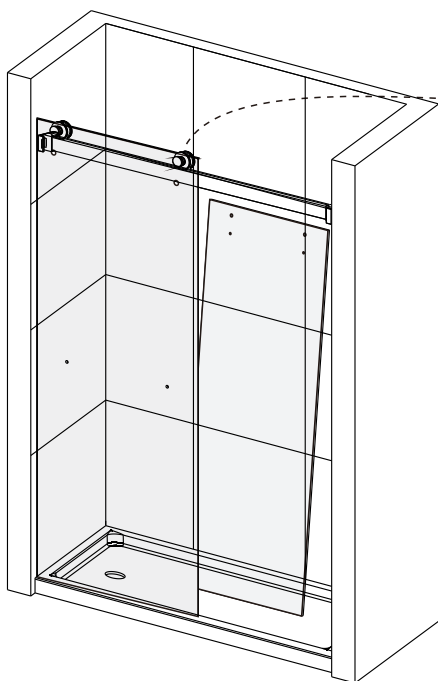


5

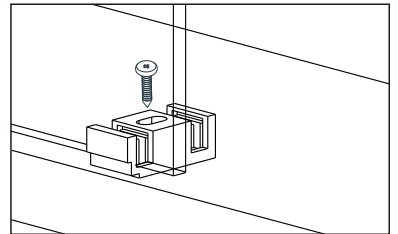
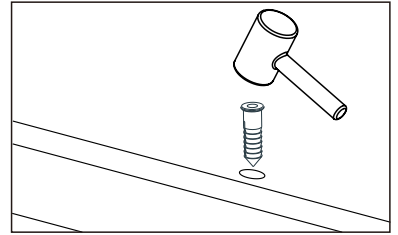
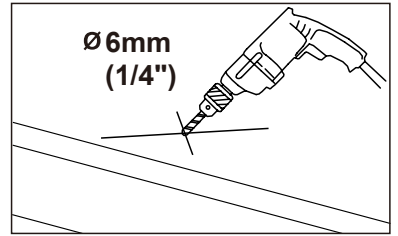
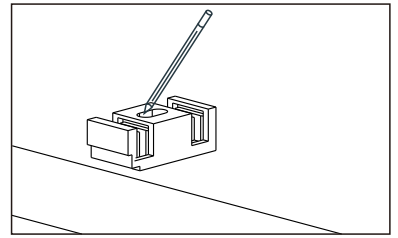
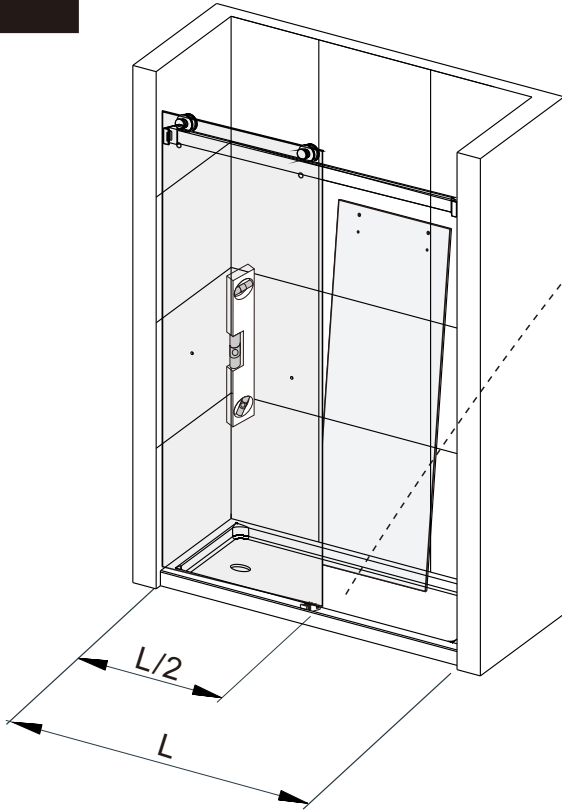


The glass side that treated with easy-cleaning should toward inside

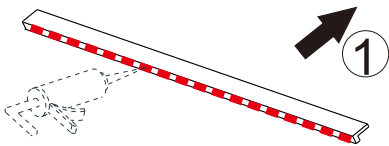
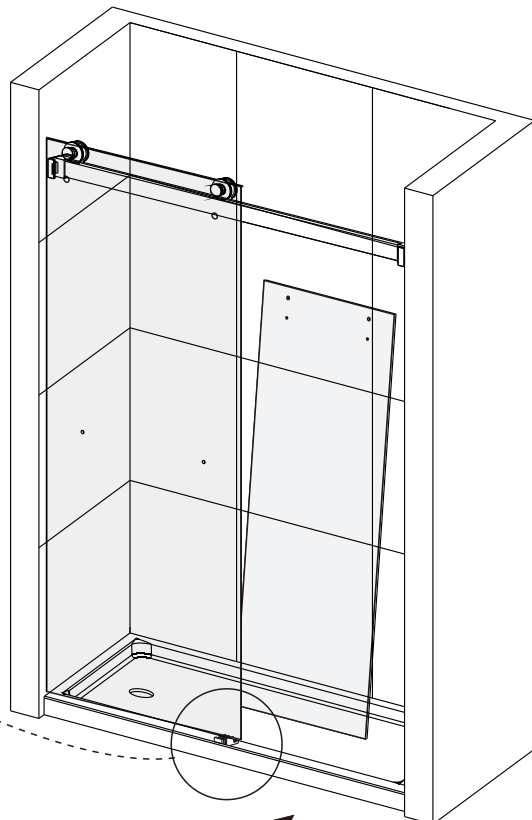
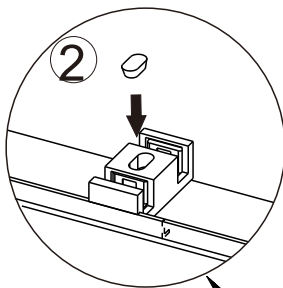
6



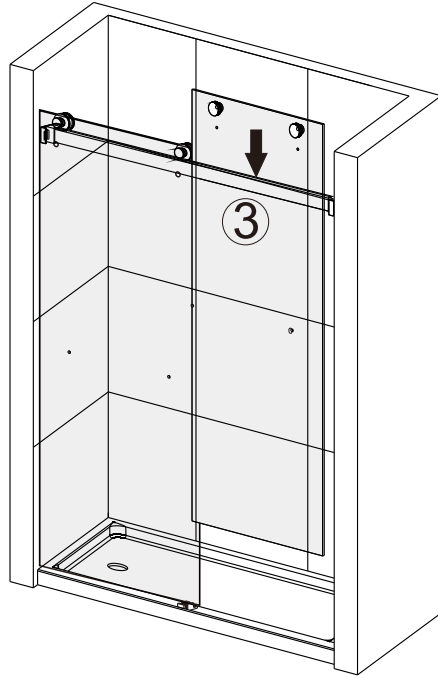
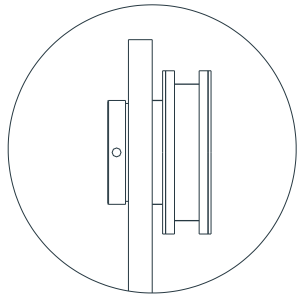
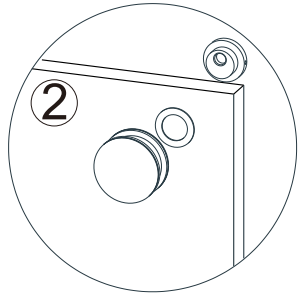
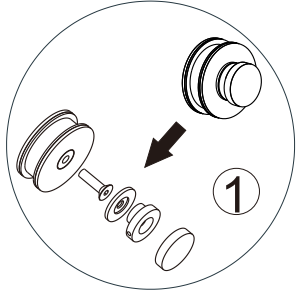
7



8

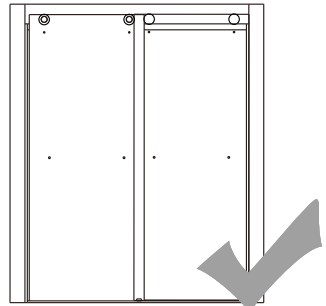
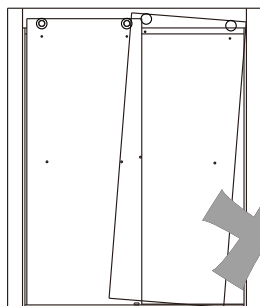
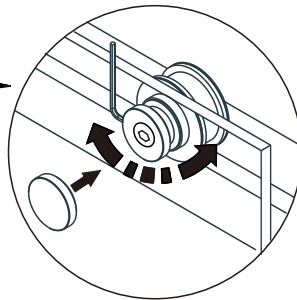
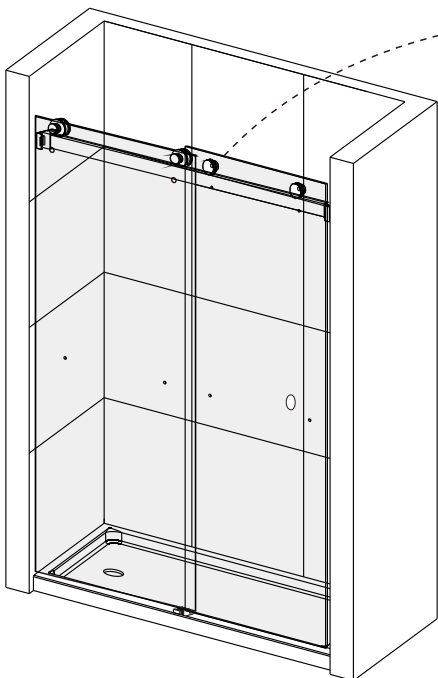


9

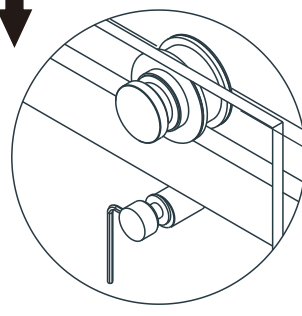
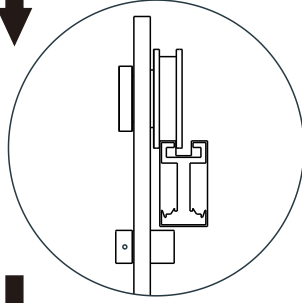
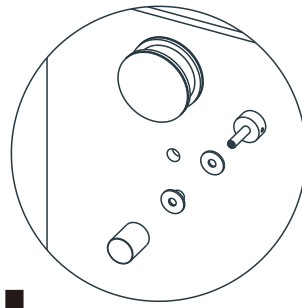
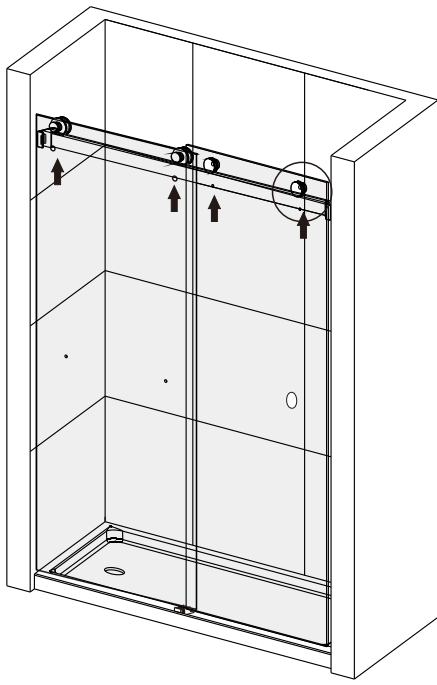


The glass side that treated with easy-cleaning should toward inside

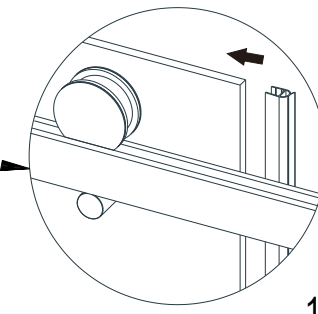
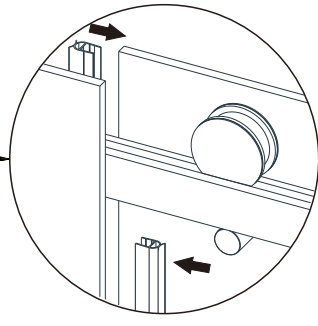
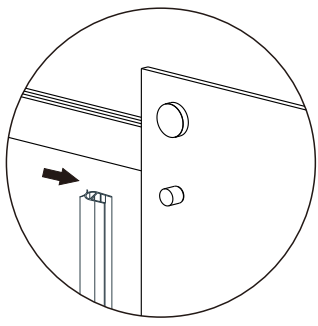
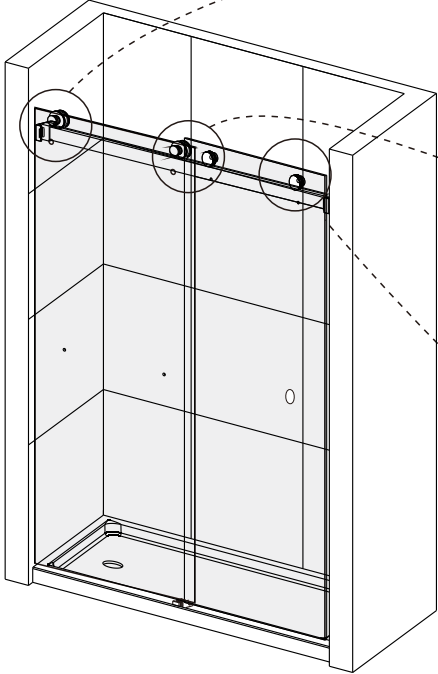
10



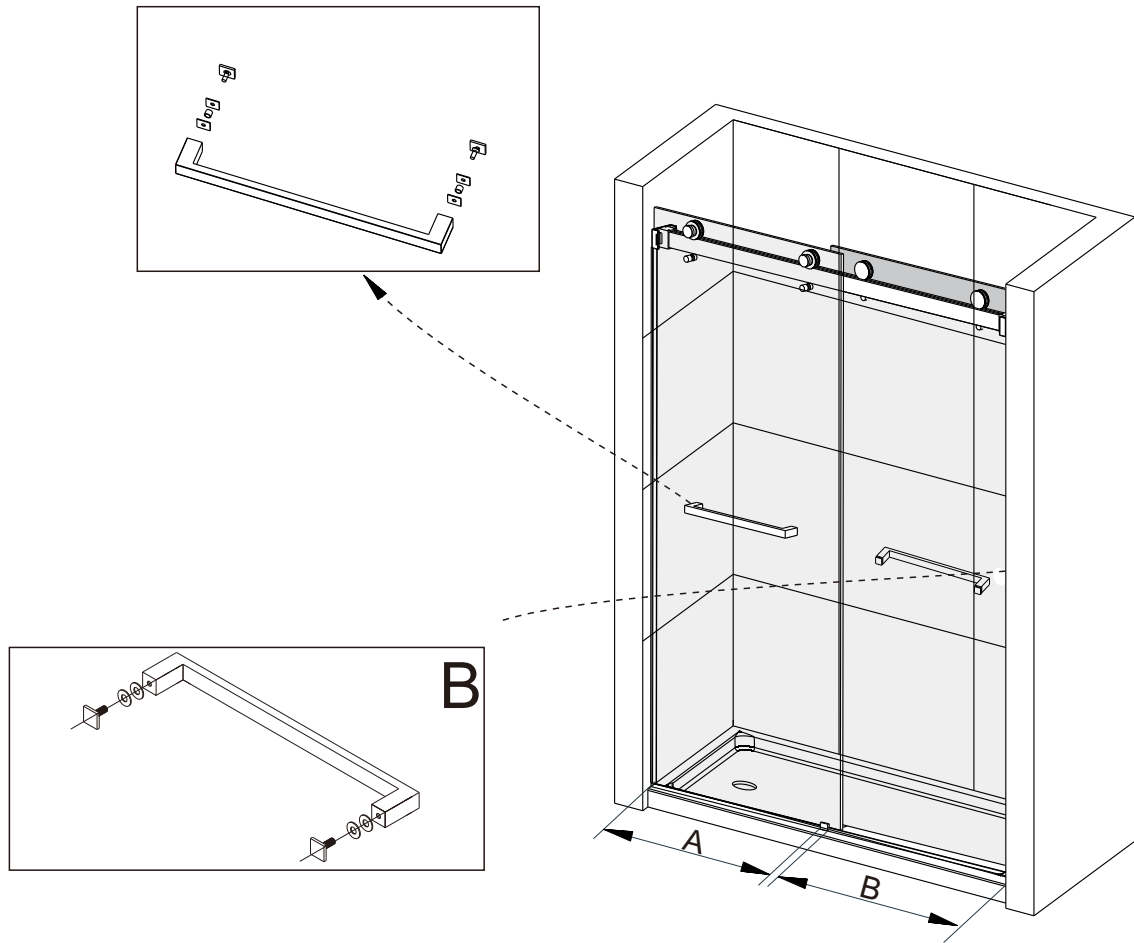
11



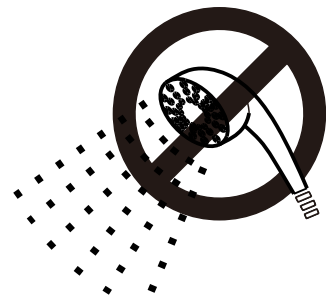
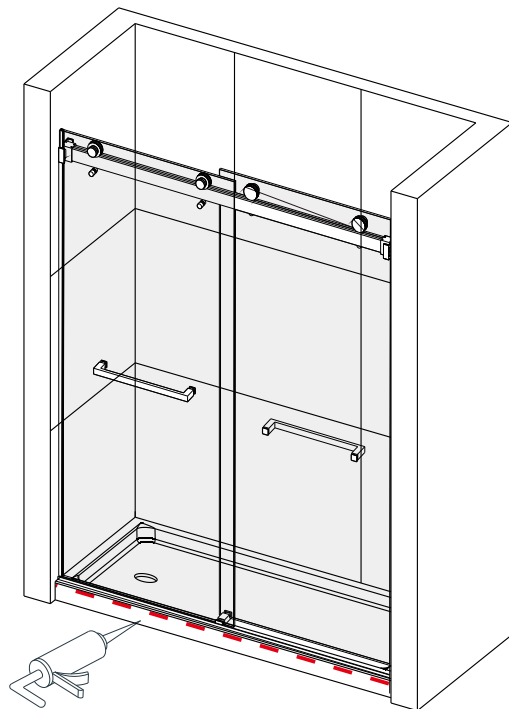
12



13



14



**24** HOURS

# Product Maintenance

## Glass Care

- Wipe the glass with a soft cloth or squeegee after each use to prevent soap buildup and water stains.
- Avoid scratches: Never use abrasive cleaners, scouring agents, or hard-bristle brushes.

## Hardware Care

- After each use: Wipe metal parts with a soft cloth.
- Avoid damage: Do not use cleaners containing ammonia, bleach, or acids. If accidentally used, rinse immediately to prevent surface peeling or corrosion.
- Weekly Cleaning: Clean hardware at least once a week. When applying cleaner, wipe along the grain (not across).
- Do not use: Steel wool, wire brushes, or abrasive sponges that may scratch the surface.

## Regular Inspection

To extend the life of your shower door, please regularly check the glass and hardware for proper alignment, attachment, and signs of damage.

If you need assistance, contact [metabath@outlook.com](mailto:metabath@outlook.com) with the following:

- 1. Order number**
- 2. Description of the issue**
- 3. Who installed it? Installer or yourself?**
- 4. Photos or videos of the issue**
- 5. For replacement parts: Mark the needed part on page 5 and send us a photo.**
- 6. Your shipping details (address & phone number If a replacement is needed).**

We will respond as soon as possible with a solution.