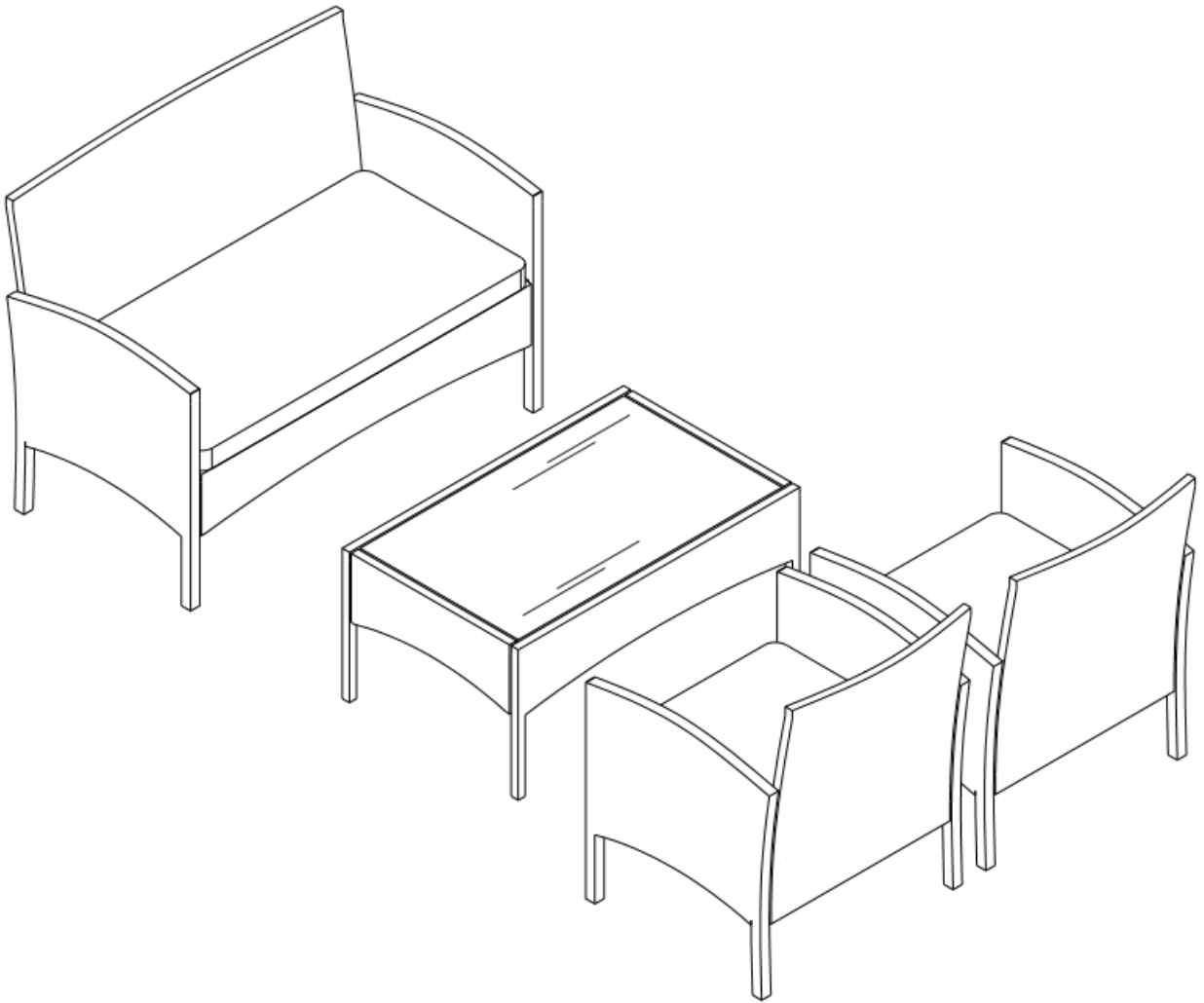


4 pc Seating Set



Safety Information

SET UP YOUR FURNITURE PROPERLY

Ensure that all parts are assembled properly and fully tightened as per the instructions. When placing in the desired location, ensure that all legs are resting on the same surface.



CAUTION: Read all of the instructions in this manual before you begin assembly. Failure to do so may result in faulty assembly and potential injury!

EXAMINE YOUR FURNITURE

Examine occasionally to ensure that there are no loose parts. If loose parts are found, they must be retightened fully before additional use.

Warranty

1 YEAR WARRANTY FOR FRAME WICKER AND CUSHION.

WHAT IS COVERED

We warrant the frame to be free of manufacturing defects to the original purchaser for 1 year

WHAT IS NOT COVERED

- It remains the customer's responsibility for freight and packaging charges to and from our service center.
- This warranty does not cover commercial use, hardware, acts of nature, fire, freezing and abusive use.
- Discoloration or fading of the finish or fabrics as a result of chemicals or spills is not covered.
- Glass table top breakage and corrosion or rusting of hardware are not covered.
- In addition, purchase parts are not covered under this warranty.

Care and Maintenance

- Do not allow water to build up in frames. This will cause corrosion and possible freezing damage in cold climates.
- Use a mild soap and water for normal cleaning. DO NOT use janitorial or alcohol based cleaners. Some cleaners may be marked as natural, but some ingredients can cause discoloration or have adverse reaction to your finish.
- Rinse with clean water and dry with a soft, absorbent cloth towel.
- Cushions, slings, and/or an umbrella may be cleaned by hand with a solution of soap and water with a clean water rinse. Never machine wash as this will result in shrinking or damage. After cleaning, tip on end and allow to drip dry. Never use a commercial or home dryer to tumble dry fabric goods.
- Treat frames with liquid wax for maximum protection against UV rays and /or salty, damp air.
- Use and operation: To prolong the life of your outdoor furniture, cover when not in use. Store indoors during winter months.

Pre-Assembly

PLANNING ASSEMBLY

PLEASE READ COMPLETE USE AND CARE GUIDE PRIOR TO ASSEMBLY!

Identify all parts packed in the carton against the parts list. Remove all protective materials and place the parts on a nonabrasive surface to avoid scratching. It takes about 30 minutes for 1 person to complete all the assembly.



NOTE: More than one person may be required to complete the assembly of this product.

OBSERVE WEIGHT LIMITS

The recommended weight limit for each item is listed below:

- Chair: 250 lbs
- Loveseat: 400lbs
- Table: 75lbs

HARDWARE INCLUDED



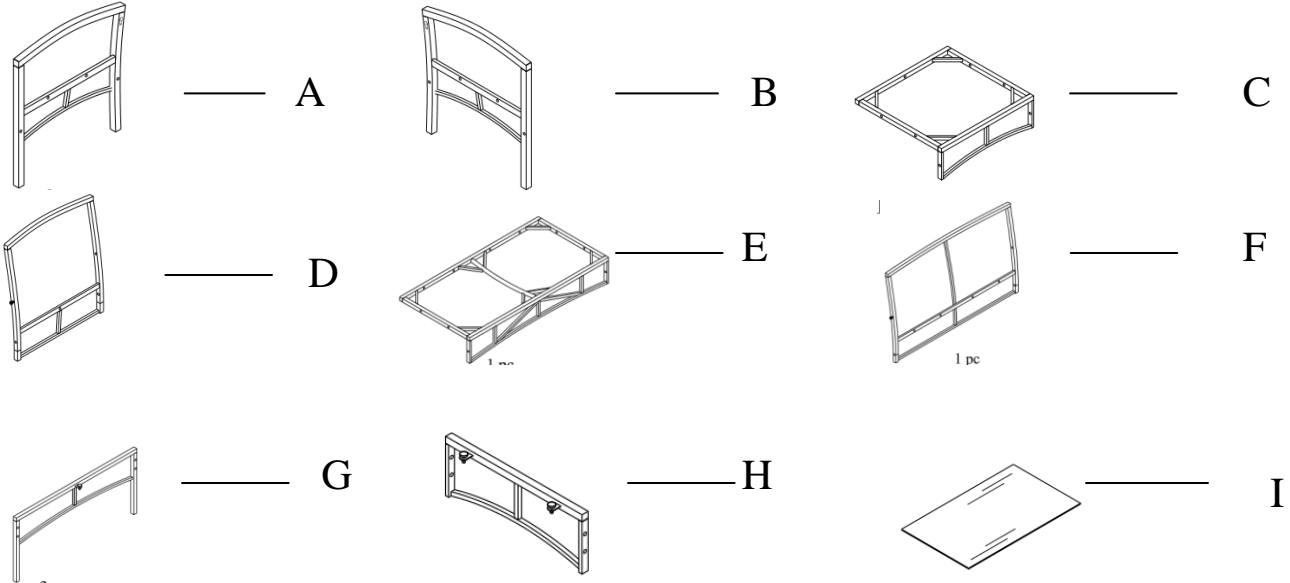
NOTE: Hardware not shown to actual size.



Part	Description	Quantity
1	M6X40mm Bolt	24
2	M6X30mm Bolt	14
3	Allen Wrench	1
4	M6 Washer	38

Pre-Assembly (continued)

PACKAGE CONTENTS



Part	Description	Quantity
A	Right Chair Armrest	3
B	Left Chair Armrest	3
C	Chair Seat	2
D	Chair Back	2
E	Loveseat Seat	1
F	Loveseat Back	1
G	Table Leg Panel	2
H	Table Side Panel	2
I	Glass Top	1



Safety Information



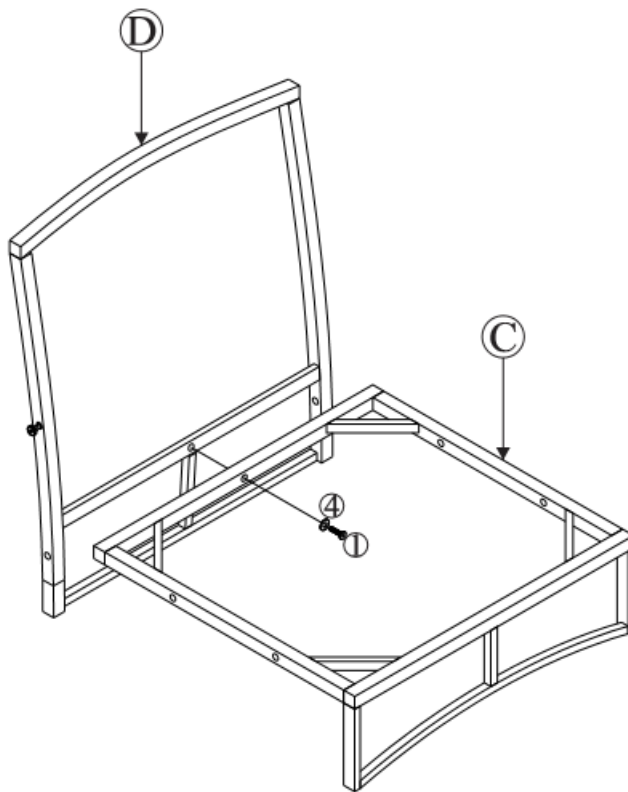
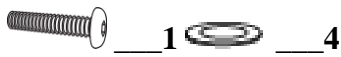
EVERY BOLT NEEDS TO BE USED WITH A WASHER.
DO NOT FULLY TIGHTEN BOLT UNTIL INDICATED IN **STEP 1**.

1 Attaching chair seat to the chair back



NOTE: Do not fully tighten the bolts until all have been positioned per assembly.

- Place chair back (D) on a flat, soft surface
- Attach chair seat (C) to the chair back (D) by using bolt (1) with metal washer (4) through the hole of the chair seat into the chair back (D).



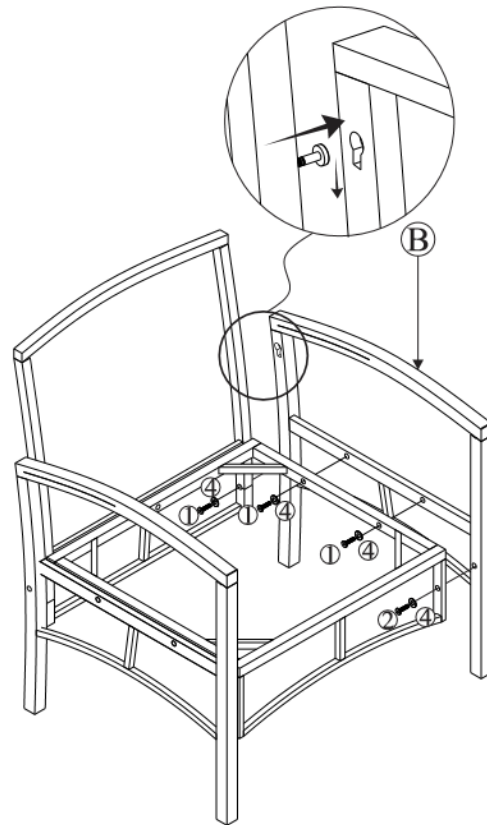
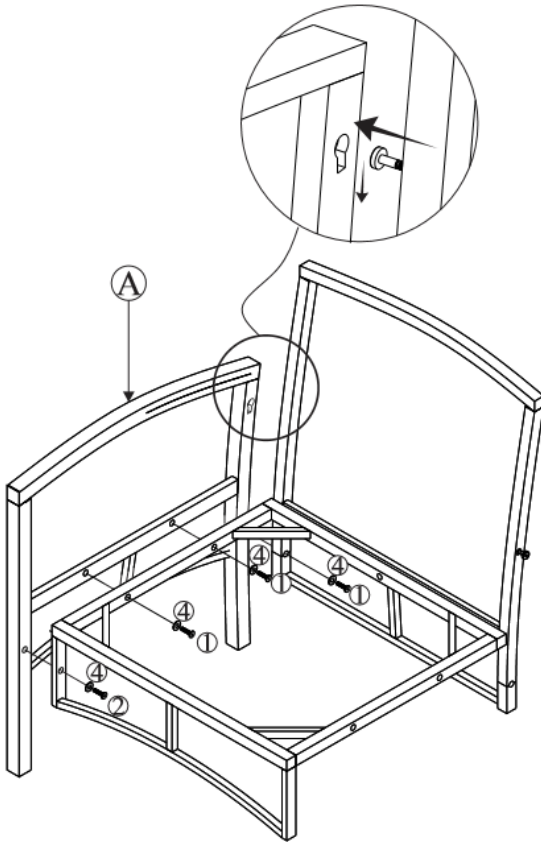
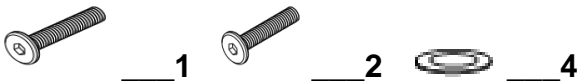
Assembly Instruction

2 Attaching the chair back&seat to the armrest



NOTE: Do not fully tighten the bolts until all have been positioned per assembly.

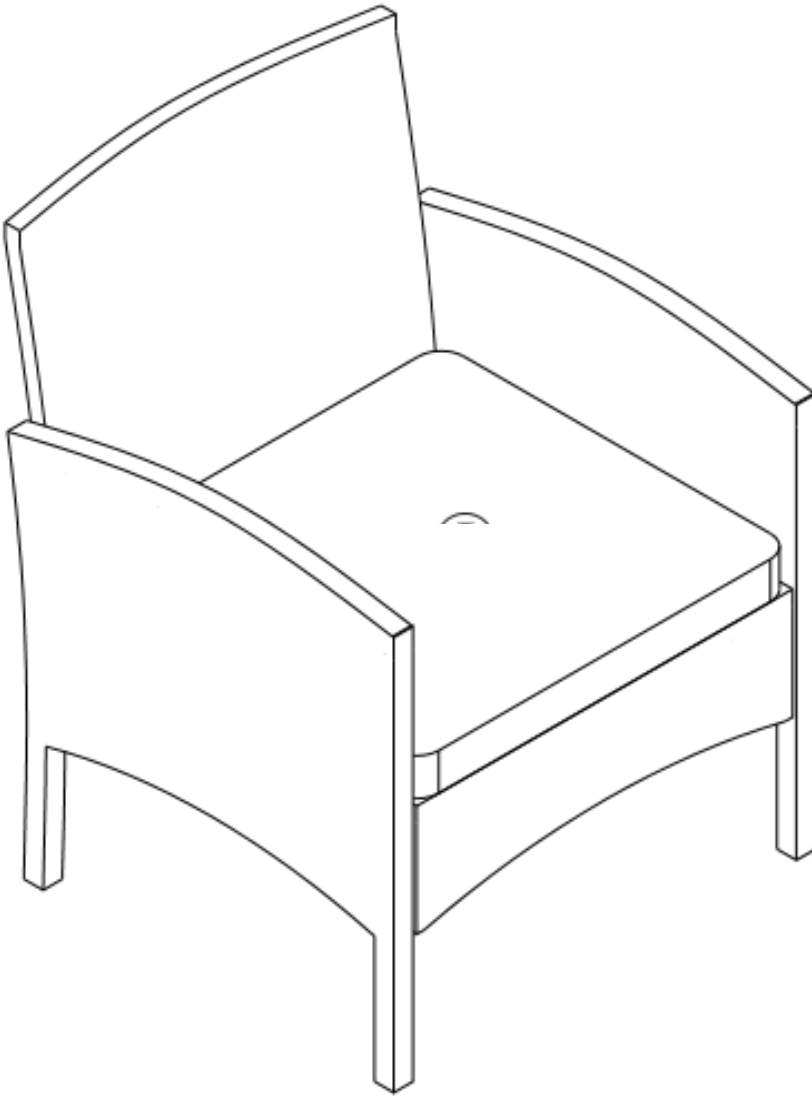
- Insert the chair back (D) into the right armrest back leg (A), see the detail below.
- Attach the chair back (D) to the right armrest back leg (A) by inserting bolt (1) with metal washer (4) through the hole of the chair back into the right armrest (A).
- Attach the chair seat (C) to the right armrest front leg (A) by inserting bolt (2) with metal washer (4) through the hole of the chair seat into the right armrest (A).
- Attach the chair seat (C) to the right armrest (A) by inserting bolts (1) with metal washers (4) through the other 2 holes of the chair seat into the right armrest (A).
- Repeat the steps above for left chair armrest.



Assembly Instruction

3 Now is ready for your enjoyment.

- Tighten all bolts, put the seat cushion on the chair frame, your chair is now ready for use.

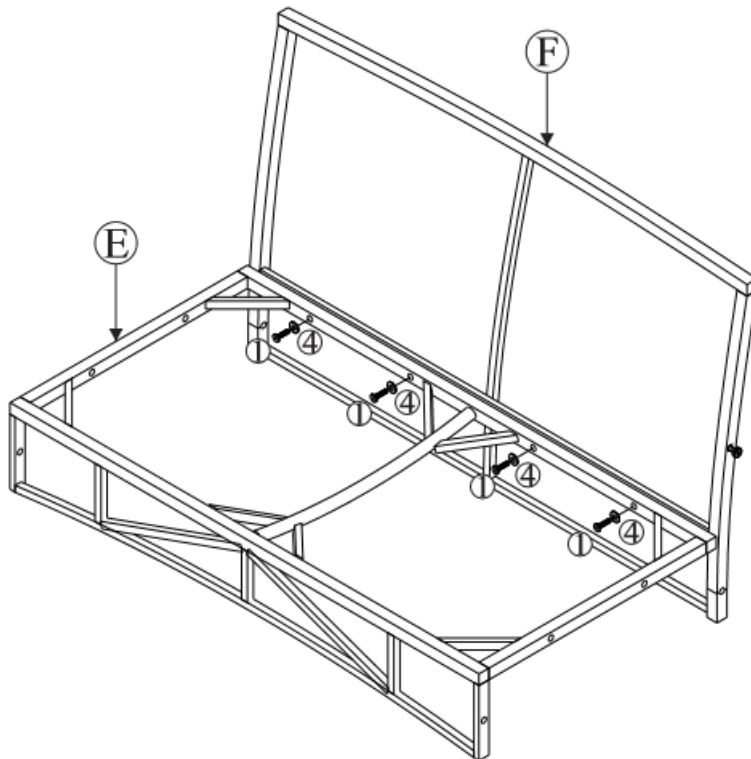
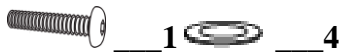


1 Attaching loveseat seat to the loveseat back



NOTE: Do not fully tighten the bolts until all have been positioned per assembly.

- Place loveseat back (F) on a flat, soft surface
- Attach loveseat seat (E) to the loveseat back (F) by using bolts (1) with metal washers (4) through each holes of the loveseat seat into the loveseat back (F).



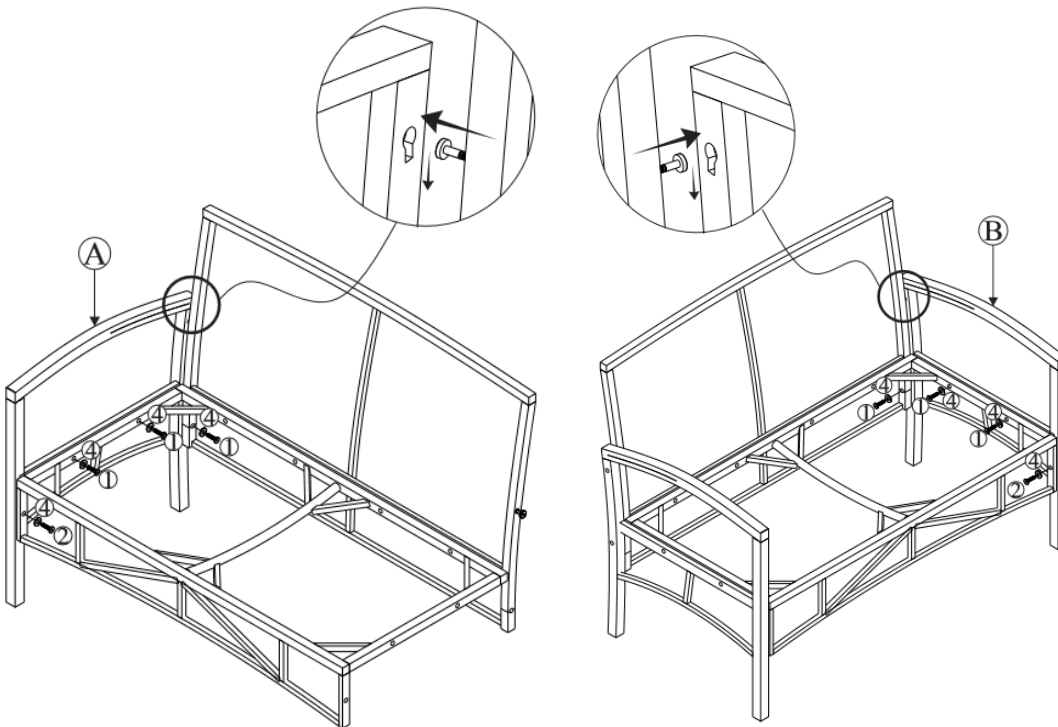
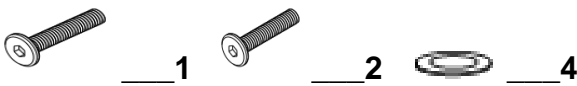
Assembly Instruction

2 Attaching the loveseat back&seat to the armrest



NOTE: Do not fully tighten the bolts until all have been positioned per assembly.

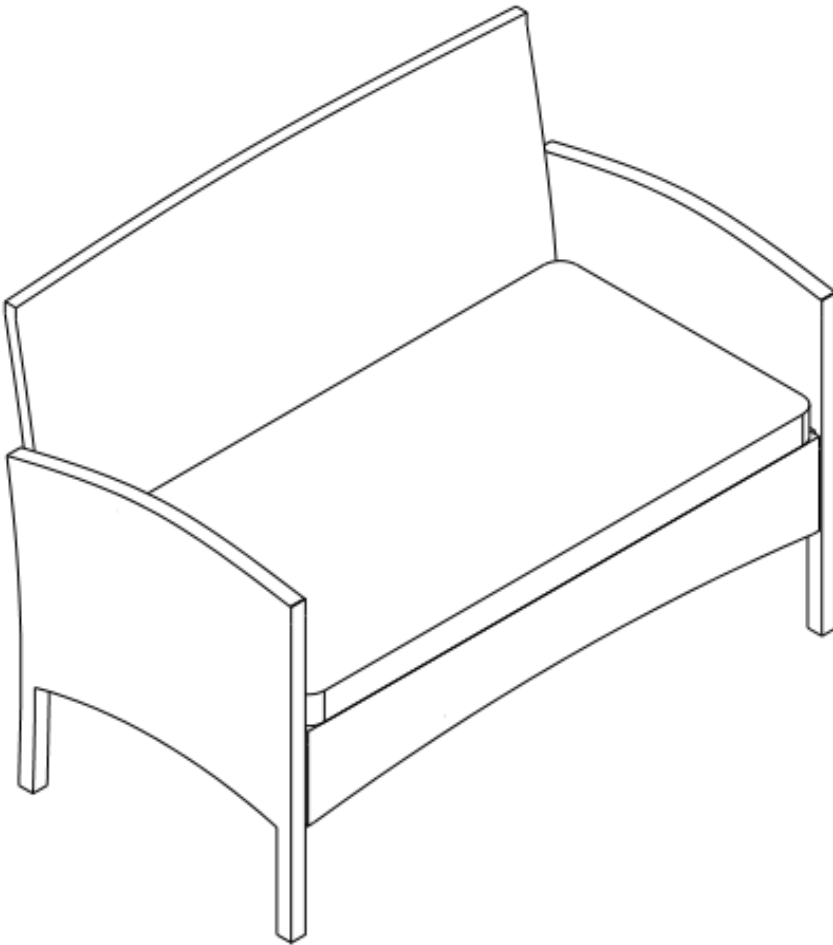
- Insert the loveseat back (F) into the right armrest back leg (A), see the detail below.
- Attach the loveseat back (F) to the right armrest back leg (A) by inserting bolt (1) with metal washer (4) through the hole of the loveseat back into the right armrest (A).
- Attach the loveseat seat (E) to the right armrest front leg (A) by inserting bolt (2) with metal washer (4) through the hole of the loveseat seat into the right armrest (A).
- Attach the loveseat seat (E) to the right armrest (A) by inserting bolts (1) with metal washers (4) through the other 2 holes of the loveseat seat into the right armrest (A).
- Repeat the steps above for left chair armrest.



Assembly Instruction

3 Now is ready for your enjoyment.

- Tighten all bolts, put the seat cushion on the loveseat frame, your loveseat is now ready for use.

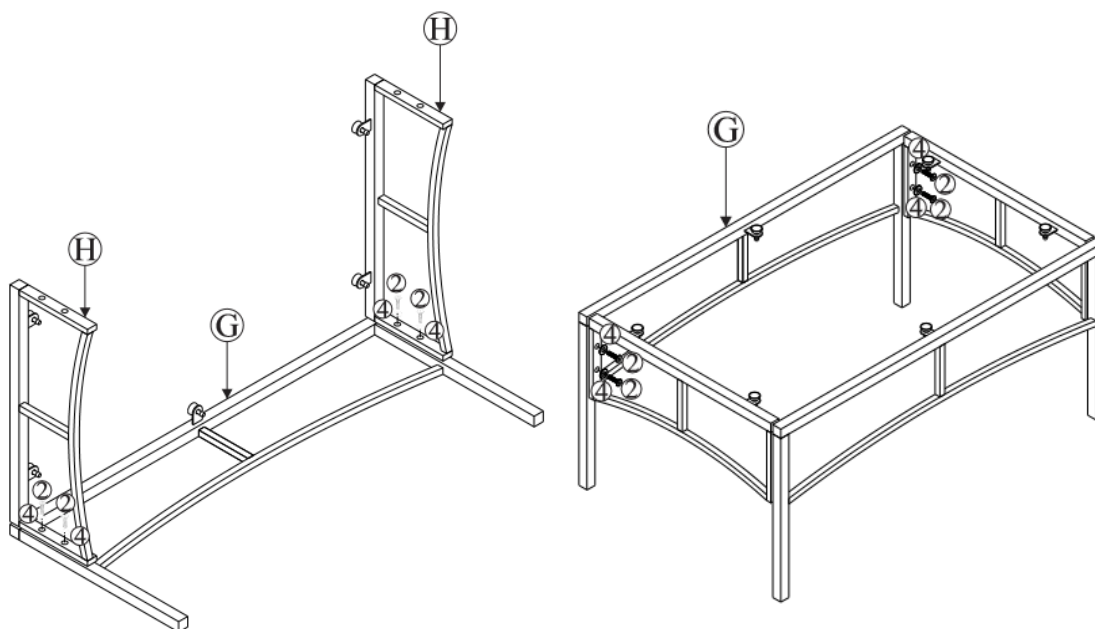
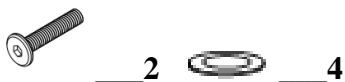


1 Attaching table side panel to the table leg panel



NOTE: Do not fully tighten the bolts until all have been positioned per assembly.

- Place table leg panel(G) on a flat, soft surface
- Attach table side panel (H) to the table leg panel (G) by using bolts (2) with metal washers (4) through each hole of the table side panel into the table leg panel (G).



Assembly Instruction

2 Now is ready for your enjoyment.

- Tighten all bolts, put the glass top on the table frame, your table is now ready for use.

