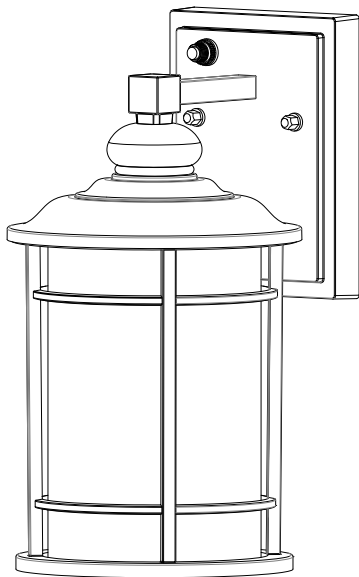


edishinē

Outdoor Wall Light

SKU: HOWL01M
[Instruction Manual]



Please pay attention to the warning signs
Read the instructions with caution before operating
and keep it properly

WARNING:

Risk of fire. Min 75°C supply conductors. Consult a qualified electrician to ensure correct installation. Before installation, please turn off the main power of the circuit breaker to prevent possible electric shock.

Packing List

Part	Description	Quantity
Wall light	12"x6.5"x5.7"	1pc
Wire connectors	P3	3pc
Mounting screw	M4*25mm	2pc
Instruction manual	A5 PAPER	1pc

Installation Instructions

NOTE: PLEASE INSTALL THIS WALL LANTERN 1.2 METERS 3.94 FEET ABOVE THE GROUND

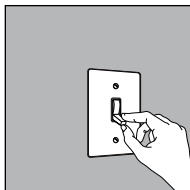


FIG.1 WALL SWITCH

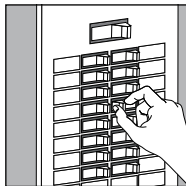


FIG.2 BREAKER PANEL

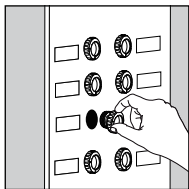


FIG.3 FUSE BOX

STEP 01: POWER OFF

FIG.1. Turn the wall switch to the "OFF" position.

Depending on which type of fuse box in your home:

FIG.2. Either turn the main (Master) switch to the "OFF" position to cut off the power supply of the entire home, or turn off the individual switch that supplies power to the fixture installation location.

OR

FIG.3. Either turn the main (Master) switch to the "OFF" position to cut off the power supply of the entire home, or unscrew the fuse that supplies or turn off the individual switch that supplies power to the fixture installation location.

STEP 02: CLEAN THE LIGHT

Cleaning: Cleaning the glass and sensor surface of the wall light with a soft and damp cloth. Dust will affect the sensitivity of sensor and brightness of the light.

STEP 03: CONNECT THE WIRE

Connect black live wire, white neutral wire and ground wire with wire connectors, be sure that the wires are connected sturdily.

STEP 04: FIX THE LIGHT

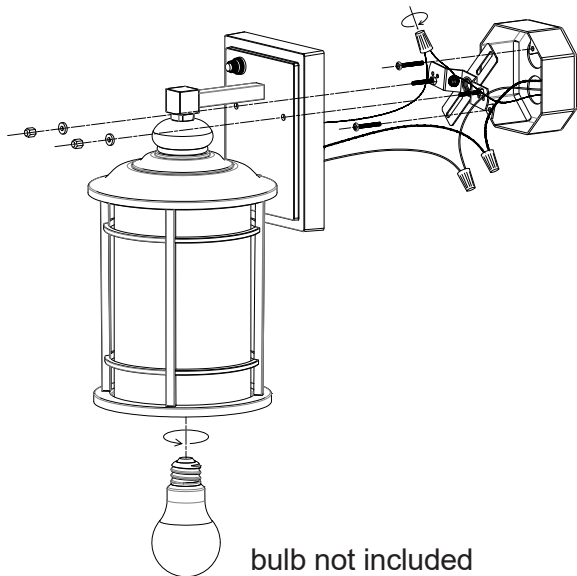
Fix the lamp on the wall with mounting screws, unload the light body by taking off two screws, install A19 bulb (E26 base) in the wall light.

(Not included)

STEP 05: POWER ON

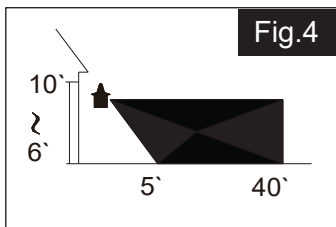
Turn on the main (Master) switch to get the power back, the light will turn on automatically.

The lamp structure is described as following picture:



NOTE:

1. The recommended installation height is 6.5 feet (about 1.98 meters). There should be no obstructions around. ()
2. To reduce possible nuisances, do not mount the fixture near a heat source like an air conditioner, vent or furnace exhaust, or in a direction facing any reflecting objects or other light sources.

**Specifications:**

- Input Voltage: 120VAC 60HZ
- Max Load Power for Bulb : Incandescent Bulb 60W
- Socket Type: Standard medium E26 (bulb not included)
- Material: Die-casting Aluminum and Glass
- Comply With: ETL

One Year Limited Warranty

Supported by our professional R&D team and QC team, we provide One Year Warranty for materials and workmanship from the purchase date. Please note that the warranty does not cover damage caused by personal misuse or improper installation.

Please attach your Order ID and Name so that our dedicated customer service team can help you better.