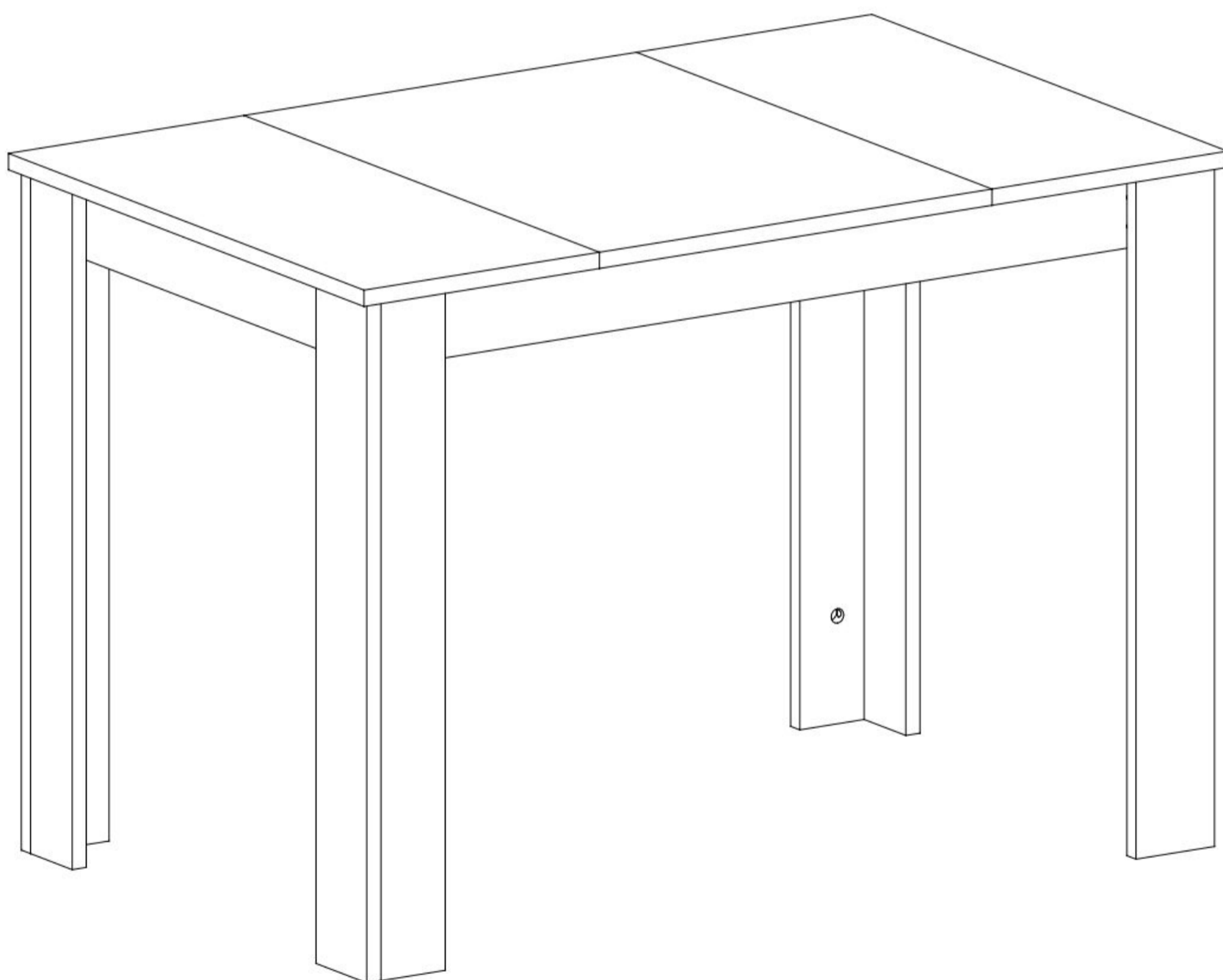


# Dining Table 110

---

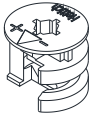
**MONTAJ KLAVUZU / ASSEMBLY MANUAL**



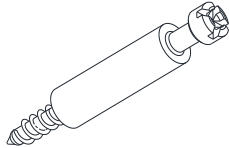
# ATTENTION !!

Minifix is the main connection material used in products.  
Before starting assembly, please check the drawings below...

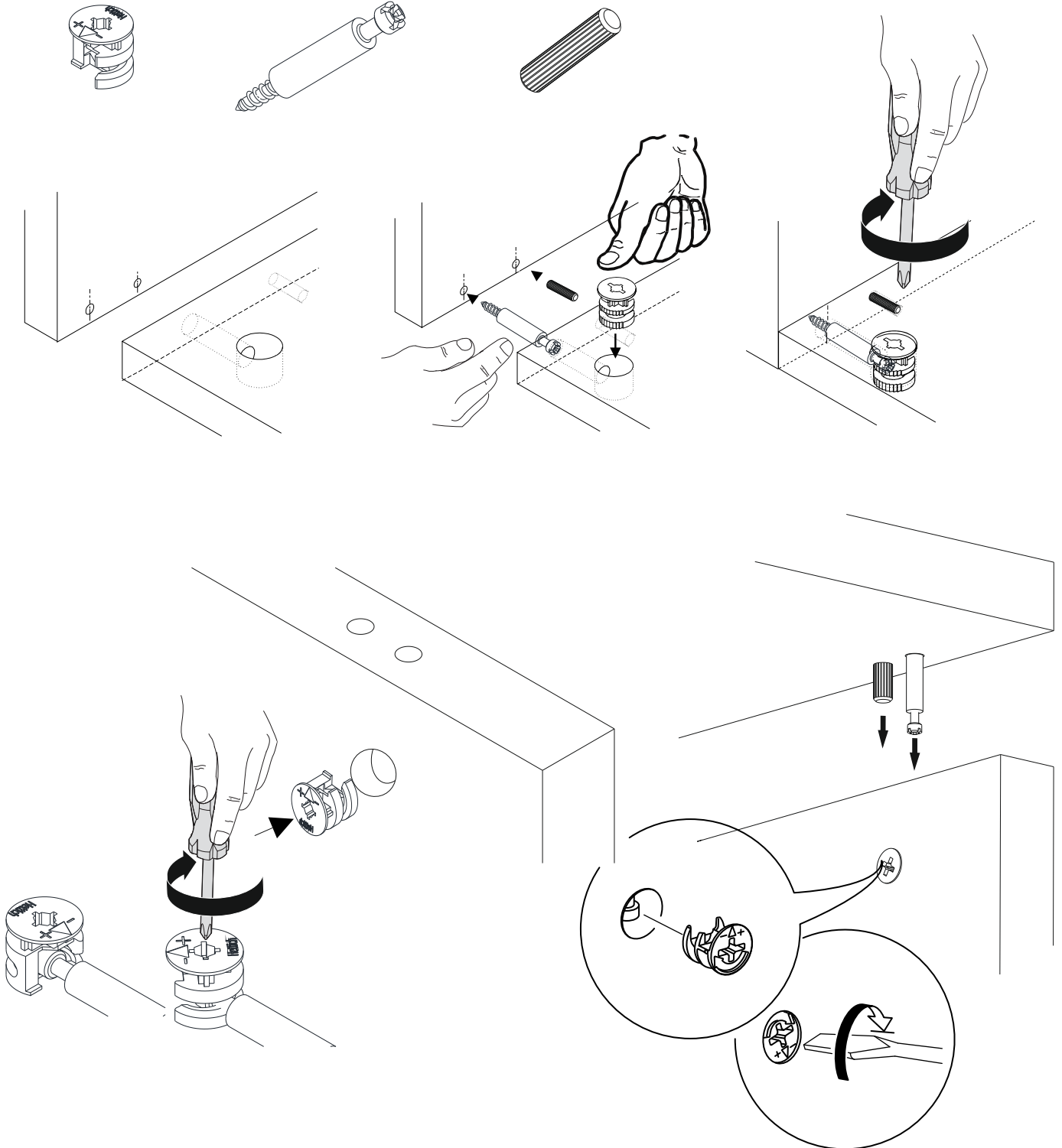
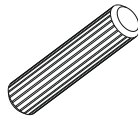
MINIFIX BODY



MINIFIX SHAFT



DOWEL

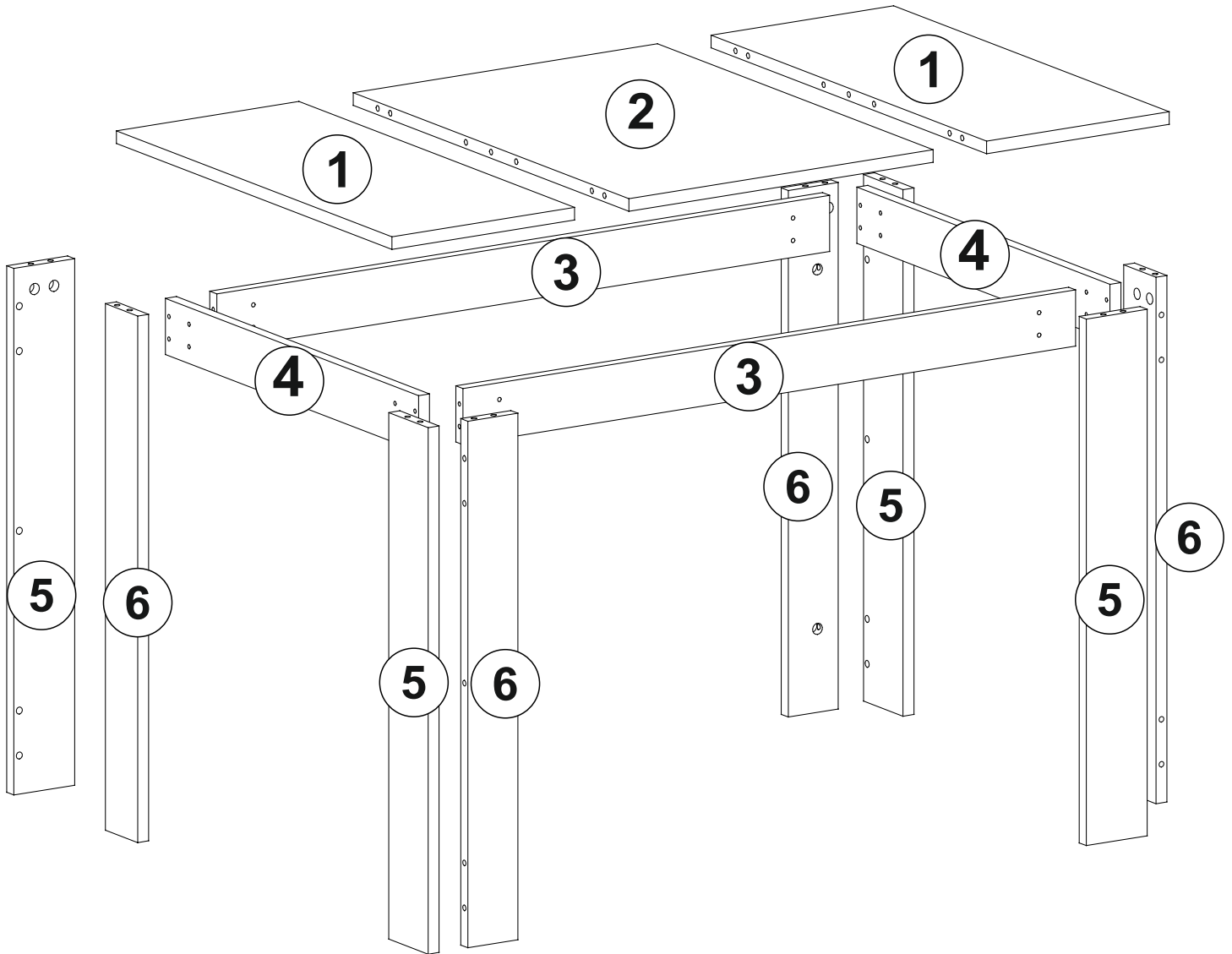


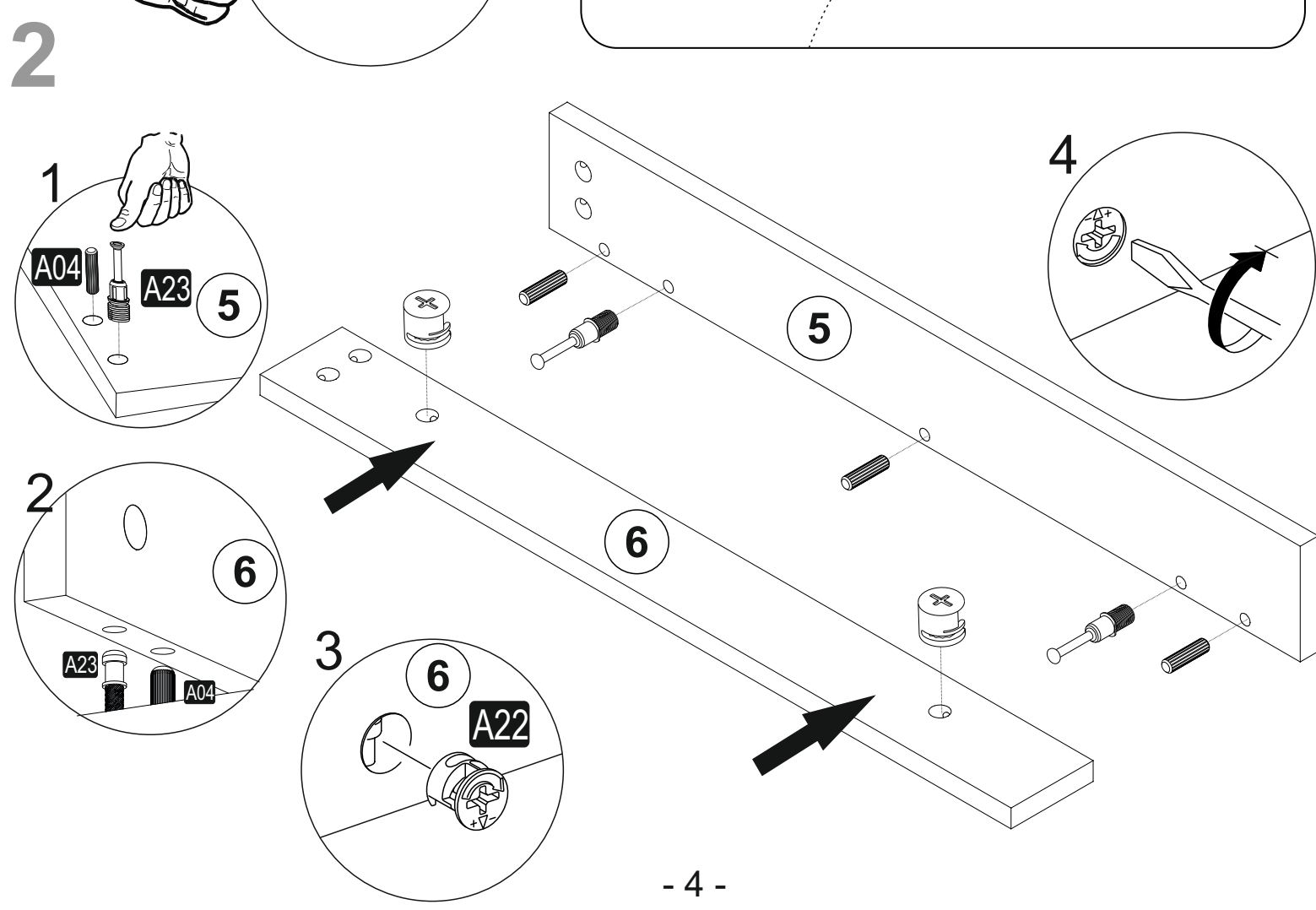
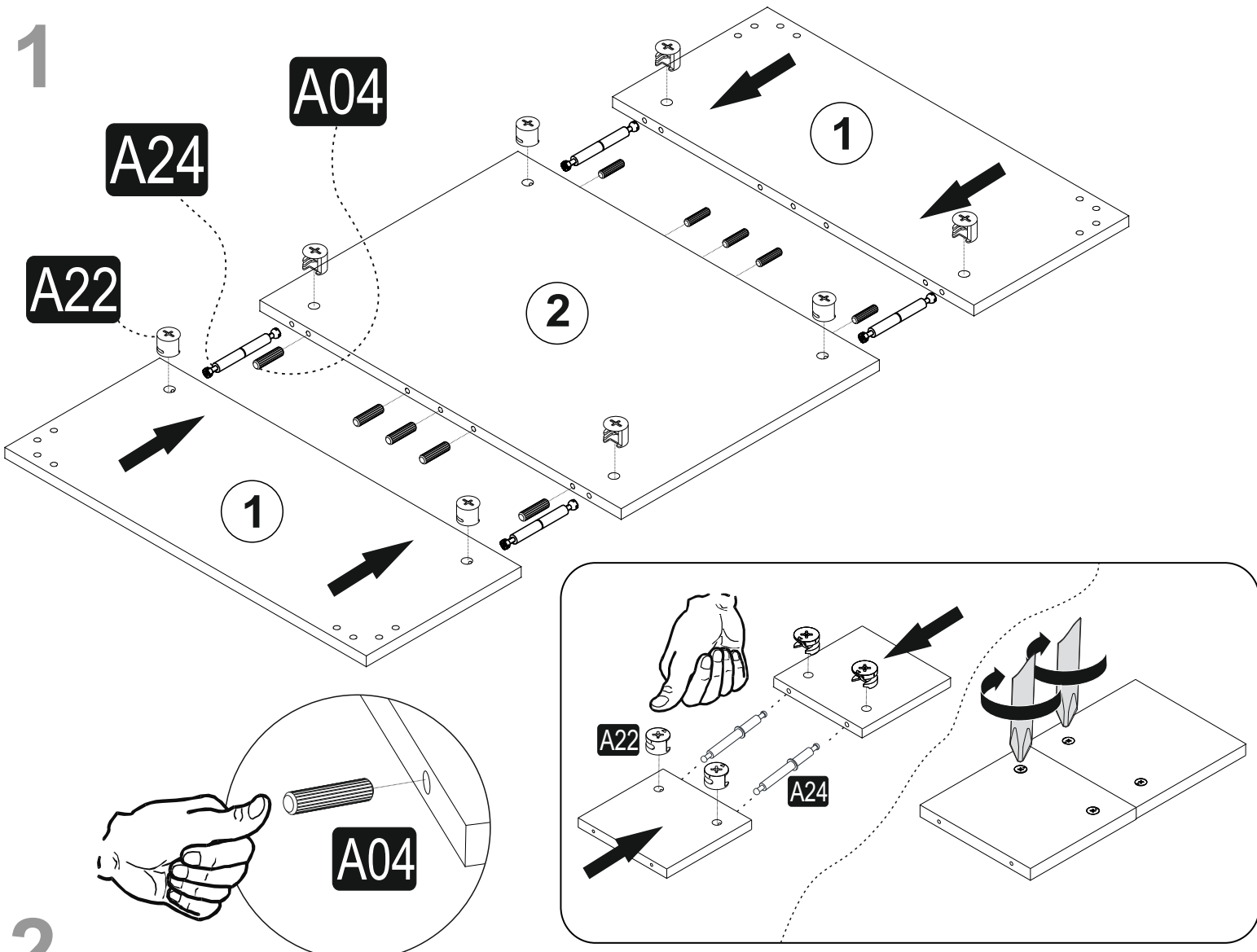
# AKSESUAR LİSTESİ / ACCESSORY LIST

# LINUS

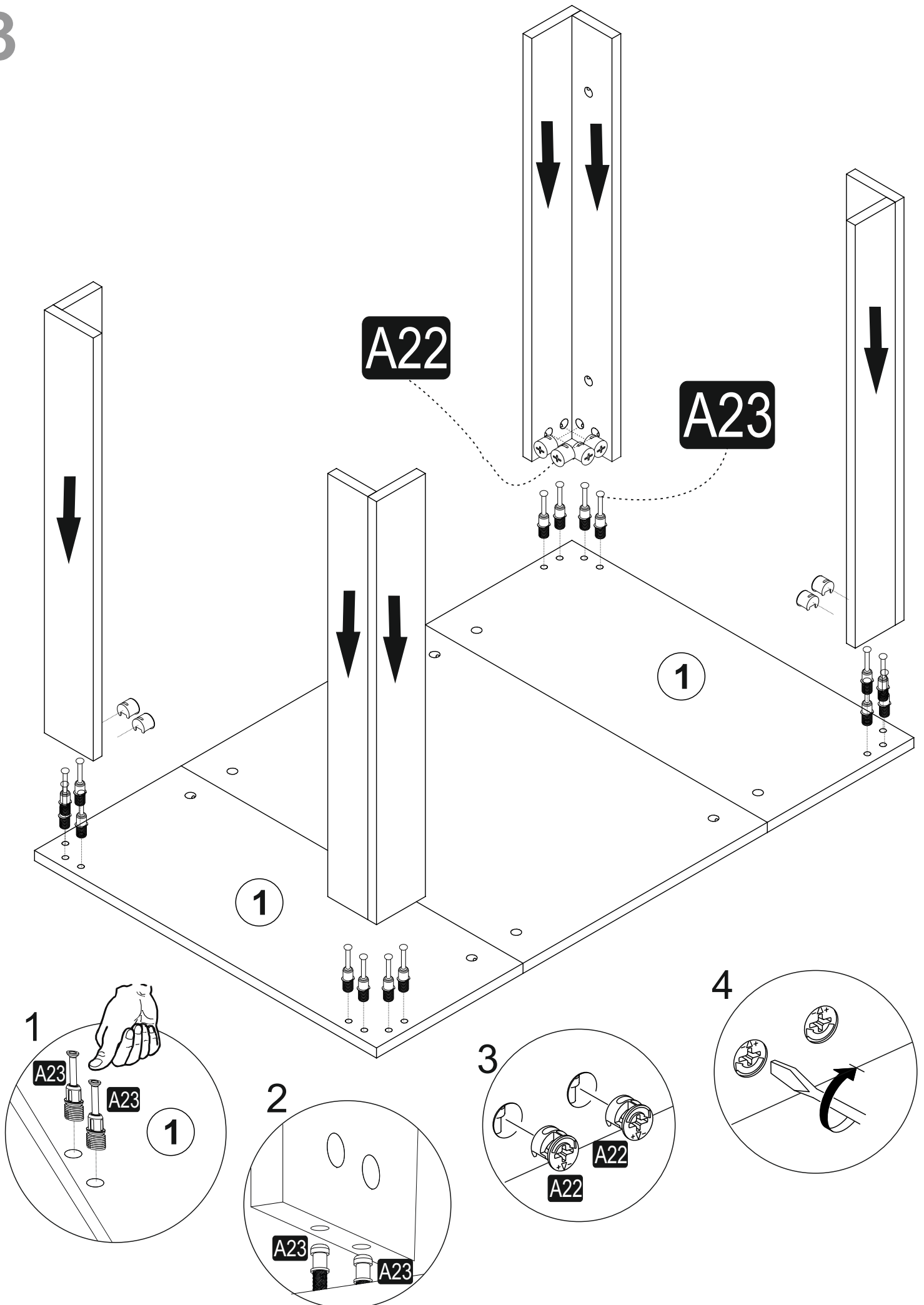
<b>A23</b> MINIFIX SHAFT MINIFIX MİL 8x34 <b>24x</b>	<b>A22</b> MINIFIX GÖVDE MINIFIX BODY 15x14 <b>32x</b>	<b>A04</b> DOWEL KAVELA 8x30 <b>22x</b>	<b>A41</b> 4x30 <b>16x</b>	<b>A35</b> LA <b>12x</b>
<b>A24</b> UZUN MİL 86 mm SEKMANSIZ 4x	<b>A18</b> 3,5x18 <b>48x</b>	<b>A06</b> 18 mm ANA RENK <b>32x</b>	<b>A10</b> 14mm ANA RENK <b>16x</b>	<b>A17</b> 4x50 <b>8x</b>
				<b>A70</b> ÇİVİLİ PAPUÇ 16x

## PARÇA KODLAMA / DISASSEMBLED VIEW

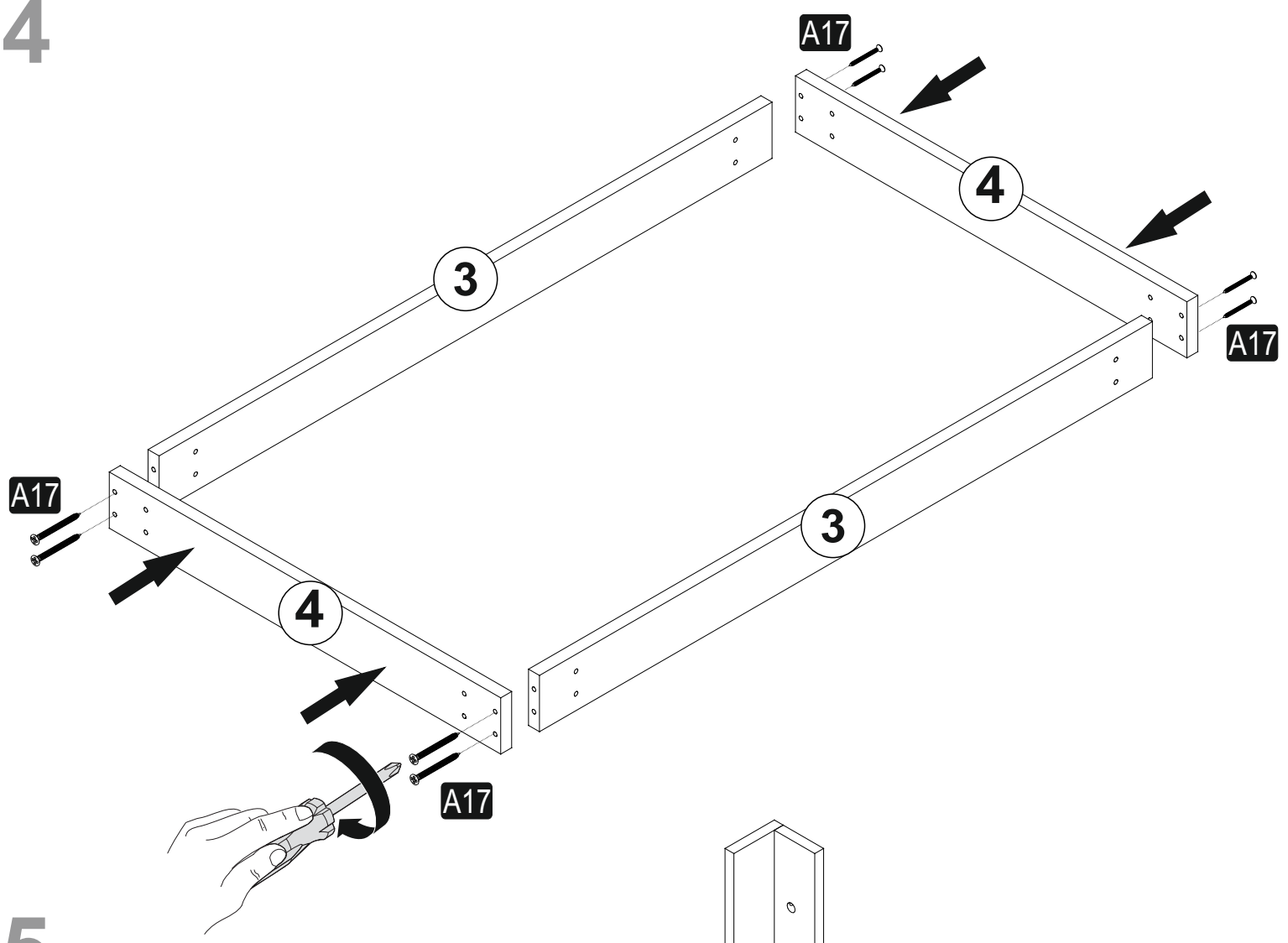




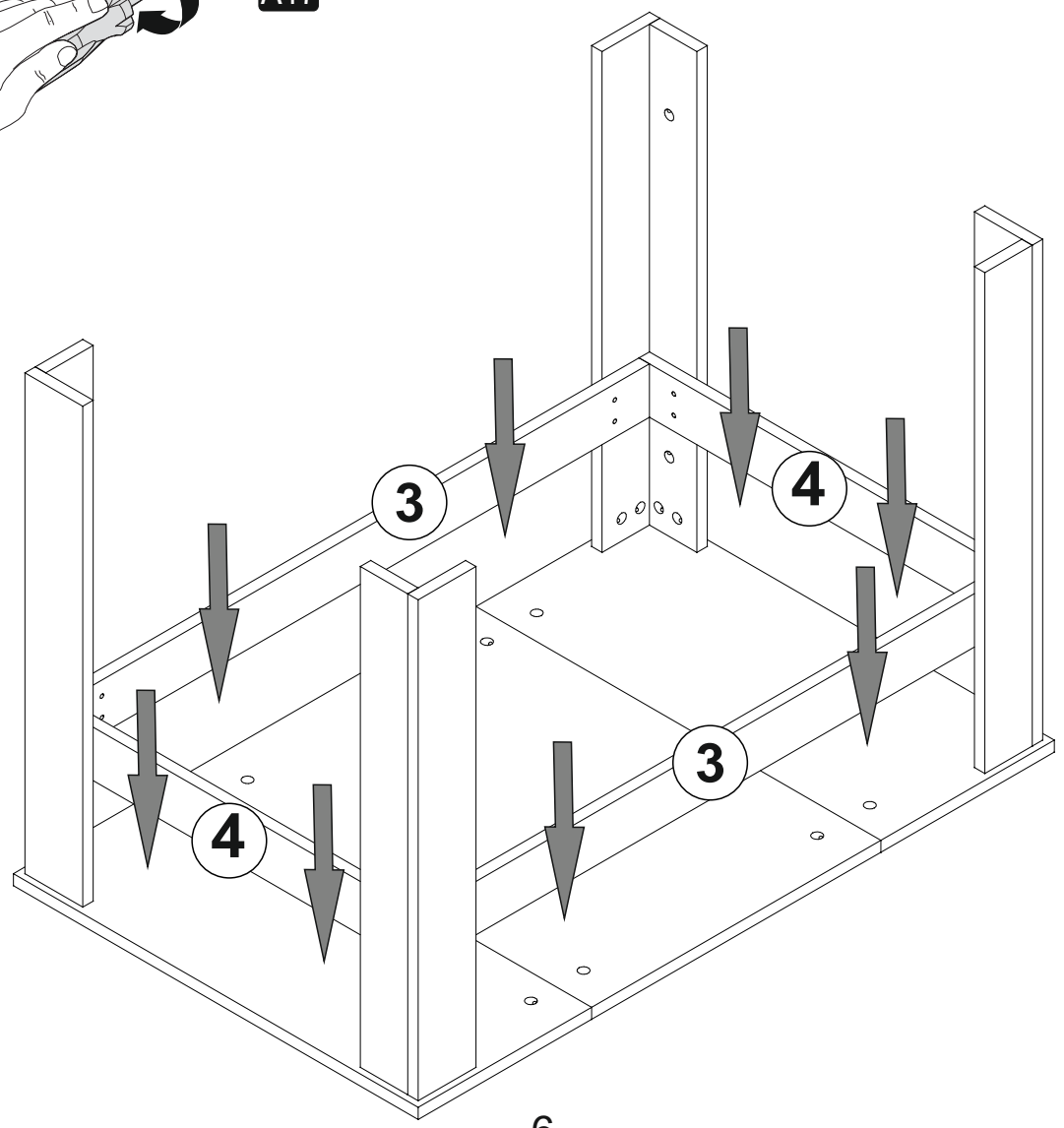
3



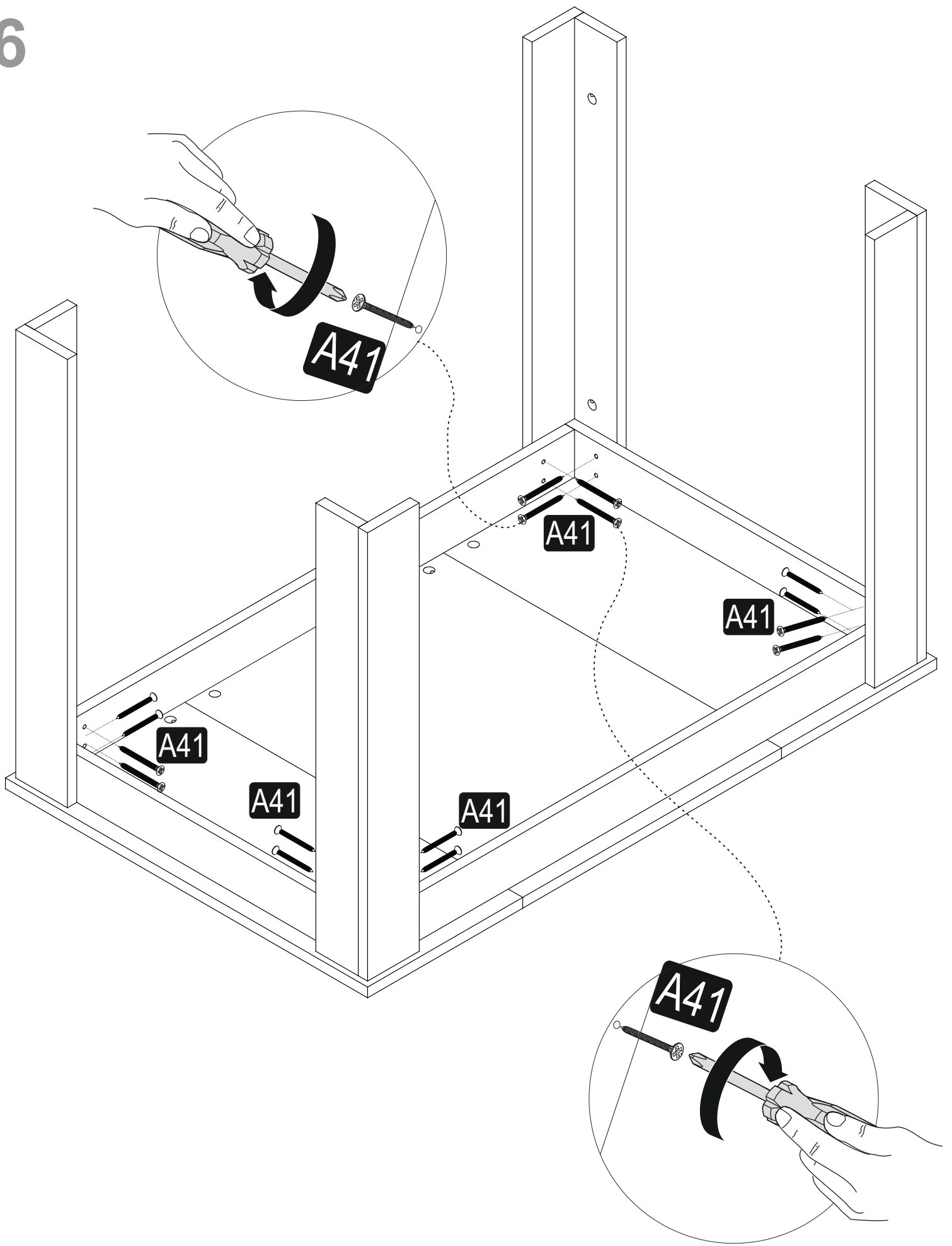
4



5



6



7

