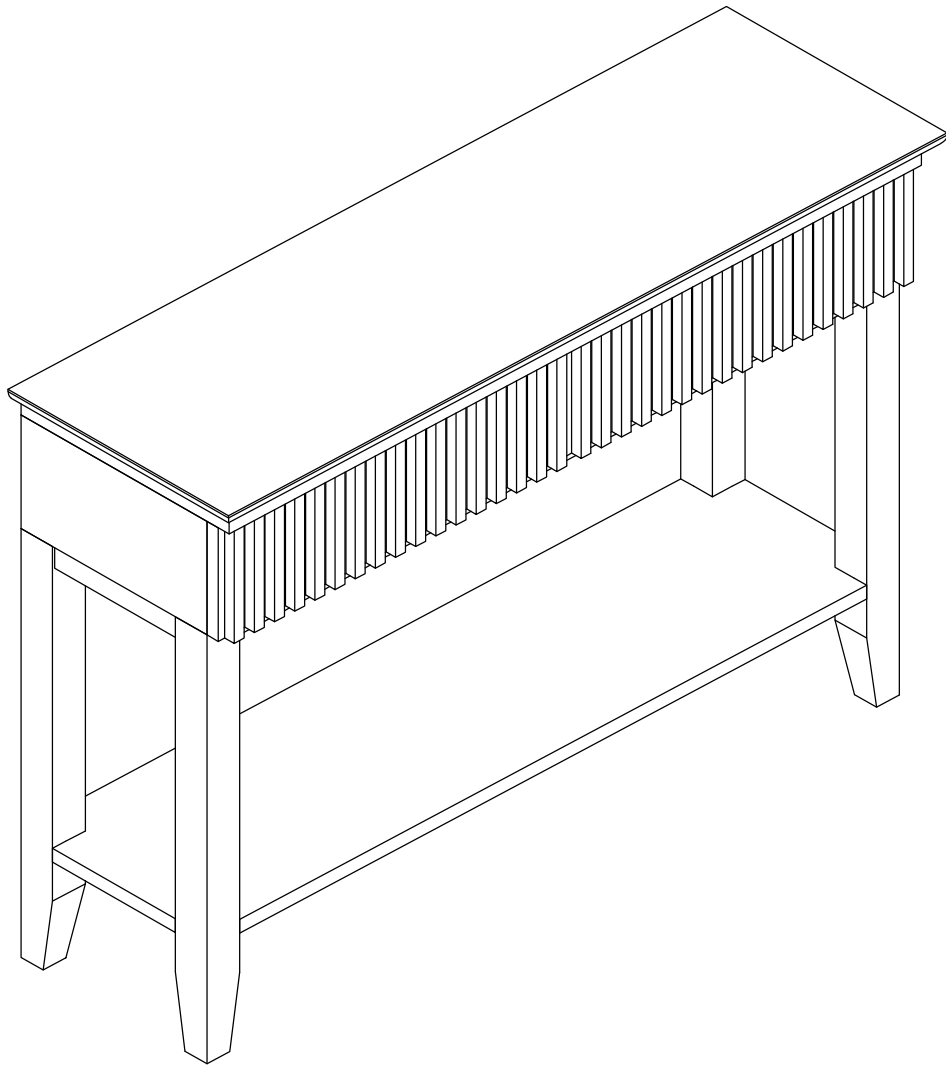


# Instruction Manual

## Willow Console Table

[www.laura-james.co.uk](http://www.laura-james.co.uk)



# CONTENTS

---

Safety and care advice	1
Components	2
Assembly instructions	4
Copyright	8



# SAFETY AND CARE ADVICE



## PLEASE READ THESE INSTRUCTIONS CAREFULLY AND KEEP FOR FUTURE REFERENCE

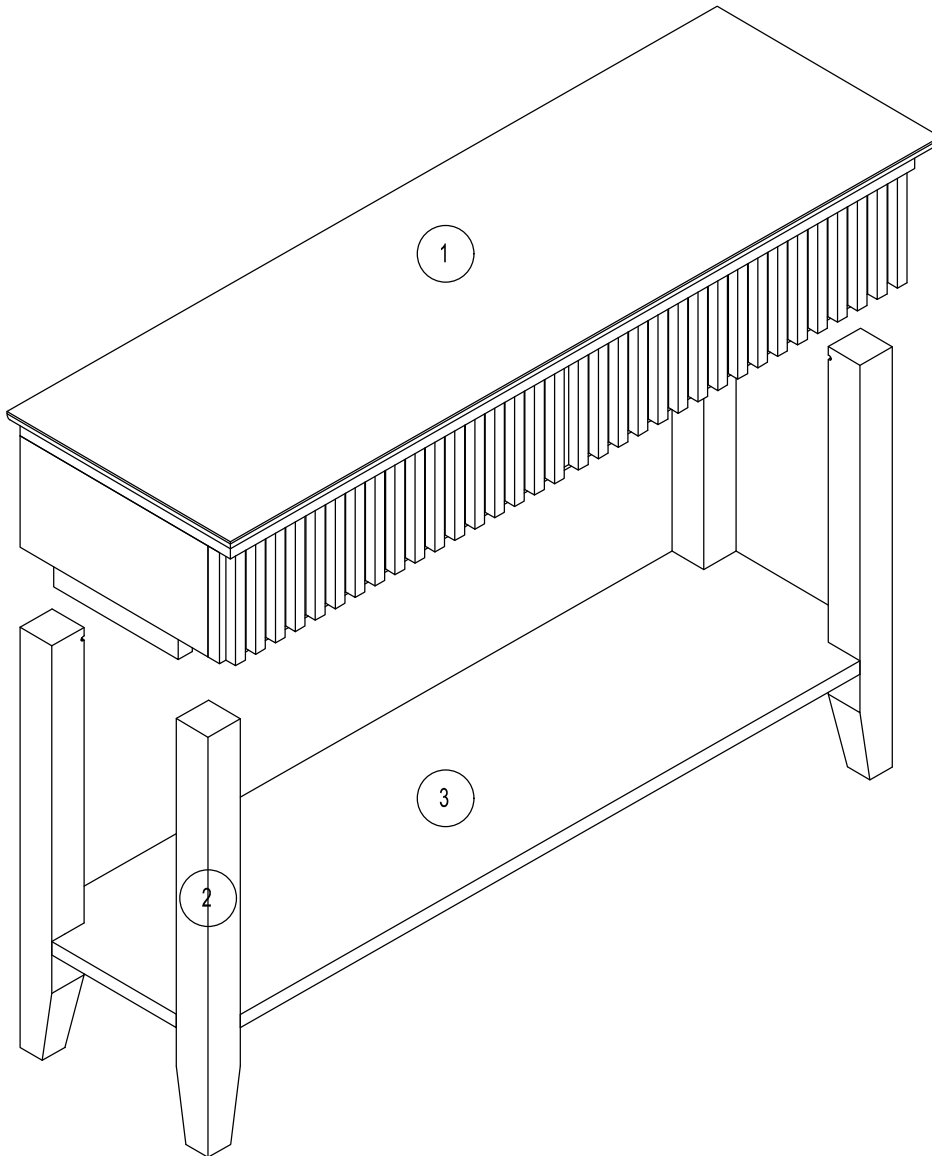
- **Warning:** Please lift with care.
- Check you have all the components and tools listed on pages 2 and 3.
- Remove all fittings from the plastic bags and separate them into their Groups
- Keep children and animals away from the work area, small parts could choke if swallowed.
- Make sure you have enough space to lay out the parts before starting.
- Do not stand or put weight on the product, this could cause damage.
- Assemble the item as close to its final position (in the same room) as possible.
- Assemble on a soft level surface to avoid damaging the unit or your floor (use opened out unit carton).
- We do not recommend the use of power drill/drivers for inserting screws, as this could damage the unit. Only use hand screwdrivers.
- Dispose of all packaging carefully and responsibly

## CARE AND MAINTENANCE

- Only clean using a damp cloth and mild detergent, do not use bleach or abrasive cleaners.
- From time to time check that there are no loose screws on this unit.
- This product should not be discarded with household waste. Take to your local authority waste disposal center.
- Note: If required the next page can be cut out and used as reference throughout the assembly. Keep this page with these instructions for future reference.

# COMPONENTS

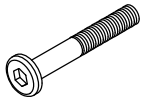
Please check you have all the panels listed below:

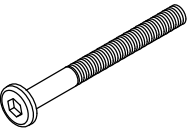


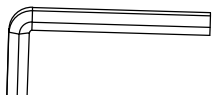
1	Top frame	x1
2	Legs	x4
3	Shelf panel	x1

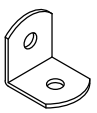
# COMPONENTS

Please check you have all the panels listed below:

**A**   
Bolts (M6x15mm) x 8



**B**   
Bolts (M6x35mm) x 4

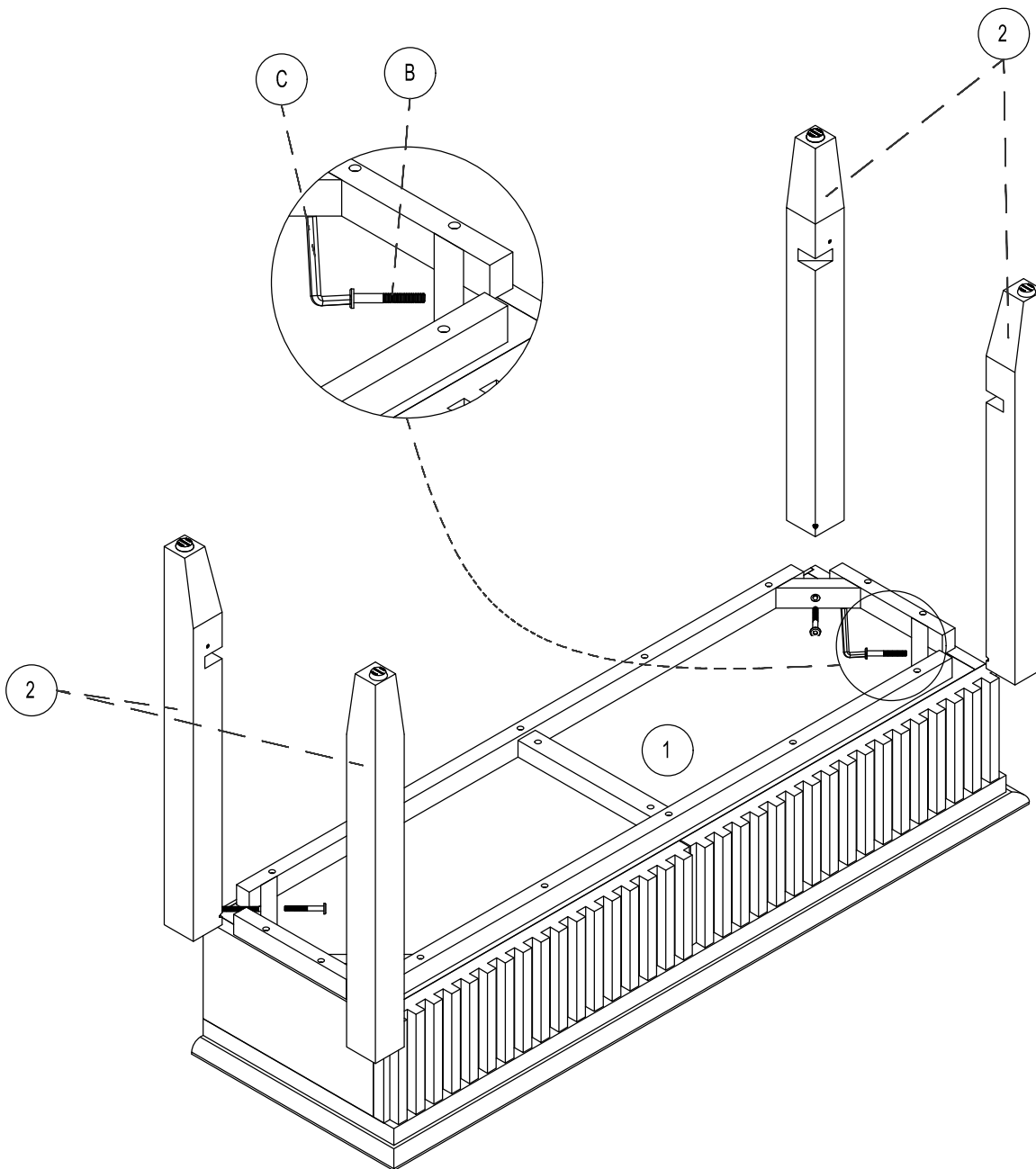
**C**   
Allen key (M4) x1

**D**   
(20X20mm) x4

# ASSEMBLY INSTRUCTIONS



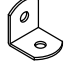
Step 1:

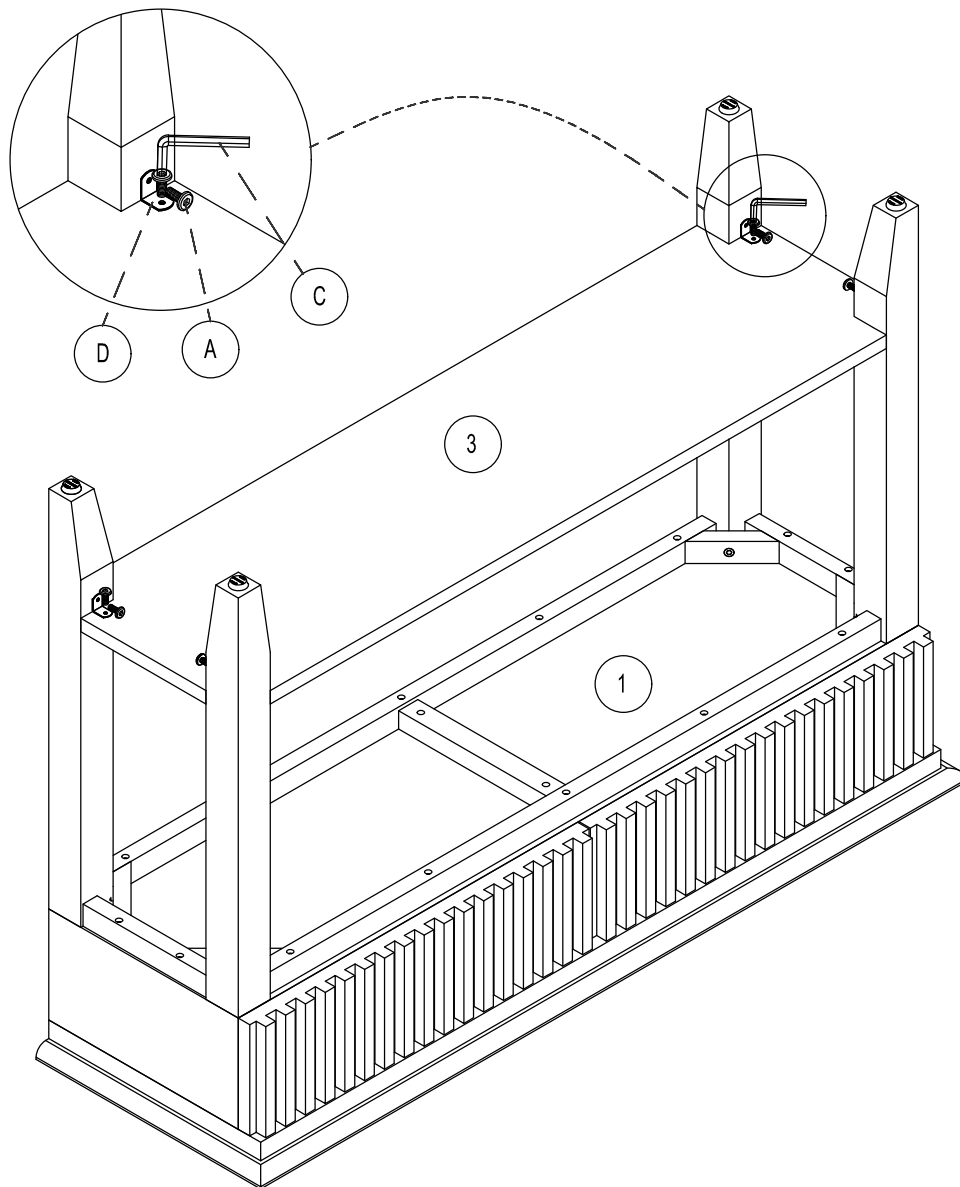
<b>B</b>		<b>4</b>
<b>C</b>		<b>1</b>



# ASSEMBLY INSTRUCTIONS

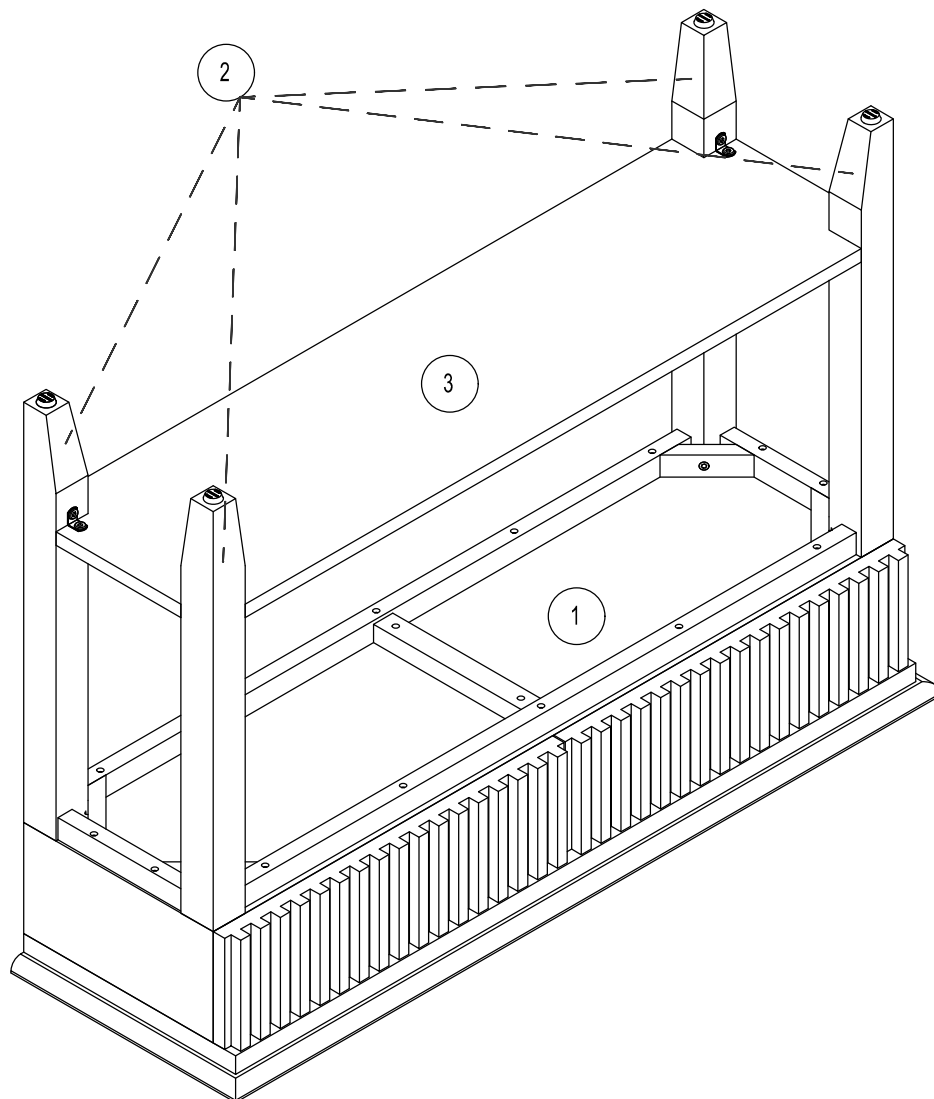
Step 2:

A		8
C		1
D		4



# ASSEMBLY INSTRUCTIONS

Step 3:



# IF YOU FIND A DEFECTIVE PART

---

We fully stock all parts and components. Any defective part can be quickly replaced. Take note of the defective part number in manual and we will arrange a quick replacement.

You can email our team at [customercare@laura-james.co.uk](mailto:customercare@laura-james.co.uk)

## COPYRIGHT

---

All material in this instruction manual is copyrighted by AGTC Ltd.  
Any unauthorised use may violate worldwide copyright, trademark and other laws.

# ASSEMBLY INSTRUCTIONS

---

Thank you for purchasing!

Laura James® is a registered trademark of AGTC Ltd.  
Made in Vietnam for AGTC LTD S35 9ZX

---

**Laura James**

[www.laura-james.co.uk](http://www.laura-james.co.uk)