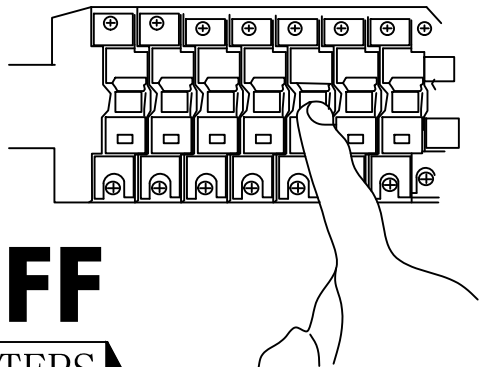


# Installation sequence

1

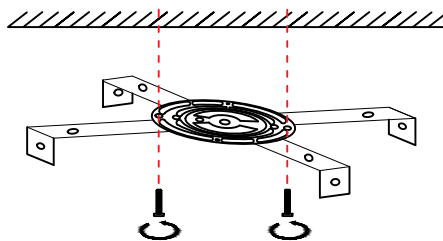


**OFF**

**STEPS**

Turn off the power

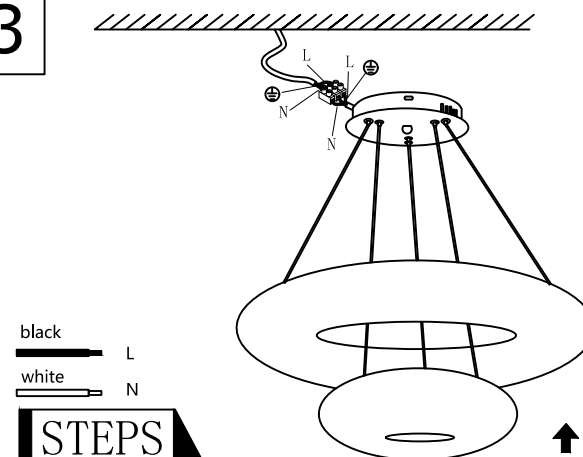
2



**STEPS**

Lift the ceiling plate of the whole lamp to the hole of the hanging plate, and fix it with screws

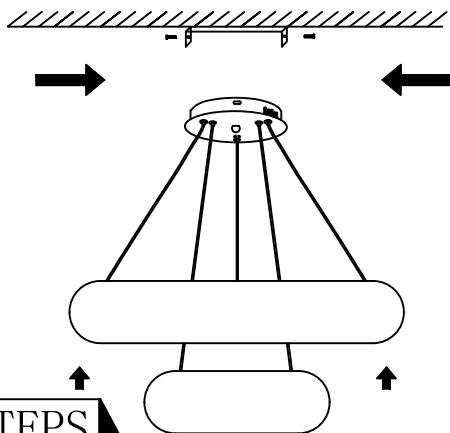
3



**STEPS**

1. Connect the power cord of the lamp body to the reserved Power cord, pay attention to the positive and negative poles
2. Turn on the power and check if the light is on. If there is No, please contact customer service.

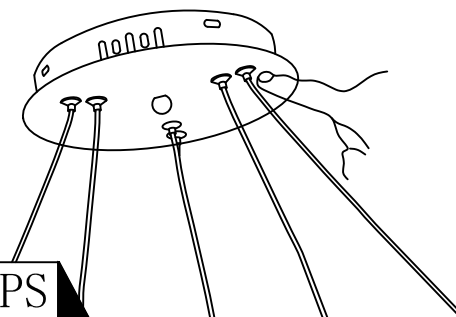
4



**STEPS**

Fix the lamp body on the ceiling plate with screws

5



**STEPS**

Press and hold the adjustment button to adjust the shape you want

## Advertencia:

1. Voltage: 85-265V ~ 50 / 60Hz
2. For indoor use only
3. Please, professional installation to avoid the risk of electric shock
4. Before installation, check whether the accessories are complete, If there is not enough, please contact customer service in time for replacement
5. Before installation, please cut off the power supply to prevent leakage
6. Please be sure to install according to the company's installation instructions,