

# BOX SPRING Set-up Instruction

XBS250X Size: Twin/Twin XL

If you have any questions about the product, please don't hesitate to contact us.  
You can reach us through your order. Thanks for your support!

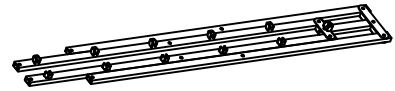
## Components-Parts



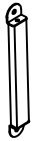
② × 4PCS



④ × 1PCS



⑤ × 2PCS



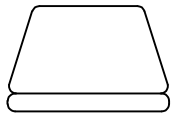
⑥ × 6PCS



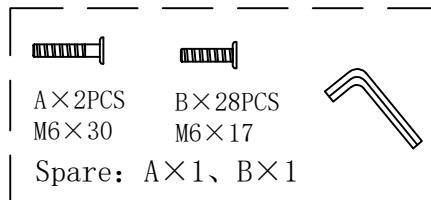
⑦ × 4PCS



⑧ × 10PCS

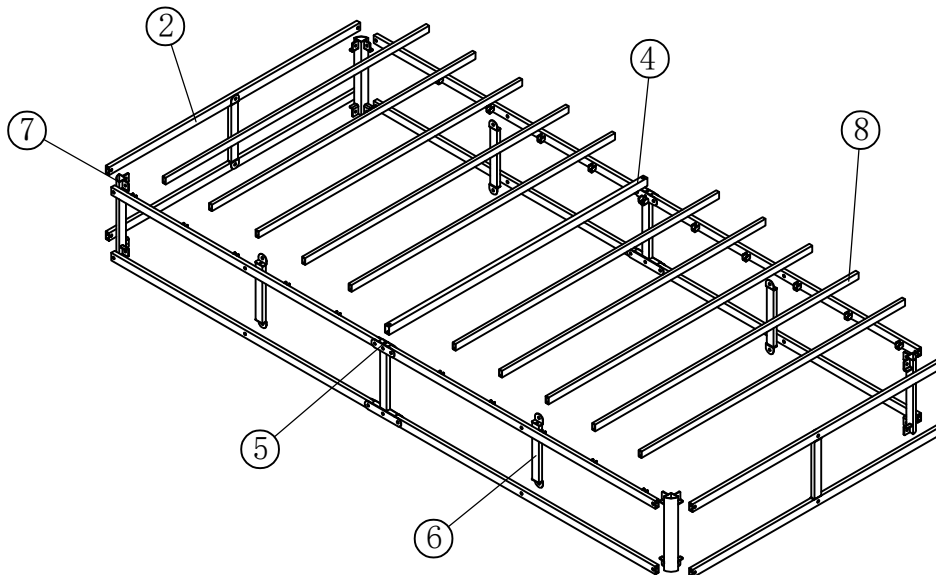


⑨ × 1PCS Bed cover

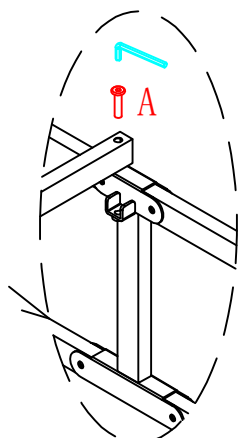
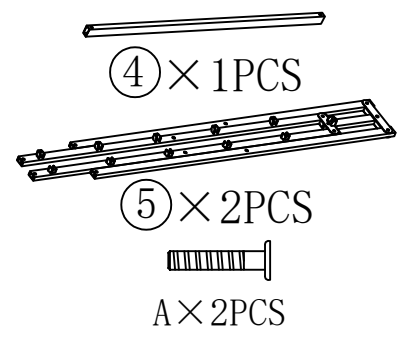
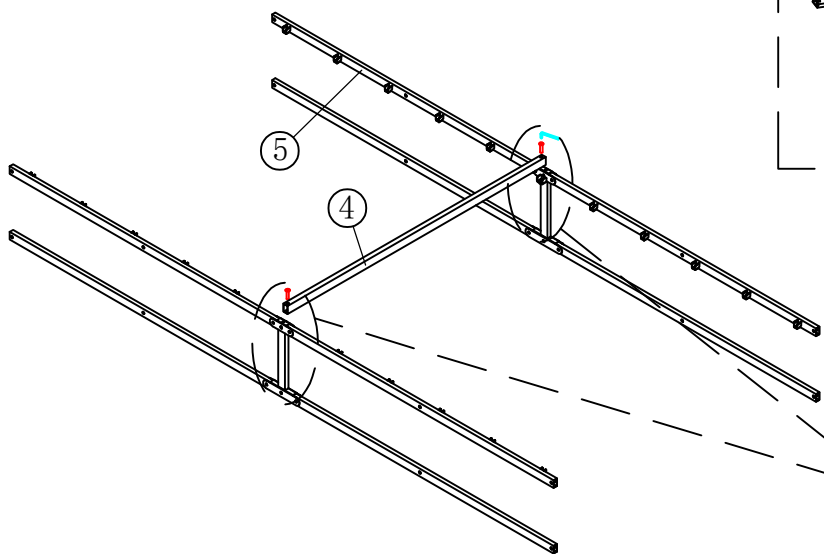


**NOTE:**The M6\*30 for the bolt indicates a diameter of 6 mm (0.236 in) and a length of 30 mm (1.18in).

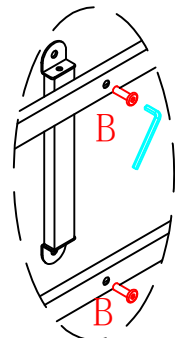
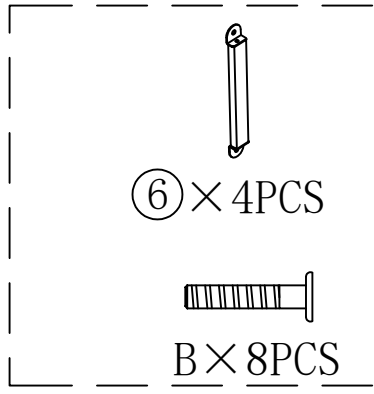
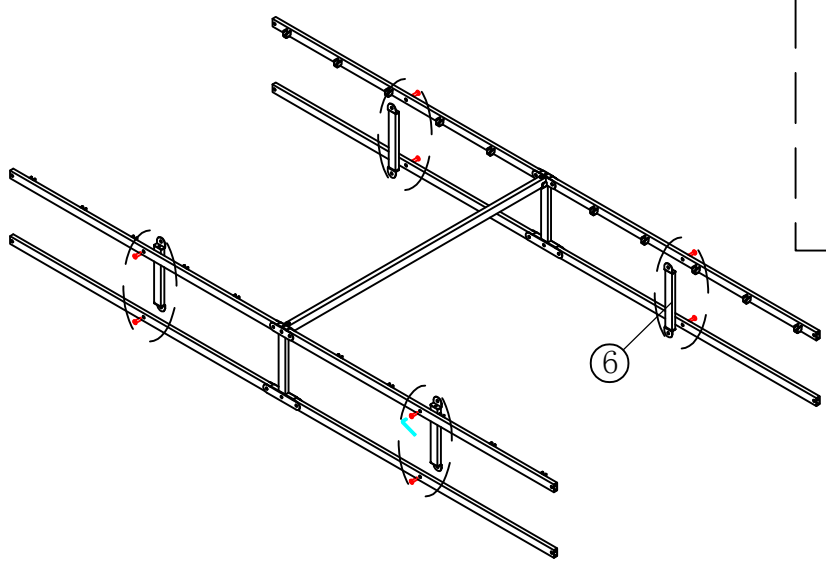
## Component Distribution - Easy Assembly in 7 Steps



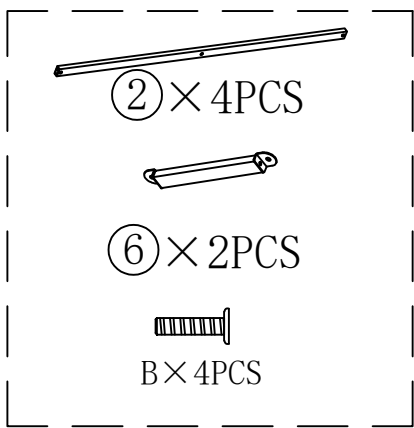
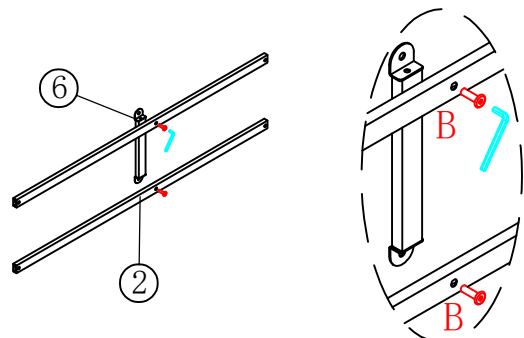
Step1: Take out the part ④ and ⑤ screw it as shown



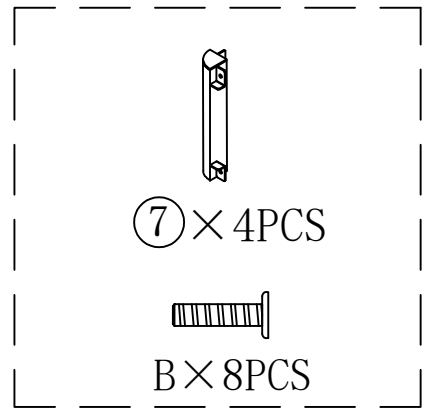
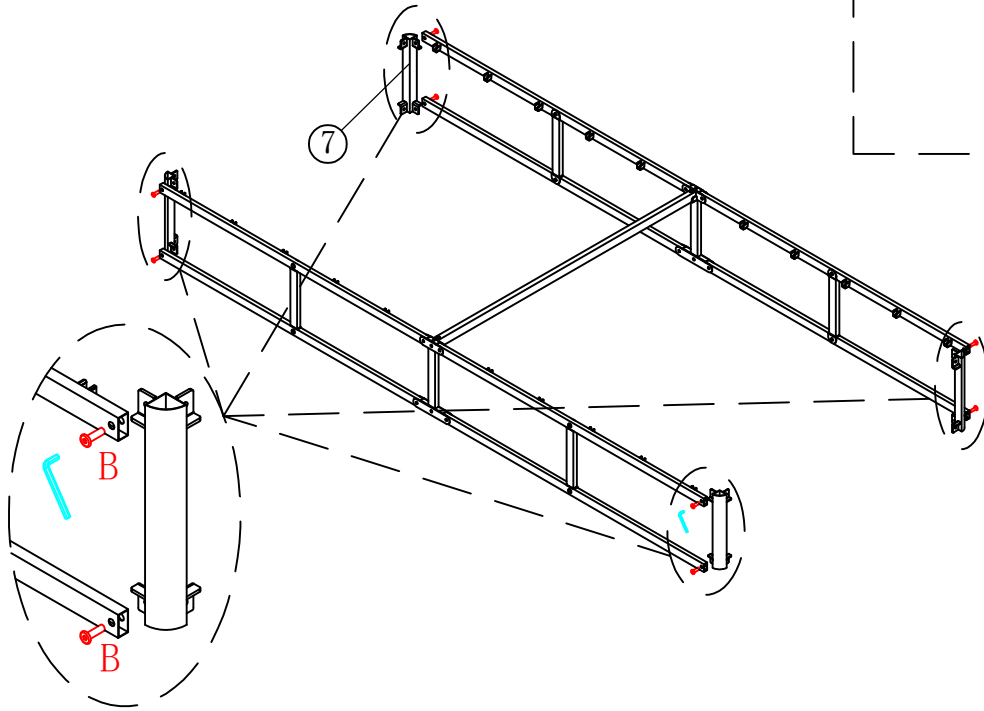
Step2: Screw part ⑥ to part ⑤ as shown



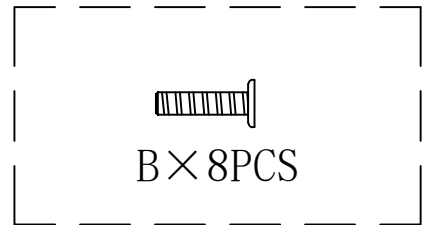
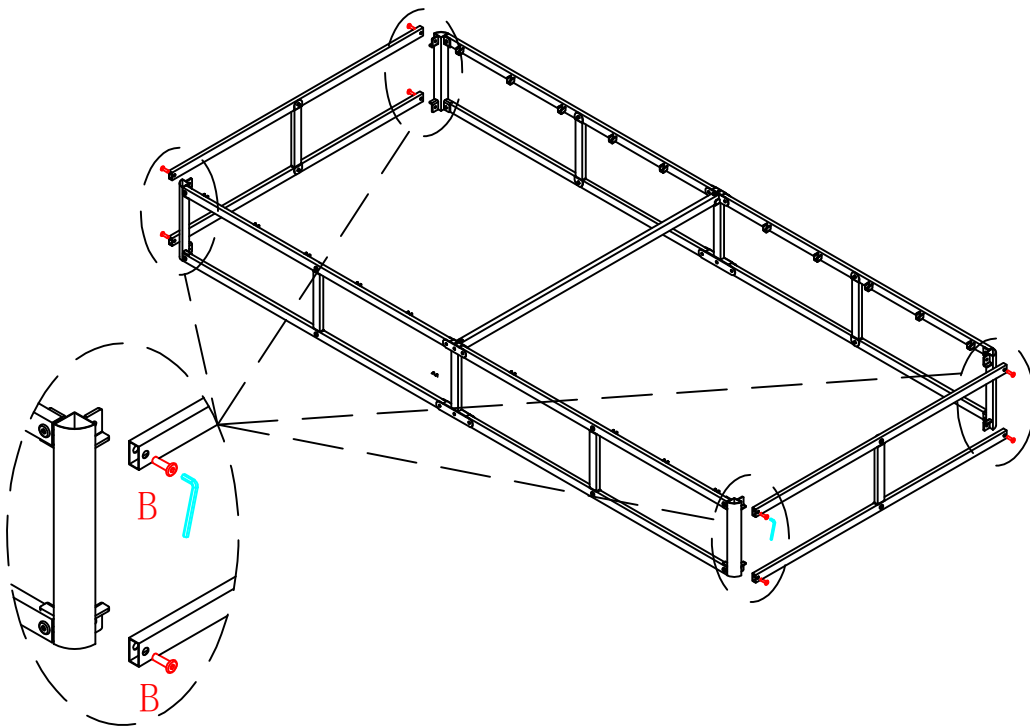
Step3: Screw part ⑥ to part ② as shown



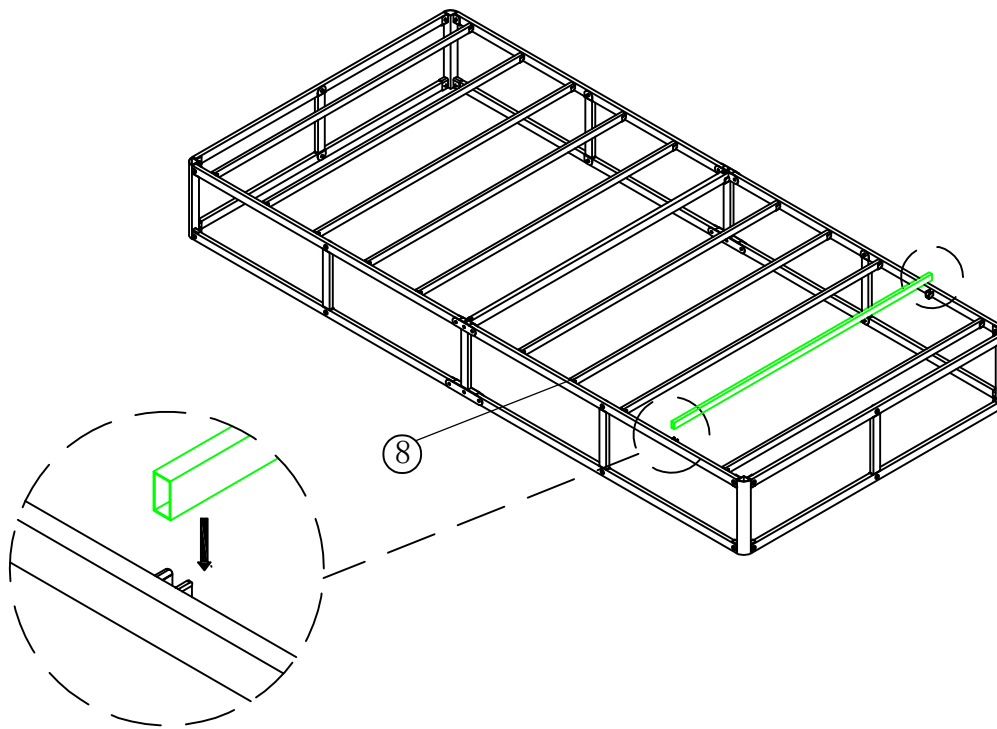
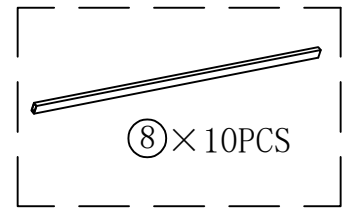
Step4: Joint part ⑦ with screws  
as shown



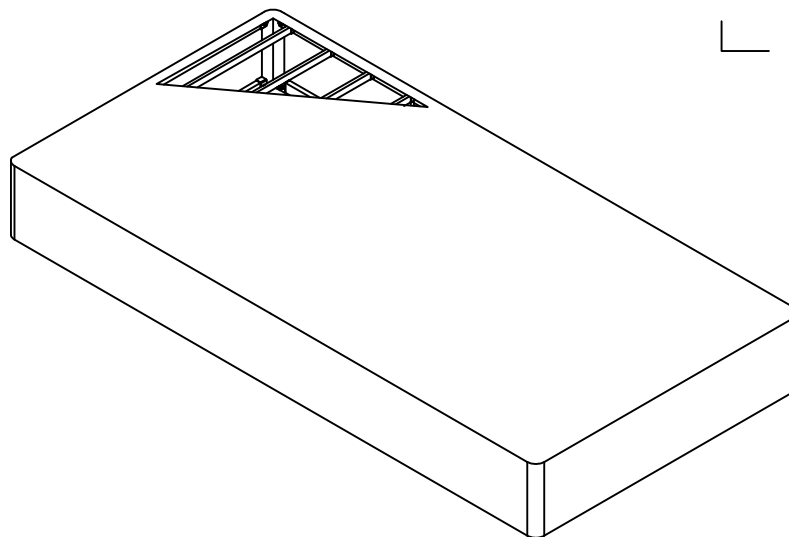
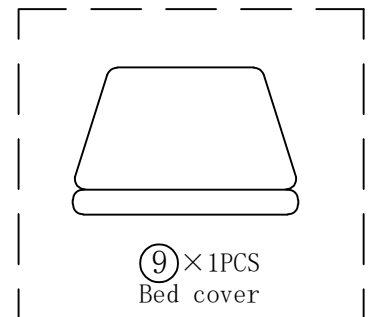
Step5: Joint parts ② with screws  
as shown



Step6:Insert slats



Step7:Put on the fabric cover-D, completed



In the last step, please make sure all the screws are tightened.