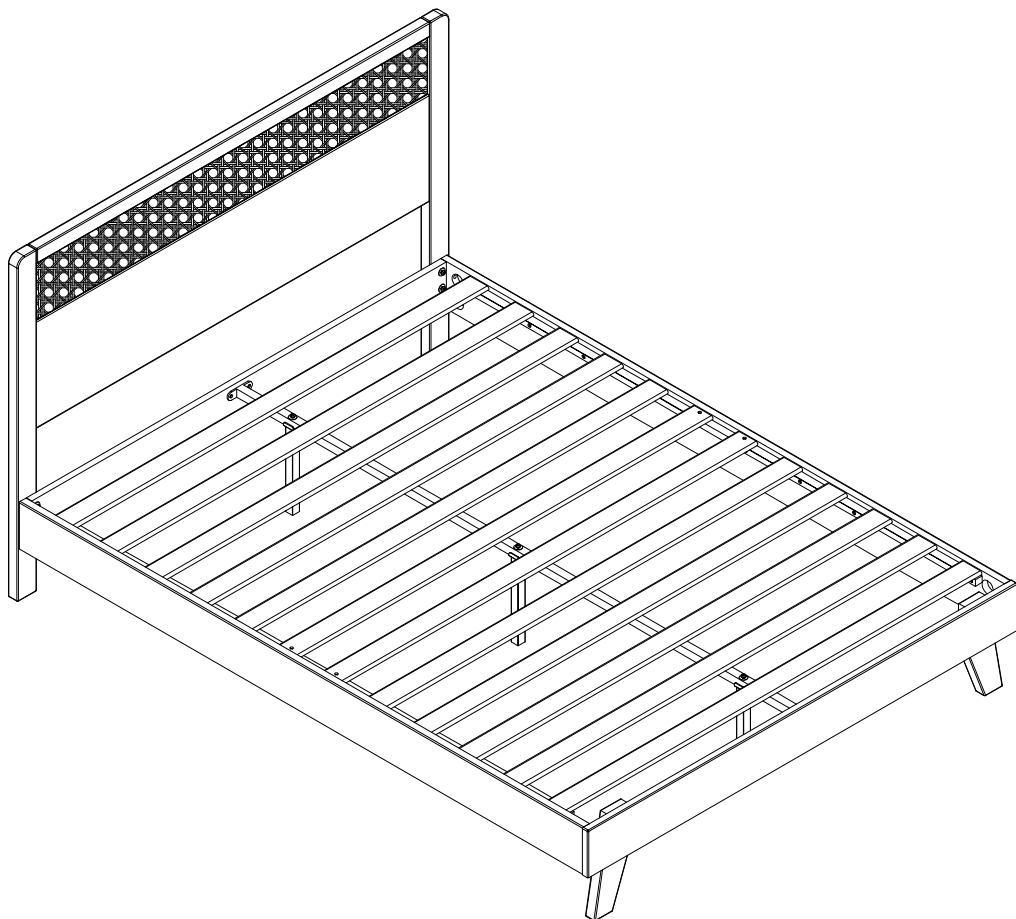
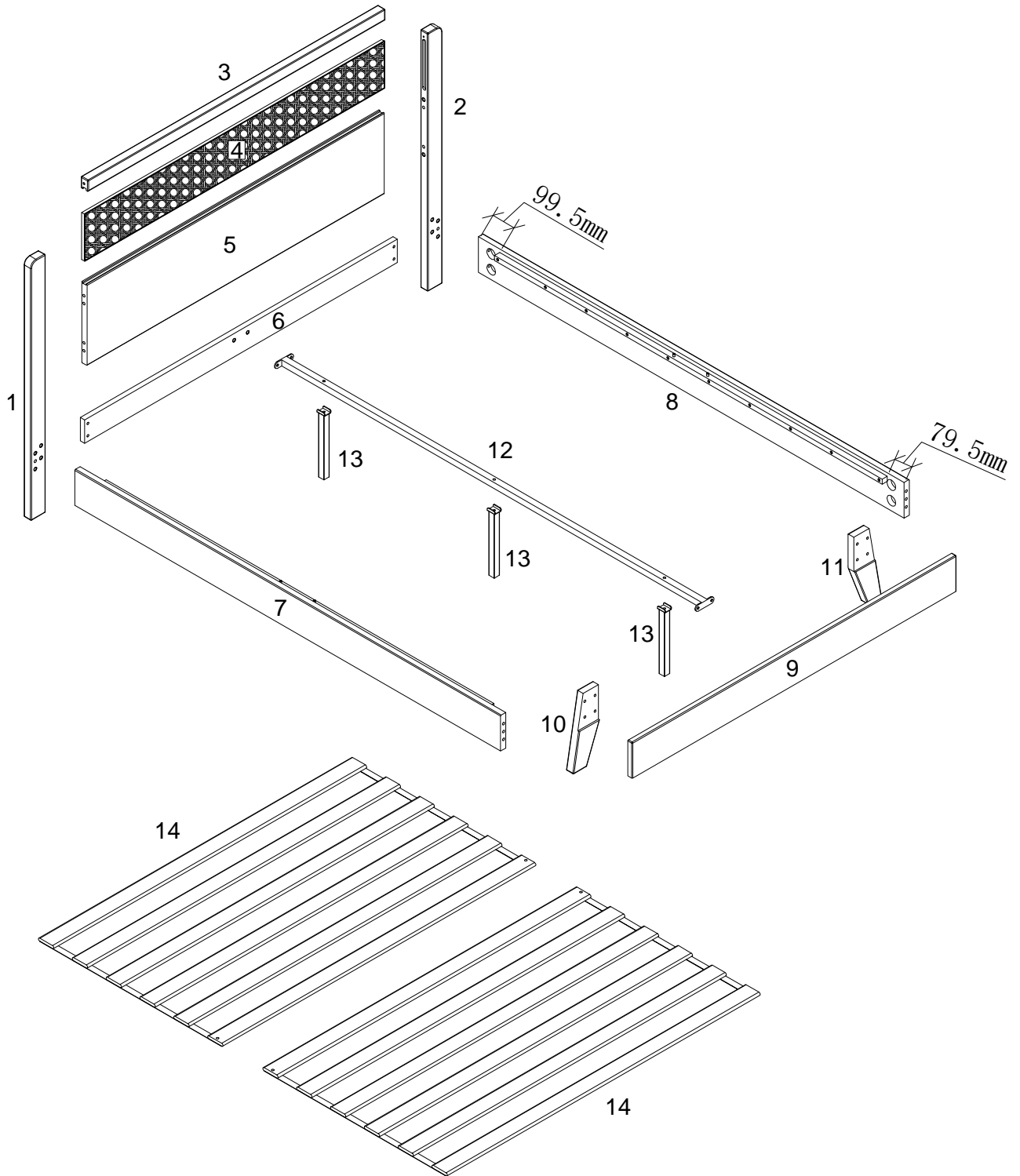


INSTALLATION INSTRUCTION

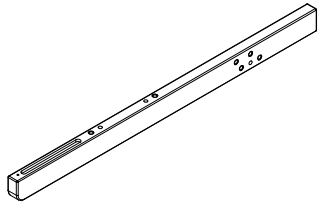
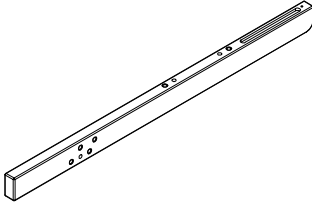
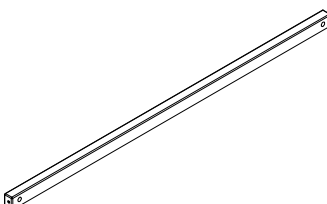
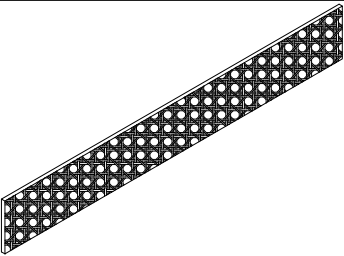
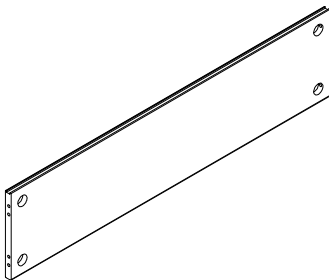
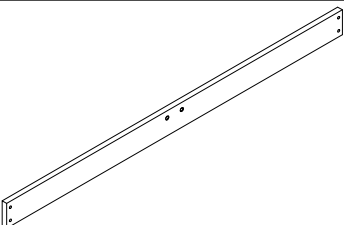
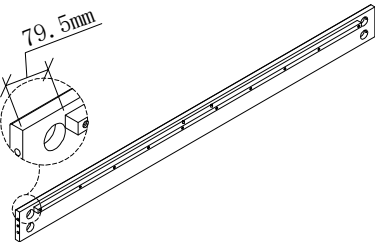
Black

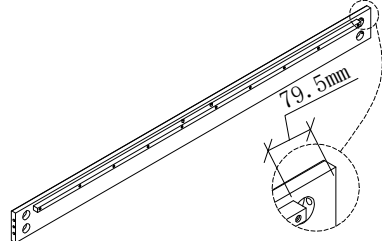
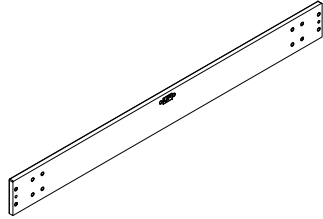
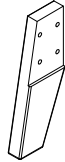
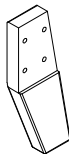
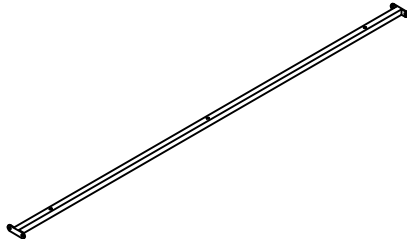

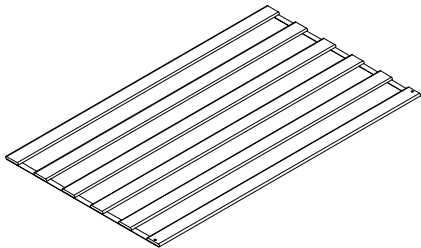
Caution: Read owner's manual completely before assembly and use.



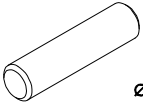
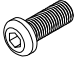
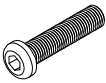
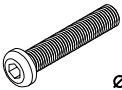

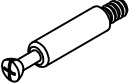



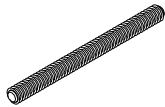
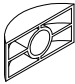
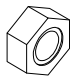

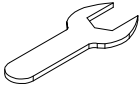
Parts :

	PARTS	Q'TY
1		01
2		01
3		01
4		01
5		01
6		01
7		01

	PARTS	Q'TY
8		01
9		01
10		01
11		01
12		01
13		03
14		02

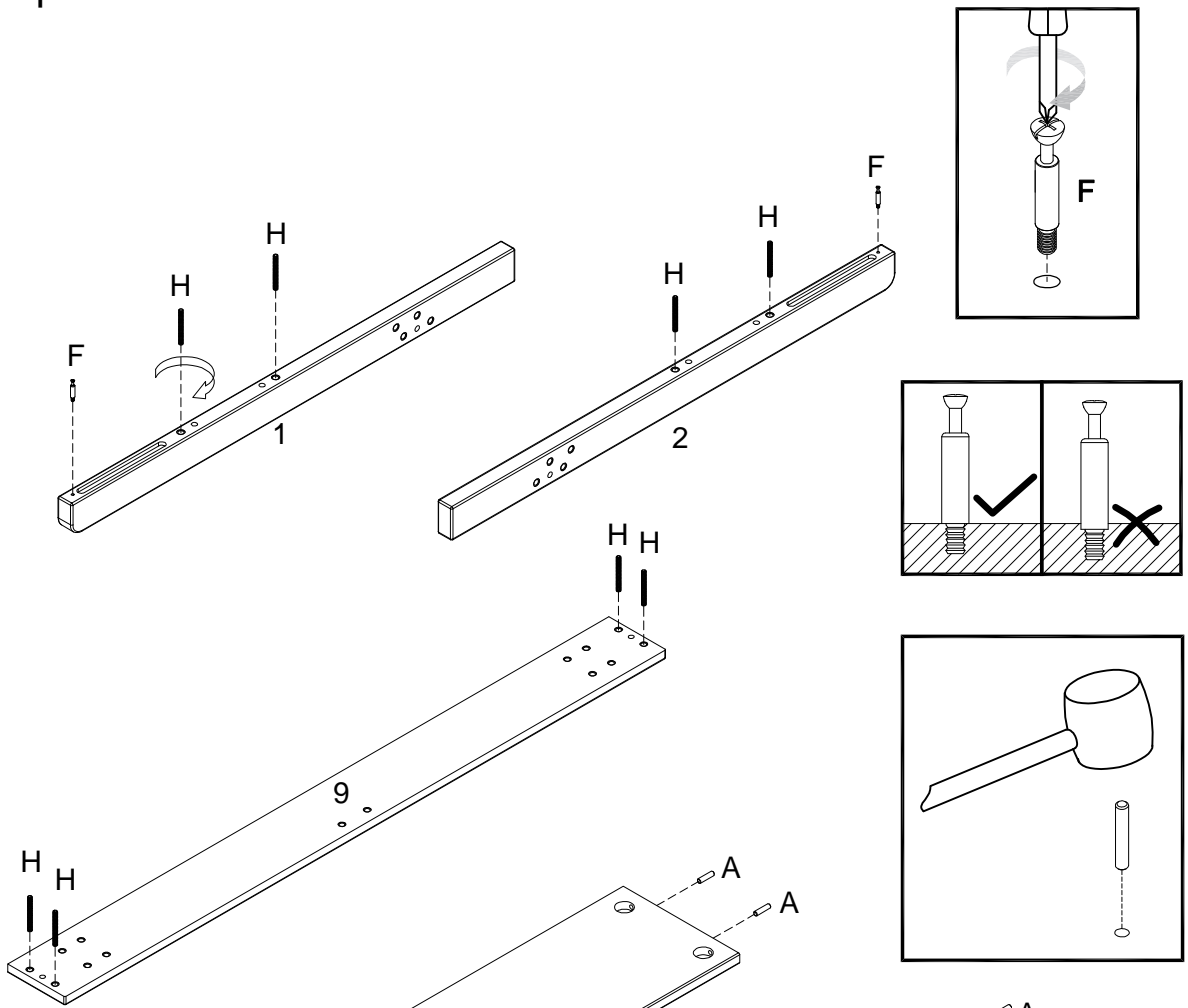
Hardware:

	HARDWARE	Q'TY	SPARE
A	 $\varnothing 10 \times 40$	08	1
B	 $\varnothing 8 \times 20$	04	0
C	 $\varnothing 8 \times 35$	07	1
D	 $\varnothing 8 \times 40$	08	1
E		19	2
F	 D15	02	0
G	 D15	02	0

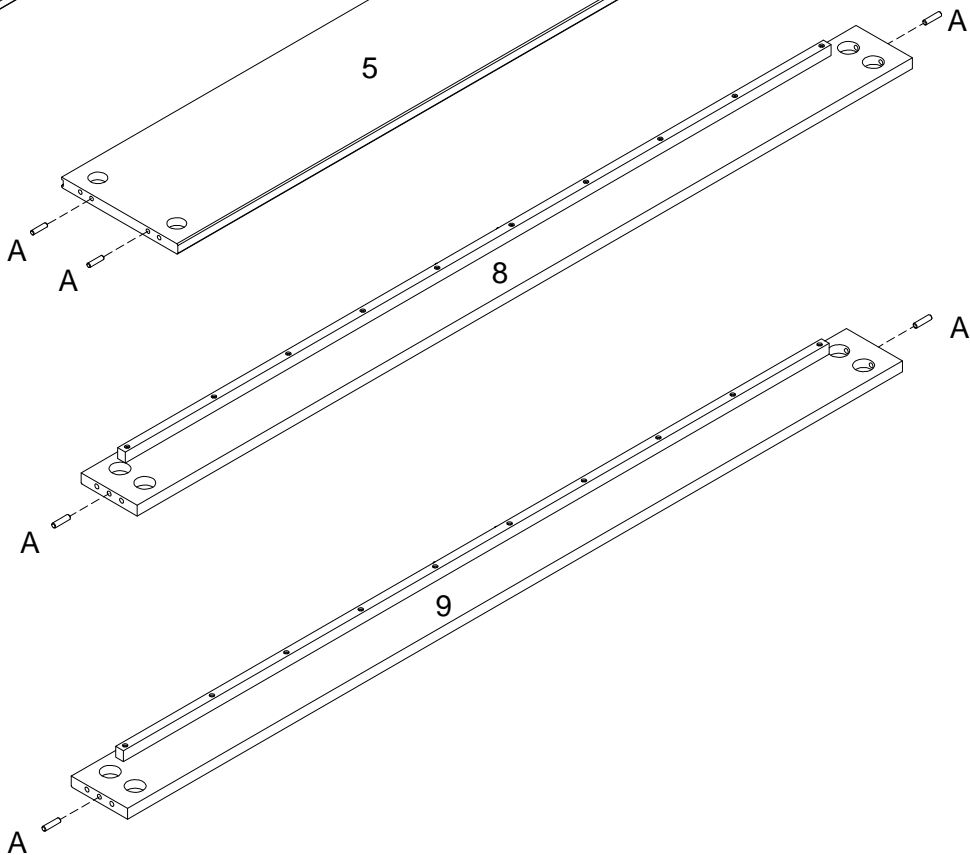
	HARDWARE	Q'TY	SPARE
H		12	0
I		12	0
J		12	0
K		01	0
L		01	0

Step By Step Assembly Instructions

Step 1 :

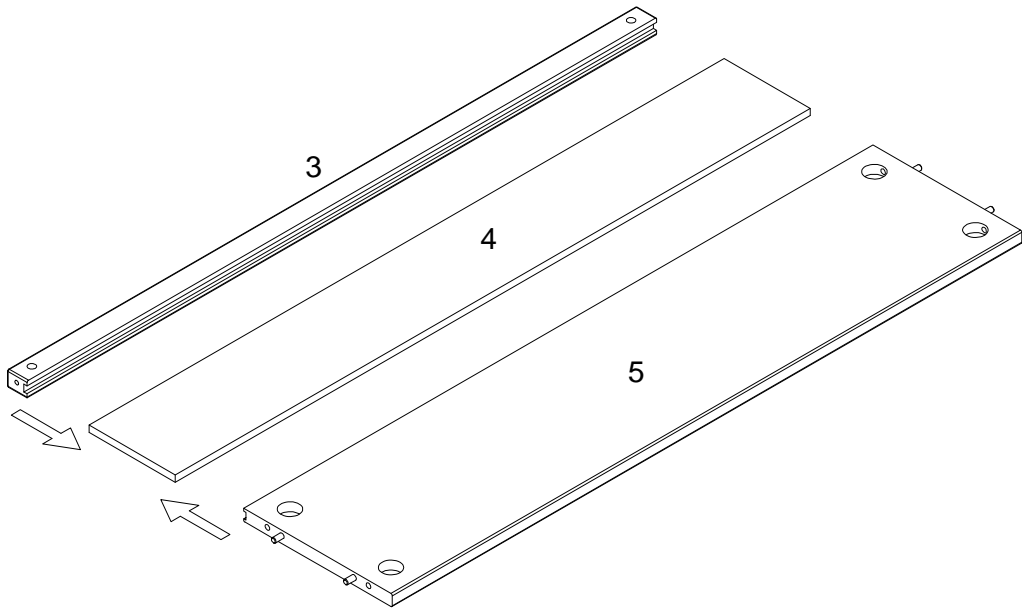


Step 2 :

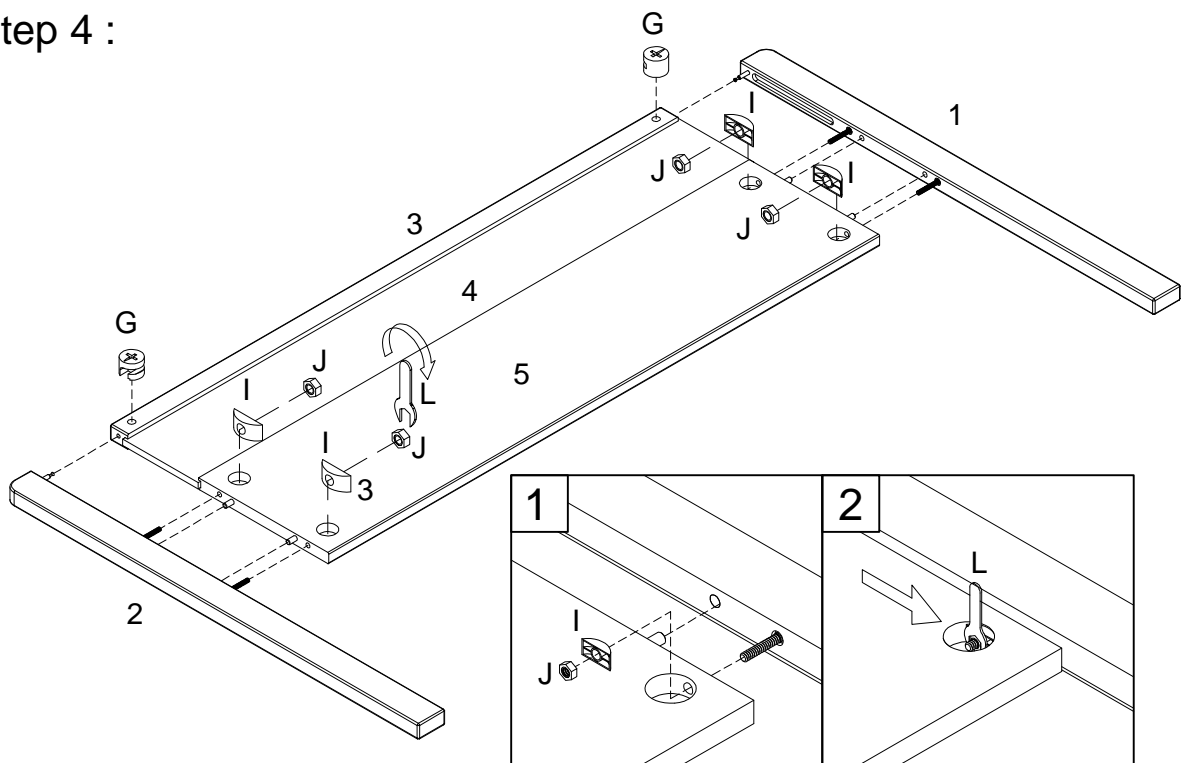


Step By Step Assembly Instructions

Step 3 :

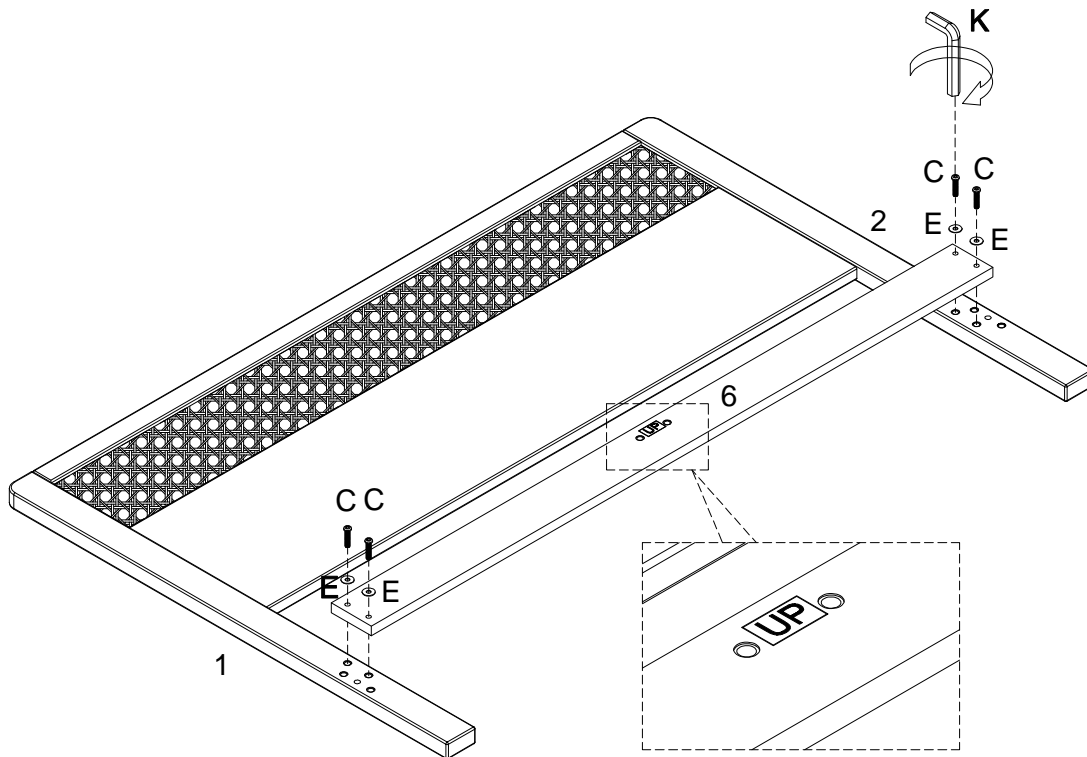


Step 4 :

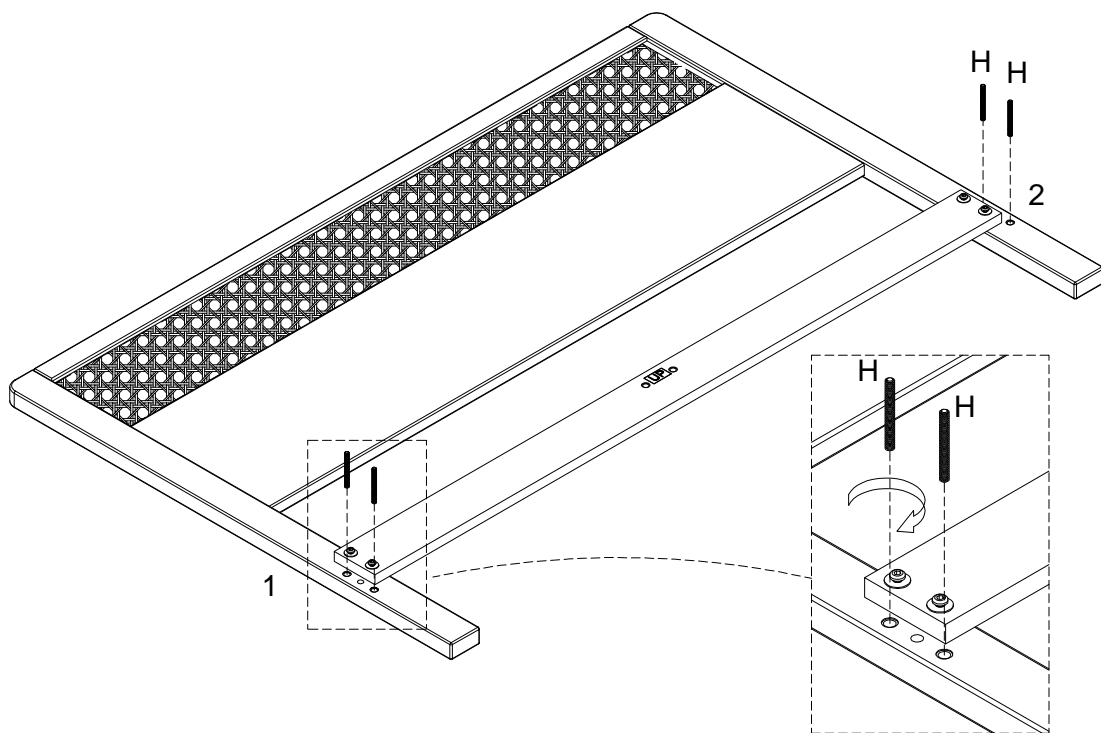


Step By Step Assembly Instructions

Step 5 :

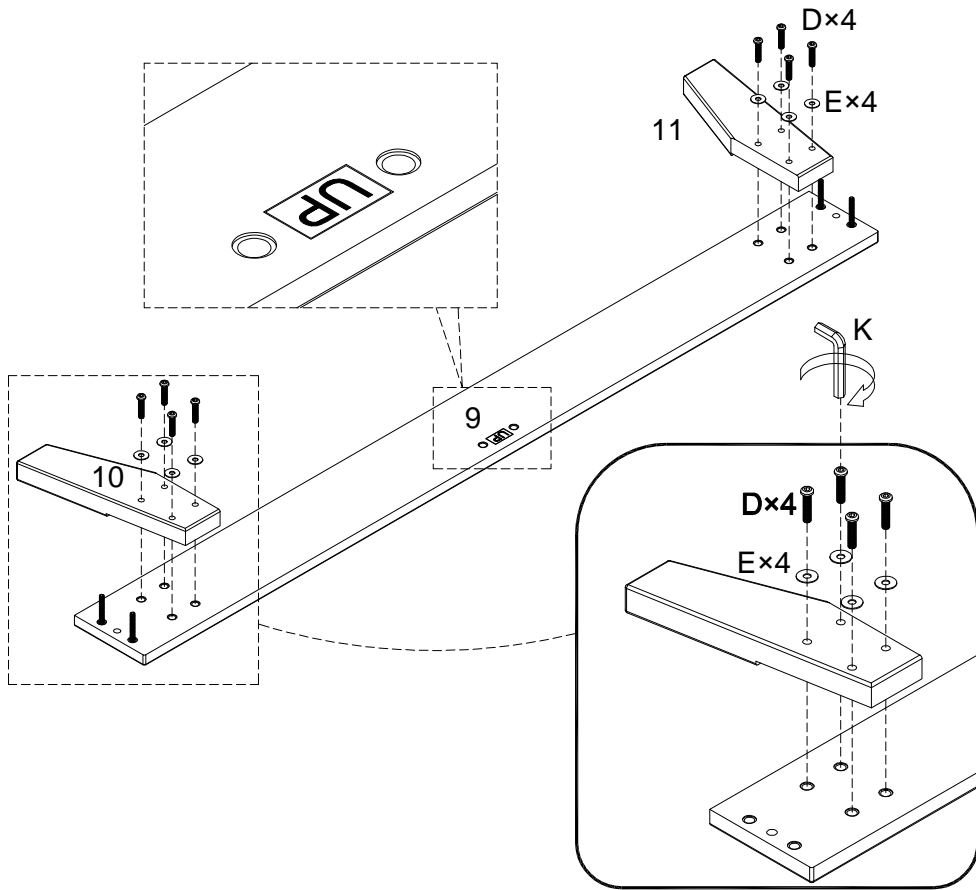


Step 6 :

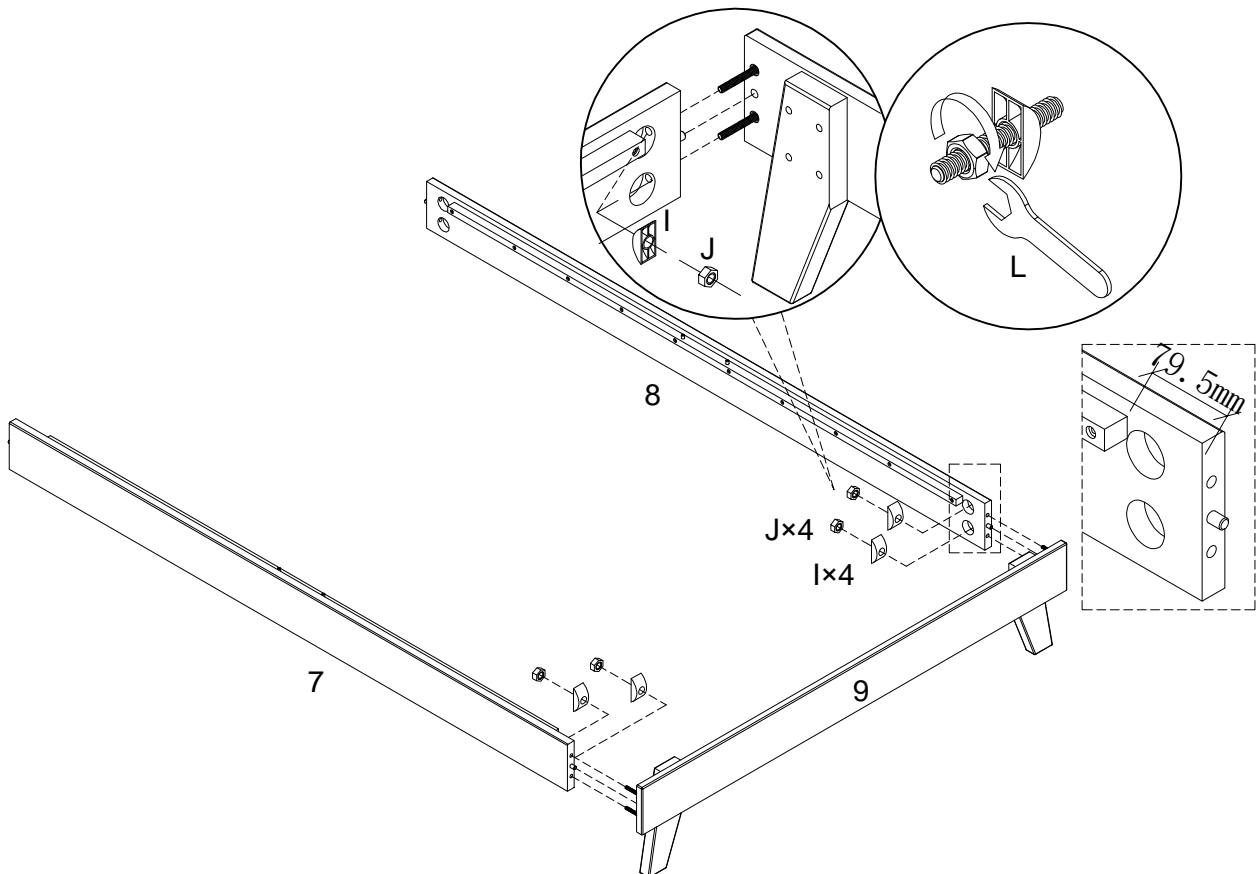


Step By Step Assembly Instructions

Step 7 :

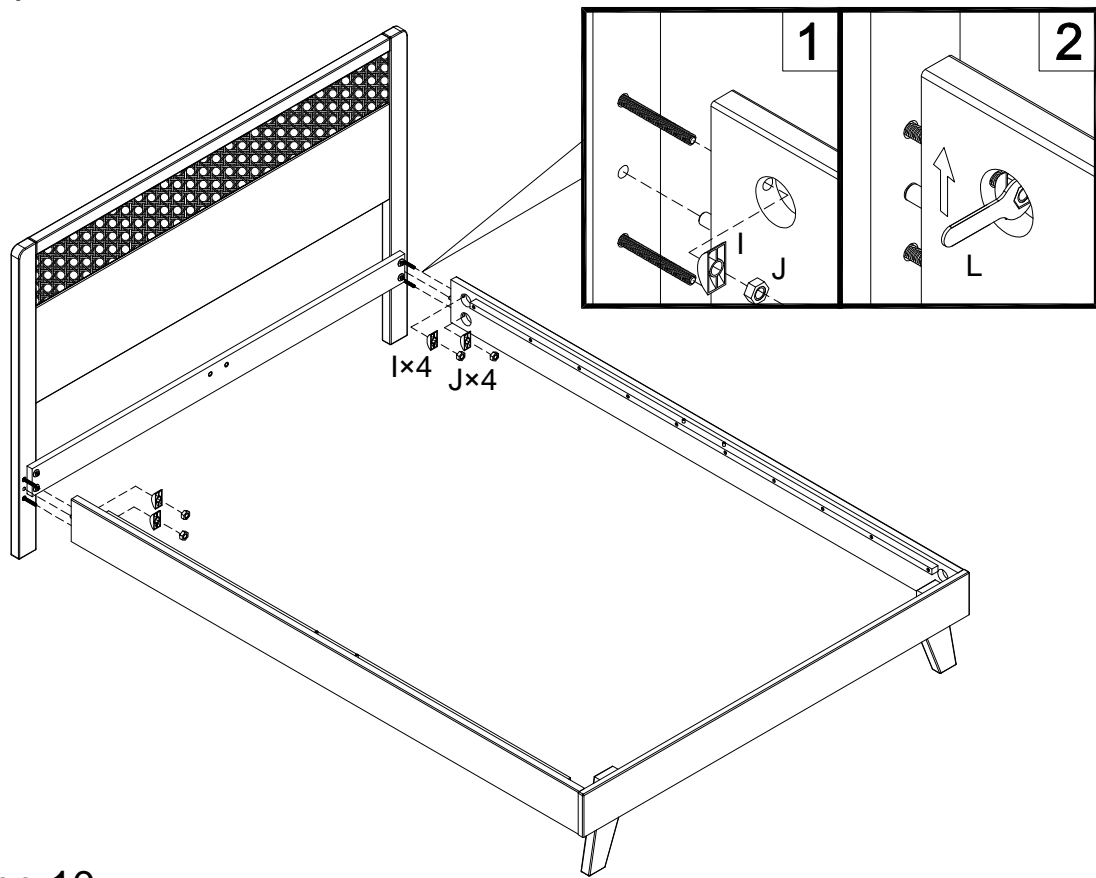


Step 8 :

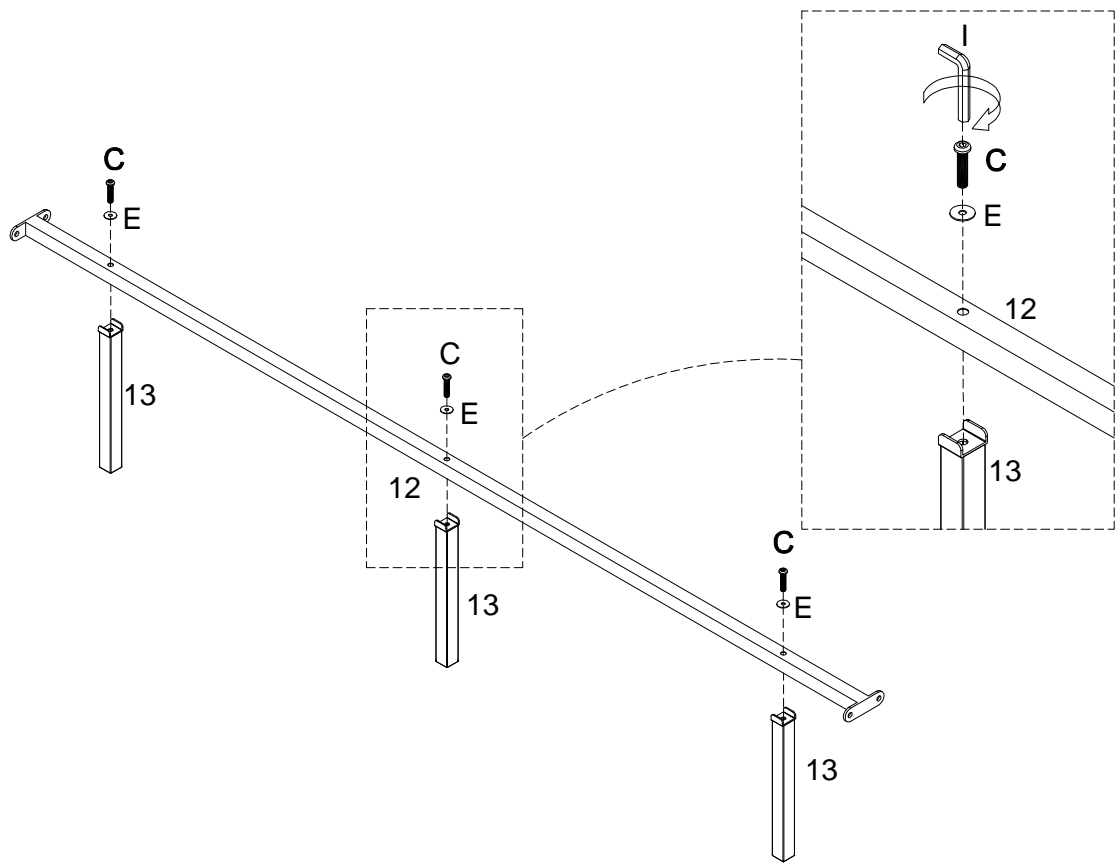


Step By Step Assembly Instructions

Step 9 :

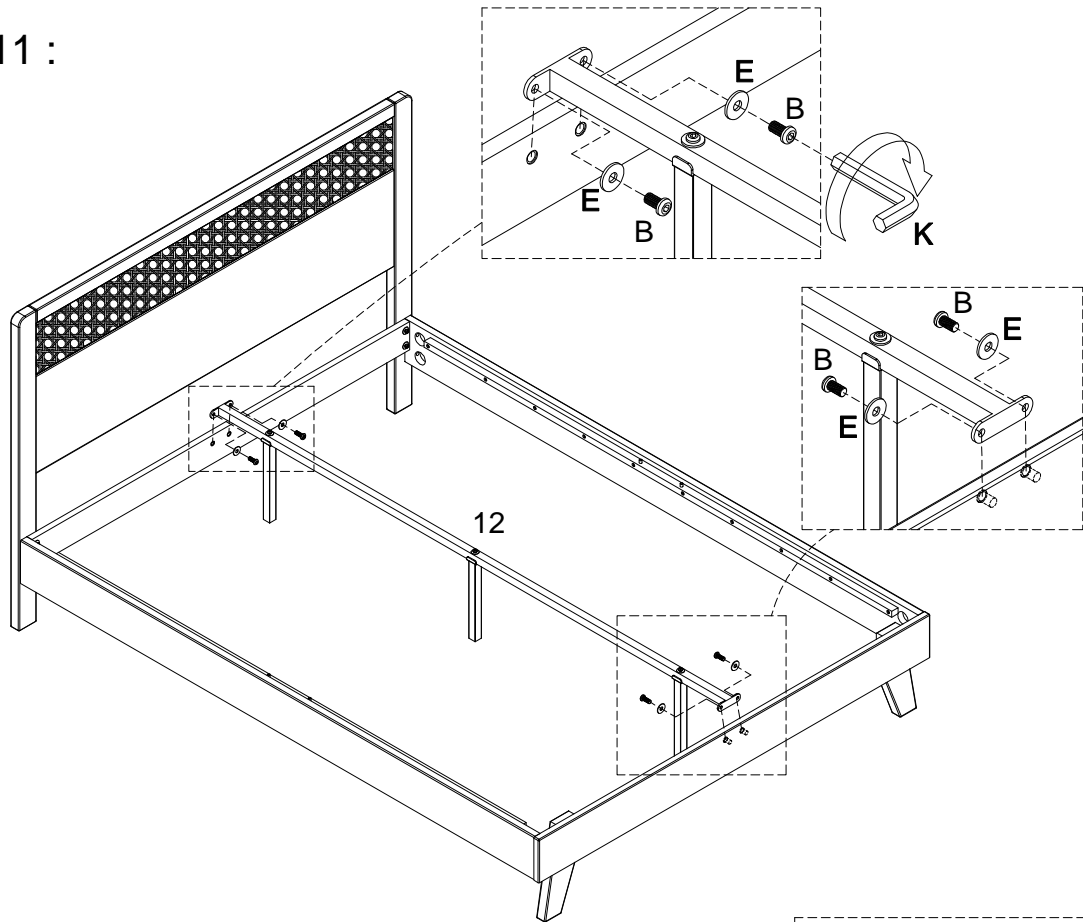


Step 10 :

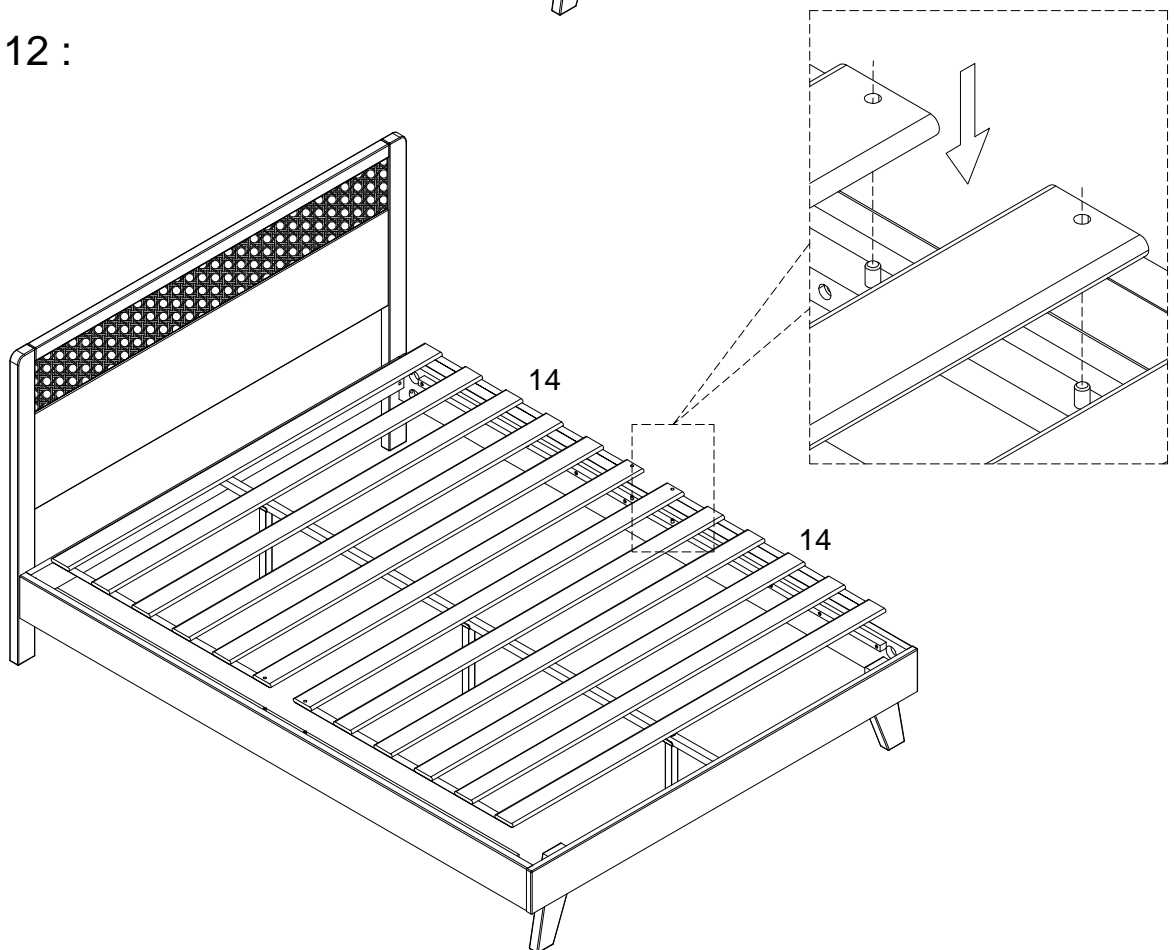


Step By Step Assembly Instructions

Step 11 :

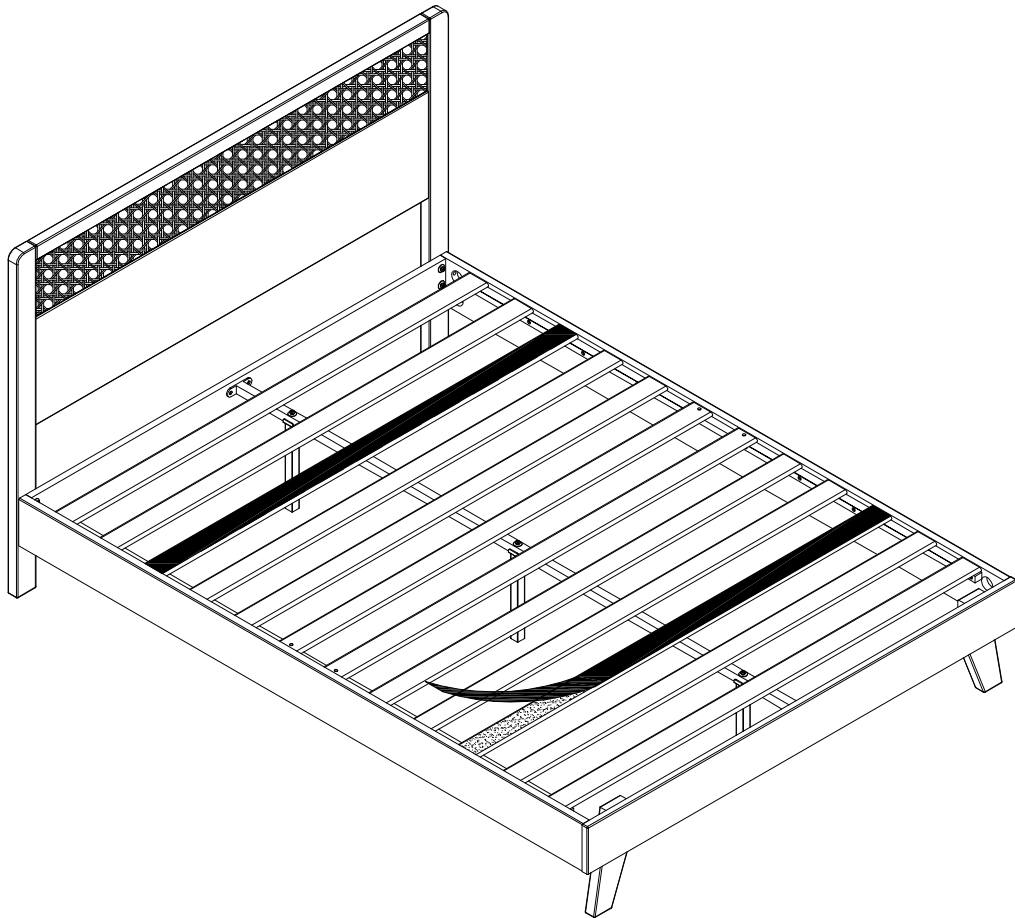


Step 12 :



Step By Step Assembly Instructions

Step 13 :



**Please peel off the upper strip
Non-slip tape keep your mattress in place**

Warning!

When the assembly bed needs to move, it can't be directly pushed and pulled. First of all, the foot of the bed should be lifted off the ground and then moved. Otherwise, the support rod in the middle of the bed can be crooked or broken .