
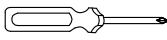
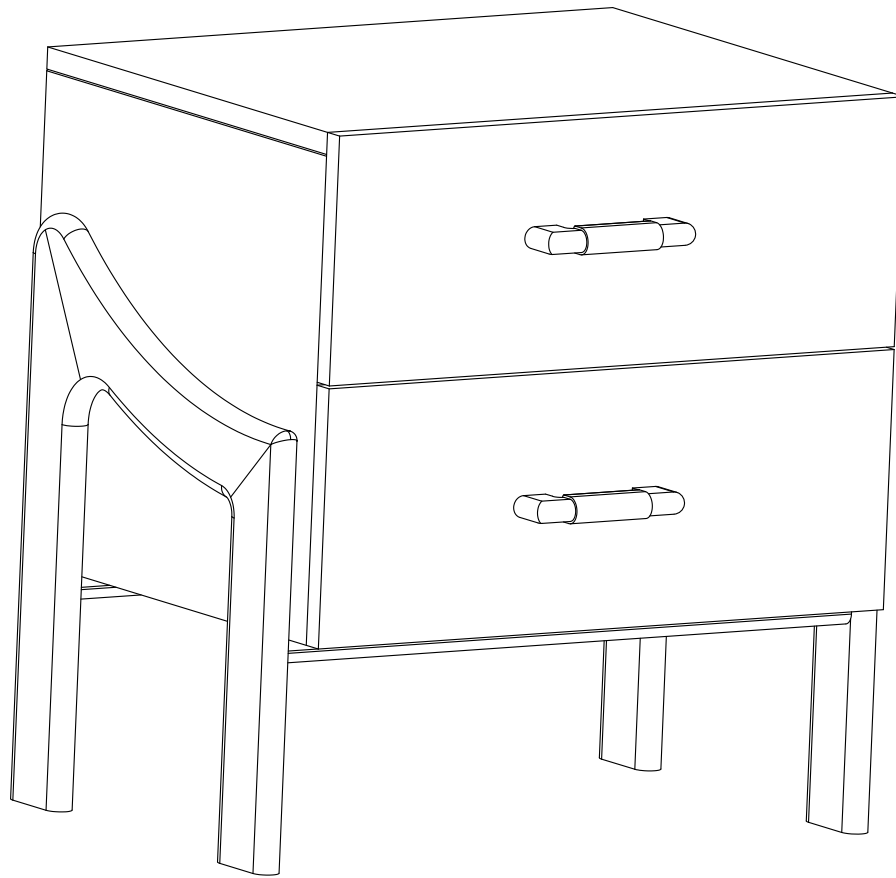
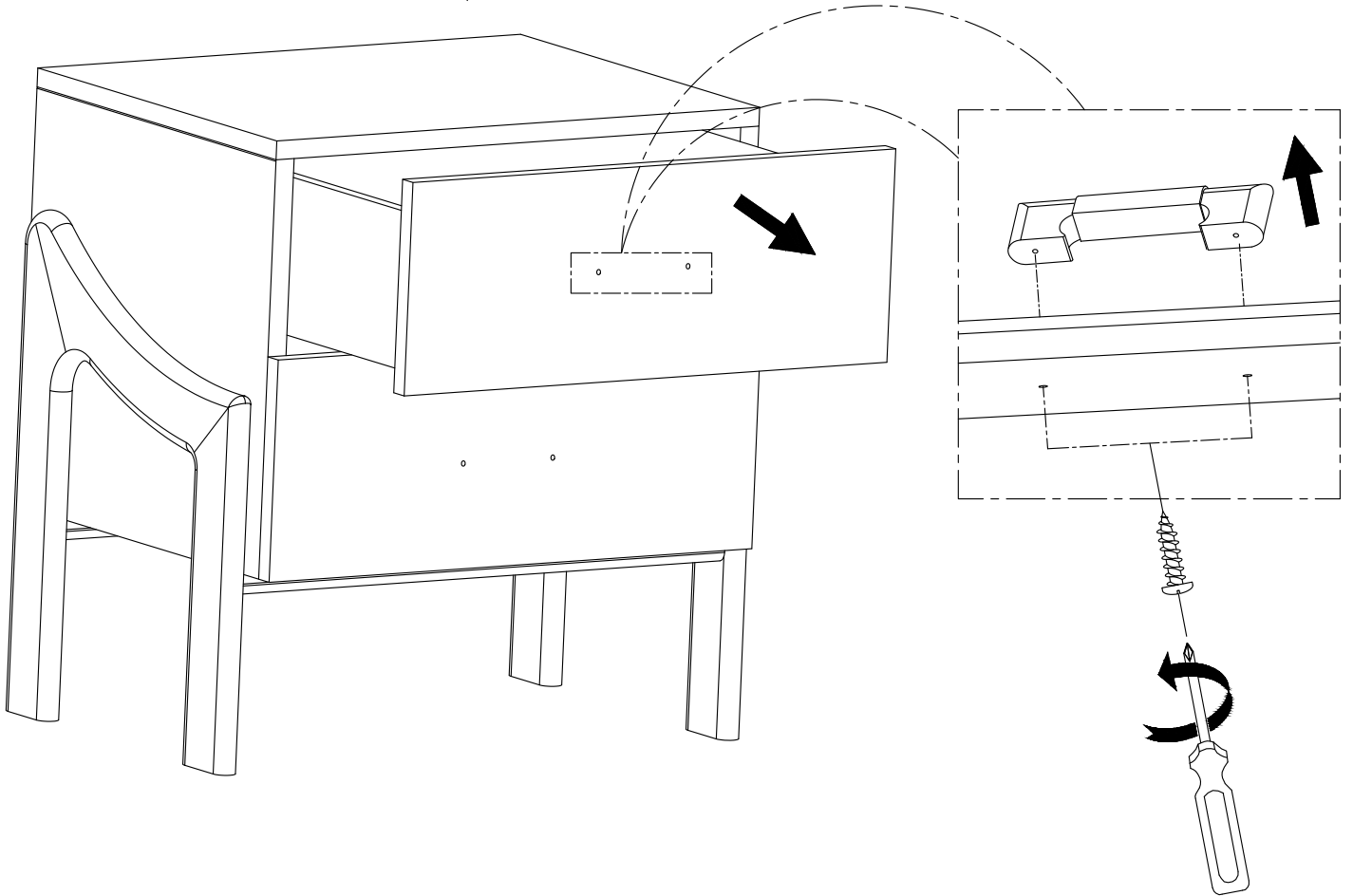
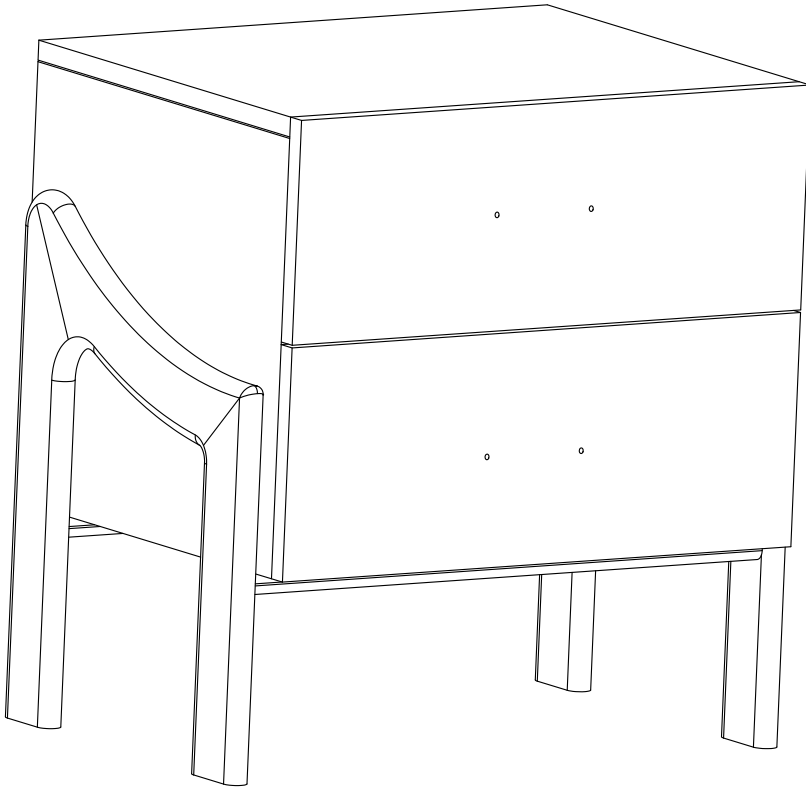
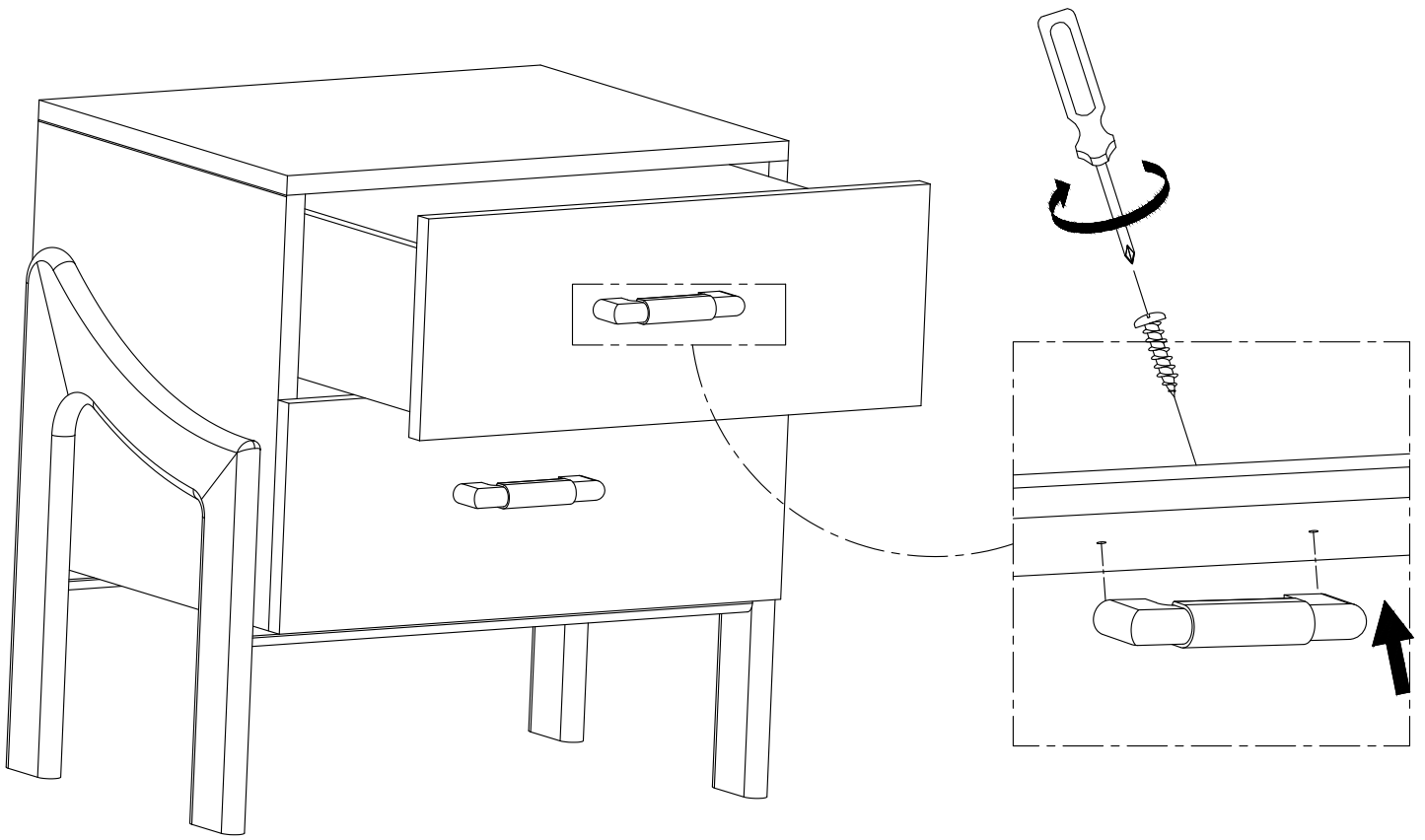


ASSEMBLY INSTRUCTION FOR NIGHTSTAND

A		Tipping Hardware	1 SET
B		Screwdrivers (Not included)	







Tipping Hardware

