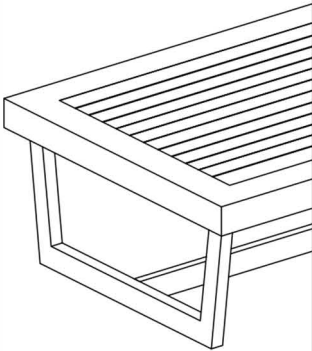


Owner Manual



WARRANTY

We strive to offer high quality product and we also try our best to satisfy each customer that order from us, no matter on products or services as needed. Each customer receives a record of their order, such as the order number or item receipt. For any items that are out of warranty period, you may still be able to purchase the replacement parts from our company if they are available.



Are you having difficulty
with assembly? Missing parts?

For return, please check the return policy with the retailer or platforms you bought from. Appreciate your purchasing from us.

Pop up your life by our furniture !

MAINTAINANCE AND WARNING

Please read the manual thoroughly
before you start installing.

Please keep the product away from
sharp object.

Packaging and small parts may have
chocking hazard, please keep them away
from children and pets.

Please clean the product according to each
clean code, check the product description
for more information.

Please keep the product away from
fire.

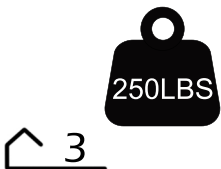
If you have any other questions, please
contact us, we will be glad to help you out.

If the product is placed under direct
sunlight, the pattern or color might fade
away overtime.

Check the product periodically to make
sure everything is secured and tightened.

Always use proper tools for installation.

Do not jump on the product.



Around 25 min

PRODUCT DESCRIPTION

Specifically designed for outdoor use, this table's solid wood construction ensures it can handle a variety of weather conditions with ease.

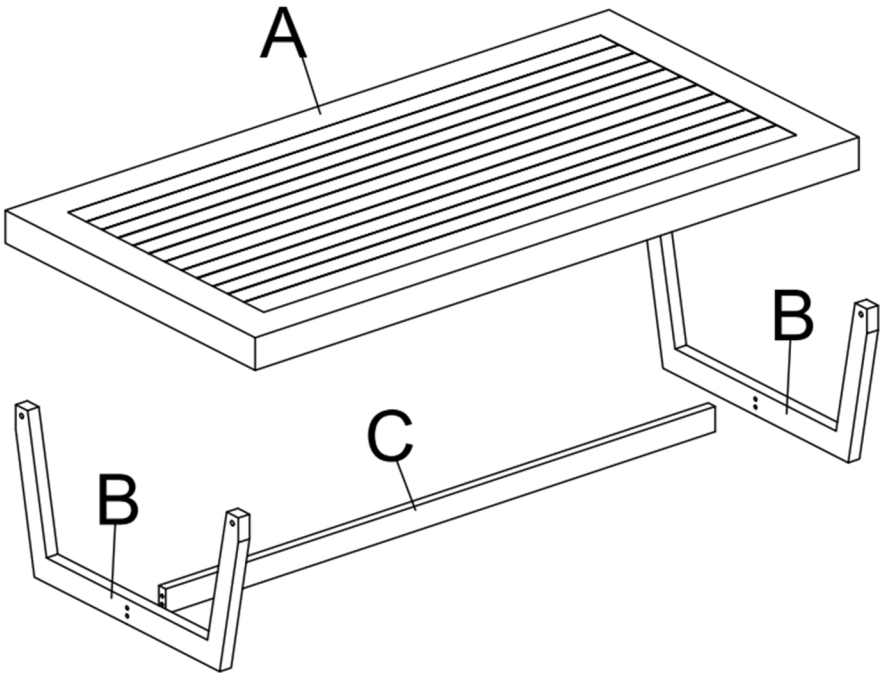
The strong, durable wood construction allows for consistent use, making it perfect for both casual coffee breaks and full outdoor meals.

Whether you're entertaining guests or enjoying a quiet moment alone, this table offers plenty of space and support for all your needs.

Its functional design and sleek look make it a stylish addition to any patio or backyard, adding an element of sophistication.

Perfect for hosting family gatherings, weekend BBQs, or simply unwinding with friends, this table offers both comfort and elegance.

EXPLODED VIEW



PARTS

Ax1

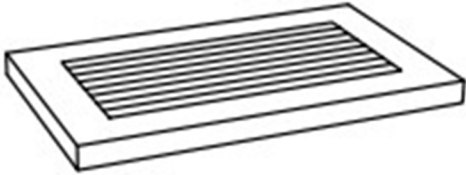


Table top

Bx2



Table legs

Cx1



Connecting crossbar

HARDWARE

TOOL LIST

NOTE: Designated with (★) We provide additional spare parts in the hardware package

①x4



★ M6*45mm

②x4



★ M6*30mm

③x1



Allen wrench

④x4



★Flat head Nuts

⑤x4

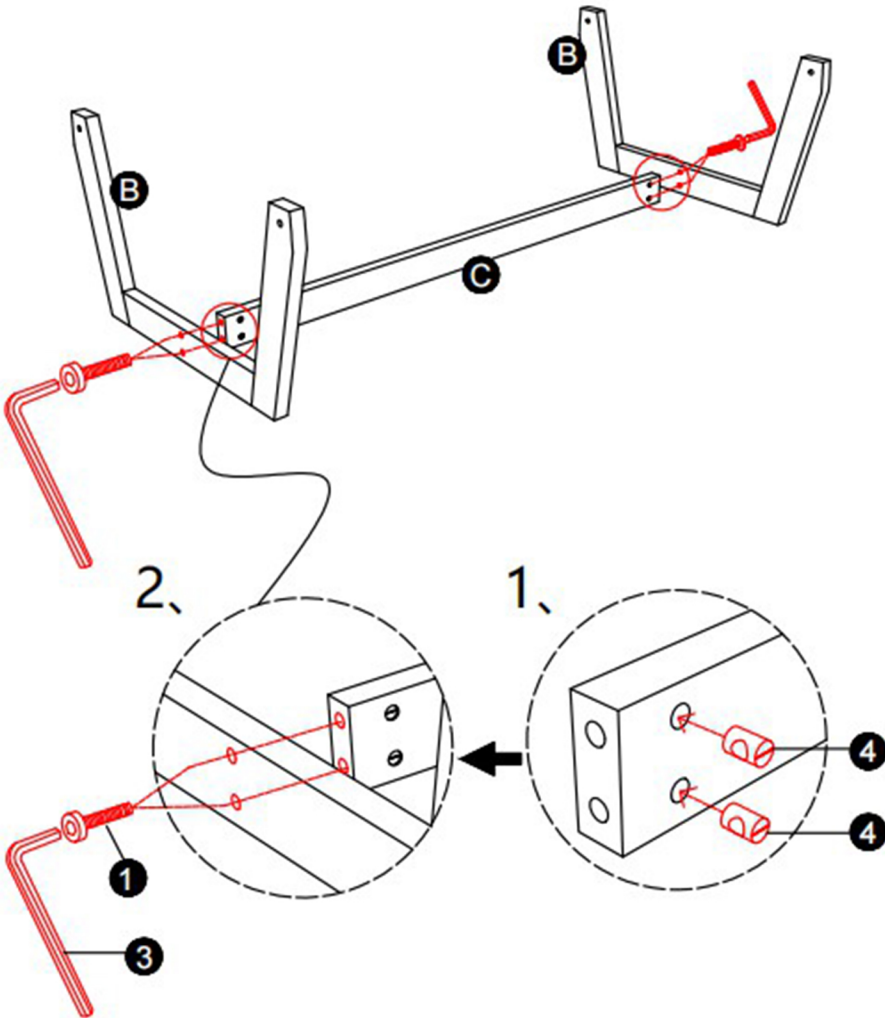


★Plastic caps

Please make sure all hardware&packing material fitting the list. Especially some small accessories may be missing during transportation. Please contact us if you have any question.

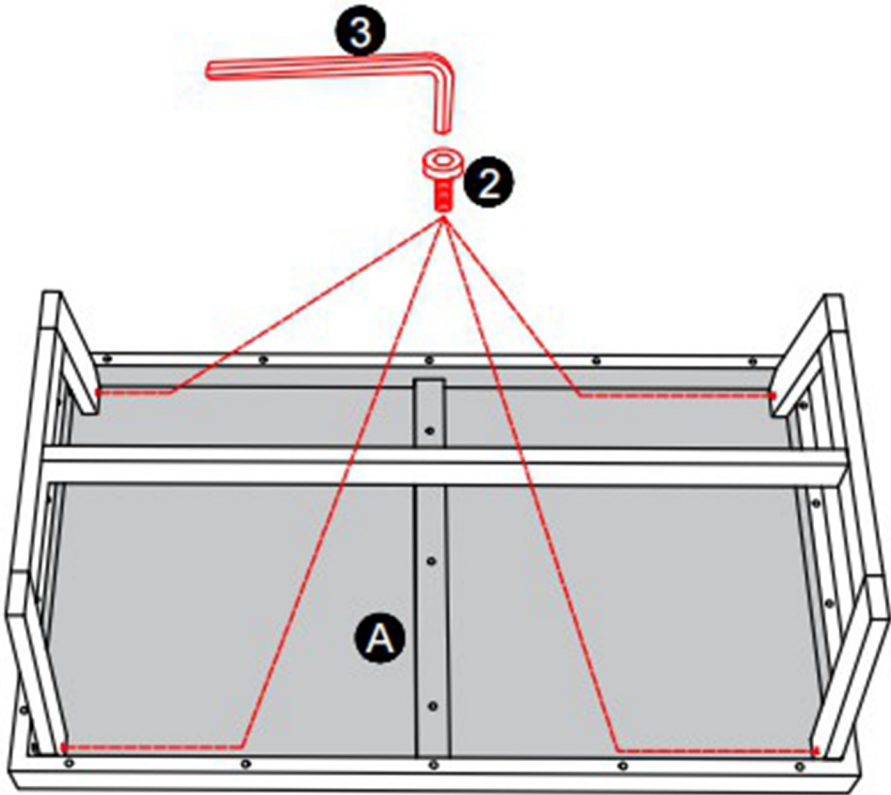
step 1

Insert the flat-head nuts(4) into the holes of the connecting crossbar (C). Connect the two table legs (B) to the connecting crossbar (C) using bolts (1) and an Allen wrench (3) to secure them firmly.



step 2

Turn the table top (A) upside down on a clean and flat surface. Place the assembled table leg frame (from Step 1) into the corresponding slots on the bottom of the table top. Secure the connection using bolts (2) and an Allen wrench (3).



step 3

Cover the screw holes with plastic caps (5).

