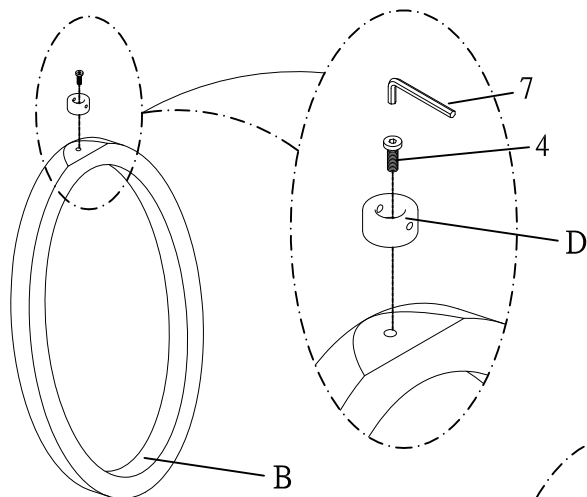


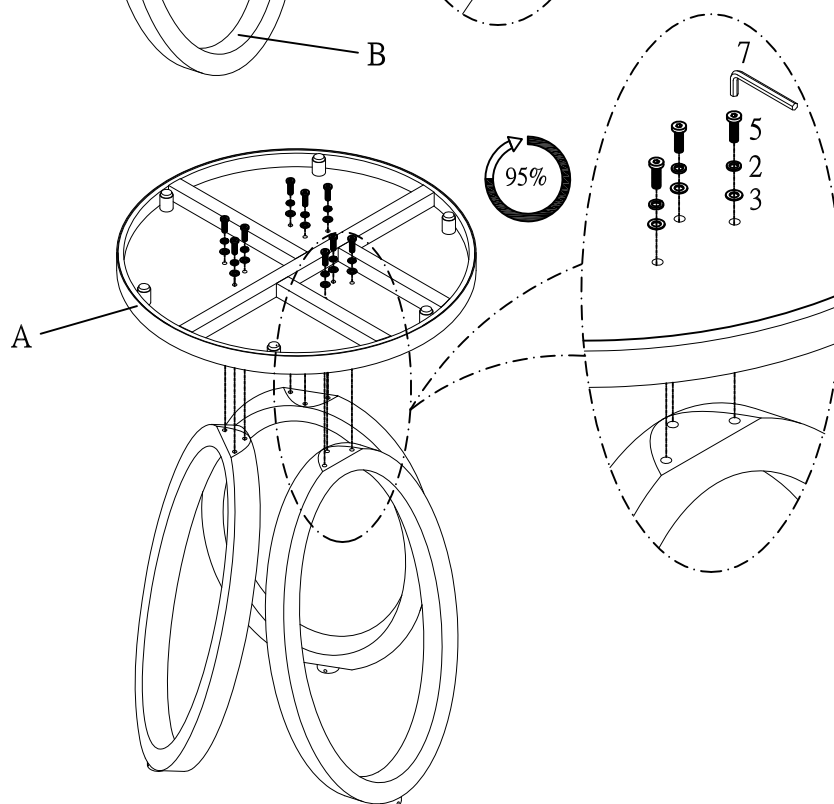
THANK YOU FOR PURCHASING THIS QUALITY PRODUCT.

BE SURE TO CHECK ALL PACKING MATERIAL CAREFULLY FOR SMALL PARTS THAT MAY HAVE COME LOOSE INSIDE THE CARTON DURING TRANSIT.

Step 1



Step 2



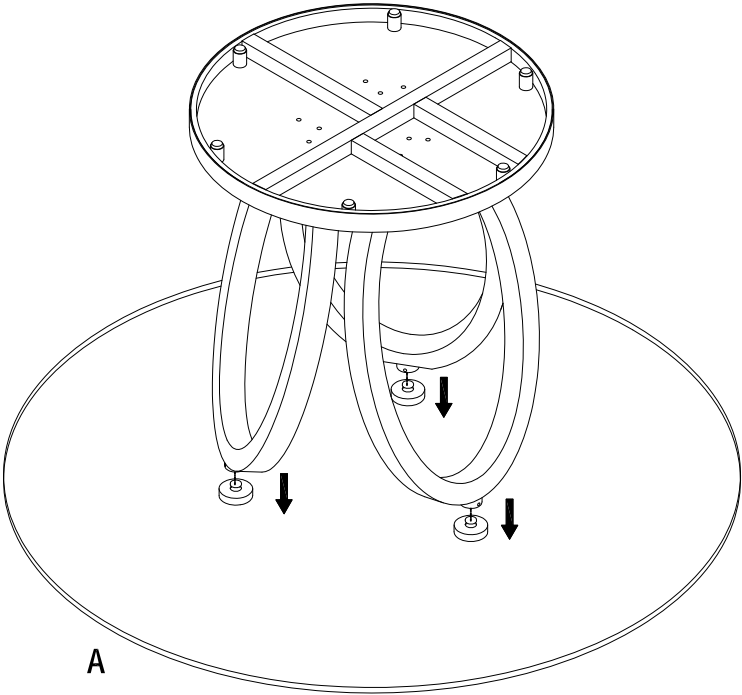
HARDWARE LIST:

NO	DESCRIPTION	SIZE(mm)	SKETCH	QTY
1	SHORT SCREW	M6x15		6PCS
2	SPRING WASHER	M8		9PCS
3	WASHER	M8		9PCS
4	BOLT	M8x15		3PCS
5	BOLT	M8x30		9PCS
6	ALLEN KEY	3		1PC
7	ALLEN KEY	5		1PC

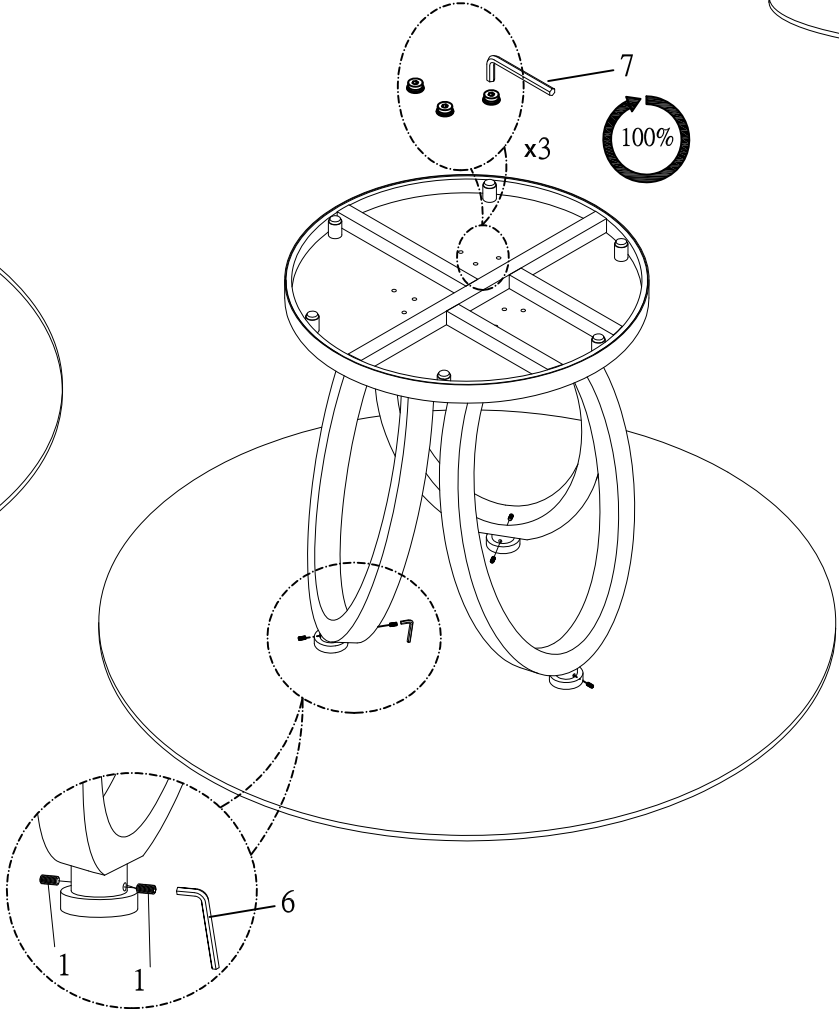
PARTS LIST:

NO	DESCRIPTION	SIZE(mm)	SKETCH	QTY
A	GLASS TOP	ø1300xt12		1PC
B	POLE	718x420x48		3PCS
C	BASE	ø650x40		1PC
d	ALUMINUM	ø40xt20		3PCS

Step 3



Step 4



FINISHED

