



**ETL Listed**

**DOE**

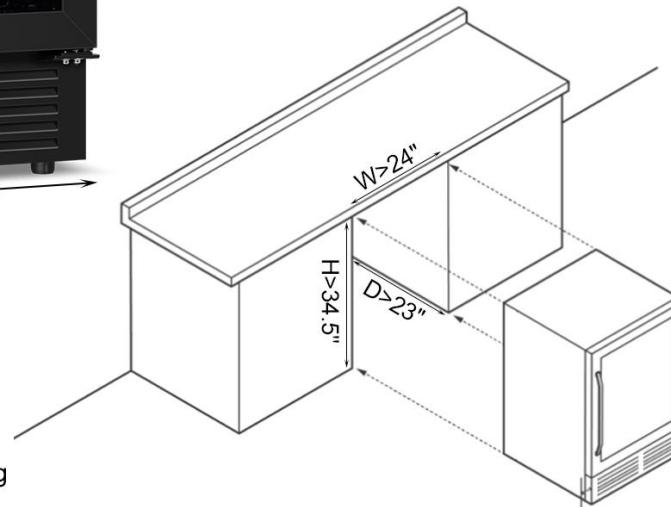
**DOE Certified**



70" Power Cord



110-120V 3-Prong Plug



Allow at least 1/4" (6.35 mm) space on each side and at the top for built-in