




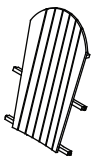
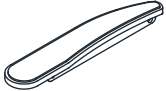
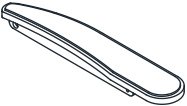

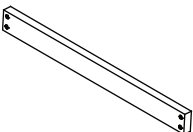
TEAK ADIRONDACK CHAIR

Assembly Instructions

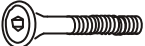
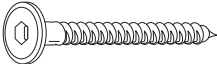






Every thing we make is incredibly simple to set up, including your new chair. You won't need any additional tools.

Parts List

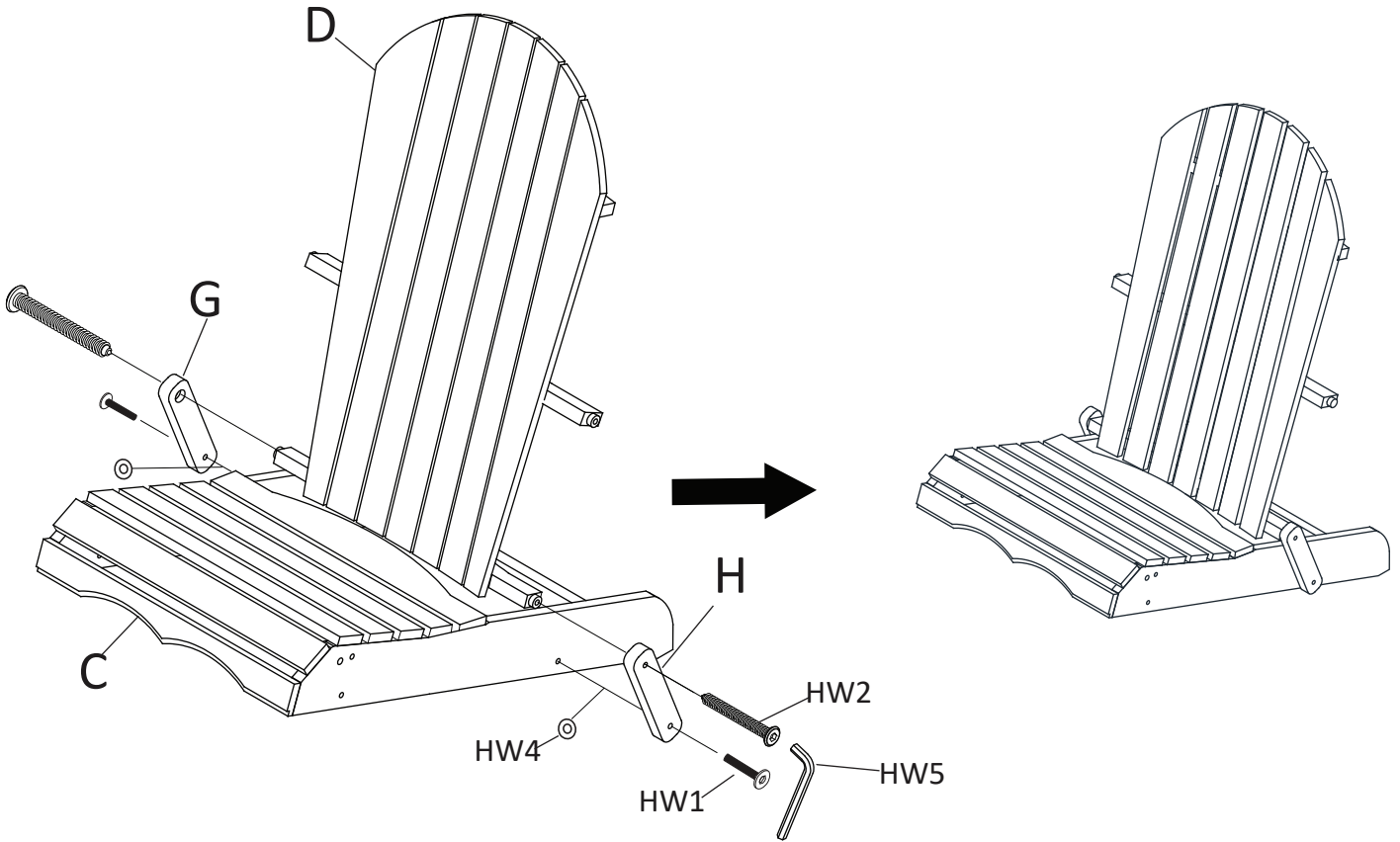
- A x 1
Right leg Panel 
- B x 1
Left leg Panel 
- C x 1
Seat panel 
- D x 1
Back panel 
- E x 1
Right Armrest Panel 
- F x 1
Left Armrest Panel 
- G x 2
Back panel swivel Support 
- H x 1
Support Bar 

Hardware List

- HW1 x 6
Allen Bolt: M8x0.5x40 mm 
- HW2 x 4
Allen Screw: M6x0.5x60 mm 
- HW3 x 4
Screw: M4x40 mm 
- HW4 x 6
Washer: M8.5/20x1.5 mm 
- HW5 x 1
Allen key 
- HW6 x 1
Screw Driver 
Not Provided

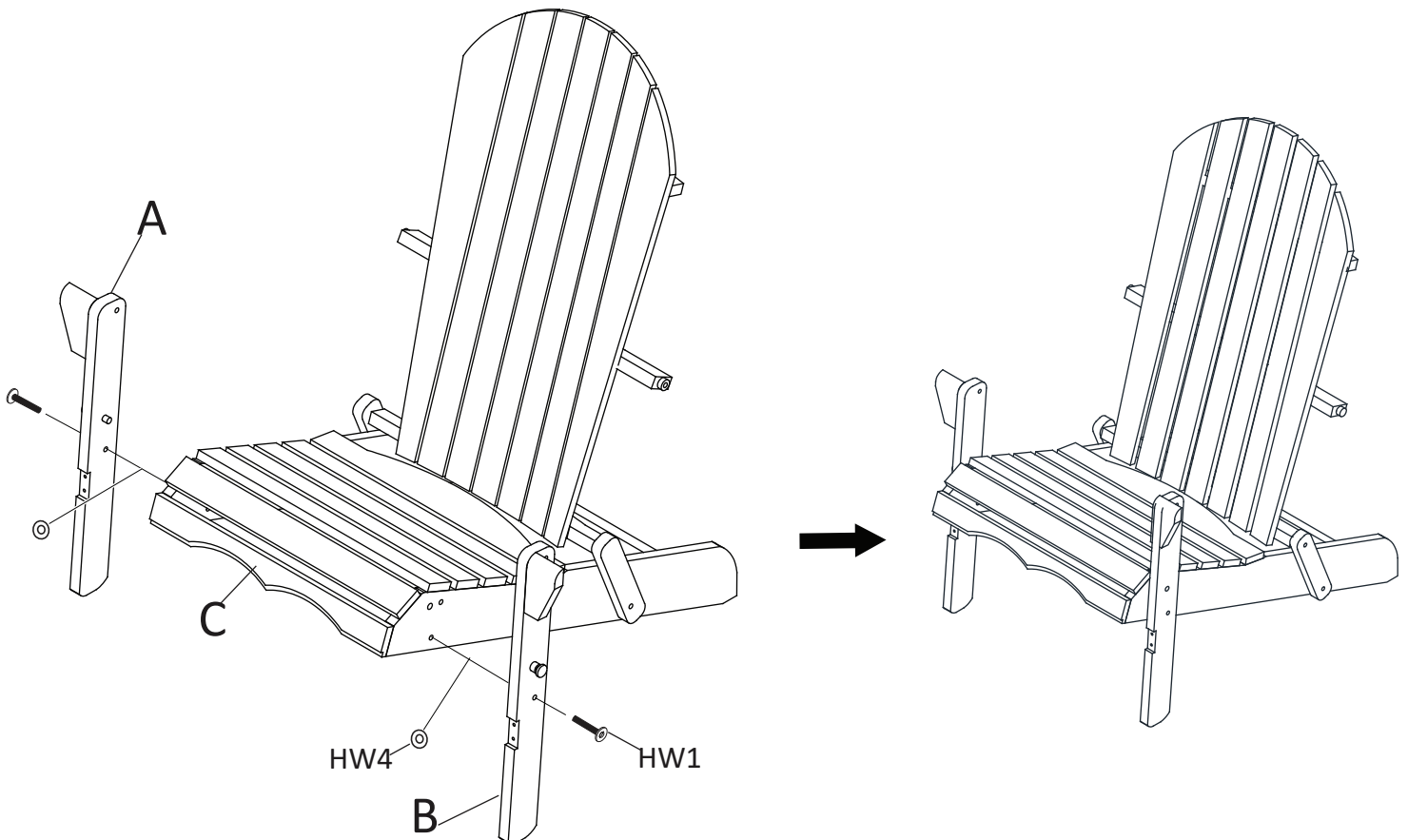
1

Attach Back Panel (D) to Seat Panel (C) in the spots shown below. Attach Back panel swivel Support (G) to Seat Panel (C) and Back panel(D) Use Screws (HW2) ,Bolt (HW1) and Washer (HW4) tighten with Allen Key (HW5)

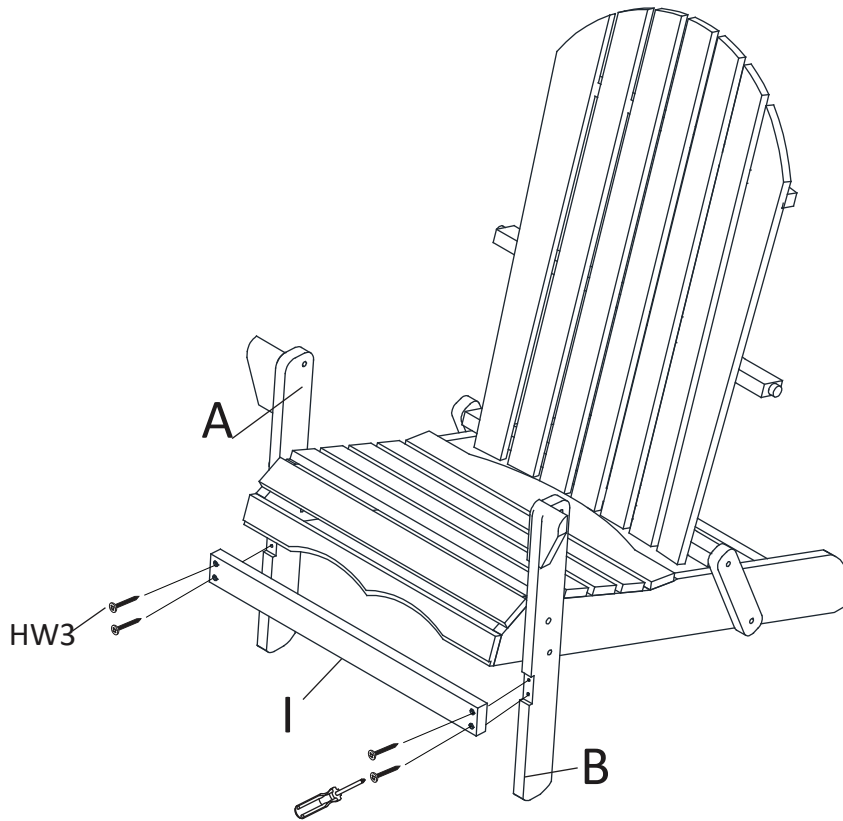


2

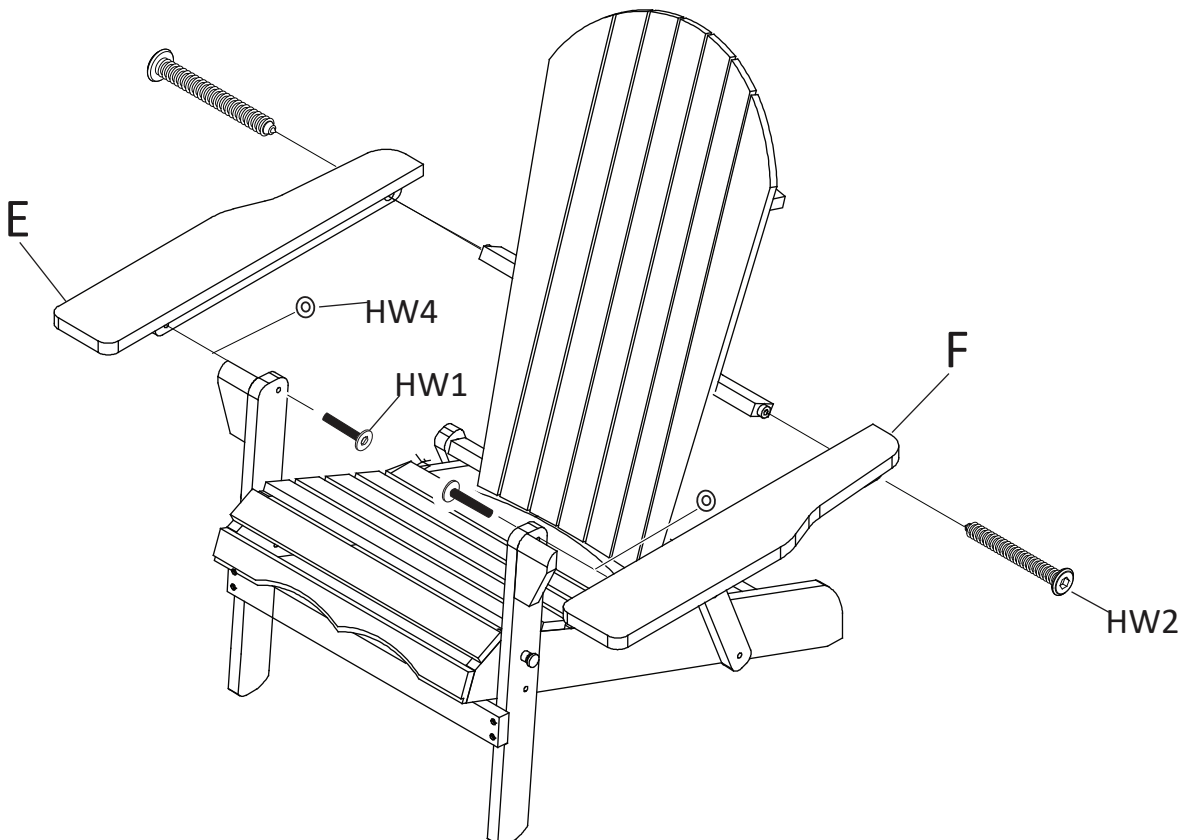
Attach Right leg Panel (A) and Left leg Panel (B) to Seat Panel (C). Use Bolt (HW1) and Washer (HW4) tighten with Allen Key (HW5) in the spots shown below.



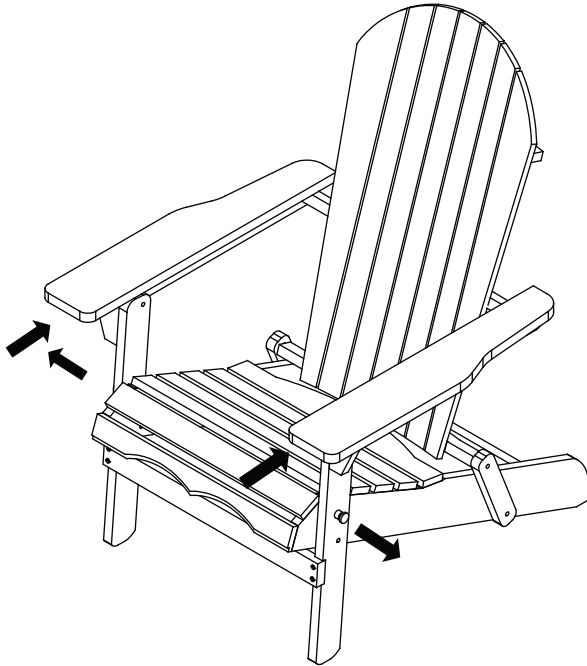
Attach Support Bar (I) to Right leg Panel (A) and Left leg Panel (B) Use Screws (HW3) tighten with Screw Driver (HW6) in the spots shown below.



Attach Right Armrest Panel (E) and Left Armrest Panel (F) to Chair.
Use Bolt (HW1) and Washer (HW4) tighten with Allen Key (HW5)
Use Screws (HW2) tighten with Allen Key (HW5) in the spots shown below.



Adirondack Chair is ready to be used



Place the chair in the place where you will use it. We'd love to see it – just tag us and use the hashtag on Instagram!

