

# PURPLE LEAF

est. 2013



## Cantilever Umbrella

Assembly and Operation Manual



**9' X 11.5'**

**E Series**

**T**hank you for your purchase of

PURPLE LEAF's Cantilever Umbrella

Read and follow this assembly and operation guide.

To avoid personal injury and damage to your umbrella,

please **close** your umbrella when it is incoming over **25 mph** wind.

We recommend a **two-person team** for assembly and disassembly.

If you like our products, please tell other customers.

If you have any problems with our products, please tell us.

**Please feel free to contact us.**



# Important

**Prior to assembly, please read the precautions below:**

## **CHOKING HAZARD:**

- This item contains small parts that can be swallowed. Keep children and pets away during assembly.

## **NOTE:**

- We recommend assembling and disassembling the umbrella with a team of two people.
- Before starting the installation, please verify the parts list to ensure you have all components. Do not dispose of any packaging or boxes until assembly is fully completed.

## **LOCATION:**

- Select a location that is level and sturdy. Uneven ground can make it difficult to secure the umbrella properly and may affect its stability when open.
- Ensure there is ample overhead clearance to fully open and operate the umbrella without obstruction from tree branches, roof eaves, or other structures. Also, clear the area around the umbrella of any furniture, plants, or other items to prevent obstruction or potential accidents.
- Keep all the flames and heat sources away from this umbrella.

## **SECURE THE UMBRELLA:**

- Use a sturdy umbrella base (sold separately) or anchor system (sold separately) to secure the umbrella in place and prevent it from tipping over.

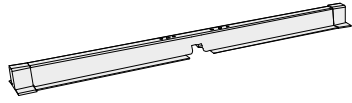
## **CAUTION:**

- Moving the umbrella while it is fully open increases the risk of damaging the umbrella or causing serious injury.

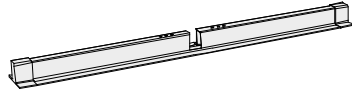
# Check List



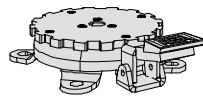
**A** × 1



**B** × 1



**C** × 1



**D** × 1



**D1** × 1

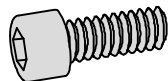


**E** × 1



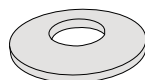
**F** × 4

(M8×14)  
(\*black bolts)



**G** × 8

(Ø8)

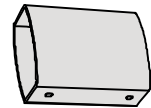


**H** × 1

(T6)

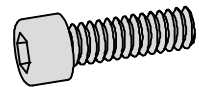


**I** × 1

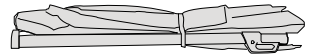


**J** × 5

(M8×20)



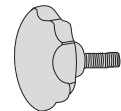
**K** × 1



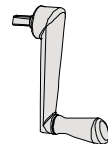
**L** × 4



**M** × 1

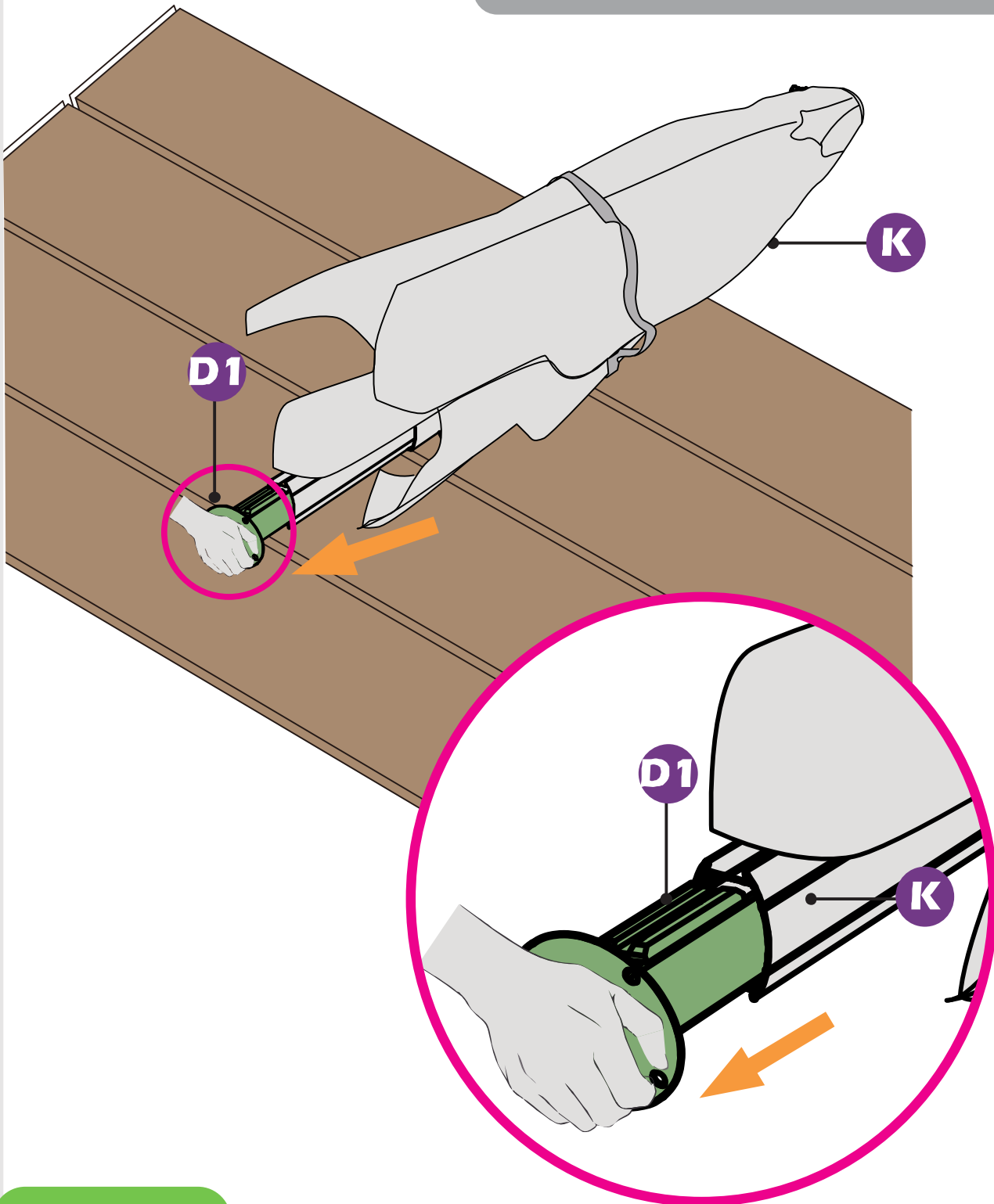


**N** × 1



# Before Assembly

The part D1 base tube hides in the umbrella pole. You will need to get it out of the pole.



**STEP 1**

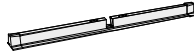
# Base Tube Assembly



A X1

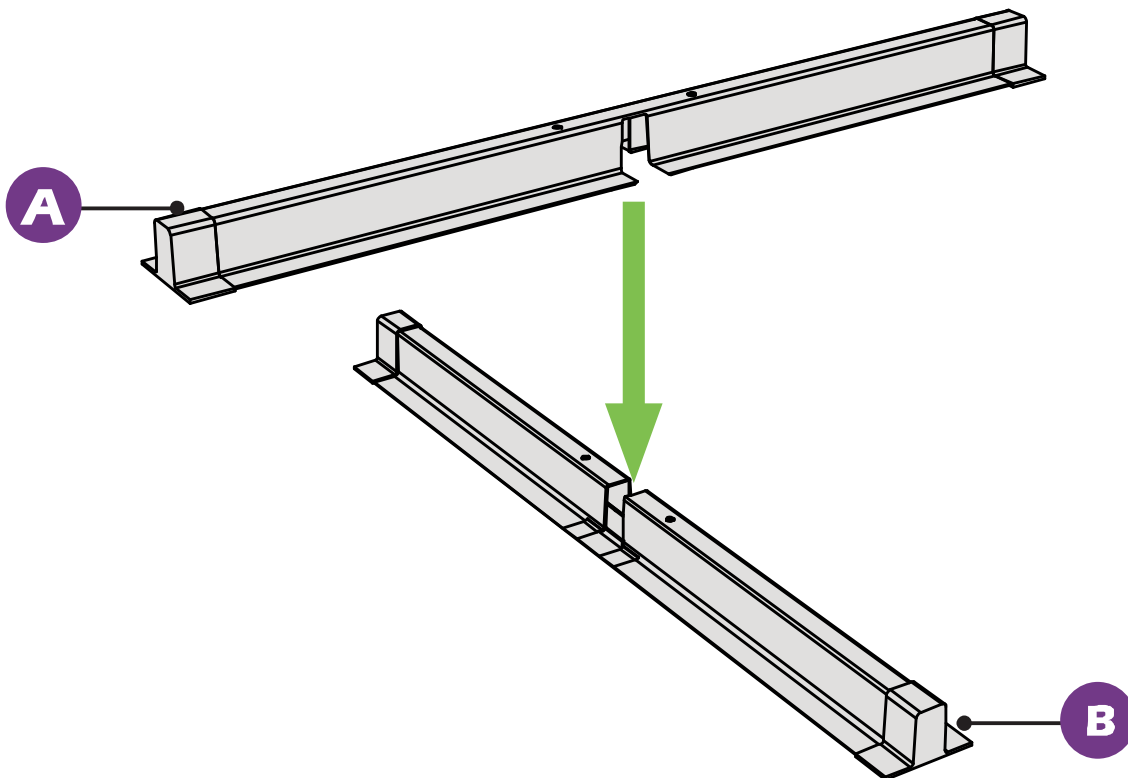


B X1



## Option 1 / Umbrella base weights (Not Included)

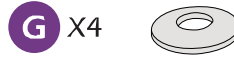
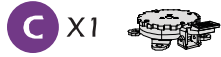
**Note:** Umbrella base weights are NOT included. DO NOT use this umbrella without umbrella base weights. Sand/water tank bases, sand bags, or patio blocks are recommended to put on the cross bars.



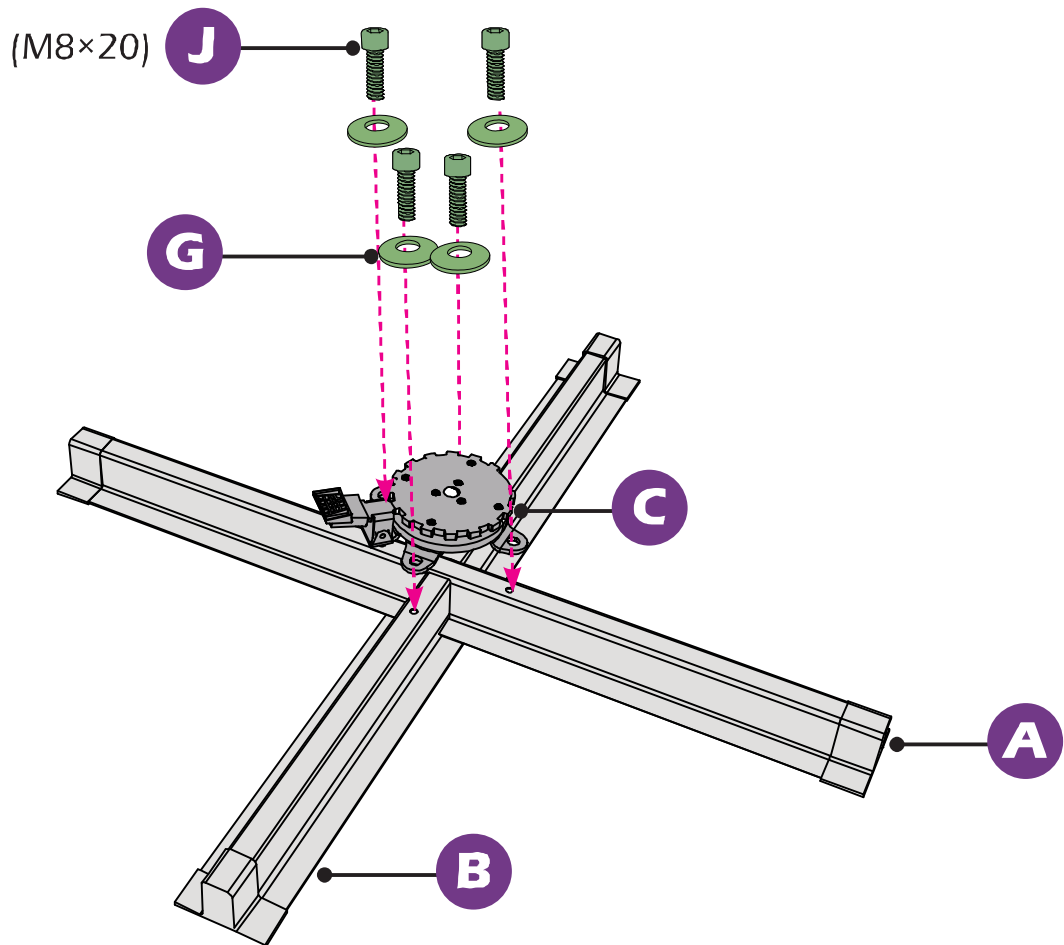
Place the part A upper crossbar on the part B lower crossbar. Then, put the base weights on the cross bars.

**STEP 2**

# Base Tube Assembly



Before assembling the rotating part C, make sure the weighted bases are installed on the cross bars.



Attach the rotating part C to the cross base with four part J screws and four part G washers.

**STEP 2**

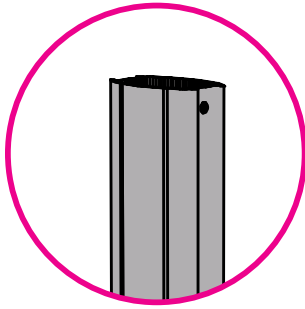
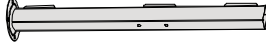
# Base Tube Assembly



**D** X1

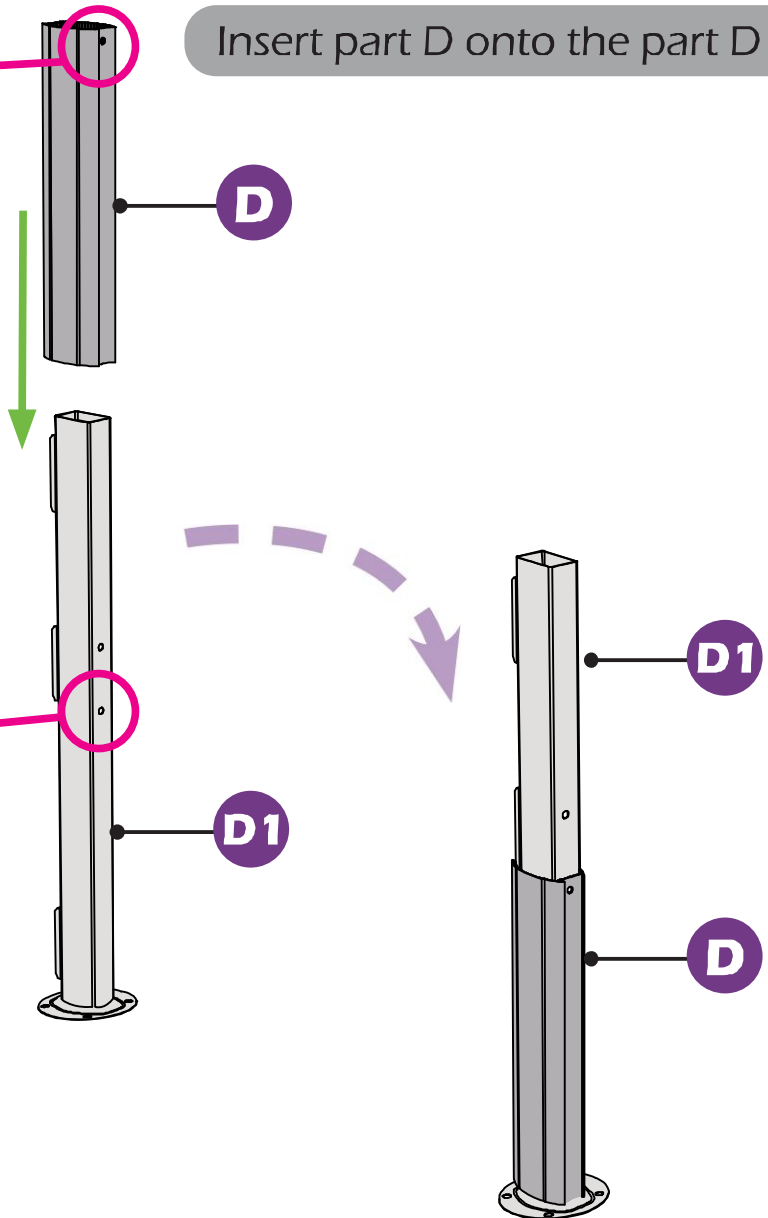


**D1** X1



Insert part D onto the part D1.

Make sure the hole of part D is lined up with the marked hole of part D1.



**STEP 2**

# Base Tube Assembly

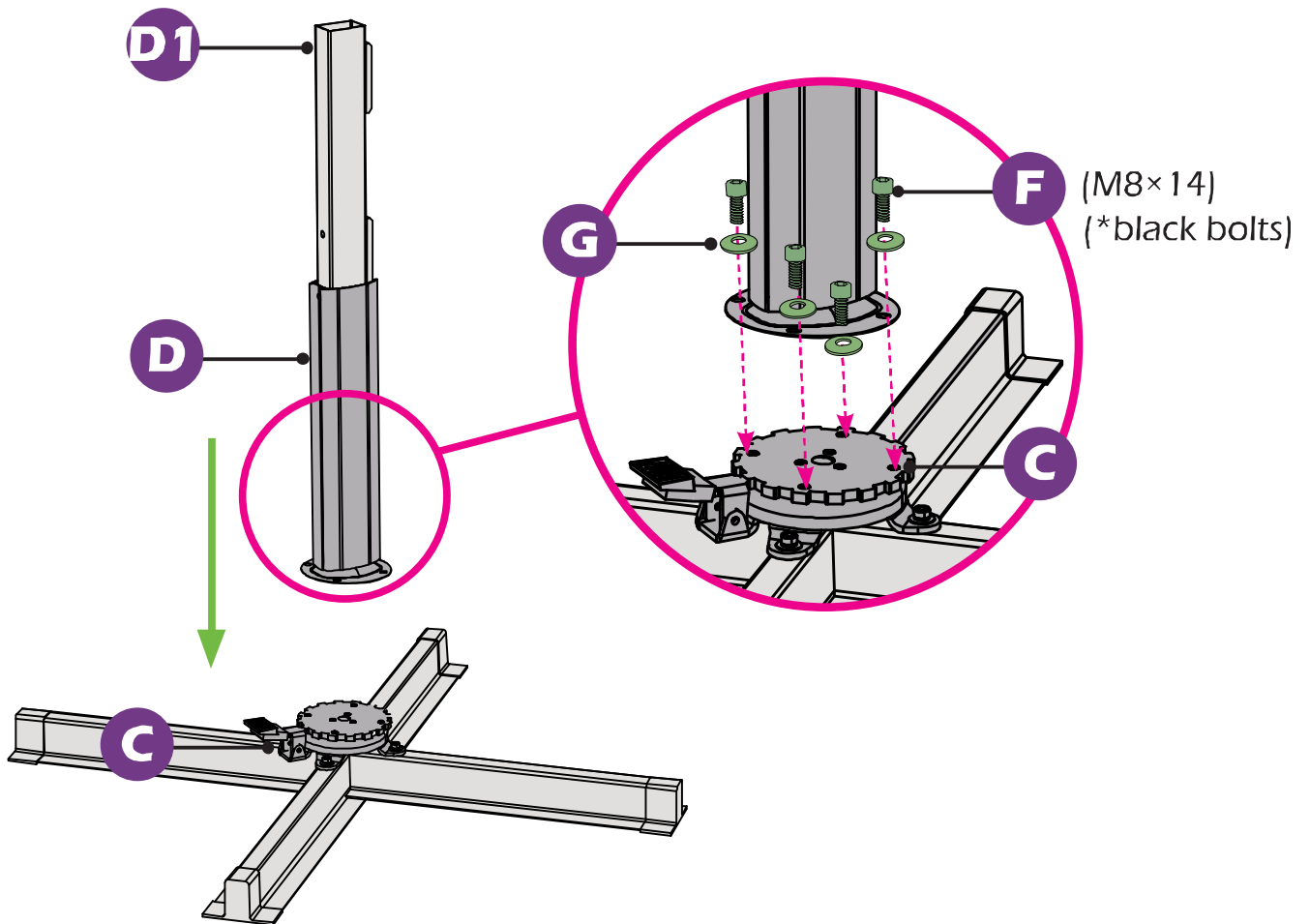


**C** X1

**F** X4  
(M8 x 14)  
(\*black bolts)

**G** X4

Attach part D1 with part D to the part C rotating base. Use the part F screws and part G washers to fix the parts.



**STEP 2**

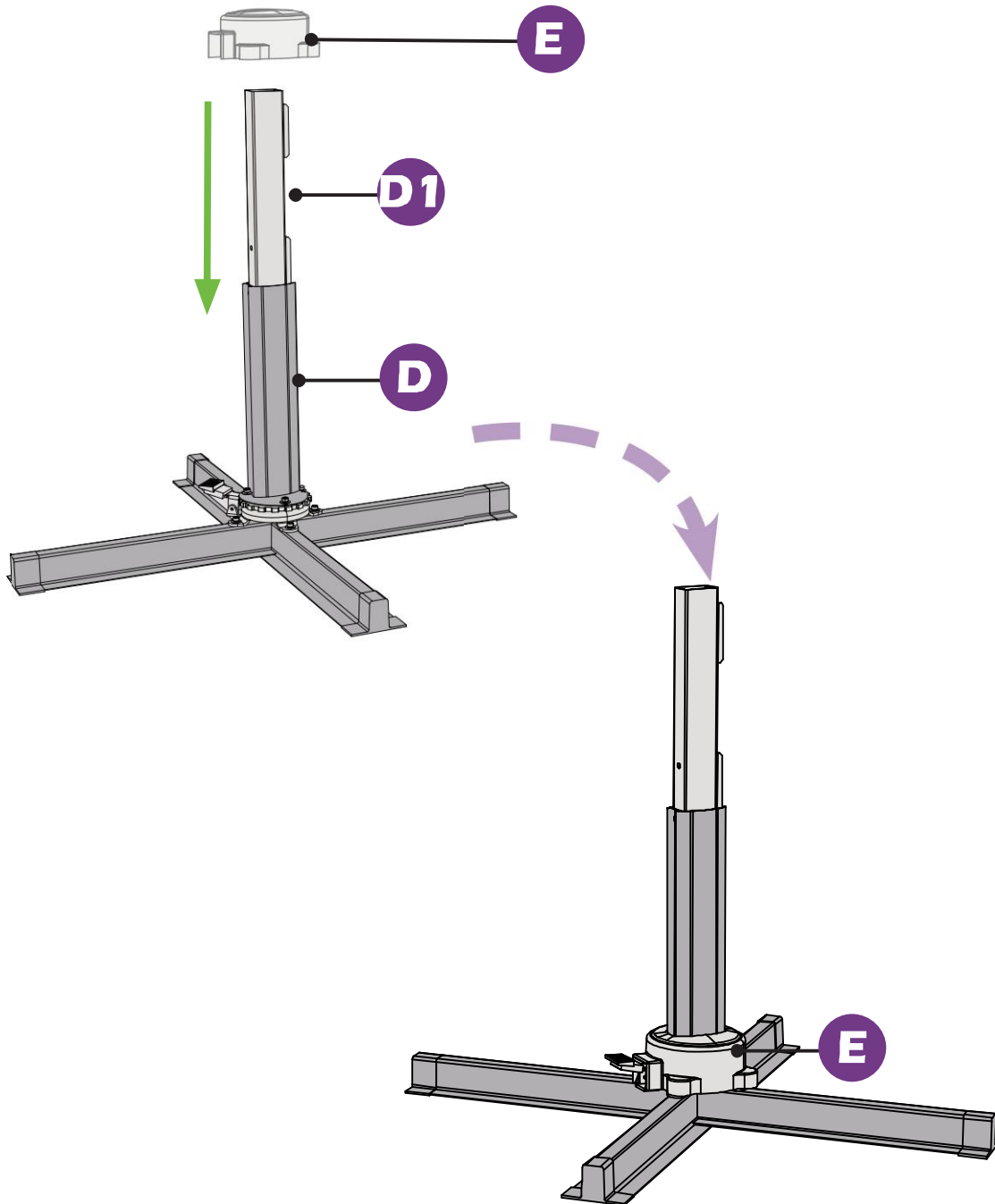
# Base Tube Assembly



**E** X1



Slide the part E base cover over the pole.

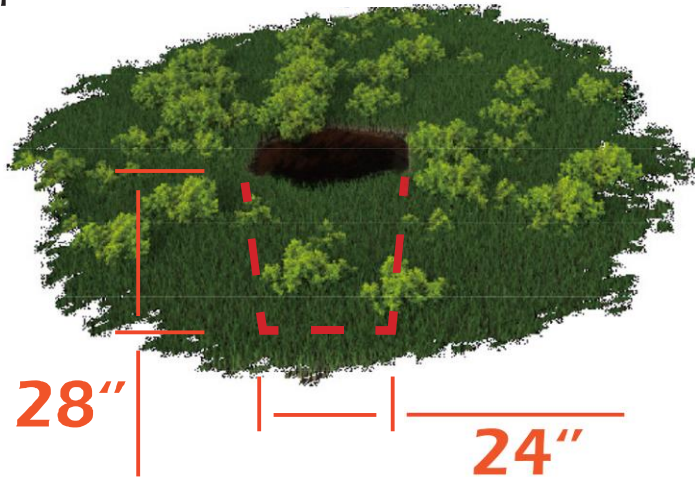
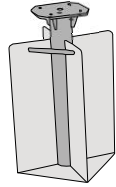


**STEP 2**

# Base Tube Assembly

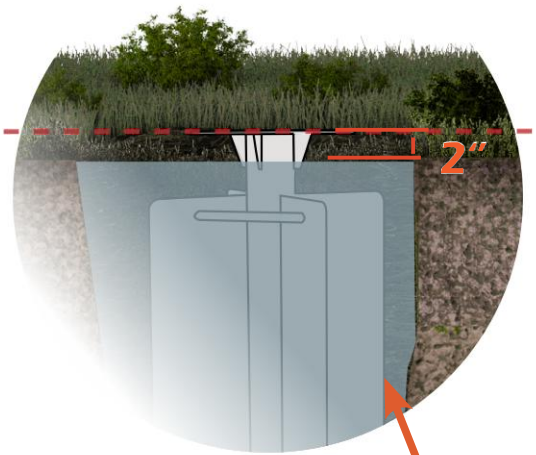
## Option 2 / Inground Base (Sold Separately)

gently  
put it down



Dig a hole roughly 28" deep and 24" across. Gently put the inground base in the hole and make sure it is level before backfill the hole with concrete.

That is horizontal.



Concrete >700lbs



concrete

**STEP 2**

# Base Tube Assembly



**C** X1



**F** X4  
(M8 x 14)  
(\*black bolts)



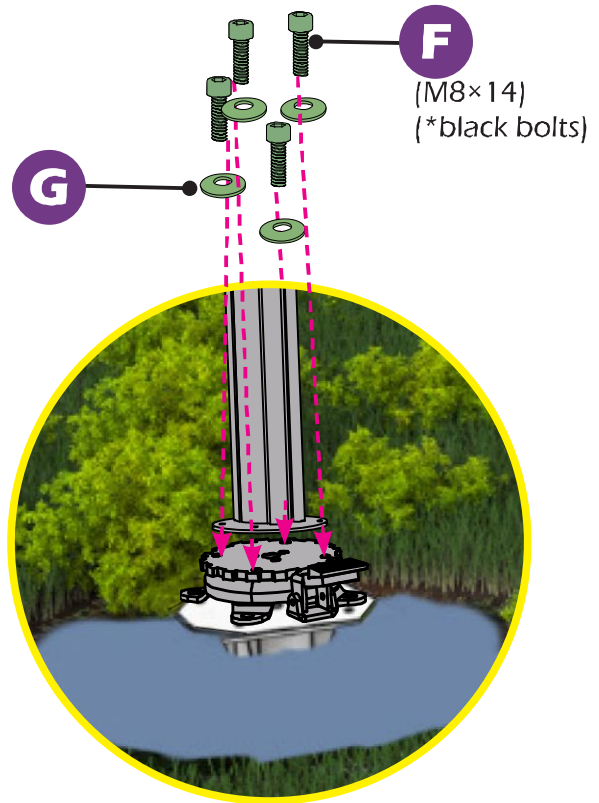
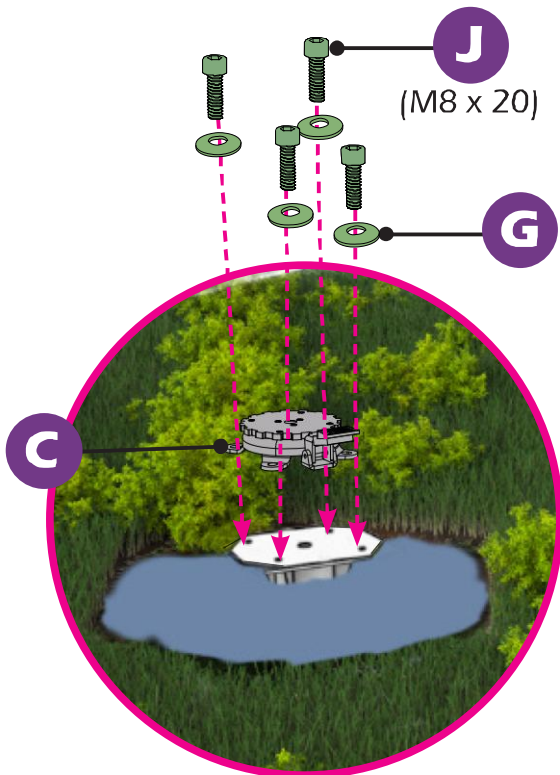
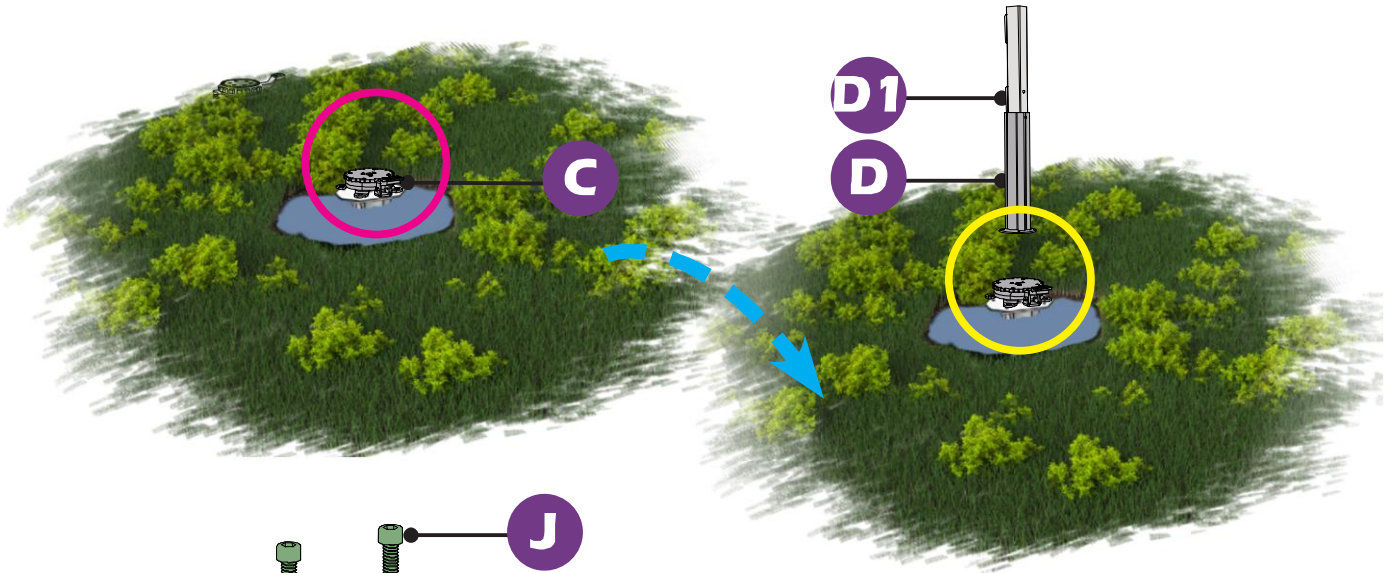
**G** X8



**J** X4  
(M8 x 20)



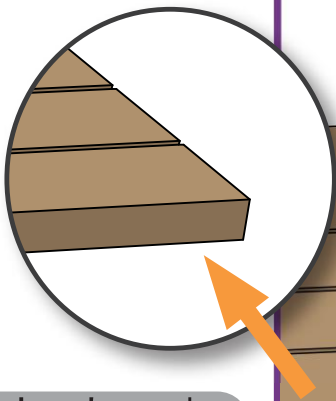
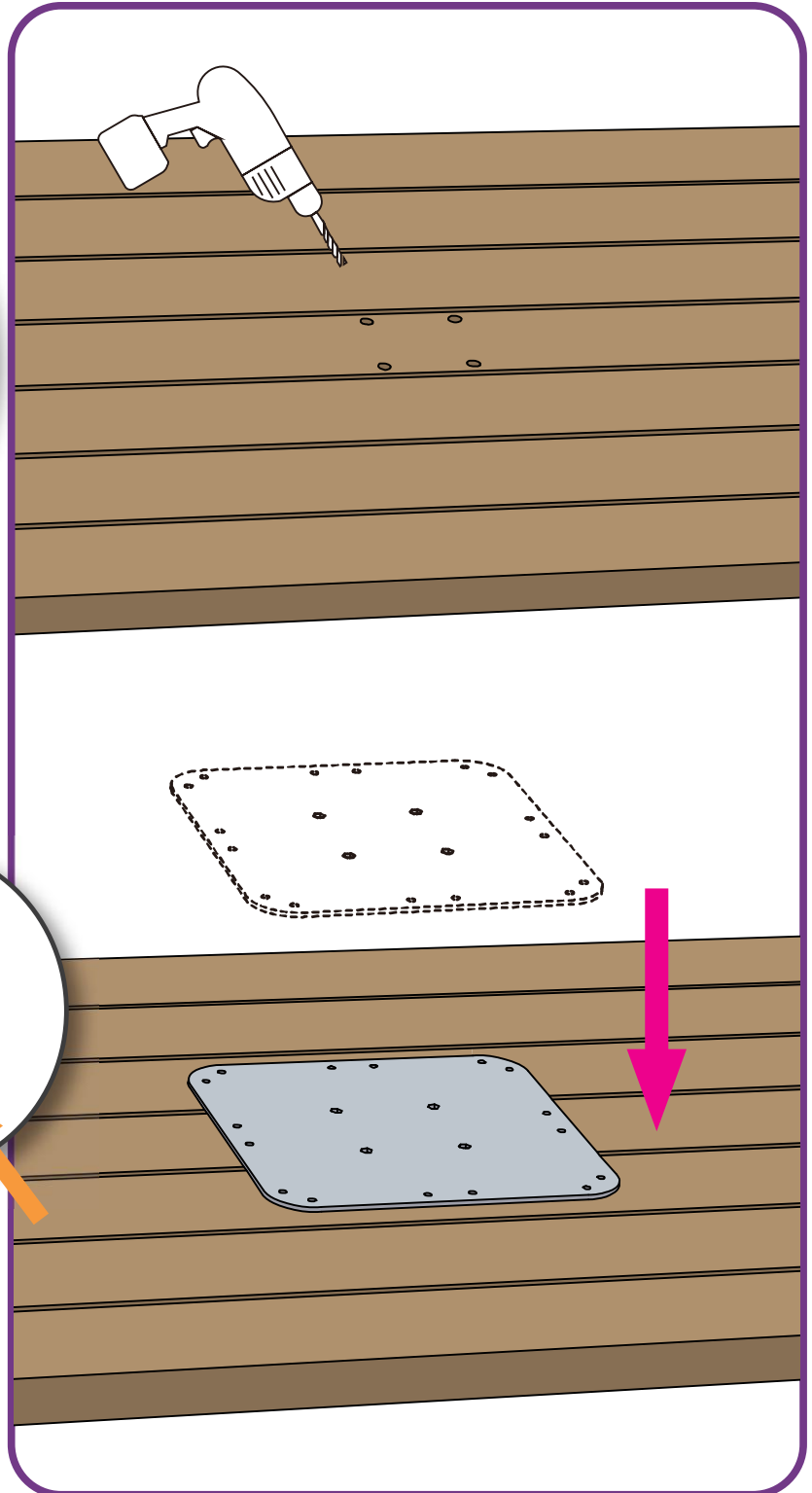
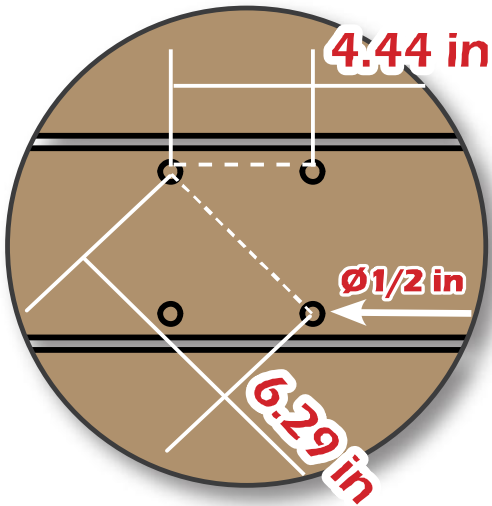
Install the umbrella after the concrete is cured.



**STEP 2**

# Base Tube Assembly

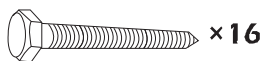
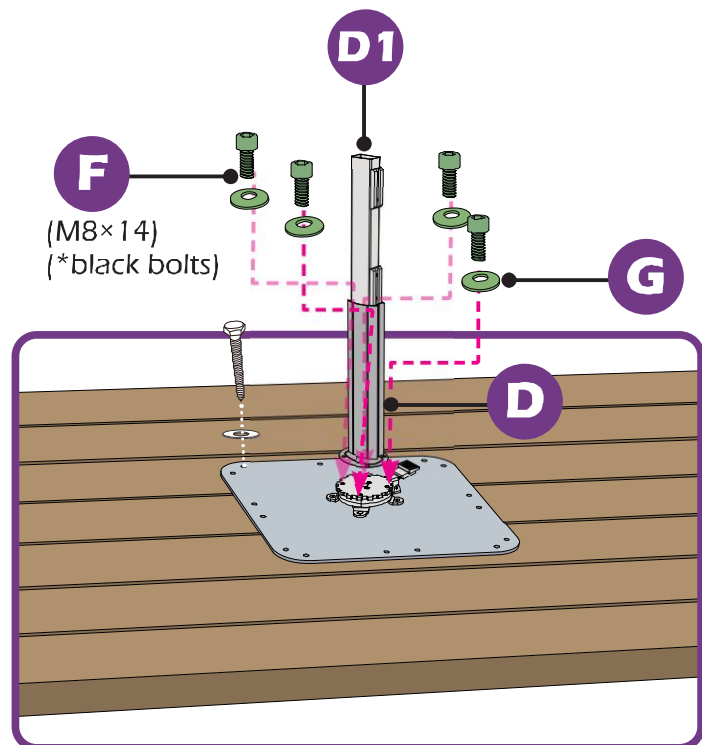
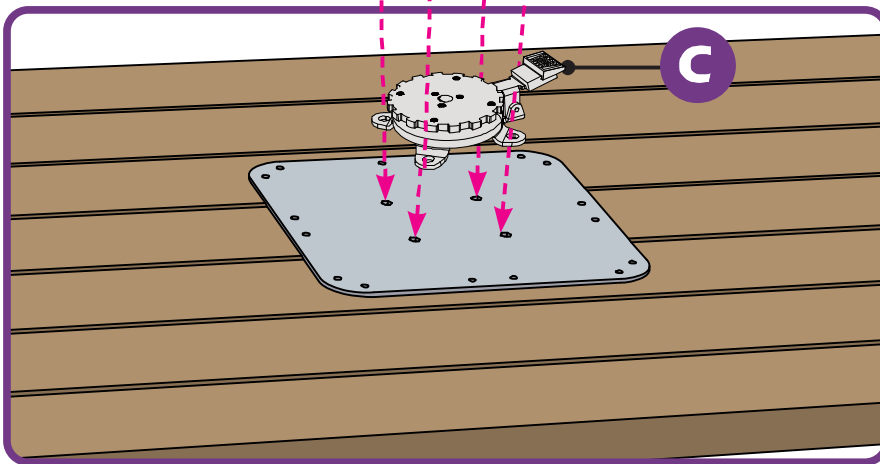
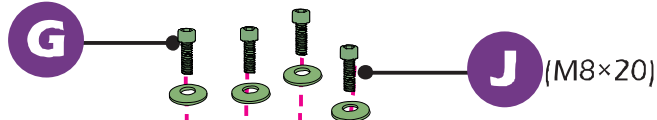
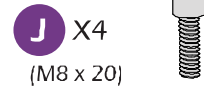
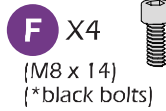
## Option 3 / Baseplate (Sold Separately)



If the deck is hardwood,  
the required depth should  
be more than 0.5 inches.

**STEP 2**

# Base Tube Assembly

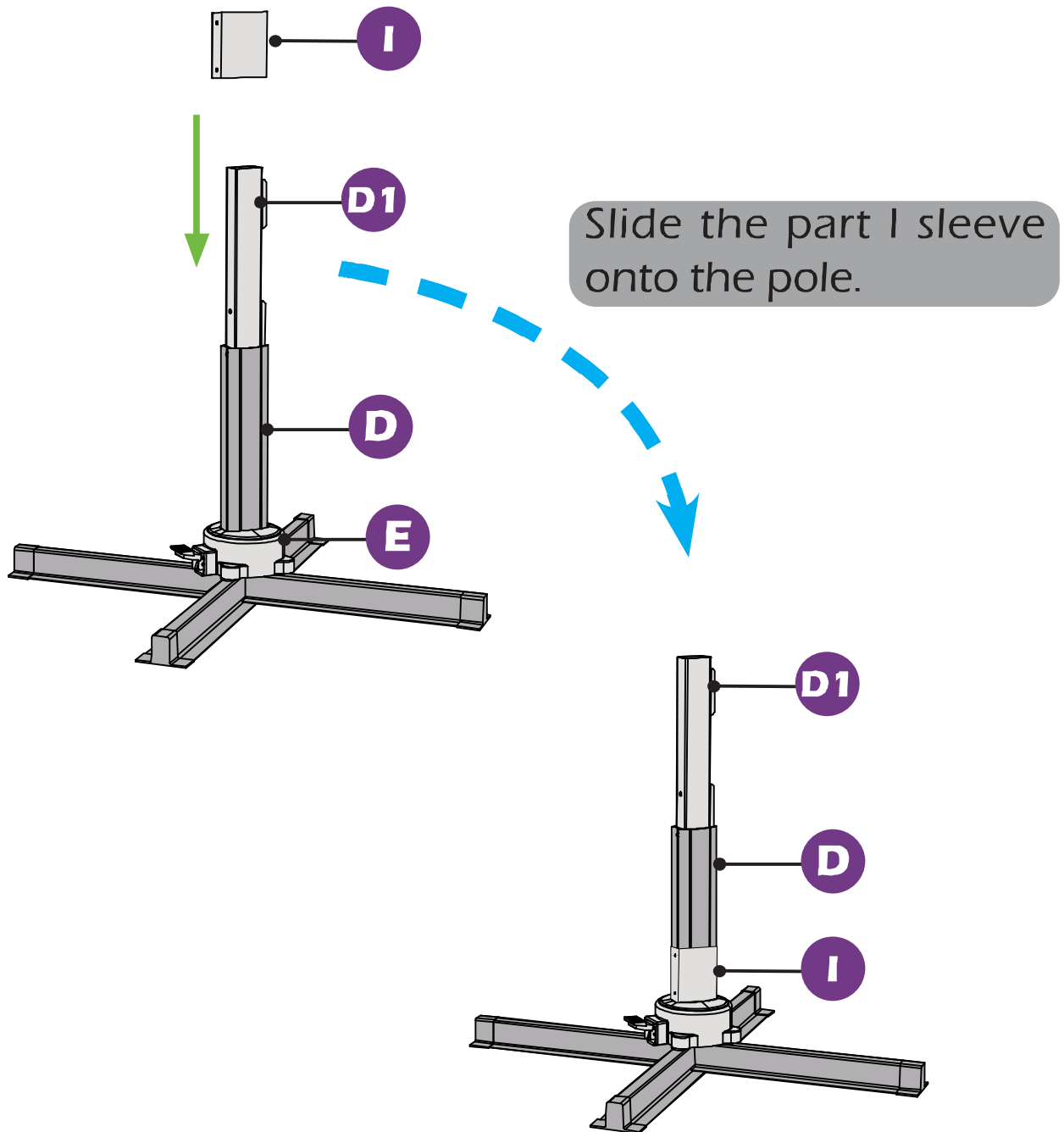


Use **1/4 inch** -diameter galvanized/stainless lag screws to mount the plate to the deck (included in the base plate package).

**STEP 2**

# Umbrella Assembly

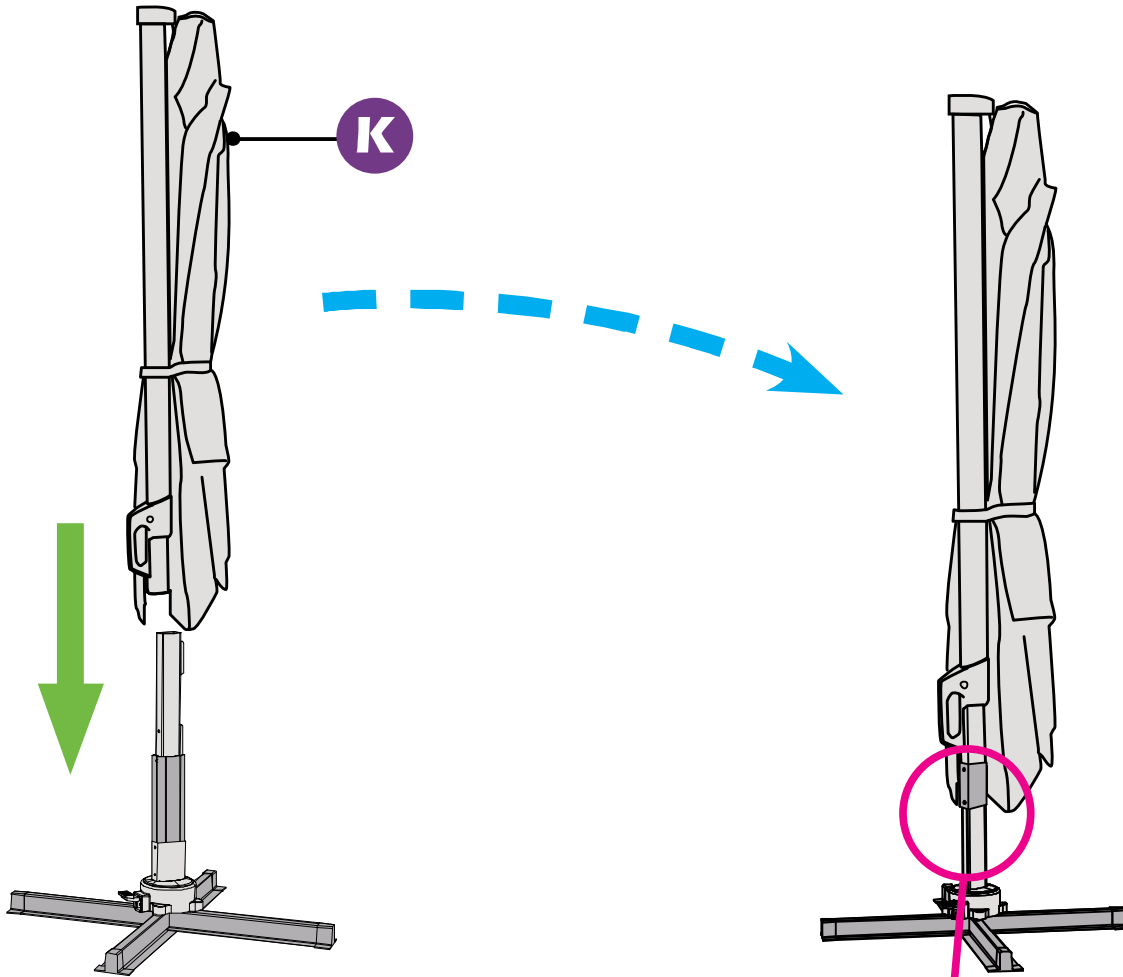
**Two-persons** recommended for team lift and to complete assembly.



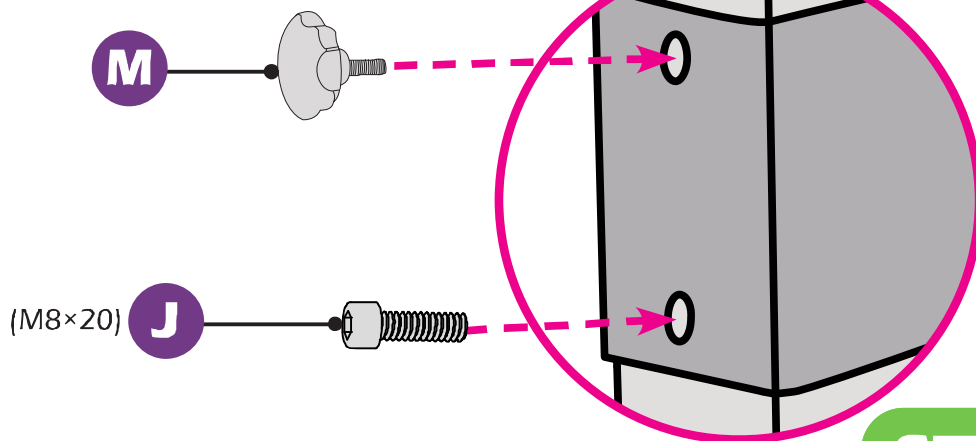
**STEP 3**

# Umbrella Assembly

Insert part K umbrella onto the pole.



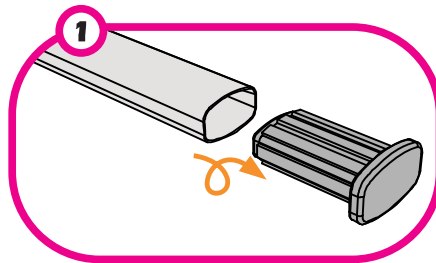
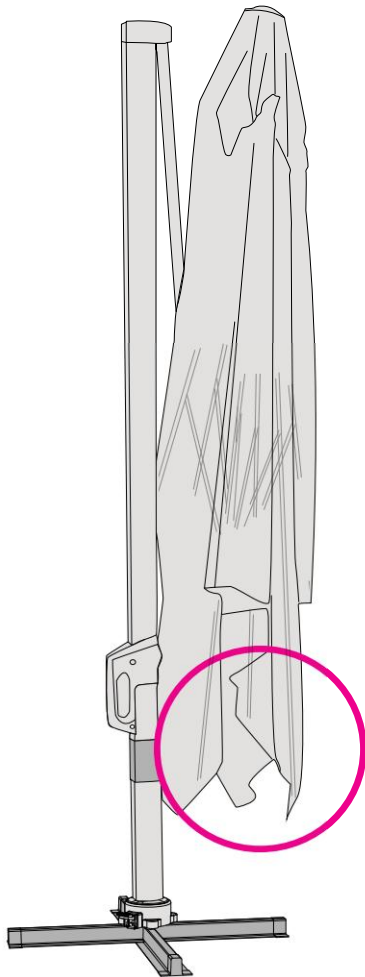
Fix the part I sleeve to the pole with part M knob and part J screw.



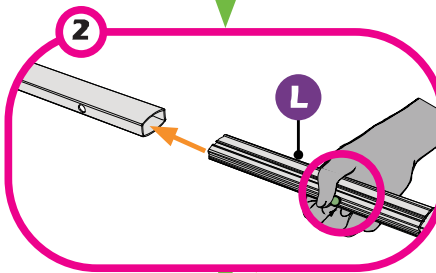
**STEP 3**

# Umbrella Assembly

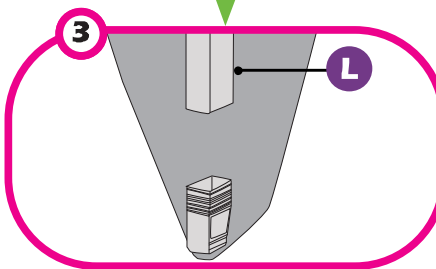
**CAUTION:** You may choose to open the canopy a bit to install the parts L. Be sure to remove all the protective material inside.



Remove the plastic cap at the end of the long rib on the canopy corner.



Press the button on Part L and insert it into the long rib on the canopy corner.



Insert the plastic part into the end of part L.

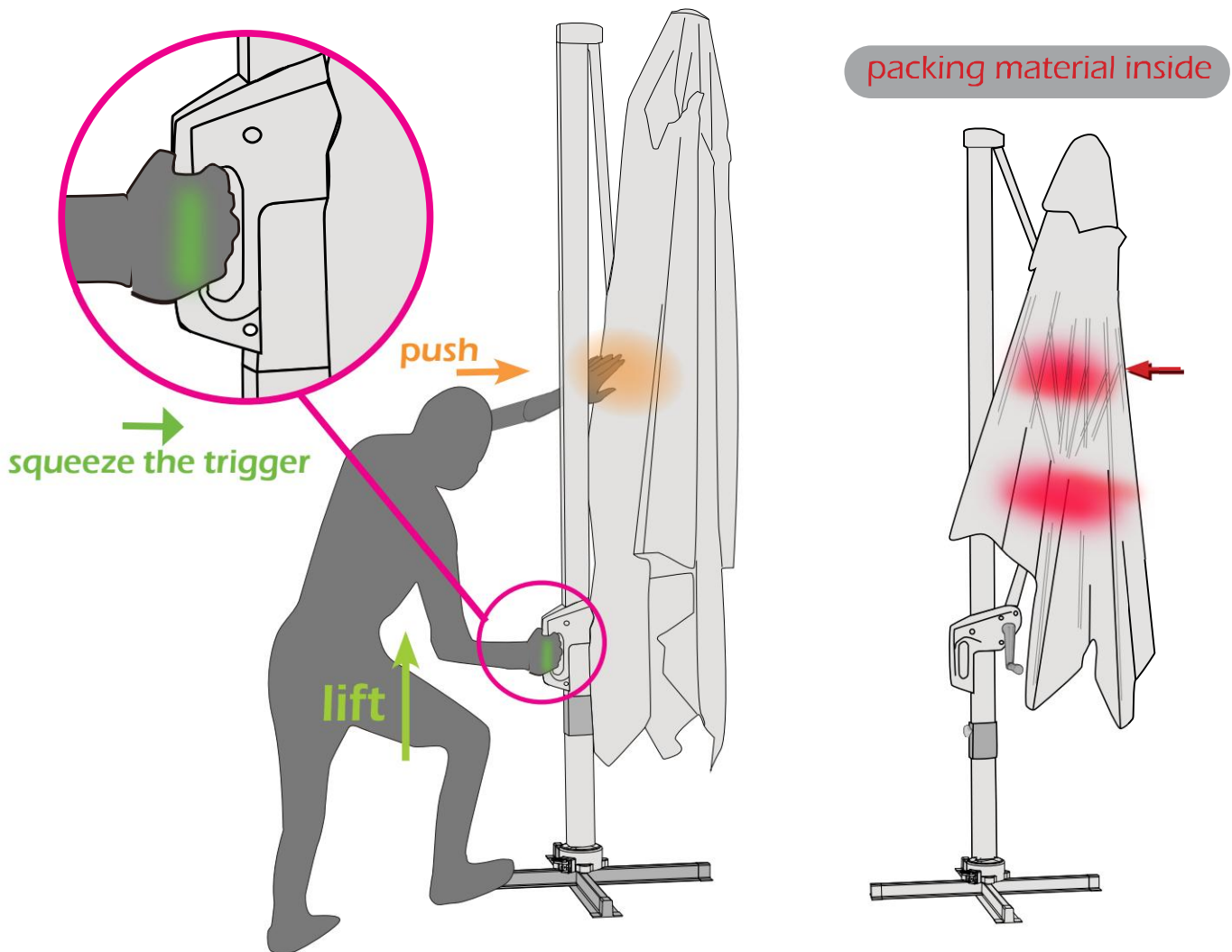
Repeat the above steps to finish the installation of other three parts L.

**STEP 3**

# Operation

## To Open Canopy

1. Squeeze the trigger and push out the support arm to lift the handle up. Release the trigger to lock the handle in your desired position.
2. Insert the **hand crank (N)** into the small hole of the handle on the post.

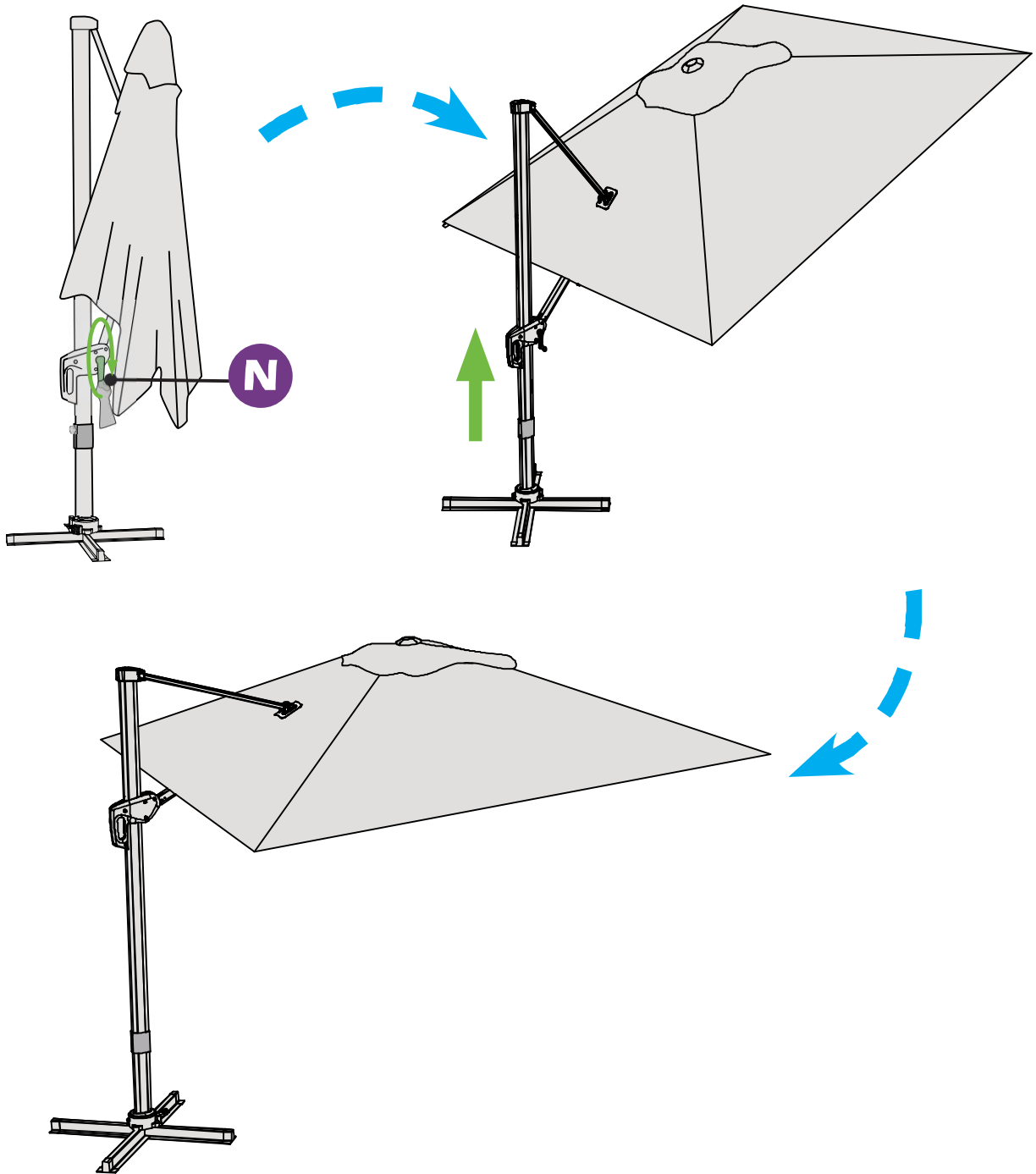


**Note:** Be mindful of the packaging in the umbrella canopy. It **MUST** be removed before opening.

**STEP 4**

# Operation

Turn the hand crank clockwise to open the canopy.



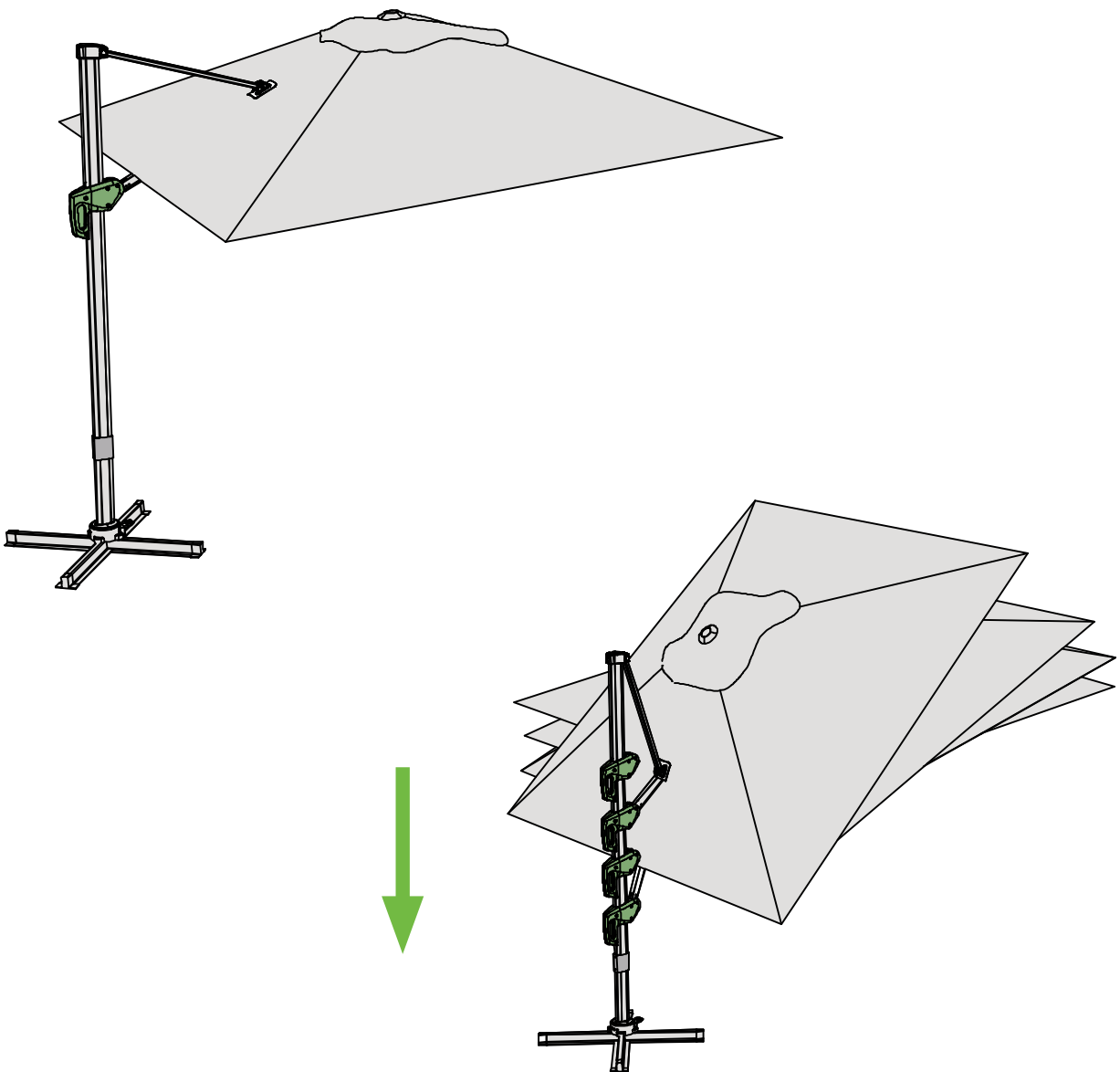
**STEP 4**

# Operation

## To Tilt Canopy

Press on the handle trigger and move the handle up and down to adjust the angle of the umbrella canopy. Release the handle to lock it in your desired position.

**IMPORTANT:** Before using the tilt function, ensure the area behind you is clear and free from any furniture or structures to avoid personal injury or damage to the umbrella.



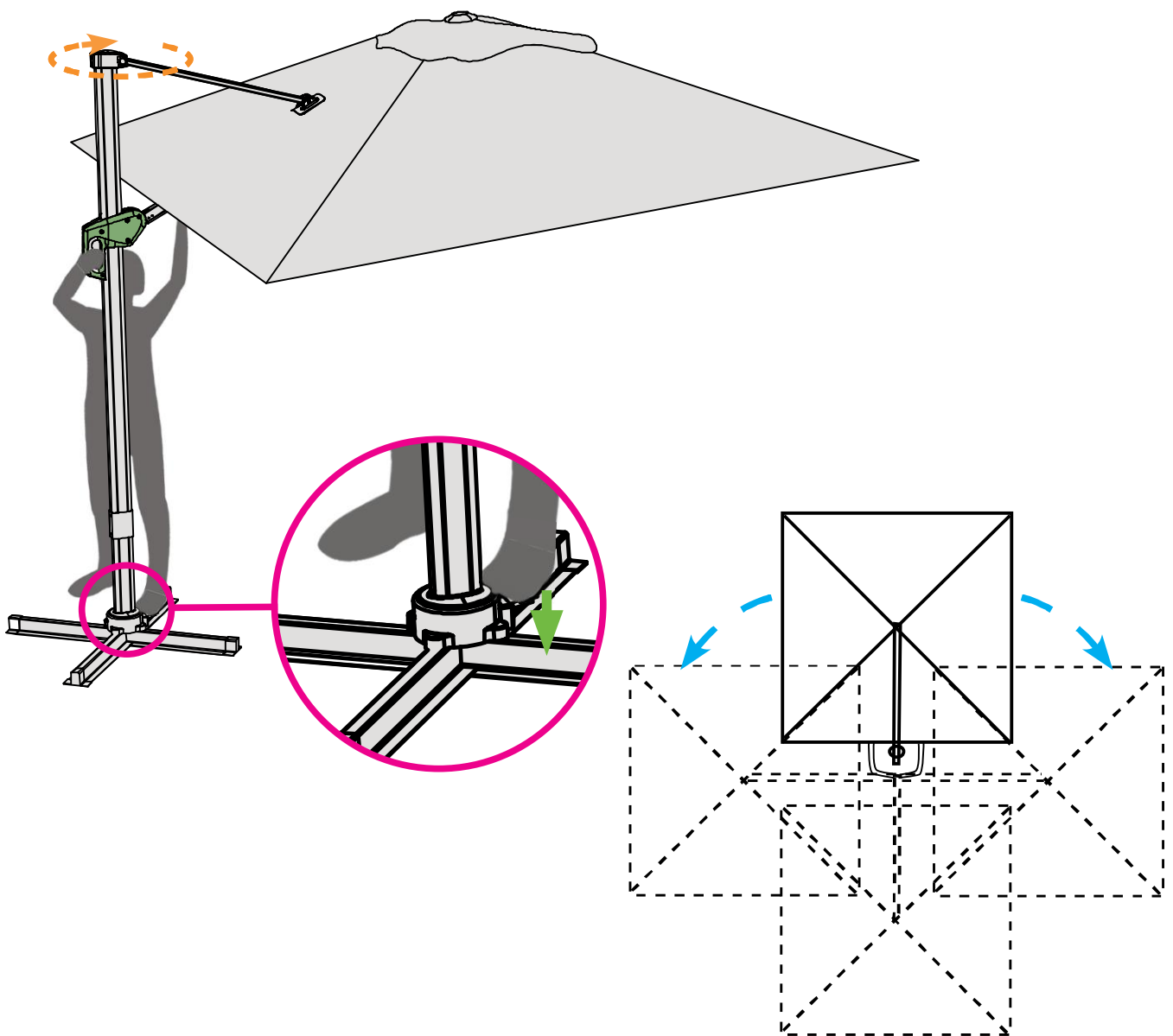
**STEP 4**

# Operation

## To Operate the 360° Rotation

Step on the pedal gently while maintaining a firm grip on the handle and support arm. Slowly rotate the umbrella in your desired direction.

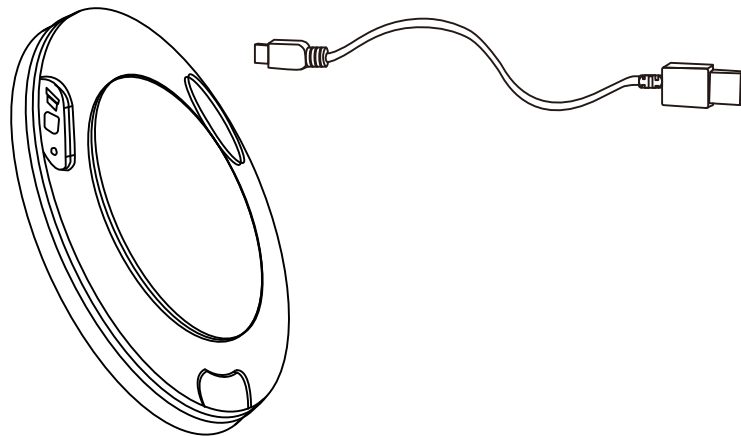
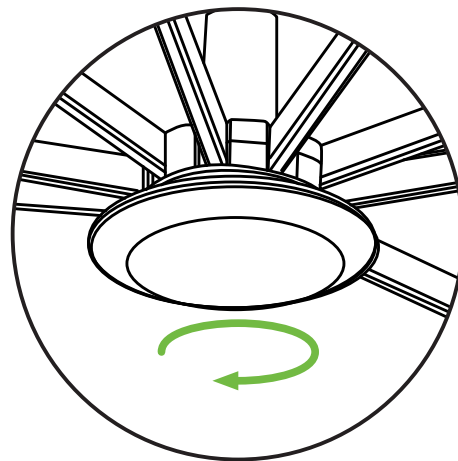
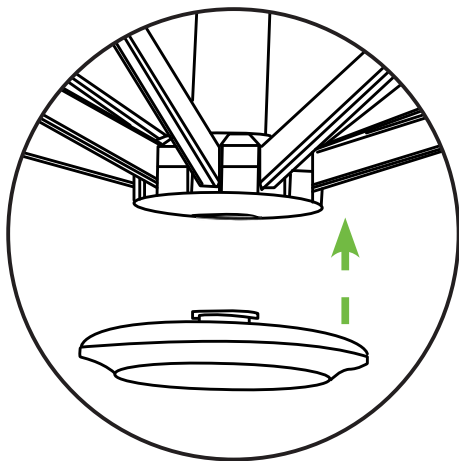
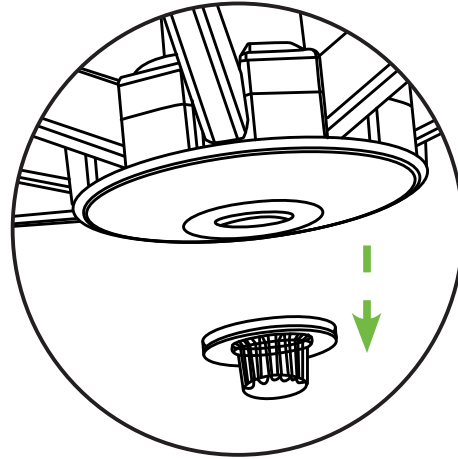
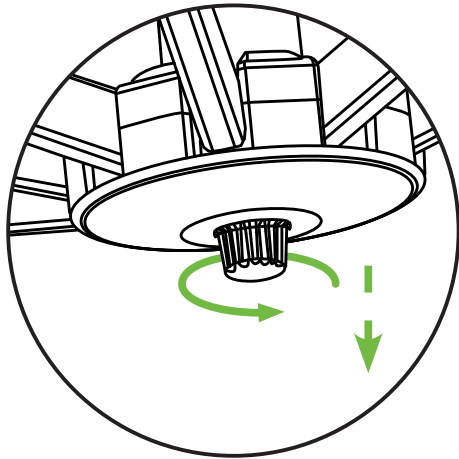
**IMPORTANT:** Throughout the rotation process, be mindful of any obstacles or overhead structures to avoid collisions or damage.



**STEP 4**

# Operation

## To Install Umbrella Light (Sold Separately)



**STEP 4**

# Notification

## WARRANTY

### Frame

Frames are warranted to be free from defects in materials and workmanship for a period of one year. Damage to frames or welds due to improper assembly or exposure to water and sub-freezing temperatures is not covered.

### Fabric

Fabric is warranted for a period of three years. Fading or discoloration resulting from exposure to the elements, chemicals, or from spills is not covered.

### Finish

The finish is warranted against peeling, cracking, or blistering for a period of one year, provided the unit has not been scratched or abraded. Scratches and chips resulting from abnormal wear and tear are not covered. Fading resulting from exposure to elements is not covered.

### Note

All operations should be conducted in accordance with the instruction manual.

### Exclusions

This warranty applies exclusively to the original purchase order from Purple Leaf.

Failures resulting from unreasonable or abusive use, as well as neglect of reasonable and necessary care, are not covered. Damage to the umbrella caused by animals is also excluded from warranty coverage. Acts of nature, including but not limited to wind, hurricanes, tornadoes, and storms, are not covered under this warranty.

Purple Leaf reserves the right to explain warranty exclusions.

**STEP 5**

# Notification

## SAFETY PRECAUTIONS

### Child Safety

Always supervise and take care of children under or around the patio umbrella, especially when it is open and in use.

Teach children not to play with or hang on the umbrella, as this can cause it to topple over.

Keep children away from the umbrella's moving parts, such as the crank mechanism or tilt mechanism, to prevent pinching or trapping fingers.

Store any removable parts, such as crank handles, out of reach of children.

### Safe Use

Do not use your umbrella during inclement weather, including but not limited to, windy conditions, thunderstorms, heavy rains, or freezing temperatures.

Do not leave the umbrella unattended when it is in use and open.

### Inspect Regularly

Check for loose parts, sharp edges, or any other hazards. Tighten screws and bolts as needed and make any necessary adjustments to ensure the umbrella remains securely in place.

**STEP 5**

# Notification

## Cleaning & Maintenance

### Routine maintenance

Close the umbrella when not in use to protect it from sun exposure, wind, and harsh weather conditions. Use a protective cover (sold separately) to shield the umbrella from dirt, dust, and moisture.

During adverse weather conditions or the winter, store the umbrella in a clean, dry place indoors to prevent damage from prolonged exposure to the elements. Before putting it into storage or covering, ensure the entire unit is clean and fully dry.

### Metal Frame

Inspect the frame and hardware regularly for signs of wear, rust, or corrosion. Replace any damaged or worn-out components promptly.

Periodically lubricate moving parts, such as the crank mechanism and base tube, with a suitable lubricant.

After installation, periodically tighten bolts and nuts as needed and make any necessary adjustments to ensure safety.

### Canopy Fabric

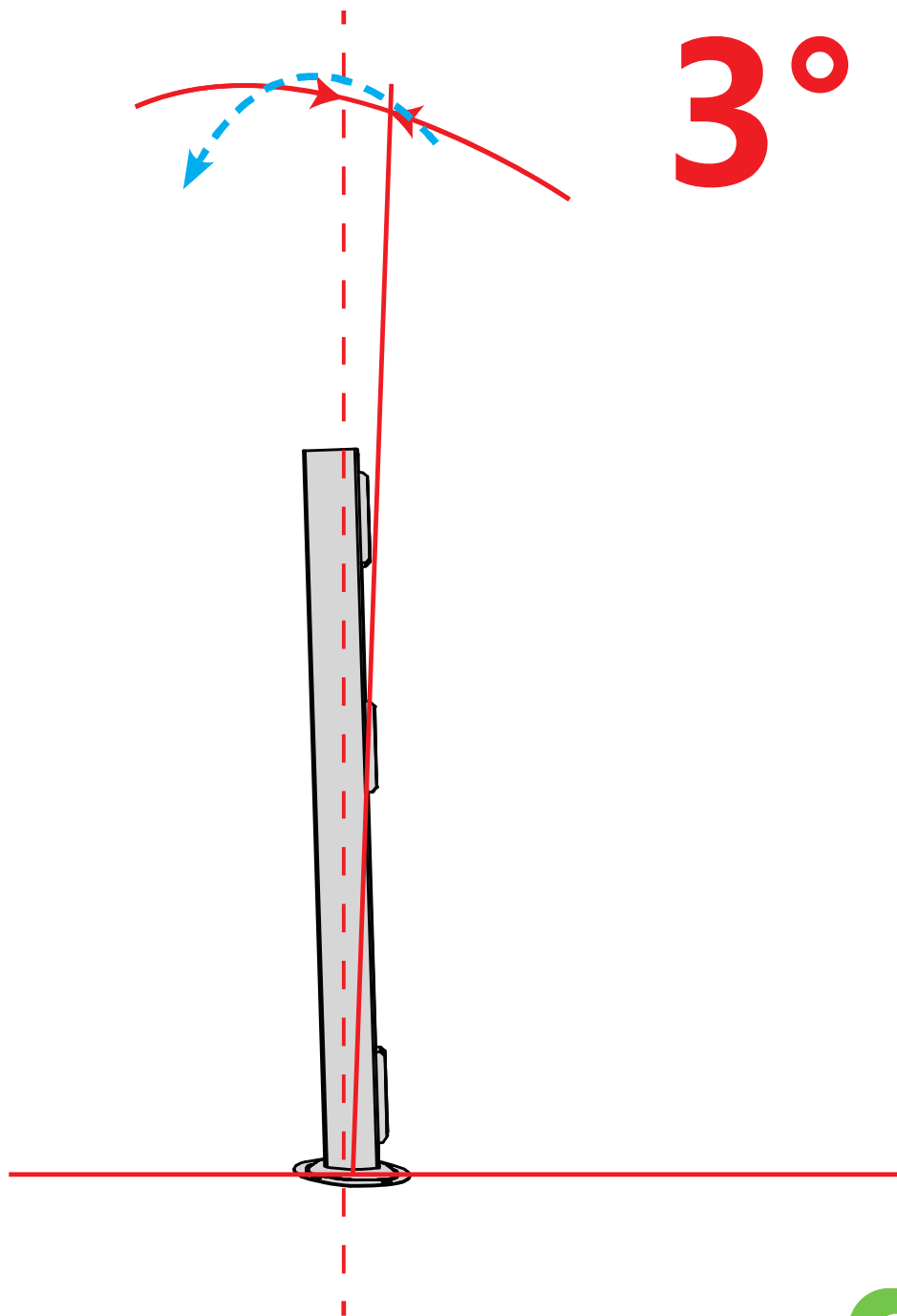
Regularly clean the umbrella fabric with a solution of mild soap and warm water. Gently scrub with a soft brush or sponge, then rinse thoroughly. Do not use bleach, acid, solvents, or abrasive cleaners on the fabric.

Allow the fabric to air dry completely before closing the umbrella to prevent mildew and mold growth.

**STEP 5**

# Attention

Umbrella base tube have  $3^\circ$  backward to the vertical for engineering purpose.



**STEP 6**





*Purple Leaf Inc.  
15950 Boyle Avenue, Fontana,  
CA, 92337, US  
umbrella7@purpleleafgarden.com  
©Copyright 2013-2025 Purple Leaf Inc.  
All Rights Reserved.V1.*