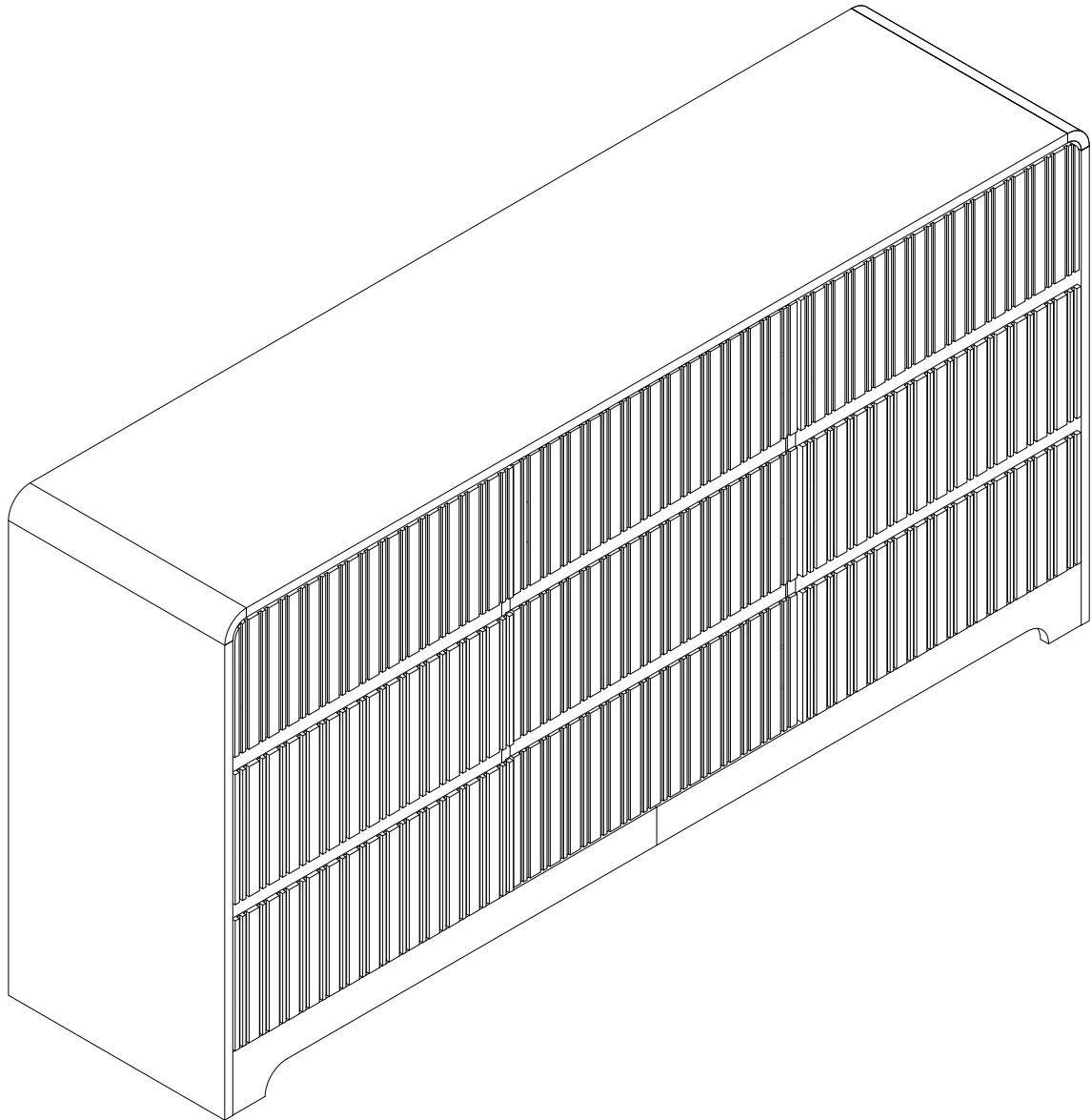


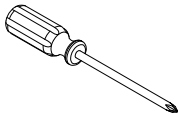
Installation Instruction



Assembling

What you need

- Use the packaging carton as a working surface to prevent product damage during assembly
- Phillips head screwdriver



Weight Limitation

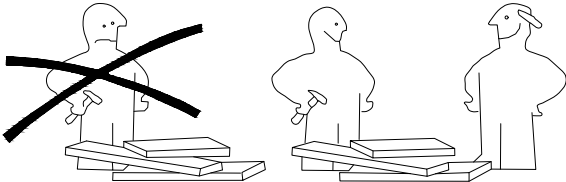


100

lbs table top

| 35

lbs per

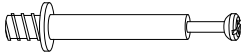


What' included

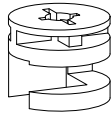
Code	Description	Qty
A	Cam Bolt M6X35MM	102
B	Cam Lock 15X9MM	102
C	Wooden Dowel M8X30MM	18
D	Screw M4X40MM	38
E	The screw M3X14MM	100
F	Hole position sticker	68
G	The back button	24
H	Thumbtack	9
I	Anchor	2
J	Nylon Strap	2
K	Adjustable Leveler	2
L	Reinforce the sheet metal	1
CL	Left mother extended orbit	9
CR	Right mother extended orbit	9
DL	Left public extension track	9
DR	Right public extends track	9

The Hardwares

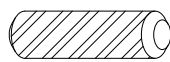
A



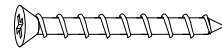
B



C



D



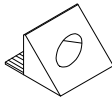
E



F



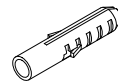
G



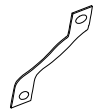
H



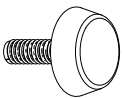
I



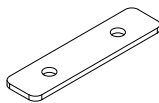
J



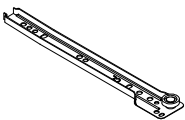
K



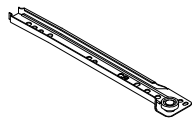
L



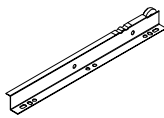
CL



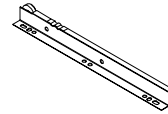
CR



DL



DR



IMPORTANT:

1. Do not tighten bolts / screws completely until all bolts / screws are lined up and inserted into holes.
2. Do not over tighten screws and bolts to avoid stripping
3. Please use hand tools to assemble this product, you can also use power tools (please use power tools carefully)

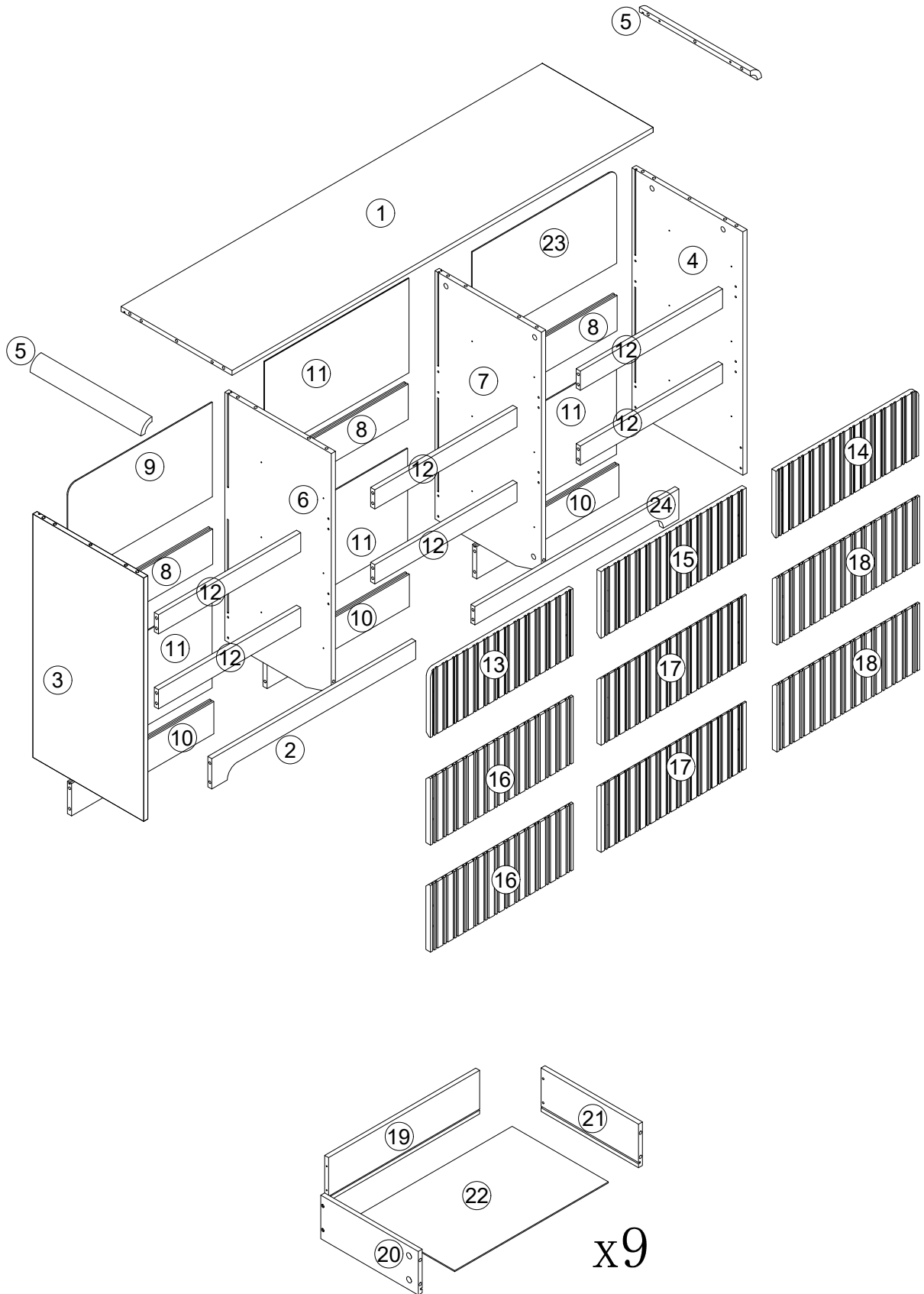
Included Accessories

Code	Description	Qty
1	Cabinet Top	1
2	Left Front Support Bar	1
3	Left Side Panel	1
4	Right Side Panel	1
5	Arc connecting plate	2
6	Left neutral plate	1
7	Right neutral plate	1
8	After the gusset plates	3
9	Upper left back panel	1
10	After the gusset plates	3
11	Lower back panel	4
12	Drawer damper	6
13	Upper left drawer panel	1
14	Upper right drawer panel	1
15	Upper drawer panel	1
16	Left drawer panel	2
17	Middle drawer panel	2
18	Right drawer panel	2

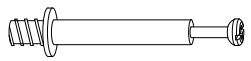

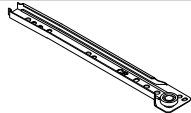
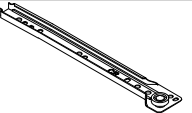
Included Accessories

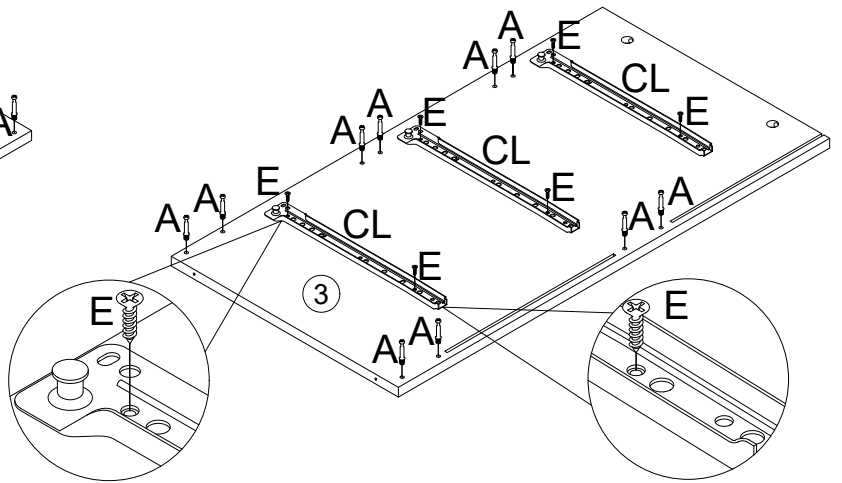
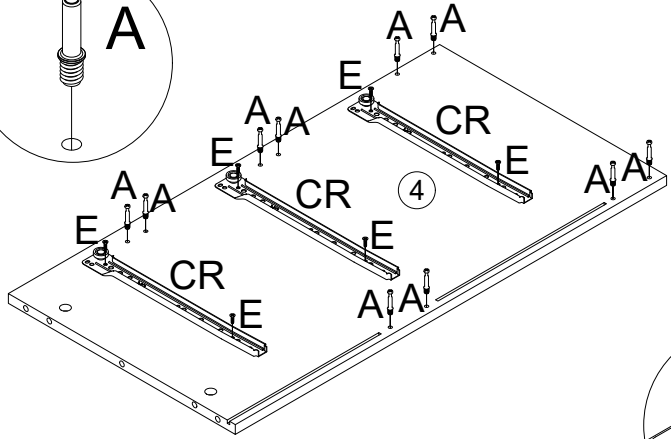
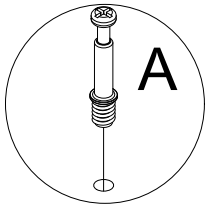
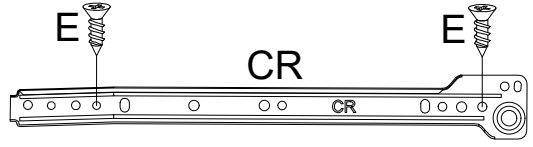
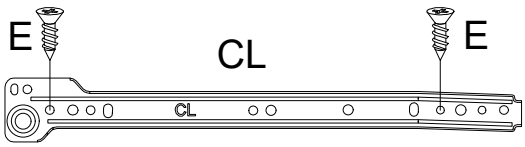
Code	Description	Qty
19	After the drawer board	9
20	Drawer left panel	9
21	Drawer right side panel	9
22	The drawer bottom	9
23	Upper left back panel	1
24	Right Front Support Bar	1

The Accessoriess

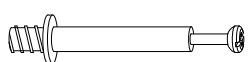

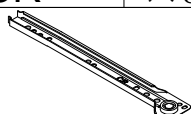
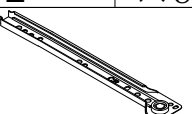


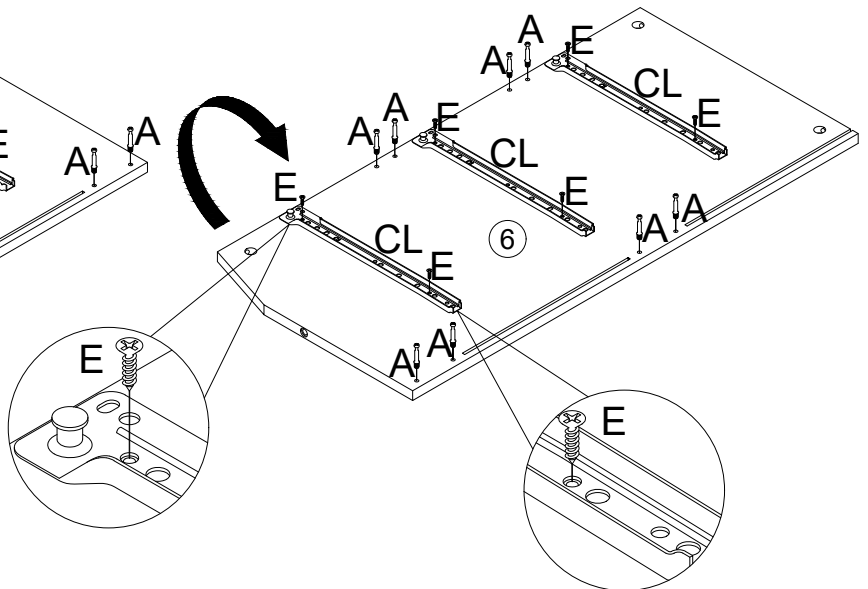
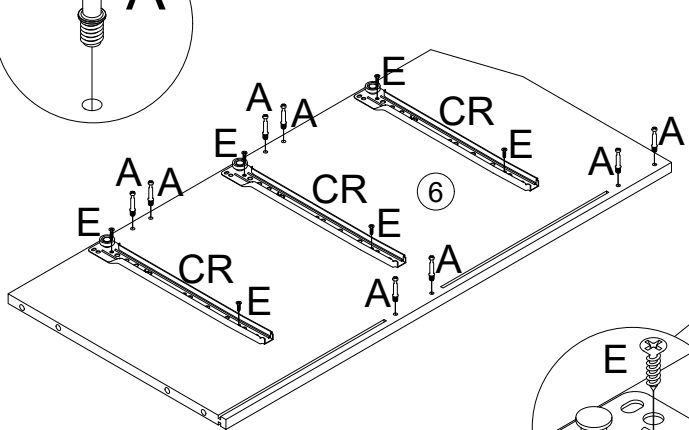
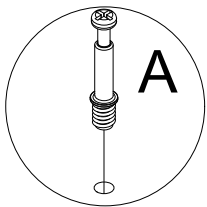
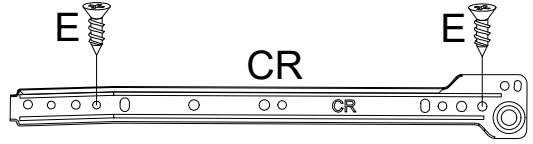
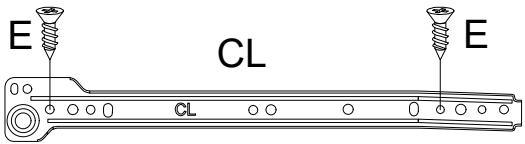
Step 1

A	×20	E	×12	CR	×3	CL	×3
							

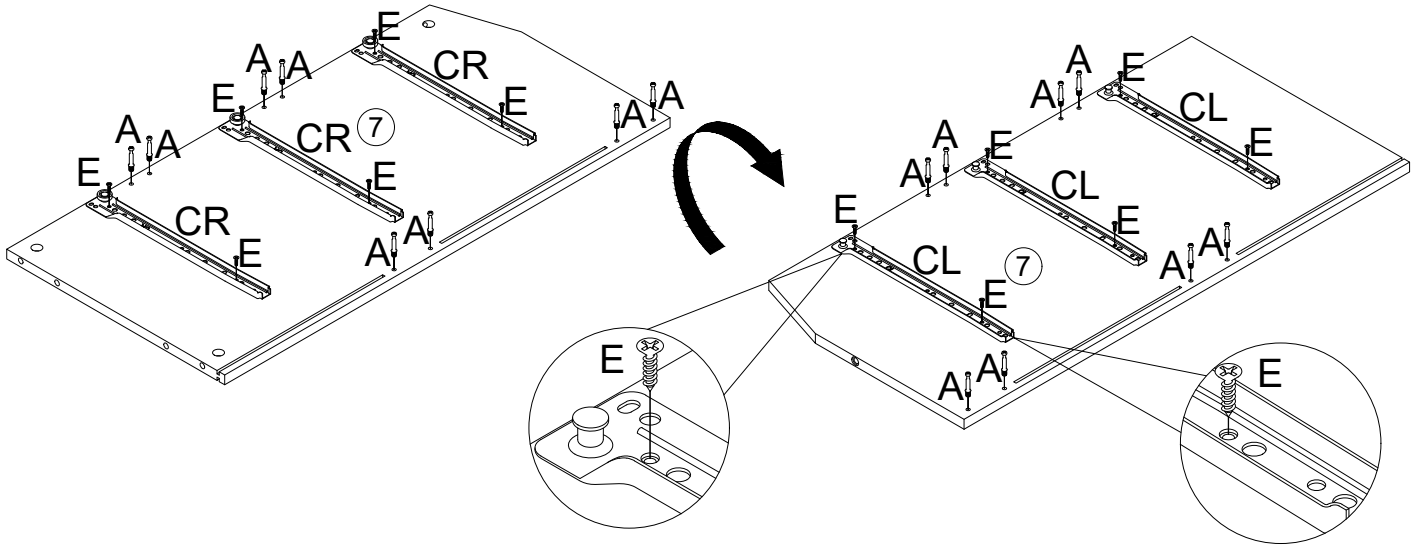
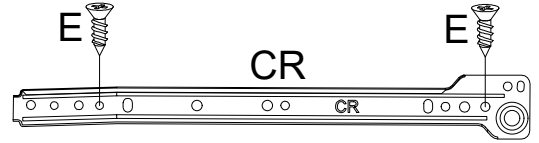
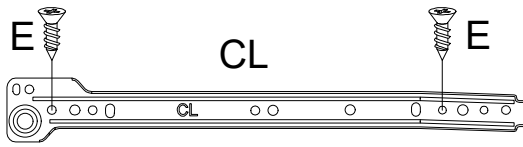
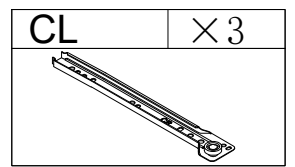
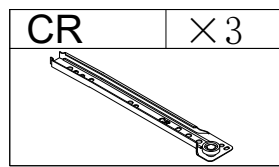
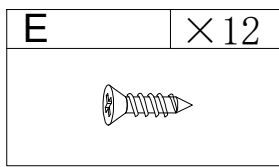
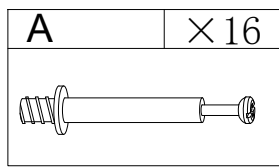


Step 2

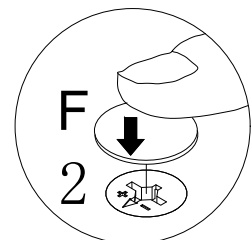
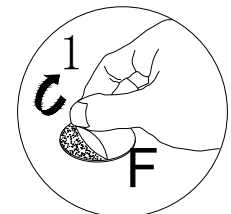
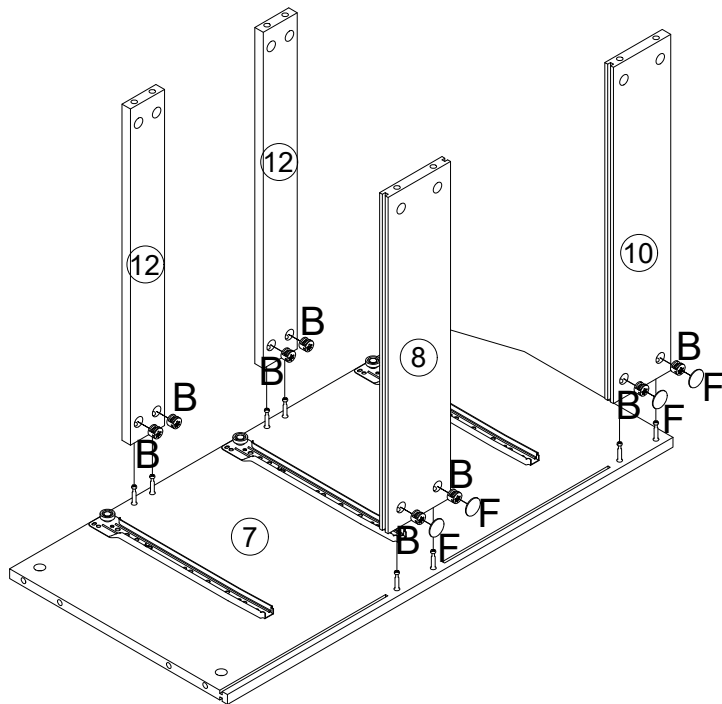
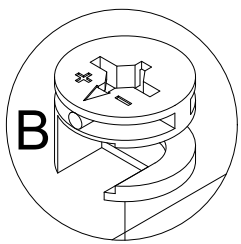
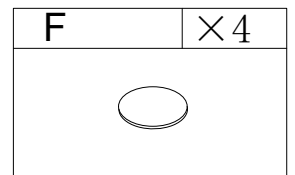
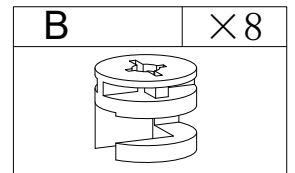
A	×16	E	×12	CR	×3	CL	×3
							



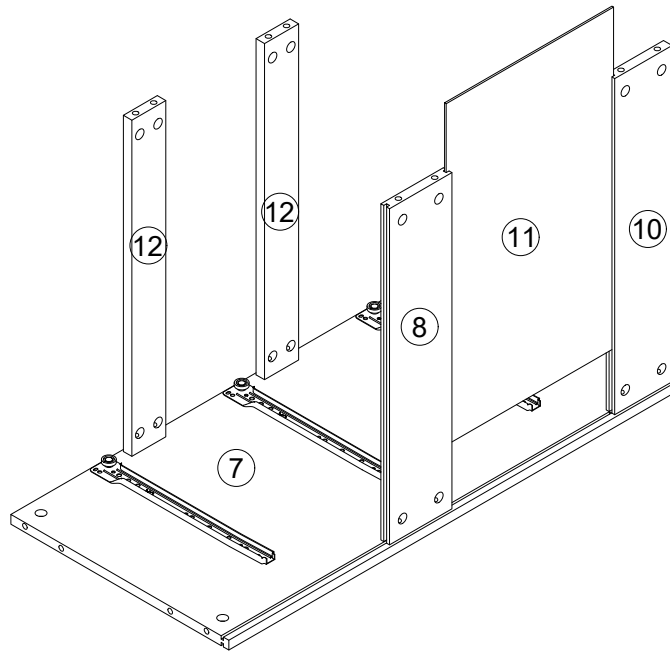
Step 3



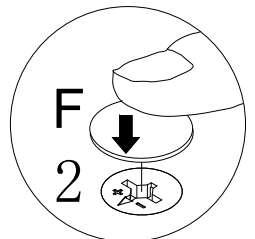
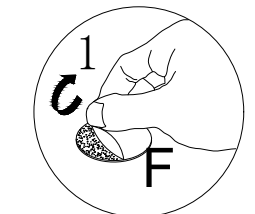
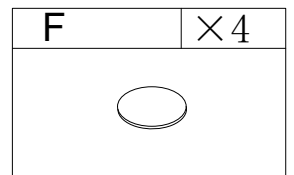
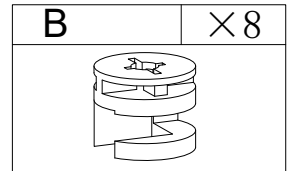
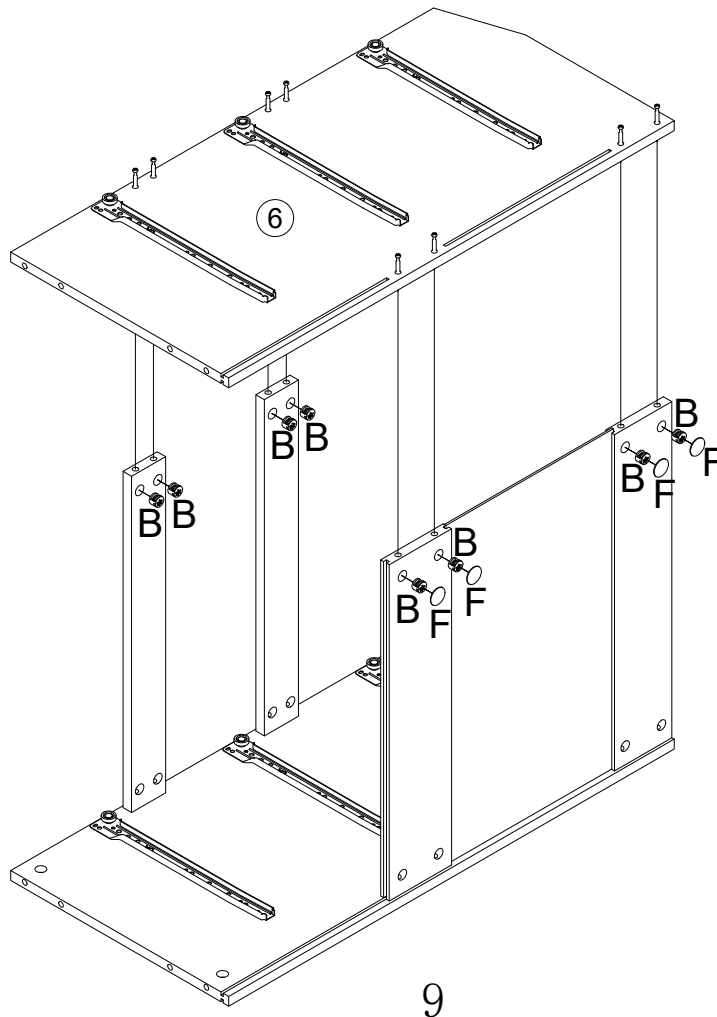
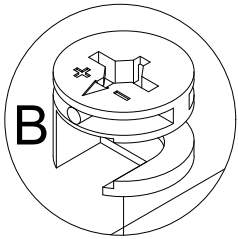
Step 4



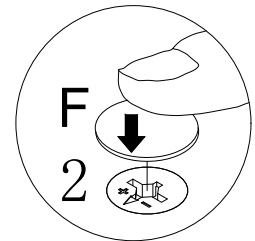
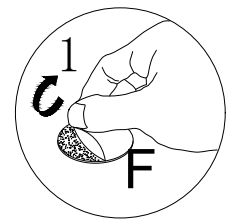
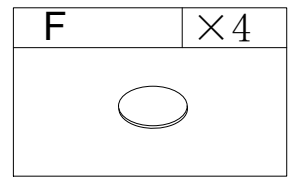
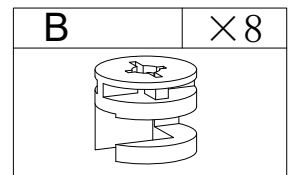
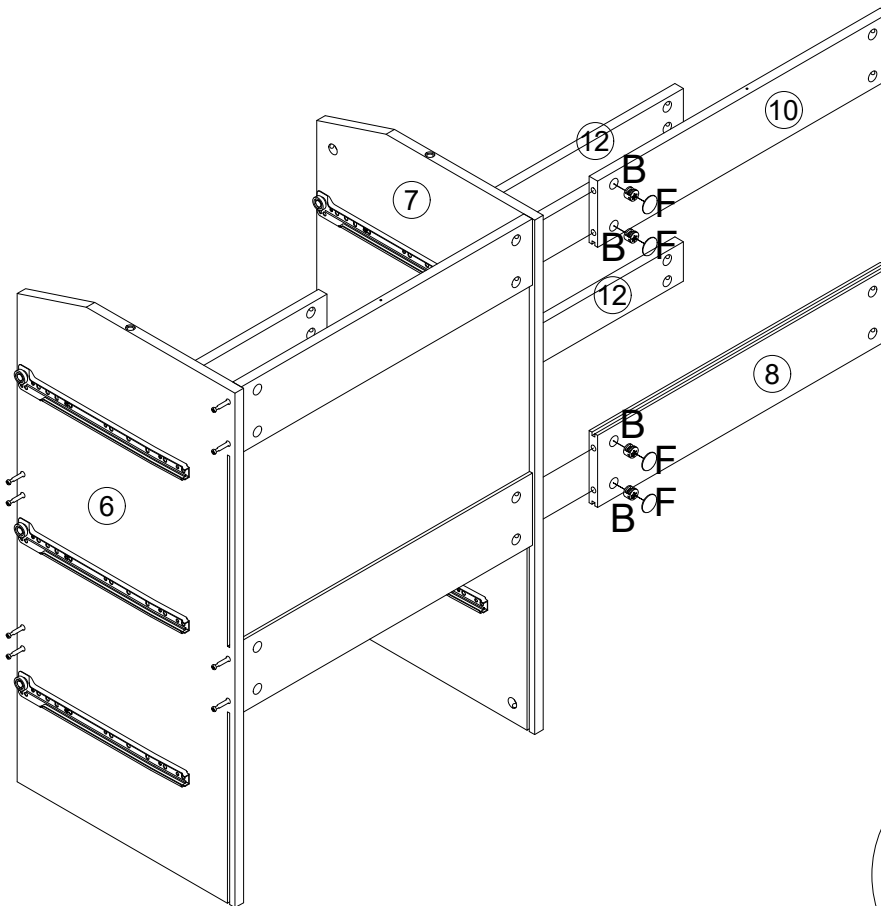
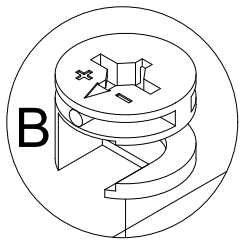
Step 5



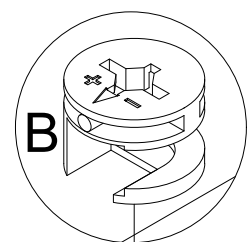
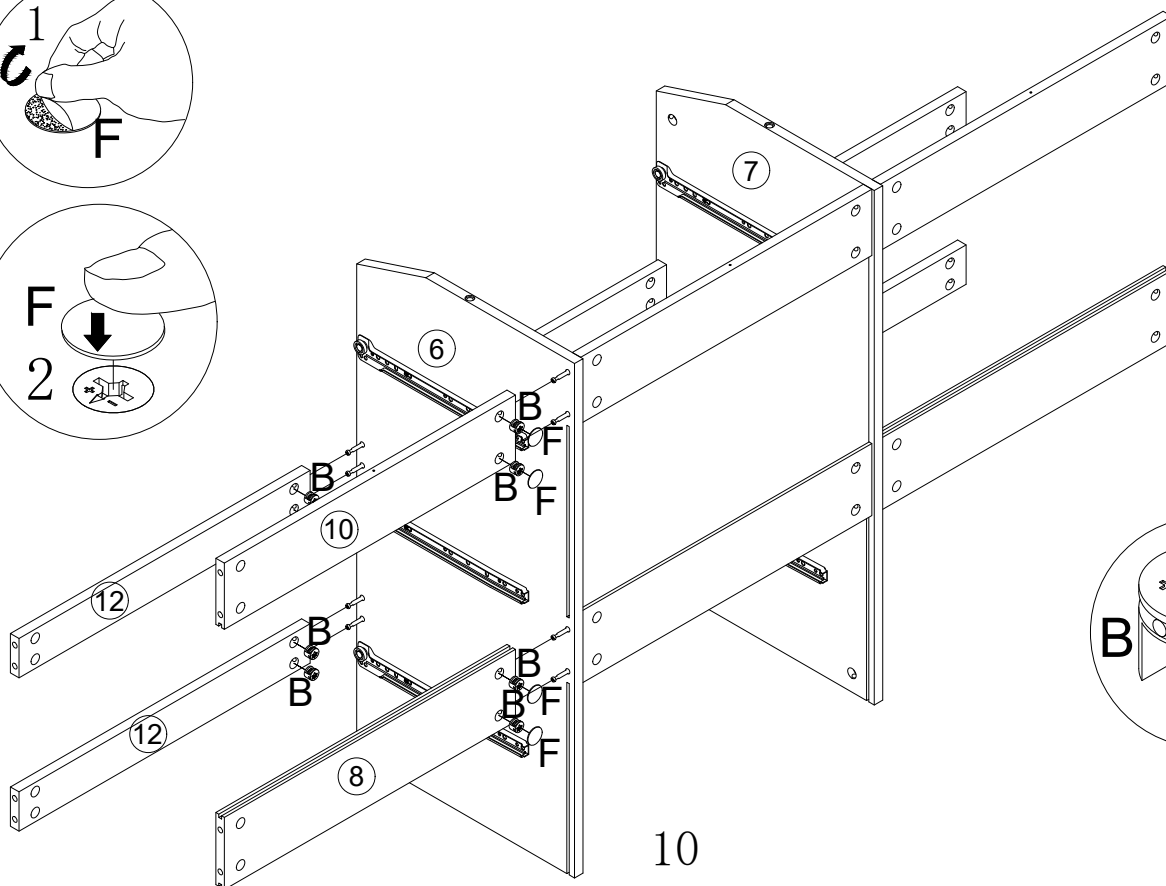
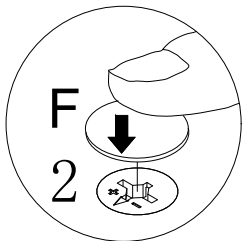
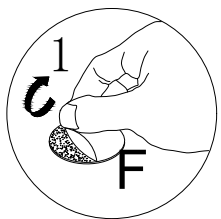
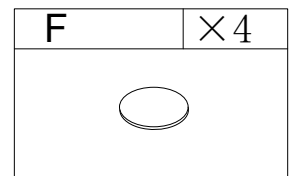
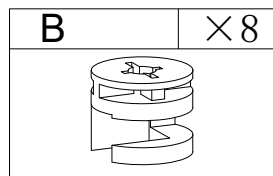
Step 6




Step 7

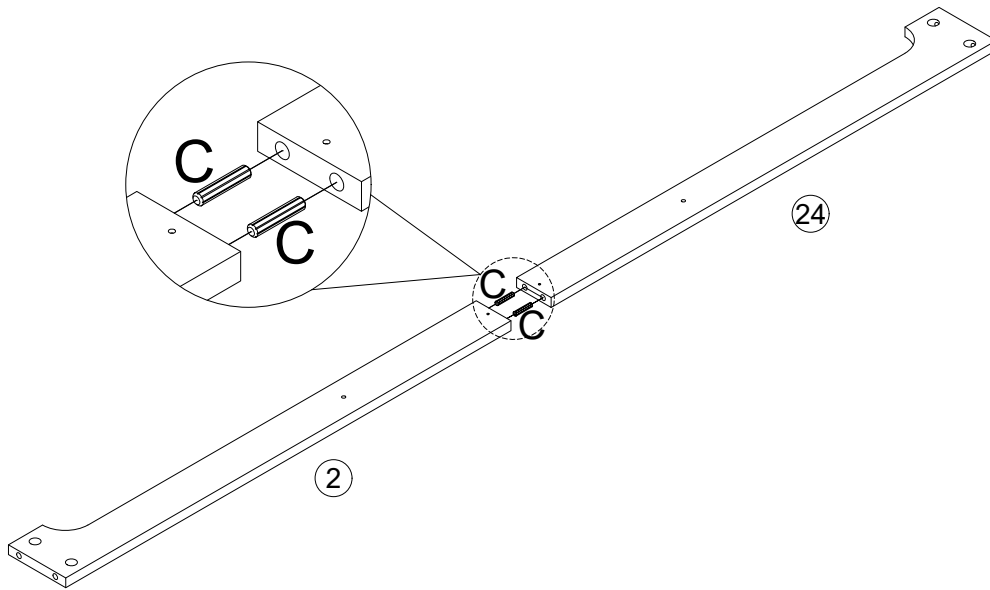


Step 8

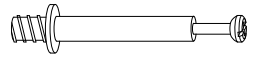



Step 9

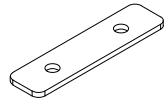
C	×2
	

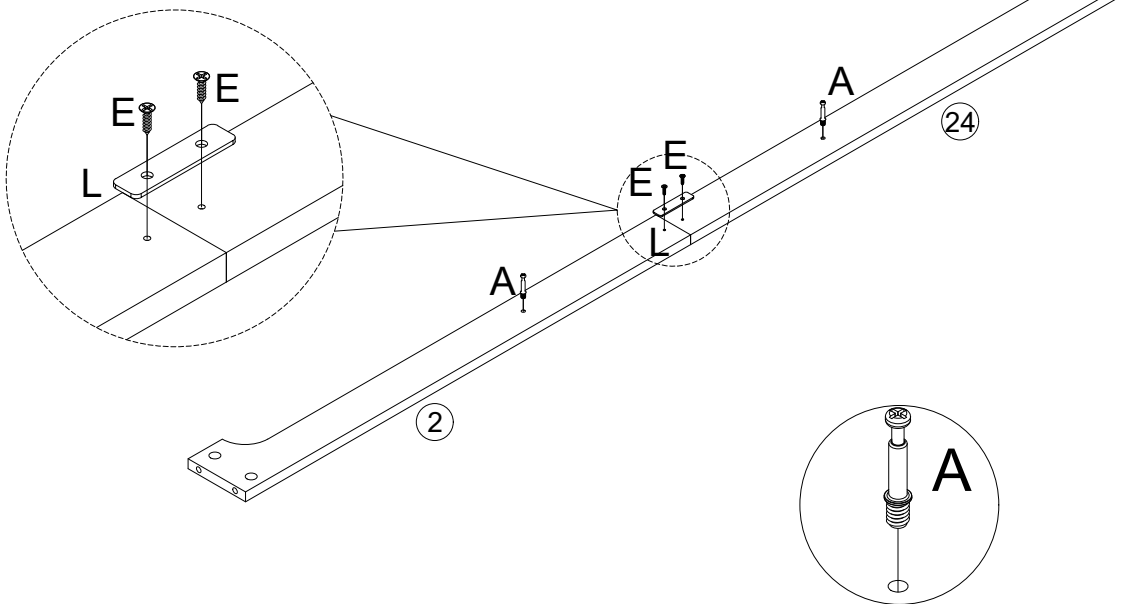


Step 10

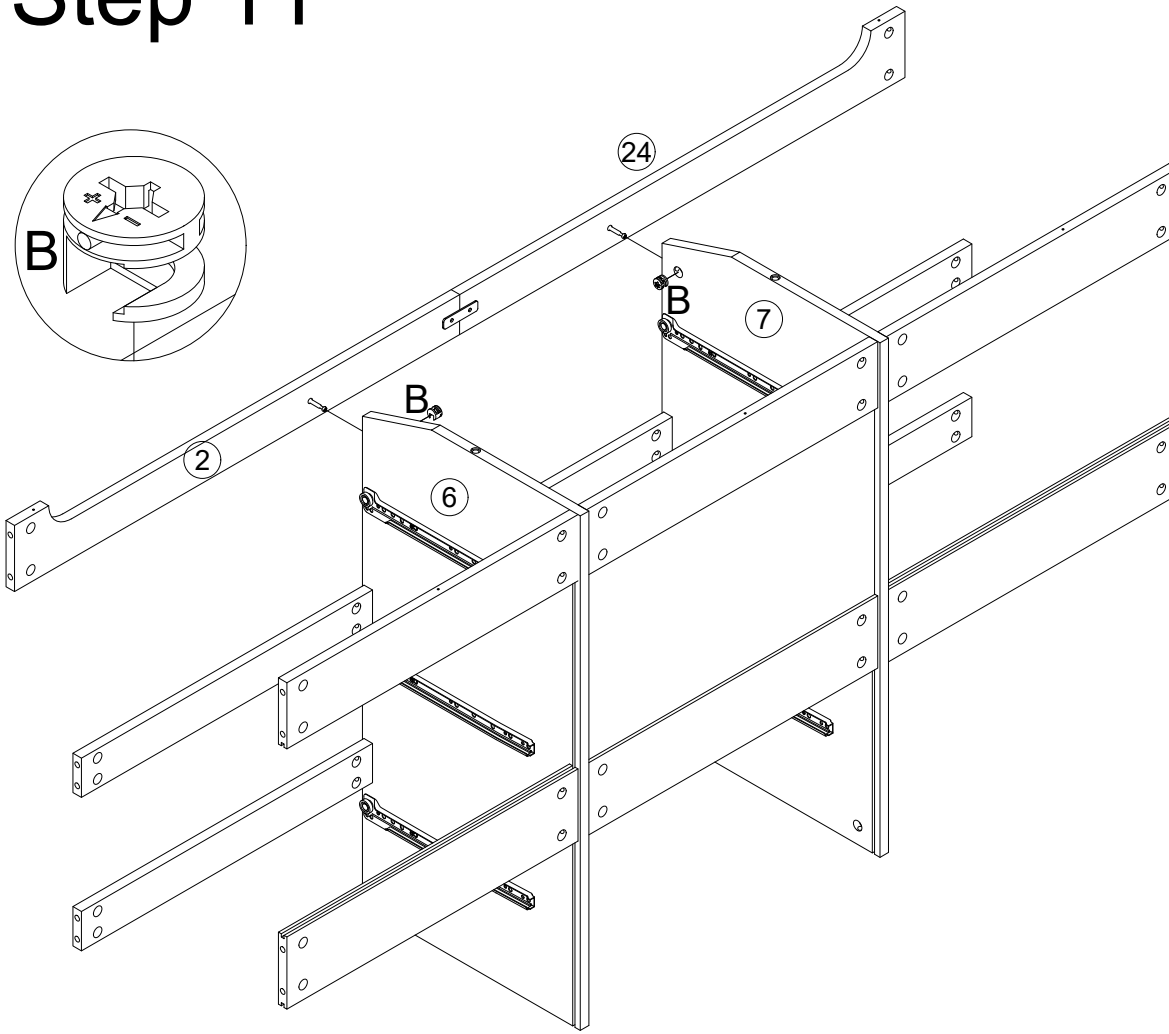
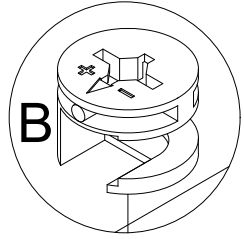
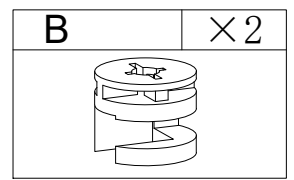
A	×2
	

E	×2
	

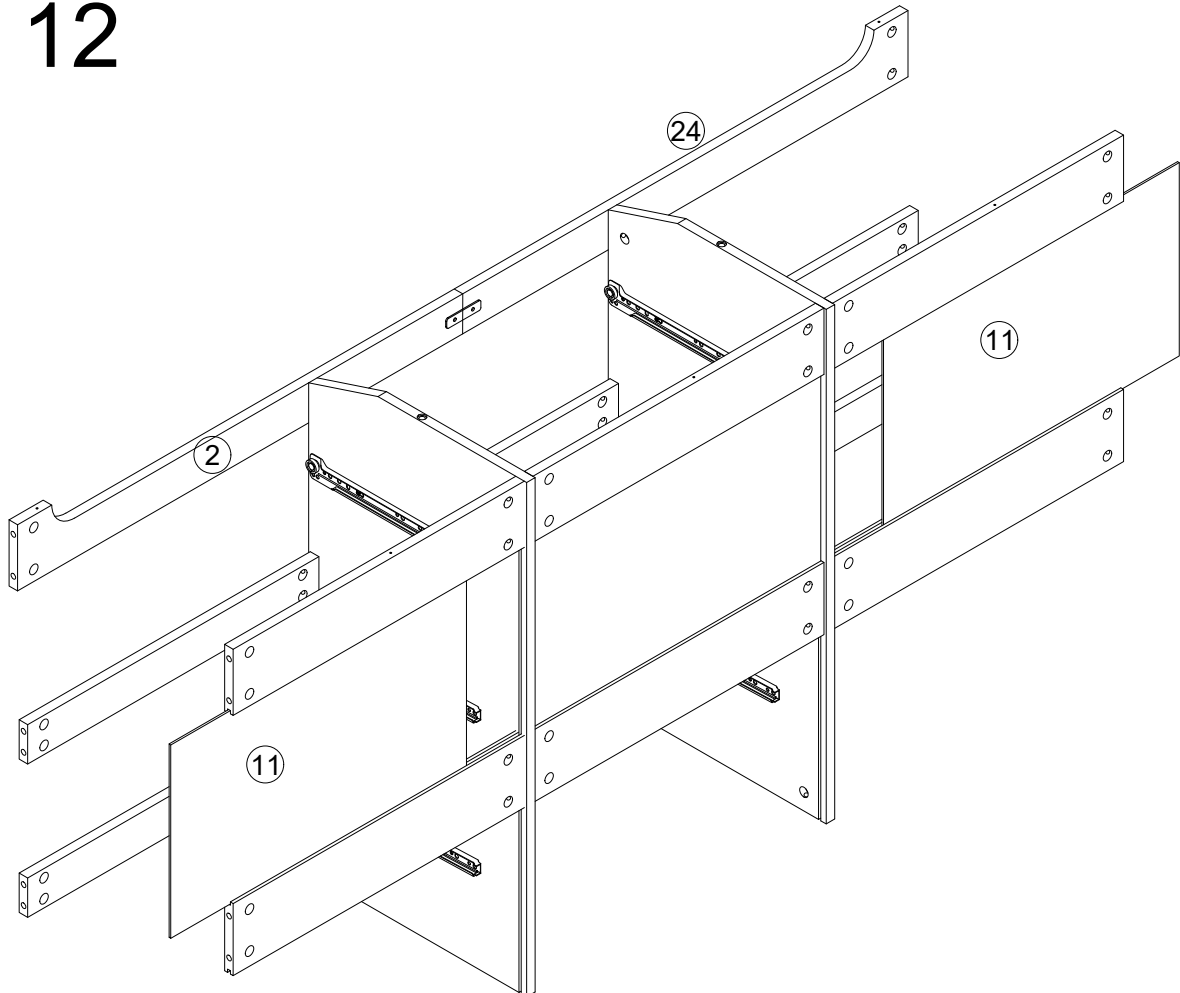
L	×1
	



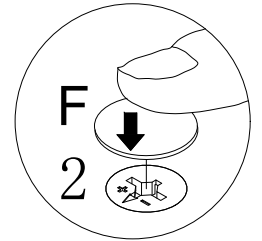
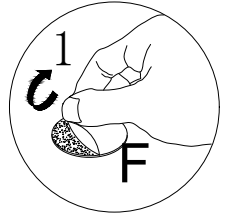
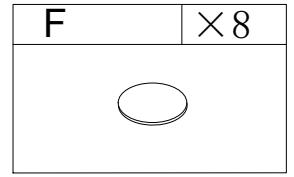
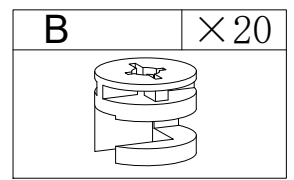
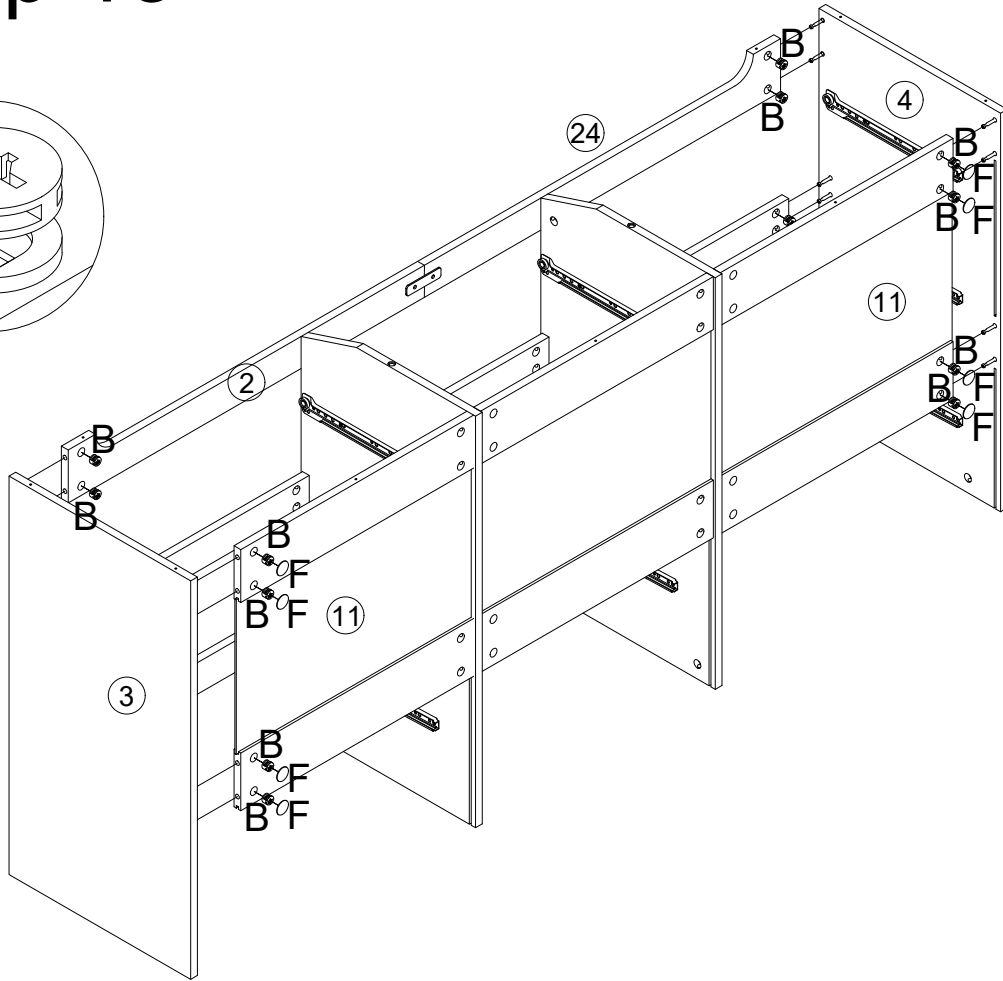
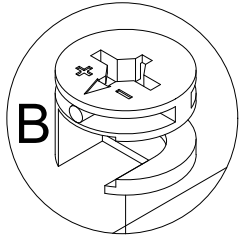
Step 11



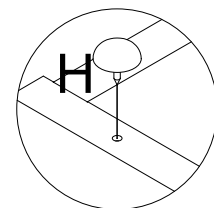
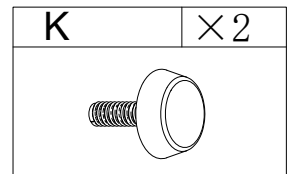
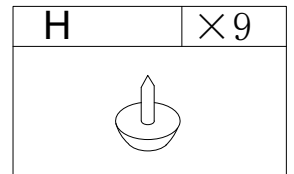
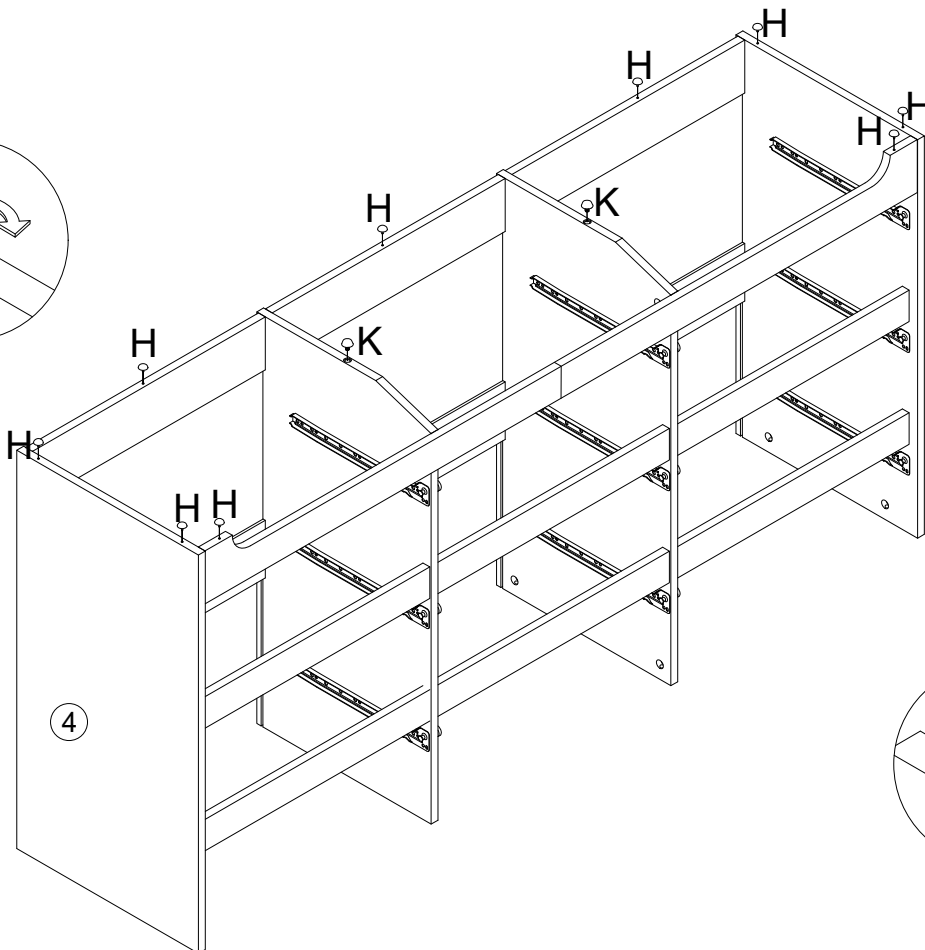
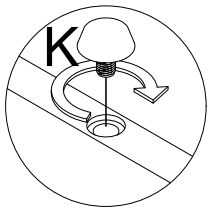
Step 12



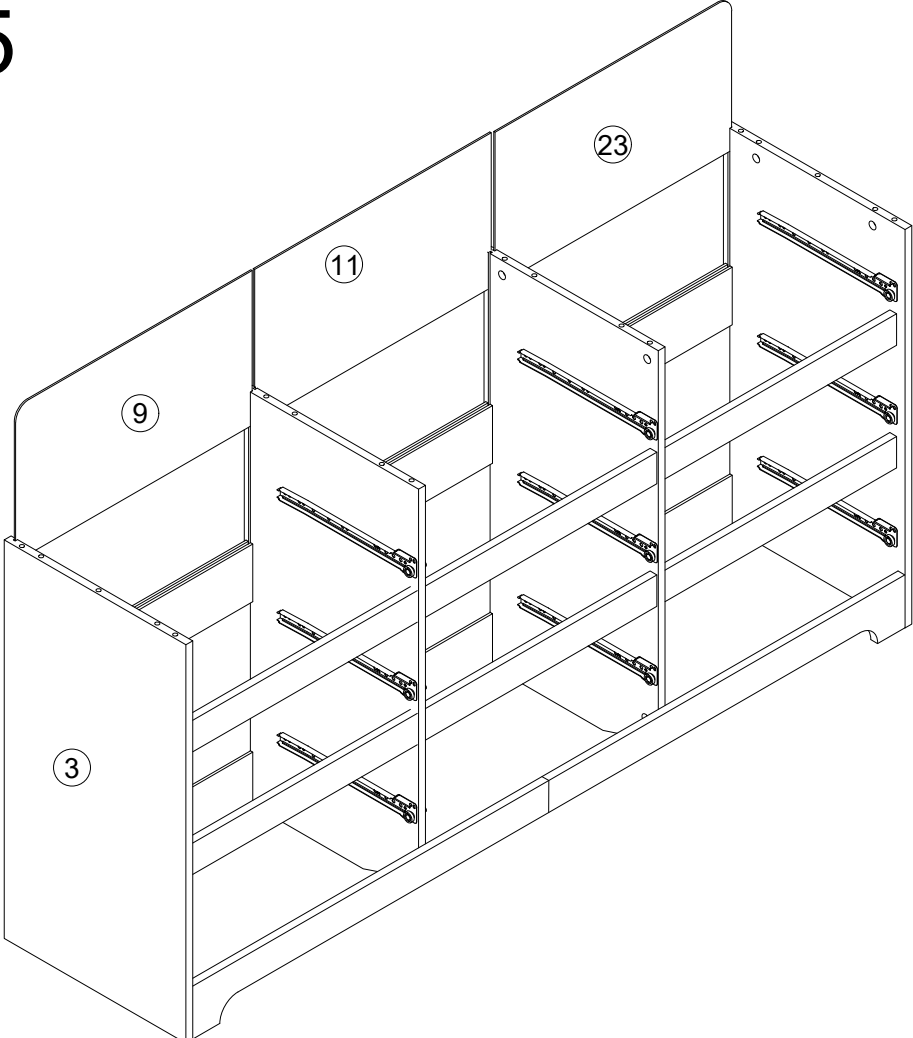
Step 13



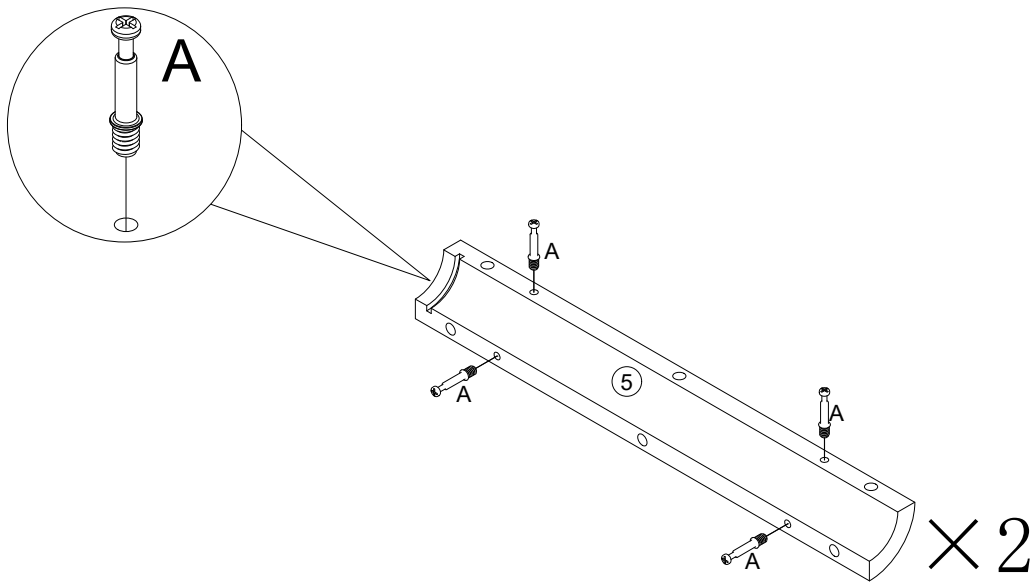
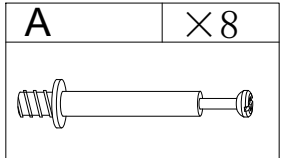
Step 14



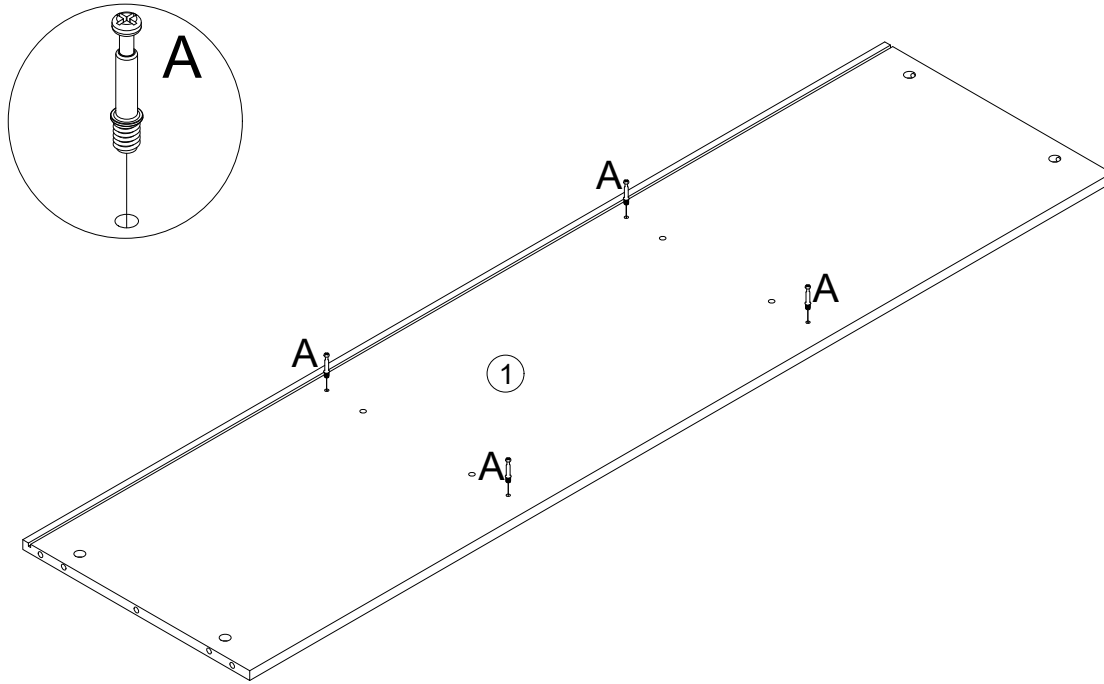
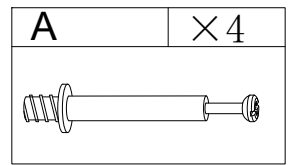
Step 15



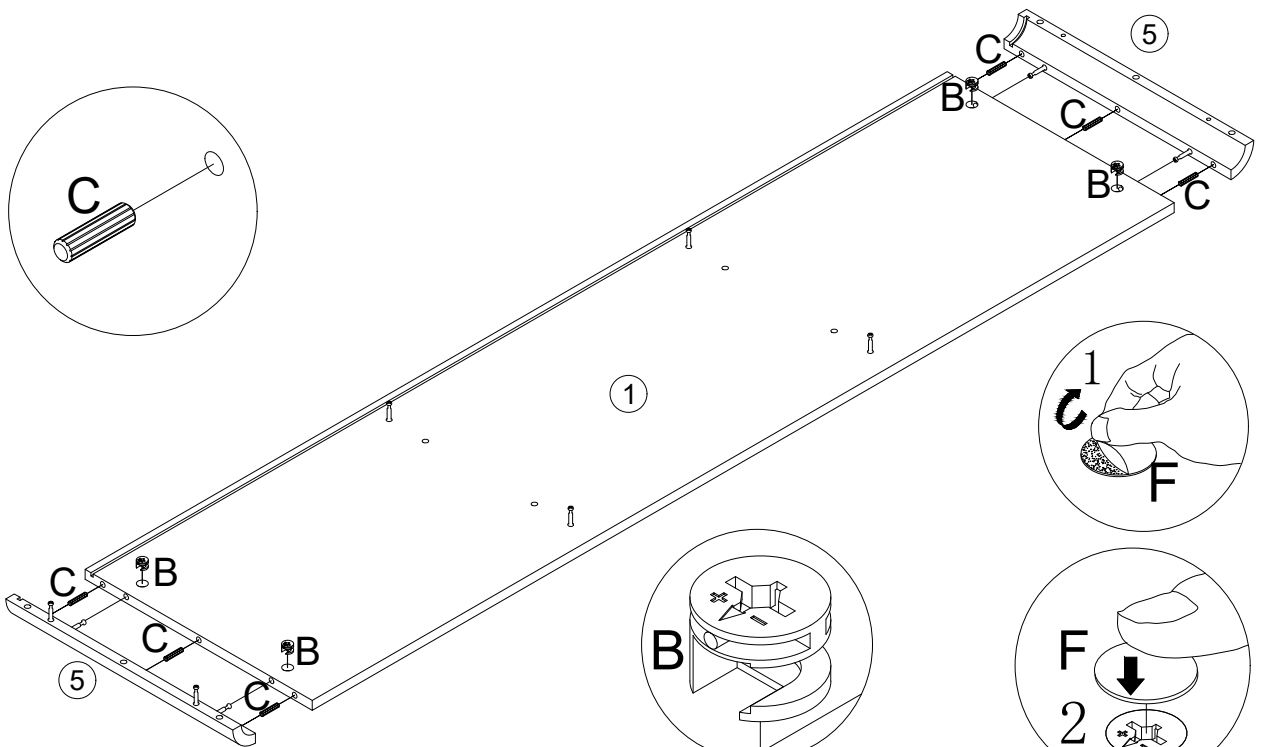
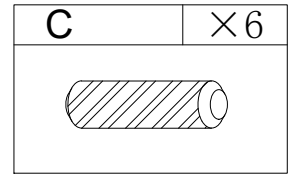
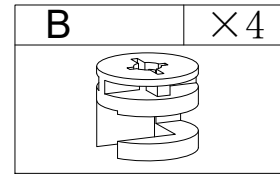
Step 16



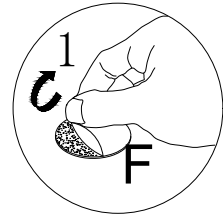
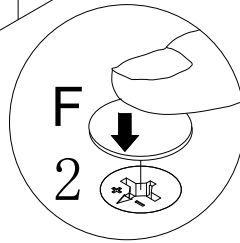
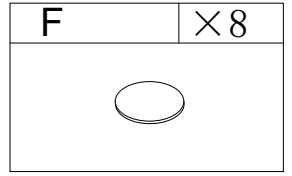
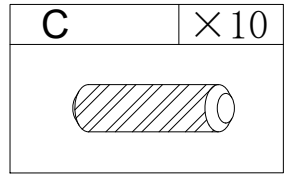
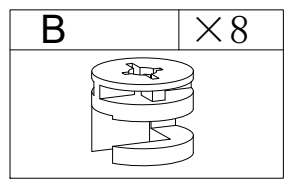
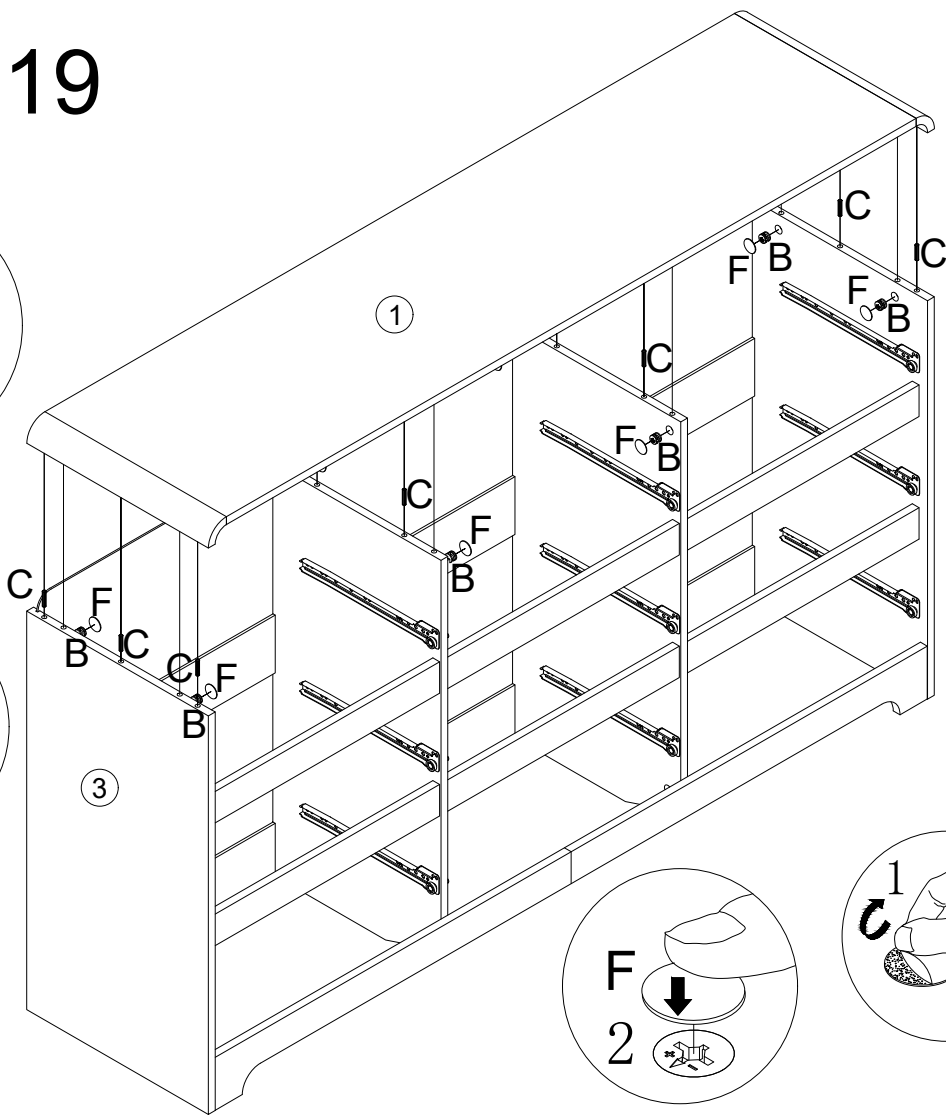
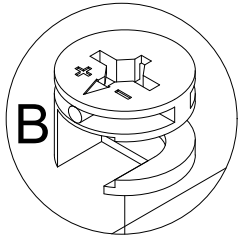
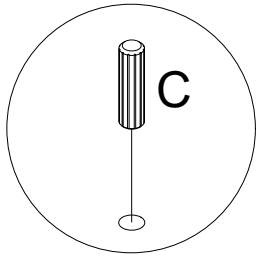
Step 17



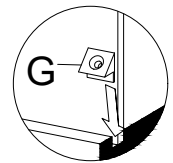
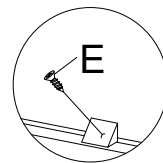
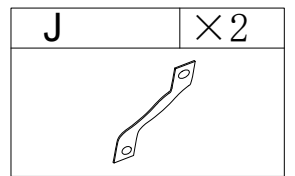
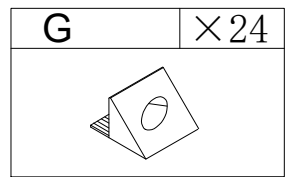
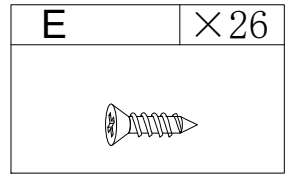
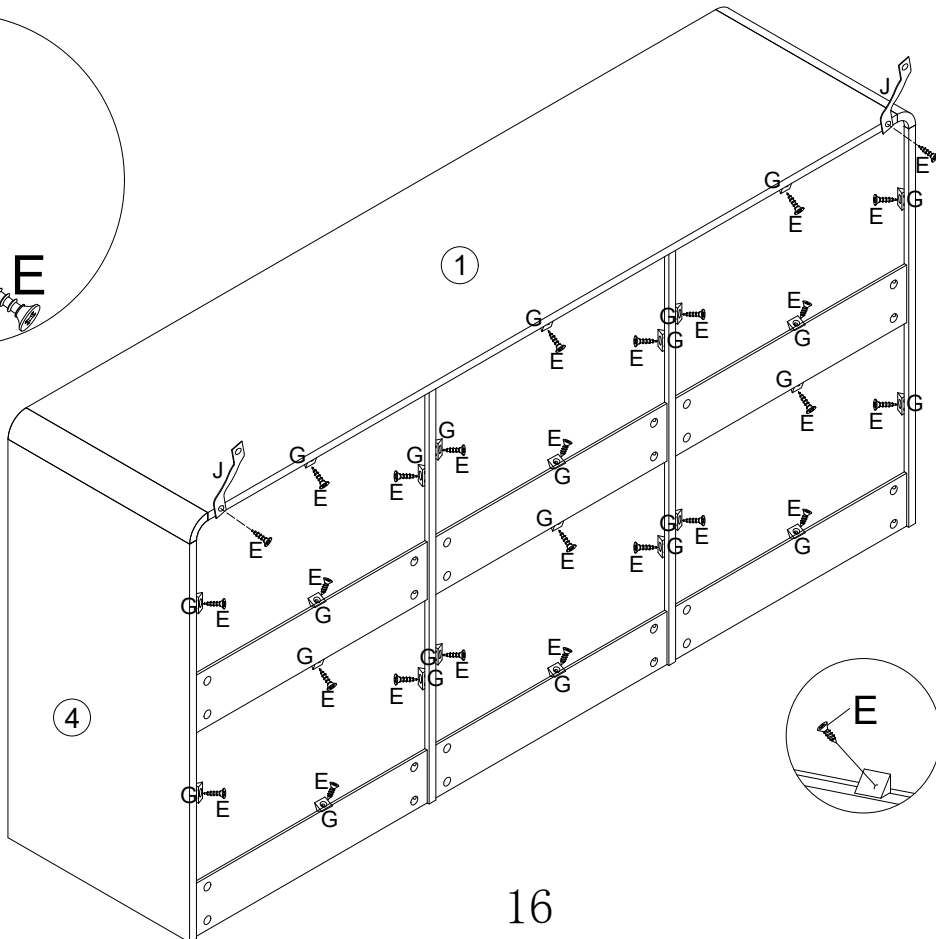
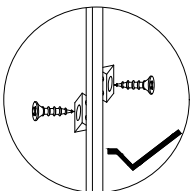
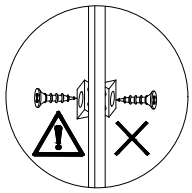
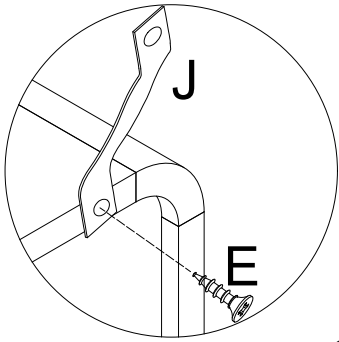
Step 18



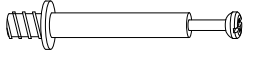
Step 19

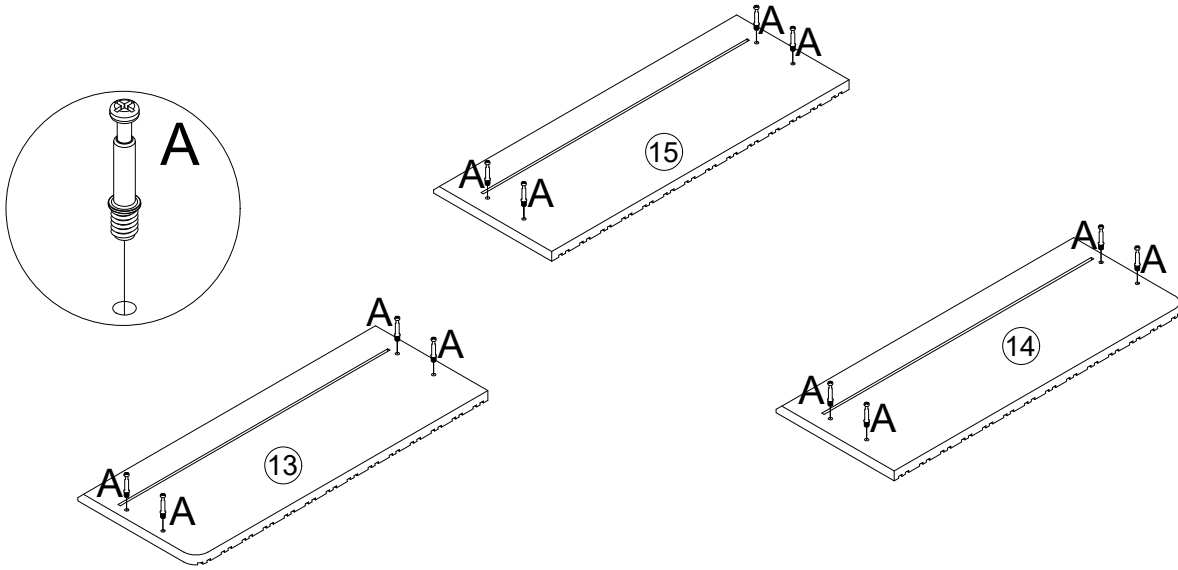


Step 20

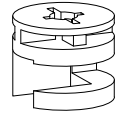


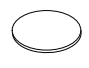
Step 21

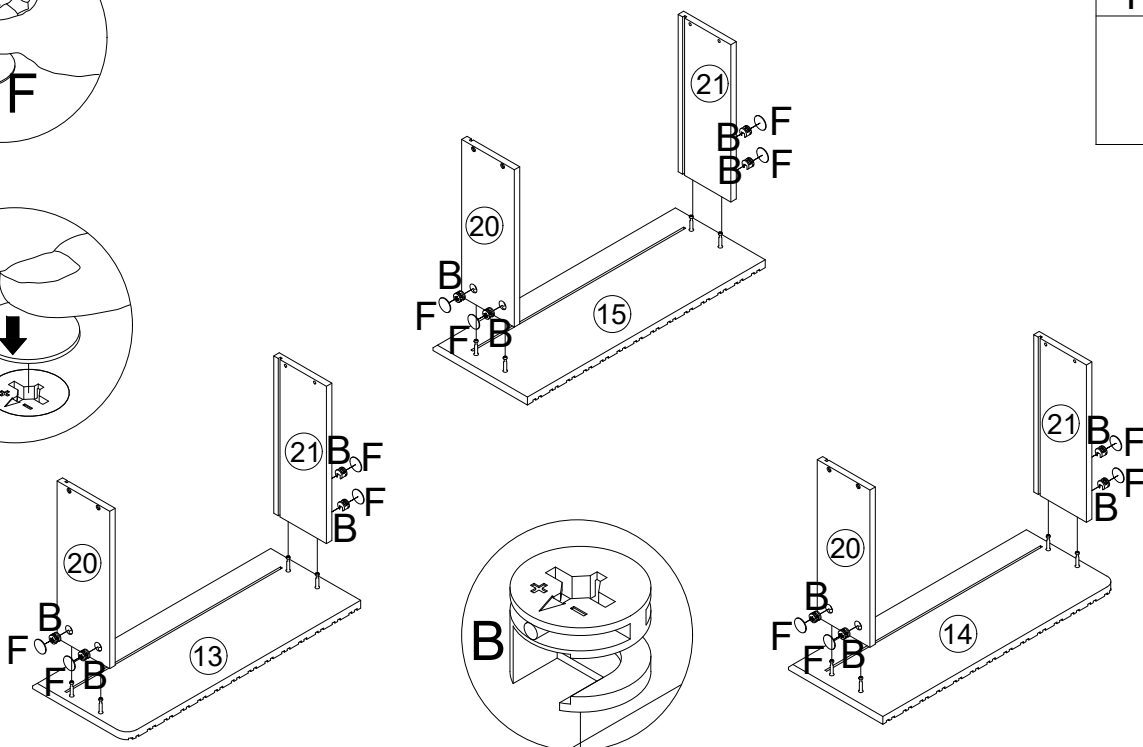
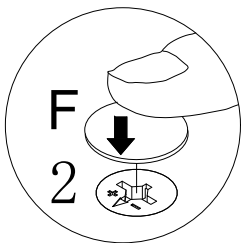
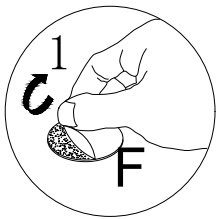
A	×12
	



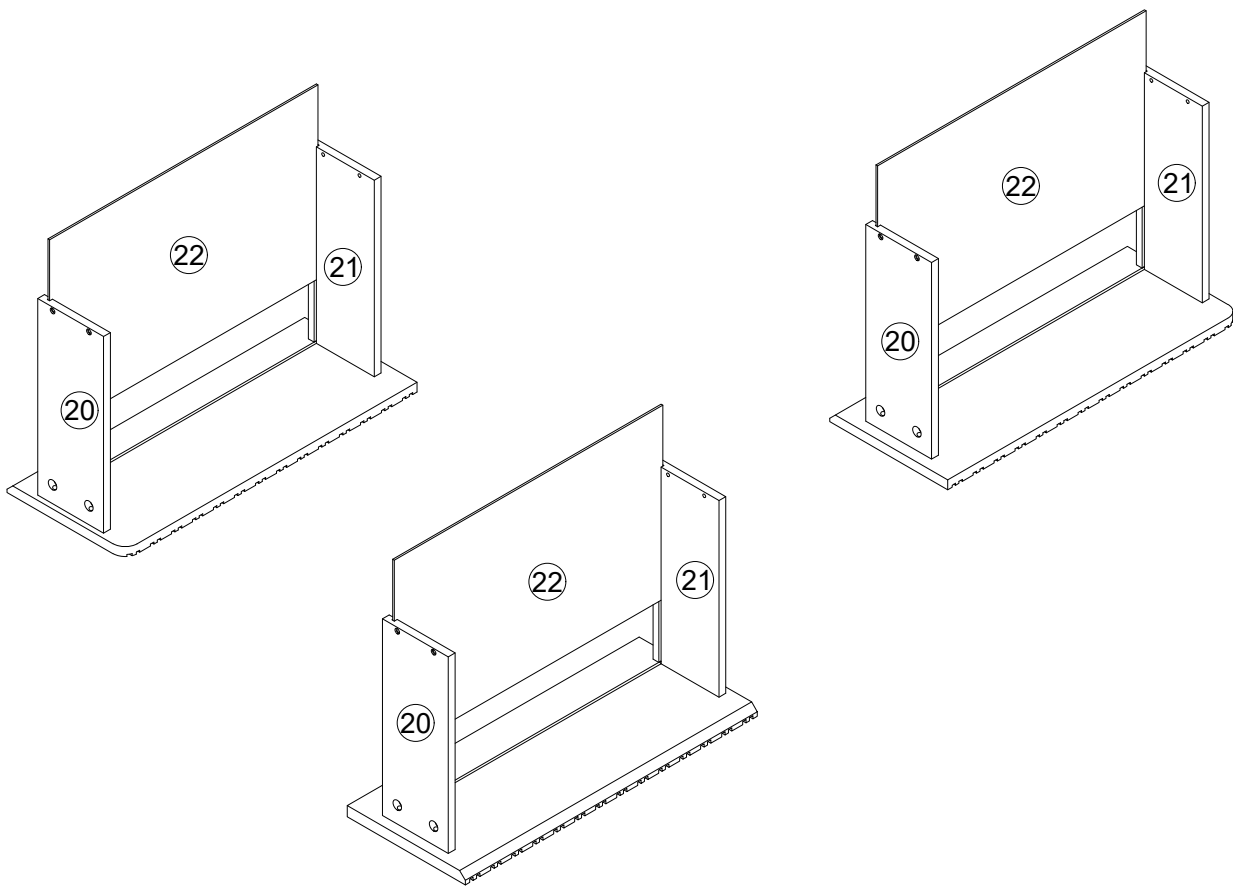
Step 22

B	×12
	

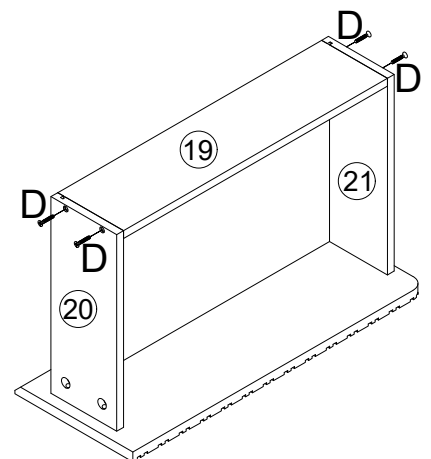
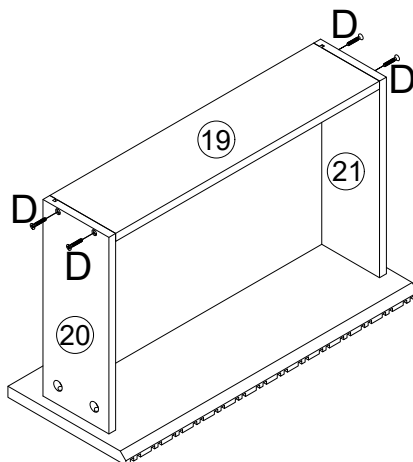
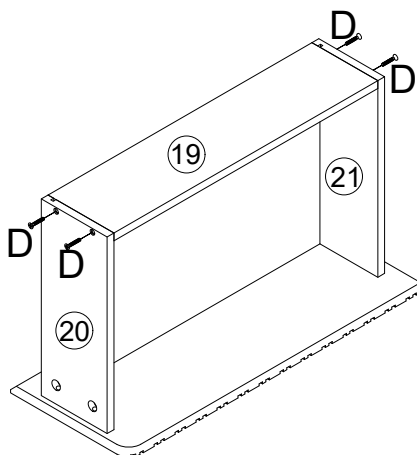
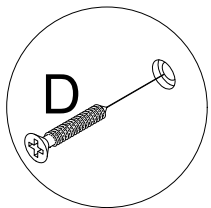
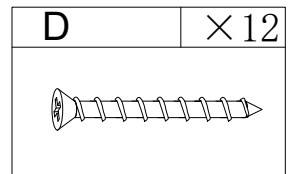
F	×12
	




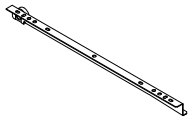
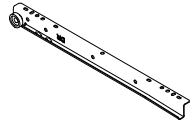
Step 23

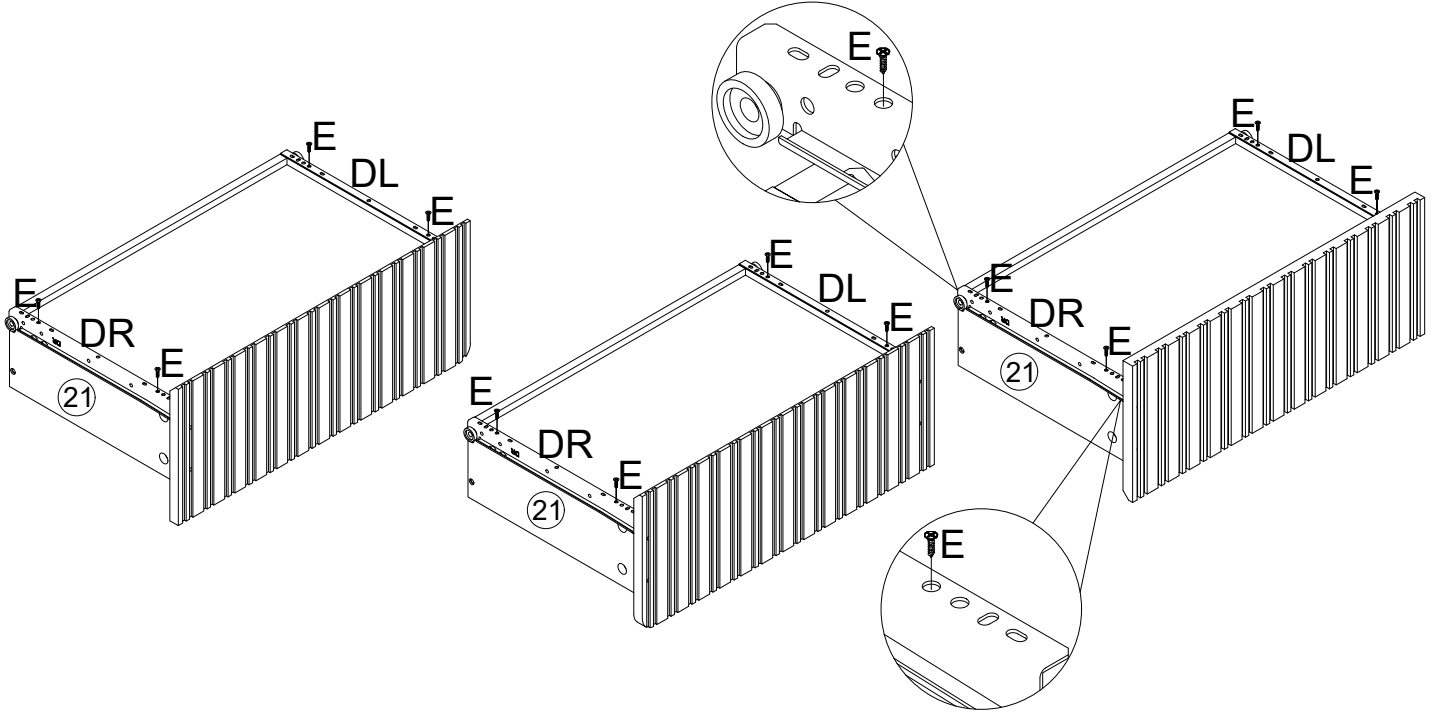


Step 24

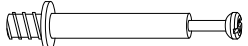


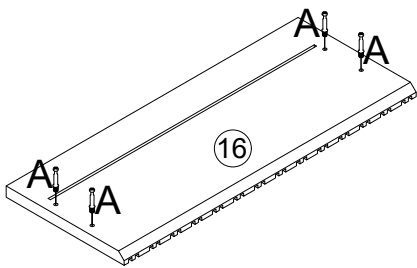
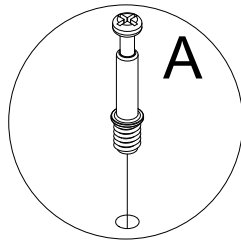
Step 25

E	×12	DL	×3	DR	×3
					

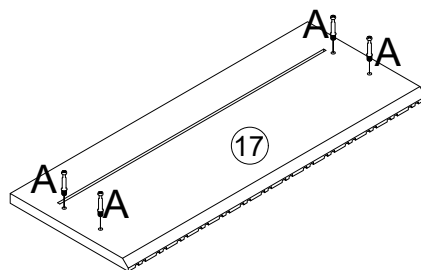


Step 26

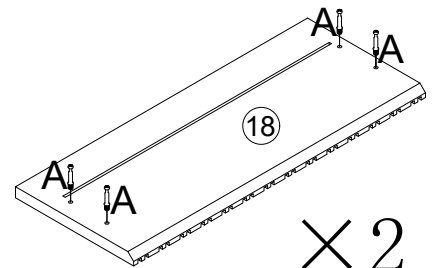
A	×24
	



×2

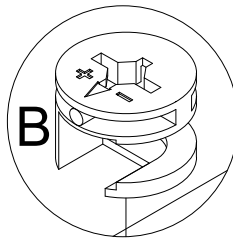
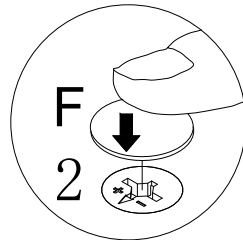
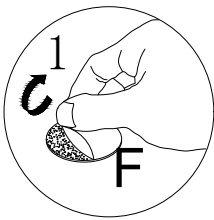
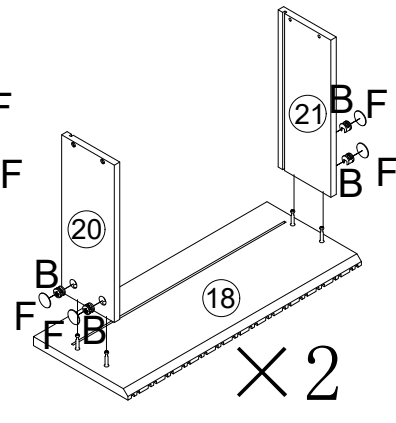
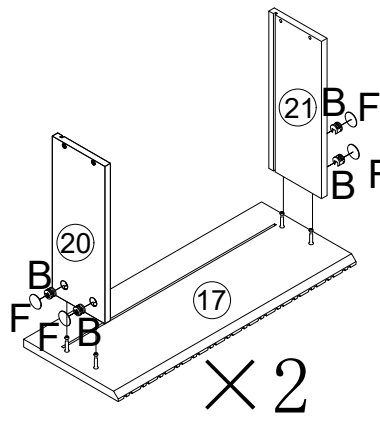
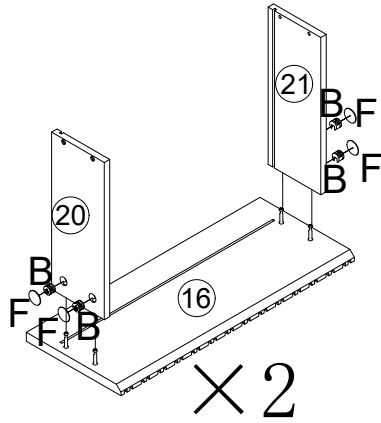
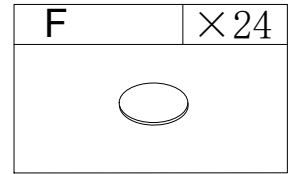
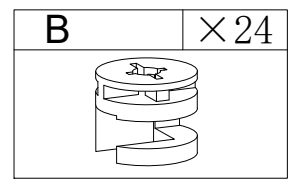


×2

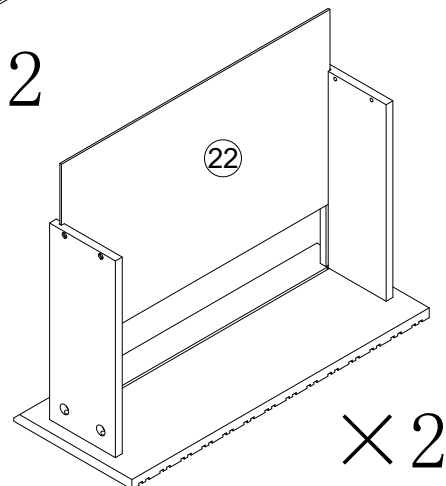
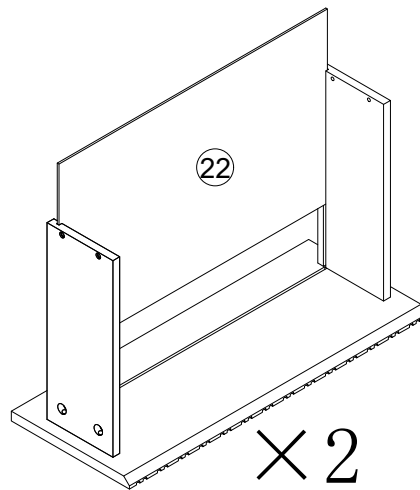
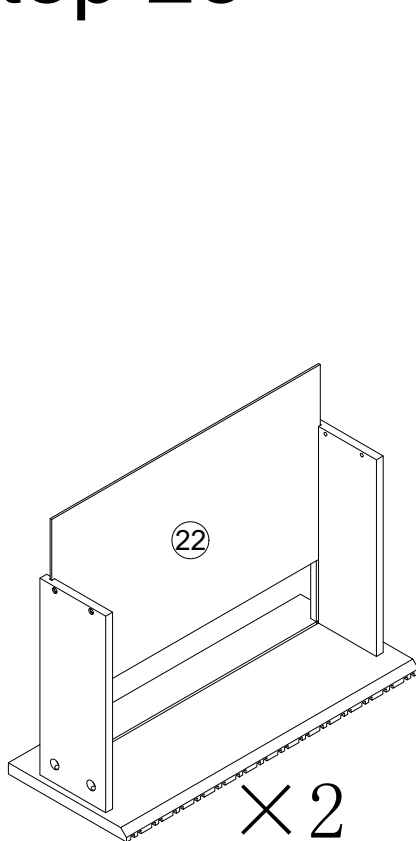


×2

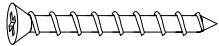
Step 27

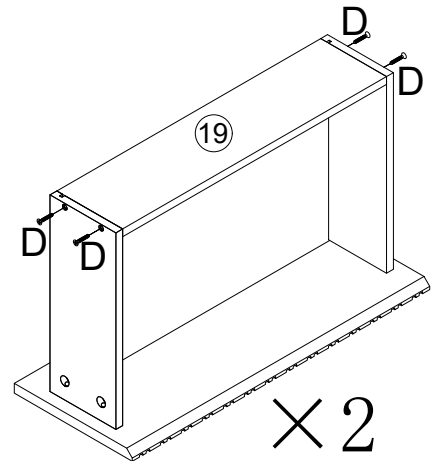
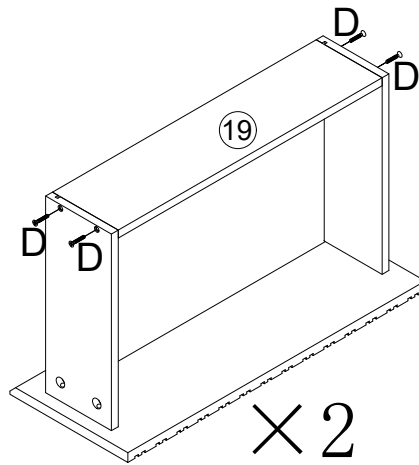
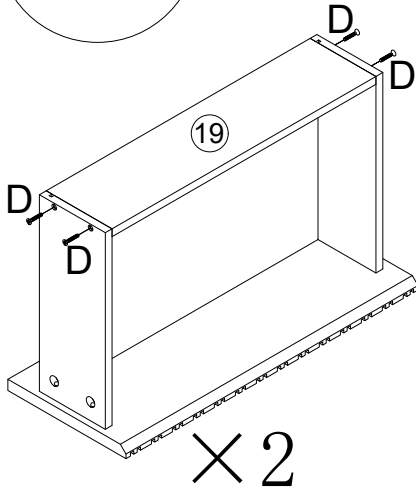
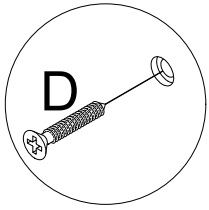


Step 28




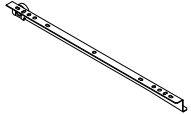
Step 29

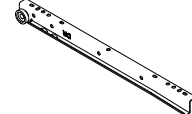
D	×24
	

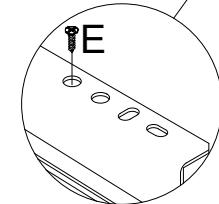
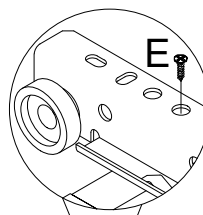
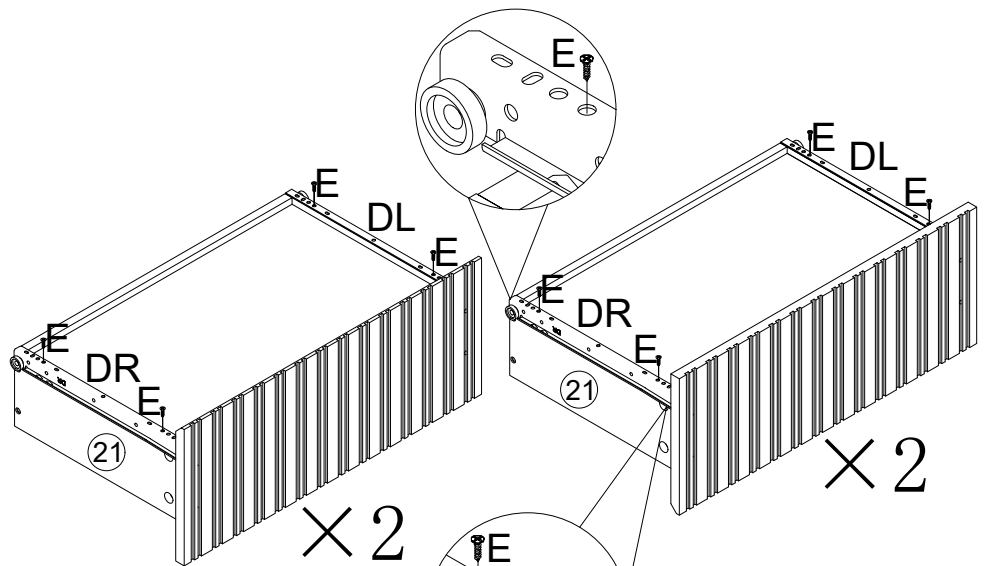
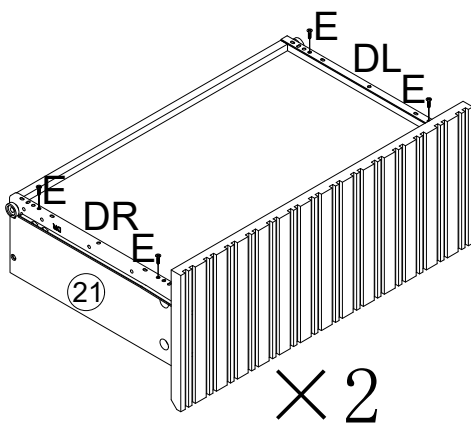
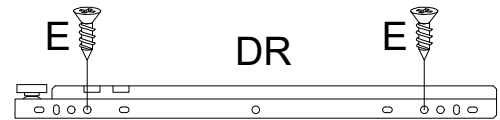


Step 30

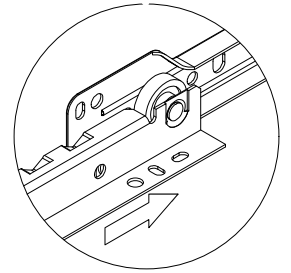
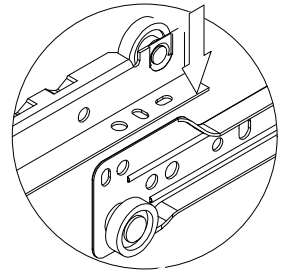
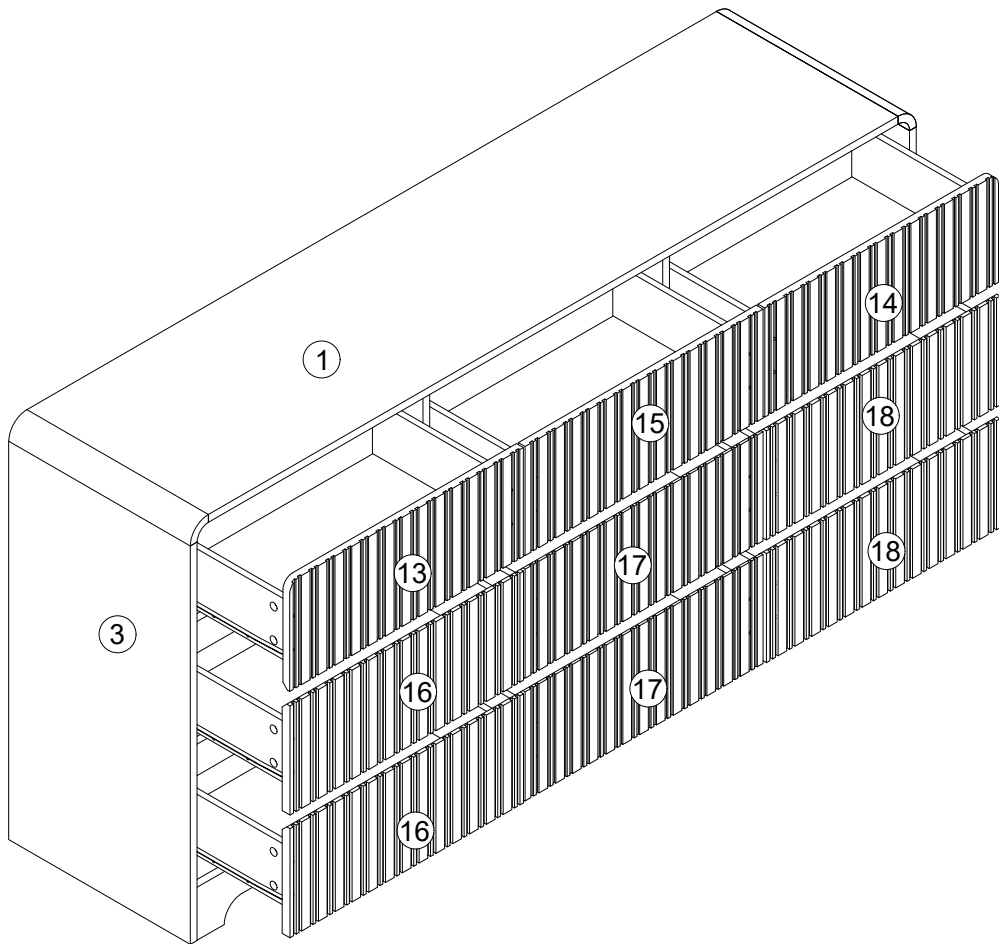
E	×24
	

DL	×6
	

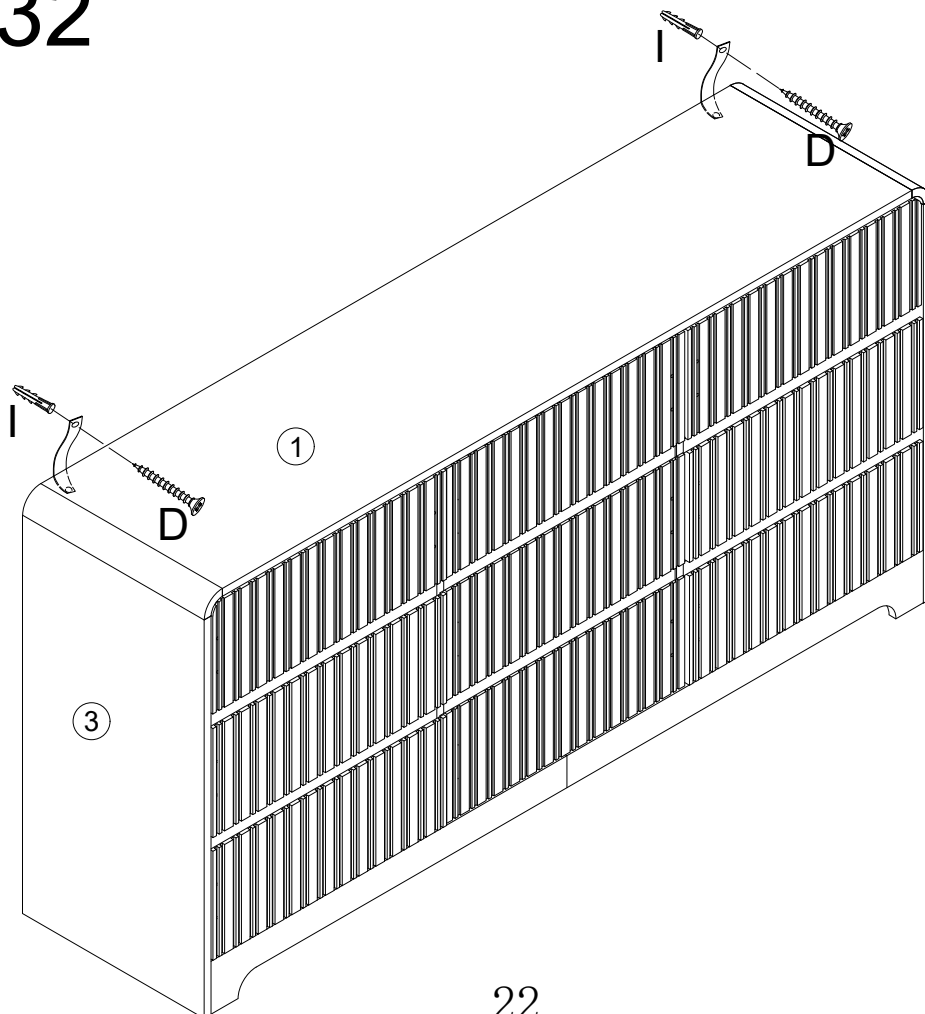
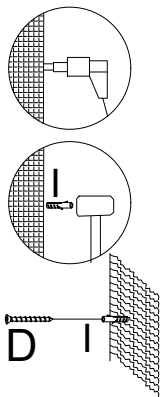
DR	×6
	



Step 31



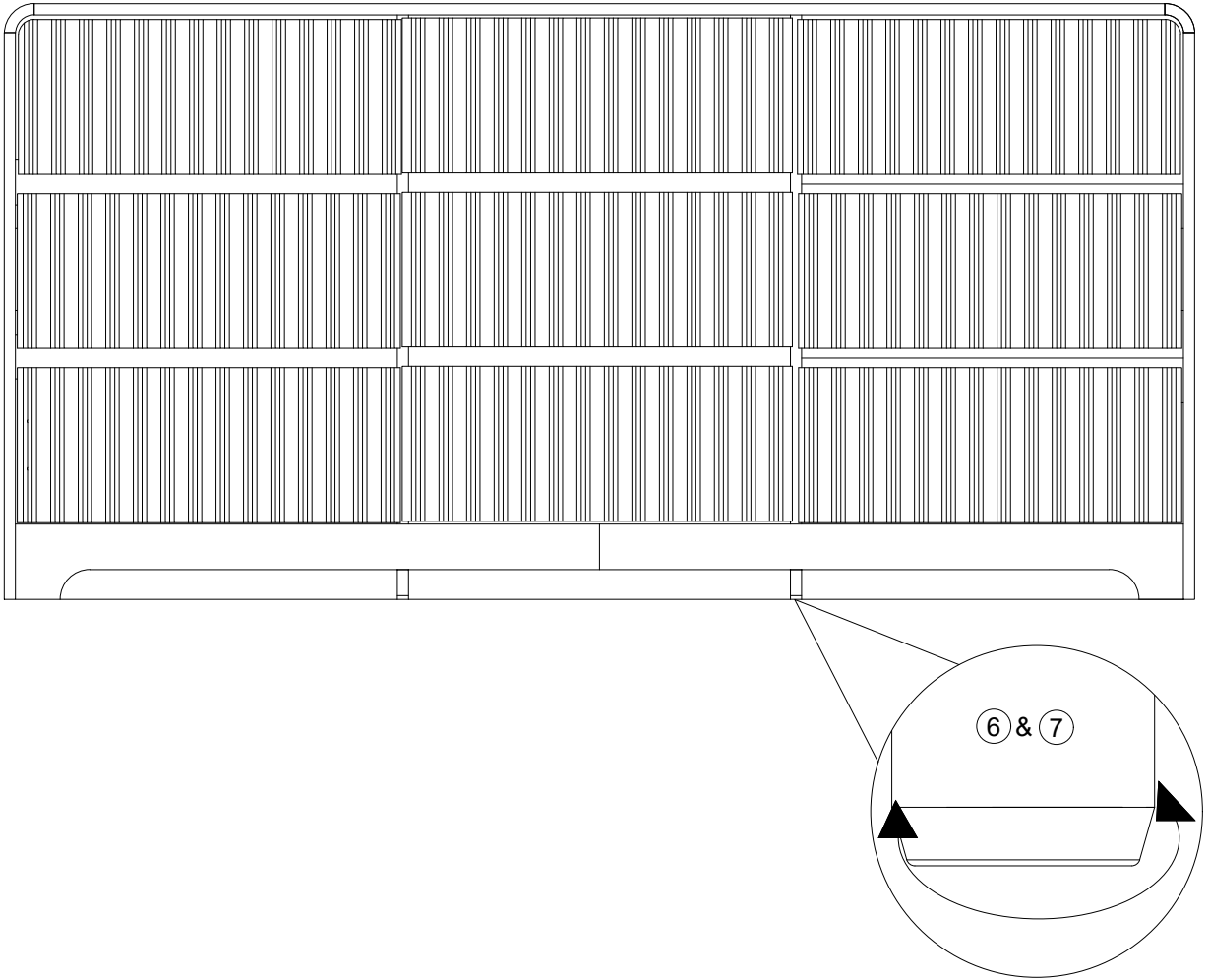
Step 32



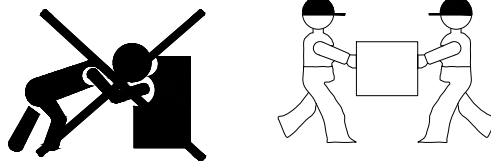
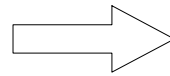
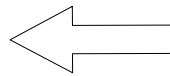
D	×2

I	×2

Step 33



If the center position of the cabinet is too high or too low due to uneven bottom plates or other reasons, adjust the adjustable foot pads on neutral plate 6&7 to adjust the upper and lower height



Two people work together to move the table. Make sure you lift it off the ground. Don't push and pull.