




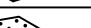
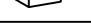


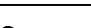








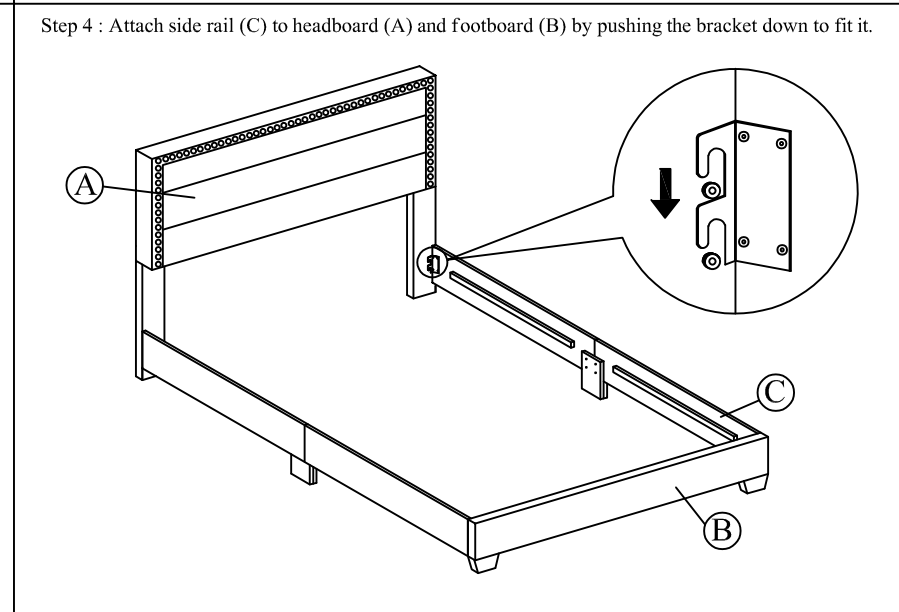
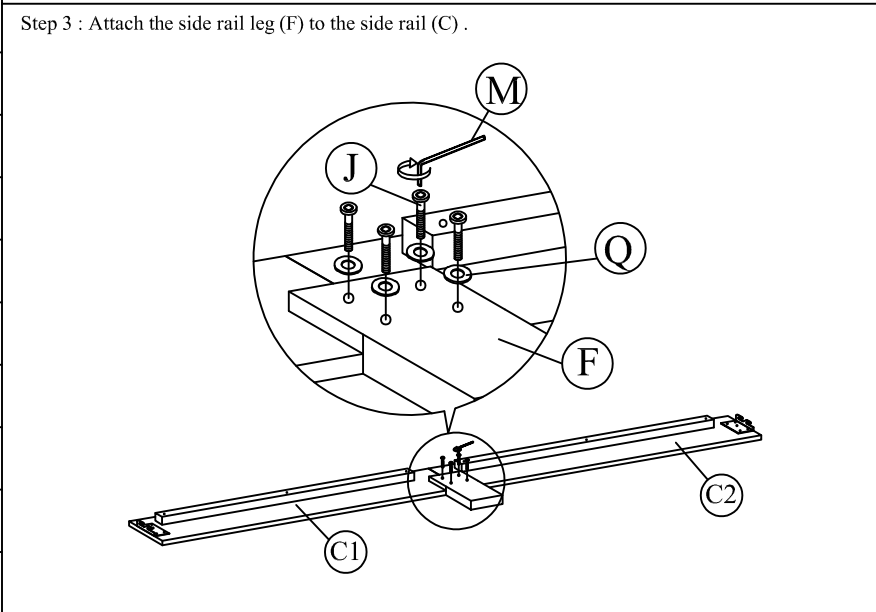
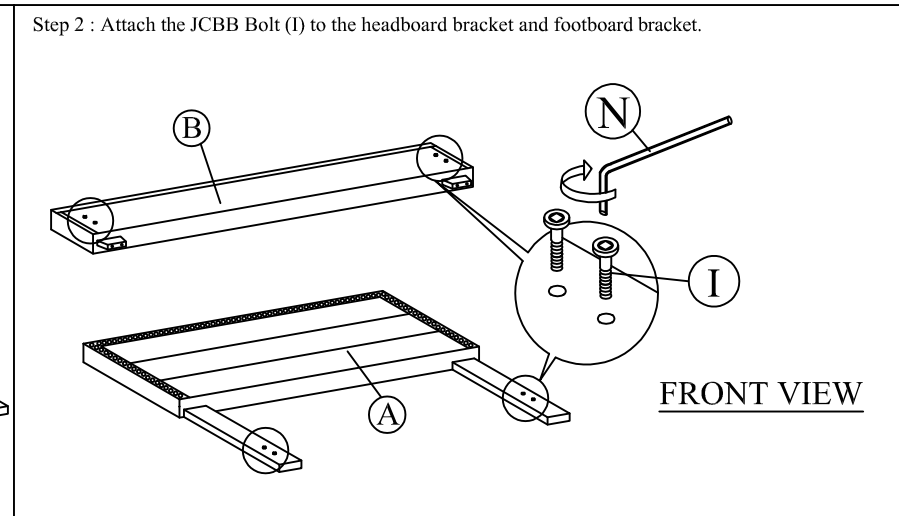
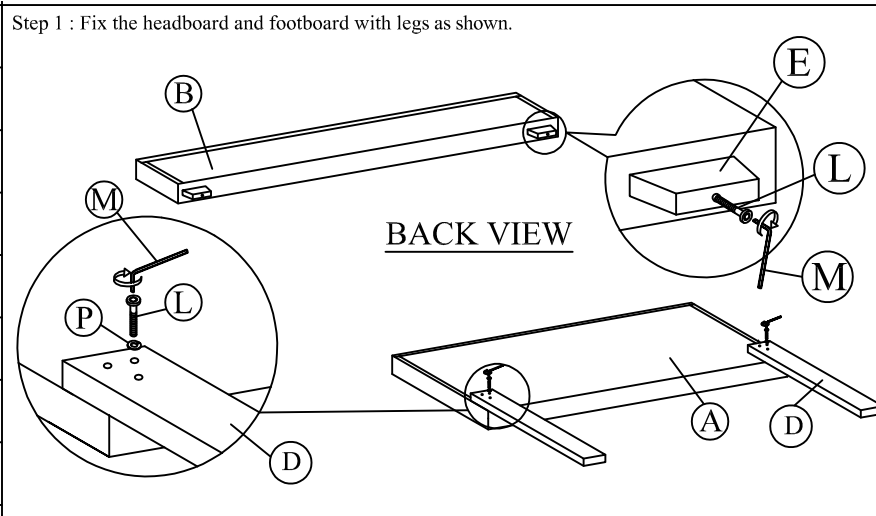
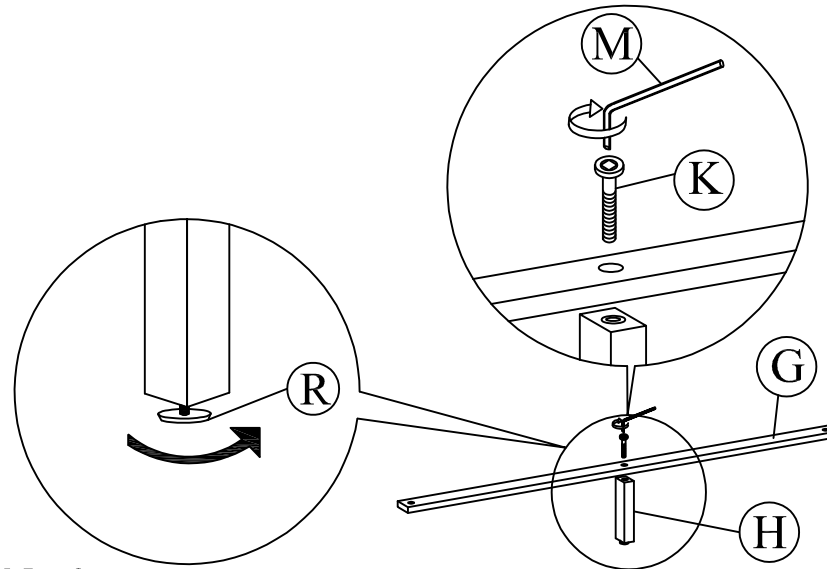


Assembly Instruction

A		Headboard	1pc
B		Footboard	1pc
C		Side Rail	4pcs
D		Headboard Legs	2pcs
E		Footboard Legs	2pcs
F		Side Rail Legs	2pcs
G		Slat	4pcs
H		Support Legs	4pcs
I		JCBB M8 x20	8pcs
J		JCBC M6 x 30	8pcs
K		JCBC M6 x 40	4 pcs
L		JCBC M6 x 50	8 pcs
M		Allen Key 100mm	1pc
N		Allen Key 70mm	1pc
O		CSK Screw 32mm	8pcs
P		Spring Washers	6pcs
Q		Flat Washers	8pcs
R		Adjuster	4pcs



Step 5 : Attach the support legs (H) to the slats (G).



ATTENTION:
Please keep the adjuster around 5 to 8 mm
distant away from the floor.

Step 6 : Tighten the 4 Corner with Allen Key (N). Install the bed slats to side rail. Tighten the slats with CSK screw. The distance of the slats should be sufficient to obtain desirable bed stability.

