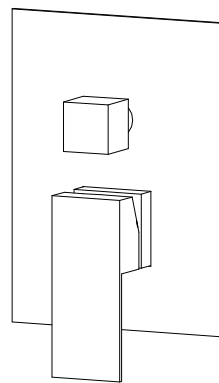
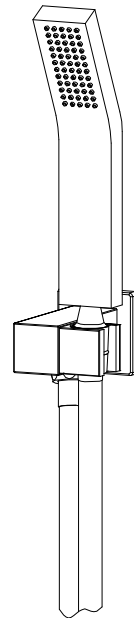
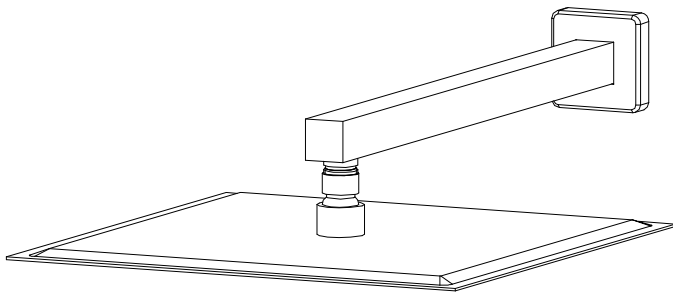


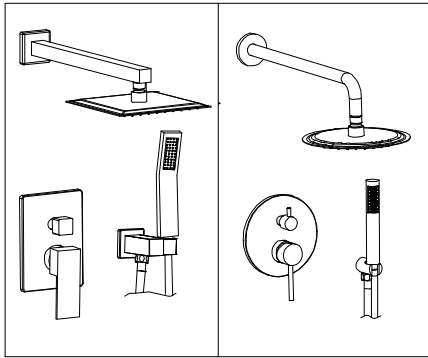
# DAULANDY

## PH0-0U6358HD

### Brushed Nickel



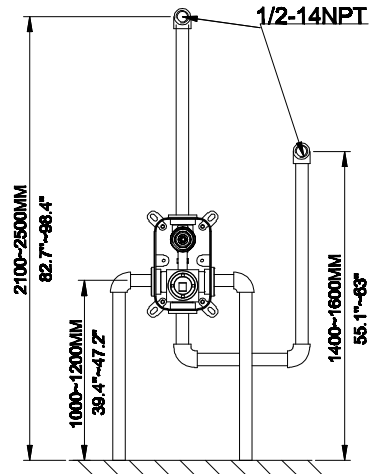
**Two Function Concealed Shower Set Installation**



**Tools You Will Need :**

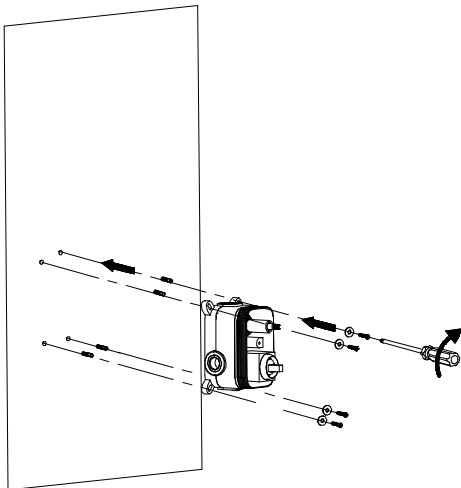
Screwdriver	Horizontal Ruler	Pipe Tape
Adjustable Wrench	Gloves	Allen Key

**1**



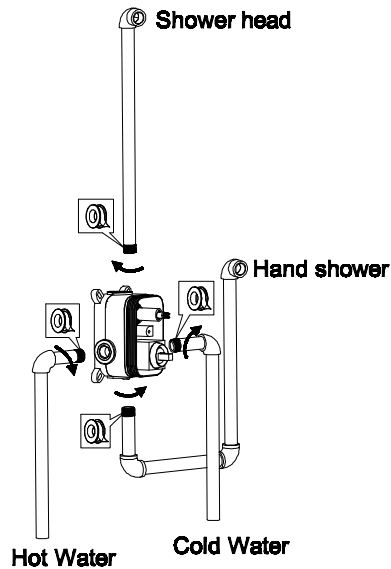
The installation dimension is for reference. Please adjust according to your actual space.

**2**



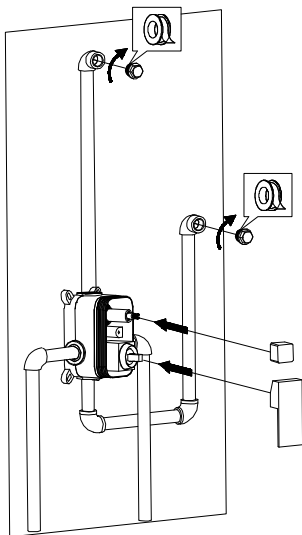
Confirm the installed place of the faucet and fixed on the wood block.

**3**



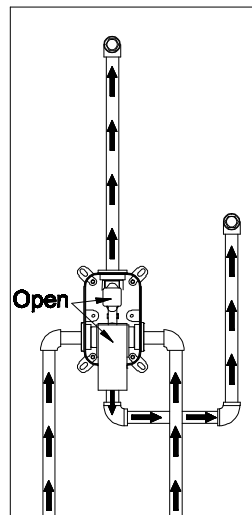
Connect the hot&cold inlet tube and outlet tube.

**4**



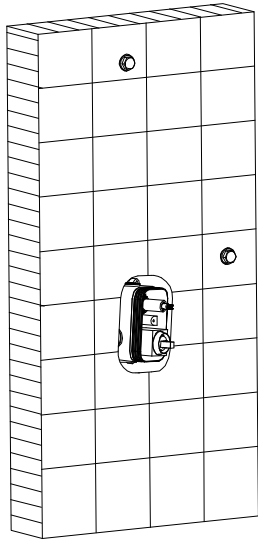
Inset the plugs for following leakage test.

**5**



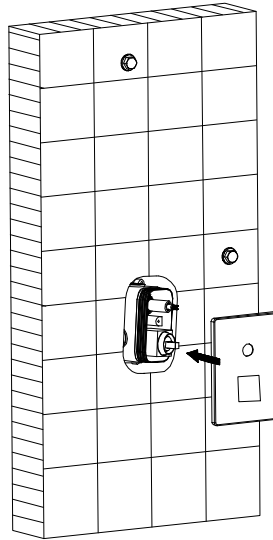
Open valve .Turn the switch to each water way.(handshower and shower head ),ensure no water leakage at each joint.

6



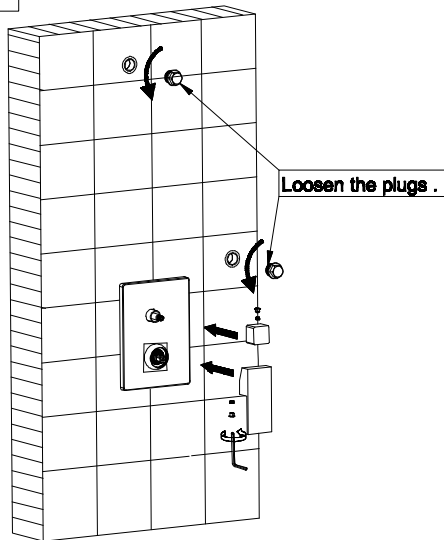
Fill the wall, stick tile.

7



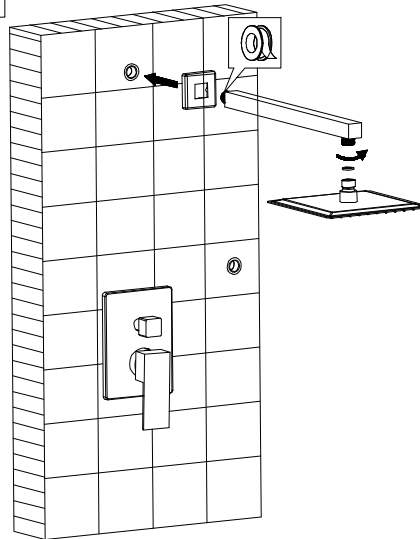
Lock the deck plate into the body and cling to the wall.

8



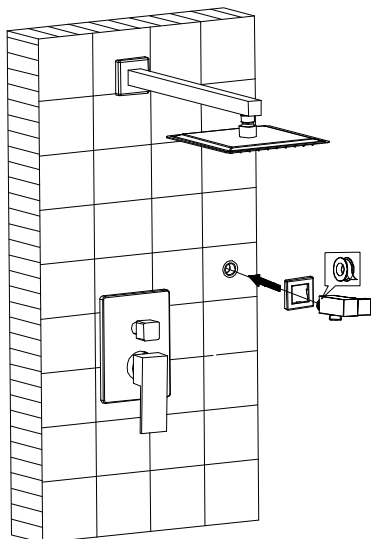
Put on the handle, then tight the screw.

9



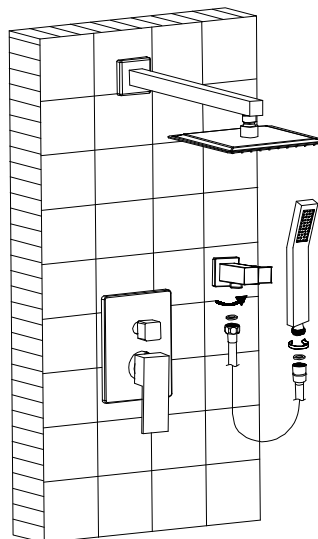
Install the cover, shower arm and shower head as the picture.

10



Install the cover and wall bracket as the picture.

11



Attach shower hose to wall bracket. Connect the shower hose conical nut to the handheld shower.