

# SHOE BOX

— Owner's Manual —



FOLLOW US:



# THANK YOU FOR PURCHASING OUR PRODUCT!

---

Endless possibilities with the new space Collection gave you!

Thank you for choosing our products as your home storage destination. We appreciate your business and the opportunity to serve you.

Take away all the unnecessary frills and clutter from your decor and give your home or office a new life. We offer a comprehensive storage solution that takes your pile and organizes it into a neat living arrangement. Our storage methods help you reclaim your living space to foster a stress-free, free-flowing, productive environment.

Thank You!

# Clik stackable shoe box

## Stackable Shoe Box - S



5.0—11 (US)  
Women's shoes

7.0—10 (US)  
Men's shoes

Available color : Clear, Grey  
Size: 33.4 x 23 x 14cm

## Stackable Shoe Box - M



7.0—12 (US)  
Men's shoes

Available color : Black  
Size: 35 x 25 x 18.7cm

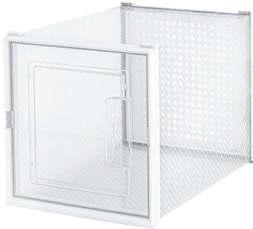
## Stackable Shoe Box - L



8.0—14 (US)  
Men's shoes

Available color : Clear  
Size: 36 x 28 x 21 cm

## Stackable High Heel Shoe Box



5.0—10 (US)  
Women's shoes

Available color : Clear  
Size: 21 x 22.5 x 33.4 cm

## Stackable Boot Box



Boot

Available color : Clear  
Size: 52 x 32 x 14cm

Complimentary:  
boot-shaper



## Clik stackable shoe box

### Stackable Organization Set-S

15PCS



Size: 33.4 x 23 x 14 cm

Ideal for: sneaker, casual shoes, slipper, kids shoes and so on

### Stackable Organization Set-L

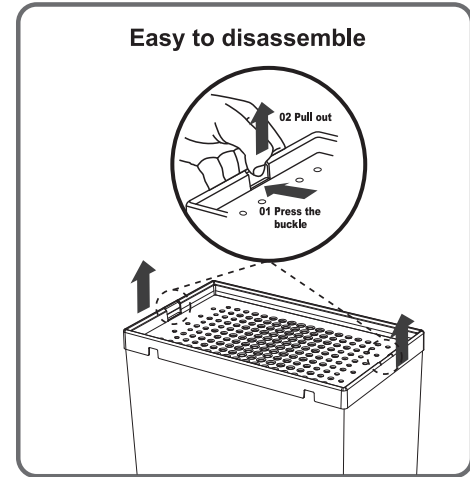
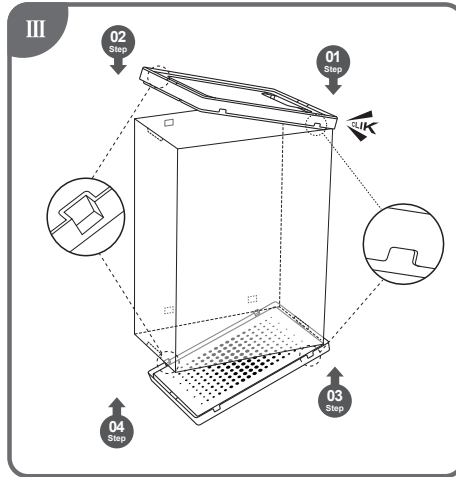
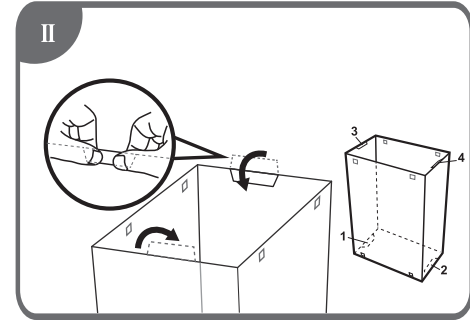
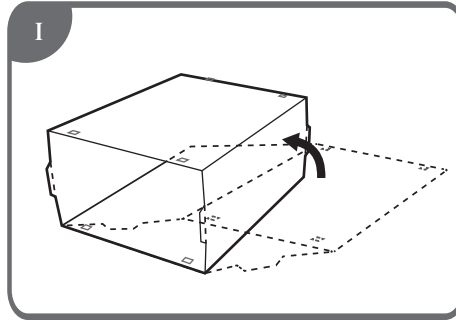
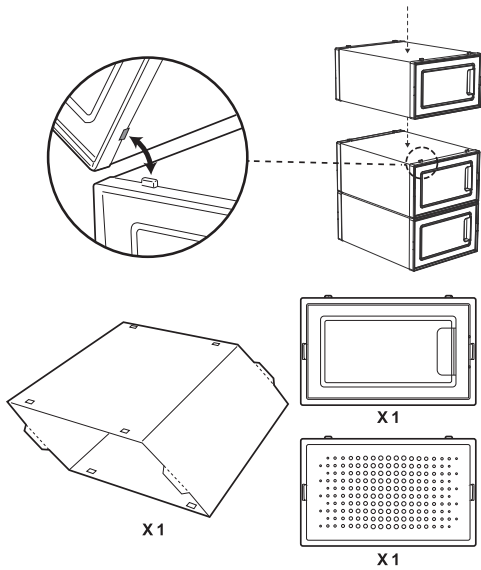
12PCS



Size: 36 x 28 x 21 cm

Ideal for: martin shoes, ankle shoes, it also suitable for closing, cosmetic and toys.

# Click stackable shoe box | Assemble Instruction



# Maintenance Guide:

---

- If stains are present on the surface, wipe clean with a damp cloth and air dry for 10 minutes.
- Avoid scratching the surface of the product with sharp objects.
- Long term exposure to the sun will deteriorate your product.
- During installation, be careful of sharp objects that may braze your skin.

# Usage scenarios



