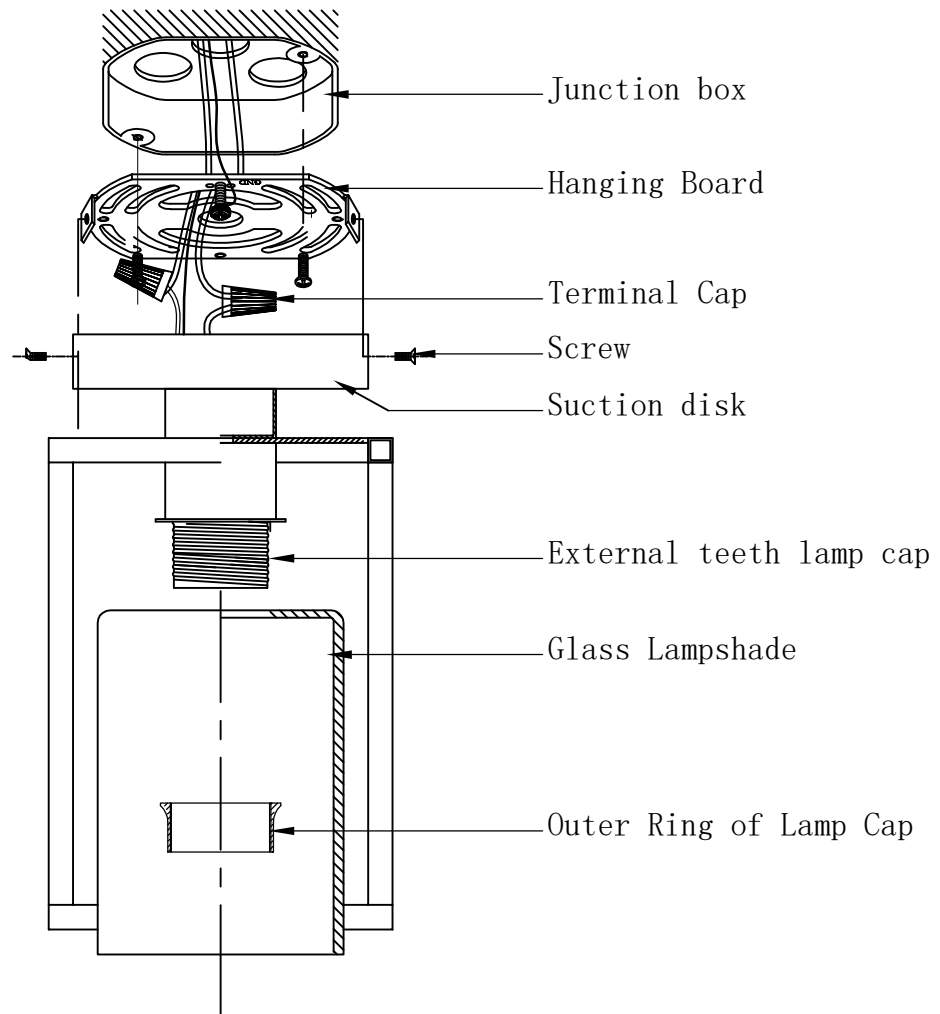


Installation instruction for lighting decoration



1. Lock the hanging board on the junction box with M4 screws;
2. Connect the wires with the Terminal Cap (black is positive and white is negative)
3. Screw the suction top plate onto the hanging plate ear
4. Lock the Glass Lampshade with the outer ring of the lamp holder on the outer tooth lamp holder.
5. Turn in the bulb, try the whole light, OK on it.



matters need attention

- 1 Rated Voltage 120V, 60Hz, lamp power $\leq 60W$
- 2 Avoid scratching the surface and wire of the lamp when installing, and wear gloves when installing, please don't hit the lamp tube to avoid injury (to avoid damage)
- 3 Use Medium paper, cloth and other flammable materials do not close to the bulb (to avoid causing a fire)
- 4 LUMINAIRES shall not be near acids, alkalis containing corrosive chemicals and gases, shall not be washed with water, can only be cleaned with a clean soft cloth.
- 5 Please do not touch the lamp tube while in use or after the lamp is switched off (avoid scalding)
- 6 Please do not use in the place of excessive humidity or high temperature.
- 7 When installing, cleaning and changing lamps, the power supply should be cut off (avoid electric shock)