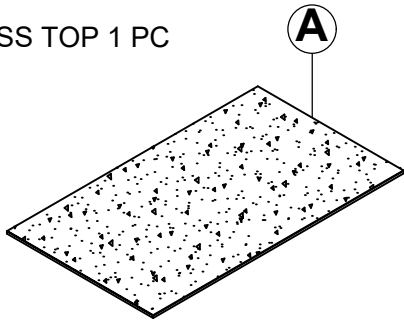


DINING TABLE ASSEMBLY INSTRUCTIONS

PARTS PACKING CONFIGURATIONS

BOX #1

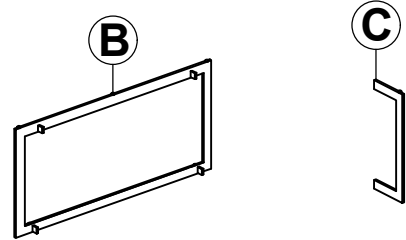
A. GLASS TOP 1 PC






BOX #2

B. LEG FRAME 1 PC

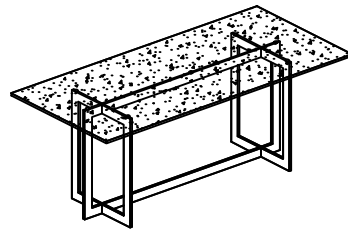
C. LEG 4 PCS



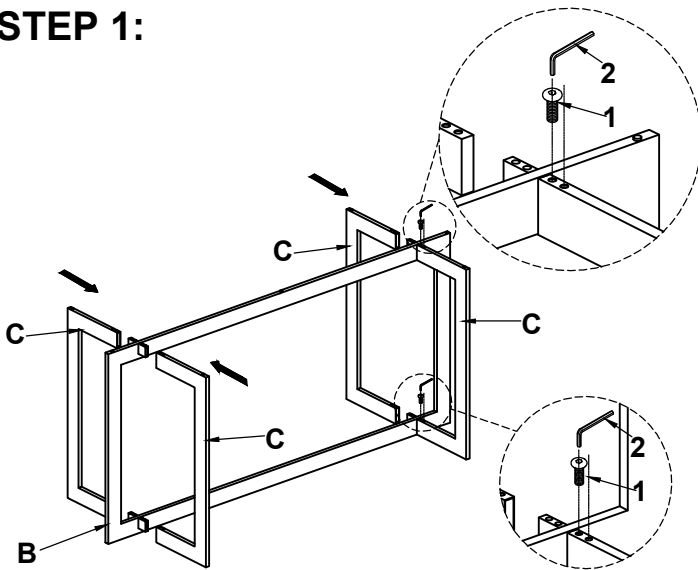
HARDWARE PACKED WITH BOX #2

No	Description	Photo	Quantity
1	ALLEN BOLT (1/4" x 1/2")		16 PCS
2	ALLEN KEY (4MM)		1 PC
3	RUBBER BUMPER		7 PCS

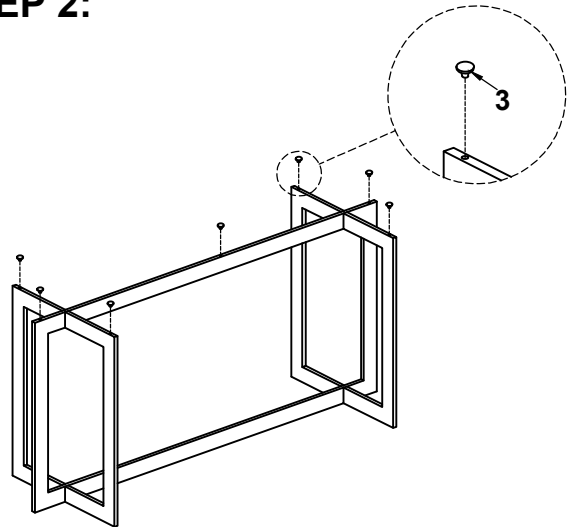
ELIZA DINING TABLE FULLY ASSEMBLED



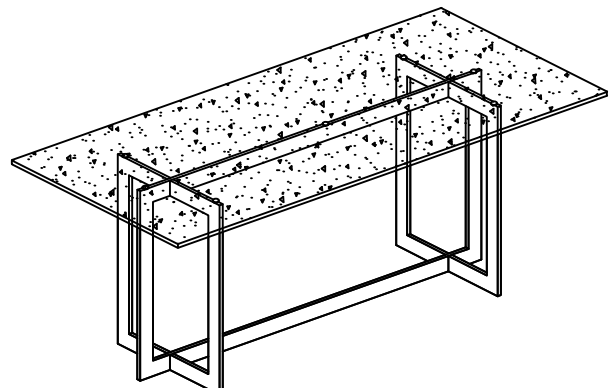
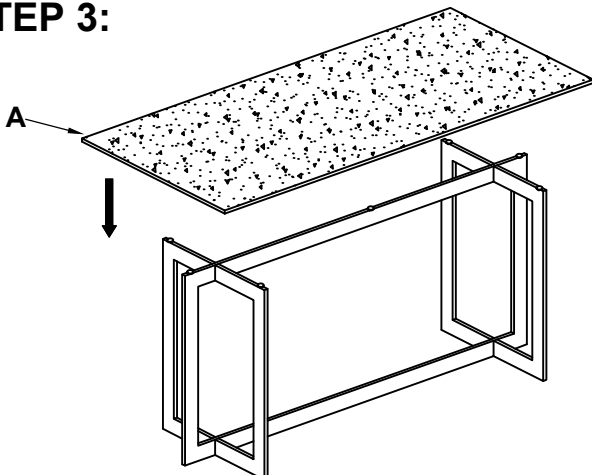
STEP 1:



STEP 2:



STEP 3:



FULLY ASSEMBLED