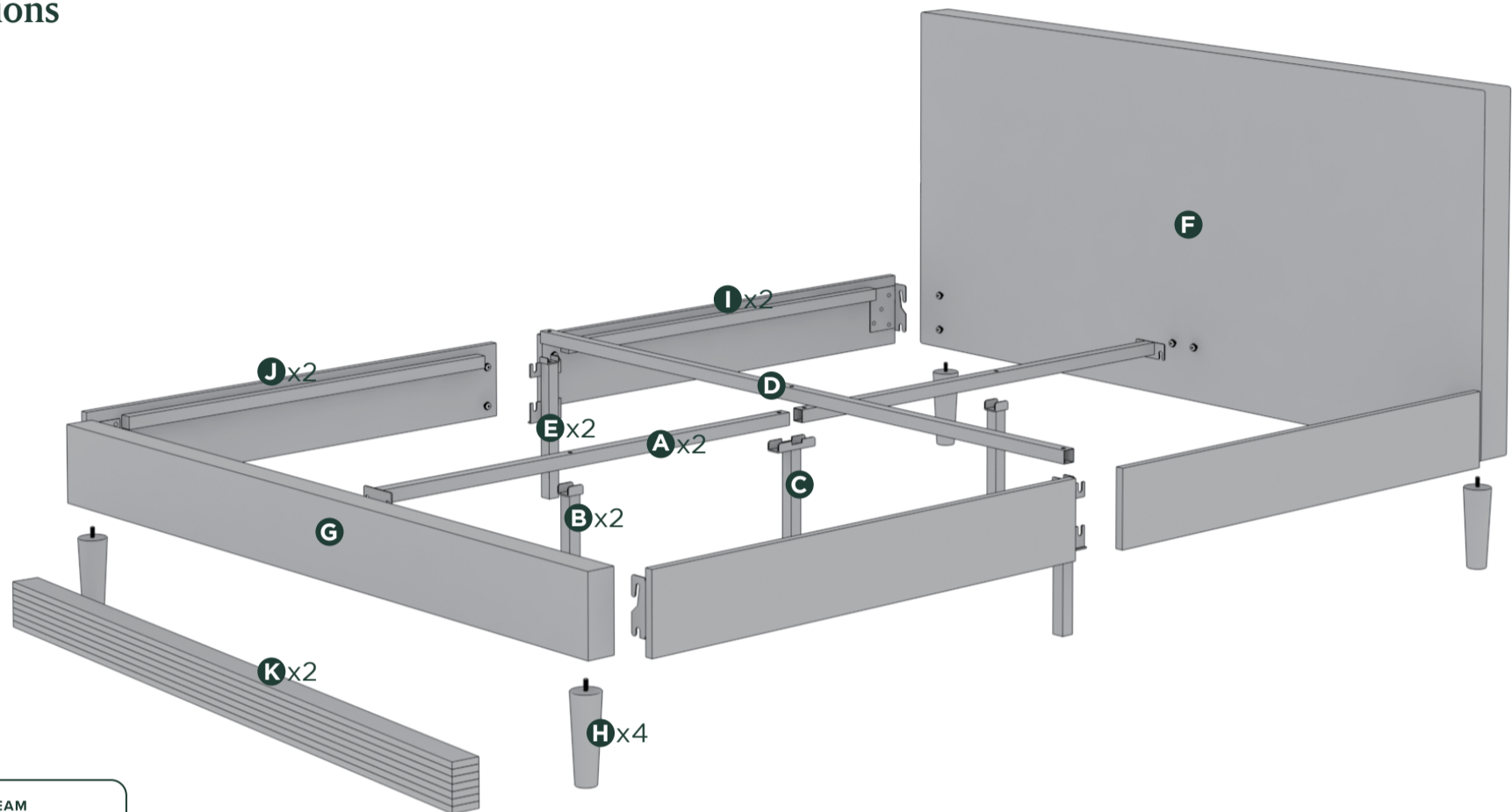


Assembly Instruction

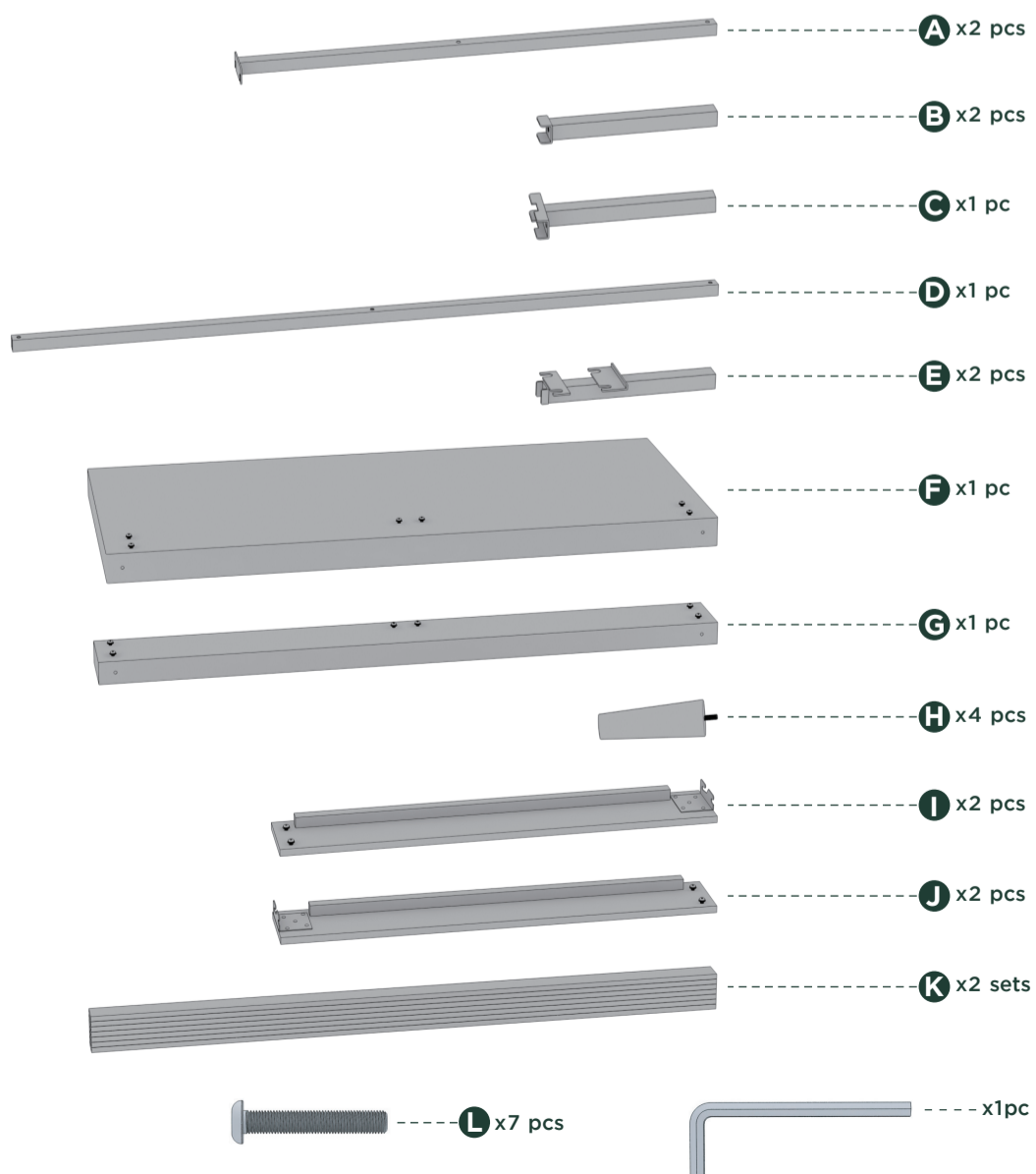
Numbers must Match for Secure Assembly

Platform Bed Frame

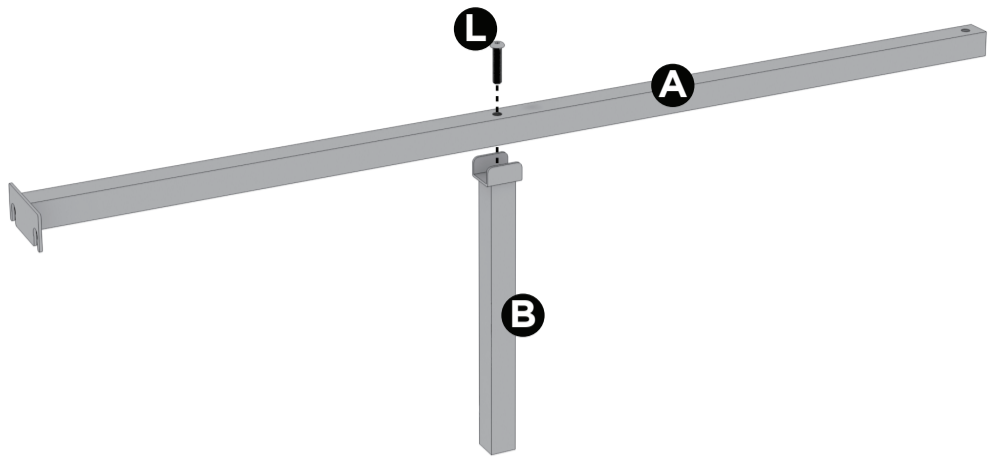
Instructions



Components

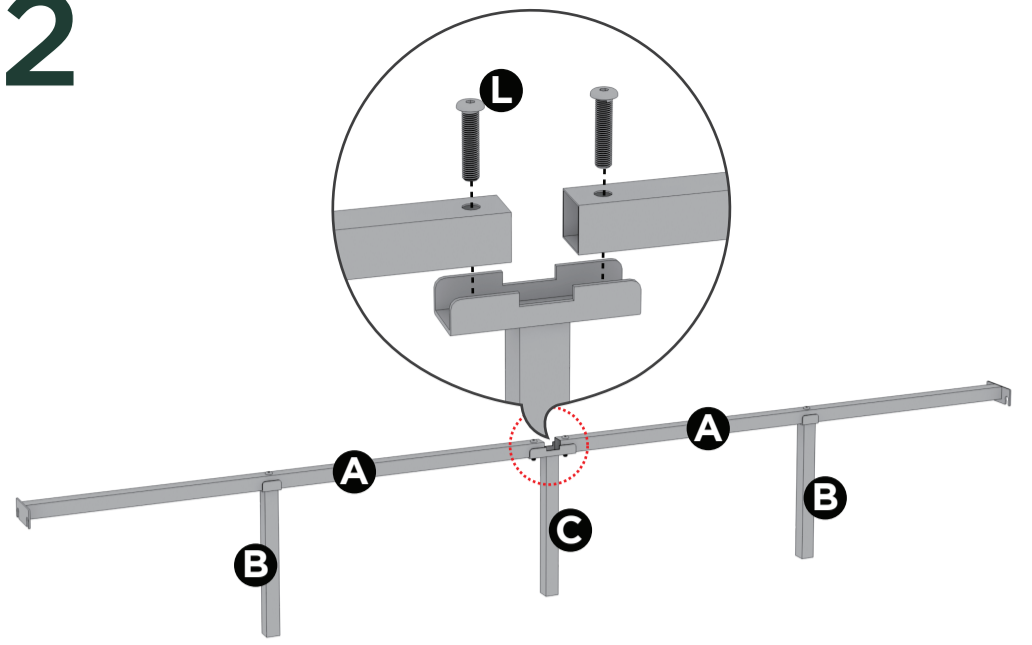


1

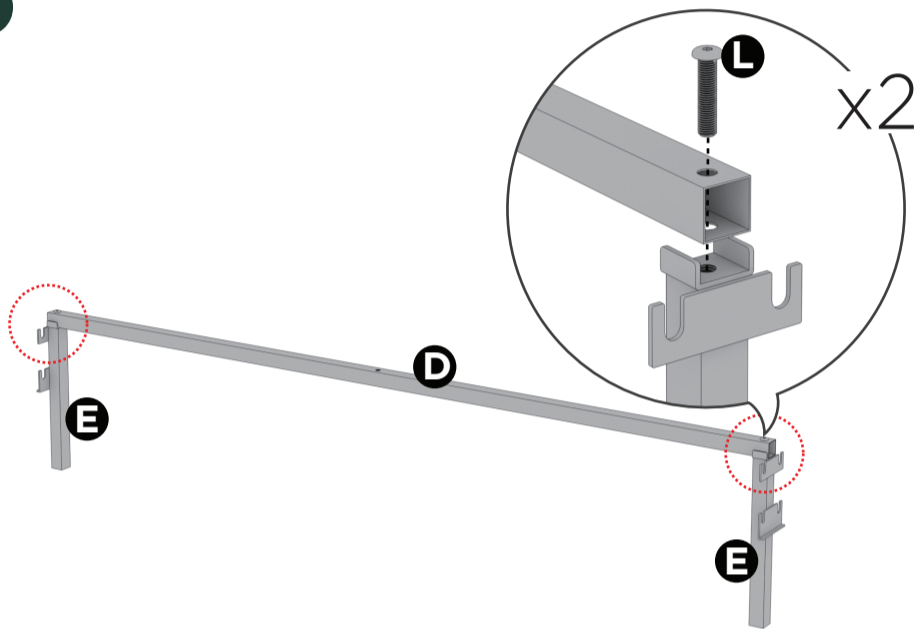


x2

2

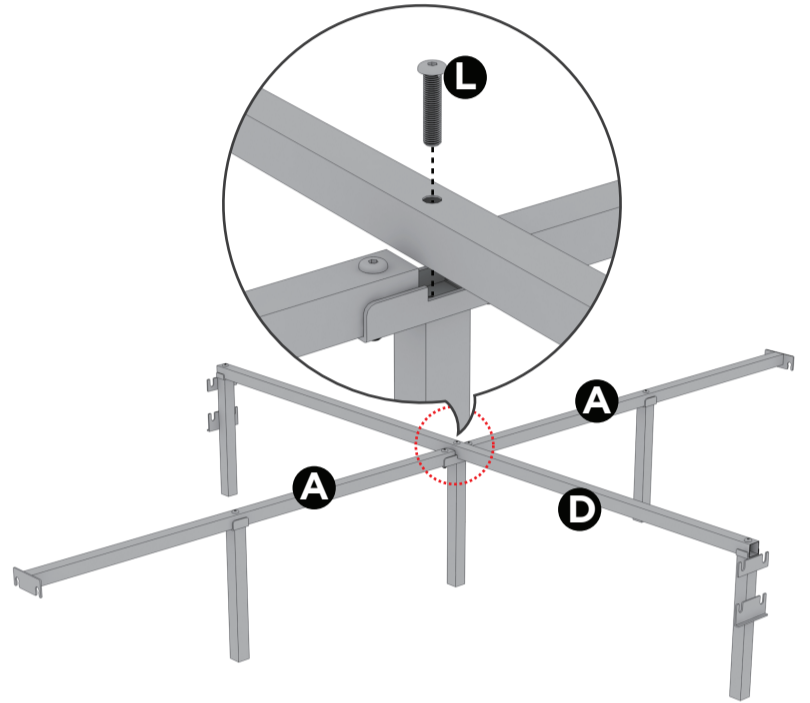


3

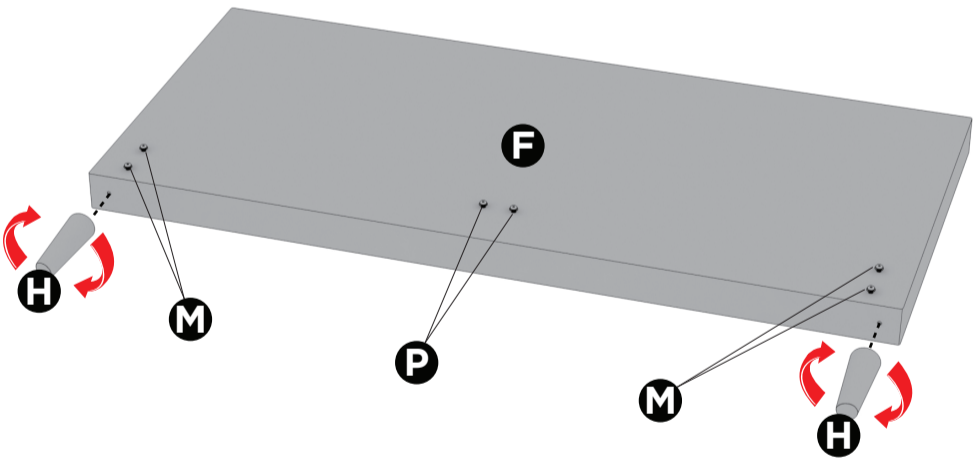


x2

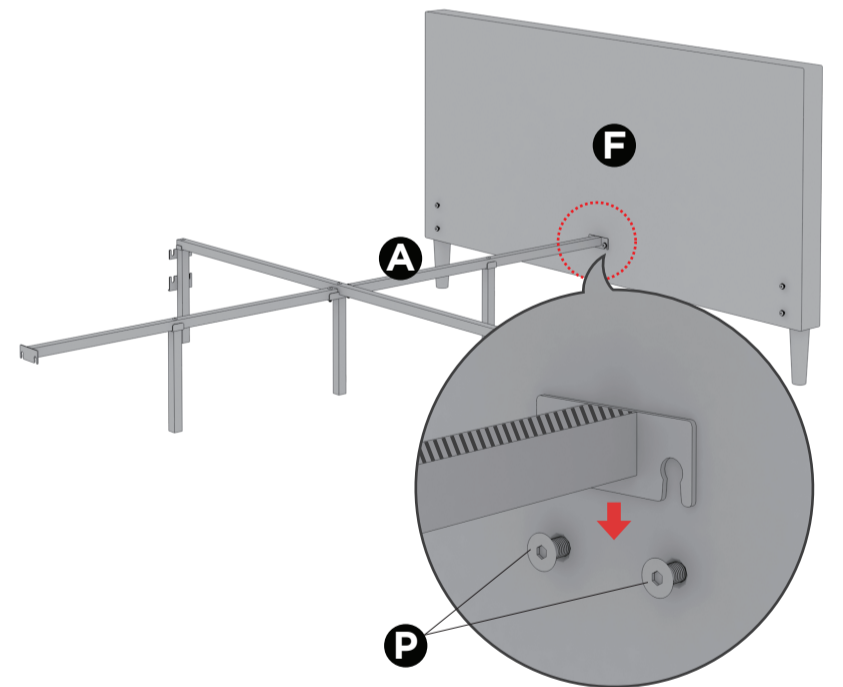
4



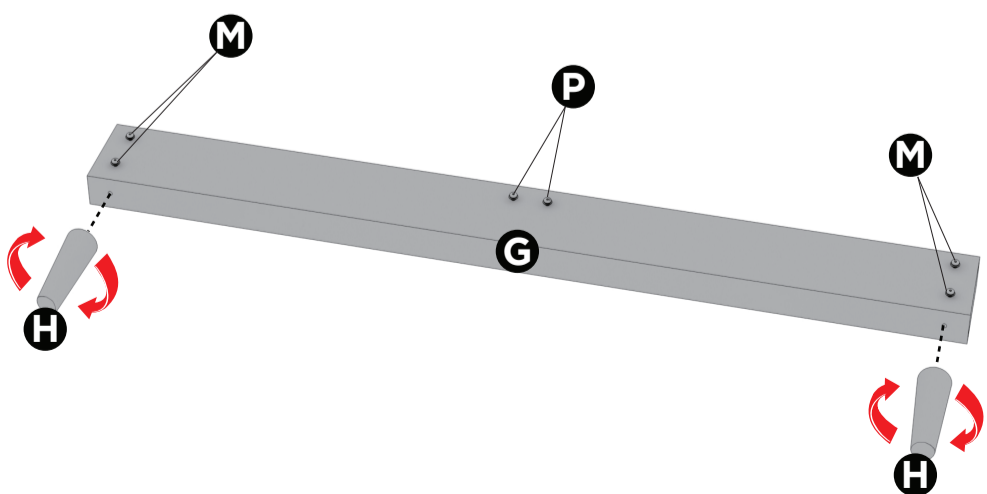
5



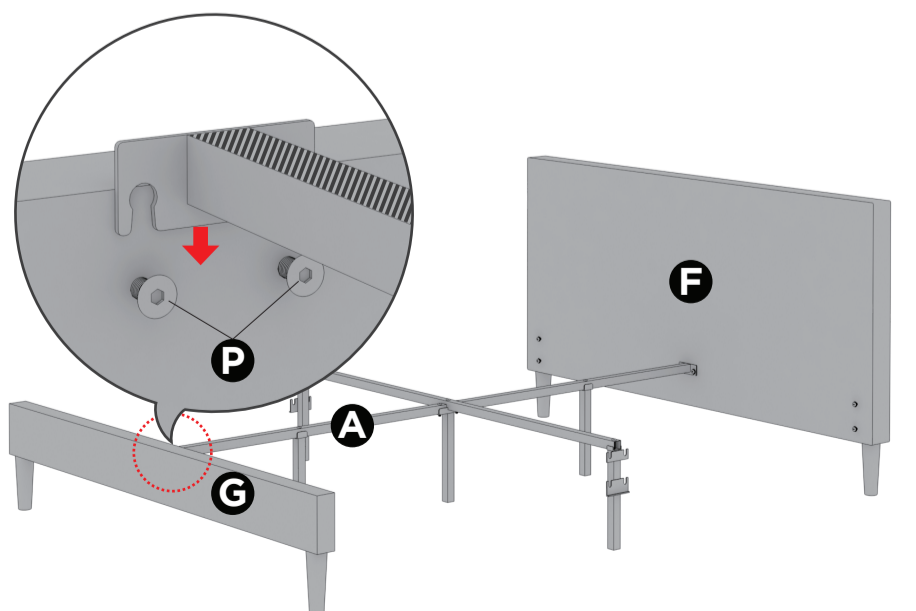
6



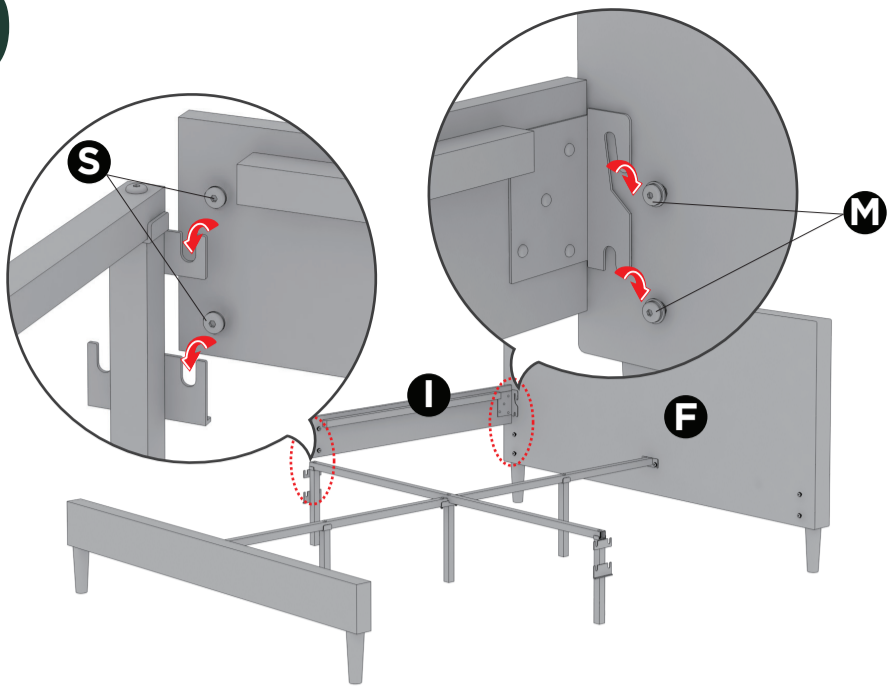
7



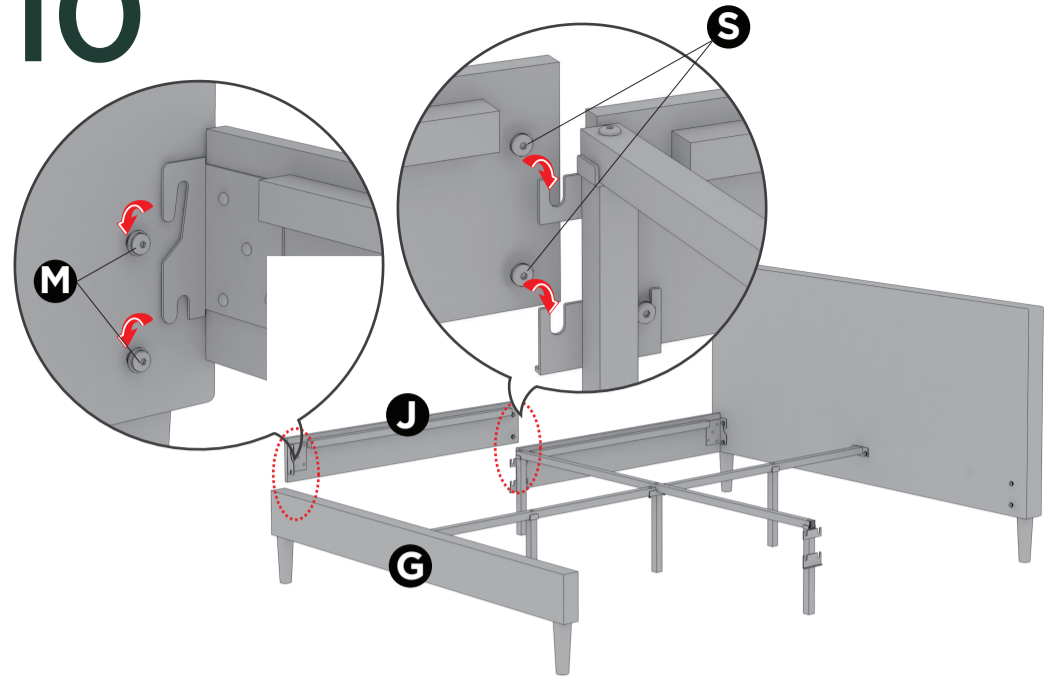
8



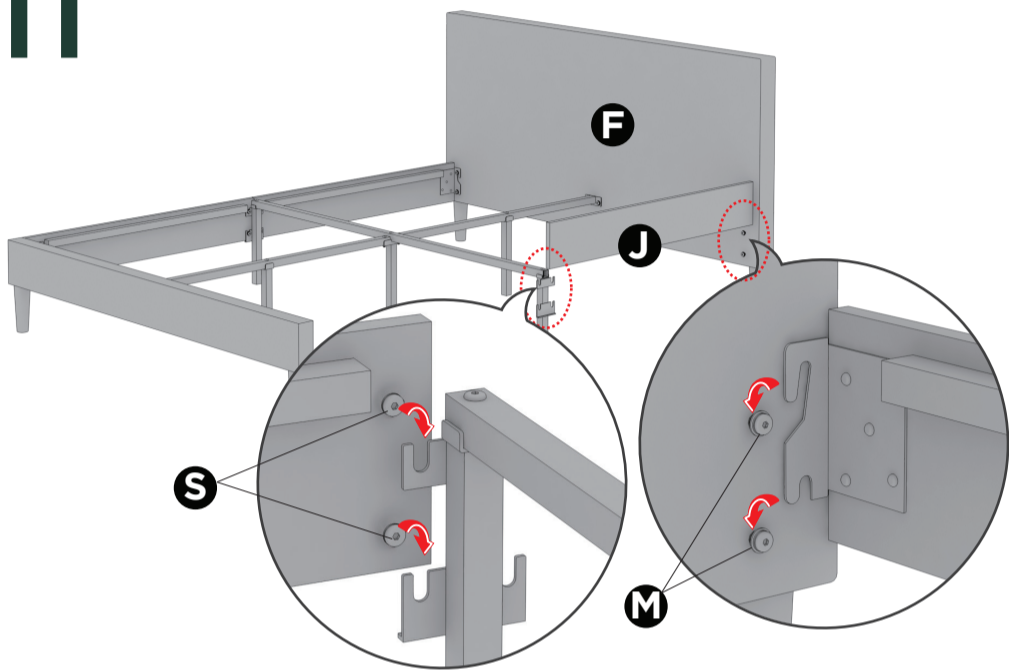
9



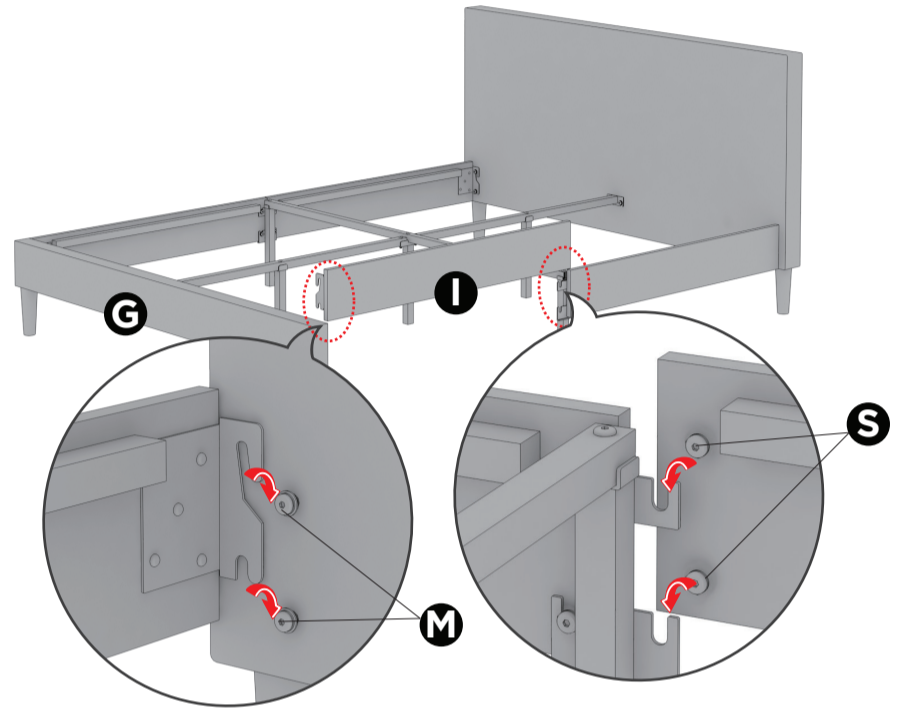
10



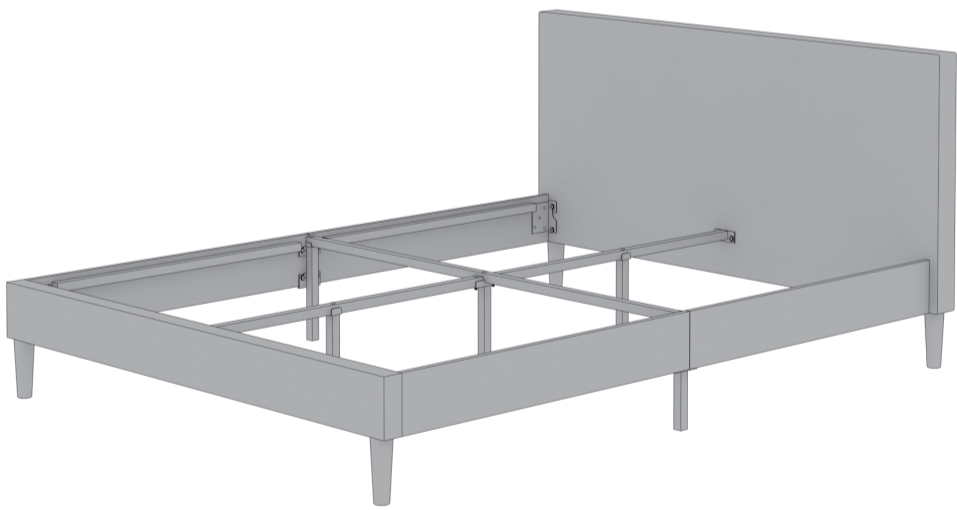
11



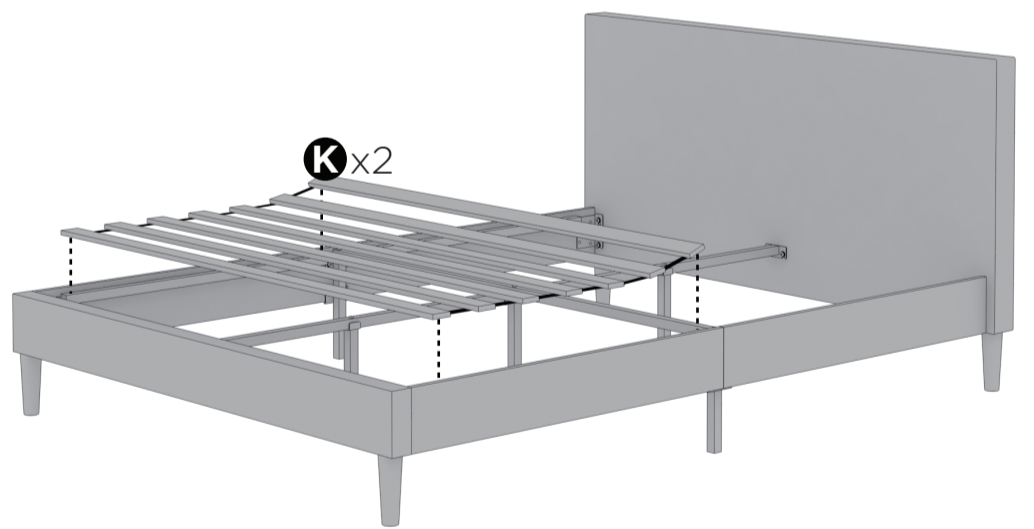
12



13



14



15

