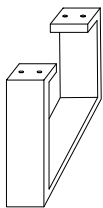
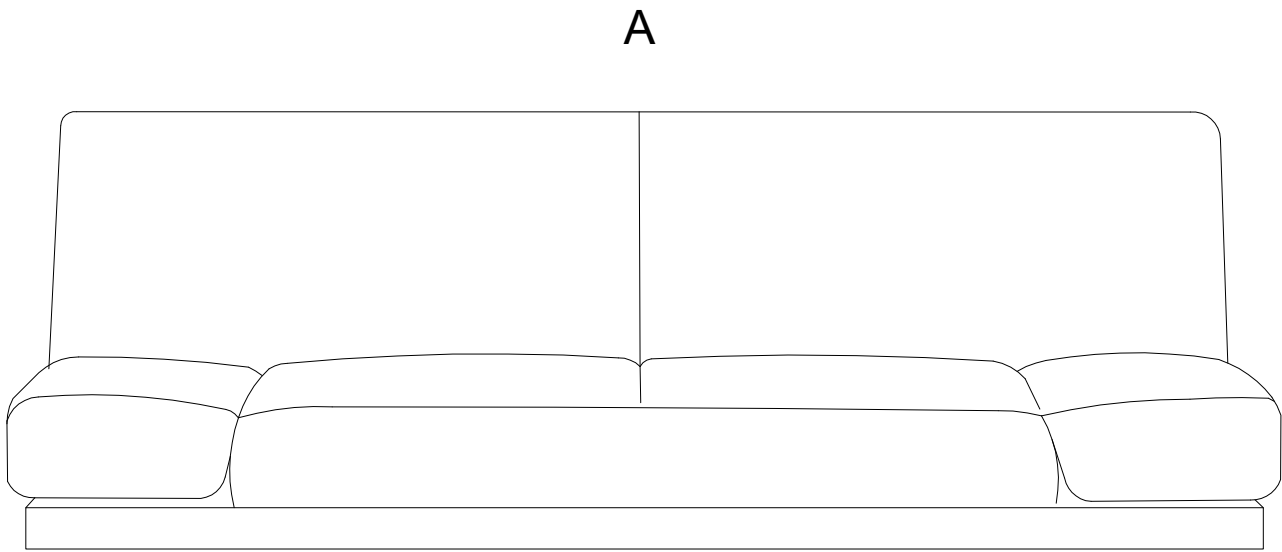
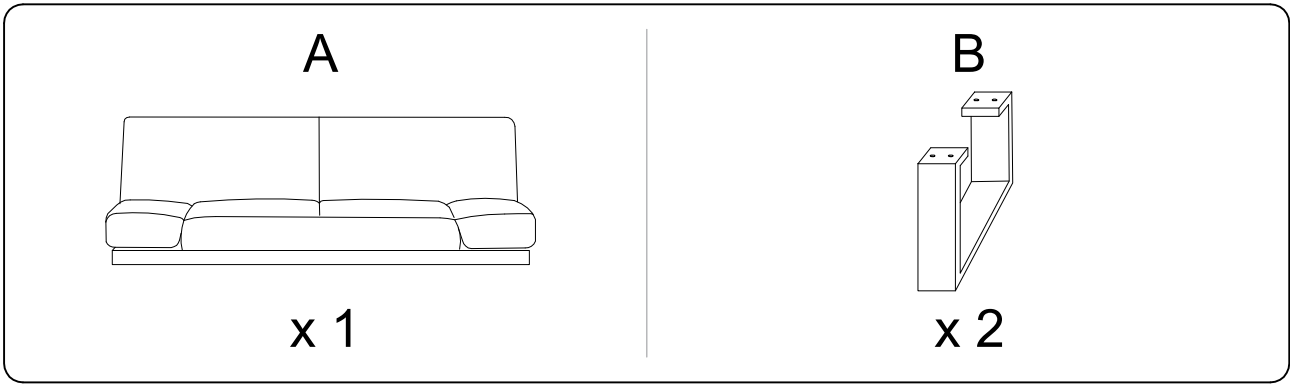
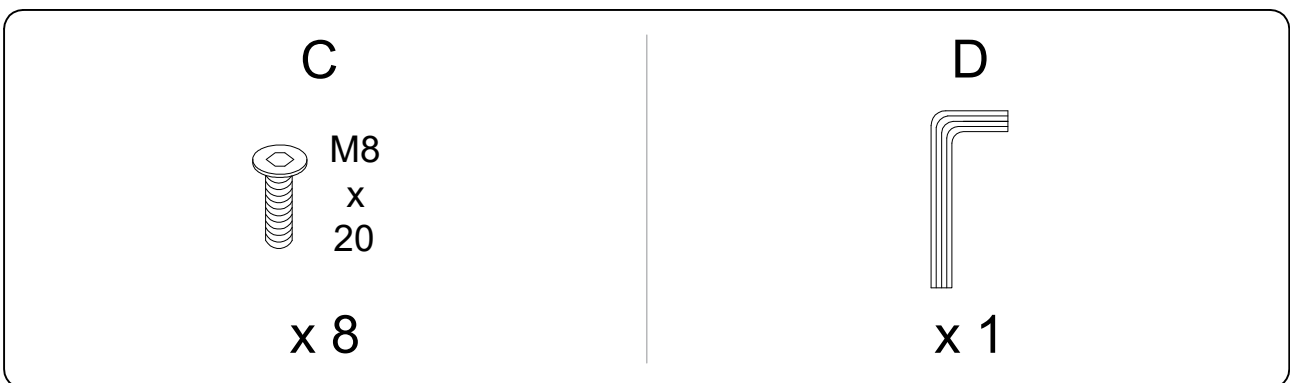
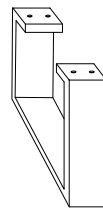


Diagram illustrating assembly instructions and safety warnings:

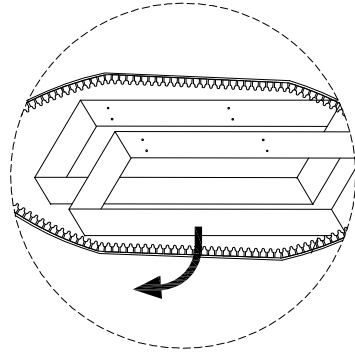
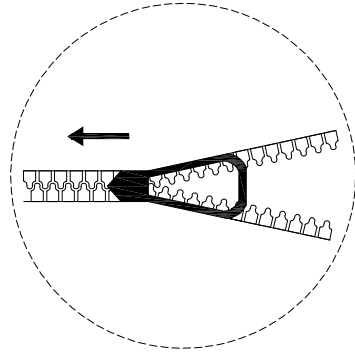
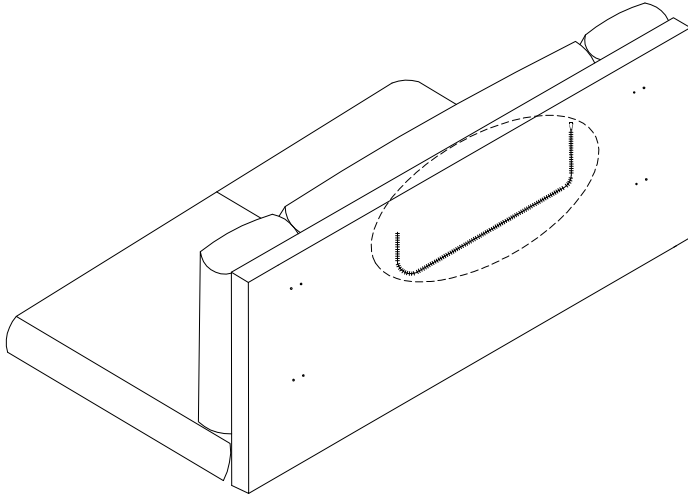
- Warning 1:** A warning triangle with an exclamation mark is connected by a vertical line to a box containing:
 - An icon of an L-shaped metal bracket.
 - An icon of a power drill with a slash through it, indicating that a power drill should not be used.
- Warning 2:** A second warning triangle with an exclamation mark is connected by a vertical line to a box containing:
 - An icon of a rectangular block being placed on a textured surface.
 - An icon of a rectangular block with a slash through it, indicating that the block should not be placed on a soft or uneven surface.
- Time:** A clock icon is positioned to the right of the first warning, with the text "15'" below it, indicating a 15-minute assembly time.
- Person:** An icon of a person is positioned to the right of the second warning, with the text "1" below it, indicating that one person is required for assembly.



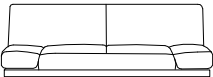
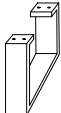
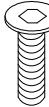

B x 2

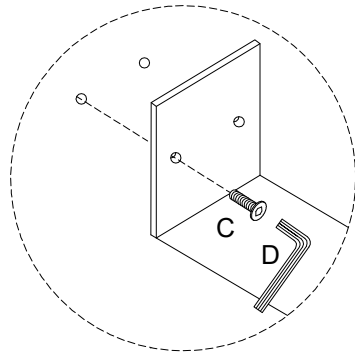
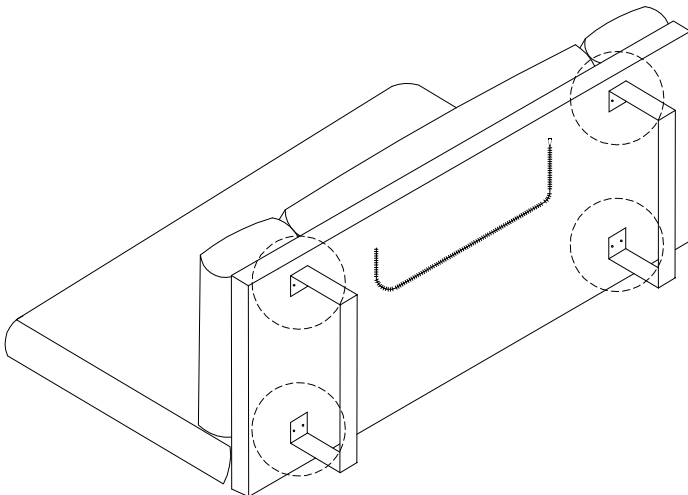


!



1

<p>A</p>  <p>x 1</p>	<p>B</p>  <p>x 2</p>	<p>C</p>  <p>M8 x 20 x 8</p>	<p>D</p>  <p>x 1</p>
----------------------------------------------------------------------------------------------------------------	----------------------------------------------------------------------------------------------------------------	-------------------------------------------------------------------------------------------------------------------------------------	------------------------------------------------------------------------------------------------------------------



2

