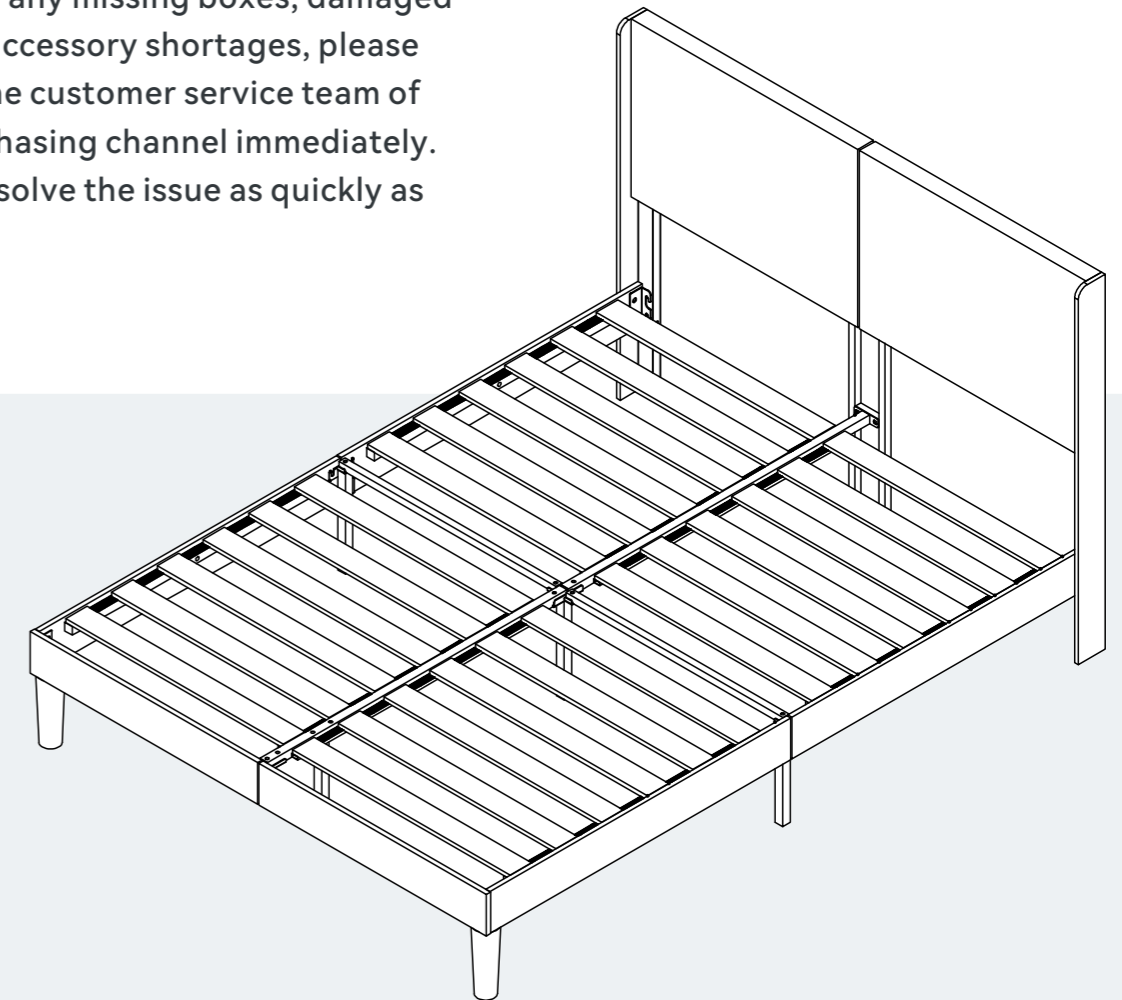


| Bed

Bed

Assembly Instruction – Please keep properly for future reference.

If you find any missing boxes, damaged parts, or accessory shortages, please contact the customer service team of your purchasing channel immediately. We will resolve the issue as quickly as possible.



SKU:
BL11S6-1F0A0
BL11S6-1F0B0
BL11S6-1F0C0
BL11S6-1Q0A0
BL11S6-1Q0B0
BL11S6-1Q0C0

V1.0

EN

CONTACT US

- Email: service@grandtunnel.com
In order to receive assistance more quickly, please provide

THE FOLLOWING INFORMATION:

- Order number
- Purchase platform
- Purchase date
- Detailed description of the issue along with photos (if applicable)

Important – Please read these instructions carefully before starting the installation.

Before Assembly



Thank you for choosing this product!

To ensure safe use and long-term maintenance, please read this manual carefully and keep it properly for future reference.

Important Notice:

- To ensure a smooth and successful installation, please read this guide carefully. It provides essential information about the required tools, materials, and assembly steps. Follow the instructions in each section to avoid any issues caused by improper installation.
- Please review all operational and safety guidelines to ensure proper and secure assembly.
- This guide reflects the most current product information available at the time of printing. We reserve the right to make changes to product features, packaging, or availability without prior notice.
- Before starting assembly, ensure that all necessary electrical and environmental preparations are completed.
- This manual contains important instructions regarding installation, cleaning, and maintenance. Please read it thoroughly and keep it for future reference.

Safety Warnings



1. Follow Warning Labels

Do not remove, alter, or obscure any warning labels on the product or packaging. Always adhere to the displayed safety instructions to ensure proper usage.

2. Conduct Regular Inspections

Periodically inspect all components to ensure they are properly installed, undamaged, and securely fastened. Report any issues to customer support immediately.

3. Practice Safe Usage

Avoid playing, jumping, or engaging in activities on or under the bed, as this may cause injury or structural damage.

4. Beware of Rope Hazards

Do not attach ropes, hooks, straps, or any non-designated accessories to any part of the bed, as this may pose a safety hazard.

5. Keep This Manual for Reference

Store this manual in a safe and accessible place for future reference.

6. Safety is a Shared Responsibility

Ensuring safety is a joint responsibility between the manufacturer and the user. Please follow all safety precautions during assembly and use.

Disclaimer

We are committed to delivering safe, high-quality, and reliable products to our customers. If you have any questions, concerns, or require further assistance, please contact our customer service team without hesitation.

Maintenance and Care Recommendations



1. Regular Cleaning

To maintain hygiene and prevent bacterial growth, clean the product regularly. Use a damp, well-wrung cloth to avoid excess moisture and prevent surface scratches.

2. Prevent Corrosion

Keep the product away from acidic or alkaline substances, as they may cause corrosion or damage to the materials.

3. Use Only Authorized Replacement Parts

Do not use unauthorized or third-party replacement parts, as they may compromise the product's safety and durability. If a replacement is needed, contact the manufacturer or an authorized dealer for approved parts.

4. Cleaning Precautions

Do not machine wash or rinse any part of the product directly with water, as this may damage the materials and reduce product lifespan.

5. Prevent Pests

Keep wooden furniture away from damp or humid areas to prevent pest infestations and wood damage. Use a dehumidifier or air conditioner during humid seasons to maintain a dry environment.

6. Protect from Sunlight

Avoid placing furniture in direct sunlight, as prolonged exposure may cause cracking, discoloration, or fading. If sunlight exposure is unavoidable, use curtains or shades to minimize damage.

7. Keep Away from Fire

Position furniture away from heat sources and open flames to prevent damage and maintain its condition.

8. Perform Regular Care

Apply furniture oil periodically to maintain the wood's shine, prevent cracks, and extend its lifespan.

9. Clean Frequently

Regularly vacuum dust and debris, especially underneath furniture, to keep it clean and hygienic.

10. Maintain a Dry Environment

Ensure good ventilation to prevent moisture buildup, which can damage wood. Use a dehumidifier if necessary to protect the furniture.

11. Avoid Corrosive Liquids

Keep furniture away from acidic or alkaline substances, as these can damage the surface and reduce durability.

12. Use a Damp Cloth for Cleaning

Wipe furniture with a well-wrung damp cloth to prevent water damage or swelling. Avoid excessive moisture exposure.

13. Limit Sun Exposure

Excessive sunlight can dry out and weaken wood. Position furniture in shaded areas or use UV-blocking curtains to protect it from damage.

Customer Service Guide



Thank you for choosing our product! We are committed to providing you with excellent service. If you find any missing parts, damaged packaging, or product damage after receiving all packages, please follow the steps below to quickly contact our customer service team. We will do our best to resolve your issue.

1. Missing Parts

Verify Parts:

1. Refer to the "Parts List" in the manual to verify the name, specifications, and quantity of the missing parts.
2. Take a clear photo of the parts list and mark the missing parts with detailed information, e.g., "Missing 5 pieces of M6×30mm screws."

Contact Us:**By Email:**

Send an email to service@grandtunnel.com, with the subject line "Missing Parts Issue." Include the following in the email:

- A description of the missing parts and a photo of the parts list.
- Order details (order number, purchase platform, purchase date).

2. Product or Packaging Damage

If it affects normal use:**Steps:**

1. Take clear photos or videos showing the damaged parts and the extent of the damage (multi-angle shots are recommended).
2. Email the photos/videos along with order details to service@grandtunnel.com, with the subject line "Product Damage Issue."

Resolution:

After verification, we will arrange for a replacement part, product exchange, or refund as quickly as possible.

If it does not affect normal use:**Steps:**

1. Contact our customer service team (by email: service@grandtunnel.com).
2. Provide a description of the damage and include relevant photos or videos.

Resolution:

We will provide repair guidance or an appropriate compensation plan based on the specific situation.

Contact Us:

Customer Service Email: service@grandtunnel.com

Helpful Tips

To process your issue efficiently, please prepare the following information:

- Order details (order number, purchase platform, purchase date).
- Clear photos or videos.
- We are committed to providing quick and professional solutions, no matter the size of the issue, to ensure your satisfaction.

Thank you for your trust and support!
We hope you enjoy using our product!

Parts List



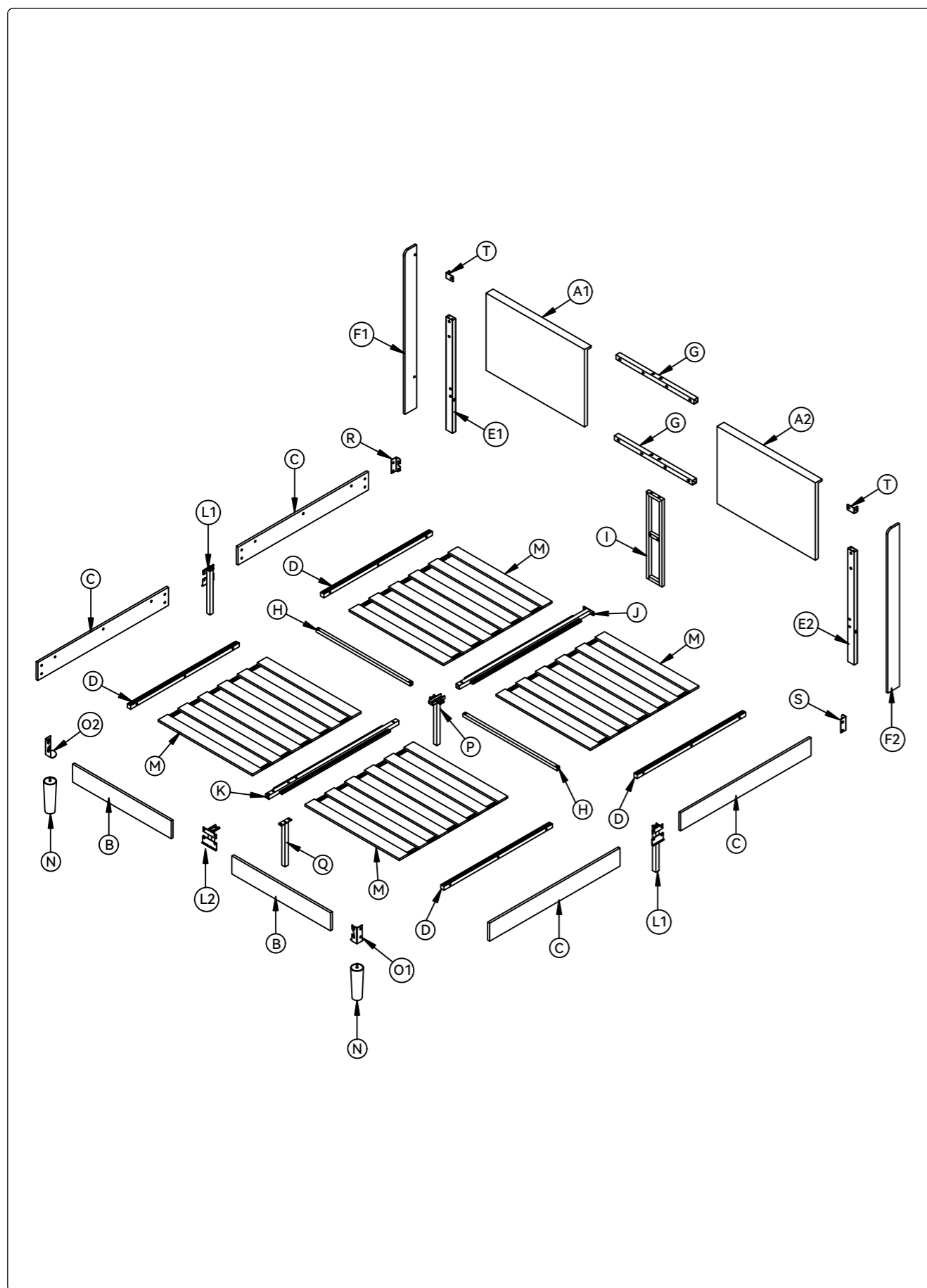
A1	x1	A2	x1	B	x2
C	x4	D	x4	E1	x1
E2	x1	F1	x1	F2	x1
G	x2	H	x2	I	x1
J	x1	K	x1	L1	x2

L2	x1	M	x4	N	x2		
O1	x1	O2	x1	P	x1		
Q	x1	R	x1	S	x1	T	x2

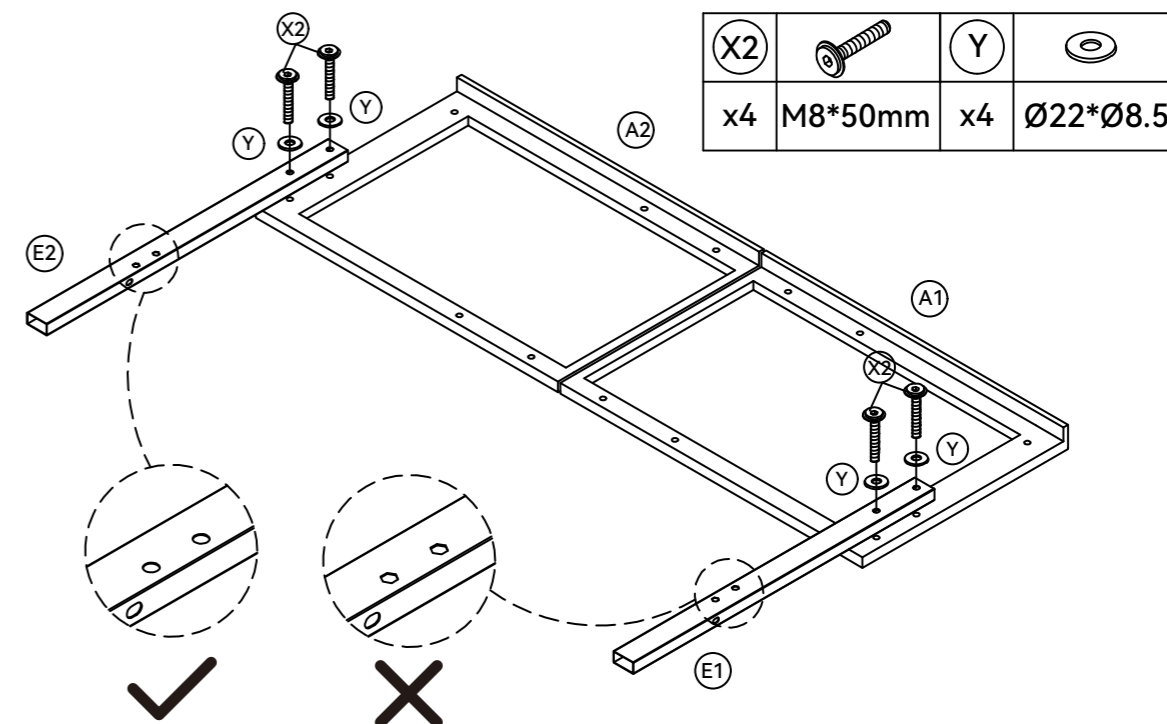
Hardware List

X1	x2	X2	x14	X3	x22
M8*64mm		M8*50mm		M8*40mm	
X4	x8	X5	x4	X6	x20
M8*25mm		M8*18mm		M8*16mm	
X7	x2	Y	x4	Z	x1
M8*14mm		Ø22*Ø8.5		M5 Wrench	

Assembly Instructions

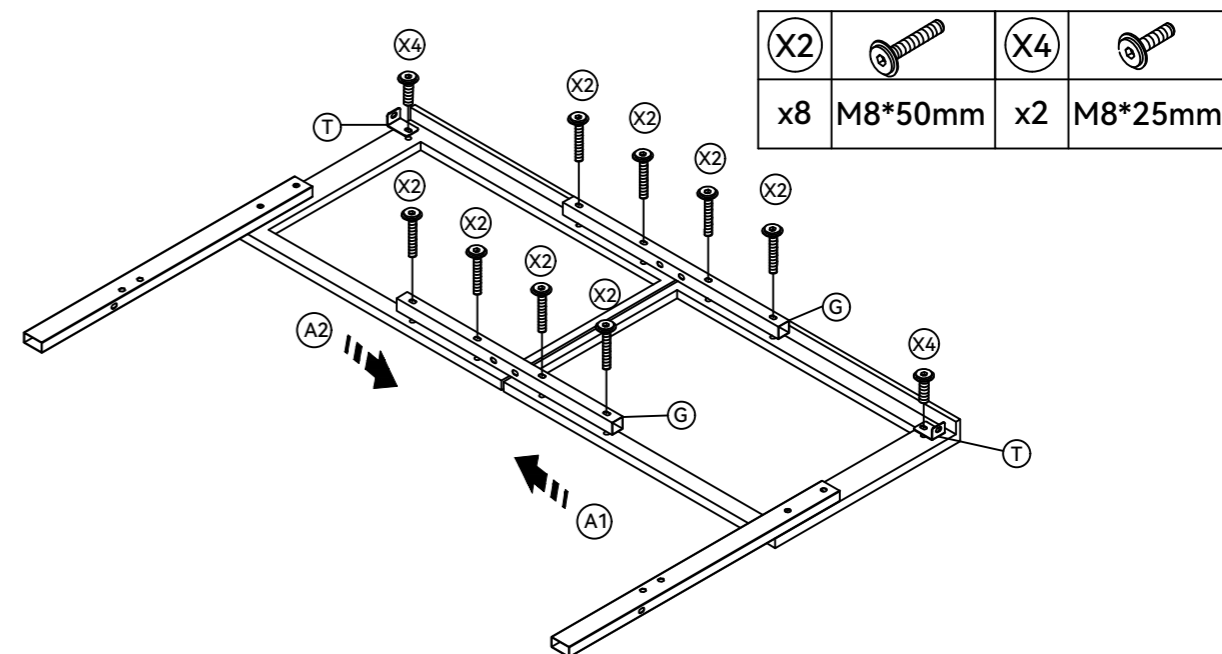


Step 1



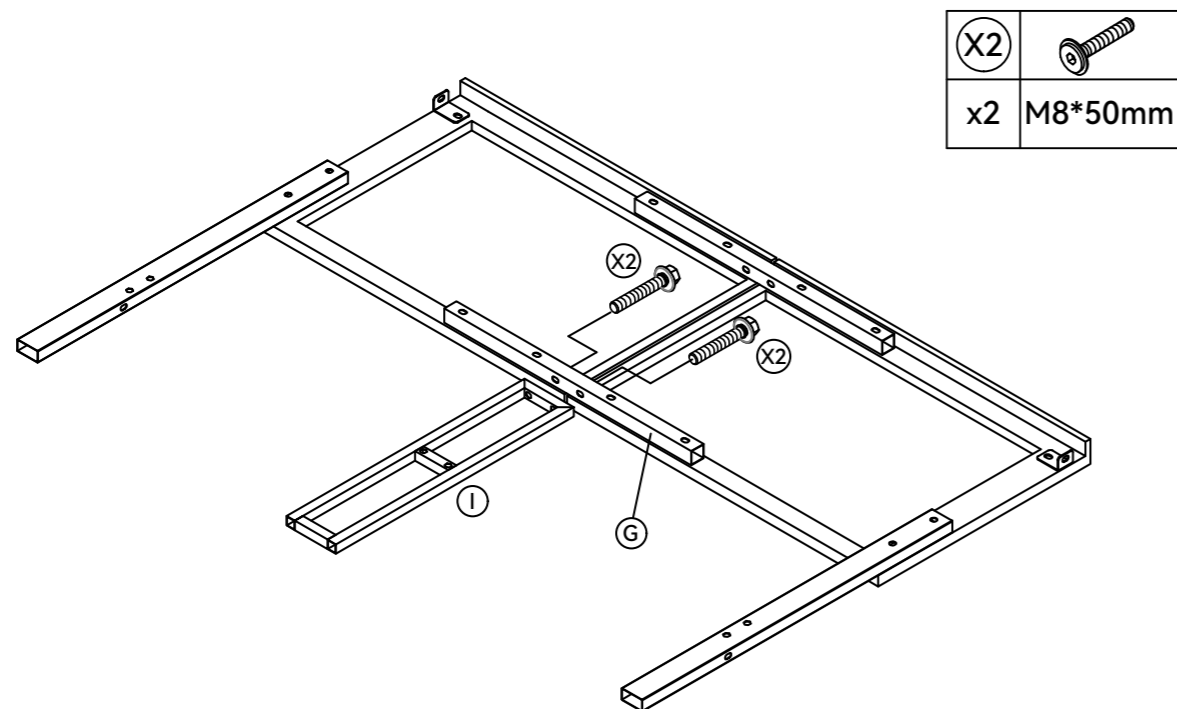
Align the headboard leg (E1) with the headboard (A1), and the headboard leg (E2) with the headboard (A2). Secure them using bolts (X2) and washers (Y).
(Note the front/back orientation of the holes on the headboard legs.)

Step 2



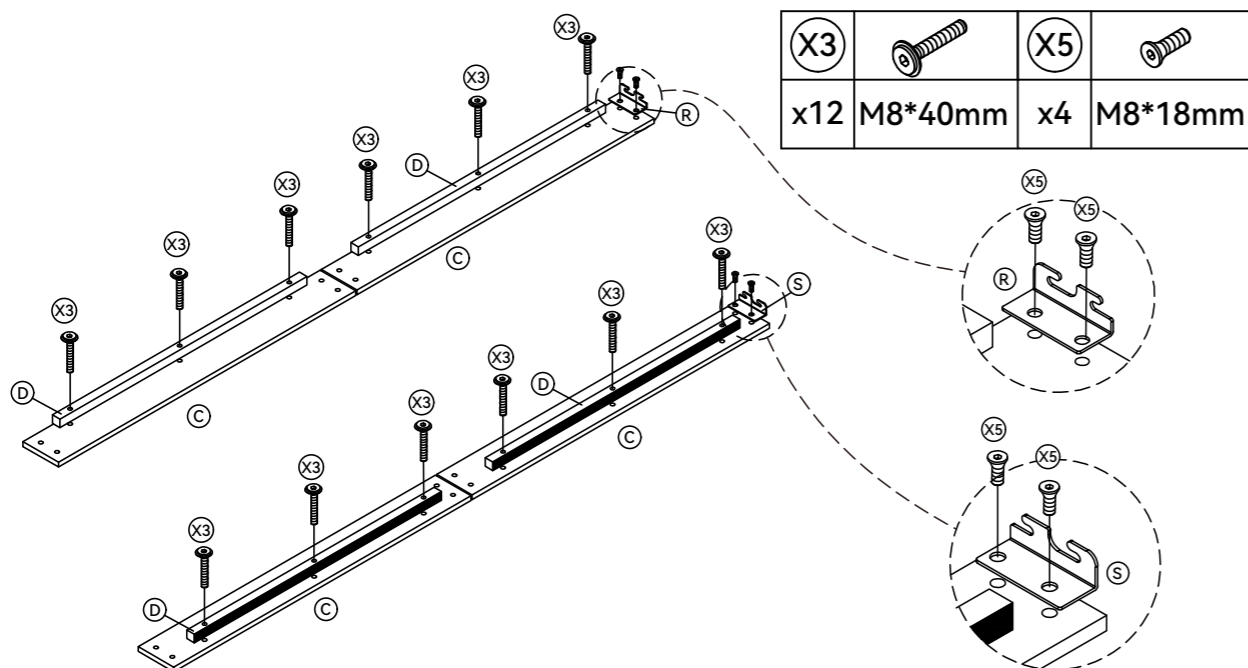
Connect the headboards (A1) and (A2) using the connecting rod (G) and secure with bolts (X2). (Note: Push the headboards toward the center.)
Then, attach the L-shaped brackets to both sides of the headboard using bolts (X4).

Step 3



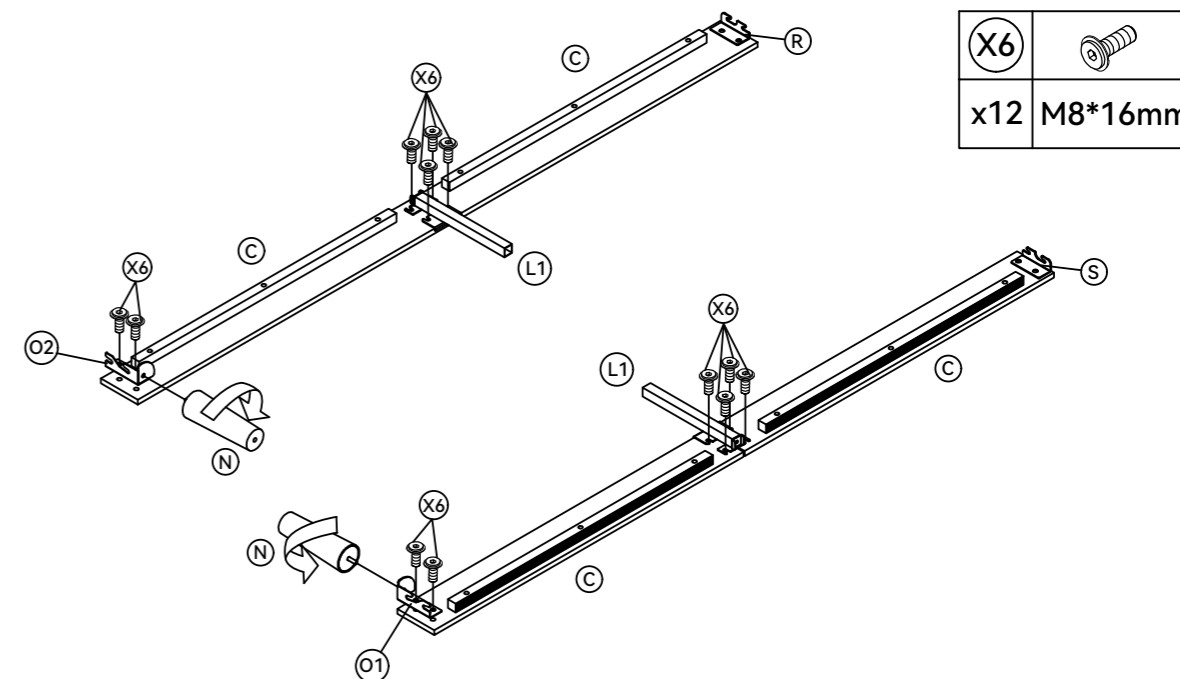
Align the headboard support leg (I) with the headboard connecting rod (G) and secure with bolts (X2).

Step 4



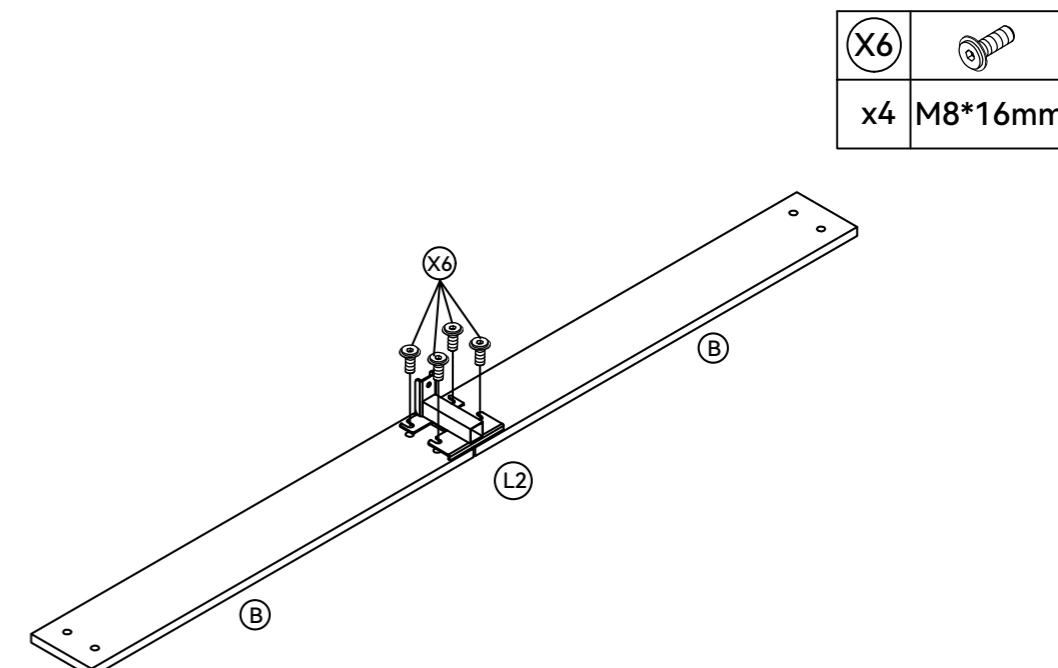
Attach the assembly wood piece (D) to the side rail (C) using bolts (X3). Then, attach the hooks (R) and (S) to the side rail (C) using bolts (X5).
(Pay attention to the hook orientation.)

Step 5



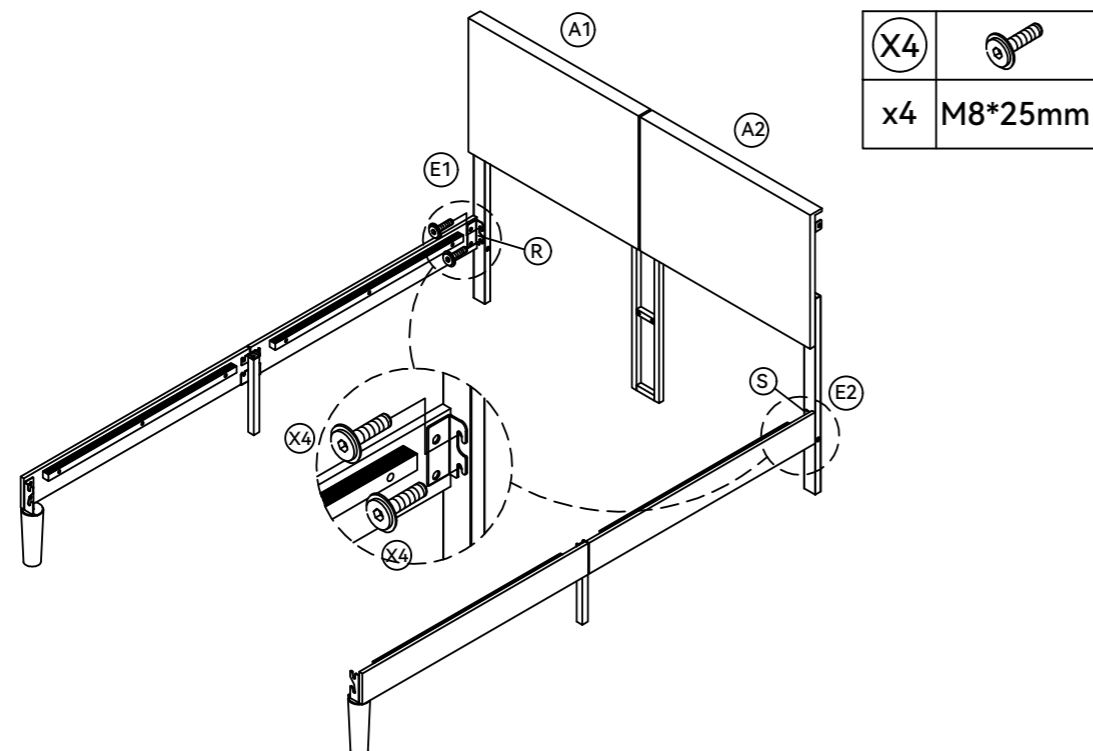
Attach the side legs (L1) to both side rails (C) using bolts (X6). Align the footboard corner brackets (O2) with the side rail hooks (R) and the footboard corner brackets (O1) with the side rail hooks (S), then secure with bolts (X6). Assemble the footboard legs (N) with (O1) and (O2) as shown.

Step 6



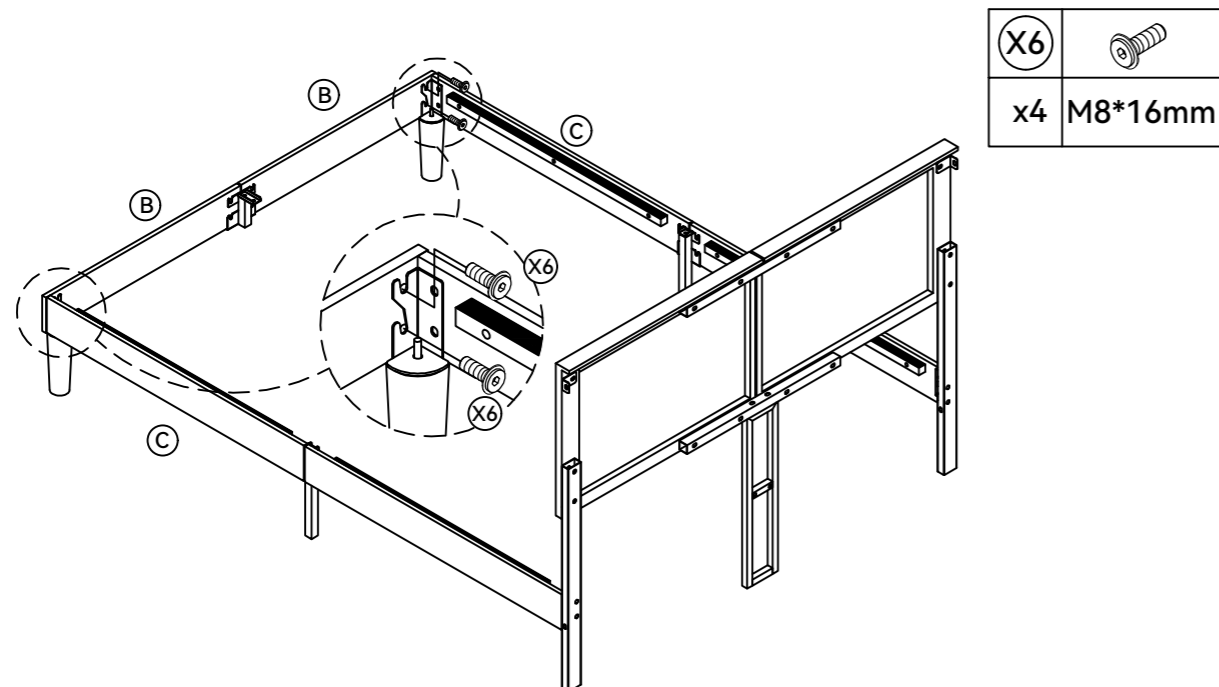
Connect the two footboards (B) using the footboard connector (L2) and secure with bolts (X6).

Step 7



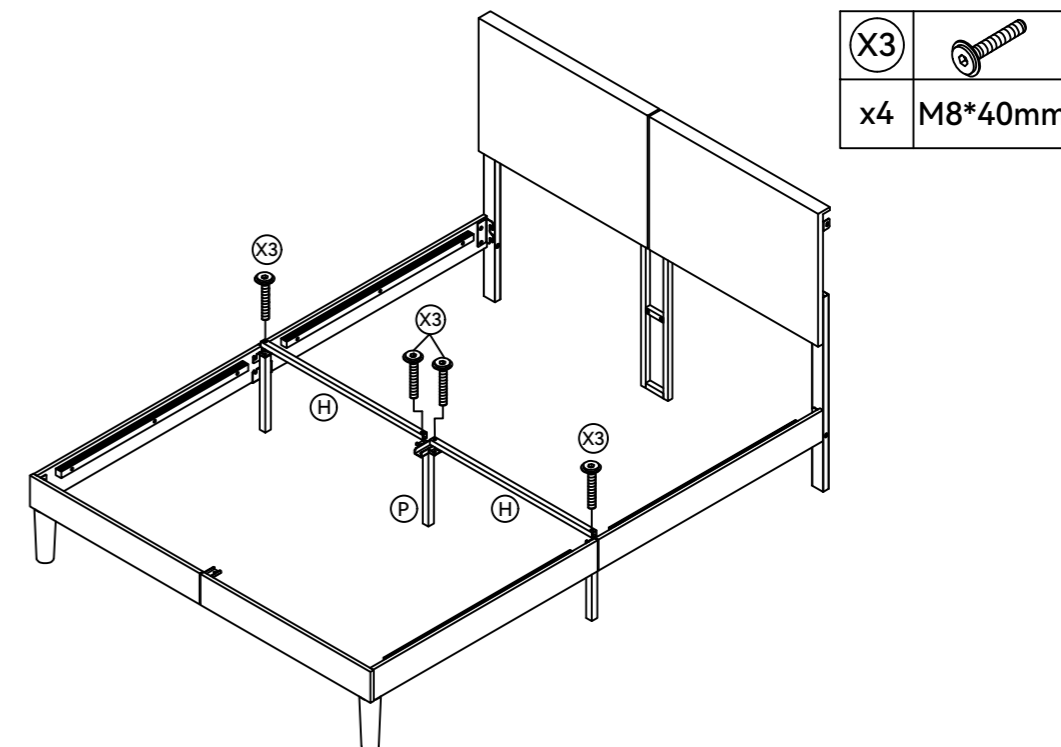
Attach the side rail hook (R) to the headboard leg (E1) and the side rail hook (S) to the headboard leg (E2) using bolts (X4).

Step 8



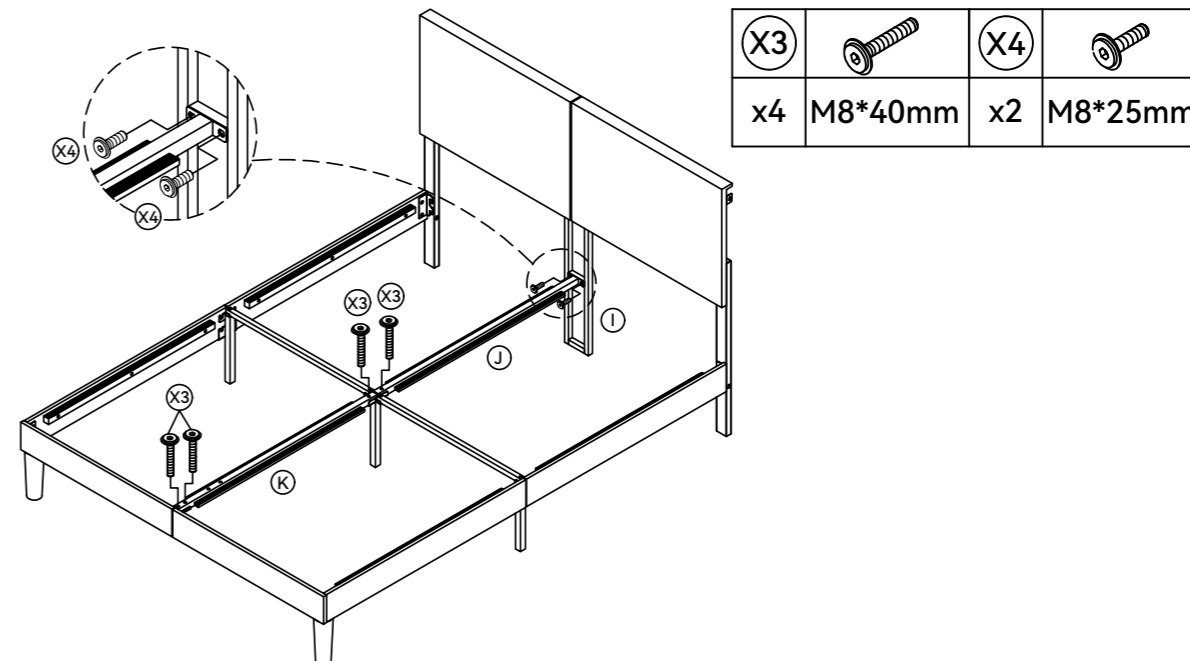
Attach the side rails (C) to the footboard (B) using bolts (X6).

Step 9



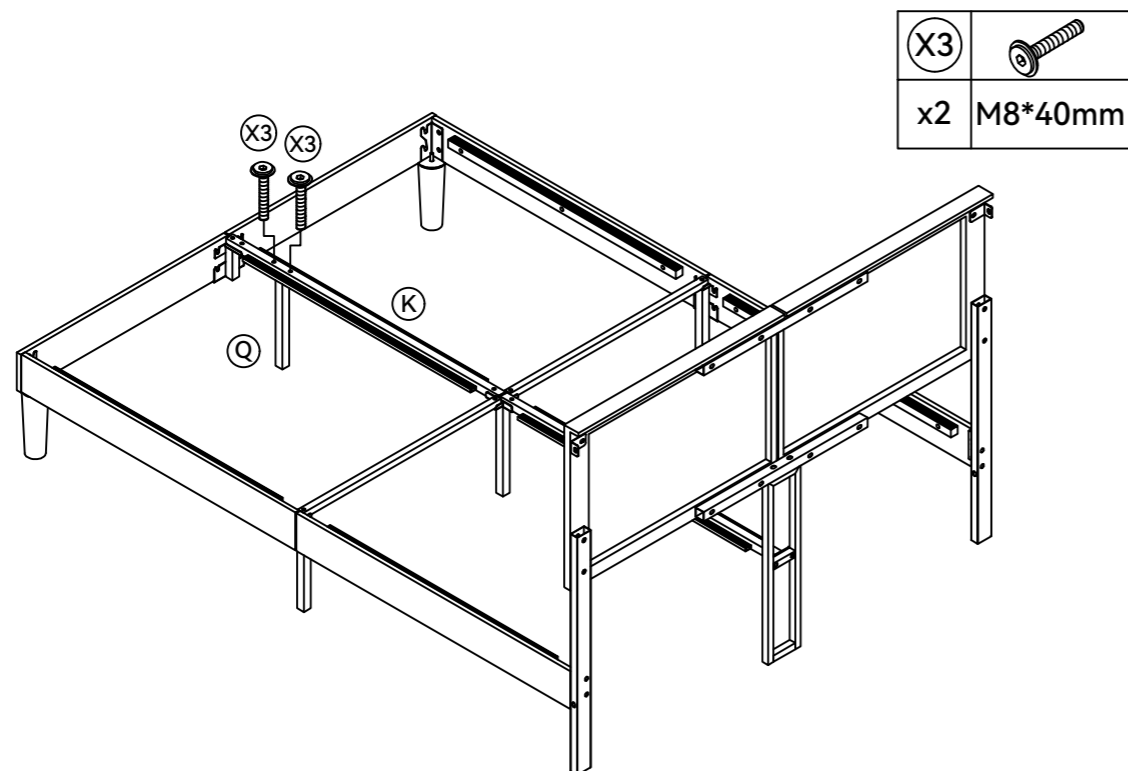
Connect the two cross bars (H) to the center support leg (P) using bolts (X3). Then, attach both ends to the side legs (L) on the side rails using bolts (X3).

Step 10



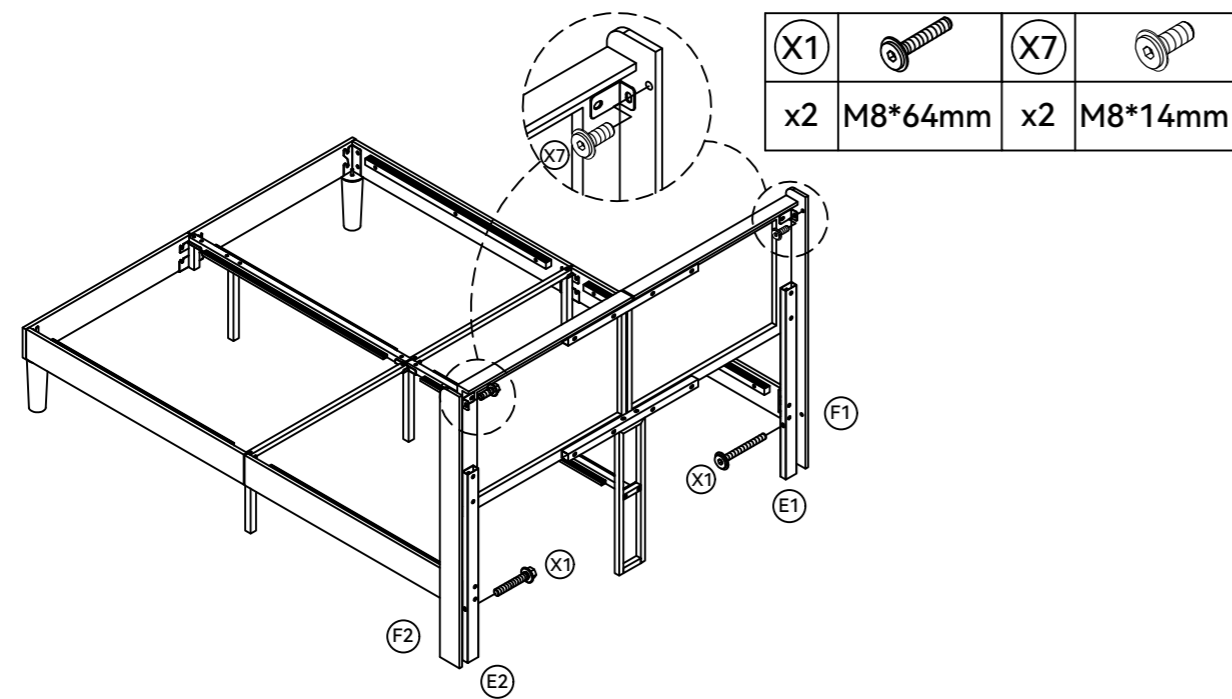
Align the center bed rail (J) with the headboard support leg (I) and secure with bolts (X4). Connect the center bed rail (K) to the footboard side leg (L2) and secure with bolts (X3).

Step 11



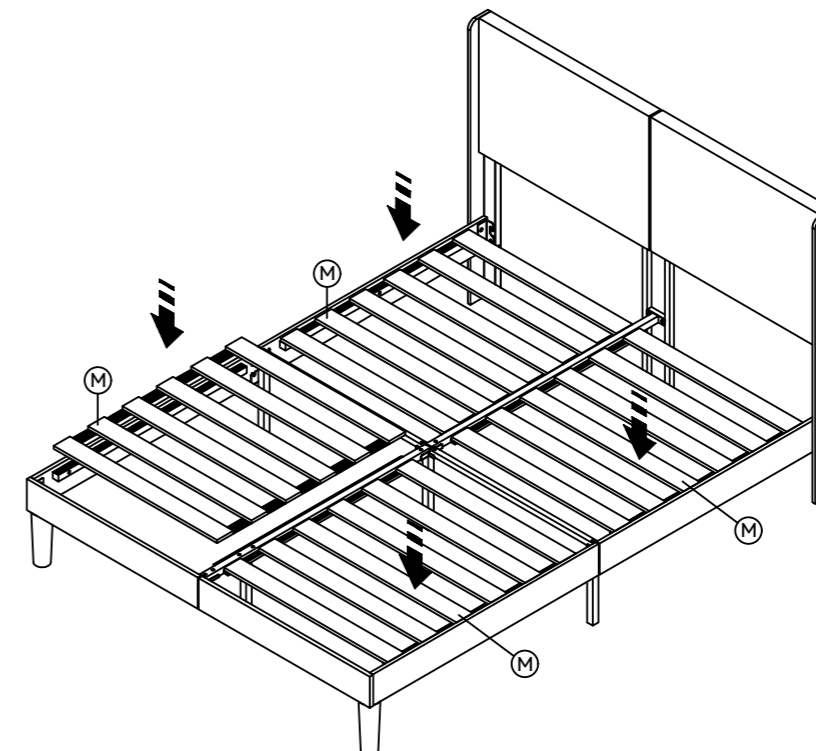
Connect the center support leg (Q) to the bed rail (K) using bolts (X3).

Step 12



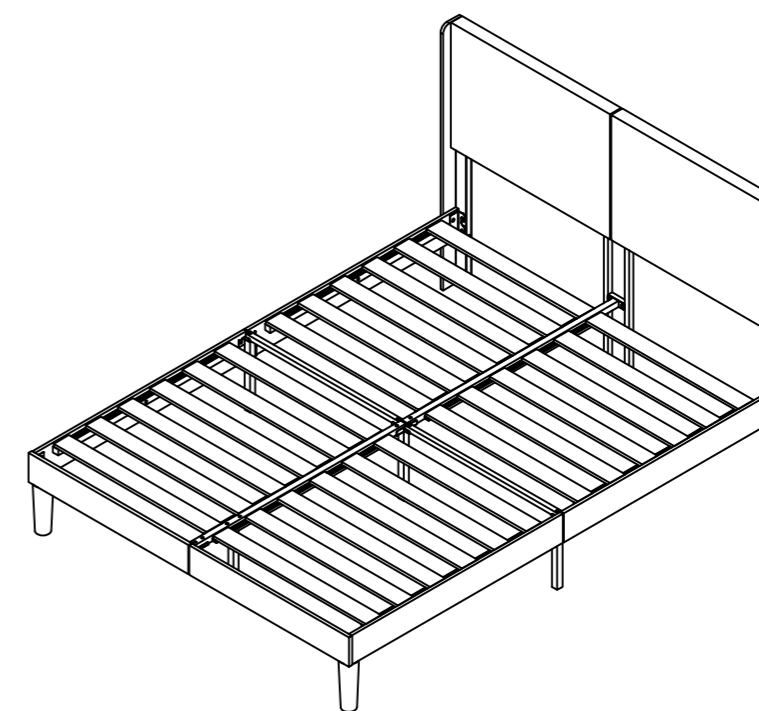
Attach the wing guard (F1) to the headboard leg (E1) and the wing guard (F2) to the headboard leg (E2) using bolts (X1) and (X7).

Step 13



Place the slats (M) onto the side rails and center bed rails, and secure firmly with hook-and-loop strips.

Step 14



Tighten all bolts securely.