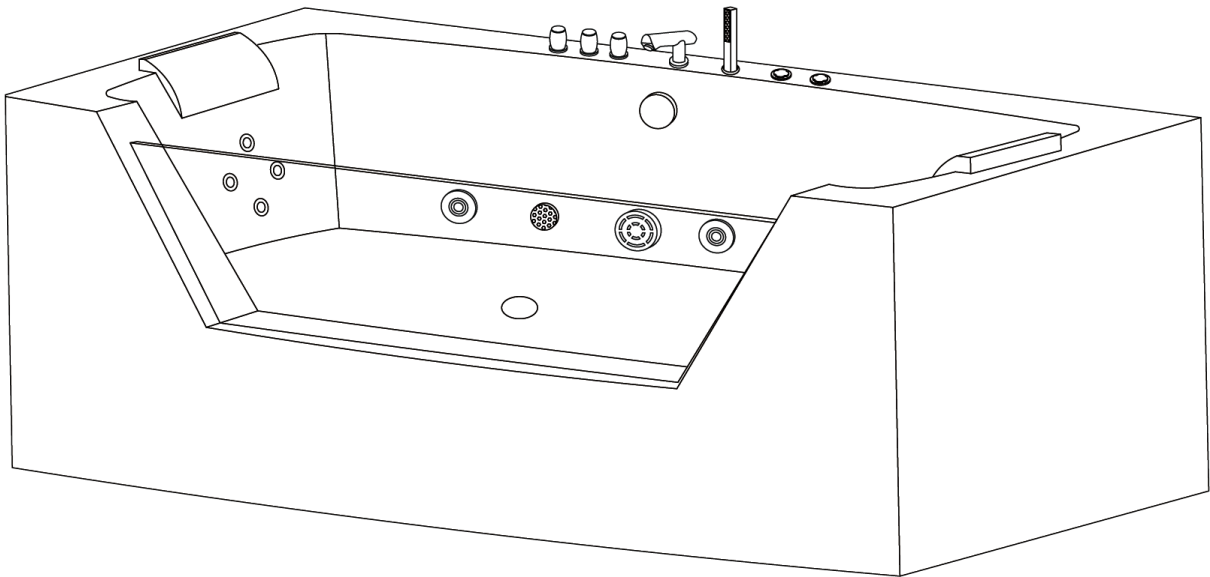


Bathtub Mounting Guide



Dimensions: 1740*790*550mm

1500*710*550mm

1620*760*550mm

Table of Contents

English (ENG).....	3
Čeština (CZ).....	23
Dansk (DK).....	43
Nederlands (NL).....	63
Suomi (FI).....	83
Français (FR).....	103
Deutsch (DE).....	123
Magyar (HU).....	143
Italiano (IT).....	163
Norsk (NO).....	183
Polski (PL).....	203
Português (PT).....	223
Español (ES).....	244
Svenska (SE).....	264
Slovenčina (SK).....	284

English (ENG)

Bathtub Assembly Instructions

Manufacturer and importer:

Beliani GmbH, Haldenstrasse 5, 6340 Baar, Switzerland



Instructions for use:

Be sure to read this instruction manual carefully before installation.

Inspecting the goods upon delivery

Upon receipt, check the product for completeness and any damages. If damage is evident, inform the seller immediately. We are not liable for damages occurring during or after installation.

Raising/moving the tub

To lift or move the tub, grab it by the edges - never by the hoses or installation parts.

Laying circuits

Pipes must not be laid beneath the bathtub.

Protection against damage

Utilise appropriate protective covers to prevent damage to surfaces and blockages caused by dirt or dust during the fitting process. Before commencing the installation/fitting, temporarily cover sensitive components such as drains, nozzles, and the control panel with protective covers.

Special precaution

When cleaning the tiles, ensure that ammonia or any similar aggressive cleaning agents do not come into contact with the built-in components.

Electrical connection (230 V)

This task should only be undertaken by a qualified electrician. Ensure protection is provided through a residual current circuit breaker (30 mA).

Safety regulations

During the installation of the bathtub, there are several simple steps to consider, to prevent potential accidents. The installation should only be carried out by qualified technicians. The bathtub must be connected to a voltage of 230 V AC at 50 Hz. The device must be powered through a residual current device with a rated residual current not exceeding 30 mA. Additionally, the electrical installation must be equipped with a circuit breaker to ensure the all-pole disconnection from the power supply.

A voltage equalisation connection must be established between the metal elements of the bathtub, following the appropriate regulations in each country. Parts with live components, except for those operating at a protective extra-low voltage not exceeding 12 V, must be inaccessible to the person in the bathtub. Electrical components must be positioned or secured in a way that prevents them from falling into the bathtub.



Water connection via water massage or overflow

As soon as the water inlet is below the tub's rim, a connection must be established with a safety device in accordance with EN 1717 (Fluid category 5). For instance, this may involve employing a DC safety device (e.g., a type 1 pipe-interrupter with a permanent connection to the atmosphere) based on the specific installation requirements. This connection must be carried out exclusively by a qualified specialist. These guidelines apply to the following scenarios:

- A. All tubs that are filled through the overflow.
- B. All tubs that are connected and filled through the nozzles of the water massage in the existing T fitting.

In both cases, the connection must be made using reinforced elastic tubing capable of carrying premixed hot and cold water.

Flow rate: maximum 20 litres/min (EN 200)

Overflow capacity: Minimum 36 litres/min (EN 274)

Drainage capacity: Minimum 48 litres/min (EN 274)

Permanent installation

Maintenance hatches should be provided with dimensions of at least 50 x 50 cm, ensuring accessibility to technical components such as the pump, blower, valves, connection box, and other connections. Preferably, employ removable side panels, but always prioritise rigid elements.

Additionally, it is recommended to install 20 x 20 cm maintenance hatches for drainage/overflow, ensuring proper noise insulation during installation.

For proper ventilation, the installation of a ventilation grill (not supplied) is absolutely necessary. Depending on the bathtub model, position the ventilation grill in the wall lining near the units. Inside the hatch, a ventilation grid (minimum 150 cm) can be fitted to supply air to the blower. Alternatively, consider placing a maintenance hatch/ventilation grid in the adjacent room.

To optimise sound insulation, install the ventilation grid with soundproofing materials. It is also acceptable to place the ventilation grid in the adjacent room, if suitable.

When space is limited: If there is insufficient room for a maintenance hatch, "surface mounting" is recommended to allow for the complete disassembly of the bathtub when necessary. Ensure that the drainage pipe, electrical connections, and, if applicable, the water supply line can be disconnected through the ventilation opening. Seal the entire perimeter of the bathtub rim with silicone (acetic acid-free).

The bathtub should be placed on a surface that supports the water (e.g. tiles) and with a slight drop to the outside, so that, in case of a possible leak or water falling in, it will come out under the skirting and not accumulate under the bathtub. The guarantee does not cover water damage caused by poor installation. It is recommended not to completely surround the whirlpool bathtub with tiles. The water pump, air pump and ozone disinfection require air circulation.

Water should not be poured directly into the shower holder during use. The guarantee does not cover water damage caused by misuse. The internal components of the bath must be easily accessible, otherwise, the warranty does not cover access to the internal components in case of failure.

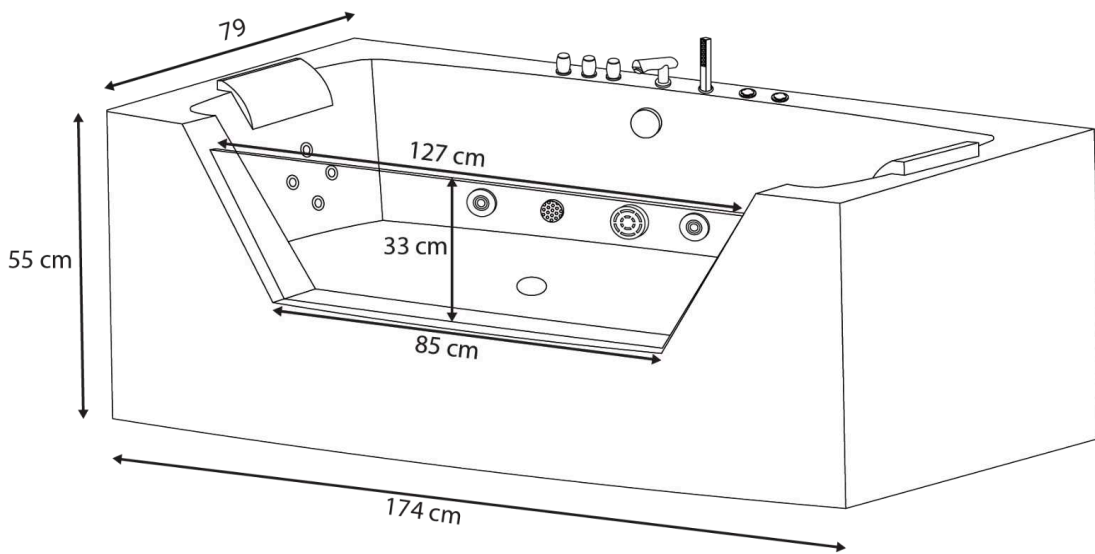
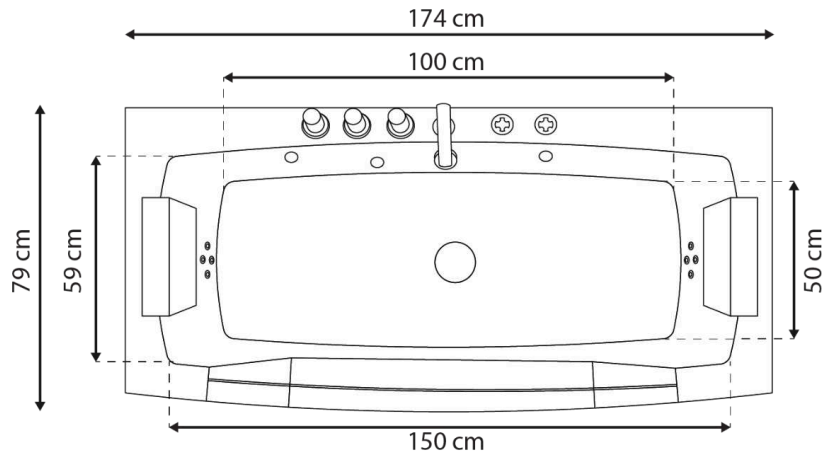
Checking for leakage

After connecting the water inlet and drain of the bathtub, it must be filled and checked for leaks. Check the following functions using the control panel:

- A. Air system
- B. Water pump settings

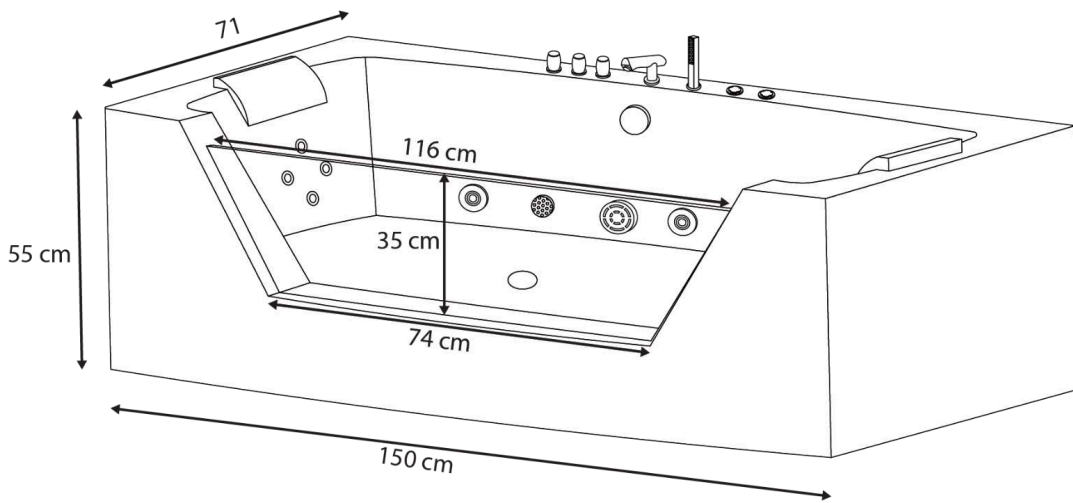
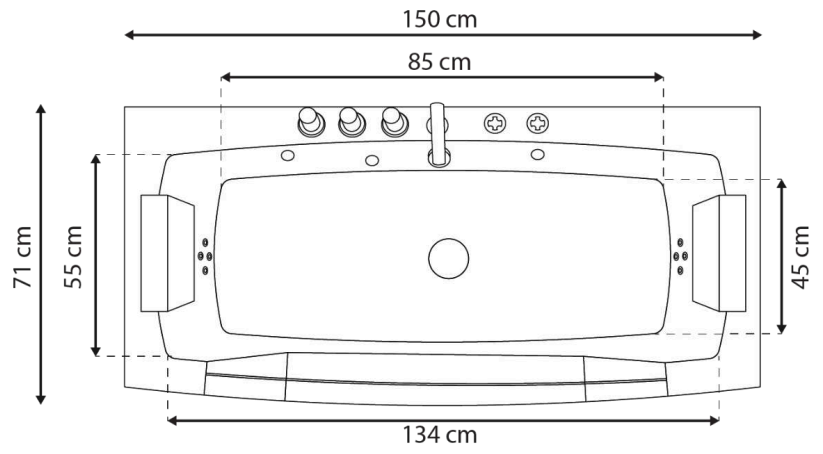
Bathtub water temperature should not exceed 40 °C.

1740*790*550mm



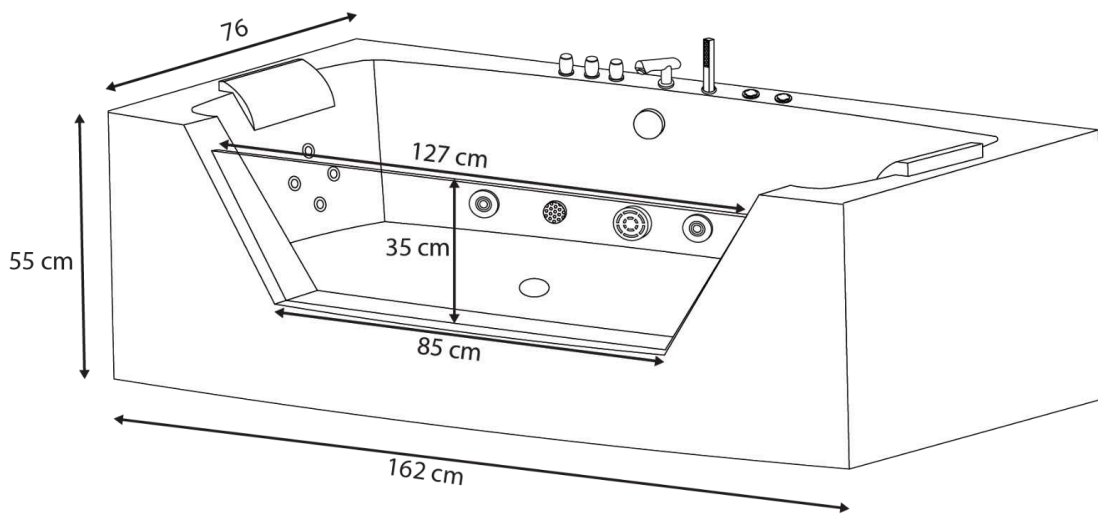
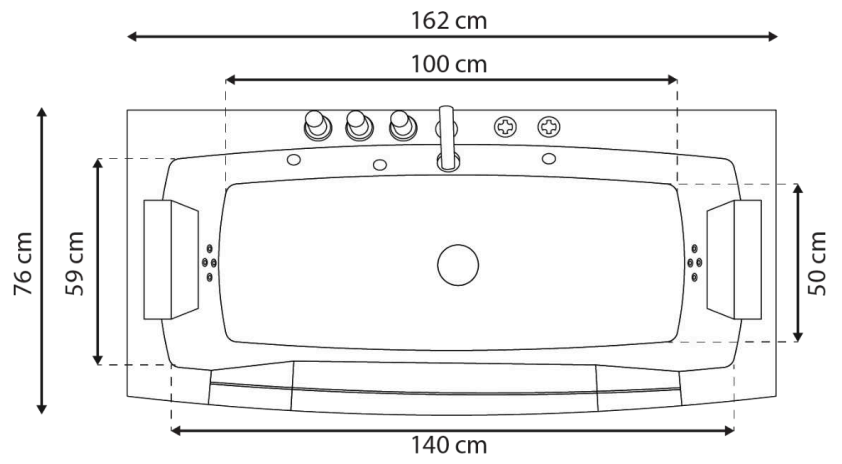
+/- 2 cm

1500*710*550mm



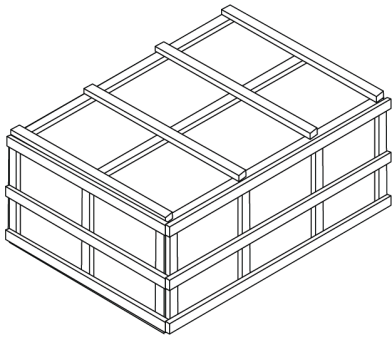
+/- 2 cm

1620*760*550mm

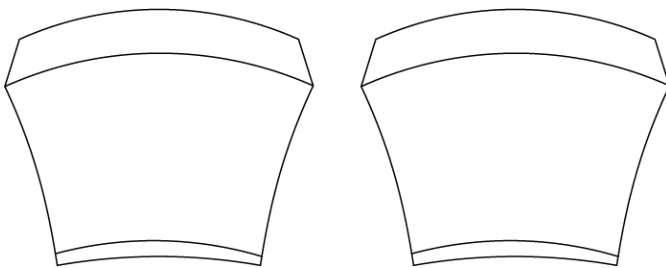


+/- 2 cm

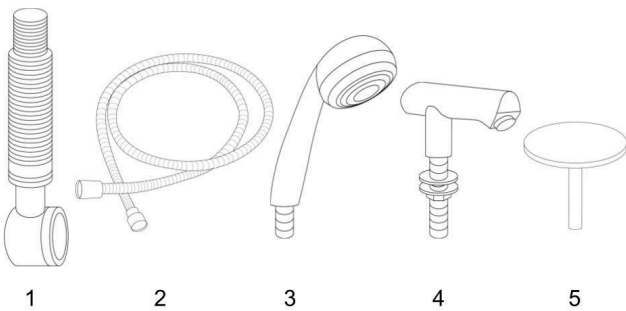
Package contents



Use scissors to open the packaging;
Ensure that all parts are inside the
packaging.

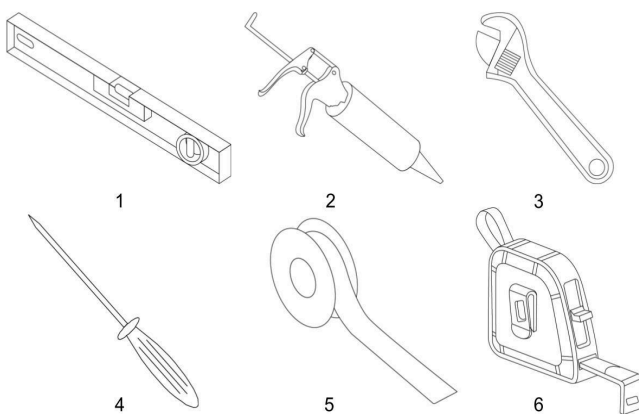


2 x Headrest



Accessories Box

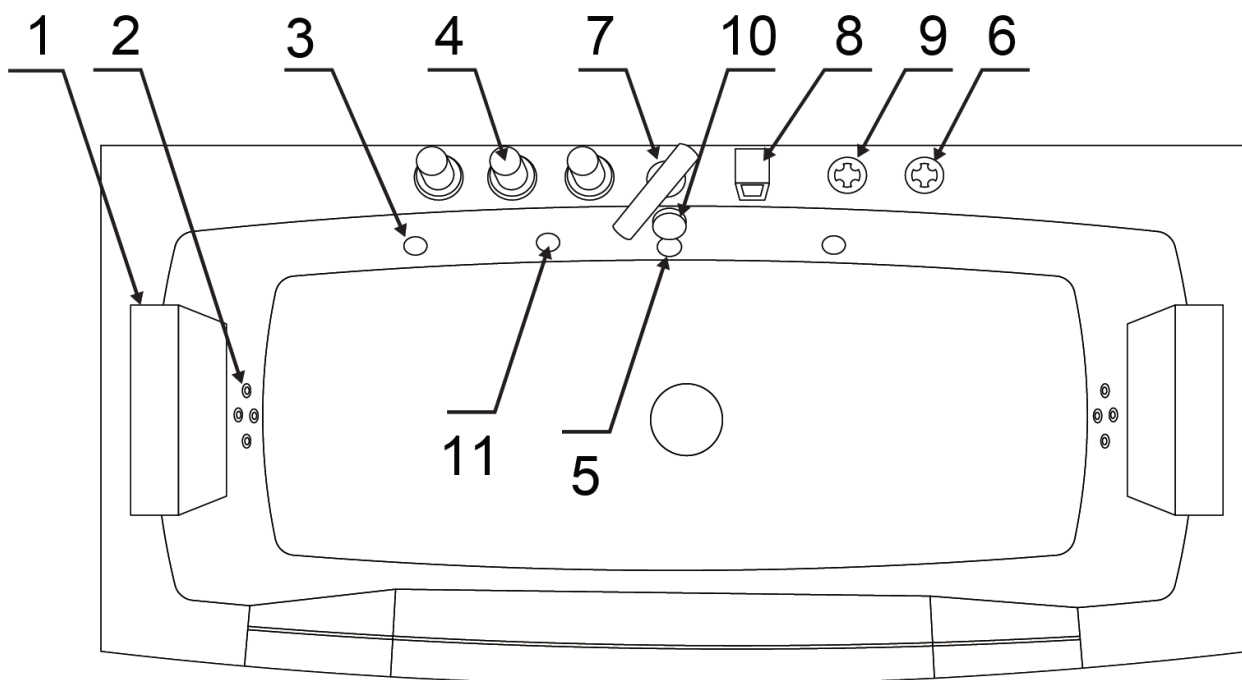
1. 1x Drain
2. 1x Hand Shower Hose
3. 1x Hand Shower
4. 1x Waterfall Inlet
5. 1x Drain Cover



Tools Required for Assembly

1. Spirit Level
2. Sealant
3. Adjustable Wrench
4. Screwdriver
5. PTFE Thread Seal Tape
6. Measuring Tape

**Preparation
Construction of the bathtub**

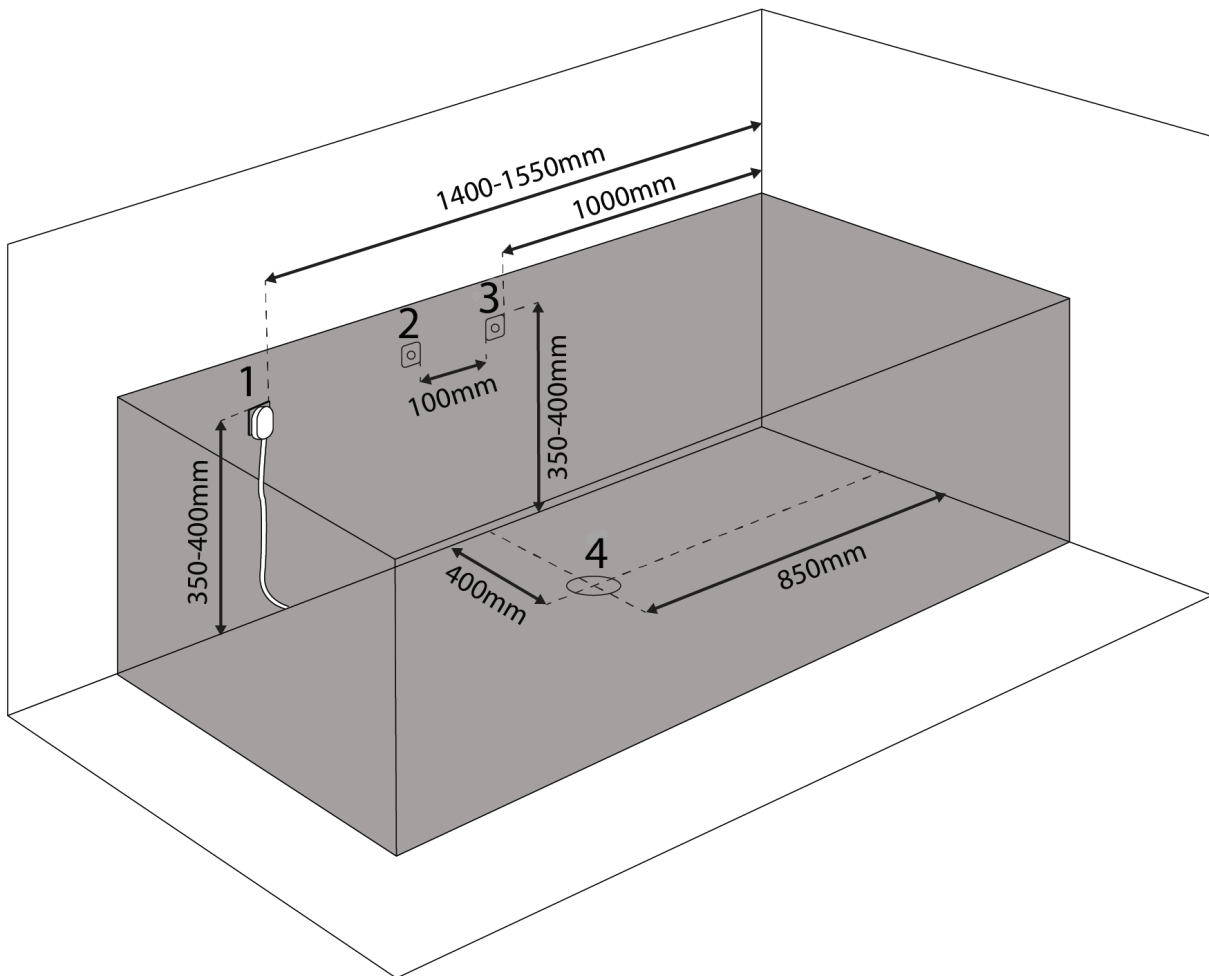


Item	Description	Item	Description
1	Headrest	2	Small Jets
3	Big Jets	4	Faucet
5	Suction	6	On/Off Switch
7	Tap	8	Handshower
9	Regulator	10	Drain Regulator
11	Underwater Light		

Electrical parameters

Nominal voltage	Rated frequency	Max. Rated power	Max. Rated power
230 V	50 Hz	2600 W	11.8 A

1. To be performed only by a qualified electrician. Ensure protection through an RCD (30 mA).
2. An electric leakage protection must be present in the power supply. Electrical cables must be secured. The size of the electrical cable should not be less than 2.5 mm². The power supply equipment must comply with national regulations.
3. Warning: When using electrical devices, you should take the following safety precautions.
4. Hazards: Risk of electric shock. Connect circuits only when protected by a GFCI (Ground Fault Circuit Interrupter). A GFCI is not included, but we will provide you with all necessary information about it. A GFCI is required by law.

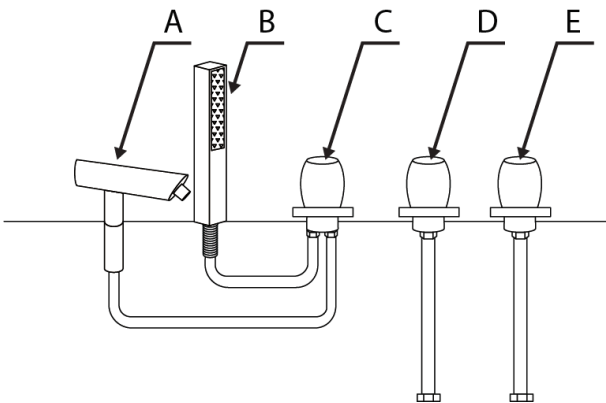


Outlet's plan

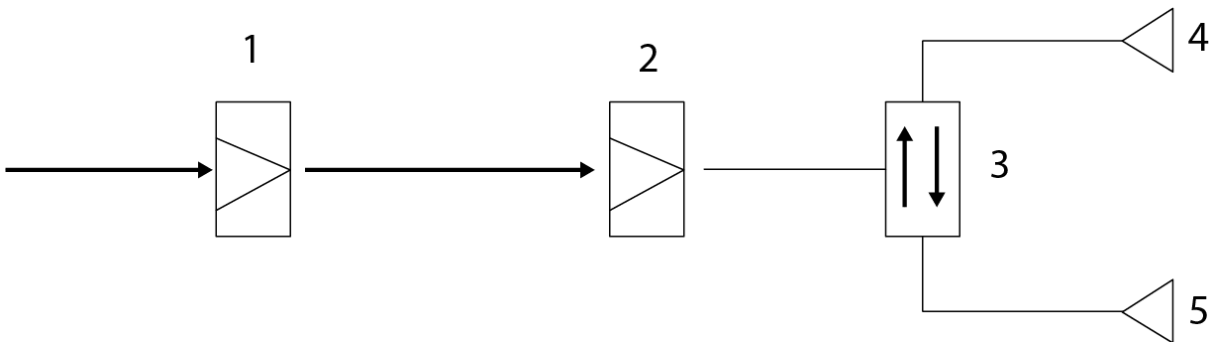
- 1. Electrical Outlet
- 2. Warm Water
- 3. Cold Water
- 4. Drainage Hole

Connection plan

- A. Tap Fitting
- B. Hand Shower
- C. Hand Shower and Tap Switch
- D. Hot Water Inlet
- E. Cold Water Inlet

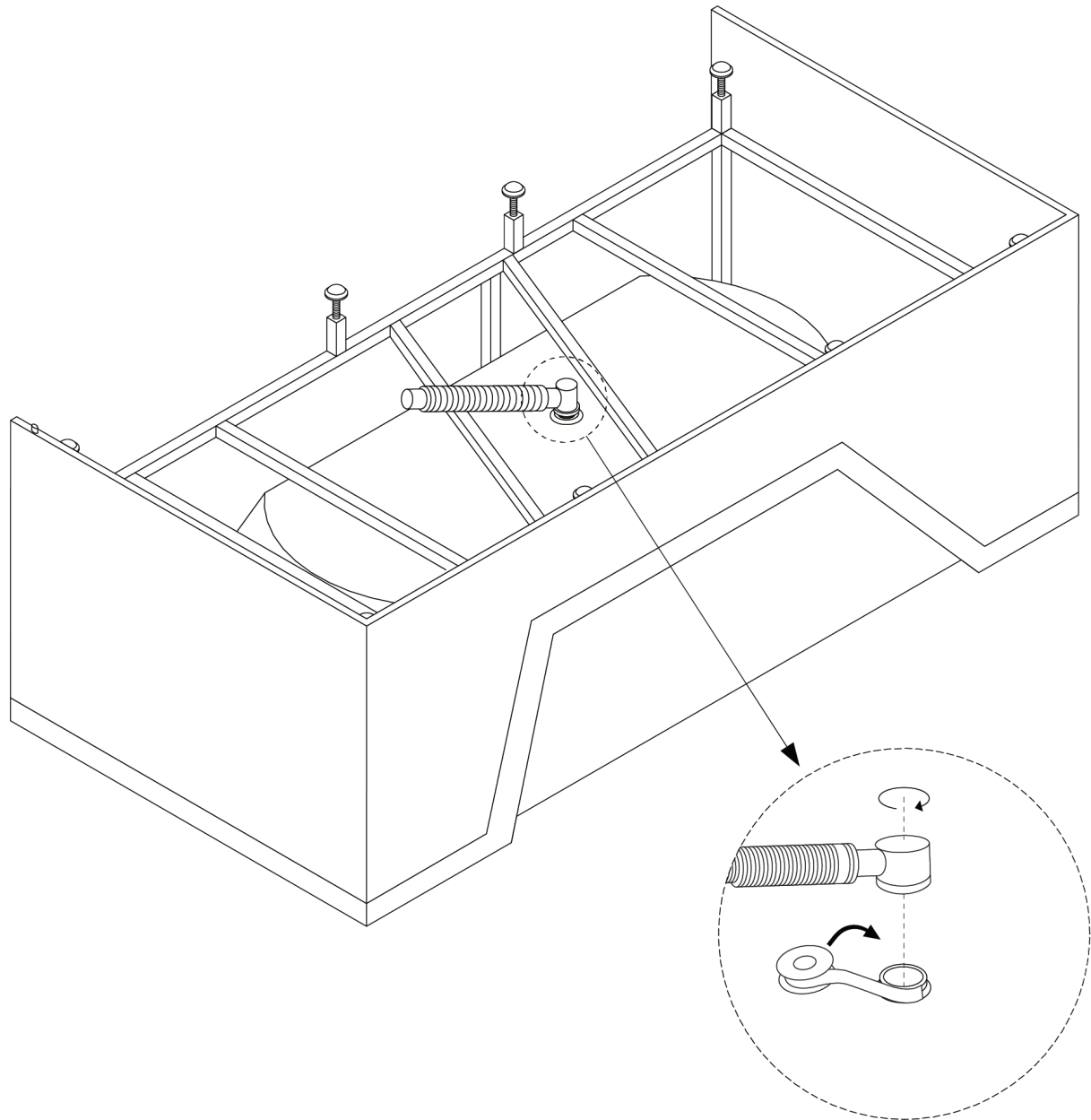


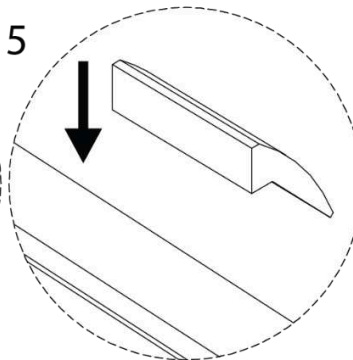
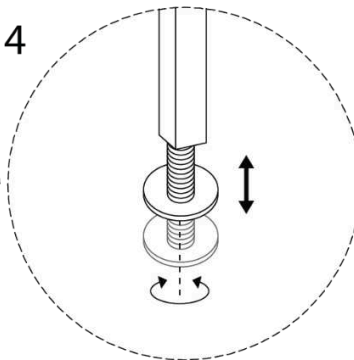
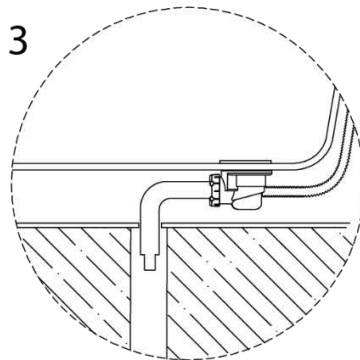
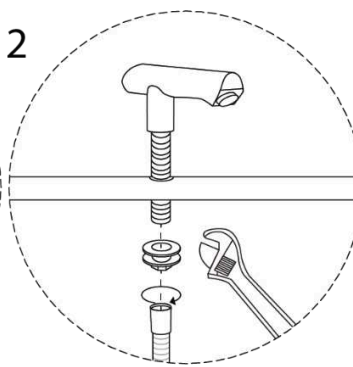
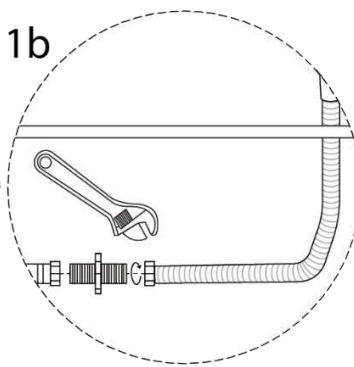
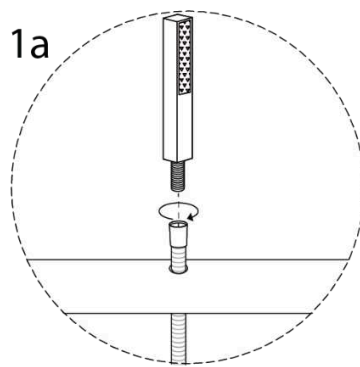
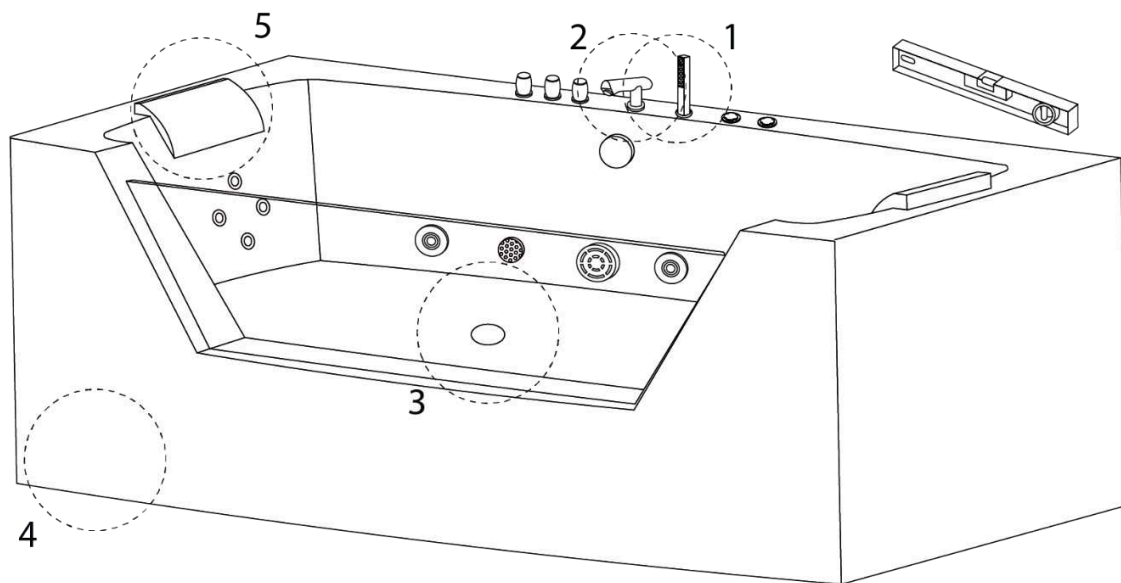
Water supply

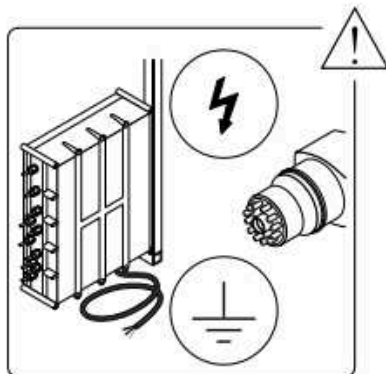
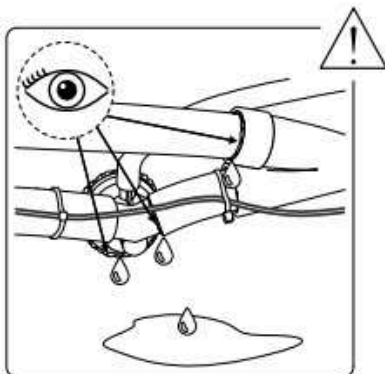
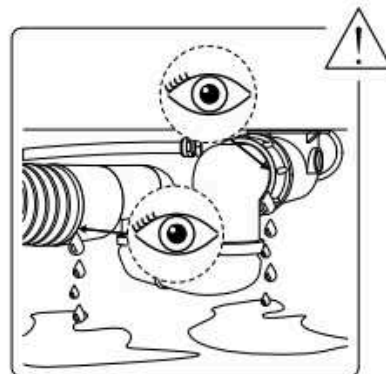
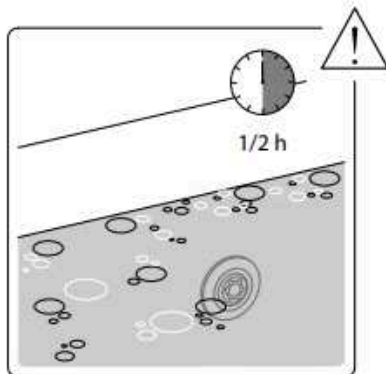
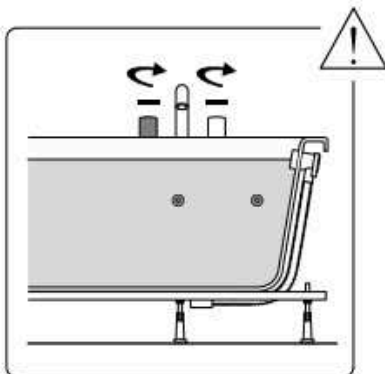
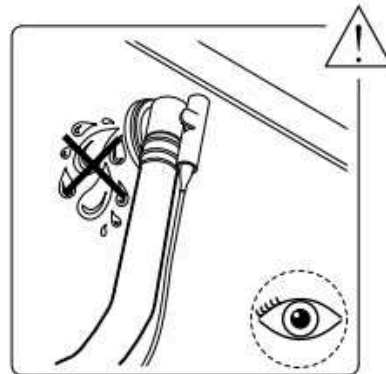
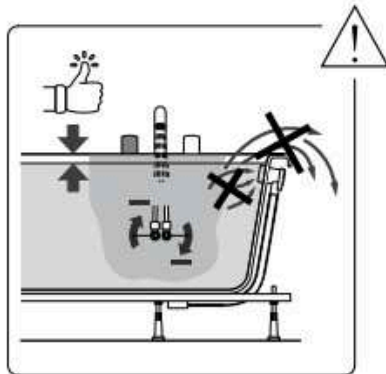
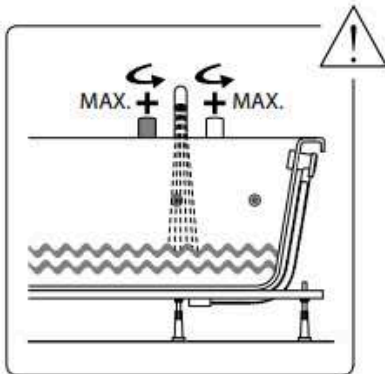
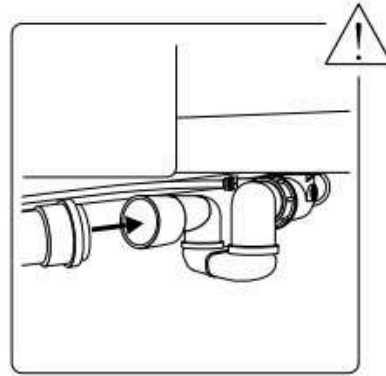
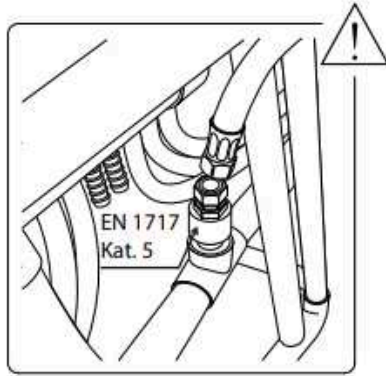
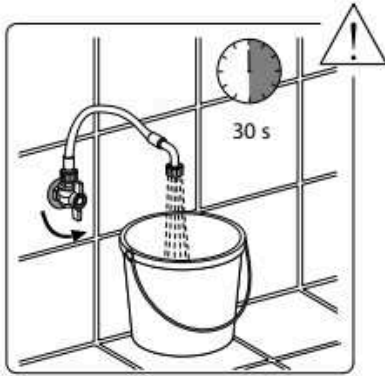


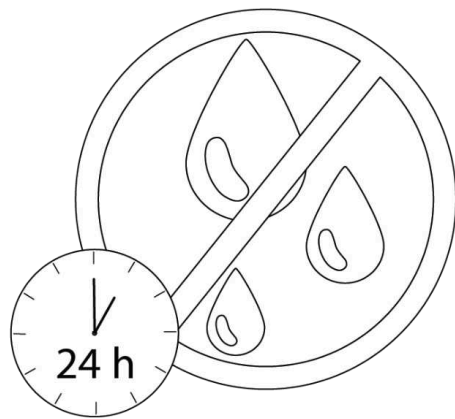
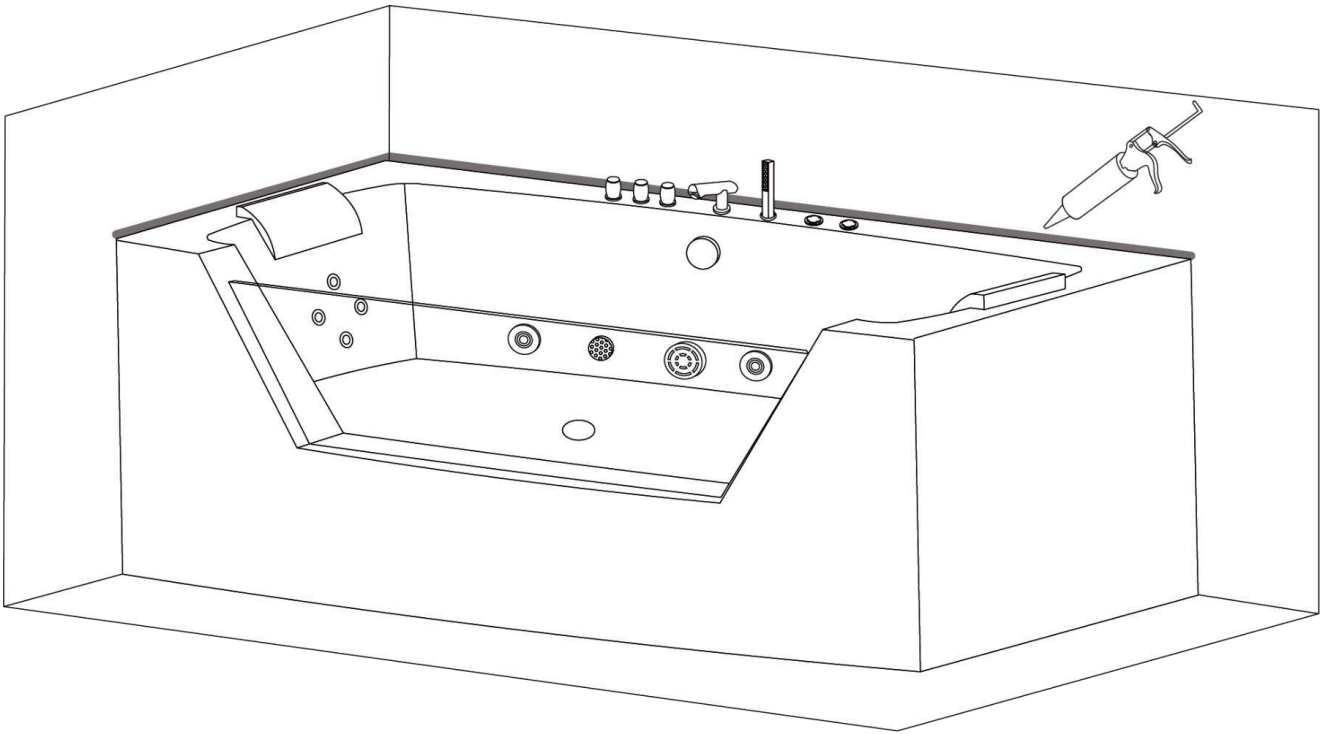
- 1. Cold Water

2. Warm Water
3. Switching between Hand Shower and Tap
4. Hand Shower
5. Waterfall Tap









Instruction on how to operate the bathtub

1. Turn on the power.
2. Switch on the cold and hot water boilers and adjust the temperature.
3. Use the controller to fill the bathtub with water either from the tap or the handheld shower head
4. Do not activate the water pump until the water level reaches the jets.
5. Use the air regulator to adjust the massage intensity.
6. Rotate the handheld shower head to adjust the massage effects.
7. The light will turn on and change colours automatically when you turn on the water pump. The light will switch off when you turn off the water pump.
8. Press the air switch to turn off the pump. Drain the water after use, and finally, turn off the power.

Troubleshooting

Error	Possible Reasons	Try This
Water pump not working	The power plug is not properly connected; the leak protection is not connected	Plug in the power plug and connect the leak protector
	The water pump impeller is blocked by something small	Clean the water pump impeller
	The water pump is turned off	Turn on the water pump.
	The power plug has not been inserted correctly	Plug in the power supply correctly
	Broken water pump	Repair or replace the water pump
Massage jets do not start	Voltage issue	Check the voltage
	On/Off button is not on or not functioning	Check the switch or replace it
	Water circulation is blocked	Clean the water pipes
Bathtub is not	Adjustable feet are not set correctly	Adjust the feet

level		
Water overflow	Overflow drain is defective	Replace the overflow drain
	Nuts are loose	Tighten the nuts
	Connecting parts are not correctly attached	Inspect the adhesive of the connecting parts

Cleaning

1. Use a soft cloth for cleaning purposes, avoiding the use of strong detergents that contain acetone or ammonia. It is strictly prohibited to disinfect using formic acid or formaldehyde.
2. If there is a scratch on the surface, utilise 2000-grit wet sandpaper to gently polish it. Afterwards, proceed to polish it further using toothpaste and a soft cloth.
3. Limescale deposits can be removed using vinegar or lemon juice.
4. If the water circulation is blocked, unscrew the nozzles and pipes and clean them.
5. Frequent cleaning is not necessary for the gold-plated and silver-plated components.
6. Please refrain from striking the bathtub with hard objects. Additionally, please avoid direct contact between the bathtub and hot items that exceed a temperature of 70 °C (e.g., cigarettes). Do not clean the bathtub with chemical substances that contain bleach.
7. Drain the water and unplug the power cord after use.
8. Cleaning the water massage system: Fill the bathtub with 40 °C hot water and add 2g of detergent per litre. Let the massage system run for 5 minutes. Afterwards, stop it and drain the water. Refill the bathtub with cold water and activate the massage system for 3 minutes. You can now drain the water again, and your massage jets are cleaned.

Precautions

1. Installation should be carried out by a qualified plumbing installer. Please follow the instructions provided in the manual.
2. Appropriate hoses should be acquired from local sources and connected by a specialist. Under no circumstances should any connecting hoses provided by the seller be utilised.
3. All hoses need to be checked and sealed by a specialist before using the product and on a regular basis. Hoses can get disconnected during transportation or over time.

4. When installing the product, the customer must ensure that the front panel is easily accessible at all times for maintenance purposes and in the event that parts need replacement.
5. The electrical components should comply with national safety standards. Install an earth leakage circuit breaker for the power supply.
6. Do not run overheated water, and only activate the jets once the water level is above them.
7. The device operates at a rated voltage of 230V. Disconnect the power supply after use.
8. It is recommended not to stay in the bathtub for longer than 30 minutes.
9. Restart the device occasionally.
10. If the power cord is damaged, it must be replaced immediately.
11. Read the user manual carefully to avoid accidents and other damages.
12. Regularly clean and maintain the bathtub or whirlpool according to the manufacturer's instructions to prevent build-up of dirt and bacteria and mould growth.
13. In case of a defect, the customer is responsible for the removal of the defective part and its reassembly.

General information on functionality and usage

Drain water after each bath. Never leave children unattended in the bathtub.

Whirlpool care instructions

The surface is easy to clean and maintain. The smooth surface hardly attracts dirt. Regular maintenance: sponge, soft cloth, some antistatic cleaning agent. This way, the bathtub retains its shine and becomes dirt-repellent. Avoid the use of abrasive or solvent-based cleaners that could damage the surface of the tub. For stubborn dirt, use a liquid household cleaner such as dishwashing detergent or soap solution (follow dilution instructions). Remove limescale stains with a limescale remover. Always rinse thoroughly with plenty of clear water and polish with a cloth. Do not use acidic cleaning agents or vinegar-based cleaners.

Damage

Scratched surfaces should be handled by a professional. Treat with solvent-free polishing paste. If necessary, the surface can be first treated with wet sandpaper (n°800, followed by n°1200) before polishing. Do not use any alcohol- or acetone-based solvents. Damages resulting from improper user handling are not covered by our warranty.



Caution! When wet, the surface presents an increased risk of slipping. This is particularly the case when using soaps, shampoos, bath oils, etc.

Subject to change

Beliani reserves the right to make changes or product modifications without notice.

Importer:

Beliani GmbH Haldenstrasse 5 6340 Baar Switzerland

Declaration of Performance

1. Product Type Unique Identifier: Product Number at the bottom of page
2. Intended use: Whirlpool tubs for domestic use for personal hygiene (PH)
3. Importer:
Beliani GmbH
Haldenstrasse 5
6340 Baar
Switzerland
Telephone +41 43 5082233
4. Authorised representative: %
5. System of assessment and verification of constancy of performance: System 4
 - a. Harmonised standard: EN 12764:2015
Notified body: %
 - b. European Assessment Document: %
European Technical Assessment: %
Technical Assessment Body: %
Notified body: %
6. Declared performances:
Essential characteristics Performance Harmonised technical specification
Safety against
Hair entanglement (HE) Passed EN 12764:2004+A1:2008
Cleanability (CA) Passed EN 12764:2004+A1:2008
Durability (DA) Passed EN 12764:2004+A1:2008
7. Appropriate Technical Documentation or Specific Technical Documentation:
Report No: 50074404 001 TÜV Rheinland

The performance of the above product corresponds to the declared performances.
The importer named above is solely responsible for preparing the declaration of performance in accordance with Regulation (EU) No. 305/2011.

Appendix

Article number	Article name	Power output
1213 MONTEGO	Bathtub with massage function	HE + CA + DA
1218 SAMANA	Bathtub with massage function	HE + CA + DA
1219 MARTINICA	Bathtub with massage function	HE + CA + DA
15497 TOCOA	Bathtub with massage function	HE + CA + DA
13720 SALAMANCA	Bathtub with massage function	HE + CA + DA
14894 MONTEGO	Bathtub with massage function	HE + CA + DA
1216 PARADISO	Bathtub with massage function	HE + CA + DA
1217 PARADISO	Bathtub with massage function	HE + CA + DA
1223 VARADERO	Bathtub with massage function	HE + CA + DA
14892 PARADISO	Bathtub with massage function	HE + CA + DA

Signed for the importer and on behalf of the manufacturer by:
Michael Widmer, Managing Director



6340 Baar, 13.05.2020

Čeština (CZ)

Návod k montáži vany

Výrobce a dovozce:

Beliani GmbH, Haldenstrasse 5, 6340 Baar, Švýcarsko



Návod k použití:

Před instalací si pečlivě přečtěte tyto pokyny k použití.

Kontrola zboží při dodání

Při převzetí zkontrolujte kompletnost produktu a případné poškození. Pokud jsou patrná jakákoli poškození, neprodleně informujte prodejce. Nejsme odpovědní za poškození vzniklá během nebo po instalaci.

Zvedání/přemísťování vany

Při zvedání nebo přemísťování vany ji uchopte za okraje - nikdy ne za hadice nebo instalační díly.

Pokládání potrubí

Potrubí se nesmí pokládat pod vanu.

Ochrana proti poškození

Použijte vhodné ochranné kryty, abyste zabránili poškození povrchů a ucpání způsobeného nečistotami nebo prachem během montáže. Před zahájením instalace dočasně zakryjte citlivé komponenty, jako jsou odtoky, trysky a ovládací panel, ochrannými kryty.

Zvláštní bezpečnostní opatření

Při čištění dlaždic se ujistěte, že amoniak nebo jakékoliv podobné agresivní čisticí prostředky nepříjdou do styku s vestavěnými komponenty.

Elektrické připojení (230 V)

Tento úkol by měl provádět pouze kvalifikovaný elektrikář. Ujistěte se, že je zajištěna ochrana pomocí proudového chrániče (30 mA).

Bezpečnostní předpisy

Při instalaci vany je třeba dodržovat několik jednoduchých kroků, které zabrání případným nehodám. Instalace by měla být prováděna pouze kvalifikovanými technikami. Vana musí být připojena k napětí 230 V AC při 50 Hz. Zařízení musí být zapojeno přes proudový chránič se zbytkovým proudem nepřesahujícím 30 mA. Navíc musí být elektrická instalace vybavena jističem, který zajišťuje odpojení všech pólů od napájení.

Mezi kovovými částmi vany musí být zřízeno vyrovnávací spojení, a to v souladu s příslušnými předpisy v každé zemi. Části s prvky pod napětím, s výjimkou těch pracujících s ochranným velmi nízkým napětím nepřesahujícím 12 V, musí být pro osobu ve vaně nepřístupné. Elektrické komponenty musí být umístěny nebo zajištěny tak, aby nemohly spadnout do vany.



Připojení vody pro vodní masáž nebo přepadový systém

Jakmile je přívod vody pod okrajem vany, musí být v souladu s normou EN 1717 (kapaliny kategorie 5) vytvořeno spojení s bezpečnostním zařízením. Může jít o použití bezpečnostního zařízení stejnosměrného proudu (např. přerušovače potrubí typu 1 s trvalým připojením k atmosféře) na základě konkrétních požadavků na instalaci. Toto připojení musí být prováděno výhradně kvalifikovaným specialistou. Tato pravidla platí pro následující scénáře:

- A. Všechny vany, které jsou plněny přes přepad.
- B. Všechny vany, které jsou připojeny a plněny přes trysky vodní masáže ve stávající T armatuře.

V obou případech musí být připojení provedeno pomocí zesílené pružné hadice schopné vést předem smíchanou teplou a studenou vodu.

Průtok: Maximálně 20 litrů/min (EN 200)

Kapacita přepadů: Minimálně 36 litrů/min (EN 274)

Kapacita odtoku: Minimálně 48 litrů/min (EN 274)

Trvalá instalace

Údržbové poklopy by měly mít rozměry minimálně 50 x 50 cm, aby byla zajištěna přístupnost k technickým komponentům, jako jsou čerpadlo, ventilátor, ventily, připojovací skříňka a další přípojky. Preferujte odnímatelné boční panely, ale vždy upřednostněte pevné konstrukční díly. Dále je doporučeno nainstalovat údržbové poklopy pro odtok/přepad o rozměrech 20 x 20 cm, aby byla zajištěna správná izolace zvuku během instalace.

Pro správnou ventilaci je nezbytná instalace větrací mřížky (není dodávána). V závislosti na modelu vany umístěte větrací mřížku do obložení stěny blízko jednotek. Uvnitř poklopu lze umístit větrací mřížku (minimálně 150 cm) pro přívod vzduchu k ventilátoru. Alternativně zvažte umístění údržbového poklopu/větrací mřížky v sousední místnosti.

Pro optimalizaci zvukové izolace instalujte větrací mřížku se zvukově izolačními materiály. Pokud je to vhodné, lze větrací mřížku umístit i do sousední místnosti.

Při omezeném prostoru: Pokud není dostatek místa pro údržbový poklop, doporučuje se použít "povrchovou montáž", která v případě potřeby umožní úplné rozebrání vany. Ujistěte se, že odtoková potrubí, elektrická připojení a případně přívod vody lze odpojit skrz větrací otvor. Celý obvod okraje vany utěsněte silikonem (bez obsahu kyseliny octové).

Vana by měla být umístěna na povrchu, který udržuje vodu (např. dlaždice) a s mírným spádem směrem ven, aby v případě možného úniku nebo prosakování voda vytekla pod podlahovou lištou a nehromadila se pod vanou. Záruka nekryje poškození způsobené špatnou instalací. Vířivou vanu se nedoporučuje zcela obložit obklady. Vodní čerpadlo, vzduchové čerpadlo a ozonová dezinfekce vyžadují cirkulaci vzduchu.

Během používání by se voda neměla nalévat přímo do držáku sprchy. Záruka nekryje poškození způsobené nesprávným používáním.

Vnitřní součásti vany musí být snadno přístupné, jinak se záruka nevztahuje na přístup k vnitřním součástem v případě poruchy.

Kontrola těsnění

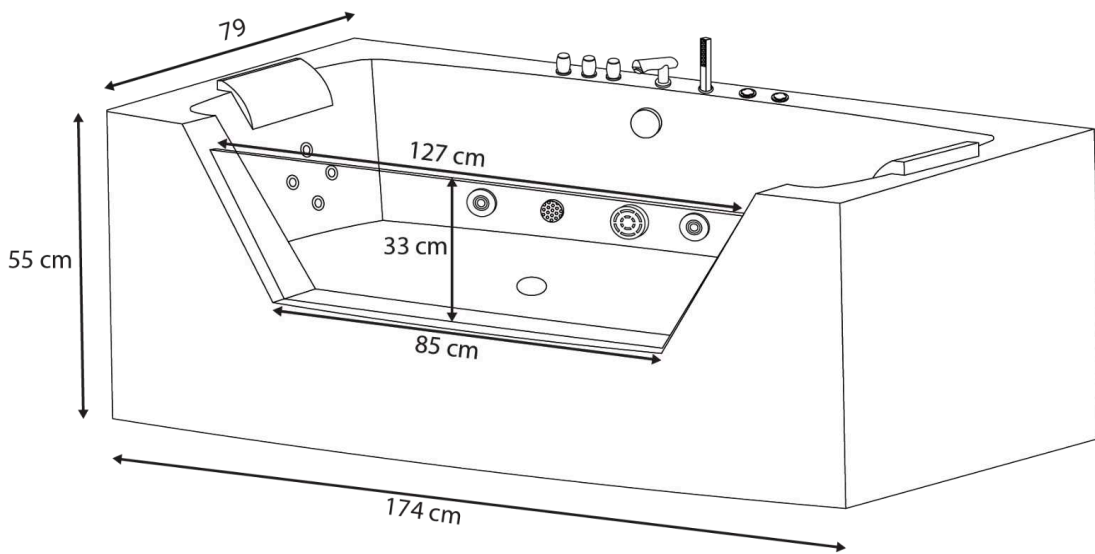
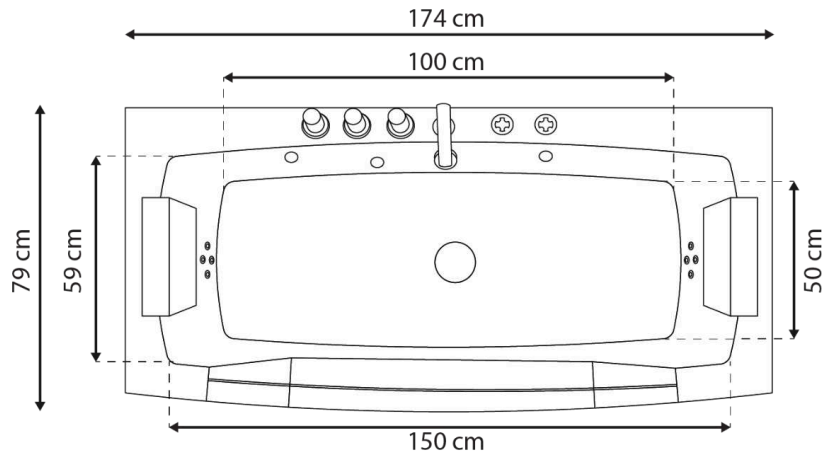
Po připojení přívodu vody a odtoku vany je třeba ji napustit a zkontrolovat, zda těsní.

Zkontrolujte následující funkce pomocí ovládacího panelu:

1. Vzduchový systém
2. Nastavení vodního čerpadla

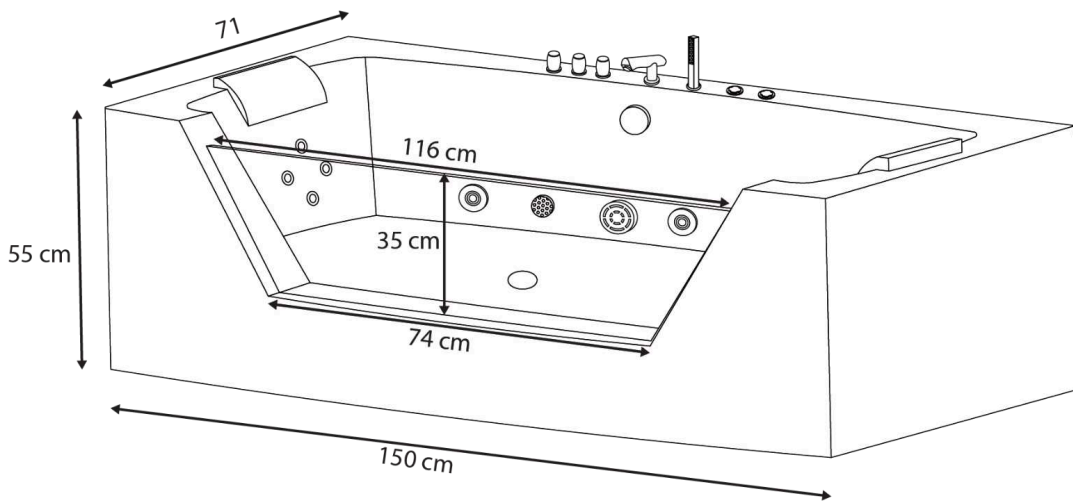
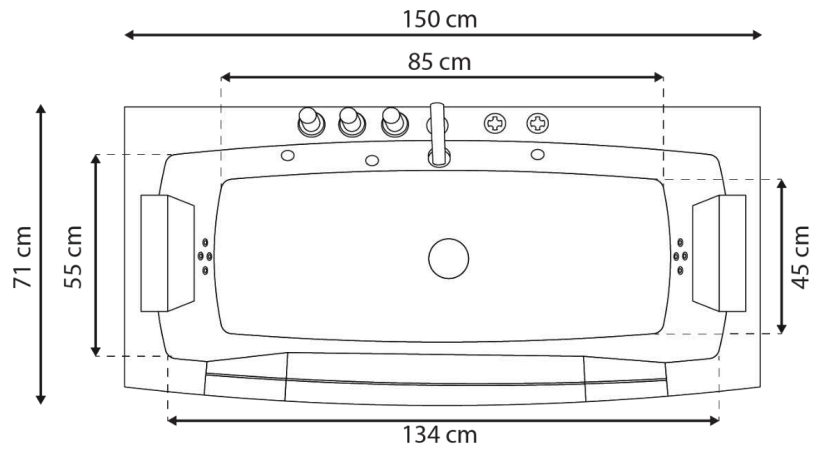
Teplota vody ve vaně by neměla překročit 40 °C.

1740*790*550mm



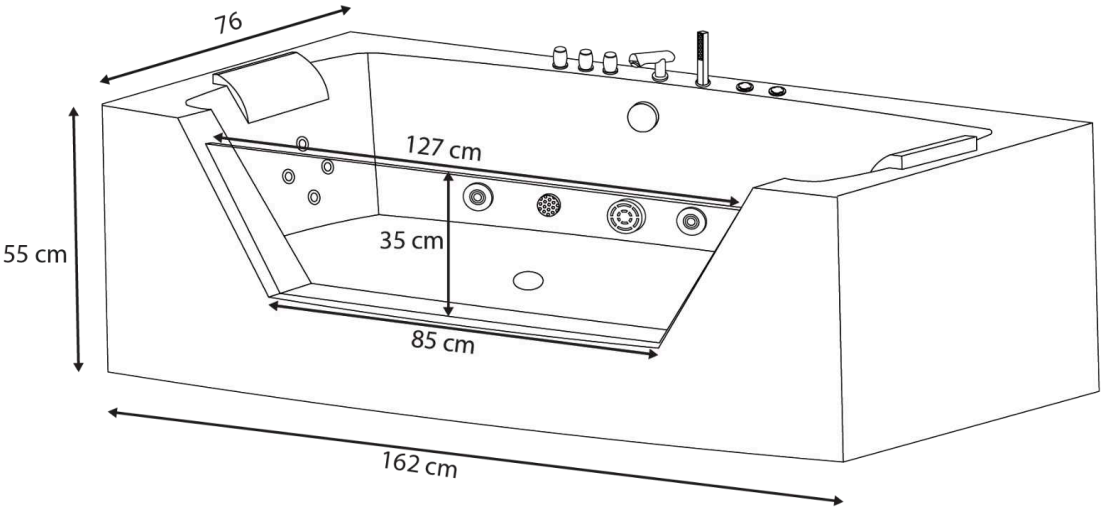
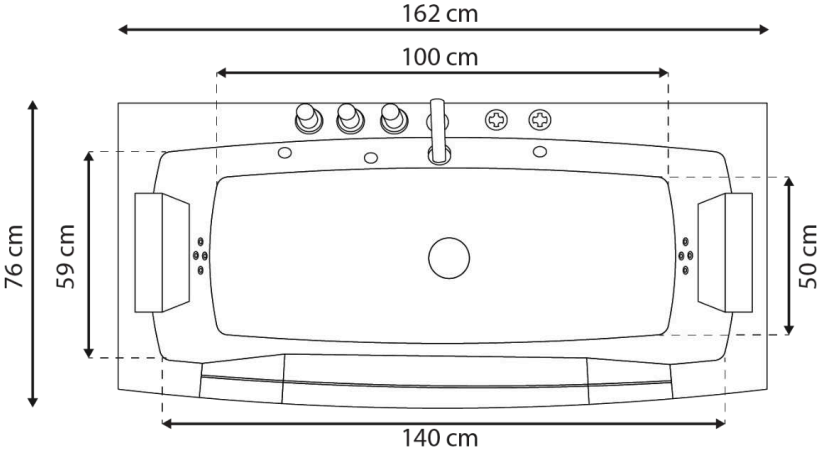
+/- 2 cm

1500*710*550mm



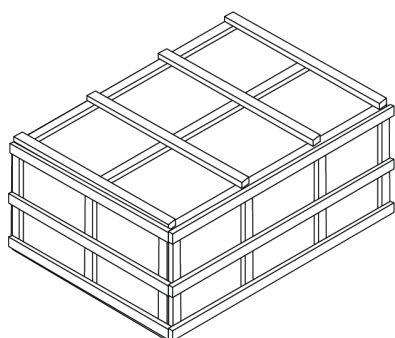
+/- 2 cm

1620*760*550mm

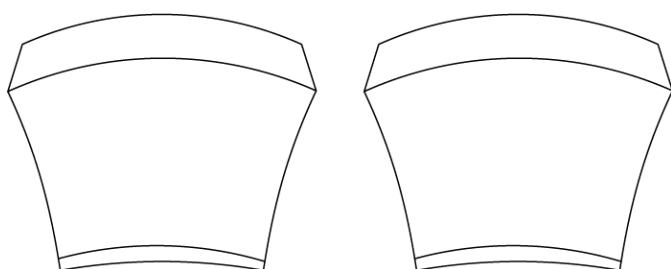


+/- 2 cm

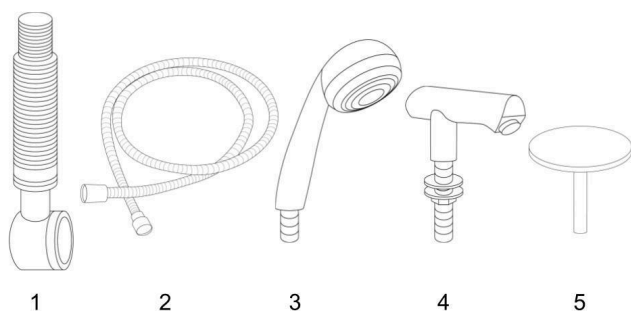
Obsah balení



Použijte nůžky k otevření obalu;
Ujistěte se, že všechny díly jsou uvnitř
obalu.

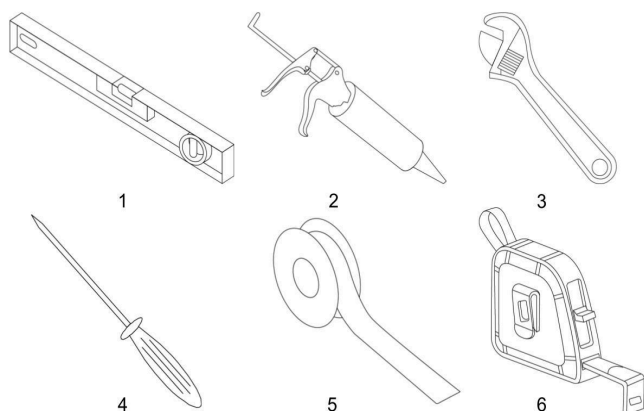


2 x opěrka hlavy



Příslušenství

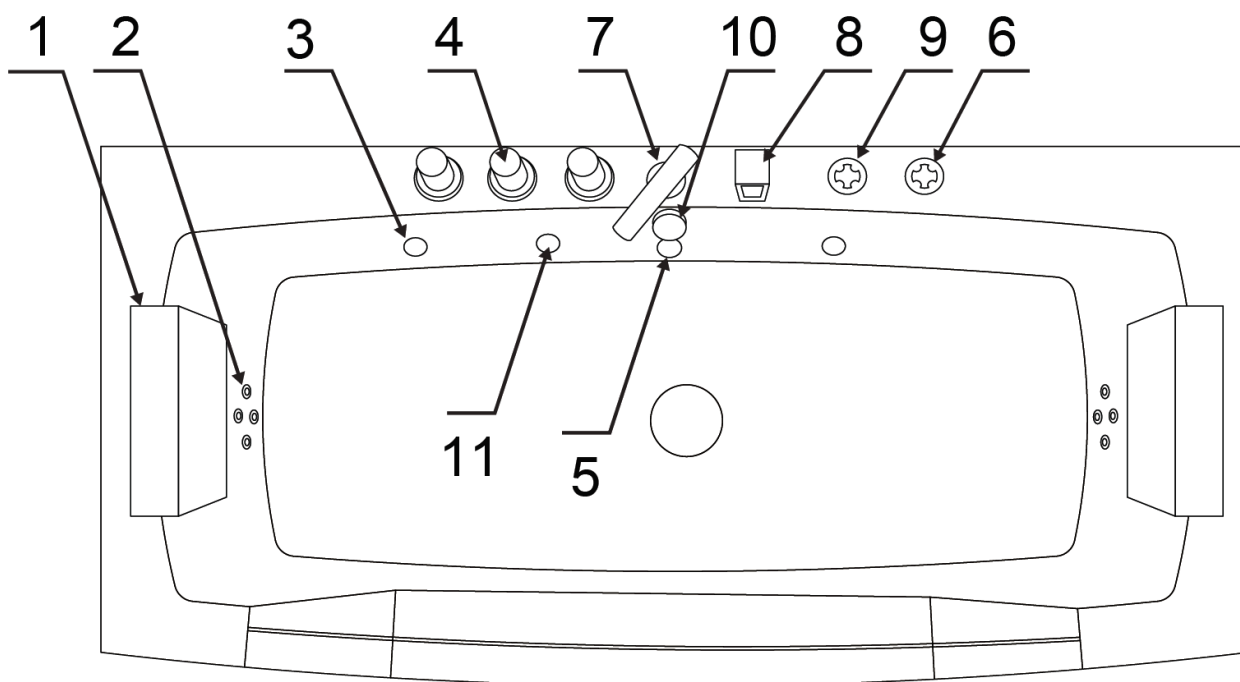
1. 1x odtok
2. 1x hadice ruční sprchy
3. 1x sprchová hlavice
4. 1x přítoková tryska s vodopádem
5. 1x kryt odtoku



Nástroje potřebné k montáži

1. Vodováha
2. Těsnící hmota
3. Nastavitelný klíč
4. Šroubovák
5. PTFE páska na utěsnění závitů
6. Svinovací metr

**Příprava
Montáž vany**

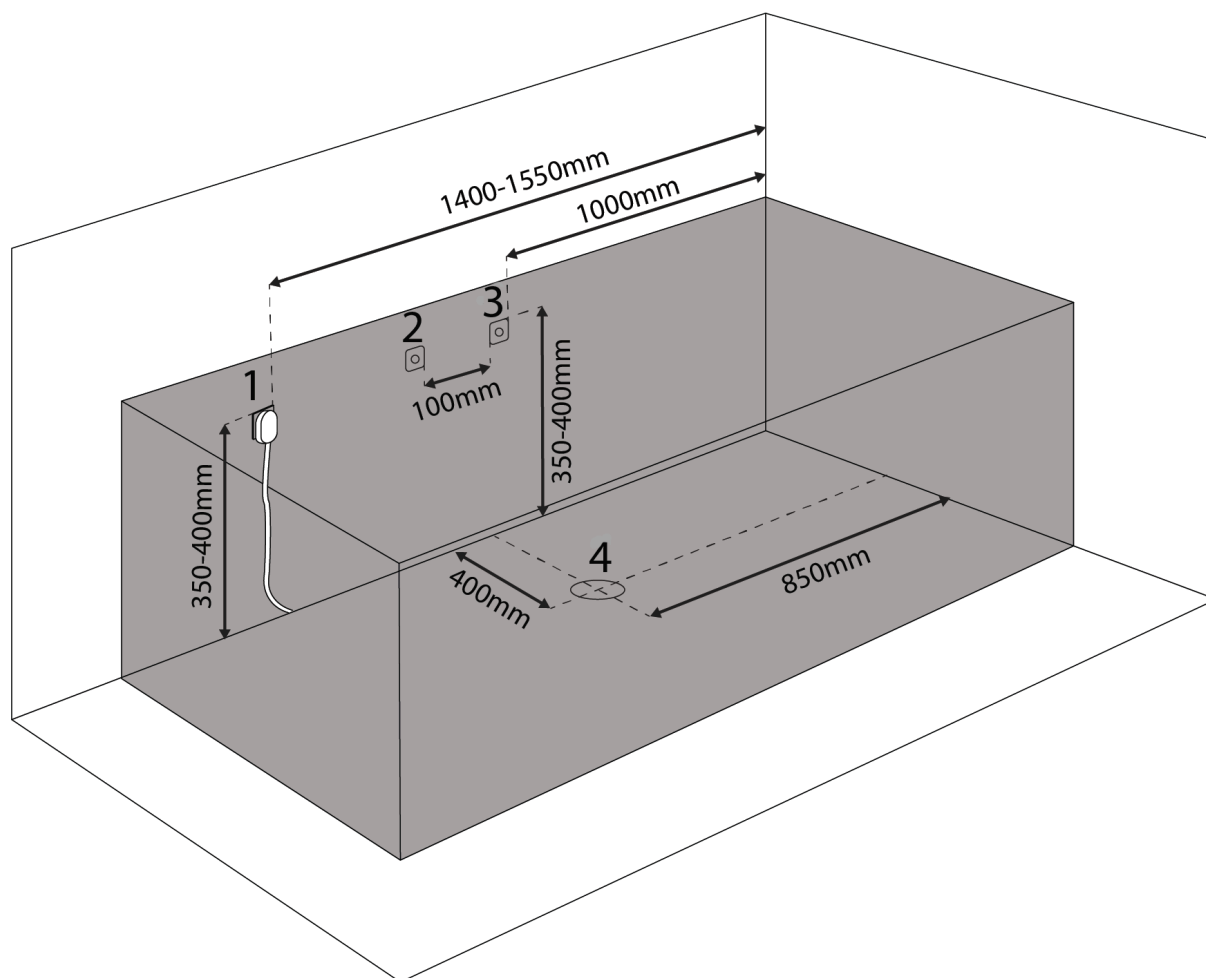


Položka	Popis	Položka	Popis
1	Opěrka hlavy	2	Malé trysky
3	Velké trysky	4	Kohoutek
5	Odsávání	6	Vypínač zapnuto/vypnuto
7	Vodovodní baterie	8	Ruční sprcha
9	Regulátor	10	Odtokový regulátor
11	Podvodní světlo		

Elektrické parametry

Nominální napětí	Nominální frekvence	Maximální hodnota příkonu	Maximální hodnota proudového odběru
230 V	50 Hz	2600 W	11.8 A

1. Tuto činnost by měl provádět pouze kvalifikovaný elektrikář. Zajistěte ochranu pomocí proudového chrániče (30 mA).
2. V napájecím zdroji musí být přítomna ochrana proti úniku elektrického proudu. Elektrické kabely musí být správně upevněny. Velikost elektrického kabelu by neměla být menší než 2,5 mm². Napájecí zařízení musí splňovat národní předpisy.
3. Upozornění: Při používání elektrických zařízení dodržujte následující bezpečnostní opatření.
4. Nebezpečí: Riziko úrazu elektrickým proudem. Zapojování obvodů provádějte pouze tehdy, jsou-li chráněny pomocí proudového chrániče (GFCI - Ground Fault Circuit Interrupter). Proudový chránič není součástí dodávky, ale poskytneme vám o něm všechny nezbytné informace. Proudový chránič je vyžadován zákonem.

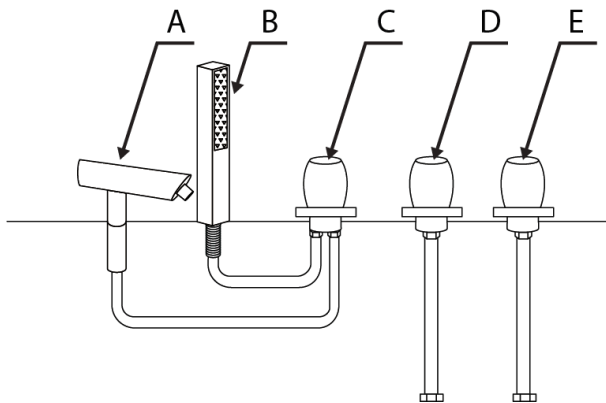


Plán výstupu

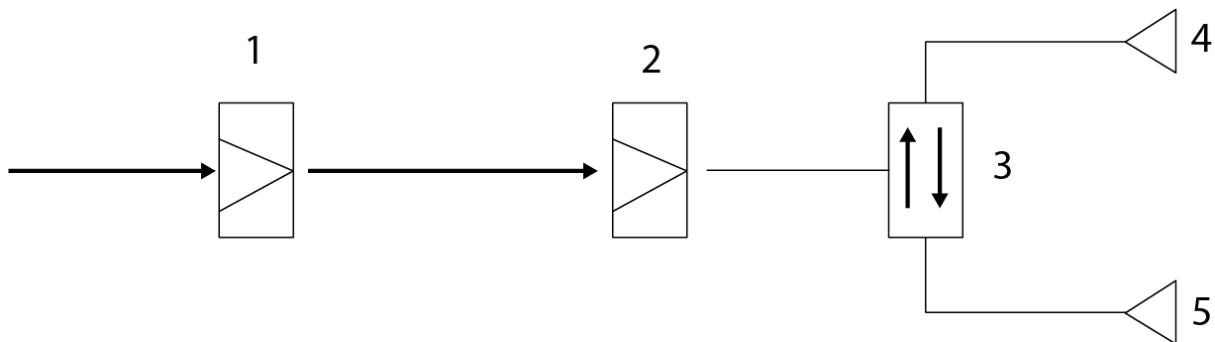
1. Elektrická zásuvka
2. Teplá voda
3. Studená voda
4. Odtokový otvor

Plán připojení

- A. Vodovodní baterie
- B. Ruční sprcha
- C. Přepínání mezi ruční sprchou a baterií
- D. Přívod teplé vody
- E. Přívod studené vody

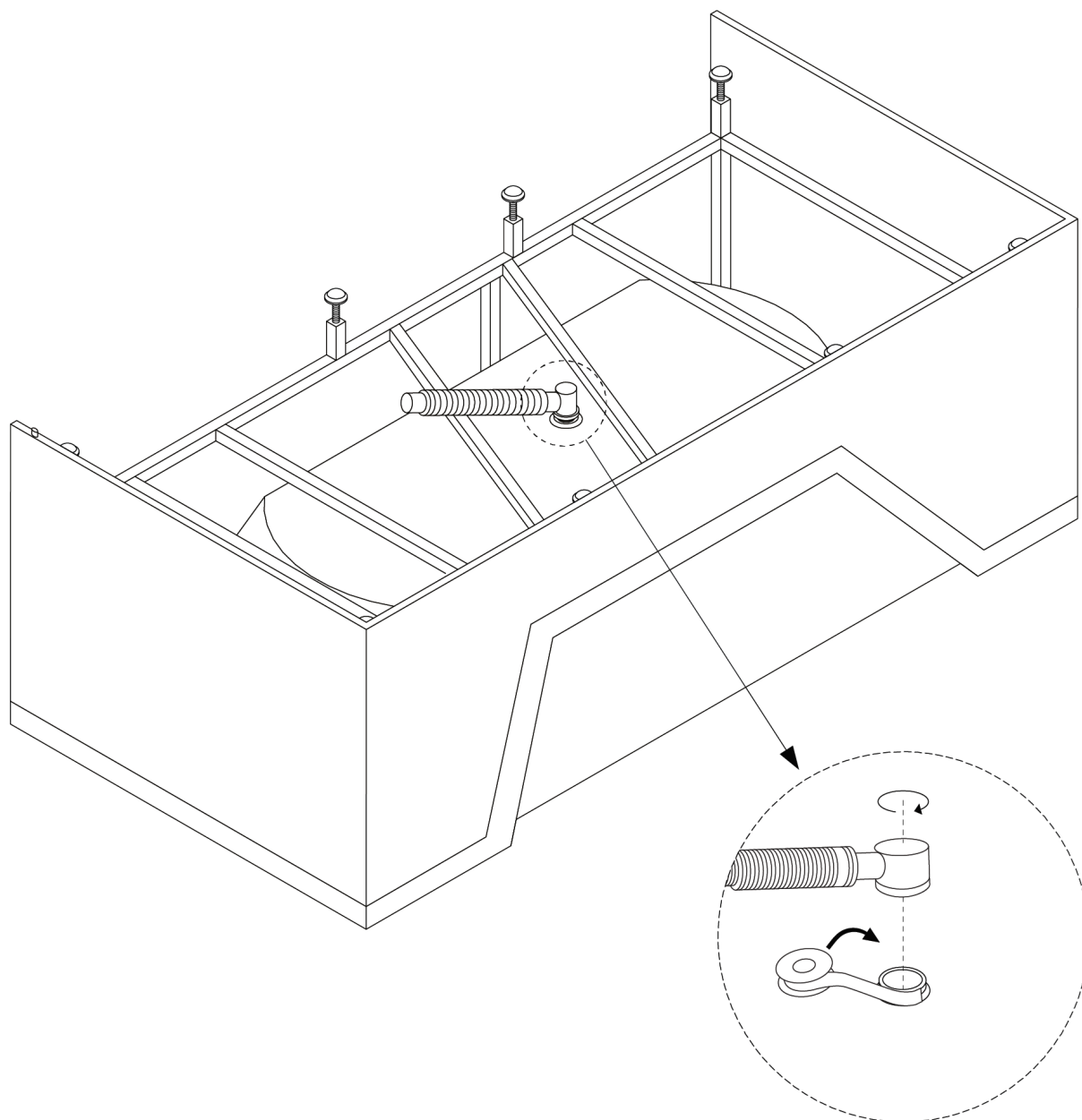


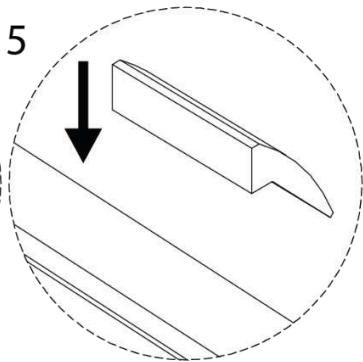
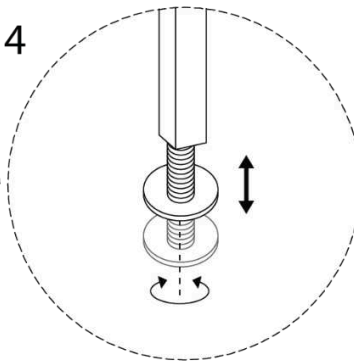
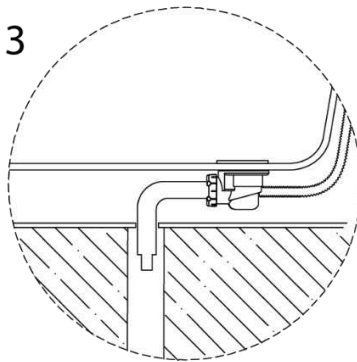
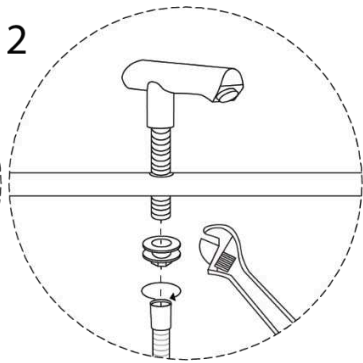
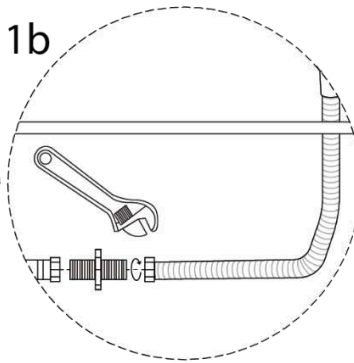
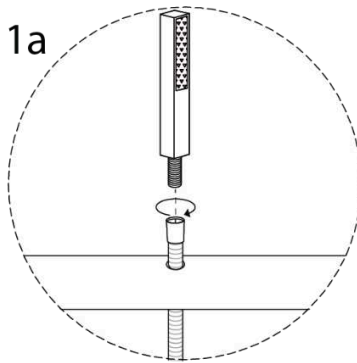
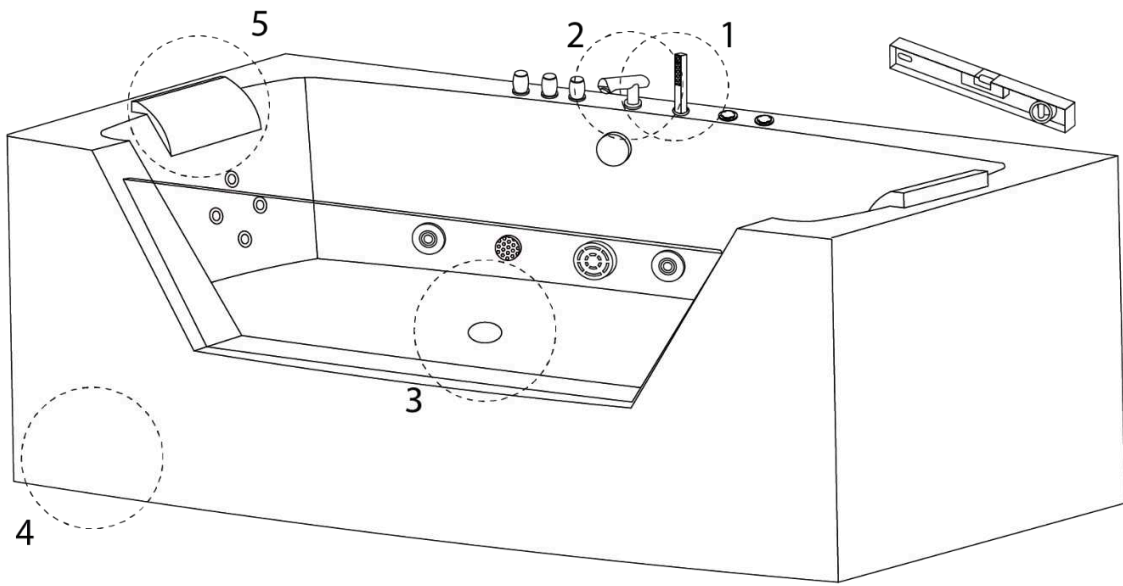
Zásobování vodou

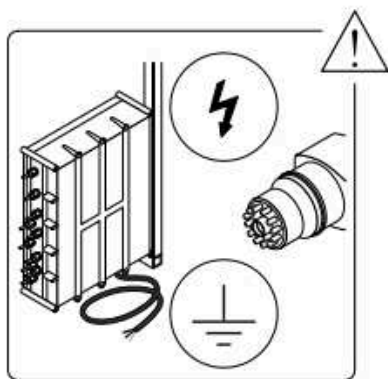
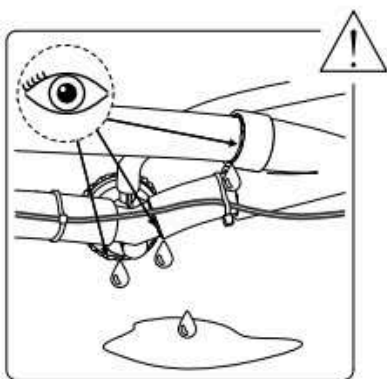
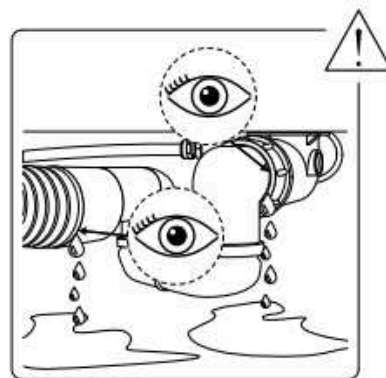
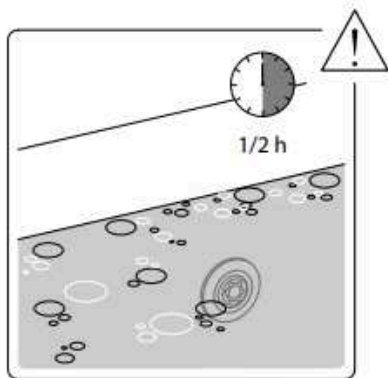
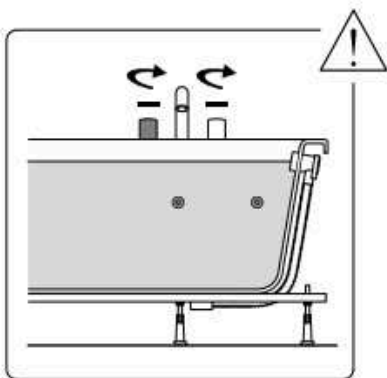
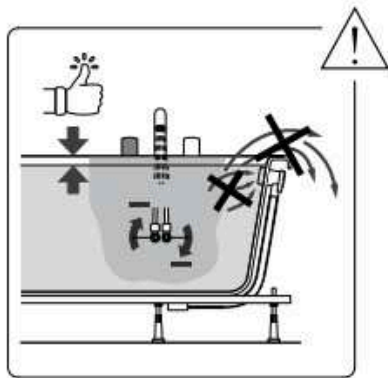
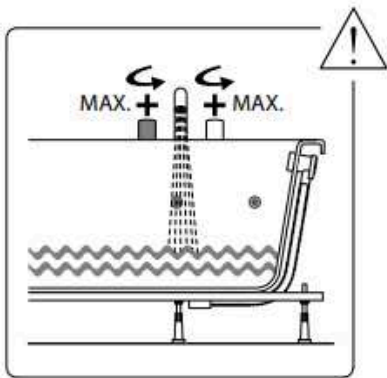
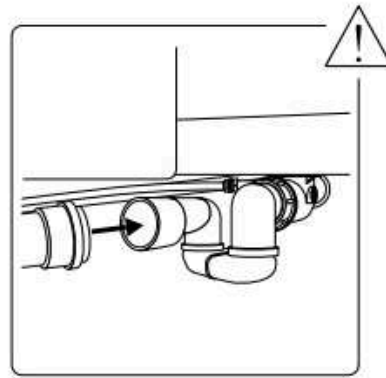
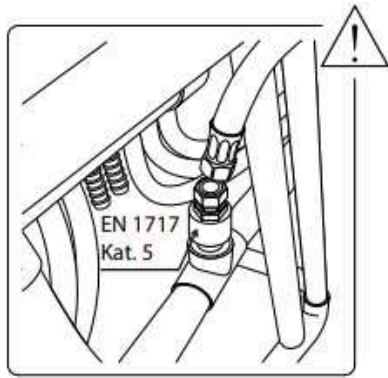
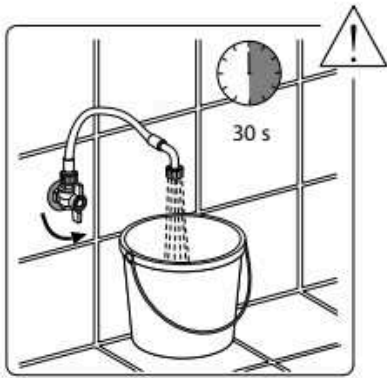


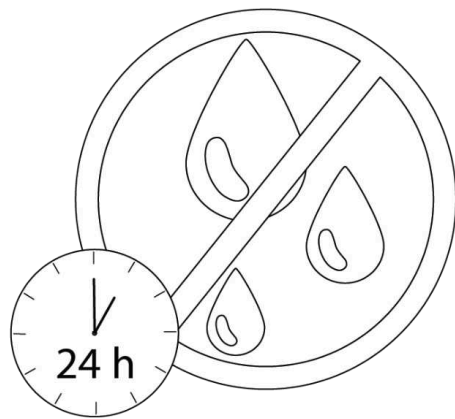
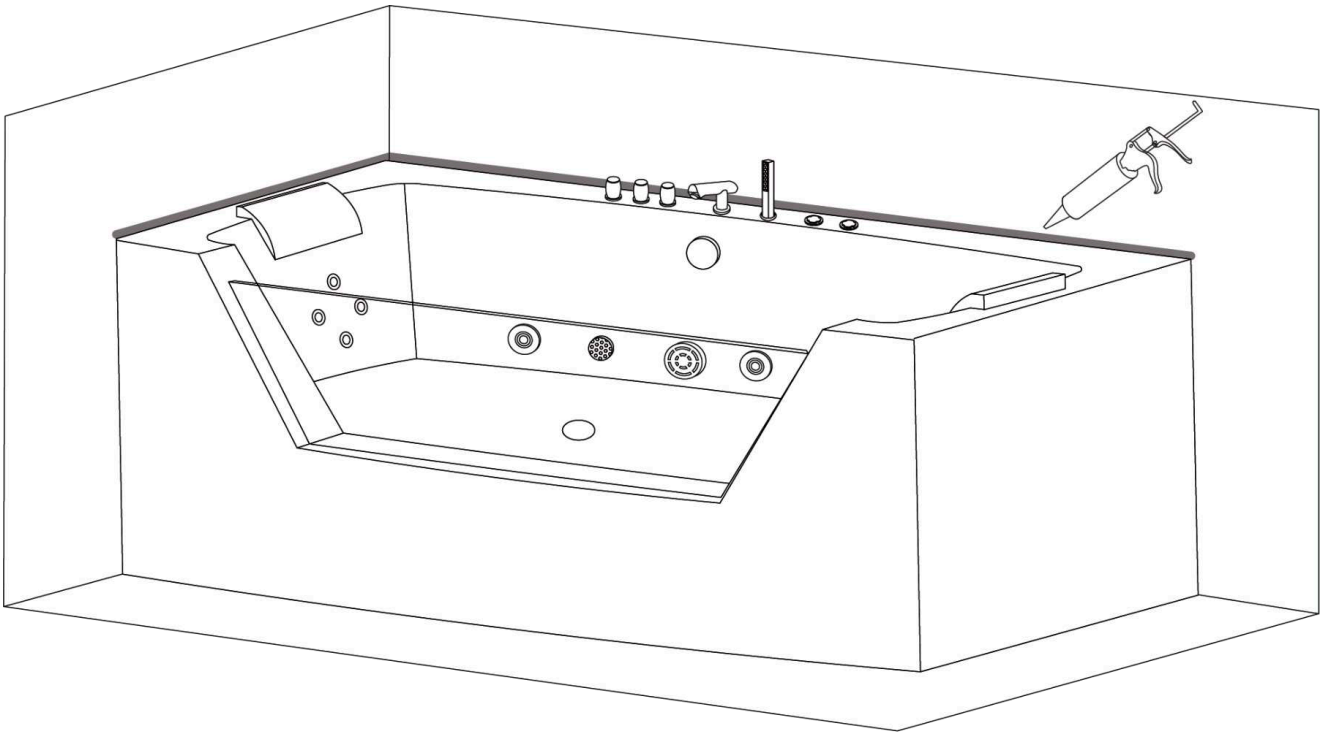
1. Studená voda

2. Teplá voda
3. Přepínání mezi ruční sprchou a baterií
4. Ruční sprcha
5. Vodovodní baterie









Pokyny k obsluze našich produktů

1. Zapněte napájení.
2. Zapněte bojler na studenou a teplou vodu a nastavte teplotu.
3. Pomocí ovladače napustte vanu vodou buď z vodovodního kohoutku nebo ruční sprchy.
4. Neaktivujte vodní čerpadlo, dokud vodní hladina nedosáhne trysek.
5. Pomocí regulátoru vzduchu nastavte intenzitu masáže.
6. Otáčením ruční sprchové hlavice upravte efekty masáže.
7. Světlo se automaticky zapne a mění barvy při zapnutí vodního čerpadla. Světlo se vypne při vypnutí vodního čerpadla.
8. Stiskněte vzduchový spínač k vypnutí čerpadla. Po použití vypustte vodu a nakonec vypněte napájení.

Řešení potíží

Chyba	Možné příčiny	Zkuste toto
Vodní čerpadlo nefunguje	Napájecí zástrčka není správně připojena; ochrana proti úniku vody není připojena	Zapojte napájecí zástrčku a připojte ochranu proti úniku vody
	Kolečko vodního čerpadla je zablokováno něčím malým	Vyčistěte kolečko vodního čerpadla
	Vodní čerpadlo je vypnuté	Zapněte vodní čerpadlo
	Napájecí kabel nebyl správně zasunut	Správně zasuňte napájecí kabel
	Rozbité vodní čerpadlo	Opravte nebo vyměňte vodní čerpadlo
Masážní trysky se nezapínají	Problém s napětím	Zkontrolujte napětí
	Tlačítko zapnuto/vypnuto není zapnuté nebo nefunguje	Zkontrolujte vypínač nebo ho vyměňte
	Blokování oběhu vody	Vyčistěte vodní potrubí
Vana není vodorovně	Nastavitelné nohy nejsou správně nastaveny	Nastavte nohy
Přetečení vody	Přepadový odtok je vadný	Vyměňte přepadový odtok

	Matice jsou uvolněné	Utáhněte matice
	Spojovací díly nejsou správně připevněny	Zkontrolujte přilnavost spojovacích dílů

Čištění

1. K čištění používejte měkký hadřík a vyhněte se používání silných čisticích prostředků obsahujících aceton nebo amoniak. Je přísně zakázáno dezinfikovat pomocí kyseliny mravenčí nebo formaldehydu.
2. Pokud na povrchu vznikne škrábanec, použijte k jeho jemnému vyleštění mokřý brusný papír s hrubostí 2 000. Poté pokračujte v dalším leštění pomocí zubní pasty a měkkého hadříku.
3. Usazeniny vodního kamene lze odstranit pomocí octa nebo citronové šťávy.
4. Pokud je blokován oběh vody, odšroubujte trysky a potrubí a vyčistěte je.
5. Časté čištění není nutné u pozlacených nebo postříbřených součástí.
6. Nebijte do vany tvrdými předměty. Dále se vyvarujte přímého kontaktu vany s horkými předměty, které přesahují teplotu 70 °C (např. cigarety). Nepoužívejte čisticí prostředky obsahující bělidlo.
7. Po použití vypustte vodu a odpojte napájecí kabel ze zásuvky.
8. Čištění vodního masážního systému: Napustte vanu vodou o teplotě 40 °C a přidejte 2 g čisticího prostředku na litr vody. Nechte masážní systém běžet 5 minut. Poté jej zastavte a vypustte vodu. Napustte vanu znovu studenou vodou a aktivujte masážní systém na 3 minuty. Nyní můžete opět vypustit vodu a vaše masážní trysky jsou vyčištěny.

Bezpečnostní opatření

1. Instalaci by měl provádět kvalifikovaný instalatér. Prosím, postupujte podle instrukcí uvedených v návodu.
2. Používejte vhodné hadice pořízené u místních dodavatelů a nechte je připojit odborníkem. V žádném případě nepoužívejte žádné připojovací hadice dodané prodejcem.
3. Všechny hadice musí být před použitím výrobku zkontrolovány a utěsněny odborníkem a dále by měly být pravidelně kontrolovány. Hadice se mohou během přepravy nebo v průběhu času rozpojit.
4. Při instalaci výrobku zákazník musí zajistit, aby přední panel byl kdykoli snadno přístupný pro účely údržby a v případě potřeby výměny dílů.

5. Elektrické komponenty by měly splňovat národní bezpečnostní normy. Pro napájení nainstalujte chránič proti zemnímu proudu.
6. Nepouštějte příliš horkou vodu a aktivujte trysky pouze tehdy, když je hladina vody nad nimi.
7. Zařízení pracuje při nominálním napětí 230 V. Po použití odpojte napájení.
8. Doporučuje se nepobývat ve vaně déle než 30 minut.
9. Občas restartujte zařízení.
10. Pokud je napájecí kabel poškozen, musí být okamžitě vyměněn.
11. Přečtěte si pečlivě návod k použití, abyste se vyhnuli nehodám a jiným škodám.
12. Vanu nebo vířivou vanu pravidelně čistěte a udržujte podle pokynů výrobce, abyste zabránili usazování nečistot a vzniku bakterií a plísní.
13. V případě závady je zákazník zodpovědný za odstranění vadného dílu a jeho opětovnou montáž.

Obecné informace o funkčnosti a použití

Po každé koupeli vypustte vodu. Nikdy nenechávejte děti bez dozoru ve vaně.

Pokyny pro péči o vířivou vanu

Povrch je snadno čistitelný a udržovatelný. Hladký povrch téměř nezachycuje nečistoty. Pravidelná údržba: houbička, měkký hadřík, antistatický čistící prostředek. Tímto způsobem si vana zachová svůj lesk a stane se odolnou vůči nečistotám. Vyhněte se používání abrazivních nebo čistících prostředků na bázi rozpouštědel, které by mohly poškodit povrch vany. Pro odstranění zaschlých nečistot použijte tekutý domácí čistič, například tekutý prostředek na mytí nádobí nebo mýdlový roztok (dodržujte pokyny k ředění). Skvrny od vodního kamene lze odstranit pomocí odstraňovače vodního kamene. Vždy důkladně opláchněte čistou vodou a vyleštěte hadříkem. Nepoužívejte kyselé čistící prostředky ani čistící prostředky na bázi octa.

Poškození

Poškrábané povrchy by měl opravit odborník. Ošetřete je leštící pastou bez rozpouštědel. Pokud je to nutné, povrch může být nejprve ošetřen mokrým brusným papírem (hrubost 800, následně hrubost 1200) před leštěním. Nepoužívejte žádná rozpouštědla na bázi alkoholu nebo acetonu. Poškození způsobená nesprávným zacházením uživatele nejsou kryta naší zárukou.



Pozor! Mokrý povrch zvyšuje riziko uklouznutí. Toto platí zejména při používání mýdel, šamponů, olejů do koupele apod.

Změna vyhrazena

Beliani si vyhrazuje právo na změny nebo úpravy výrobku bez předchozího oznámení.

Dovozce:

Beliani GmbH, Haldenstrasse 5, 6340 Baar, Švýcarsko

Prohlášení o vlastnostech

1. Unikátní identifikátor produktu: Číslo produktu ve spodní části stránky
2. Určené použití: Vířivé vany pro domácí použití k osobní hygieně (PH)
3. Dovozce:
Beliani GmbH
Haldenstrasse 5
6340 Baar
Švýcarsko
Telefon: +41 43 5082233
4. Oprávněný zástupce: %
5. Systém hodnocení a ověřování stálosti výkonu: Systém 4
 - a. Harmonizovaná norma: EN 12764:2015
Oznámený subjekt: %
 - b. Evropský dokument pro posuzování: %
Evropské technické posouzení: %
Orgán pro technické posuzování: %
Oznámený subjekt: %
6. Deklarované výkony:
Základní vlastnosti Výkonnost Harmonizovaná technická specifikace
Bezpečnost proti
Zamotání vlasů (HE) Splněno EN 12764:2004+A1:2008
Čistitelnost (CA) Splněno EN 12764:2004+A1:2008
Odolnost (DA) Splněno EN 12764:2004+A1:2008
7. Příslušná technická dokumentace nebo specifická technická dokumentace:
Zpráva č.: 50074404 001 TÜV Rheinland

Výkon uvedeného výrobku odpovídá deklarovaným vlastnostem.

Výše uvedený dovozce je plně odpovědný za vypracování prohlášení o výkonu v souladu s nařízením (EU) č. 305/2011.

Příloha

Článek číslo	Název článku	Výkon
1213 MONTEGO	Vana s masážní funkcí	HE + CA + DA
1218 SAMANA	Vana s masážní funkcí	HE + CA + DA
1219 MARTINICA	Vana s masážní funkcí	HE + CA + DA
15497 TOCOA	Vana s masážní funkcí	HE + CA + DA
13720 SALAMANCA	Vana s masážní funkcí	HE + CA + DA
14894 MONTEGO	Vana s masážní funkcí	HE + CA + DA
1216 PARADISO	Vana s masážní funkcí	HE + CA + DA
1217 PARADISO	Vana s masážní funkcí	HE + CA + DA
1223 VARADERO	Vana s masážní funkcí	HE + CA + DA
14892 PARADISO	Vana s masážní funkcí	HE + CA + DA

Za dovozce a jménem výrobce podepsal:

Michael Widmer, výkonný ředitel



6340 Baar, 13.05.2020

Dansk (DK)

Badekar Montagevejledning

Producent og importør:

Beliani GmbH, Haldenstrasse 5, 6340 Baar, Schweiz



Brugsanvisning

Disse brugsanvisninger skal læses grundigt inden installationen.

Inspektion af varerne ved levering

Ved modtagelsen skal du kontrollere produktet for fuldstændighed og eventuelle skader. Hvis der er synlige skader, skal du informere sælgeren med det samme. Vi er ikke ansvarlige for skader, der opstår under eller efter installationen.

Løft/flytning af badekarret

For at løfte eller flytte badekarret skal du gribe det i kanterne - aldrig i slangerne eller installationsdele.

Pålægning af rør

Rør må ikke lægges under badekarret.

Beskyttelse mod skader

Brug egnede beskyttelsesovertræk for at forhindre skader på overflader og blokeringer forårsaget af snavs eller støv under monteringsprocessen. Inden installationen påbegyndes, skal følsomme komponenter som afløb, dyser og kontrolpanelet midlertidigt tildækkes med beskyttelsesovertræk.

Særlig forsigtighed

Ved rengøring af fliserne skal du sikre, at ammoniak eller andre aggressive rengøringsmidler ikke kommer i kontakt med de indbyggede komponenter.

Elektrisk tilslutning (230 V)

Denne opgave bør kun udføres af en kvalificeret elektriker. Sørg for beskyttelse gennem en fejlstrømsafbryder (30 mA).

Sikkerhedsregler

Under installationen af badekarret er der flere simple trin at overveje for at forebygge potentielle ulykker. Installationen bør kun udføres af kvalificerede teknikere. Badekarret skal tilsluttes en spænding på 230 V AC ved 50 Hz. Enheden skal forsynes gennem en fejlstrømsafbryder med en nominel fejlstrøm på højst 30 mA. Derudover skal den elektriske installation være udstyret med en sikringsafbryder for at sikre afbrydelse af alle poler fra strømforsyningen.

Der skal etableres en spændingsudligningsforbindelse mellem badekarrets metalelementer i henhold til de relevante regler i hvert land. Dele med spændingsførende komponenter, bortset fra dem, der fungerer ved en beskyttende ekstra lav spænding, der ikke overstiger 12 V, skal være utilgængelige for personen i badekarret. Elektriske komponenter skal placeres eller fastgøres på en måde, der forhindrer dem i at falde ned i badekarret.



Vandtilslutninger til vandmassage eller overløb

Så snart vandindtaget er under karrets kant, skal der etableres en forbindelse med en sikkerhedsanordning i overensstemmelse med EN 1717 (væskekategori 5). Dette kan f.eks. indebære anvendelse af en DC-sikkerhedsanordning (f.eks. en type 1-rørafbryder med en permanent forbindelse til atmosfæren) baseret på de specifikke installationskrav. Denne tilslutning skal udelukkende udføres af en kvalificeret specialist. Disse retningslinjer gælder for følgende scenarier:

- A. Alle badekar, der fyldes gennem overløbet.
- B. Alle badekar, der tilsluttes og fyldes gennem vandmassagens dyser i det eksisterende T-stykke.

I begge tilfælde skal forbindelsen udføres ved hjælp af forstærket elastisk slange, der kan transportere forblandet varmt og koldt vand.

Gennemstrømningshastighed: Maksimalt 20 liter/minut (EN 200)

Kapacitet for overløb: Minimum 36 liter/minut (EN 274)

Dræningskapacitet: Minimum 48 liter/minut (EN 274)

Permanent installation

Vedligeholdelsesluger skal have dimensioner på mindst 50 x 50 cm, hvilket sikrer tilgængelighed til tekniske komponenter som pumpe, blæser, ventiler, tilslutningsboks og andre tilslutninger. Anvend helst aftagelige sidepaneler, men prioritér altid faste elementer.

Derudover anbefales det at installere 20 x 20 cm vedligeholdelsesluger til afløb/overløb for at sikre ordentlig støjisolering under installationen.

For at sikre korrekt ventilation er det absolut nødvendigt at montere en ventilationsrist (medfølger ikke). Afhængigt af badekarmodellen placeres ventilationsristen i væggen i nærheden af enhederne. Inde i lemmen kan der monteres en ventilationsrist (minimum 150 cm) til at tilføre luft til blæseren. Alternativt kan man overveje at placere en vedligeholdelseslem/ventilationsrist i det nærliggende rum.

For at optimere lydisoleringen skal ventilationsristen monteres med lydisolerende materialer. Det er også acceptabelt at placere ventilationsgitteret i det nærliggende rum, hvis det er egnet.

Når pladsen er begrænset: Hvis der ikke er tilstrækkelig plads til en vedligeholdelsesluge, anbefales "overflademontering" for at gøre det muligt at adskille badekarret fuldstændigt, når det er nødvendigt. Sørg for, at afløbsrøret, de elektriske tilslutninger og evt. vandforsyningsledningen kan frakobles gennem ventilationsåbningen. Forsegel hele kanten af badekarret med silikone (syrefri).

Badekarret skal placeres på en overflade, der kan bære vandet (f.eks. fliser) og med en lille hældning udad, så vandet i tilfælde af en eventuel lækage eller vandspild kommer ud under fodlisten/soklen og ikke akkumulerer under badekarret. Garantien dækker ikke vandskader forårsaget af dårlig installation. Det anbefales ikke at omslutte badekarret helt med fliser. Vandpumpen, luftpumpen og ozondesinfektionen kræver luftcirkulation.

Der må ikke hældes vand direkte i bruseholderen under brug. Garantien dækker ikke vandskader forårsaget af forkert brug.

De indvendige komponenter i badet skal være let tilgængelige, ellers dækker garantien ikke adgang til de indvendige komponenter i tilfælde af fejl.

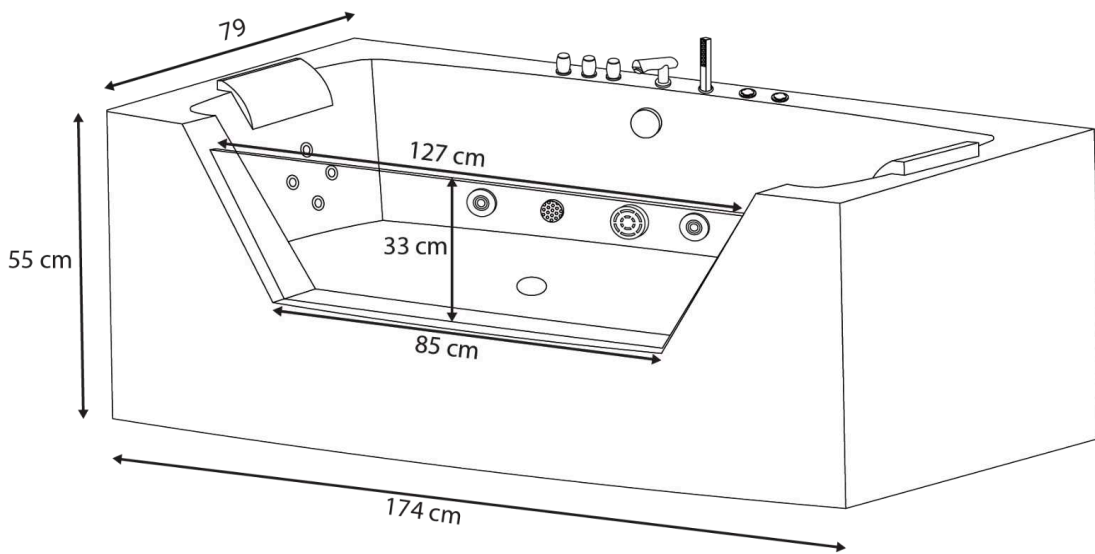
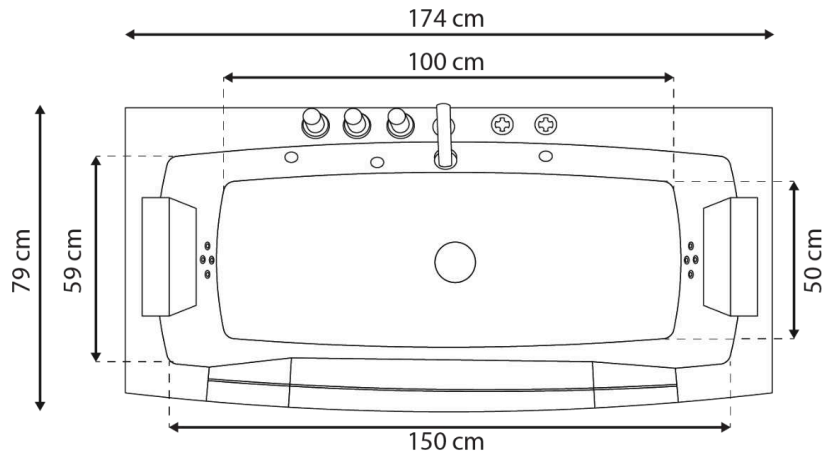
Kontrol af lækage

Efter tilslutning af vandindløb og afløb på badekarret skal det fyldes og kontrolleres for lækager. Kontroller følgende funktioner ved hjælp af kontrolpanelet:

- A. Luftsysteem
- B. Indstillinger for vandpumpe

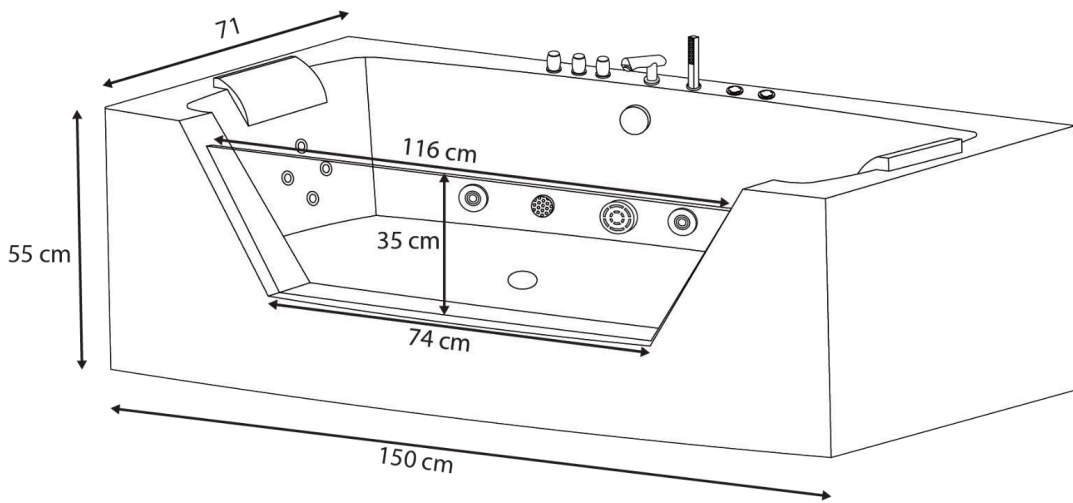
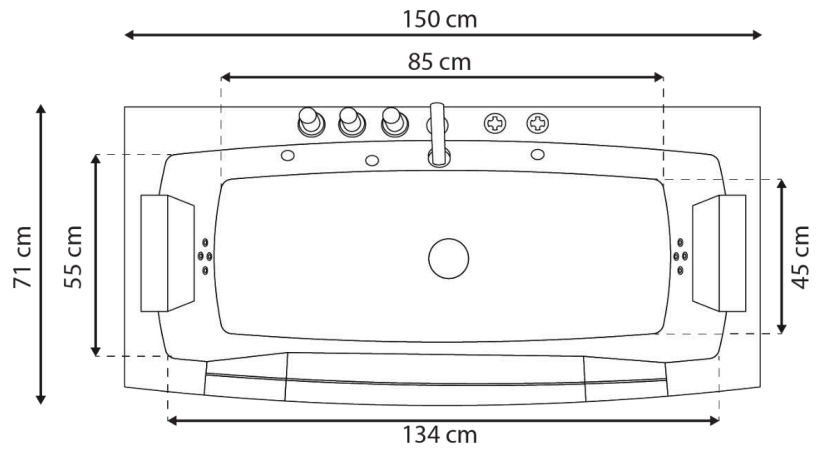
Badevandets temperatur bør ikke overstige 40 °C.

1740*790*550mm



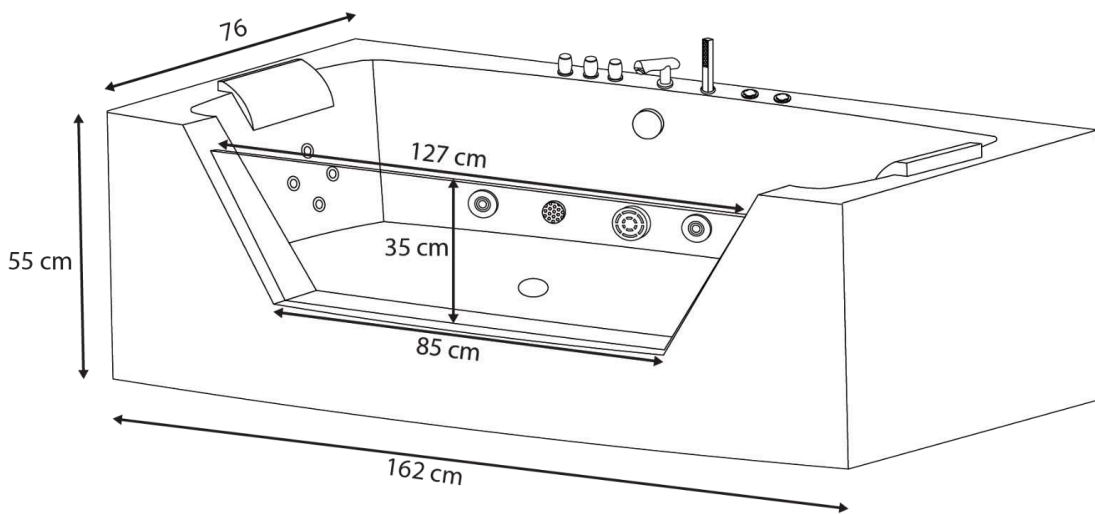
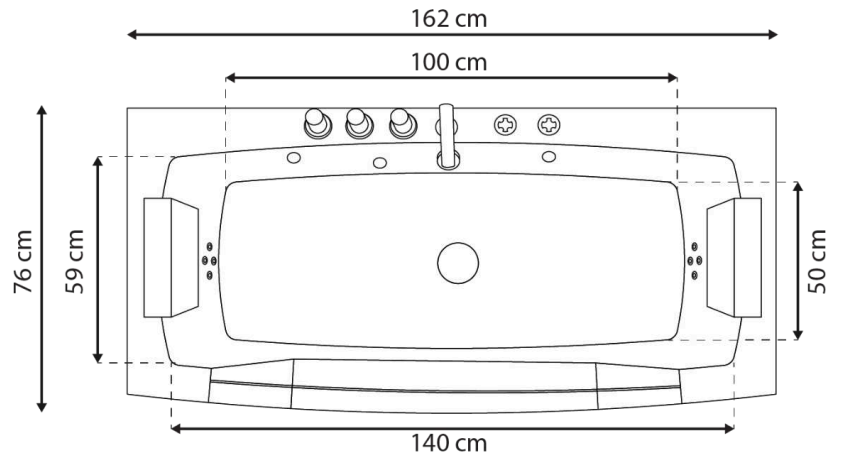
+/- 2 cm

1500*710*550mm



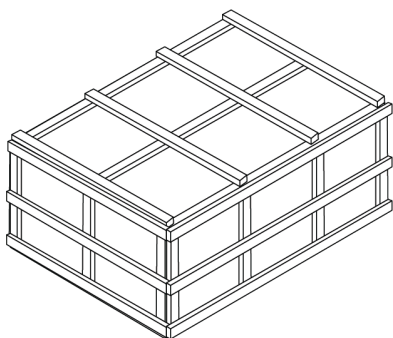
+/- 2 cm

1620*760*550mm

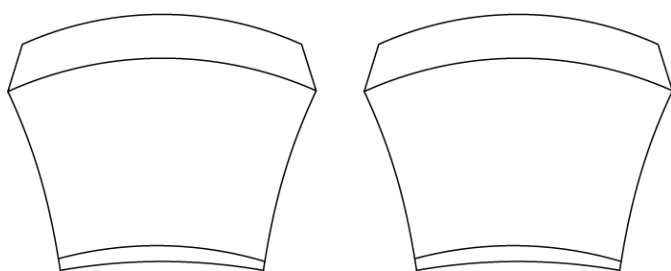


+/- 2 cm

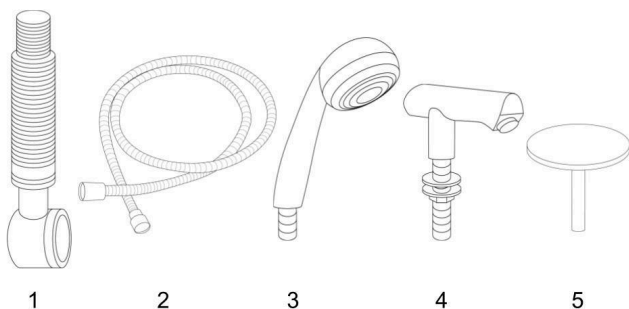
Pakkens indhold



Brug en saks til at åbne emballagen;
Sørg for, at alle dele er inde i pakken.

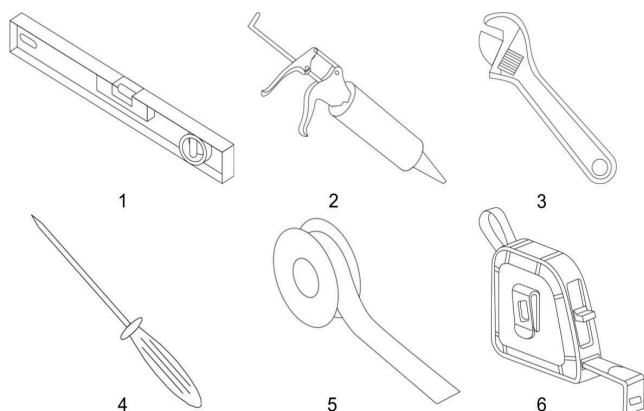


2 x Nakkestøtte



Tilbehørsæske

1. 1x Afløb
2. 1x Håndbruser slange
3. 1x Håndbruser
4. 1x Vandfalds vandindløb
5. 1x Afløbsdæksel

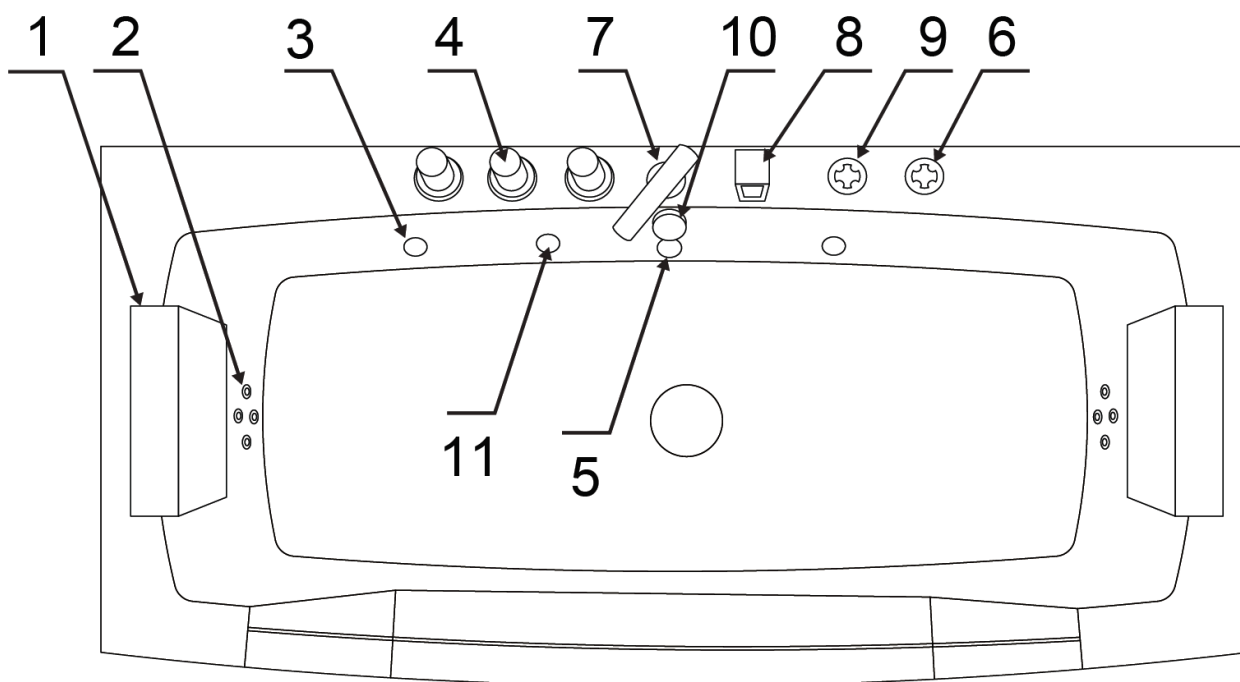


Værktøj nødvendigt til montering

1. Vaterpas
2. Tætningsmiddel
3. Justerbar skruenøgle
4. Skruetrækker
5. PTFE gevindforseglingstape
6. Målebånd

Forberedelse

Konstruktion af badekarret

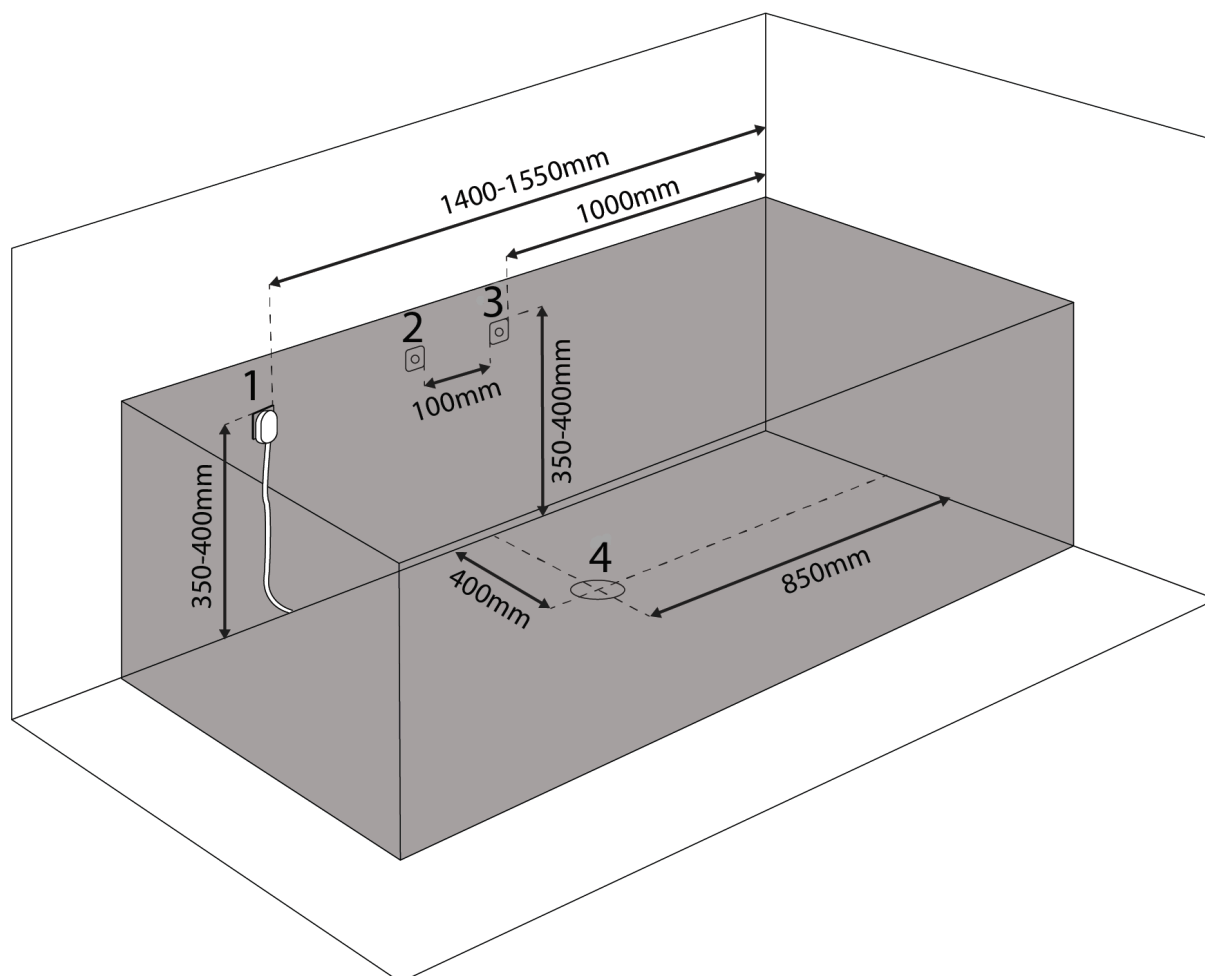


Vare	Beskrivelse	Vare	Beskrivelse
1	Nakkestøtte	2	Små stråler
3	Store stråler	4	Vandhane
5	Sugning	6	Tænd/sluk-knap
7	Tap	8	Håndbruser
9	Regulator	10	Afløbsregulator
11	Undervandslys		

Elektriske parametre

Nominal spænding	Nominal frekvens	Maksimal nominal effekt	Maksimal nominal effekt
230 V	50 Hz	2600 W	11.8 A

1. Må kun udføres af en kvalificeret elektriker. Sørg for beskyttelse gennem en fejlstrømsafbryder (30 mA).
2. Der skal være en elektrisk lækagebeskyttelse i strømforsyningen. Elektriske kabler skal være sikrede. Størrelsen på det elektriske kabel bør ikke være mindre end 2,5 mm². Strømforsyningsudstyret skal være i overensstemmelse med nationale bestemmelser.
3. Advarsel: Når du bruger elektriske apparater, skal du tage følgende sikkerhedsforanstaltninger.
4. Risiko: Risiko for elektrisk stød. Tilslut kredsløb kun, når de er beskyttet af en GFCI (Ground Fault Circuit Interrupter). En GFCI medfølger ikke, men vi vil give dig alle nødvendige oplysninger om det. En GFCI er påkrævet ved lov.

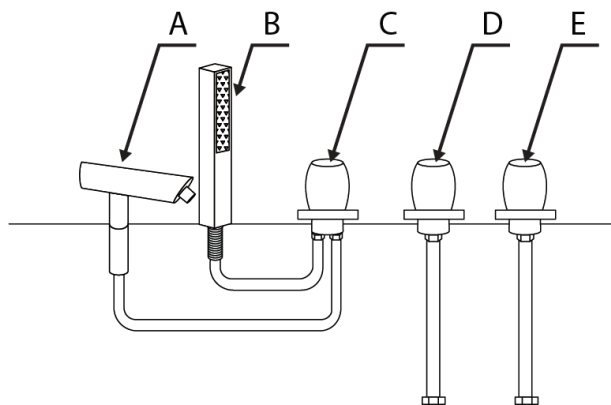


Stikkontaktens plan

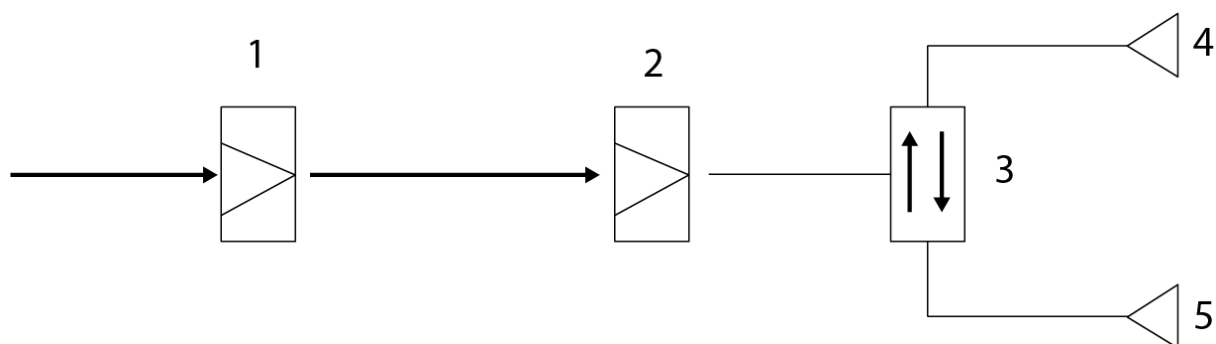
1. El-udtag
2. Varmt vand
3. Koldt vand
4. Afløbshul

Forbindelsesplan

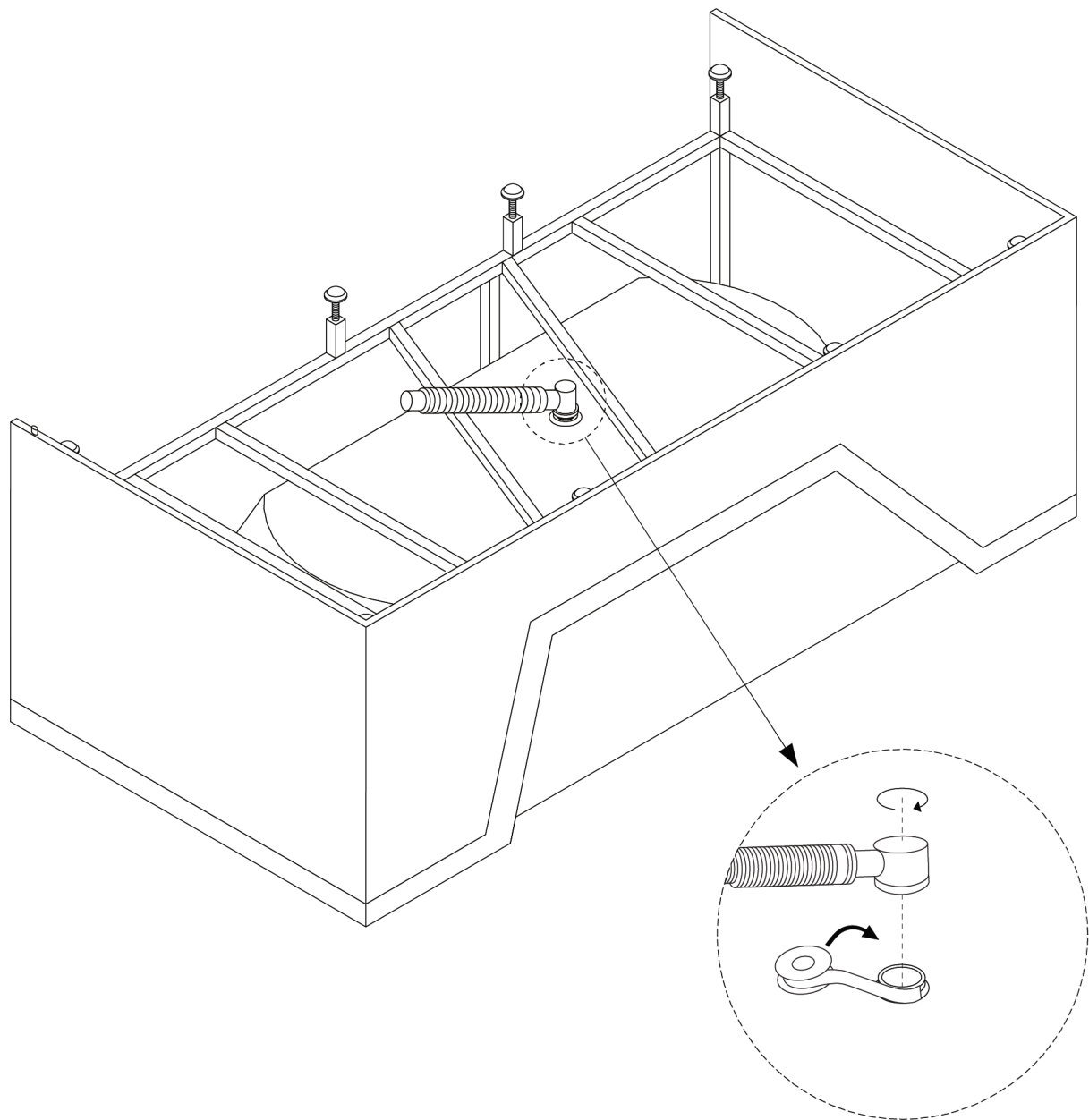
- A. Vandfaldshane
- B. Håndbruser
- C. Skift mellem håndbruser og hane
- D. Varmt vandsindløb
- E. Koldt vandsindløb

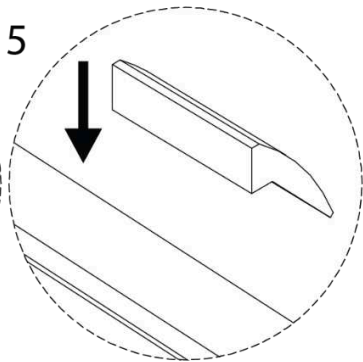
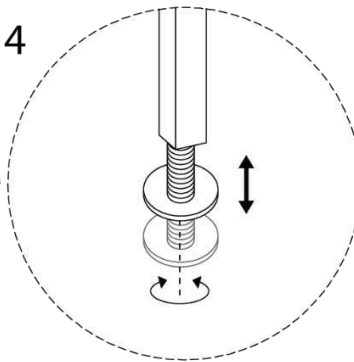
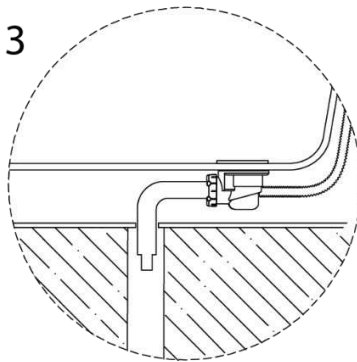
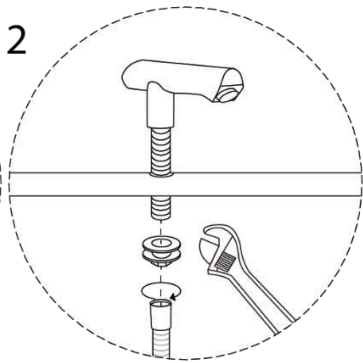
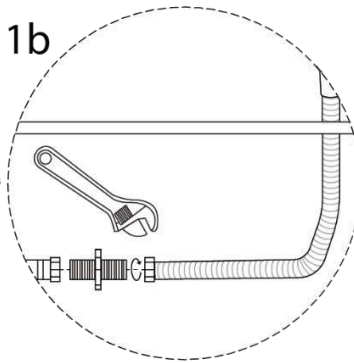
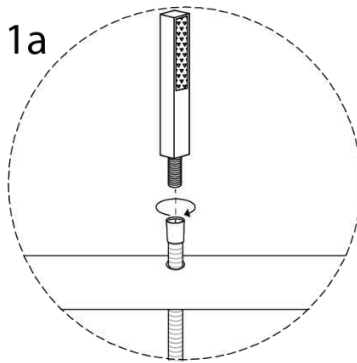
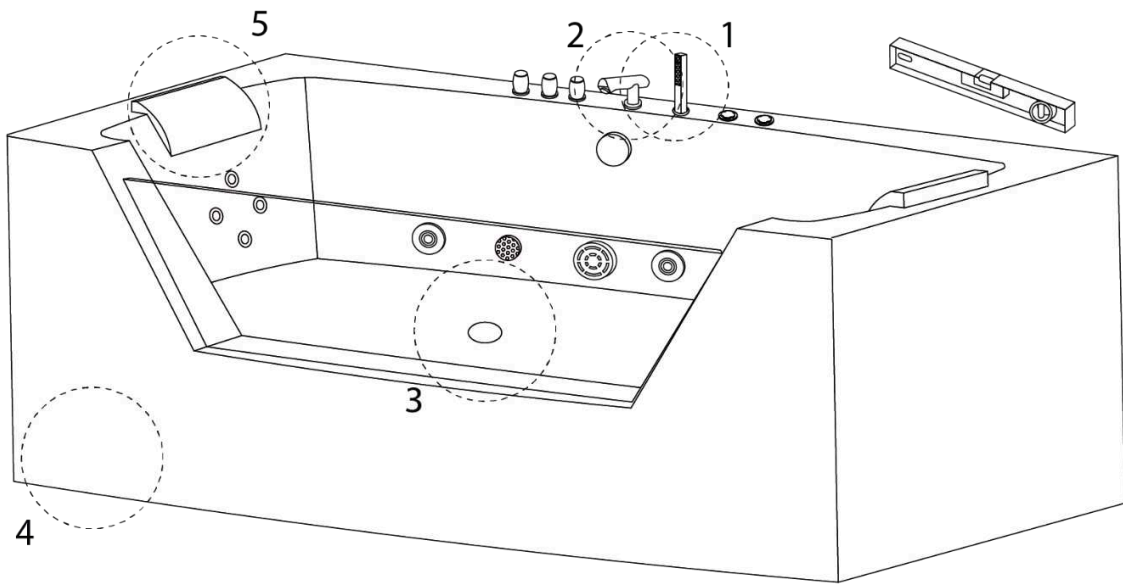


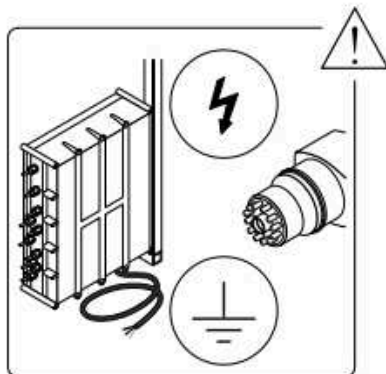
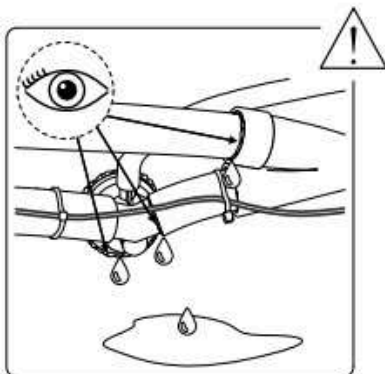
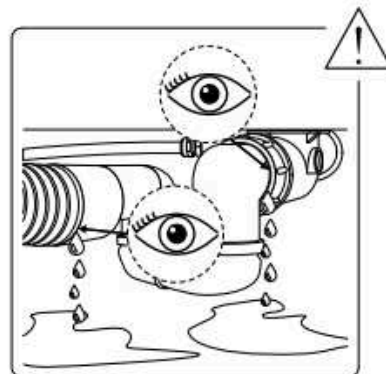
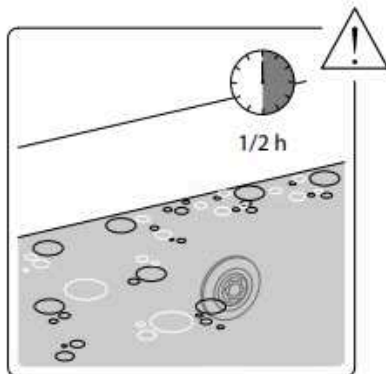
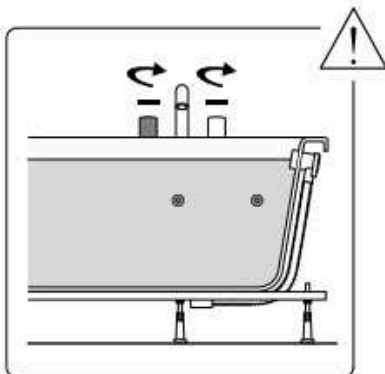
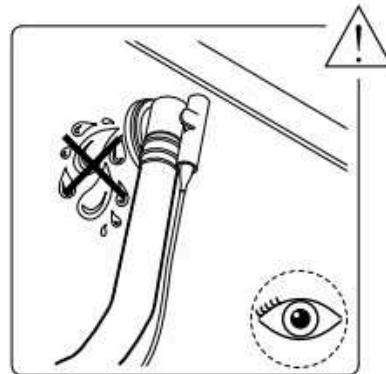
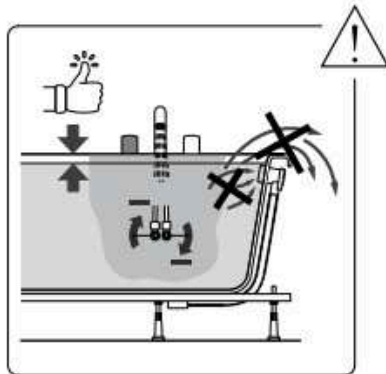
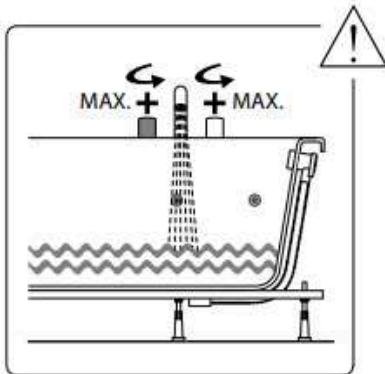
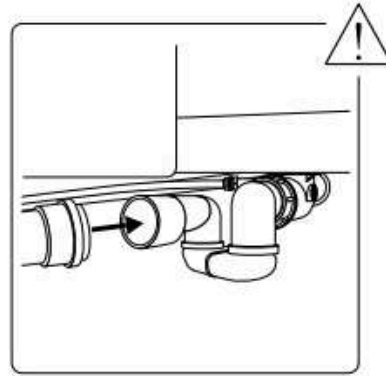
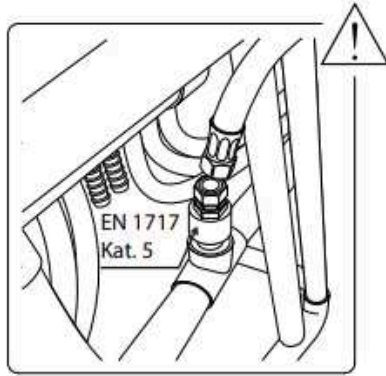
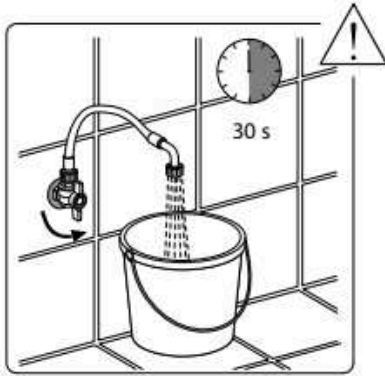
Vandforsyning

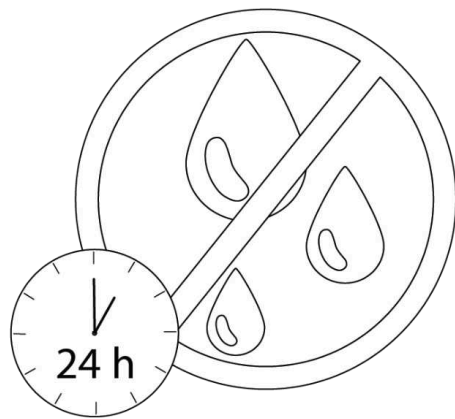
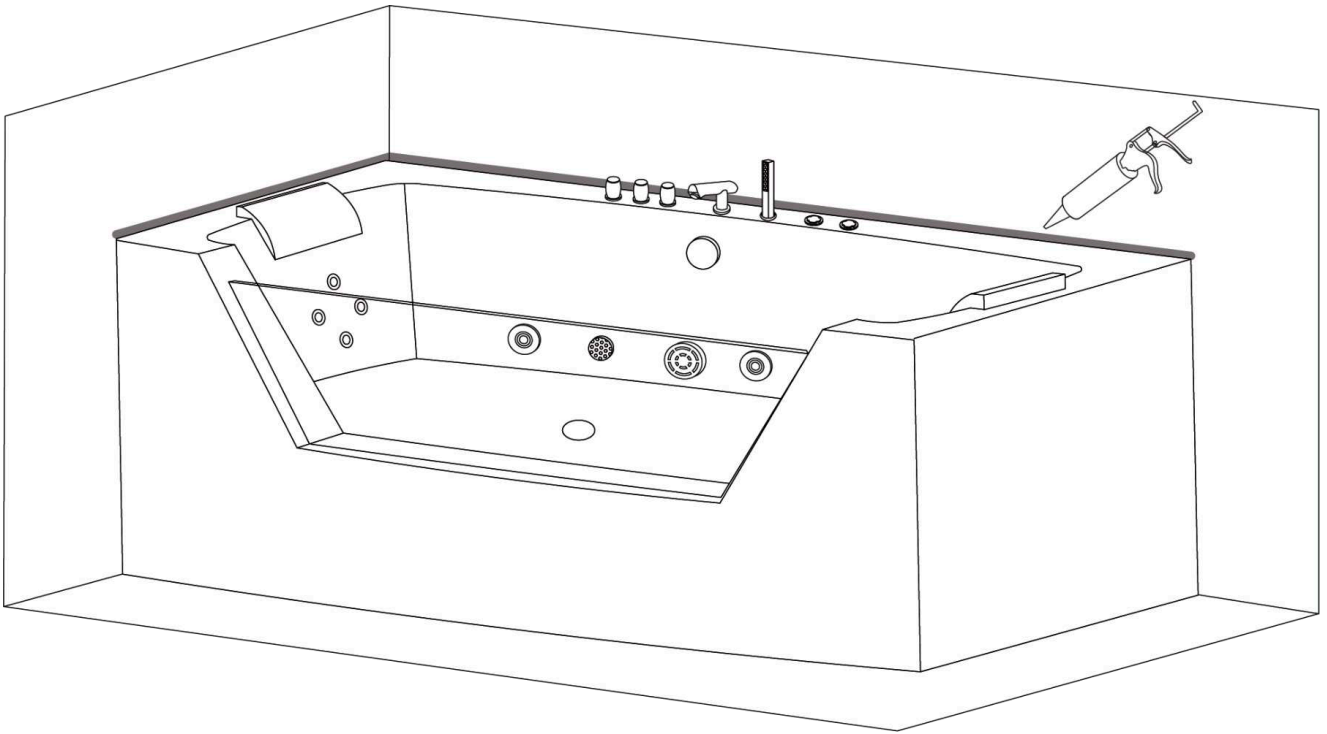


1. Koldt vand
2. Varmt vand
3. Skift mellem håndbruser og vandhane
4. Håndbruser
5. Vandfaldshane









Sådan bruger du vores produkter

1. Tænd for strømmen.
2. Tænd for kold- og varmtvandsbeholderen og justér temperaturen.
3. Brug kontrolpanelet til at fylde badekarret med vand enten fra vandhanen eller det håndholdte brusehoved.
4. Aktivér ikke vandpumpen, før vandstanden når dyserne.
5. Brug luftregulatoren til at justere massagens intensitet.
6. Drej det håndholdte brusehoved for at justere massageeffekten.
7. Lyset tænder automatisk og skifter farver, når du tænder for vandpumpen. Lyset slukker, når du slukker for vandpumpen.
8. Tryk på luftafbryderen for at slukke for pumpen. Tøm vandet efter brug og sluk til sidst for strømmen.

Fejlfinding

Fejl	Mulige årsager	Prøv det her
Vandpumpen virker ikke	Strømskikket er ikke korrekt tilsluttet; lækagebeskyttelsen er ikke tilsluttet	Sæt strømskikket i, og tilslut lækagebeskytteren
	Vandpumpens pumpehjul er blokeret af noget småt	Rengør vandpumpens pumpehjul
	Vandpumpen er slukket	Tænd for vandpumpen
	Strømskikket er ikke korrekt isat	Tilslut strømforsyningen korrekt
	Defekt vandpumpe	Reparer eller udskift vandpumpen
Massagedyser starter ikke	Spændingsproblem	Kontroller spændingen
	Tænd/sluk-knappen er ikke tændt eller fungerer ikke	Kontroller knappen eller udskift den
	Vandcirkulationen er blokeret	Rengør vandrørene
Badekarret er ikke vandret	Justerbare fødder er ikke korrekt indstillet	Juster fødderne
Vandoverløb	Overløbsafløbet er defekt	Udskift overløbsafløbet

	Skruer er løse	Spænd skruerne
	Forbindelsesdele er ikke korrekt monteret	Kontroller klæbemidlet på forbindelsesdelene

Rengøring

1. Brug en blød klud til rengøring, og undgå at bruge stærke rengøringsmidler, der indeholder acetone eller ammoniak. Det er strengt forbudt at desinficere med myresyre eller formaldehyd.
2. Hvis der er en ridse på overfladen, skal du bruge vådslibepapir med en kornstørrelse på 2000 til forsigtigt at polere det. Bagefter kan du polere den yderligere med tandpasta og en blød klud.
3. Kalkaflejring kan fjernes ved brug af eddike eller citronsaft.
4. Hvis vandcirkulationen er blokeret, skal du skrue dyser og rør af og rense dem.
5. Hyppig rengøring er ikke nødvendig for guldbelagte og sølvbelagte dele.
6. Undlad at slå badekarret med hårde genstande. Undgå også direkte kontakt mellem badekarret og varme genstande, der overstiger en temperatur på 70 °C (f.eks. cigaretter). Rengør ikke badekarret med kemiske stoffer, der indeholder blegemiddel.
7. Tøm vandet og tag stikket ud af stikkontakten efter brug.
8. Rengøring af vandmassagesystemet: Fyld badekarret med 40 °C varmt vand, og tilsæt 2 g rengøringsmiddel pr. liter. Lad massagesystemet køre i 5 minutter. Stop det bagefter, og lad vandet løbe ud. Fyld badekarret med koldt vand, og aktiver massagesystemet i 3 minutter. Nu kan du tømme vandet ud igen, og dine massagedyser er rengjorte.

Forholdsregler

1. Installationen skal udføres af en kvalificeret VVS-installatør. Følg venligst instruktionerne i vejledningen.
2. Passende slanger skal anskaffes fra lokale forhandlere og tilsluttes af en specialist. Der må under ingen omstændigheder bruges tilslutningsslanger, som sælgeren har leveret.
3. Alle slanger bør kontrolleres og forsegles af en specialist, før produktet tages i brug og med jævne mellemrum. Slangere kan blive løsnet under transport eller over tid.
4. Ved installation af produktet skal kunden sørge for, at frontpanelet altid er let tilgængeligt af hensyn til vedligeholdelse og i tilfælde af, at dele skal udskiftes.
5. De elektriske komponenter skal overholde de nationale sikkerhedsstandarder. Installer en jordfejlsafbryder til strømforsyningen.
6. Kør ikke med overophedet vand, og aktiver kun dyserne, når vandstanden er over dem.

7. Enheden opererer ved en nominel spænding på 230V. Afbryd strømforsyningen efter brug.
8. Det anbefales ikke at blive i badekarret i længere tid end 30 minutter.
9. Genstart enheden lejlighedsvis.
10. Hvis strømkablet er beskadiget, skal det straks udskiftes.
11. Læs brugervejledningen omhyggeligt for at undgå ulykker og andre skader.
12. Rengør og vedligehold badekarret eller boblebadet regelmæssigt i henhold til producentens anvisninger for at forhindre ophobning af snavs, bakterier og skimmelvækst.
13. I tilfælde af en defekt er kunden ansvarlig for at fjerne den defekte del og samle den igen.

Generel information om funktionalitet og brug

Dræn badekarret for vand efter hvert bad. Efterlad aldrig børn uden opsyn i badekarret.

Instruktioner til vedligeholdelse af boblebad

Overfladen er nem at rengøre og vedligeholde. Den glatte overflade tiltrækker næsten ikke snavs. Regelmæssig vedligeholdelse: svamp, blød klud, lidt antistatisk rengøringsmiddel. På den måde bevarer badekarret sin glans og bliver smudsafvisende. Undgå at bruge slibende eller opløsningsmiddelbaserede rengøringsmidler, der kan beskadige karrets overflade. Til fastsiddende snavs kan du bruge et flydende husholdningsrengøringsmiddel som opvaskemiddel eller sæbeopløsning (følg fortyndingsanvisningerne). Fjern kalkpletter med en kalkfjerner. Skyl altid grundigt med rigeligt rent vand, og polér med en klud. Brug ikke syreholdige rengøringsmidler eller eddikebaserede rengøringsmidler

Skader

Beskadigede overflader bør håndteres af en professionel. Behandl med en polerpasta uden opløsningsmidler. Hvis det er nødvendigt, kan overfladen først behandles med vådslibepapir (nr. 800, efterfulgt af nr. 1200) inden polering. Brug ikke alkohol- eller acetonebaserede opløsningsmidler. Skader forårsaget af forkert brug er ikke dækket af vores garanti.



Forsigtig! Når overfladen er våd, er der øget risiko for at glide. Dette gælder især, når der anvendes sæber, shampoo, badeolier osv.

Ændringer forbeholdes

Beliani forbeholder sig retten til at foretage ændringer eller modificeringer af produktet uden forudgående varsel.

Importør:

Beliani GmbH, Haldenstrasse 5, 6340 Baar, Schweiz

Præstationserklæring

1. Unik identifikator for produkttype: Produktnummer nederst på siden
2. Tiltænkt anvendelse: boblebadekar til personlig hygiejne i hjemmet (PH)
3. Importør:
Beliani GmbH
Haldenstrasse 5
6340 Baar
Schweiz
Telefon +41 43 5082233
4. Bemyndiget repræsentant: %
5. System til vurdering og verifikation af ydeevnens konstans: System 3
6. Erklærede tjenester:
 - a. Væsentlige egenskaber:
Det udpegede produkts overensstemmelse med bestemmelserne i direktiverne er især dokumenteret ved fuld overensstemmelse med følgende harmoniserede standarder:
EN 60335-1:2012/A13:2017
EN 60335-2-60:2003/A12:2010
EN 62233:2008
7. Passende teknisk dokumentation eller specifik teknisk dokumentation:
Rapport nr.: 704011739004-02 TÜV SÜD Product Service

Ydeevnen for ovennævnte produkt svarer til de deklarerede resultater.
Ovennævnte importør er eneansvarlig for at udarbejde præstationserklæringen i overensstemmelse med forordning (EU) nr. 305/2011.

Bilag

Artikelnummer	Artikelnavn	Effektudgang
1213 MONTEGO	Badekar med massagefunktion	HE + CA + DA
1218 SAMANA	Badekar med massagefunktion	HE + CA + DA
1219 MARTINICA	Badekar med massagefunktion	HE + CA + DA
15497 TOCOA	Badekar med massagefunktion	HE + CA + DA
13720 SALAMANCA	Badekar med massagefunktion	HE + CA + DA
14894 MONTEGO	Badekar med massagefunktion	HE + CA + DA
1216 PARADISO	Badekar med massagefunktion	HE + CA + DA
1217 PARADISO	Badekar med massagefunktion	HE + CA + DA
1223 VARADERO	Badekar med massagefunktion	HE + CA + DA
14892 PARADISO	Badekar med massagefunktion	HE + CA + DA

Underskrevet af importøren og på vegne af producenten:
Michael Widmer, Administrerende direktør



6340 Baar, 13.05.2020

Nederlands (NL)

Badkuip Montage-instructies

Fabrikant en importeur:

Beliani GmbH, Haldenstrasse 5, 6340 Baar, Zwitserland



Gebruiksaanwijzing

Deze gebruiksaanwijzing moet zorgvuldig worden doorgelezen voordat u begint met monteren.

Inspectie bij levering

Controleer het product bij ontvangst op volledigheid en eventuele beschadigingen. Indien er schade zichtbaar is, informeer dan direct de verkoper. Wij zijn niet aansprakelijk voor schade die optreedt tijdens of na de installatie.

Optillen/verplaatsen van het bad

Om het bad op te tillen of te verplaatsen, pakt u het bij de randen vast - nooit bij de slangen of installatieonderdelen.

Aanleggen van leidingen

Leidingen mogen niet onder het bad worden gelegd.

Bescherming tegen schade

Gebruik geschikte afdekzeilen om schade aan oppervlakken, en verstoppingen veroorzaakt door vuil of stof tijdens het installatieproces te voorkomen. Bedek voorafgaand aan de installatie/gebruik kwetsbare onderdelen zoals afvoeren, sproeiers en het bedieningspaneel tijdelijk met afdekzeilen.

Speciale voorzorgsmaatregel

Bij het reinigen van de tegels mag ammoniak of een soortgelijk agressief reinigingsmiddel geen contact maken met de ingebouwde onderdelen.

Elektrische aansluiting (230 V)

Deze taak moet uitsluitend worden uitgevoerd door een erkende elektricien. Zorg ervoor dat bescherming wordt geboden door middel van een aardlekschakelaar (30 mA).

Veiligheidsvoorschriften

Bij de installatie van het bad zijn er verschillende eenvoudige stappen om rekening mee te houden voor het voorkomen van potentiële ongelukken. De installatie moet alleen worden uitgevoerd door gekwalificeerde technici. Het bad moet worden aangesloten op een spanning van 230 V AC bij 50 Hz. Het apparaat moet worden gevoed via een aardlekschakelaar met een nominale reststroom van maximaal 30 mA. Bovendien moet de elektrische installatie zijn uitgerust met een stroomonderbreker om de volledige uitschakeling van de voeding te waarborgen.

Er moet een spanningsvereffening komen tussen de metalen elementen van het bad, in overeenstemming met de toepasselijke regelgeving in elk land. Onderdelen met onder spanning staande componenten, met uitzondering van diegene die werken op een beschermende extra lage spanning van maximaal 12 V, moeten niet toegankelijk zijn voor de persoon in bad. Elektrische componenten moeten zo worden geplaatst of beveiligd dat ze niet in het bad kunnen vallen.



WATERAANSLUITINGEN VOOR WATERMASSAGE OF OVERLOOP

Zodra de watertoevoer zich onder de rand van het bad bevindt, moet er een verbinding worden gemaakt met een veiligheidsinrichting volgens EN 1717 (Vloeistofcategorie 5). Dit kan bijvoorbeeld inhouden dat er een DC-veiligheidsinrichting wordt gebruikt (bijvoorbeeld een type 1 pijp onderbreker met een permanente verbinding met de atmosfeer), afhankelijk van de specifieke installatievereisten. Deze verbinding moet uitsluitend worden uitgevoerd door een gekwalificeerde specialist. Deze richtlijnen zijn van toepassing op de volgende scenario's:

- A. Alle baden die worden gevuld via de overloop.
- B. Alle baden die zijn aangesloten en worden gevuld via de sproeiers van de watermassage in de bestaande T-aansluiting.

In beide gevallen moet de verbinding worden gemaakt met behulp van versterkte elastische buizen die geschikt zijn voor gemengd warm en koud water.

Doorstromsnelheid: Maximaal 20 liter/min (EN 200)

Overloopcapaciteit: Minimaal 36 liter/min (EN 274)

Afvoercapaciteit: Minimaal 48 liter/min (EN 274)

Permanente installatie

Onderhoudsluiken moeten afmetingen hebben van minstens 50 x 50 cm, zodat technische componenten zoals de pomp, ventilator, ventielen, aansluitdoos en andere verbindingen goed toegankelijk zijn. Bij voorkeur worden verwijderbare zijpanelen gebruikt, maar gebruik altijd starre elementen.

Daarnaast wordt aanbevolen om onderhoudsluiken van 20 x 20 cm te installeren voor de afvoer/overloop, om een goede geluidsisolatie tijdens de installatie te waarborgen.

Voor een goede ventilatie is de installatie van een ventilatierooster (niet meegeleverd) absoluut noodzakelijk. Afhankelijk van het model moet het ventilatierooster worden geplaatst in de muur nabij het bad. Binnen de luiken kan een ventilatierooster (minimaal 150 cm) worden geplaatst om lucht aan te voeren naar de ventilator. Overweeg ook om een onderhoudsluik/ventilatierooster in de aangrenzende kamer te plaatsen.

Om geluidsisolatie te optimaliseren, moet het ventilatierooster worden geïnstalleerd met geluidsisolerende materialen. Het is ook acceptabel om het ventilatierooster in de aangrenzende kamer te plaatsen, indien geschikt.

Bij beperkte ruimte: Als er onvoldoende ruimte is voor een onderhoudsluik wordt "oppervlaktemontage" aanbevolen om volledige demontage van het bad mogelijk te maken indien nodig. Zorg ervoor dat de afvoerpijp, elektrische aansluitingen en, indien van toepassing, de waterleiding kunnen worden losgekoppeld via de ventilatieopening. Dicht de hele omtrek van de badkuiprand af met siliconenkit (zonder azijnzuur).

Het bad moet worden geplaatst op een oppervlak dat het water kan dragen (bijv. tegels) en met een lichte helling naar buiten, zodat water in geval van een mogelijke lekkage of morsen onder de plint naar buiten loopt en niet onder het bad ophoopt. De garantie dekt geen waterschade veroorzaakt door slechte installatie. Het wordt aanbevolen om het whirlpool-bad niet volledig te omringen met tegels. De waterpomp, luchtpomp en ozon-desinfectie vereisen luchtcirculatie.

Water mag niet rechtstreeks in de douchehouder worden gegoten tijdens gebruik. De garantie dekt geen waterschade veroorzaakt door verkeerd gebruik.

De interne onderdelen van het bad moeten gemakkelijk toegankelijk zijn, anders dekt de garantie niet de toegang tot de interne onderdelen in geval van een storing.

Controleren op lekkage

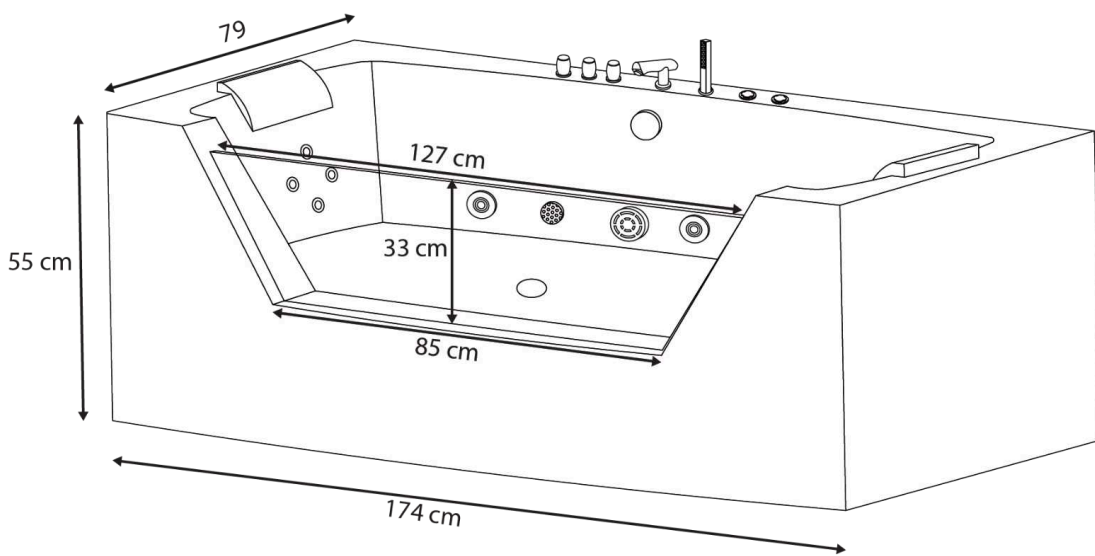
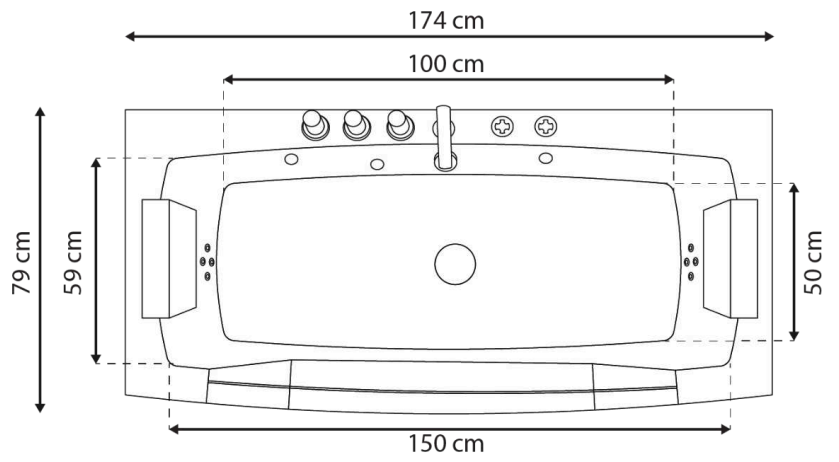
Na het aansluiten van de watertoevoer en afvoer van het bad moet het worden gevuld en gecontroleerd op lekkages.

Controleer de volgende functies met behulp van het bedieningspaneel:

1. Luchtsysteem
2. Instellingen van de waterpomp

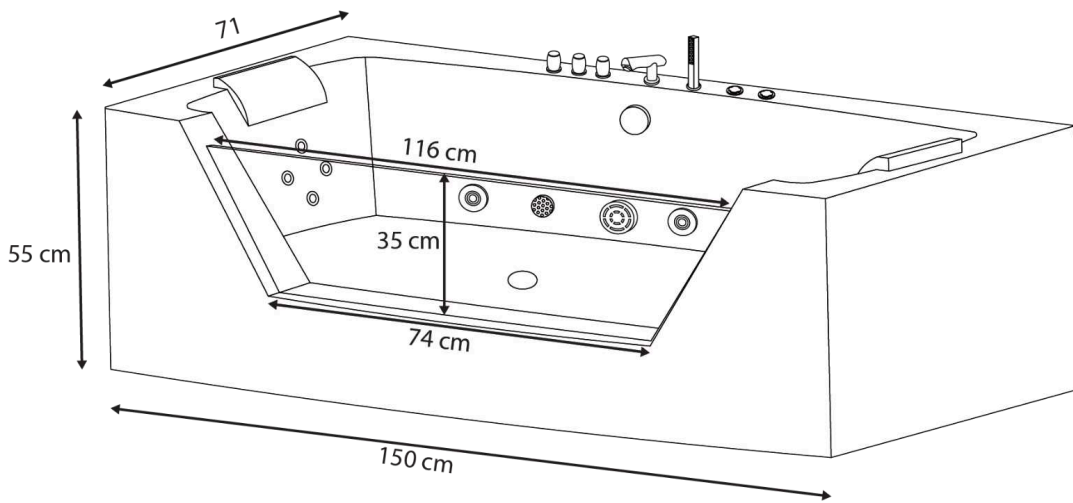
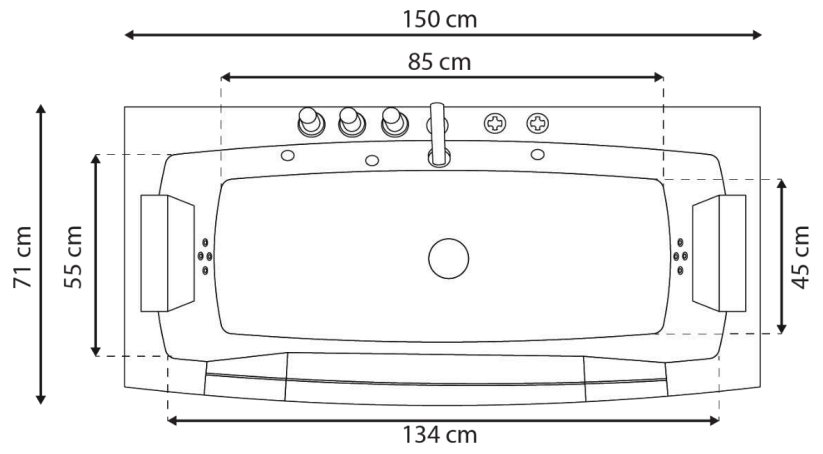
De watertemperatuur van het bad mag niet hoger zijn dan 40 °C.

1740*790*550mm



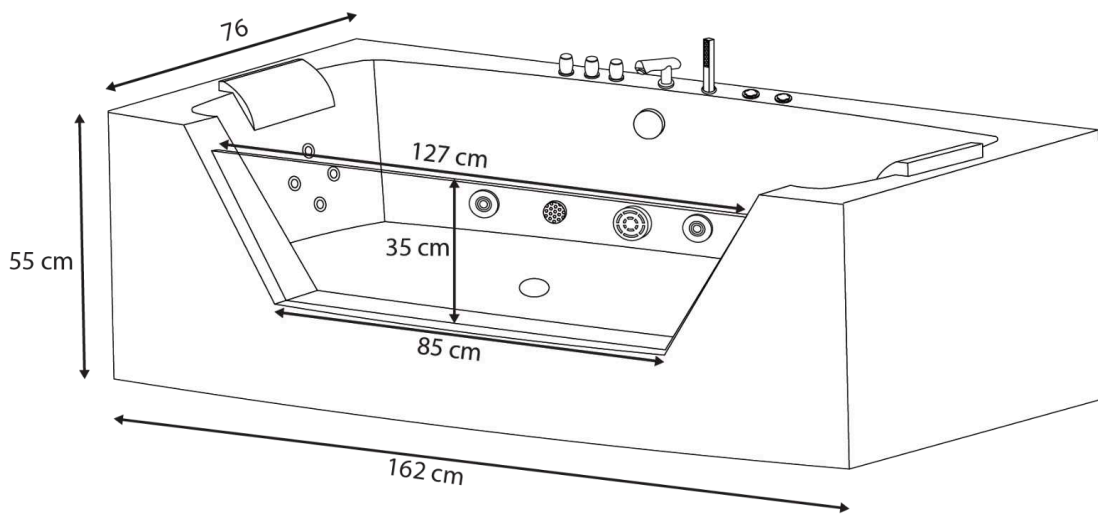
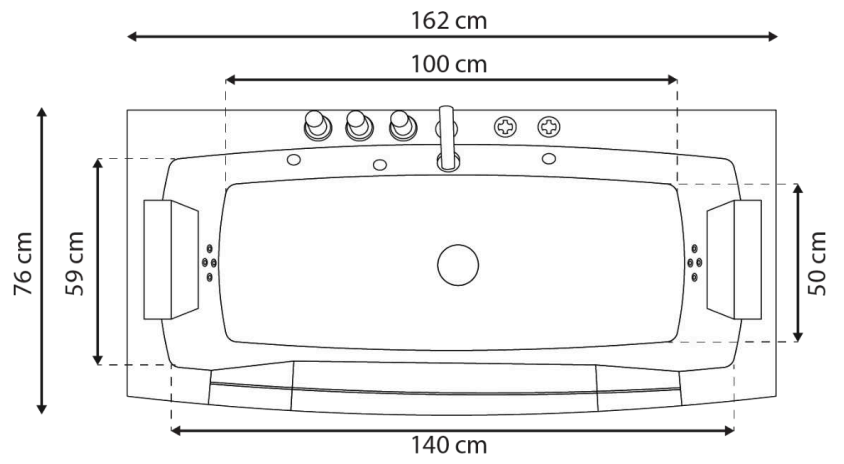
+/- 2 cm

1500*710*550mm



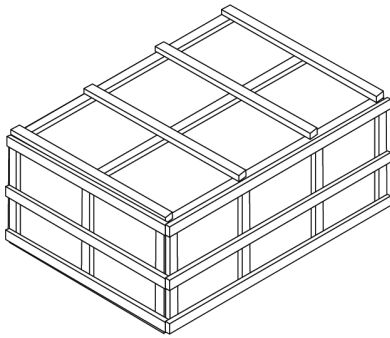
+/- 2 cm

1620*760*550mm

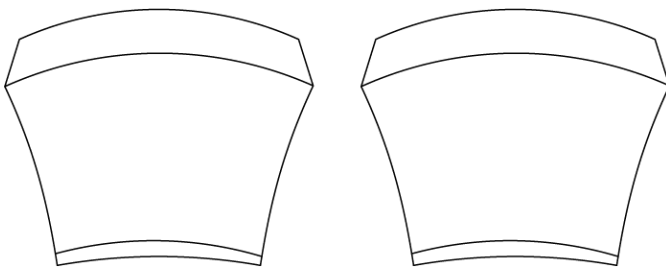


+/- 2 cm

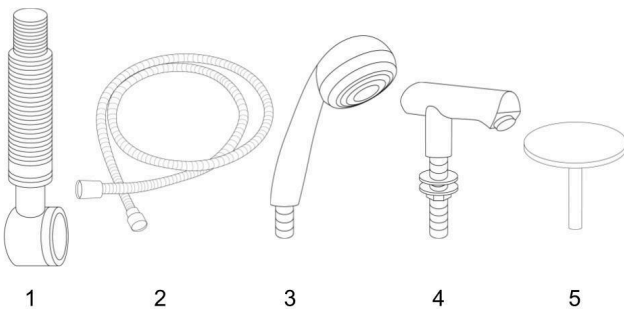
Inhoud van het pakket



Gebruik een schaar om de verpakking te openen. Zorg ervoor dat alle onderdelen in de verpakking zitten.

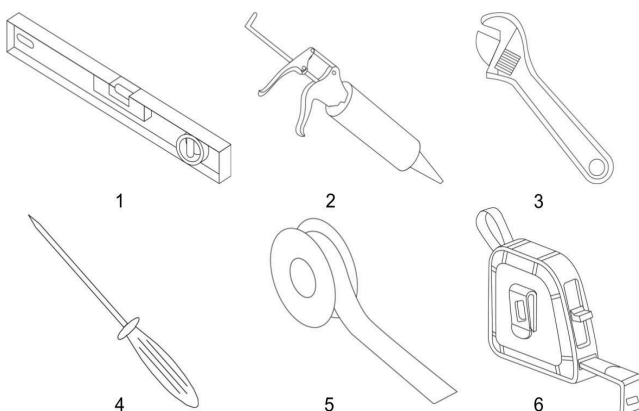


2 x Hoofdsteunen



Accessoires doos

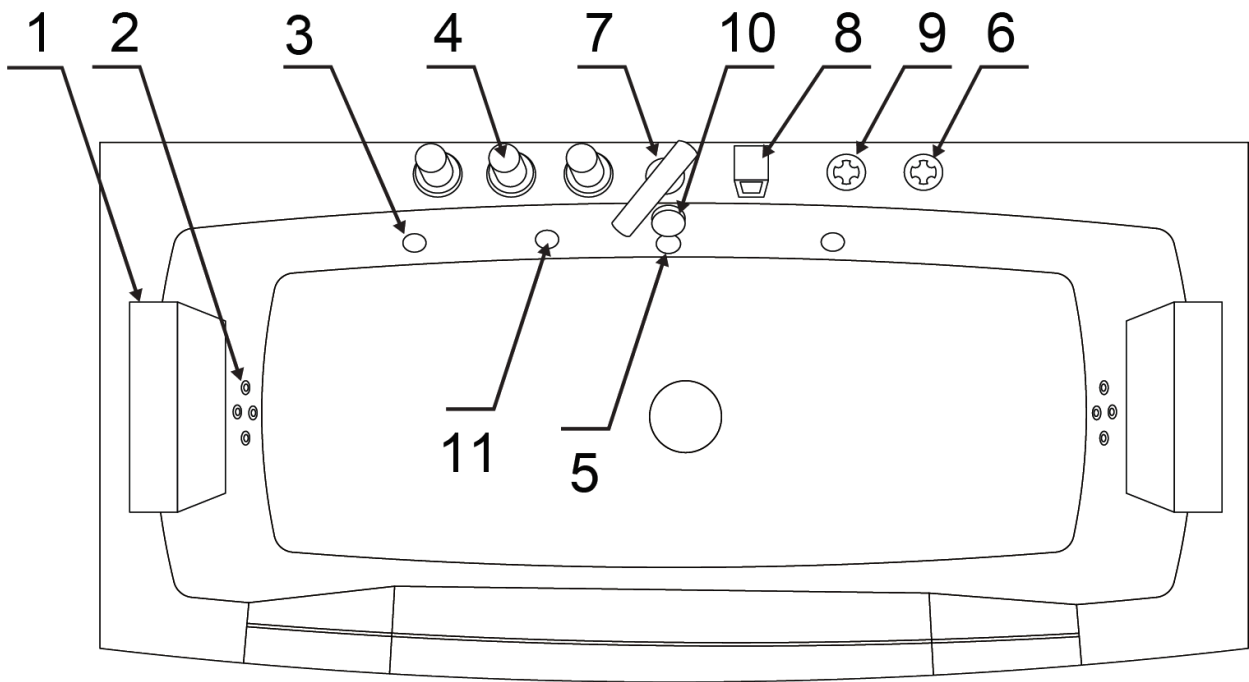
1. 1x Afvoer
2. 1x Handdoucheslang
3. 1x Handdouche
4. 1x Waterval waterinlaat
5. 1x Afvoerdop



Benodigde gereedschappen voor montage

1. Waterpas
2. Afdichtmiddel
3. Verstelbare moersleutel
4. Schroevendraaier
5. PTFE-draadafdichtingstape
6. Rolmaat

Vorbereiding
Montage van het bad

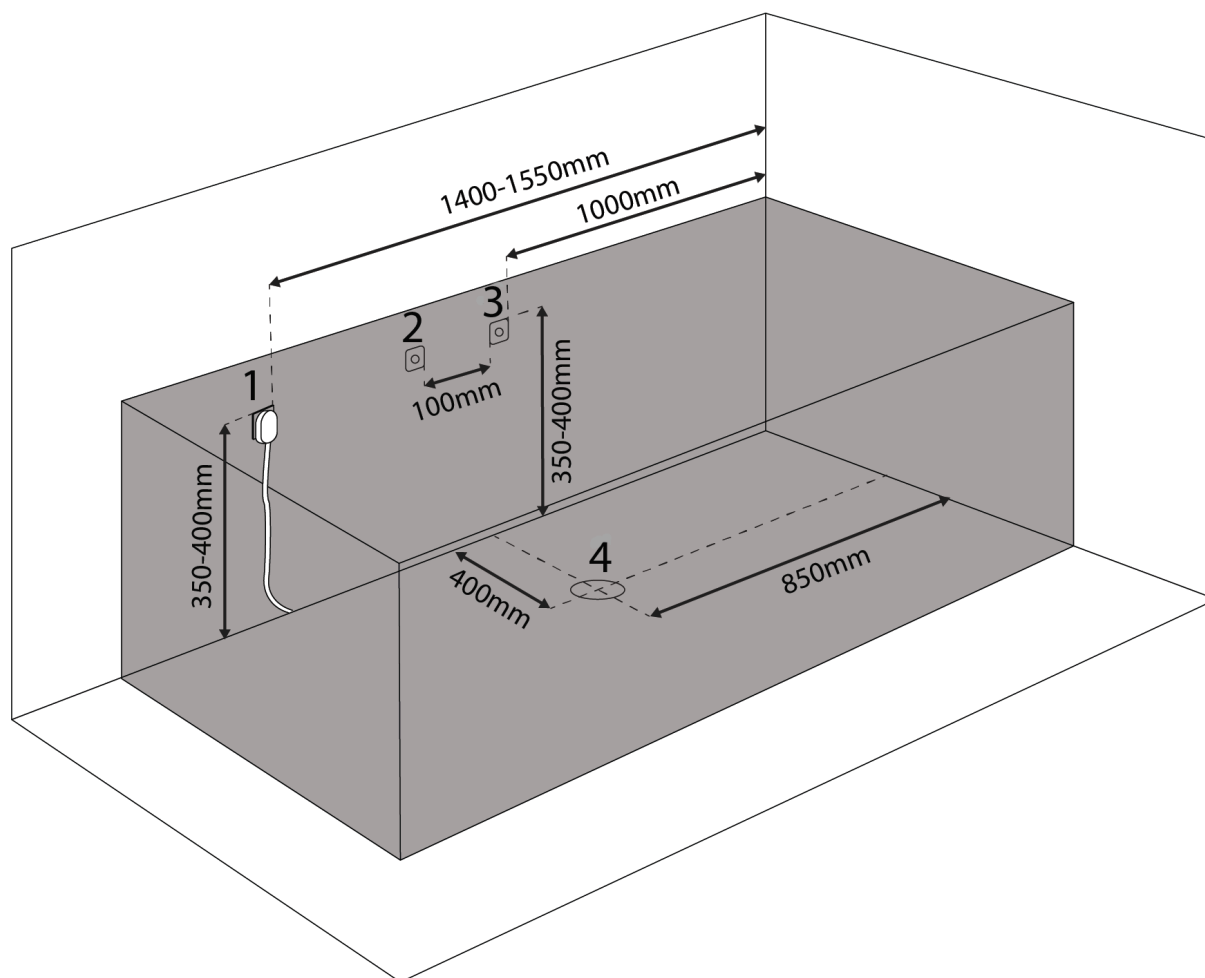


Onderdeel	Omschrijving	Onderdeel	Omschrijving
1	Hoofdsteun	2	Kleine stralen
3	Grote jets	4	Kraan
5	Zuig	6	Aan/uit-schakelaar
7	Kraantje	8	Handdouche
9	Regelaar	10	Afvoer regelaar
11	Onderwater Licht		

Elektrische gegevens

Nominale spanning	Nominale frequentie	Maximaal nominaal vermogen	Maximaal geschat vermogen
230 V	50 Hz	2600 W	11.8 A

1. Uit te voeren door een erkende elektricien. Zorg voor bescherming via een aardlekschakelaar (30 mA).
2. Er moet een elektrische lekbeveiliging aanwezig zijn in de stroomvoorziening. Elektrische kabels moeten worden bevestigd. De maat van de elektrische kabel mag niet kleiner zijn dan 2,5 mm². De stroomvoorzieningsapparatuur moet voldoen aan nationale voorschriften.
3. Waarschuwing: Neem de volgende veiligheidsmaatregelen bij het gebruik van elektrische apparaten.
4. Gevaren: Risico op elektrische schok. Sluit alleen circuits aan die beveiligd zijn met een GFCI ('aardlekschakelaar'). Een aardlekschakelaar is niet inbegrepen, maar we zullen u hierover de nodige informatie verstrekken. Een aardlekschakelaar is wettelijk verplicht.

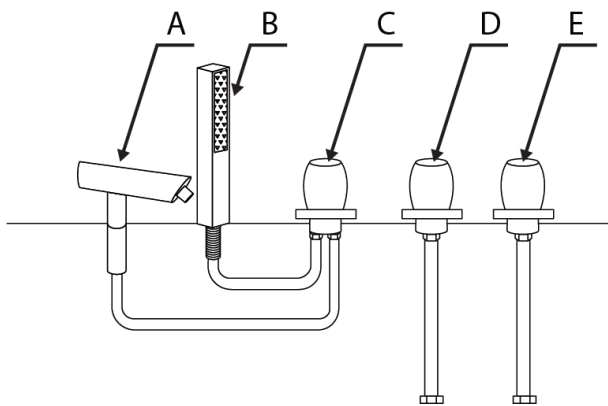


Plan van de aansluitingen

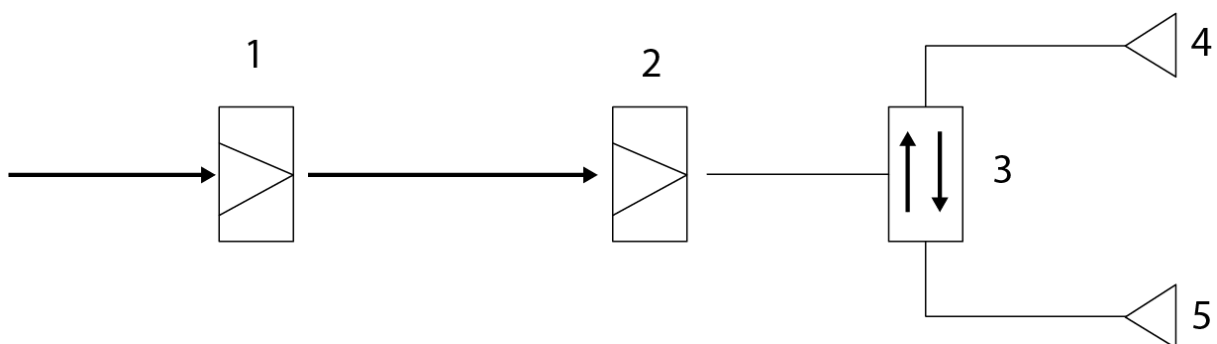
1. Elektrisch stopcontact
2. Warm water
3. Koud water
4. Afvoergat

Aansluitplan

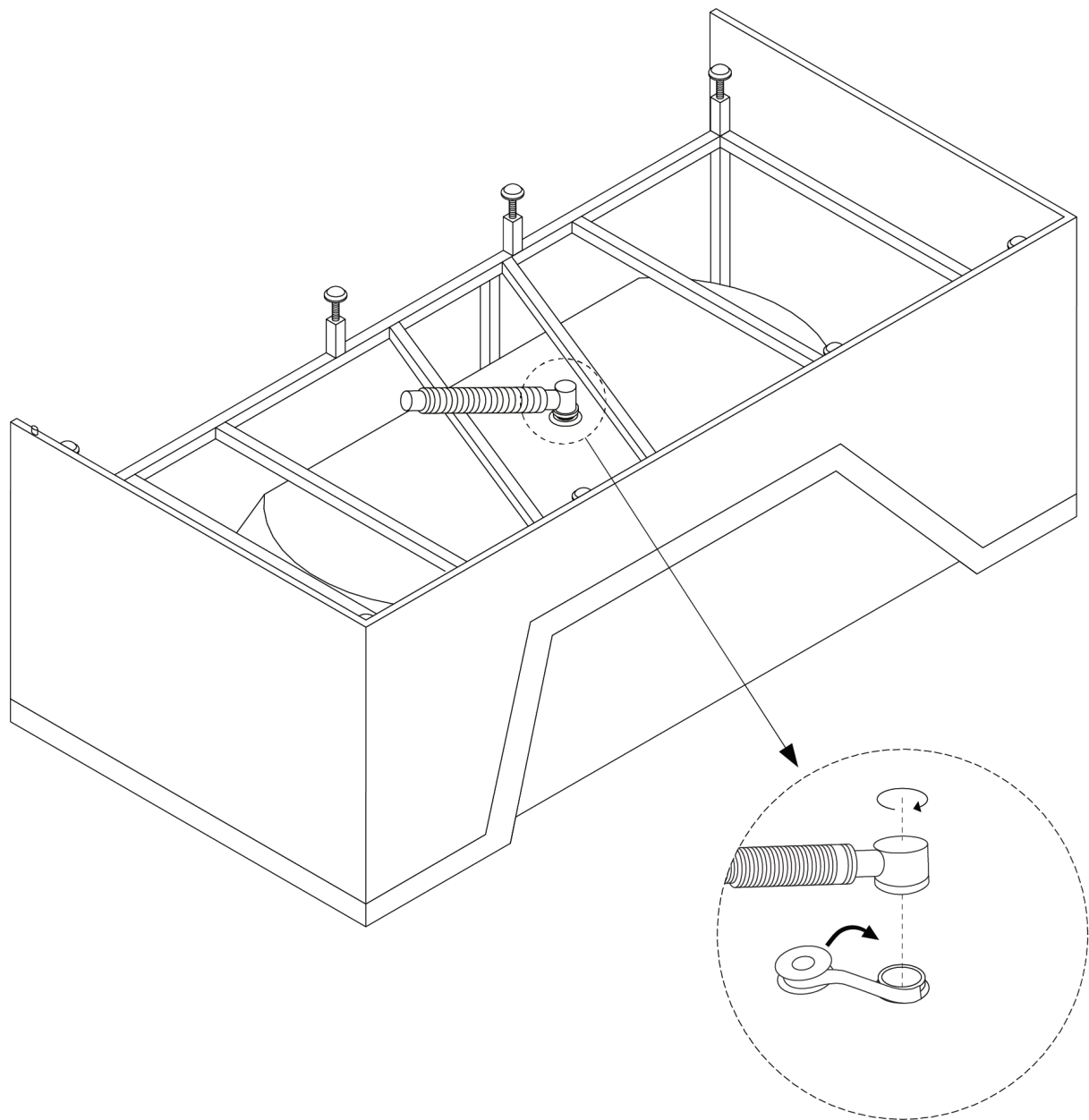
- A. Waterval kraan
- B. Handdouche
- C. Schakelen tussen handdouche en kraan
- D. Inlaat voor warm water
- E. Inlaat voor koud water

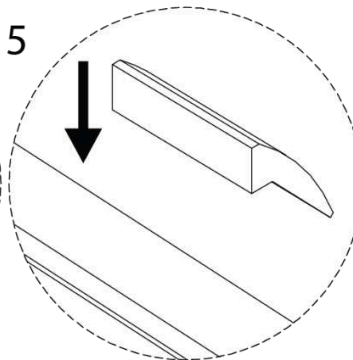
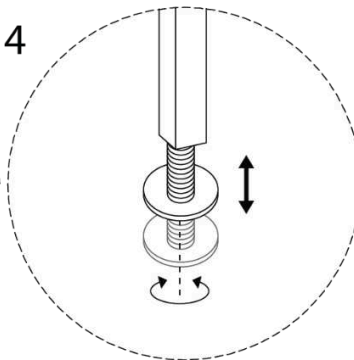
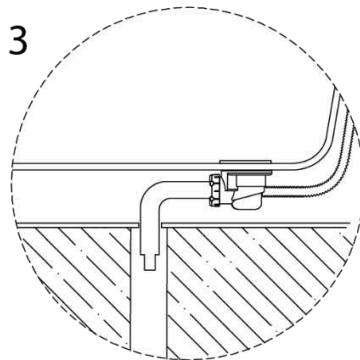
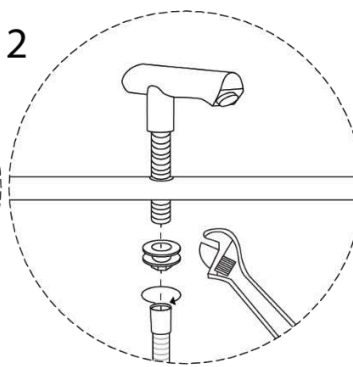
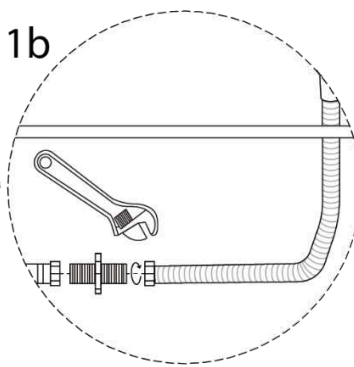
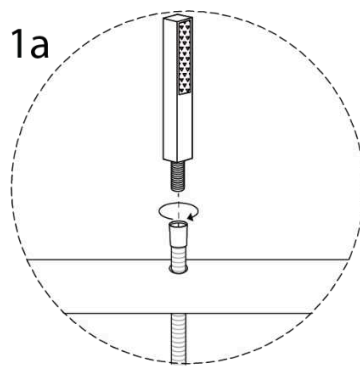
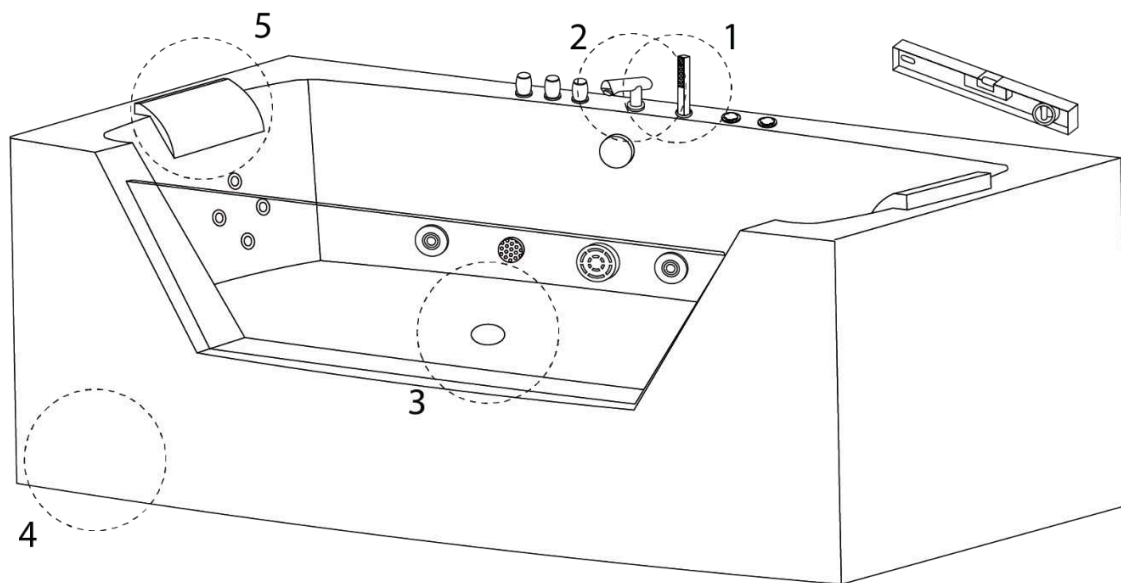


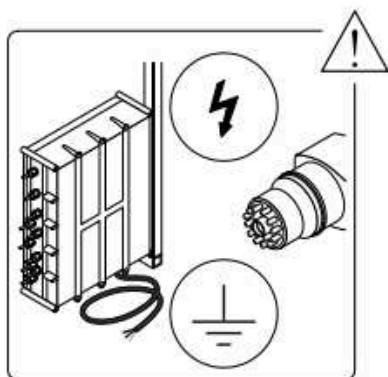
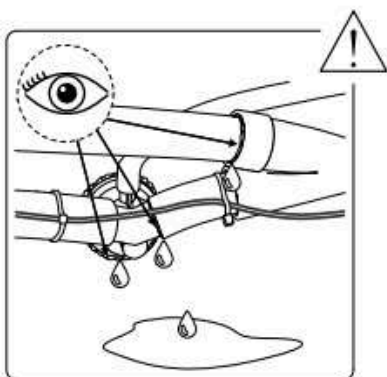
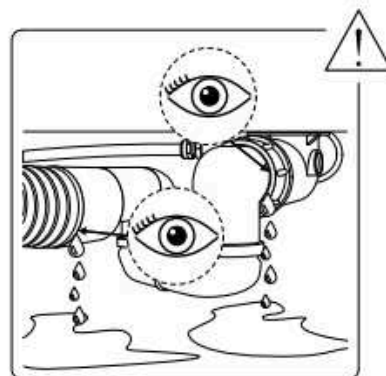
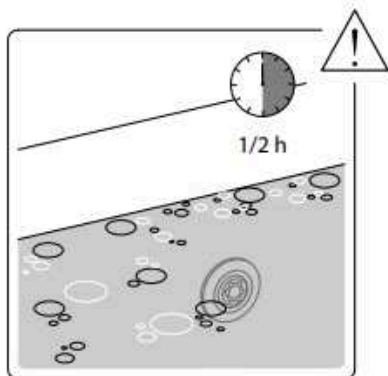
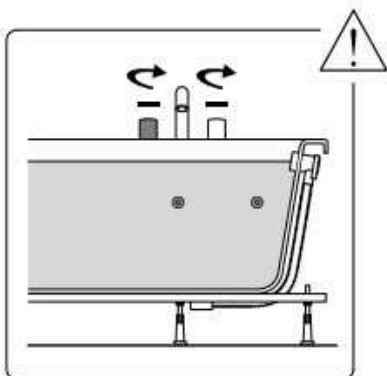
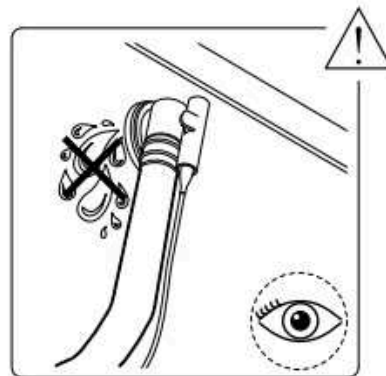
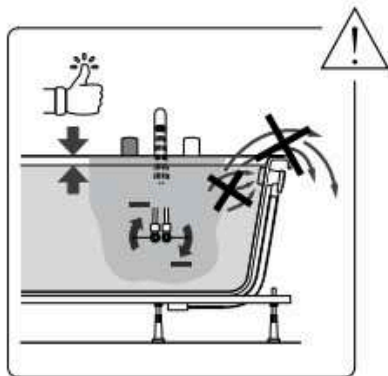
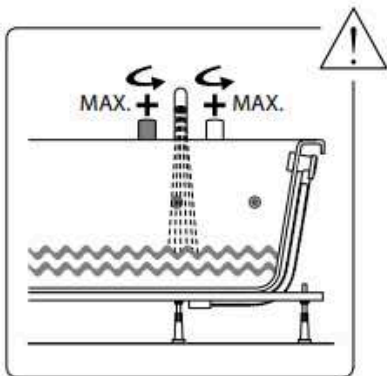
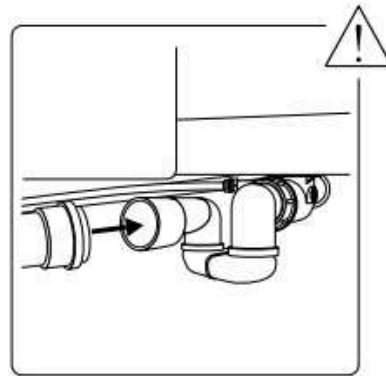
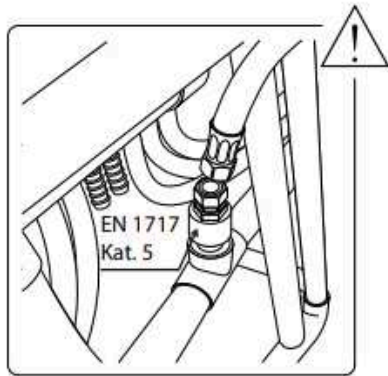
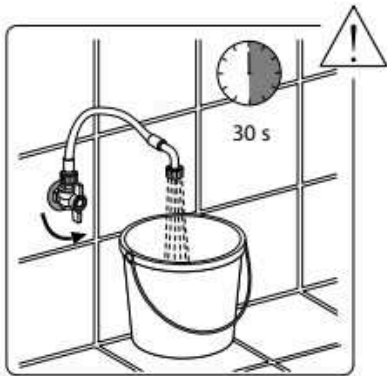
Watervoorziening

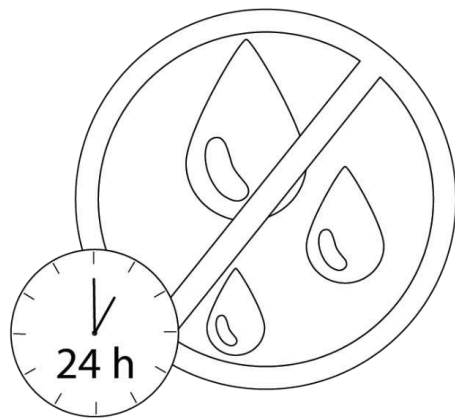
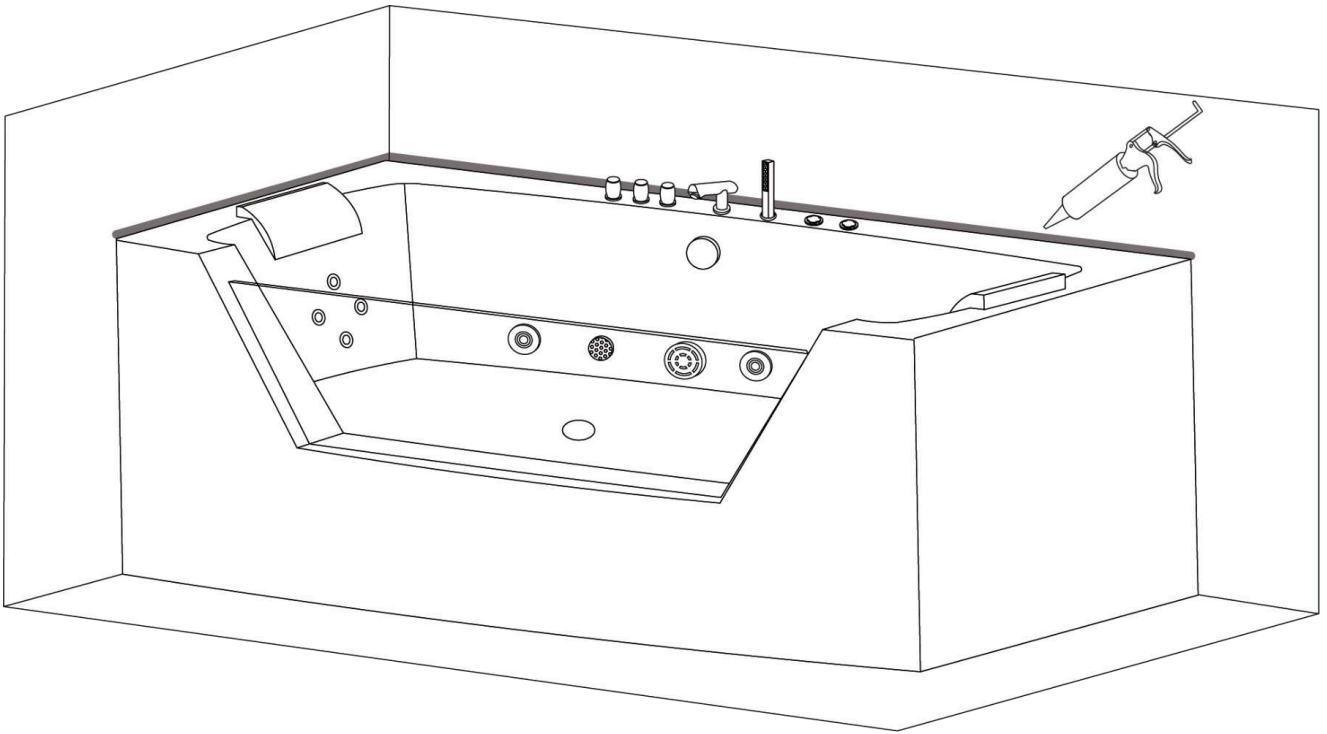


1. Koud water
2. Warm water
3. Omschakelen tussen handdouche en kraan
4. Handdouche
5. Waterval kraan









Instructies voor het gebruik van de badkuip

1. Zet de stroom aan.
2. Zet de boilers voor koud en warm water aan en pas de temperatuur aan.
3. Gebruik het bedieningspaneel om het bad te vullen met water, via de kraan of de handdouche.
4. Activeer de waterpomp niet totdat het waterpeil de jets bereikt.
5. Gebruik de luchtregeelaar om de intensiteit van de massage aan te passen.
6. Draai aan de handdouche om de massage-effecten aan te passen.
7. Het licht zal automatisch aan gaan en van kleur veranderen wanneer je de waterpomp aanzet. Het licht gaat uit wanneer je de waterpomp uitschakelt.
8. Druk op de luchtschakelaar om de pomp uit te schakelen. Laat het water na gebruik weglopen en schakel ten slotte de stroom uit.

Probleemoplossing

Storing	Mogelijke redenen	Probeer dit
Waterpomp werkt niet	De stekker is niet goed aangesloten; de lekbescherming is niet aangesloten	Steek de stekker in het stopcontact en sluit de lekbescherming aan
	De rotor van de waterpomp wordt geblokkeerd door iets kleins	Reinig de rotor van de waterpomp
	De waterpomp is uitgeschakeld	Zet de waterpomp aan
	De stekker is niet goed ingestoken	Steek de stekker correct in
	Kapotte waterpomp	Repareer of vervang de waterpomp
Massagejets starten niet	Spanningsprobleem	Controleer de spanning
	Aan/uit-knop staat niet aan of werkt niet	Controleer de schakelaar of vervang deze
	Watercirculatie is geblokkeerd	Reinig de waterleidingen
Badkuip staat niet waterpas	Verstelbare voeten zijn niet goed ingesteld	Stel de voeten af
Water overstroomt	Overloopafvoer is defect	Vervang de overloopafvoer

	Moeren zitten los	Draai de moeren vast
	Verbindingsdelen zijn niet goed bevestigd	Controleer de hechting van de verbindingsonderdelen

Reiniging

1. Gebruik een zachte doek om schoon te maken en vermijd het gebruik van sterke schoonmaakmiddelen die aceton of ammoniak bevatten. Het is ten strengste verboden om te desinfecteren met mierenzuur of formaldehyde.
2. Als er een kras op het oppervlak zit, gebruik dan nat schuurpapier korrel 2000 om het voorzichtig te polijsten. Polijst daarna verder met tandenpasta en een zachte doek.
3. Kalkaanslag kan worden verwijderd met azijn of citroensap.
4. Als de watercirculatie geblokkeerd is, schroef dan de sproeiers en leidingen los en maak ze schoon.
5. Regelmatig schoonmaken is niet nodig voor de vergulde en verzilverde onderdelen.
6. Sla niet met harde voorwerpen tegen het bad. Vermijd bovendien direct contact tussen de badkuip en hete voorwerpen die een temperatuur van 70 °C overschrijden (bv. sigaretten). Reinig het bad niet met chemische middelen die bleekmiddel bevatten.
7. Na gebruik moet het water worden afgevoerd en de stekker uit het stopcontact worden gehaald.
8. Het watermassagesysteem reinigen: Vul het bad met 40 °C heet water en voeg 2 g reinigingsmiddel per liter toe. Laat het massagesysteem 5 minuten draaien. Stop het daarna en laat het water weglopen. Vul het bad opnieuw met koud water en activeer het massagesysteem gedurende 3 minuten. U kunt nu het water opnieuw laten weglopen en uw massagejets zijn schoon.

Voorzorgsmaatregelen

1. De installatie moet worden uitgevoerd door een erkend installateur. Volg de instructies in de handleiding.
2. Geschikte slangen moeten lokaal worden aangeschaft en aangesloten door een specialist. In geen geval mogen door de verkoper geleverde aansluitslangen worden gebruikt.
3. Alle slangen moeten door een specialist worden gecontroleerd en afgedicht voordat het product wordt gebruikt en dit moet op regelmatige basis. Slangen kunnen losraken tijdens transport of na verloop van tijd.
4. Bij het installeren van het product moet de klant ervoor zorgen dat het voorpaneel altijd gemakkelijk toegankelijk is voor onderhoudsdoeleinden en als onderdelen vervangen moeten worden.

5. De elektrische componenten moeten voldoen aan de nationale veiligheidsnormen. Installeer een aardlekschakelaar voor de voeding.
6. Laat geen oververhit water lopen en activeer de jets pas als het waterniveau erboven staat.
7. Het apparaat werkt op een nominale spanning van 230V. Koppel de voeding los na gebruik.
8. Het wordt afgeraden om langer dan 30 minuten in bad te blijven.
9. Start het apparaat af en toe opnieuw op.
10. Als de voedingskabel beschadigd is, moet deze onmiddellijk worden vervangen.
11. Lees de gebruikershandleiding zorgvuldig door om ongelukken en andere schade te voorkomen.
12. Reinig en onderhoud het bad of de whirlpool regelmatig volgens de instructies van de fabrikant om opeenhoping van vuil en bacteriën en schimmelgroei te voorkomen.
13. In geval van een defect is de klant verantwoordelijk voor de verwijdering van het defecte onderdeel en de hermontage ervan.

Algemene informatie over functionaliteit en gebruik

Laat het water na elk bad weglopen. Laat kinderen nooit zonder toezicht in bad.

Whirlpool onderhoudsinstructies

Het oppervlak is gemakkelijk schoon te maken en te onderhouden. Het gladde oppervlak trekt nauwelijks vuil aan. Regelmatig onderhoud: spons, zachte doek, wat antistatisch schoonmaakmiddel. Zo behoudt het bad zijn glans en blijft het vuilafstotend. Vermijd het gebruik van schurende reinigingsmiddelen of reinigingsmiddelen op basis van oplosmiddelen die het oppervlak van de kuip kunnen beschadigen. Gebruik voor hardnekkig vuil een vloeibaar huishoudelijk reinigingsmiddel zoals afwasmiddel of zeepoplossing (volg de verdunningsinstructies). Verwijder kalkvlekken met een kalkverwijderaar. Spoel altijd grondig af met veel schoon water en poets met een doek. Gebruik geen zure schoonmaakmiddelen of schoonmaakmiddelen op basis van azijn.

Schade

Bekraste oppervlakken moeten door een professional worden behandeld. Behandel ze met een oplosmiddelvrije polijstpasta. Indien nodig kan het oppervlak eerst worden behandeld met nat schuurpapier (nr. 800, gevolgd door nr. 1200) alvorens te polijsten. Gebruik geen oplosmiddelen op basis van alcohol of aceton. Schade veroorzaakt door slecht gebruik valt niet onder onze garantie.



**Let op! Als het oppervlak nat is, bestaat er een verhoogd risico op uitglijden.
Vooral bij het gebruik van zeep, shampoo, badolie enz.**

Wijzigingen voorbehouden

Beliani behoudt zich het recht voor om zonder voorafgaande kennisgeving wijzigingen of productaanpassingen aan te brengen.

Importeur:

Beliani GmbH, Haldenstrasse 5, 6340 Baar, Zwitserland

Prestatieverklaring

1. Unieke productcode: Productnummer onderaan de pagina
2. Beoogd gebruik: Bubbelbad voor huishoudelijk gebruik voor persoonlijke hygiëne (PH)
3. Importeur:
Beliani GmbH
Haldenstrasse 5
6340 Baar
Zwitserland
Telefoon: +41 43 5082233
4. Gemachtigd persoon: %
5. Systeem voor beoordeling en verificatie van de bestendigheid van de prestaties:
Systeem 4
 - a. Geharmoniseerde norm: EN 12764:2015
Aangemelde instantie: %
 - b. Europees beoordelingsdocument: %
Europese technische beoordeling: %
Technische beoordelingsinstantie: %
Aangemelde instantie: %
6. Aangemelde prestaties:
Essentiële eigenschappen Prestaties Geharmoniseerde technische specificatie
Veiligheid tegen
Verstrikking van het haar (HE) Voldaan EN 12764:2004+A1:2008
Reinigbaarheid (CA) Voldaan EN 12764:2004+A1:2008
Duurzaamheid (DA) Voldaan EN 12764:2004+A1:2008
7. Relevante technische documentatie of specifieke technische documentatie:
Rapport nr.: 50074404 001 TÜV Rheinland

De prestaties van bovenstaand product komen overeen met de opgegeven prestaties.
De hierboven genoemde importeur is als enige verantwoordelijk voor het opstellen van de prestatieverklaring overeenkomstig Verordening (EU) nr. 305/2011.

Bijlage

Artikelnummer	Naam artikel	Vermogen
1213 MONTEGO	Bad met massagefunctie	HE + CA + DA
1218 SAMANA	Bad met massagefunctie	HE + CA + DA
1219 MARTINICA	Bad met massagefunctie	HE + CA + DA
15497 TOCOA	Bad met massagefunctie	HE + CA + DA
13720 SALAMANCA	Bad met massagefunctie	HE + CA + DA
14894 MONTEGO	Bad met massagefunctie	HE + CA + DA
1216 PARADISO	Bad met massagefunctie	HE + CA + DA
1217 PARADISO	Bad met massagefunctie	HE + CA + DA
1223 VARADERO	Bad met massagefunctie	HE + CA + DA
14892 PARADISO	Bad met massagefunctie	HE + CA + DA

Ondertekend voor de importeur en namens de fabrikant door:
Michael Widmer, algemeen directeur



6340 Baar, 13-05-2020

Suomi (FI)

Ammeen asennusohjeet

Valmistaja ja maahantuojaja:

Beliani GmbH, Haldenstrasse 5, 6340 Baar, Sveitsi



Käyttöohjeet

Lue nämä käyttöohjeet huolellisesti ennen asennusta.

Tuotteen tarkastaminen toimituksen yhteydessä

Vastaanottaessasi paketin, tarkista tuote kokonaisuudessaan mahdollisten vaurioiden osalta. Jos havaitset vaurioita, ilmoita siitä välittömästi myyjälle. Emme ole vastuussa asennuksen aikana tai sen jälkeen aiheutuneista vaurioista.

Ammeen nostaminen/siirtäminen

Kun nostat tai siirrät ammetta, tartu siihen reunoista – älä koskaan letkuista tai asennusosista.

Putkien asentaminen

Putkia ei saa asentaa ammeen alle.

Vaurioilta suojaaminen

Käytä asianmukaisia suojuksia välttääksesi lian tai pölyn aiheuttamat pintojen vauriot ja tukokset asennuksen aikana. Ennen asennuksen/asentamisen aloittamista peitä herkät osat, kuten viemärit, suuttimet ja ohjauspaneeli, tilapäisesti suojapeitteillä.

Erityisvarotoimenpiteet

Kun puhdistat laattoja, varmista, ettei ammoniakkia tai muita vastaavia voimakkaita puhdistusaineita pääse kosketuksiin sisäänrakennettujen osien kanssa.

Sähköliitäntä (230 V)

Tämä toimenpide tulee suorittaa vain valtuutetun sähköasentajan toimesta. Varmista suojaus jännösvirtasuojalla (30 mA).

Turvallisuusmääräykset

Ammeen asennuksen aikana on otettava huomioon useita perustoimenpiteitä mahdollisten onnettomuuksien välttämiseksi. Asennuksen saavat suorittaa vain pätevät ammattilaiset. Amme on kytkettävä 230 V vaihtovirtaan 50 Hz:n jännitteellä. Laite on kytkettävä verkkovirtaan jäännösvirtalaitteen kautta, jonka nimellinen jäännösvirta on enintään 30 mA. Lisäksi sähkölaitteisto on varustettava katkaisijalla, joka varmistaa, että kaikki navat irtoavat virtalähteestä.

Ammeen metalliosien välille on asennettava jännitteen tasausliitäntä kunkin maan asianmukaisten määräysten mukaisesti. Osat, joissa on jännitteisiä osia, lukuun ottamatta niitä, jotka toimivat suojaavalla, enintään 12 V:n pienjännitteellä, on oltava ammeessa olevan henkilön ulottumattomissa. Sähköosat on sijoitettava tai kiinnitettävä siten, että ne eivät pääse putoamaan ammeeseen.



Vesiliitännät vesisuihkua tai ylivuotoa varten

Jos veden tuloaukko on ammeen reunan alapuolella, liitäntä on tehtävä standardin EN 1717 mukaisella turvalaitteella (nesteluokka 5). Tämä voi tarkoittaa esimerkiksi DC-turvalaitteen (esim. tyyppi 1 putken virrankatkaisin, jossa on pysyvä yhteys ilmakehään) käyttöä erityisten asennusvaatimusten mukaisesti. Tämän kytkennän saa suorittaa ainoastaan pätevä ammattilainen. Näitä ohjeita sovelletaan seuraavissa tapauksissa:

- A. Kaikki ammeet, jotka täytetään ylivuodon kautta.
- B. Kaikki ammeet, jotka liitetään ja täytetään vesihierontasuuttimien kautta olemassa olevaan T-liitäntään.

Molemmissa tapauksissa liitäntä on tehtävä vahvistetulla joustavalla letkulla, joka pystyy kuljettamaan esisekoitettua kuumaa ja kylmää vettä.

Virtausnopeus: Enintään 20 litraa/ minuutti (EN 200)

Ylivuotokapasiteetti: Vähintään 36 litraa/ minuutti (EN 274)

Tyhjennyskapasiteetti: Vähintään 48 litraa/ minuutti (EN 274)

Pysyvä asennus

Huoltoluukkujen on oltava kooltaan vähintään 50 x 50 cm, jotta tekniset osat, kuten pumppu, puhallin, venttiilit, liitäntäkotelo ja muut liitännät, ovat helposti saavutettavissa. Käytä mieluiten irrotettavia sivupaneeleita, mutta aseta aina jäykät elementit etusijalle.

Lisäksi suositellaan 20 x 20 cm huoltoluukkujen asentamista tyhjennystä/ylivuotoa varten, jolloin varmistetaan asianmukainen äänieristys asennuksen aikana.

Asianmukaisen ilmanvaihdon varmistamiseksi ilmanvaihtoritilän (ei sisälly toimitukseen) asentaminen on välttämätöntä. Ammeen mallista riippuen sijoita ilmanvaihtoritilä seinärakenteeseen lähelle yksiköitä. Luukun sisäpuolelle voidaan asentaa tuuletusritilä (vähintään 150 cm), joka syöttää ilmaa puhaltimelle. Vaihtoehtoisesti harkitse huoltoluukun/tuuletusritilän sijoittamista viereiseen tilaan.

Äänieristyksen optimoimiseksi asenna tuuletusritilä ääntä eristävien materiaalien kanssa. On myös hyväksyttävää sijoittaa tuuletusritilä viereiseen tilaan, jos mahdollista.

Rajallisissa tiloissa: Jos huoltoluukulle ei ole riittävästi tilaa, suositellaan "pinta-asennusta", jotta amme voidaan tarvittaessa purkaa kokonaan. Varmista, että tyhjennysputki, sähköliitännät ja tarvittaessa vedensyöttöjohto voidaan irrottaa tuuletusaukon kautta. Tiivistä ammeen koko reunan kehä silikonilla (etikkahapottomalla).

Amme on sijoitettava vettä kestäväälle alustalle (esim. laattojen päälle) ja siten, että se on hieman kalteva ulospäin, jotta mahdollisen vuodon tai veden valumisen sattuessa se valuu pois jalkalistan alta eikä keräänny ammeen alle. Takuu ei kata huonosta asennuksesta johtuvia vesivahinkoja. On suositeltavaa, ettei ammetta ympäröidä kokonaan laatoilla. Vesipumppu, ilmapumppu ja otsonidesinfiointi tarvitsevat ilmankiertoa.

Suihkupidikkeeseen ei saa kaataa vettä suoraan käytön aikana. Takuu ei kata väärinkäytöstä aiheutuneita vesivahinkoja.

Ammeen sisäisiin osiin on päästävä helposti käsiksi, sillä muuten takuu ei kata pääsyä sisäisiin osiin vian sattuessa.

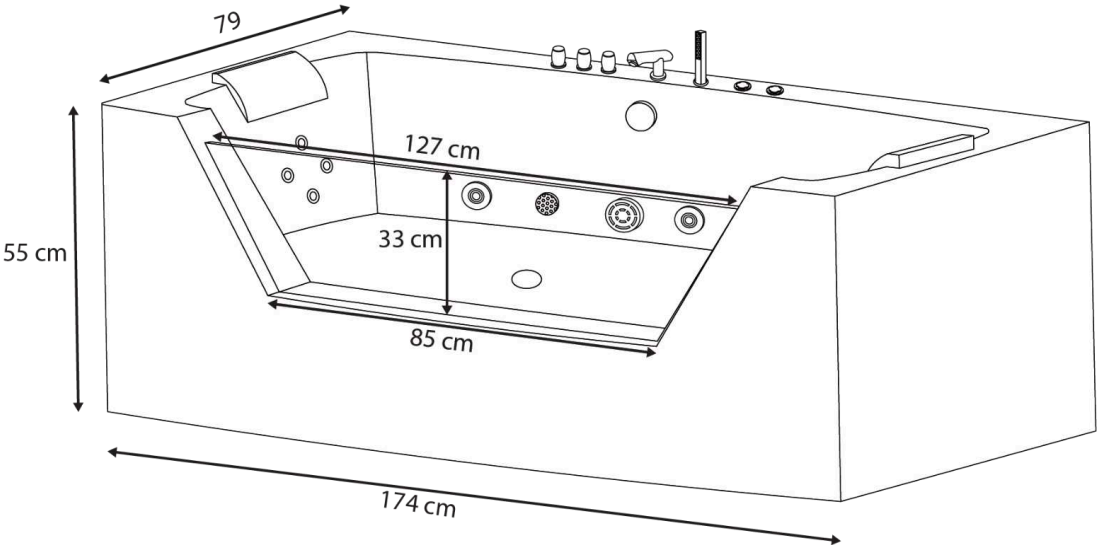
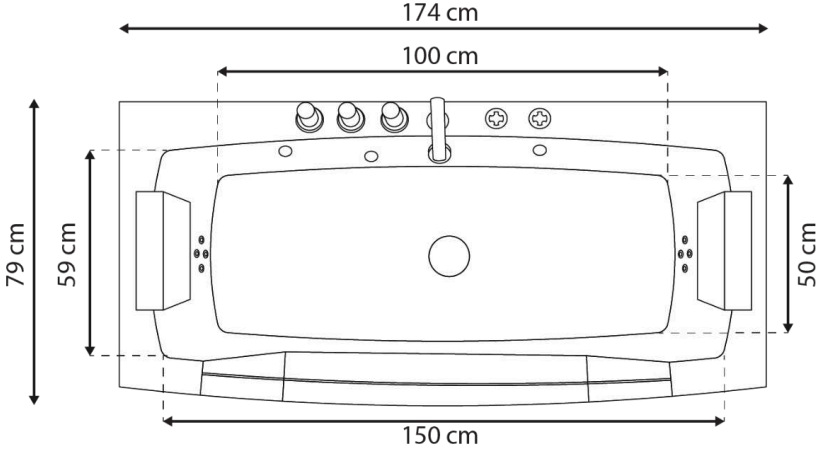
Vuotojen tarkistaminen

Kun ammeen veden tulo ja tyhjennys on liitetty, se on täytettävä ja tarkistettava vuotojen varalta. Tarkista seuraavat toiminnot ohjauspaneelin avulla:

1. Ilmajärjestelmä
2. Vesipumpun asetukset

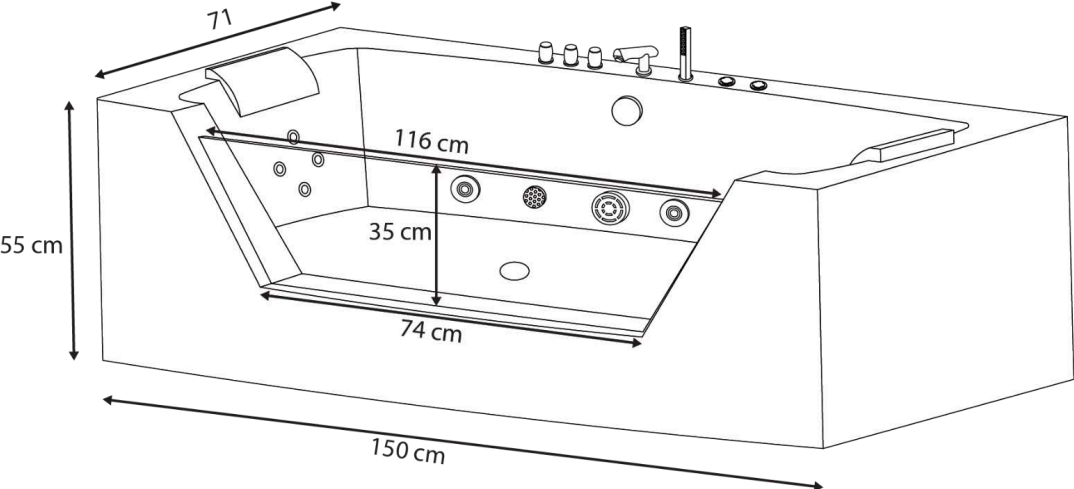
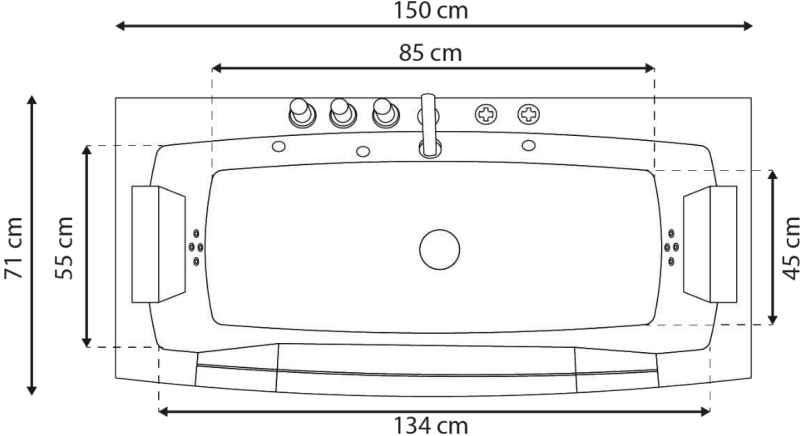
Kylpyveden lämpötilan ei tule ylittää 40 °C.

MALLI RT1708 1740*790*550mm



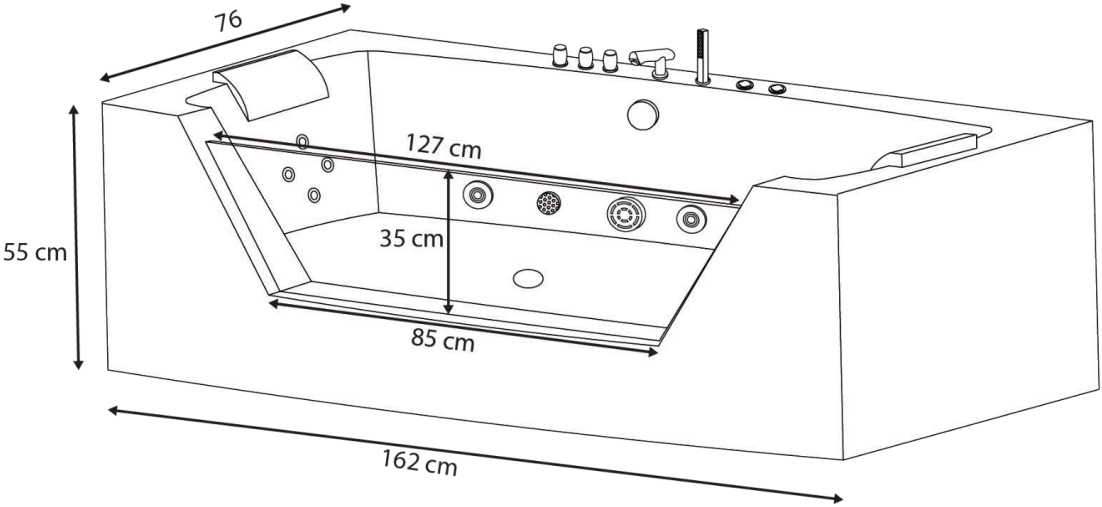
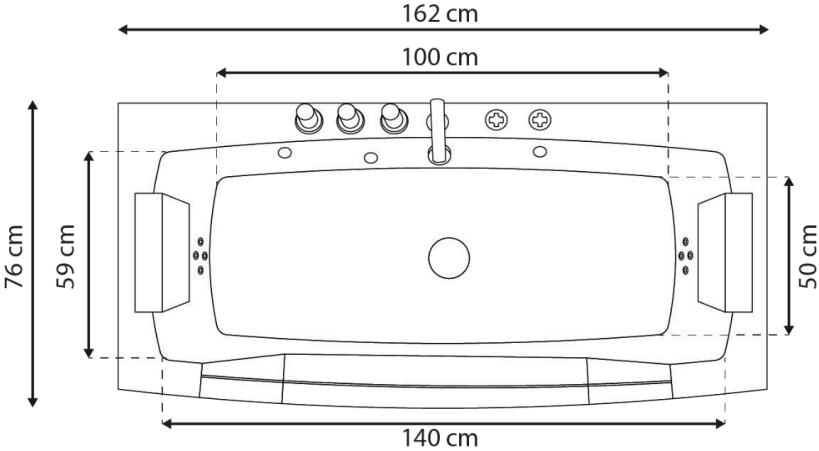
+/- 2 cm

MALLI RT1503 1500*710*550mm



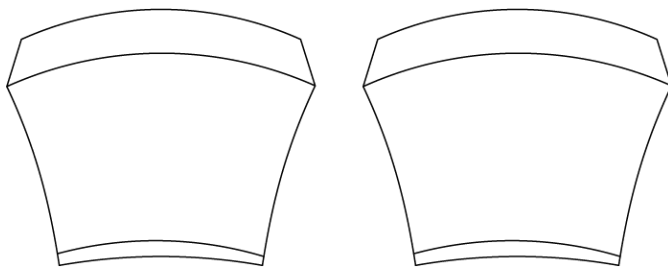
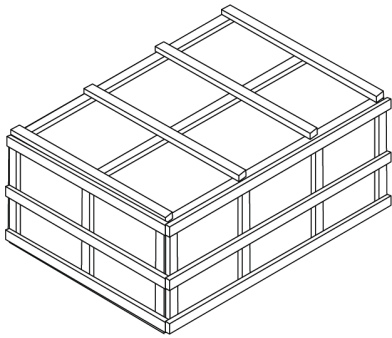
+/- 2 cm

MALLI RT1603 1620*760*550mm



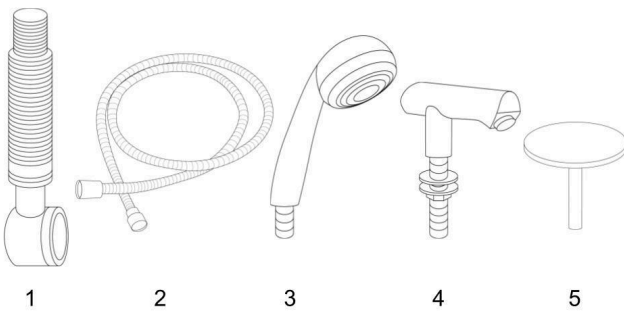
+/- 2 cm

Pakkauksen sisältö



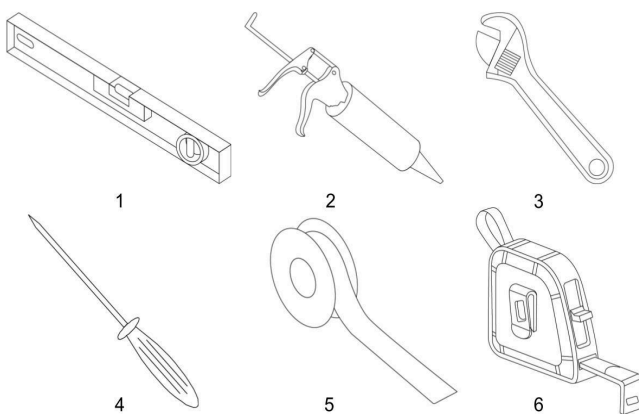
Käytä saksia pakkauksen avaamiseen;
Varmista, että kaikki osat ovat
pakkauksen sisällä.

2x Niskatuki



Osalaatikko

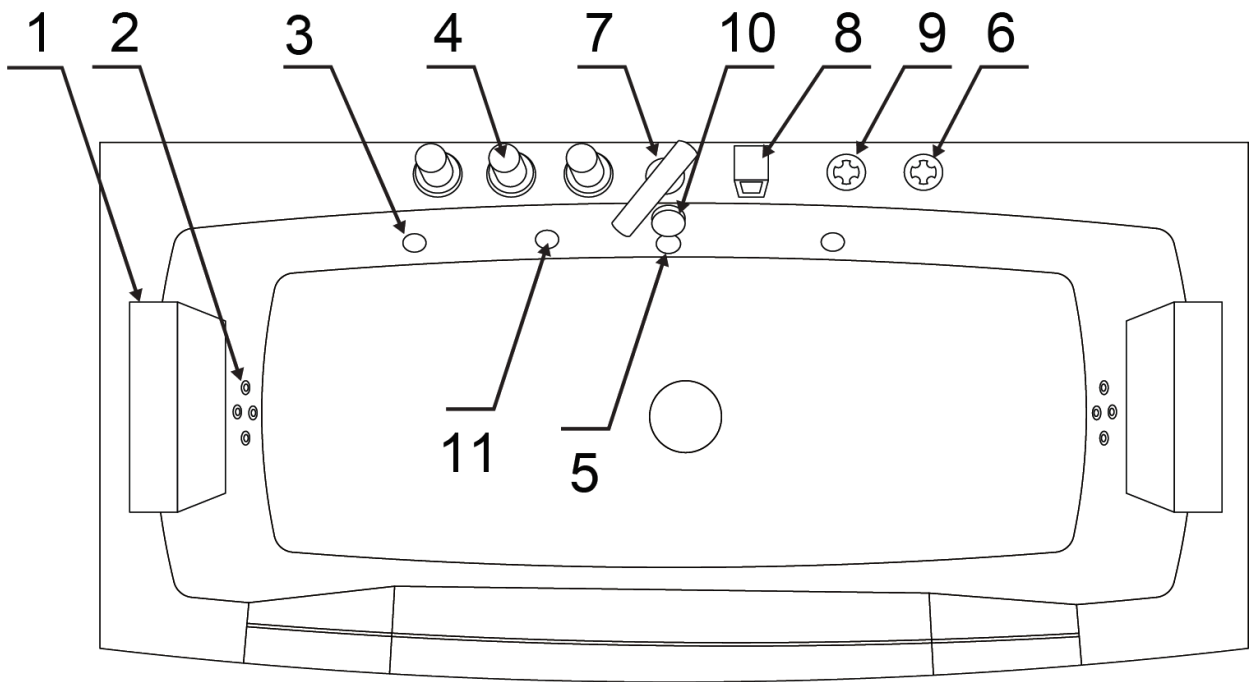
1. 1x Viemäri
2. 1x Käsisuihkun letku
3. 1x Käsisuihku
4. 1x Hana
5. 1x Viemäriin kansi



Asennuksessa tarvittavat työkalut

1. Vesivaaka
2. Tiivistemassa
3. Säädetty jokoavain
4. Ruuvimeisseli
5. PTFE-teippi
6. Mittanauha

Valmistelu
Ammeen rakenne

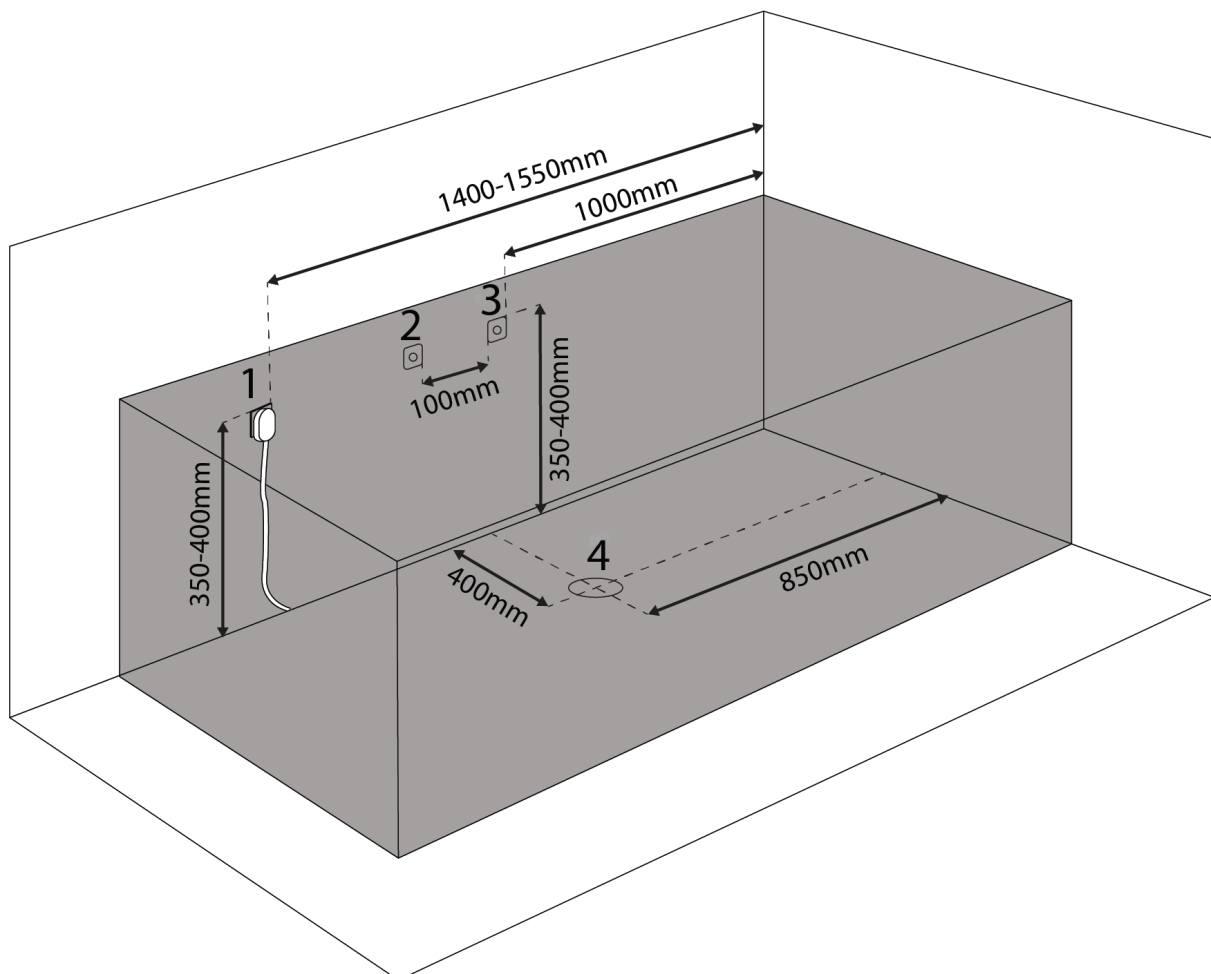


Osa	Kuvaus	Osa	Kuvaus
1	Niskatuki	2	Pienet suihkusuuttimet
3	Isot suihkusuuttimet	4	Vesikytkin
5	Imuaukko	6	On/Off-kytkin
7	Hana	8	Käsिसuihku
9	Säädin	10	Viemärin säätöventtiili
11	Vedenalainen valo		

Sähköiset parametrit

Nimellisjännite	Taajuus	Maksimi nimellisteho	Maksimivirta
230 V	50 Hz	2600 W	11.8 A

1. Asennuksen voi suorittaa vain ammattitaitoinen sähköasentaja. Varmista suojaus jäännösvirtasuojalla (RCD) (30 mA).
2. Virtalähteessä on oltava sähkövuotosuojaus. Sähkökaapelit tulee kiinnittää huolellisesti. Sähkökaapelin koon on oltava vähintään 2,5 mm². Virransyöttölaitteiston on täytettävä kyseisen maan kansalliset määräykset.
3. Varoitus: Sähkölaitteita käytettäessä on noudatettava seuraavia varotoimenpiteitä.
4. Vaarat: Sähköiskun vaara. Kytke virtapiirit vain, jos ne on suojattu vikavirtalaitteella (GFCI, Ground Fault Circuit Interrupter). Vikavirtalaite ei sisälly toimitukseen, mutta annamme sinulle kaikki tarvittavat tiedot siitä. Lainsäädäntö edellyttää vikavirtalaitetta.

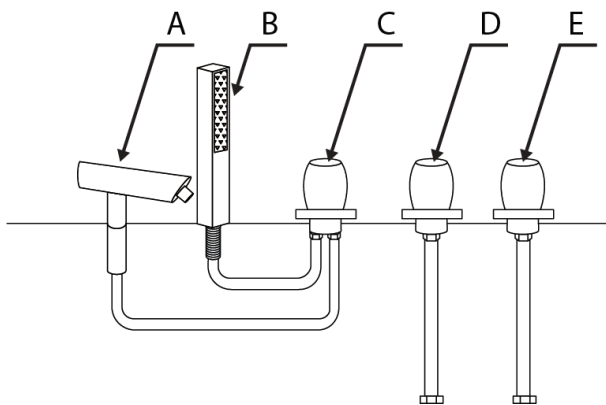


Liitännöiden suunnitelma

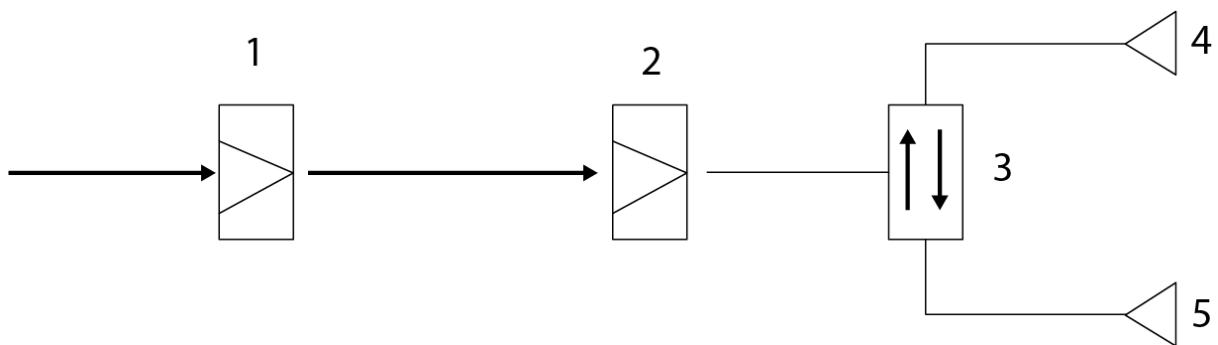
1. Pistorasia
2. Kuuma vesi
3. Kylmä vesi
4. Viemäri

Liitântäsuunnitelma

- A. Hana
- B. Käsisuihku
- C. Käsisuihkun ja hanan välinen kytkin
- D. Kuuman veden syöttö
- E. Kylmän veden syöttö

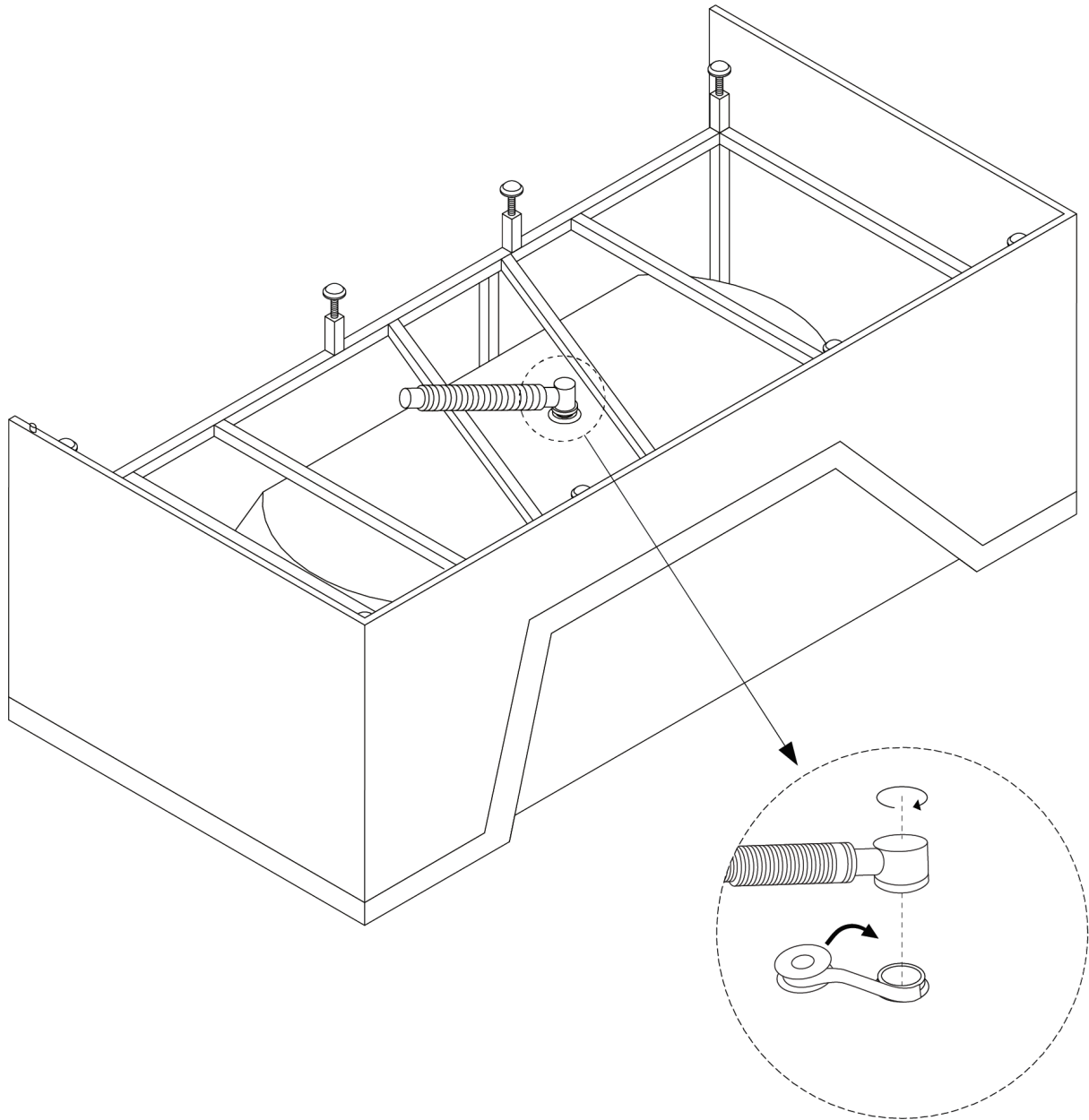


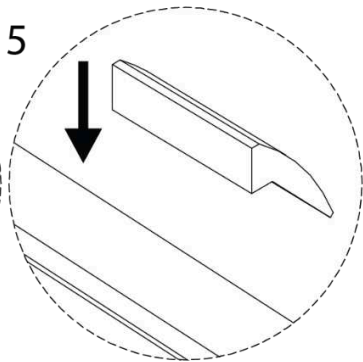
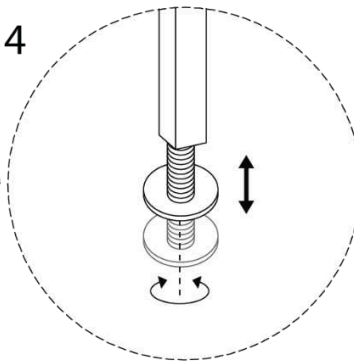
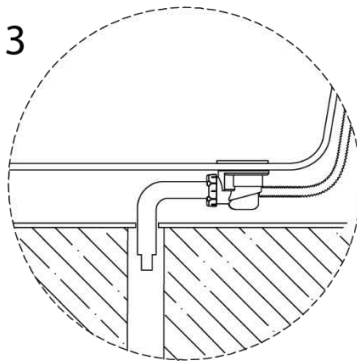
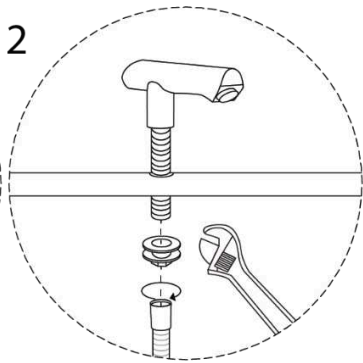
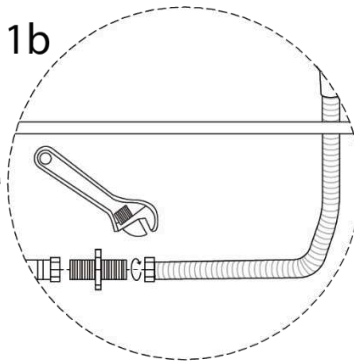
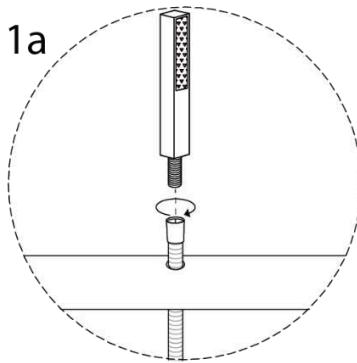
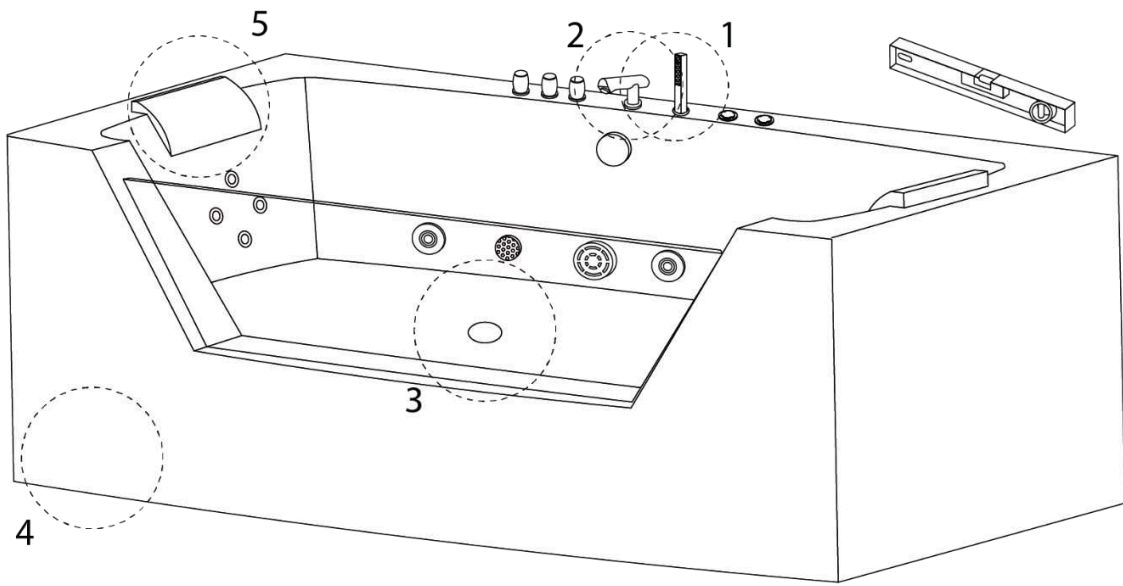
Vedenjakelu

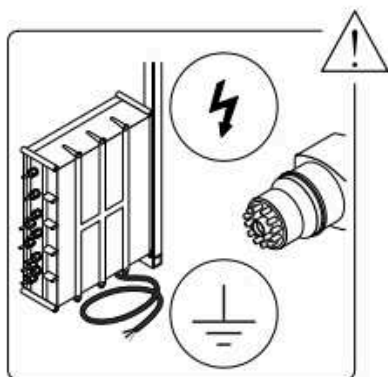
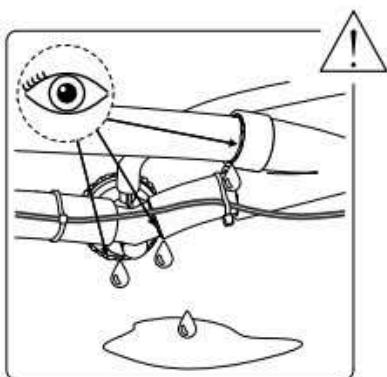
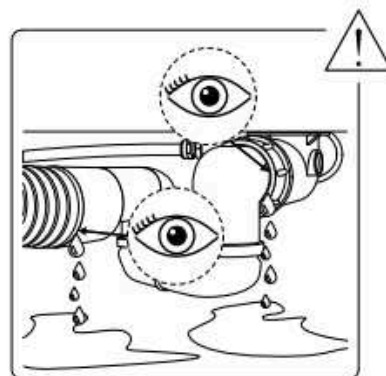
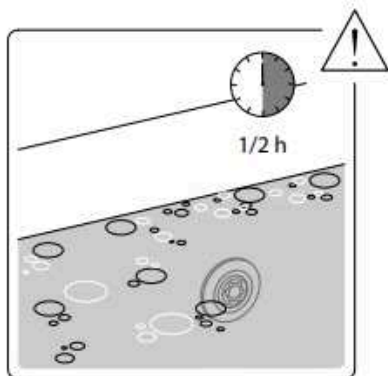
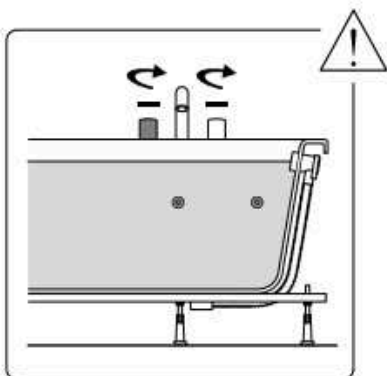
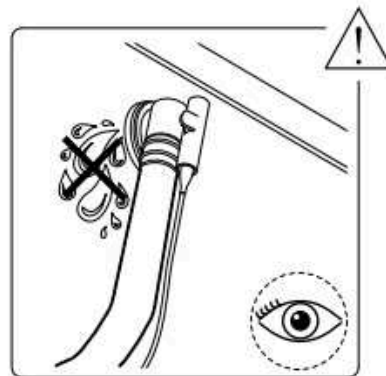
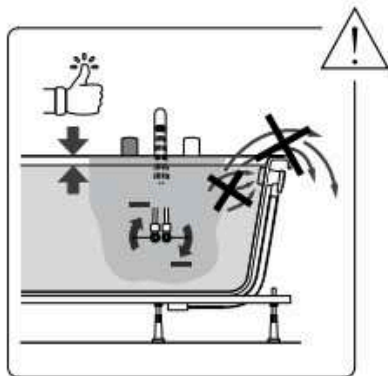
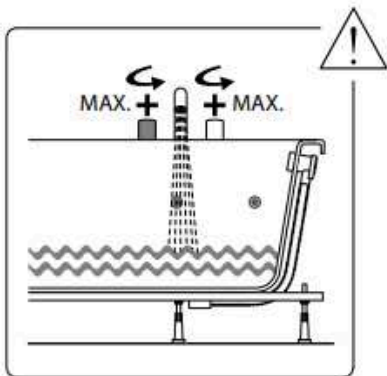
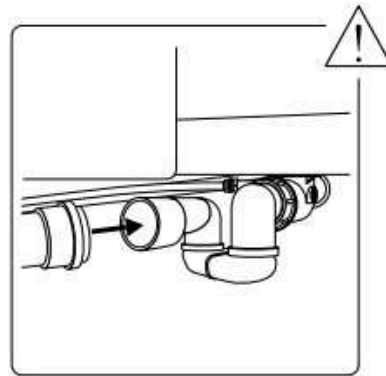
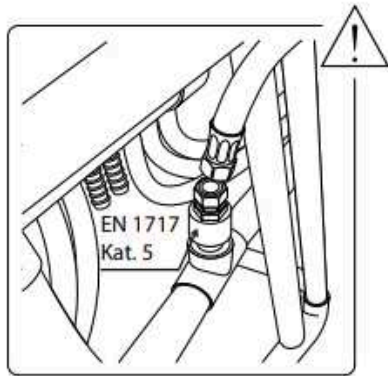
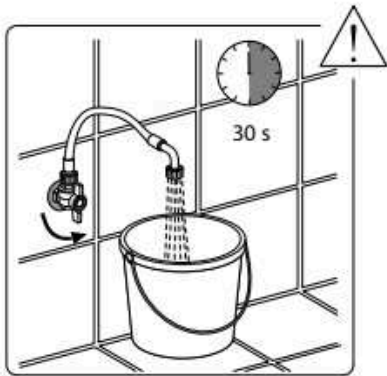


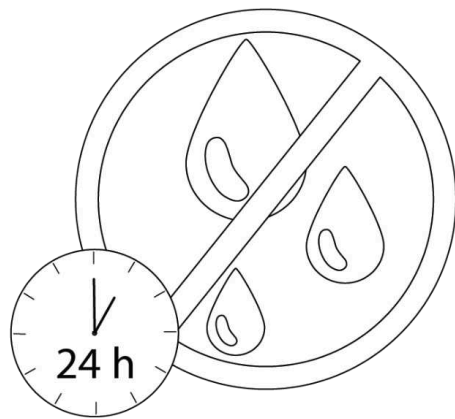
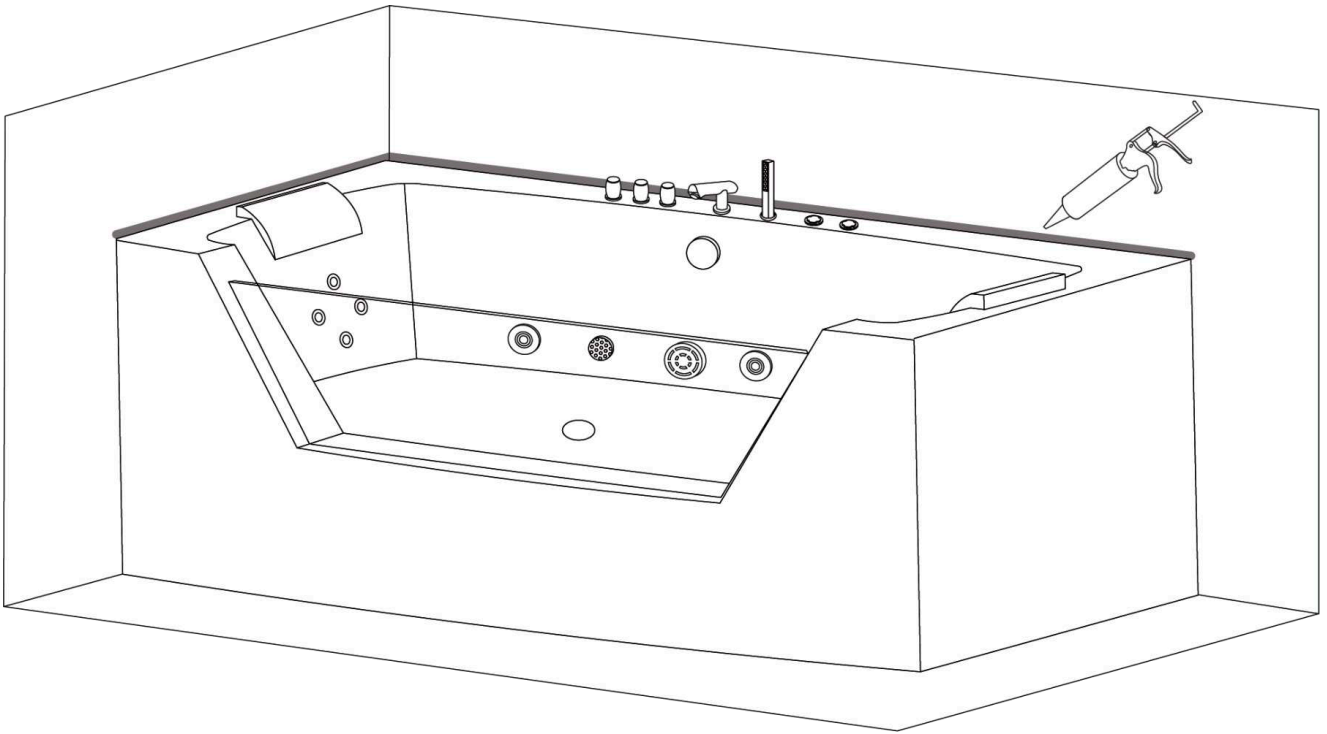
1. Kylmä vesi
2. Kuuma vesi

3. Käsisuihkun ja hanan välinen säädin
4. Käsisuihku
5. Hana









Ammeen käyttöohjeet

1. Kytke virta päälle.
2. Kytke kylmä- ja kuumavesivaraajat päälle ja säädä lämpötila.
3. Käytä ohjainta täyttääksesi ammeen vedellä joko hanasta tai käsisuihkusta.
4. Älä aktivoi vesipumppua ennen kuin vedenpinta ylittää suihkuihin.
5. Säädä hieronnan voimakkuutta poresäätimellä.
6. Kierrä käsisuihkupäätä hierontatehon säätämiseksi.
7. Valot syttyvät ja vaihtavat väriä automaattisesti, kun käynnistät vesipumpun. Valo sammuu, kun sammutat vesipumpun.
8. Sammuta pumppu painamalla porepainiketta. Tyhjennä vesi käytön jälkeen ja sammuta lopuksi virta.

Vianmääritys

Vika	Mahdolliset syyt	Kokeile tätä
Vesipumppu ei toimi	Virtapistoketta ei ole kytketty kunnolla; vuotosuojaa ei ole liitetty	Kytke virtapistoke ja liitä vuotosuoja
	Vesipumpun siipipyörä on tukkeutunut jollakin pienellä esineellä	Puhdista vesipumpun siipipyörä
	Vesipumppu on pois päältä	Käynnistä vesipumppu
	Virtapistoketta ei ole kytketty oikein	Kytke virtalähde oikein
	Vesipumppu on rikki	Korjaa tai vaihda vesipumppu
Hierontasuutti met eivät käynnisty	Jänniteongelma	Tarkista jännite
	On/Off-kytkin ei ole päällä tai se ei toimi	Tarkista kytkin tai vaihda se
	Veden kierto on estynyt	Puhdista vesiputket
Amme ei ole vaakasuorassa	Säädettäviä jalkoja ei ole asetettu oikein	Säädä jalat
Veden ylivuoto	Ylivuotoaukko on viallinen	Vaihda ylivuotoaukko
	Mutterit ovat löysät	Kiristä mutterit
	Liitäntäosia ei ole kiinnitetty oikein	Tarkasta liitososien kiinnitys ja niiden kunto

Puhdistus

1. Käytä puhdistukseen pehmeää liinaa ja vältä vahvojen, asetonia tai ammoniakkia sisältävien pesuaineiden käyttöä. Desinfiointi muurahaishapon tai formaldehydin avulla on ehdottomasti kielletty.
2. Jos pinnassa on naarmu, käytä K2000 hiomapaperia kiillottaaksesi pintaa varovasti. Kiillota sitä sen jälkeen edelleen hammastahnalla ja pehmeällä liinalla.
3. Kalkkikerrostumat voidaan poistaa etikalla tai sitruunamehulla.
4. Jos vedenkierto on estynyt, ruuvaa suuttimet ja putket irti ja puhdistane.
5. Kullattujen ja hopeoitujen osien tiheä puhdistus ei ole tarpeen.
6. Vältä kovien esineiden iskeytymistä ammeeseen. Vältä lisäksi suoraa kosketusta ammeen ja kuumien, yli 70 °C lämpötilan ylittävien esineiden (esim. savukkeiden) välillä. Älä puhdistane ammetta valkaisuainetta sisältävillä kemikaaleilla.
7. Tyhjennä vesi ja irrota virtajohto aina käytön jälkeen.
8. Vesihierontajärjestelmän puhdistaminen: Täytä amme 40 °C vedellä ja lisää 2 g pesuainetta litraa kohti. Anna hierontajärjestelmän käydä 5 minuuttia. Pysäytä se sen jälkeen ja tyhjennä vesi. Täytä amme uudelleen kylmällä vedellä ja aktivoi hierontajärjestelmä 3 minuutiksi. Voit nyt tyhjentää veden uudelleen, ja hierontasuuttimet on puhdistettu.

Varotoimenpiteet

1. Asennuksen saa suorittaa vain pätevä LVI-asentaja. Noudata käyttöohjeessa annettuja ohjeita tarkasti.
2. Sopivat letkut on hankittava paikallisesta kaupasta, ja asiantuntijan on liitettävä ne. Myyjän toimittamia liitännäletkuja ei saa missään tapauksessa käyttää.
3. Asiantuntijan on tarkistettava ja varmistettava kaikki letkut säännöllisesti ja ennen tuotteen ensimmäistä käyttökertaa. Letkut voivat irrota kuljetuksen aikana tai ajan myötä.
4. Tuotetta asennettaessa on varmistettava, että etupaneeli on aina helposti saavutettavissa huoltoa varten ja siinä tapauksessa, että osia on vaihdettava.
5. Sähkökomponenttien tulee noudattaa maan turvallisuusstandardeja. Asenna virtalähteeseen maavuotokatkaisija.
6. Älä käytä ylikuuma vettä, ja aktivoi suihkut vasta, kun vedenpinta on niiden yläpuolella.
7. Laite toimii nimellisjännitteellä 230 V. Irrota virtajohto aina käytön jälkeen.
8. Ammetta suositellaan käyttämään enintään 30 minuuttia kerrallaan.

9. Käynnistä laite ajoittain uudelleen.
10. Jos virtajohto on vaurioitunut, se on vaihdettava välittömästi.
11. Lue käyttöohjeet huolellisesti onnettomuuksien ja muiden vahinkojen välttämiseksi.
12. Puhdista ja huolla kylpyamme tai poreallas säännöllisesti valmistajan ohjeiden mukaisesti lian ja bakteerien kertymisen sekä homeen kasvun välttämiseksi.
13. Vian ilmetessä asiakas on vastuussa viallisen osan poistamisesta ja uudelleenasetuksesta.

Yleistä tietoa toiminnasta ja käytöstä

Tyhjennä vesi jokaisen kylvyn jälkeen. Älä koskaan jätä lapsia valvomatta ammeeseen.

Ammeen hoito-ohjeet

Pinnan puhdistaminen ja ylläpito on helppoa. Sileä pinta hylkii likaa. Säännöllinen puhdistus: käytä sientä, pehmeää liinaa ja hieman antistaattista puhdistusainetta. Näin amme säilyttää kiiltonsa ja hylkii likaa. Vältä hankaavien tai liuotinpohjaisten puhdistusaineiden käyttöä, sillä ne voivat vahingoittaa ammeen pintaa. Käytä pinttyneeseen likaan nestemäistä kodin puhdistusainetta, kuten astianpesuainetta tai saippualliuosta (noudata laimennusohjeita). Poista kalkkitahrat kalkinpoistoaineella. Huuhteleva aina huolellisesti runsaalla puhtaalla vedellä ja kiillota pehmeällä liinalla. Älä käytä happamia puhdistusaineita tai etikkapohjaisia puhdistusaineita.

Vauriot

Naarmuuntuneet pinnat tulisi käsitellä ammattilaisen toimesta. Käsittele liuotinvapaalla kiillotustahnalla. Tarvittaessa pinta voidaan käsitellä ensin märkähiomapaperilla (nro 800 ja sen jälkeen nro 1200) ennen kiillottamista. Älä käytä alkoholi- tai asetonipohjaisia liuottimia. Vääränlaisesta käsittelystä johtuvat vauriot eivät kuulu takuun piiriin.



Varoitus! Märkä pinta lisää liukastumisriskiä. Tämä pätee erityisesti saippuista, shampoista, kylpyöljyistä jne. käytettäessä.

Muutokset mahdollisia

Beliani pidättää oikeuden tehdä muutoksia tai muokkauksia tuotteeseen ilman ennakkoilmoitusta.

Maahantuoja:

Beliani GmbH, Haldenstrasse 5, 6340 Baar, Sveitsi

Suoritustasoilmoitus

1. Tuotetyypin yksilöllinen tunniste: Tuotenumero sivun alareunassa
2. Käyttötarkoitus: Kotitalouksien henkilökohtaiseen hygieniaan tarkoitettut poreammeet (PH)
3. Maahantuojaja:
Beliani GmbH
Haldenstrasse 5
6340 Baar
Sveitsi
Puhelin +41 43 5082233
4. Valtuutettu edustaja: %
5. Suoritustason jatkuvuuden arviointi- ja todentamisyjärjestelmä: Järjestelmä 4
 - a. Yhdenmukaistettu standardi: EN 12764:2015
Ilmoitettu laitos: %
 - b. Eurooppalainen arviointiasiakirja: %.
Eurooppalainen tekninen arviointi: %
Tekninen arviointilaitos: %
Ilmoitettu laitos: %
6. Ilmoitetut suoritusarvot:
Olmennaiset ominaisuudet Suorituskyky Yhdenmukaistettu tekninen eritelmä
Turvallisuus
Hiusten sotkeutuminen (HE) Hyväksytty EN 12764:2004+A1:2008
Puhdistettavuus (CA) Hyväksytty EN 12764:2004+A1:2008
Kestävyys (DA) Hyväksytty EN 12764:2004+A1:2008
7. Asianmukainen tekninen dokumentaatio tai erityinen tekninen dokumentaatio:
Raportin nro: 50074404 001 TÜV Rheinland

Edellä mainitun tuotteen suorituskyky vastaa ilmoitettuja suorituskykyjä.

Edellä mainittu maahantuojaja on yksin vastuussa suoritustasoilmoituksen laatimisesta asetuksen (EU) N:o 305/2011 mukaisesti.

Liite

Artikkelin numero	Artikkelin nimi	Teho
1213 MONTEGO	Poreamme	HE + CA + DA
1218 SAMANA	Poreamme	HE + CA + DA
1219 MARTINICA	Poreamme	HE + CA + DA
15497 TOCOA	Poreamme	HE + CA + DA
13720 SALAMANCA	Poreamme	HE + CA + DA
14894 MONTEGO	Poreamme	HE + CA + DA
1216 PARADISO	Poreamme	HE + CA + DA
1217 PARADISO	Poreamme	HE + CA + DA
1223 VARADERO	Poreamme	HE + CA + DA
14892 PARADISO	Poreamme	HE + CA + DA

Maahantuojan ja valmistajan puolesta allekirjoittanut:
Michael Widmer, toimitusjohtaja



6340 Baar, 13.05.2020

Français (FR)

Instructions d'assemblage de la baignoire

Fabricant et importateur :

Beliani GmbH, Haldenstrasse 5, 6340 Baar, Suisse



Mode d'emploi

Ce mode d'emploi doit être lu attentivement avant l'installation.

Inspection des marchandises à la livraison

Dès la réception, vérifiez que le produit est complet et qu'il n'est pas endommagé. Si vous constatez des dommages, informez-en immédiatement le vendeur. Nous ne sommes pas responsables des dommages survenus pendant ou après l'installation.

Soulever/déplacer la baignoire

Pour soulever ou déplacer la baignoire, saisissez-la par les bords – jamais par les tuyaux ou les pièces d'installation.

Pose de tuyaux

Les tuyaux ne doivent pas être posés sous la baignoire.

Protection contre les dommages

Utilisez des couvercles de protection appropriés pour éviter d'endommager les surfaces et les blocages causés par la saleté ou la poussière pendant le processus d'installation. Avant de commencer l'installation/le montage, pensez à recouvrir temporairement les éléments sensibles tels que les tuyaux d'évacuation, les buses et le panneau de commande avec des couvercles de protection.

Précautions particulières

Lors du nettoyage, veillez à ce que l'ammoniaque ou tout autre produit de nettoyage agressif similaire n'entre pas en contact avec les composants intégrés.

Raccordement électrique (230 V)

Cette tâche ne doit être entreprise que par un électricien qualifié. Veillez à ce que la protection soit assurée par un disjoncteur à courant résiduel (30 mA).

Règles de sécurité

Lors de l'installation de la baignoire, il y a plusieurs étapes simples à prendre en compte pour éviter les accidents potentiels. L'installation ne doit être effectuée que par des techniciens qualifiés. La baignoire doit être raccordée à une tension de 230 V CA à 50 Hz. L'appareil doit être alimenté par un disjoncteur différentiel dont le courant résiduel nominal ne dépasse pas 30 mA. En outre, l'installation électrique doit être équipée d'un disjoncteur garantissant la déconnexion de tous les pôles de l'alimentation électrique.

Une connexion d'égalisation de la tension doit être établie entre les éléments métalliques de la baignoire, conformément aux réglementations en vigueur dans chaque pays. Les parties comportant des éléments sous tension, à l'exception de celles fonctionnant sous une très basse tension de protection ne dépassant pas 12 V, doivent être inaccessibles à la personne se trouvant dans la baignoire. Les composants électriques doivent être placés ou fixés de manière à éviter qu'ils ne tombent dans la baignoire.



Raccords pour le massage ou le trop-plein de l'eau

Dès que l'arrivée d'eau se trouve sous le rebord de la baignoire, un raccordement doit être établi avec un dispositif de sécurité conforme à la norme EN 1717 (catégorie de fluide 5). Il peut s'agir par exemple d'un dispositif de sécurité à courant continu (p. ex. un interrupteur de type 1 avec une connexion permanente à l'atmosphère) en fonction des exigences spécifiques de l'installation. Ce raccordement doit être effectué exclusivement par un spécialiste qualifié. Ces instructions s'appliquent aux scénarios suivants :

- A. Toutes les baignoires remplies par le trop-plein.
- B. Toutes les baignoires qui sont raccordées et remplies par les buses de l'hydromassage dans le raccord en T existant.

Dans les deux cas, le raccordement doit être effectué à l'aide d'un tuyau élastique renforcé capable de transporter de l'eau chaude et froide prémélangée.

Débit : Maximum 20 litres/min (EN 200)

Capacité de débordement : Minimum 36 litres/min (EN 274)

Capacité de drainage : Minimum 48 litres/min (EN 274)

Installation permanente

Les trappes d'entretien doivent avoir des dimensions d'au moins 50 x 50 cm, afin de garantir l'accessibilité aux composants techniques tels que la pompe, le ventilateur, les vannes, la boîte

de raccordement et les autres connexions. Il est préférable d'utiliser des panneaux latéraux amovibles, mais il faut toujours privilégier les éléments rigides.

De plus, il est recommandé d'installer des trappes de maintenance de 20 x 20 cm pour le drainage et le trop-plein, assurant une bonne isolation acoustique lors de l'installation.

Pour une bonne ventilation, l'installation d'une grille de ventilation (non fournie) est absolument nécessaire. Selon le modèle de la baignoire, la grille de ventilation doit être placée dans le revêtement mural, à proximité des unités. À l'intérieur de la trappe, une grille de ventilation (minimum 150 cm) peut être installée pour alimenter le ventilateur d'air. Il est également possible de placer une trappe d'entretien/grille de ventilation dans la pièce adjacente.

Pour optimiser l'isolation acoustique, la grille de ventilation doit être installée avec des matériaux insonorisants. Il est également possible de placer la grille d'aération dans la pièce adjacente, si celle-ci s'y prête.

En cas d'espace limité : S'il n'y a pas suffisamment d'espace pour une trappe d'entretien, il est recommandé de procéder à un "montage en surface" afin de permettre le démontage complet de la baignoire si nécessaire. Assurez-vous que le tuyau d'évacuation, les connexions électriques et, le cas échéant, la ligne d'alimentation en eau peuvent être déconnectés par l'ouverture de ventilation. Scellez tout le périmètre du bord de la baignoire avec du silicone (sans acide acétique).

La baignoire doit être placée sur une surface qui supporte l'eau (par exemple le carrelage) et avec une légère pente vers l'extérieur, de sorte que, en cas de fuite éventuelle ou de chute d'eau, celle-ci ressorte sous la plinthe et ne s'accumule pas sous la baignoire. La garantie ne couvre pas les dégâts des eaux causés par une mauvaise installation. Il est recommandé de ne pas entourer complètement la baignoire d'un carrelage. La pompe à eau, la pompe à air et la désinfection à l'ozone nécessitent une circulation d'air.

L'eau ne doit pas être versée directement dans le support de douche pendant l'utilisation. La garantie ne couvre pas les dégâts des eaux causés par une mauvaise utilisation.

Les composants internes de la baignoire doivent être facilement accessibles, car la garantie ne couvre pas l'accès aux composants internes en cas de défaillance.

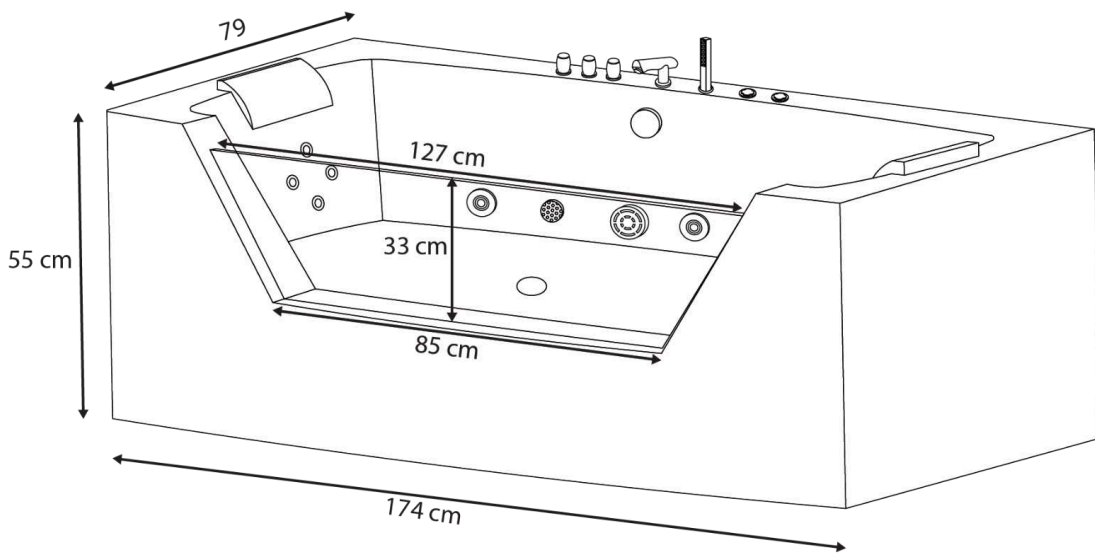
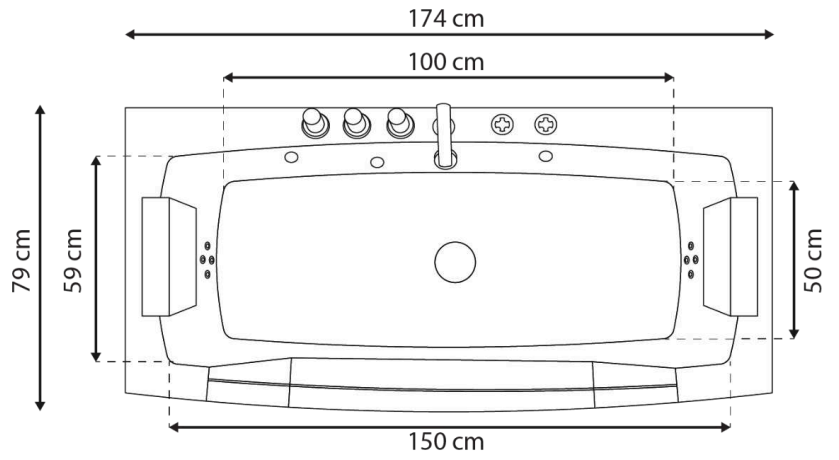
Vérification de l'étanchéité

Après avoir raccordé les tuyaux d'arrivée et d'évacuation d'eau de la baignoire, il faut la remplir et vérifier qu'elle ne présente pas de fuites. Vérifiez les fonctions suivantes à l'aide du panneau de commande :

- A. Système d'air
- B. Réglages de la pompe à eau

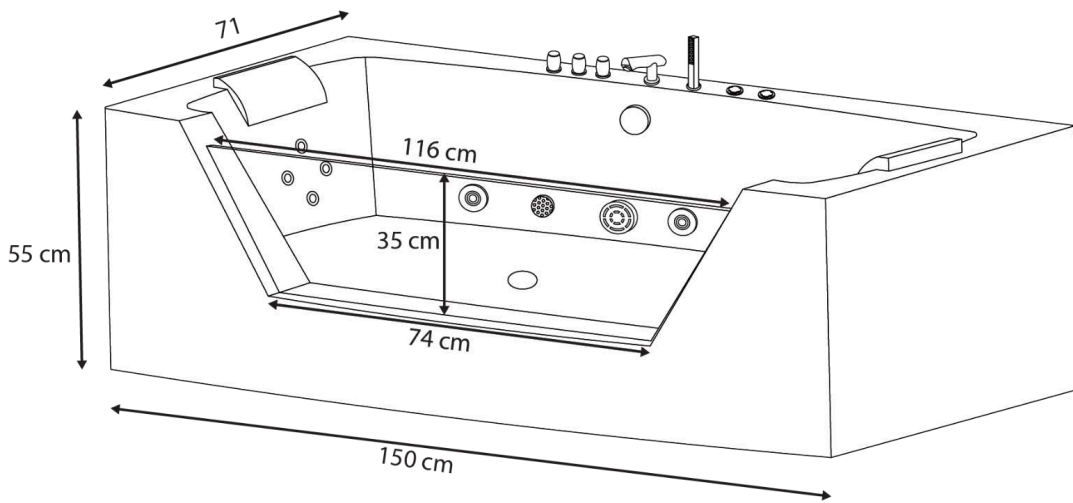
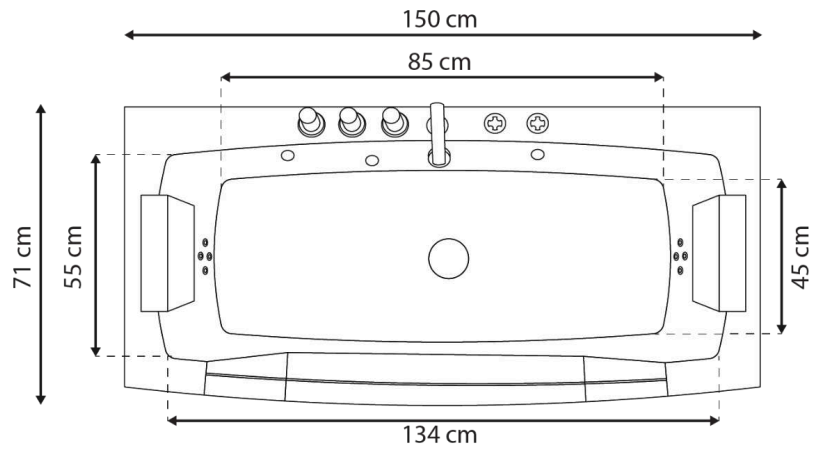
La température de l'eau de la baignoire ne doit pas dépasser 40 °C.

1740*790*550mm



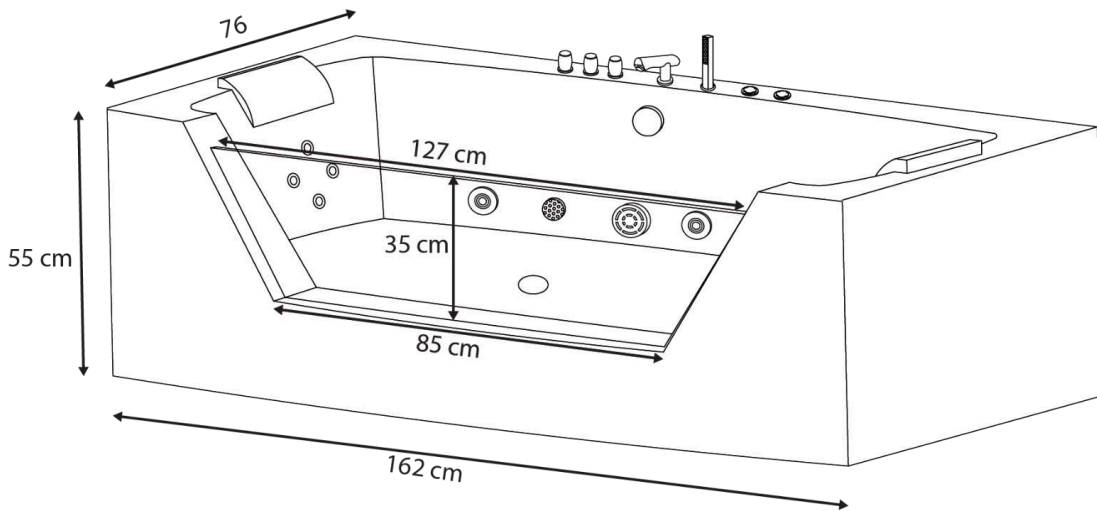
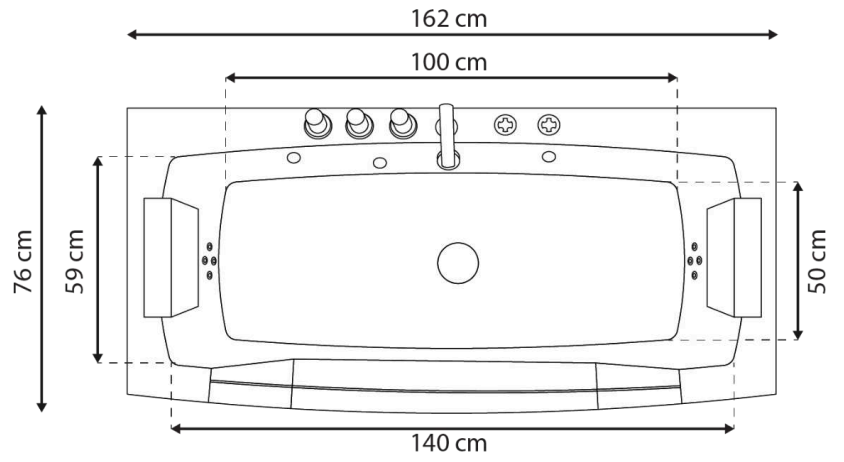
+/- 2 cm

1500*710*550mm



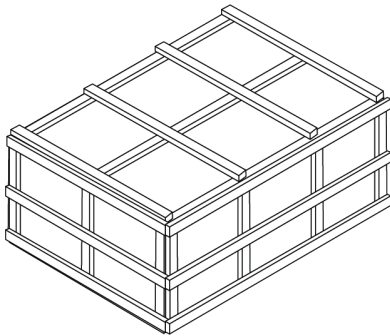
+/- 2 cm

1620*760*550mm

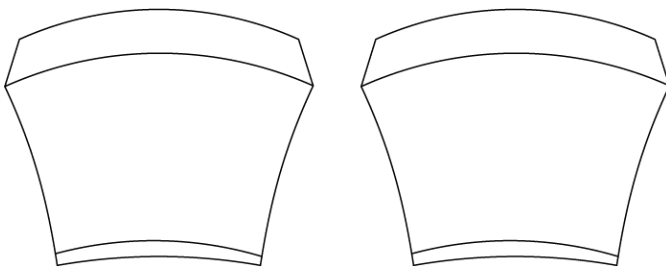


+/- 2 cm

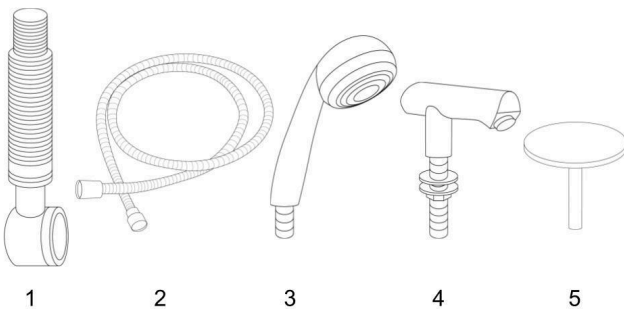
Contenu de l'emballage



Ouvrez l'emballage à l'aide de ciseaux;
Assurez-vous que toutes les pièces se trouvent à l'intérieur de l'emballage.

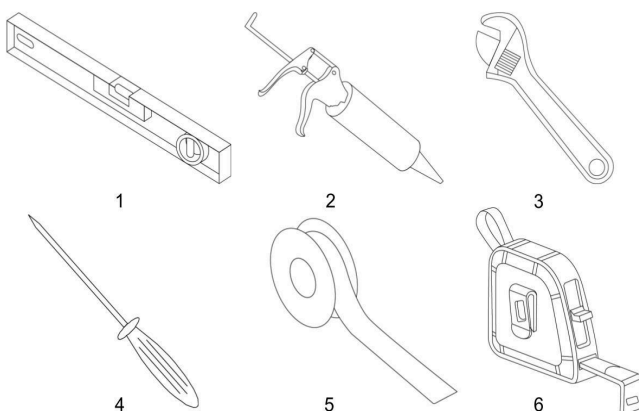


2 x Appui-tête



Boîte à accessoires

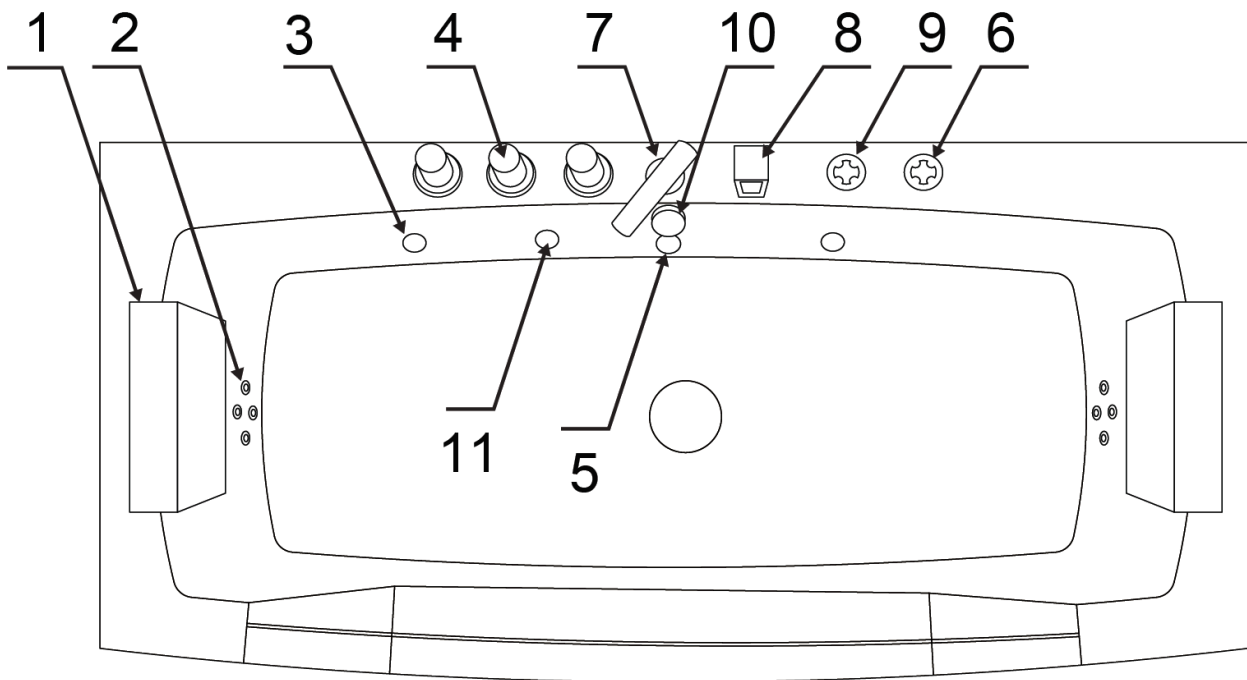
1. 1x Drainage
2. 1x Tuyau de douchette
3. 1x Douchette
4. 1x Cascade d'entrée d'eau
5. 1x Couvercle de vidange



Outils nécessaires à l'assemblage

1. Niveau à bulle
2. Produit d'étanchéité
3. Clé à molette
4. Tournevis
5. Ruban d'étanchéité PTFE
6. Ruban de mesure

Préparation
Assemblage de la baignoire

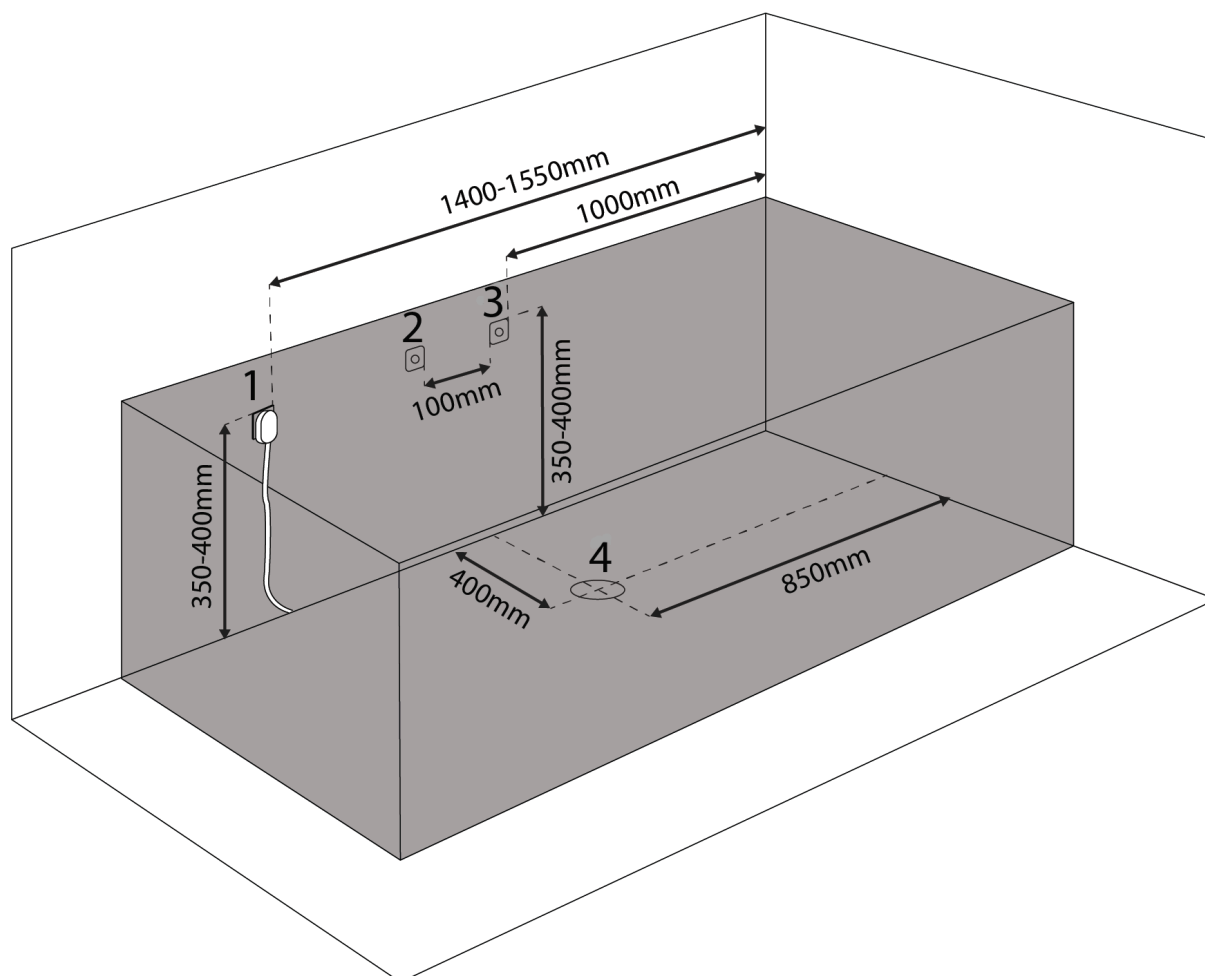


Article	Description de l'article	Article	Description de l'article
1	Appui-tête	2	Petits Jets
3	Grands Jets	4	Robinet
5	Aspiration	6	Interrupteur Marche/Arrêt
7	Cascade	8	Pommeau de douche
9	Régulateur	10	Régulateur de Vidange
11	Lumière sous-marine		

Paramètres électriques

Tension nominale	Fréquence nominale	Max. Puissance nominale	Puissance max. Puissance nominale
230 V	50 Hz	2600 W	11.8 A

1. L'opération ne doit être effectuée que par un électricien qualifié. Assurer la protection par un disjoncteur différentiel (30 mA).
2. Une protection contre les fuites électriques doit être présente dans l'alimentation électrique. Les câbles électriques doivent être fixés. La taille du câble électrique ne doit pas être inférieure à 2,5 mm². Le matériel d'alimentation doit être conforme aux réglementations nationales.
3. Avertissement : Lorsque vous utilisez des appareils électriques, prenez les mesures de sécurité suivantes.
4. Dangers : Risque d'électrocution. Ne branchez les circuits que s'ils sont protégés par un DDFT (disjoncteur différentiel de fuite à la terre). Un DDFT n'est pas inclus, mais nous vous fournirons toutes les informations nécessaires à ce sujet. Un DDFT est exigé par la loi.

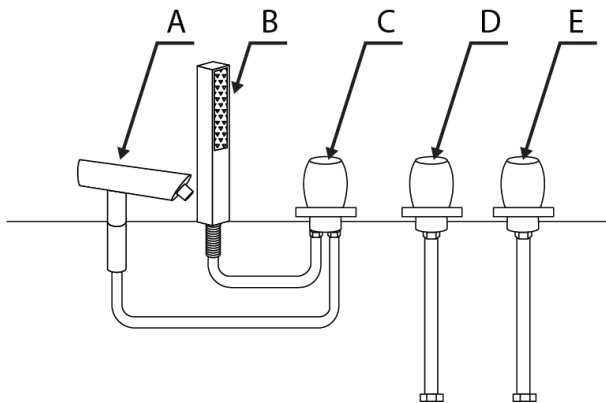


Plan de sortie

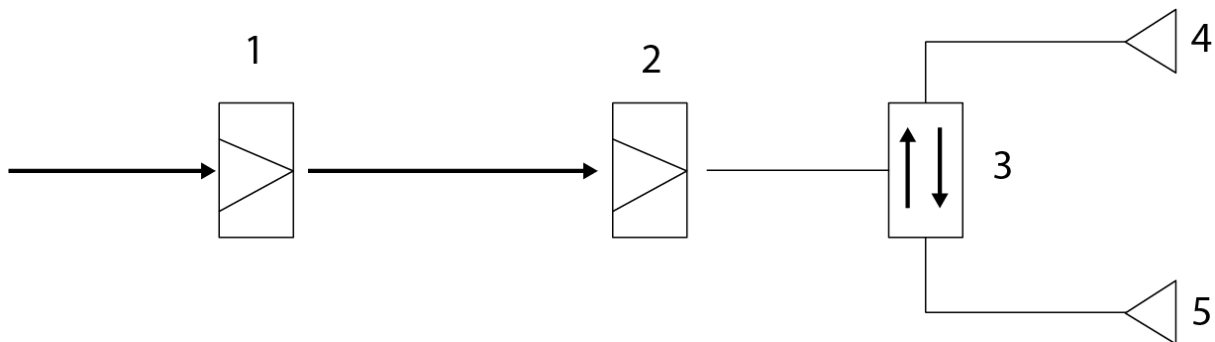
1. Prise électrique
2. Eau chaude
3. Eau froide
4. Trou d'évacuation

Plan de connexion

- A. Robinet cascade
- B. Douchette
- C. Commutation entre la douchette et le robinet
- D. Entrée d'eau chaude
- E. Entrée d'eau froide

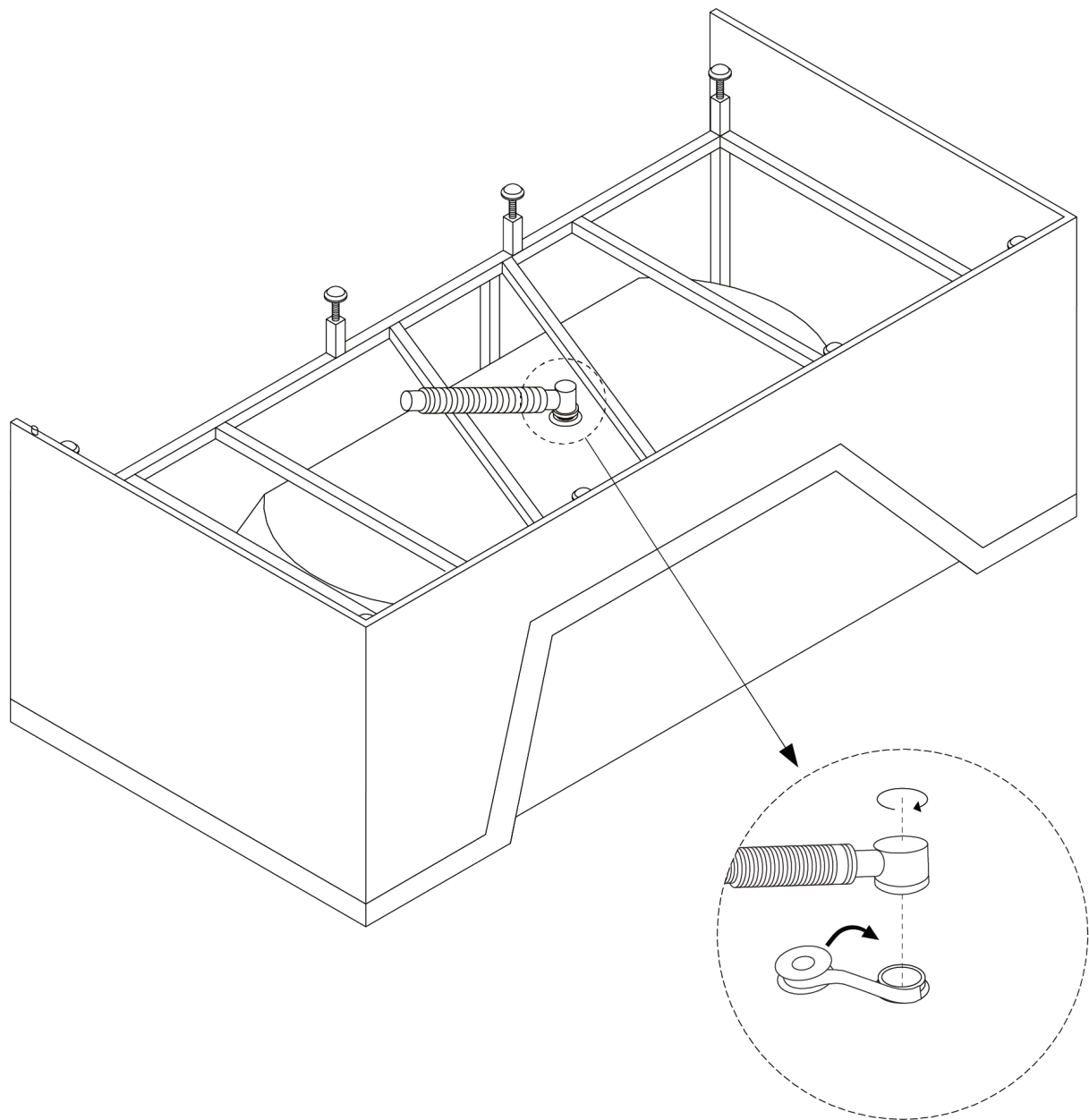


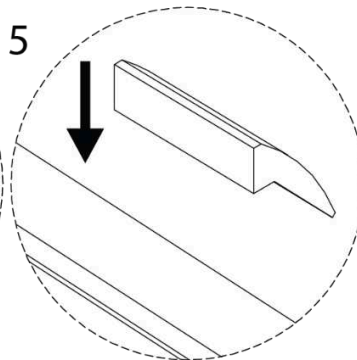
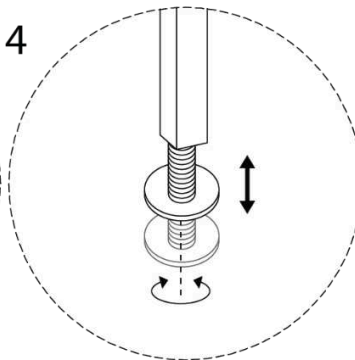
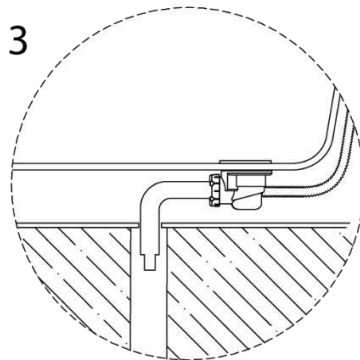
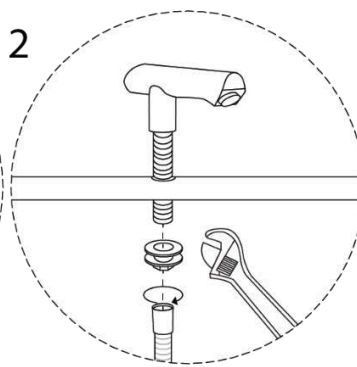
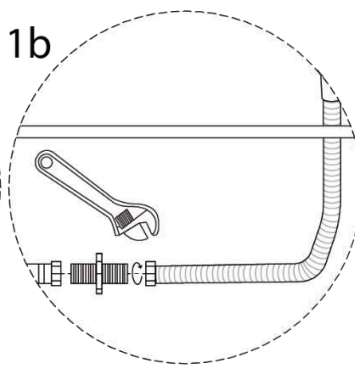
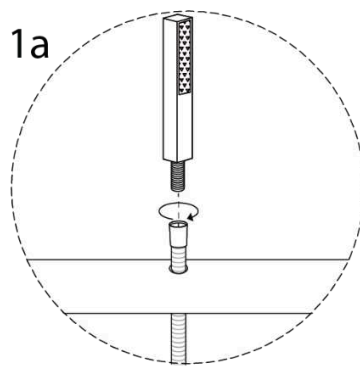
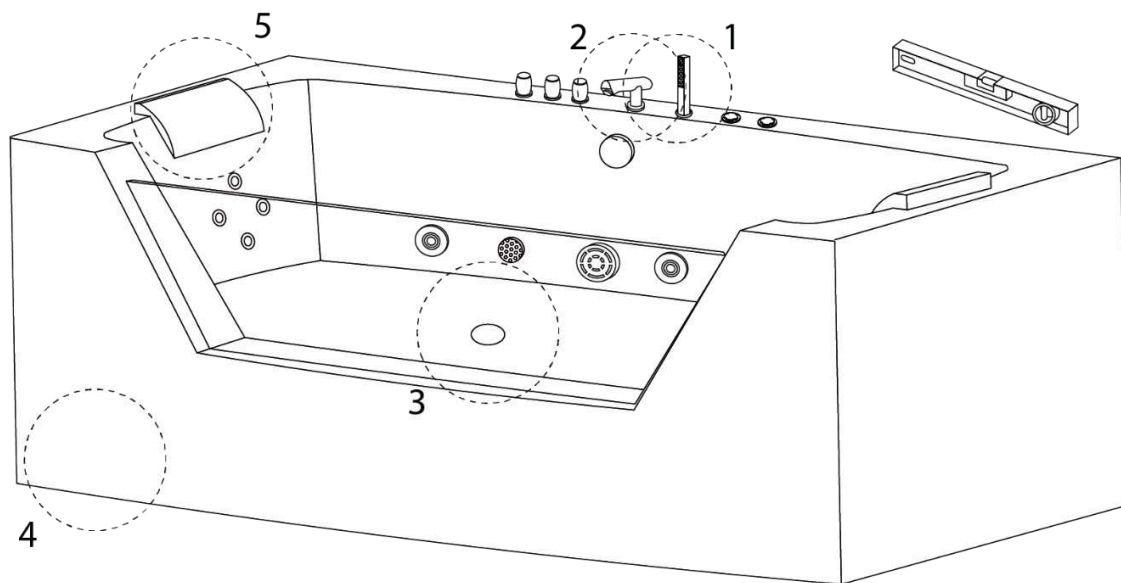
Approvisionnement en eau

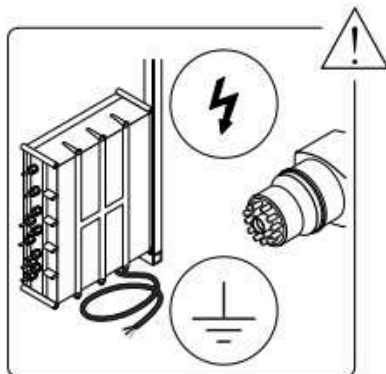
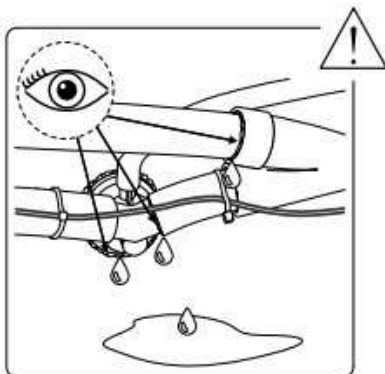
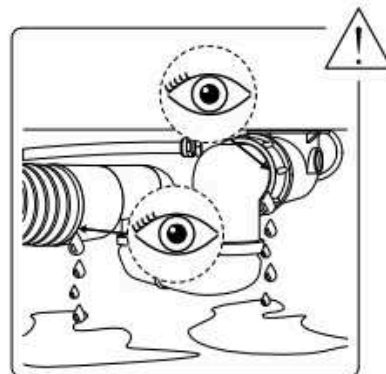
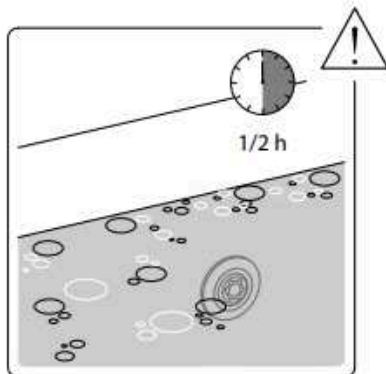
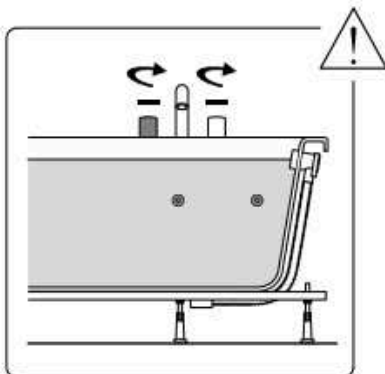
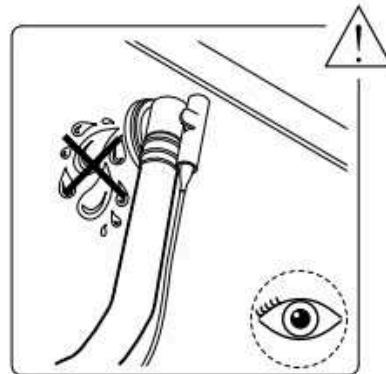
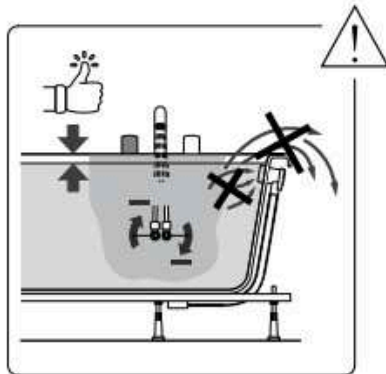
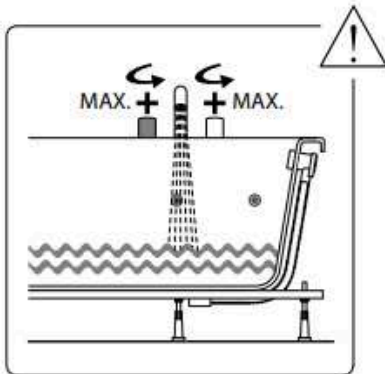
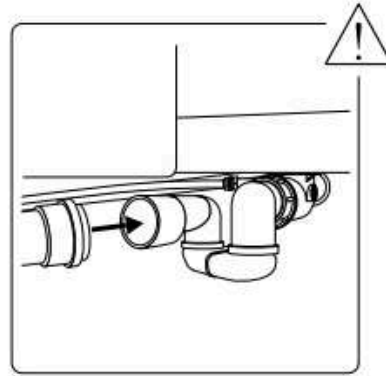
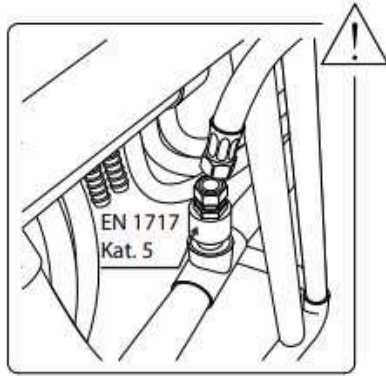
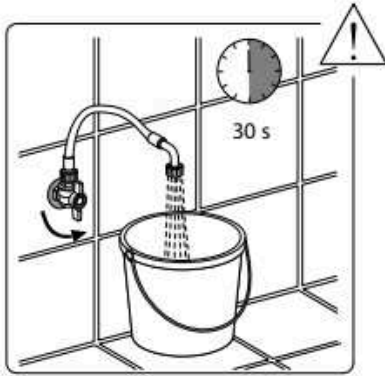


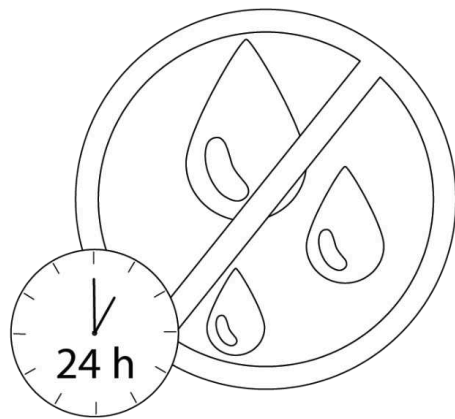
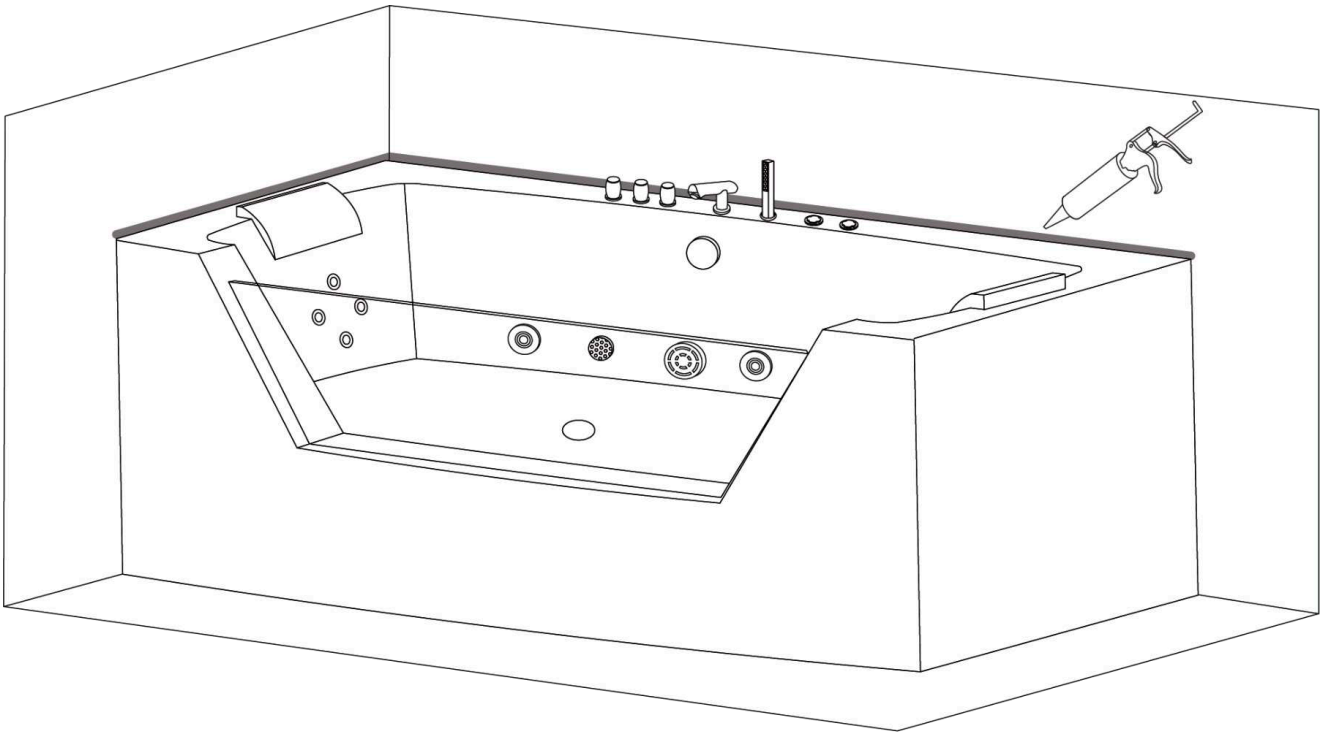
1. Eau froide

2. Eau chaude
3. Commutation entre la douchette et le robinet
4. Douchette
5. Robinet cascade









Instructions sur le fonctionnement de la baignoire

1. Mettez l'appareil en marche.
2. Ouvrez les robinets d'eau froide et d'eau chaude puis ajustez la température.
3. Utilisez le régulateur pour remplir la baignoire avec de l'eau provenant du robinet ou de la douchette.
4. N'activez pas la pompe à eau tant que le niveau d'eau n'atteint pas les jets.
5. Utilisez le régulateur d'air pour régler l'intensité du massage.
6. Tournez la douchette pour ajuster les effets du massage.
7. La lumière s'allume et change de couleur automatiquement lorsque vous activez la pompe à eau. La lumière s'éteint lorsque vous arrêtez la pompe à eau.
8. Appuyez sur l'interrupteur à air pour éteindre la pompe. Videz l'eau après utilisation et éteignez l'appareil.

Dépannage

Problème	Raisons possibles	Essayer ceci
La pompe à eau ne fonctionne pas	La prise d'alimentation n'est pas correctement branchée ; la protection contre les fuites n'est pas branchée	Brancher la prise d'alimentation et connecter la protection contre les fuites
	La turbine de la pompe à eau est bloquée par un petit objet	Nettoyer la turbine de la pompe à eau
	La pompe à eau est arrêtée	Mettre la pompe à eau en marche
	La prise d'alimentation n'a pas été insérée correctement	Brancher correctement l'alimentation électrique
	Pompe à eau cassée	Réparer ou remplacer la pompe à eau
Les jets de massage ne démarrent pas	Problème de tension	Vérifier la tension
	Le bouton Marche/Arrêt n'est pas allumé ou ne fonctionne pas	Vérifier l'interrupteur ou le remplacer
	La circulation de l'eau est bloquée	Nettoyer les tuyaux d'eau

La baignoire n'est pas à niveau	Les pieds réglables ne sont pas réglés correctement	Ajuster les pieds
L'eau déborde	L'évacuation du trop-plein est défectueuse	Remplacer le trop-plein
	Les écrous sont desserrés	Serrer les écrous
	Les pièces de raccordement ne sont pas correctement fixées	Vérifier l'adhérence des pièces de raccordement

Nettoyage

1. Utilisez un chiffon doux pour le nettoyage, en évitant d'utiliser des détergents puissants contenant de l'acétone ou de l'ammoniaque. Il est strictement interdit de désinfecter à l'aide d'acide formique ou de formaldéhyde.
2. Si la surface présente une rayure, utilisez du papier de verre humide de grain 2000 pour la polir délicatement. Procédez ensuite à un nouveau polissage en utilisant du dentifrice et un chiffon doux.
3. Les dépôts de calcaire peuvent être nettoyés avec du vinaigre ou du jus de citron.
4. Si la circulation de l'eau est bloquée, dévissez les buses et les tuyaux et nettoyez-les.
5. Un nettoyage fréquent n'est pas nécessaire pour les composants plaqués or et argent.
6. Évitez de frapper la baignoire avec des objets durs. En outre, évitez tout contact direct entre la baignoire et des objets chauds dont la température dépasse 70 °C (p. ex. des cigarettes). Ne nettoyez pas la baignoire avec des produits chimiques contenant de l'eau de Javel.
7. Videz l'eau et débranchez le cordon d'alimentation après utilisation.
8. Nettoyage du système de massage à l'eau : Remplissez la baignoire avec de l'eau chaude à 40 °C et ajoutez 2 g de détergent par litre. Laissez le système de massage fonctionner pendant cinq minutes. Arrêtez-le ensuite et videz l'eau. Remplissez à nouveau la baignoire d'eau froide et activez le système de massage durant trois minutes. Vous pouvez à nouveau vider l'eau et les buses de massage sont nettoyées.

Précautions

1. L'installation doit être effectuée par un artisan plombier qualifié. Veuillez suivre les instructions fournies dans le manuel.
2. Les tuyaux appropriés doivent être achetés auprès de fournisseurs locaux et raccordés par un spécialiste. Les tuyaux de raccordement fournis par le vendeur ne doivent en aucun cas être utilisés

3. Tous les tuyaux doivent être vérifiés et scellés par un spécialiste avant d'utiliser le produit et doivent être vérifiés régulièrement. Les tuyaux peuvent se débrancher pendant le transport ou au fil du temps.
4. Lors de l'installation du produit, le client doit s'assurer que le panneau avant est facilement accessible à tout moment pour permettre l'entretien et le remplacement des pièces.
5. Les composants électriques doivent être conformes aux normes de sécurité nationales. Installez un disjoncteur différentiel pour l'alimentation électrique.
6. Ne faites pas couler d'eau surchauffée et n'activez les jets qu'une fois que le niveau de l'eau est au-dessus des composants électriques.
7. L'appareil fonctionne à une tension nominale de 230V. Débranchez l'alimentation électrique après utilisation.
8. Il est recommandé de ne pas rester dans la baignoire plus de 30 minutes.
9. Redémarrer l'appareil de temps en temps.
10. Si le cordon d'alimentation est endommagé, il doit être remplacé immédiatement.
11. Lisez attentivement le manuel d'utilisation pour éviter les accidents et autres dommages.
12. Nettoyez et entretenez régulièrement la baignoire ou le bain à remous conformément aux instructions du fabricant afin d'éviter l'accumulation de saletés et de bactéries ainsi que la formation de moisissures.
13. En cas de problème, le client est responsable de la dépose de la pièce défectueuse et de son montage.

Informations générales sur la fonctionnalité et l'utilisation

Videz l'eau après chaque bain. Ne laissez jamais les enfants sans surveillance dans la baignoire.

Instructions d'entretien de la baignoire

La surface est facile à nettoyer et à entretenir. La surface lisse attire difficilement la saleté. Entretien régulier : éponge, chiffon doux, un peu de produit de nettoyage antistatique. De cette manière, la baignoire conserve son éclat et la saleté ne s'incruste pas. Évitez d'utiliser des nettoyeurs abrasifs ou à base de solvants qui pourraient endommager la surface de la baignoire. En cas de salissures tenaces, utilisez un nettoyant ménager liquide tel qu'un détergent à vaisselle ou une solution savonneuse (respectez les instructions de dilution). Enlevez les taches de calcaire à l'aide d'un produit anticalcaire. Rincez toujours abondamment à l'eau claire et polissez avec un chiffon. N'utilisez pas de produits de nettoyage acides ou à base de vinaigre.

Dommmages

Les surfaces rayées doivent être traitées par un professionnel. Le traitement se fait avec une pâte à polir sans solvant. Si nécessaire, la surface peut être traitée au papier de verre humide (n°800, puis n°1200) avant d'être polie. Ne pas utiliser de solvants à base d'alcool ou d'acétone. Les dommages résultant d'une mauvaise manipulation par l'utilisateur ne sont pas couverts par notre garantie.



Attention ! Lorsqu'elle est mouillée, la surface présente un risque accru de glissade. C'est surtout le cas lors de l'utilisation de savons, shampooings, huiles de bain, etc.

Sous réserve de modifications

Beliani se réserve le droit d'apporter des changements ou des modifications au produit sans préavis.

Importateur :

Beliani GmbH, Haldenstrasse 5, 6340 Baar, Suisse

Déclaration de performances

1. Identifiant unique du type de produit : Numéro de produit au bas de la page
2. Utilisation prévue : baignoires d'hydromassage à usage domestique pour l'hygiène personnelle (PH)
3. Importateur :
Beliani GmbH
Haldenstrasse 5
6340 Baar
Suisse
Téléphone +41 43 5082233
4. Représentant autorisé : %
5. Système d'évaluation et de vérification de la constance des performances :
Système 4
 - a. Norme harmonisée : EN 12764:2015
Organisme notifié : %
 - b. Document d'évaluation européen : %
Évaluation technique européenne : %
Organisme d'évaluation technique : %
Organisme notifié : %
6. Performances déclarées :
Caractéristiques essentielles Performance Spécification technique harmonisée
Sécurité contre les
Capture des cheveux (HE) Réussite EN 12764:2004+A1:2008
Nettoyabilité (CA) Réussite EN 12764:2004+A1:2008
Durabilité (DA) Réussite EN 12764:2004+A1:2008
7. Documentation technique appropriée ou documentation technique spécifique :
Rapport N° : 50074404 001 TÜV Rheinland

Les performances du produit susmentionné correspondent aux performances déclarées. L'importateur susmentionné est seul responsable de la préparation de la déclaration de performance conformément au règlement (UE) n° 305/2011.

Annexe

Numéro d'article	Nom de l'article	Puissance de sortie
1213 MONTEGO	Baignoire avec fonction de massage	HE + CA + DA
1218 SAMANA	Baignoire avec fonction de massage	HE + CA + DA
1219 MARTINICA	Baignoire avec fonction de massage	HE + CA + DA
15497 TOCOA	Baignoire avec fonction de massage	HE + CA + DA
13720 SALAMANCA	Baignoire avec fonction de massage	HE + CA + DA
14894 MONTEGO	Baignoire avec fonction de massage	HE + CA + DA
1216 PARADISO	Baignoire avec fonction de massage	HE + CA + DA
1217 PARADISO	Baignoire avec fonction de massage	HE + CA + DA
1223 VARADERO	Baignoire avec fonction de massage	HE + CA + DA
14892 PARADISO	Baignoire avec fonction de massage	HE + CA + DA

Signé pour l'importateur et au nom du fabricant par :
Michael Widmer, Directeur Général



6340 Baar, 13.05.2020

Deutsch (DE)

Montageanleitung zur Badewanne

Hersteller und Importeur:

Beliani GmbH, Haldenstrasse 5, 6340 Baar, Schweiz



Gebrauchsanleitung:

Diese Gebrauchsanleitung unbedingt vor Installation sorgfältig lesen.

Prüfung des Lieferumfangs und des Lieferzustands:

Sendung nach Erhalt auf Vollständigkeit und evtl. Beschädigungen prüfen. Erkennbare Schäden sollten umgehend dem Händler gemeldet werden. Wir übernehmen keine Haftung für Schäden, die während oder nach der Installation/dem Einbau entstanden sind.

Anheben/Verschieben:

Wanne zum Anheben/Verschieben nur am Wannensrand fassen – niemals an Schläuchen oder Installationselementen.

Verlegen von Leitungen:

Unter der Wanne dürfen keine Leitungen verlegt werden.

Schutz vor Beschädigungen:

Beschädigung von Oberflächen und Verstopfung durch Bauschmutz durch geeignete Schutzabdeckung vermeiden. Empfindliche Komponenten (Abfluss, Düsen, Bedienelemente) vorübergehend mit Schutzabdeckung versehen, bevor mit der Installation/dem Einbau begonnen wird.

Besondere Vorsichtsmaßnahme:

Beim Reinigen der Fliesen darf kein Ammoniak oder ähnlich aggressives Reinigungsmittel mit den Einbauteilen in Berührung kommen.

Elektrischer Anschluss (230 V):

Der Anschluss ist zwingend durch einen qualifizierten Fachmann vorzunehmen, Absicherung über FI-Schutzschalter (30 mA).

Sicherheitsbestimmungen:

Bei der Installation der Badewanne sind einige einfache Schritte zu beachten, um möglichen Unfällen vorzubeugen. Die Installation darf nur von qualifizierten Elektrotechnikern durchgeführt werden. Die Badewanne muss an eine Spannung von 230 V AC bei 50 Hz angeschlossen werden. Das Gerät muss über eine Fehlerstrom-Schutzeinrichtung mit einem Ansprechfehlerstrom gespeist werden, der 30 mA nicht überschreitet. Außerdem muss die elektrische Installation mit einem Stromschalter ausgestattet sein, um die allpolige Abschaltung vom Netz sicherzustellen. Zwischen den Metallelementen des Bades ist eine Spannungsausgleich Verbindung gemäß den entsprechenden Vorschriften in jedem Land herzustellen.

Teile mit spannungsführenden Komponenten, außer den Teilen mit einer Schutzkleinspannung, die 12 V nicht überschreitet, müssen für die Person in der Badewanne unzugänglich sein. Teile mit elektrischen Komponenten müssen so positioniert oder befestigt werden, dass sie nicht in die Badewanne hineinfallen können.



Wasseranschlüsse für Whirlpool oder Überlauf

Sobald der Wasserlauf unterhalb des Wannenrandes liegt, muss der Anschluss mittels einer Sicherheitseinrichtung nach EN 1717 (Flüssigkeitskategorie 5) erfolgen. Das kann z.B. eine Sicherheitseinrichtung DC (z.B. Rohrunterbrecher Typ A 1 mit ständiger Verbindung zur Atmosphäre) unter Berücksichtigung der Einbauanforderungen sein! Der Anschluss ist zwingend durch einen qualifizierten Fachmann vorzunehmen. Dies ist zu berücksichtigen bei:

- A. allen Wannen, die über den Überlauf befüllt werden.
- B. alle Wannen, die über die Whirlpool-Düsen in der vorhandenen T-Steckdose angeschlossen und befüllt werden.

Der Anschluss muss in beiden Varianten durch eine armierte elastische Rohrleitung mit bereits gemischtem Kalt- und Warmwasser erfolgen.

Zulaufleistung: Maximum 20 Liter/min (EN 200)

Überlaufleistung: Minimum 36 Liter/min (EN 274)

Ablaufleistung: Minimum 48 Liter/min (EN 274)

Dauerhafte Einbau:

Wartungsluken von mindestens 50 x 50 cm sind so anzubringen, dass technische Teile (Pumpe, Gebläse, Ventile, Anschlusskasten, weitere Anschlüsse) zugänglich bleiben. Abnehmbare Seitenwände sind ideal und festen Elementen stets vorzuziehen.

Zusätzlich wird empfohlen, Wartungsluken für Ablauf/Überlauf mit einer Größe von 20 x 20 cm zu installieren, um eine ordnungsgemäße Geräuschdämmung während der Installation sicherzustellen.

Für eine ordnungsgemäße Belüftung ist die Installation eines Lüftungsgitters (nicht im Lieferumfang enthalten) unbedingt erforderlich. Je nach Ausführung der Wanne wird das Lüftungsgitter in der Mauerverkleidung in der Nähe der Geräte platziert. Ein Lüftungsgitter (mind. 150 cm) für Luftzufuhr des Gebläses kann innerhalb der Wartungsluke angebracht werden. Alternativ kann auch die Wartungsklappe/das Lüftungsgitter im Nebenraum platziert werden.

Um die Schalldämmung zu optimieren, sollten schalldämmende Materialien zur Installation des Lüftungsgitters benutzt werden. Alternativ kann das Lüftungsgitter auch im angrenzenden Nebenraum platziert werden.

Bei Platzmangel: Falls zu wenig Platz für die Wartungsluke vorhanden ist, wird eine "Oberflächenmontage" empfohlen, damit bei Bedarf die komplette Wanne abgebaut werden kann. Stellen Sie sicher, dass sich Abflussleitung, elektrische Anschlüsse und ggfs. die Wasserleitung über die Lüftungsöffnung abkuppeln lassen. Dichten Sie den Wannrand rundum mit Silikon (essigsäurefrei) ab.

Die Badewanne sollte auf einem wasserfesten Untergrund (z.B. Fliesen) und mit leichter Neigung nach außen platziert werden, damit bei einem eventuellen Leck oder Wassereintritt das Wasser unter der Verkleidung austreten und sich nicht unter der Badewanne ansammeln kann. Die Garantie deckt keine Wasserschäden ab, die durch eine mangelhafte Installation verursacht werden. Man sollte die Whirlpool-Badewanne nicht vollständig mit Fliesen umranden. Die Wasserpumpe, Luftpumpe und Ozon-Desinfektionsanlage benötigen eine ständige Luftzufuhr.

Während des Gebrauchs sollte kein Wasser direkt in die Duschhalterung gegossen werden. Die Garantie deckt keine Wasserschäden ab, die durch unsachgemäßen Gebrauch auftreten. Die internen Komponenten der Badewanne müssen leicht zugänglich sein, andernfalls umfasst die Garantie den Zugang zu diesen Komponenten im Falle eines Defekts nicht.

Prüfung der Dichtigkeit:

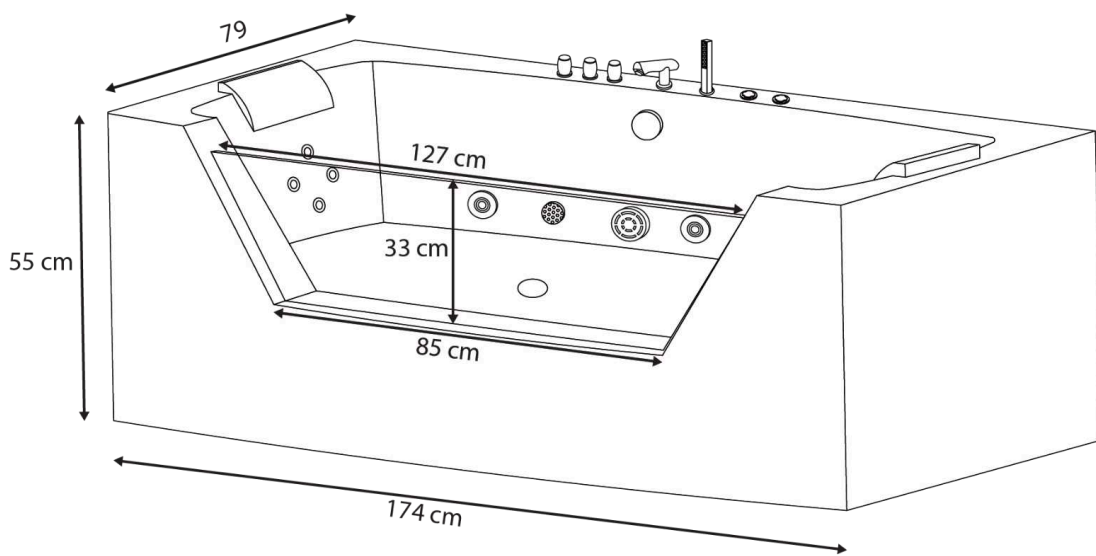
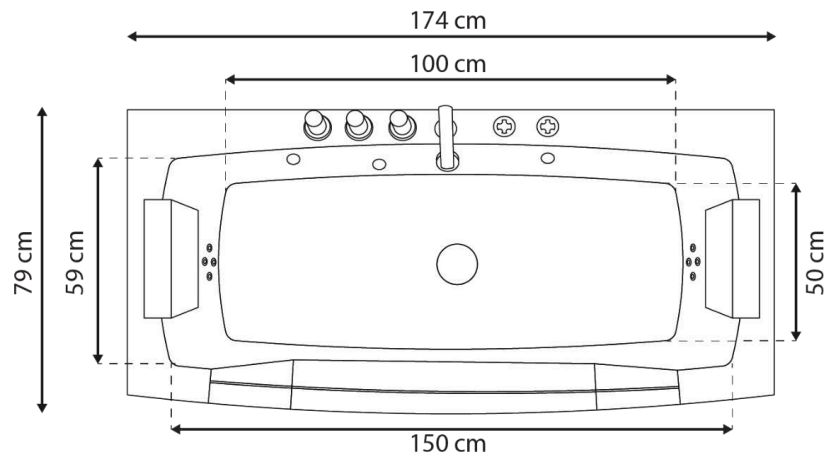
Nach Anschluss des Wasserzu- und -ablaufs der Wanne muss diese befüllt und auf Dichtigkeit geprüft werden.

Überprüfen Sie die folgenden Funktionen über das Bedienfeld:

1. Luftsystem
2. Einstellungen der Wasserpumpe

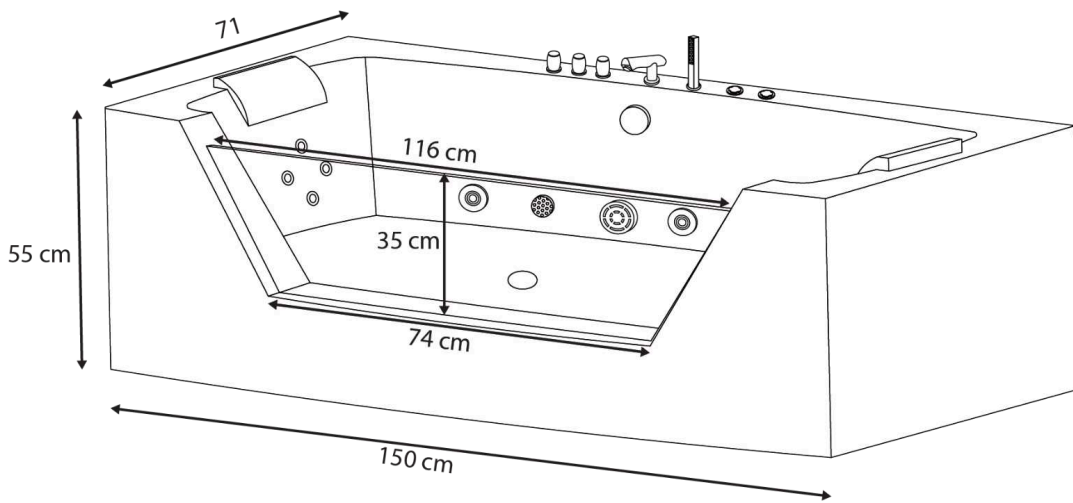
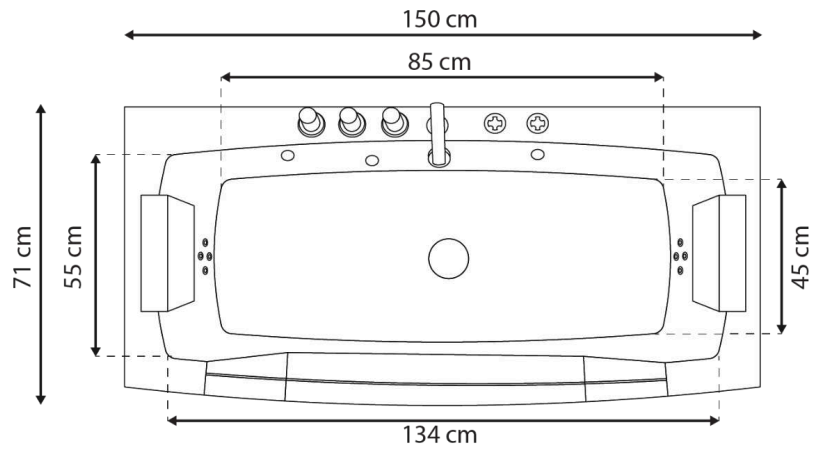
Die Wassertemperatur sollte 40°C nicht überschreiten.

1740*790*550mm



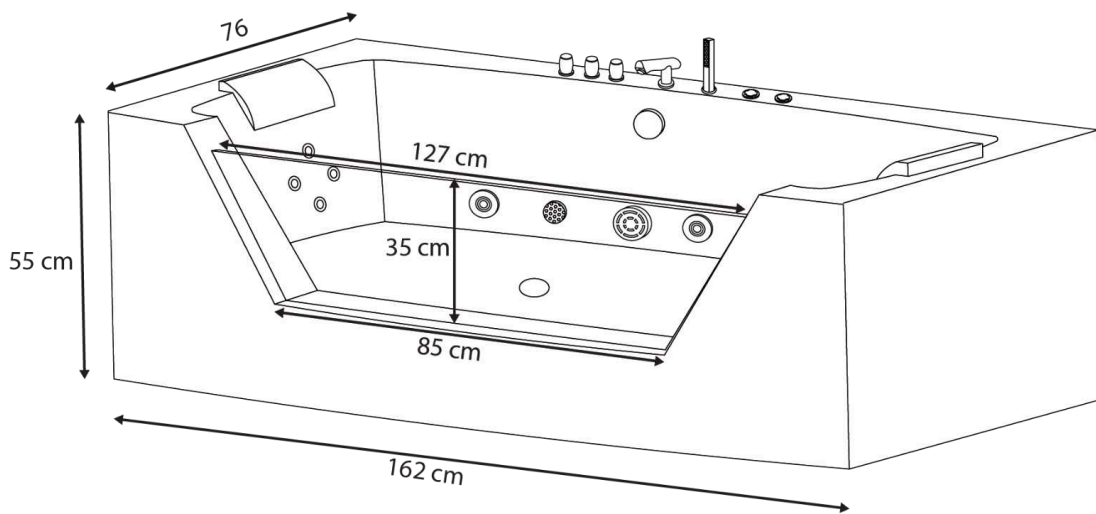
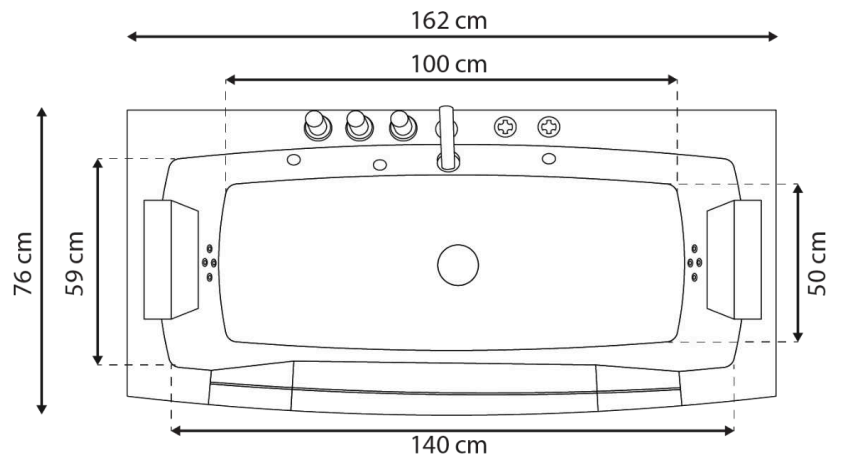
+/- 2 cm

1500*710*550mm



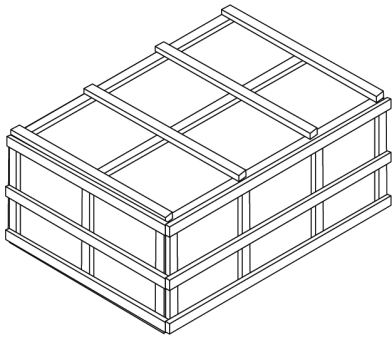
+/- 2 cm

1620*760*550mm

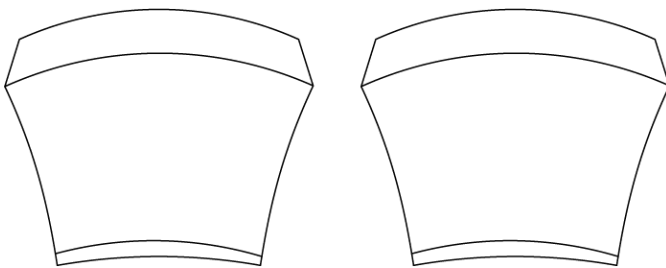


+/- 2 cm

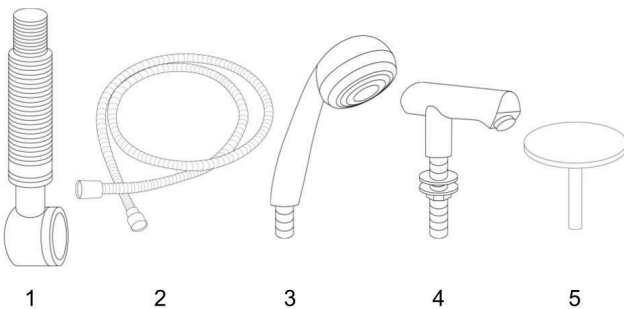
Inhalt der Verpackung



Benutzen Sie eine Schere, um die Verpackung zu öffnen; Versichern Sie sich, dass alle Teile in der Verpackung sind.

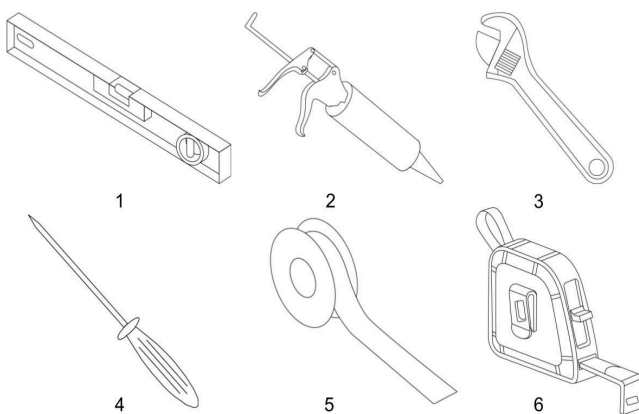


2 x Kopfstütze



Zubehörteile Box:

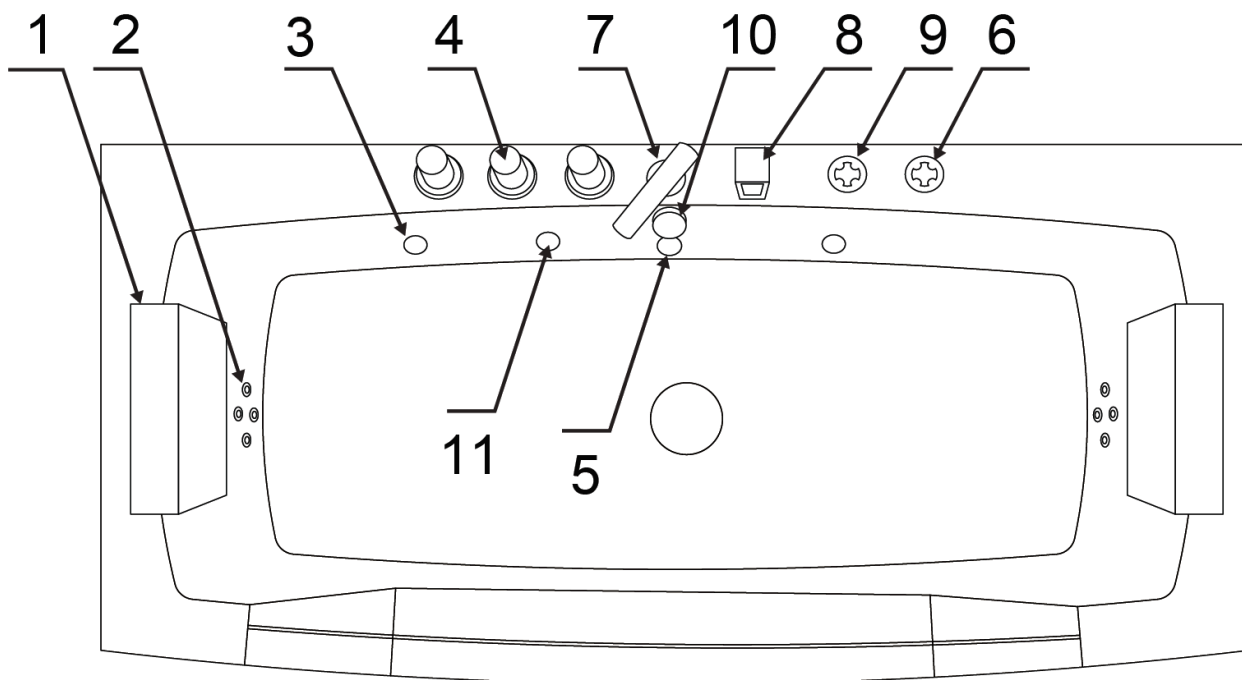
1. 1x Abfluss
2. 1x Handbrause Schlauch
3. 1x Handbrause
4. 1x Wasserfall-Armatur
5. 1x Abflussdeckel



Benötigte Werkzeuge für die Montage:

1. Wasserwaage
2. Dichtungsmittel
3. Verstellbarer Schraubenschlüssel
4. Schraubenzieher
5. PTFE Klebeband
6. Maßband

Vorbereitung
Aufbau der Badewanne

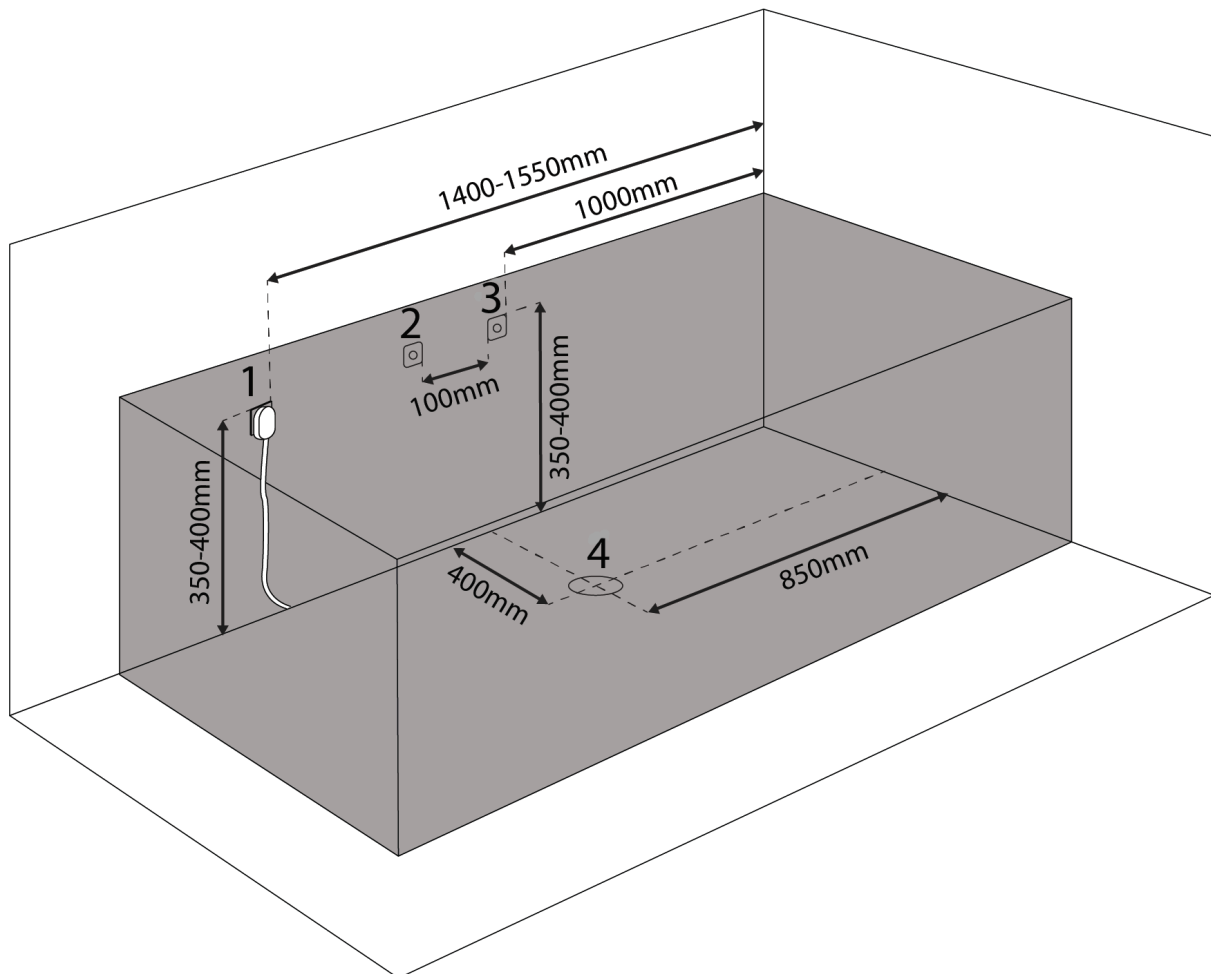


Artikel	Beschreibung	Artikel	Beschreibung
1	Kopfstütze	2	Kleine Düsen
3	Große Düsen	4	Wasserhahn
5	Sog	6	Ein/Aus-Schalter
7	Hahn	8	Handbrause
9	Regler	10	Abfluss-Regler
11	Unterwasserlicht		

Elektrische Parameter

Nennspannung	Nennfrequenz	Max. Nennleistung	Max. Nennleistung
230 V	50 Hz	2600 W	11.8 A

1. Der Anschluss ist zwingend durch einen qualifizierten Fachmann vorzunehmen, Absicherung über FI-Schutzschalter (30 mA).
2. Es sollte ein elektrischer Auslaufschutz an der Stromversorgung sein. Stromleitungen müssen befestigt werden. Der Querschnitt des elektrischen Kabel sollte nicht kleiner als 2,5 mm² sein. Die Stromversorgungsgeräte sollten mit den nationalen Vorschriften übereinstimmen.
3. Achtung! Beachten Sie bei der Verwendung elektrischer Geräte die folgenden Sicherheitsvorkehrungen.
4. Gefahren: Risiko eines Elektroschocks. Verbinden Sie die Stromkreise nur, wenn Sie durch einen Fehlerstrom-Schutzschalter geschützt sind. Ein FI-Schutzschalter ist nicht im Lieferumfang enthalten, Sie erhalten von uns jedoch alle nötigen Informationen zum FI-Schutzschalter. Ein FI-Schutzschalter wird gesetzlich verlangt.

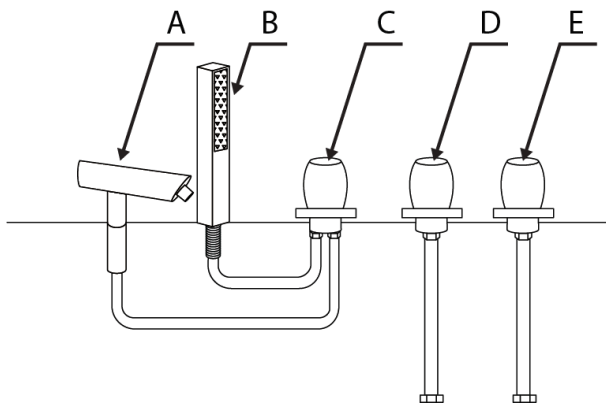


Steckdosen Plan

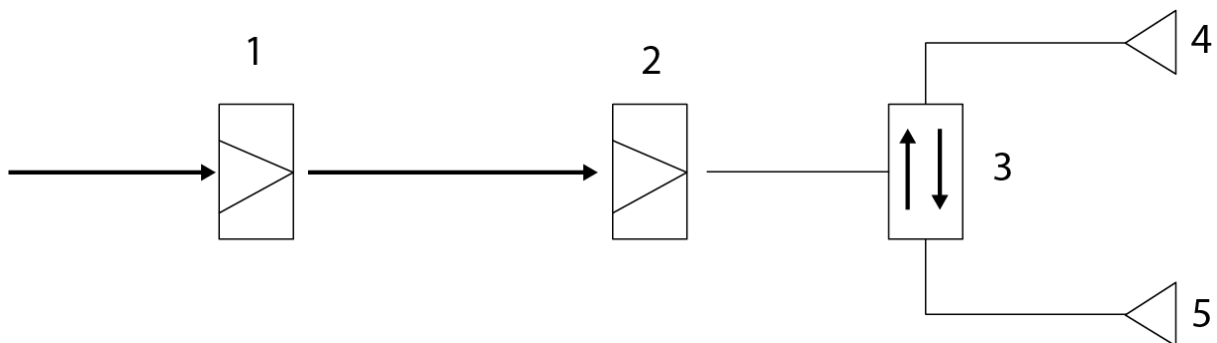
1. Steckdose
2. Warmwasser
3. Kaltwasser
4. Abfluss

Anschlussplan

- F. Wasserhahn
- G. Handbrause
- H. Schalter für Handbrause und Wasserhahn
- I. Warmwasserzulauf
- J. Kaltwasserzulauf

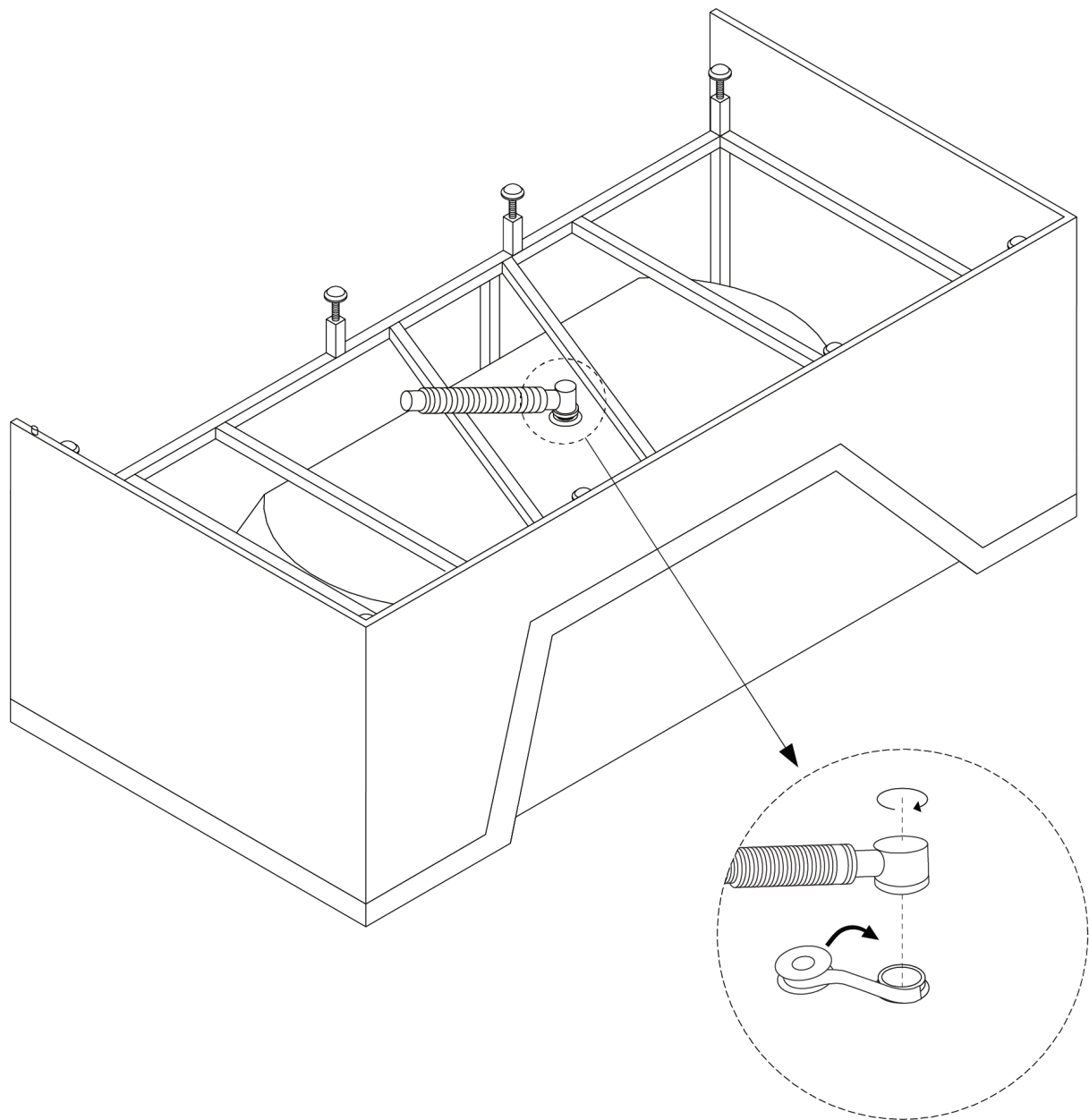


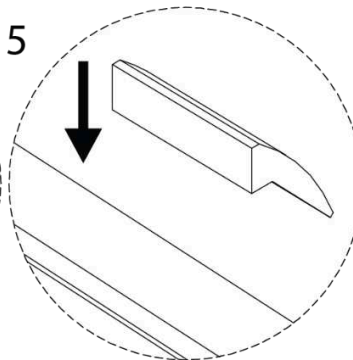
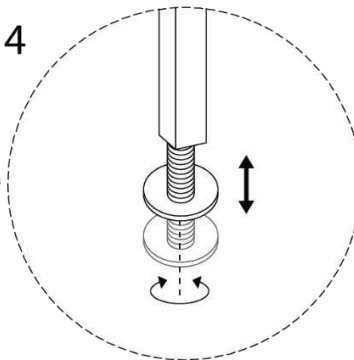
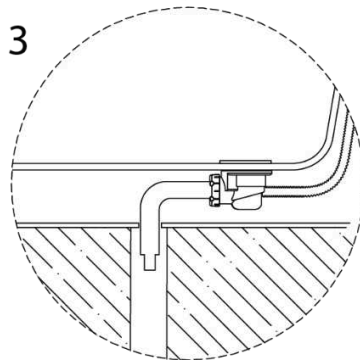
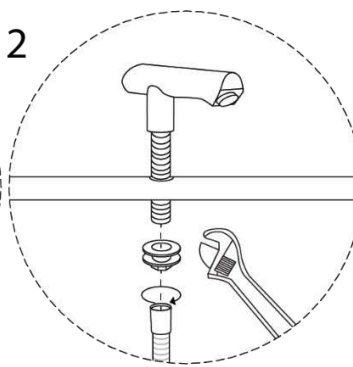
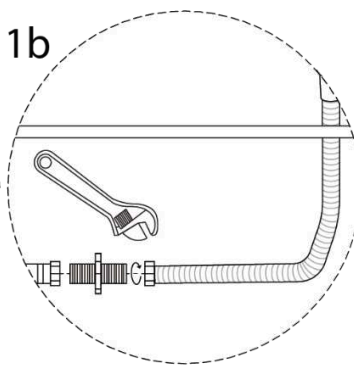
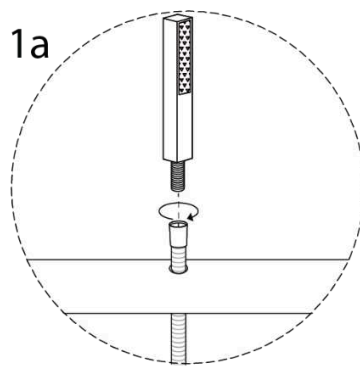
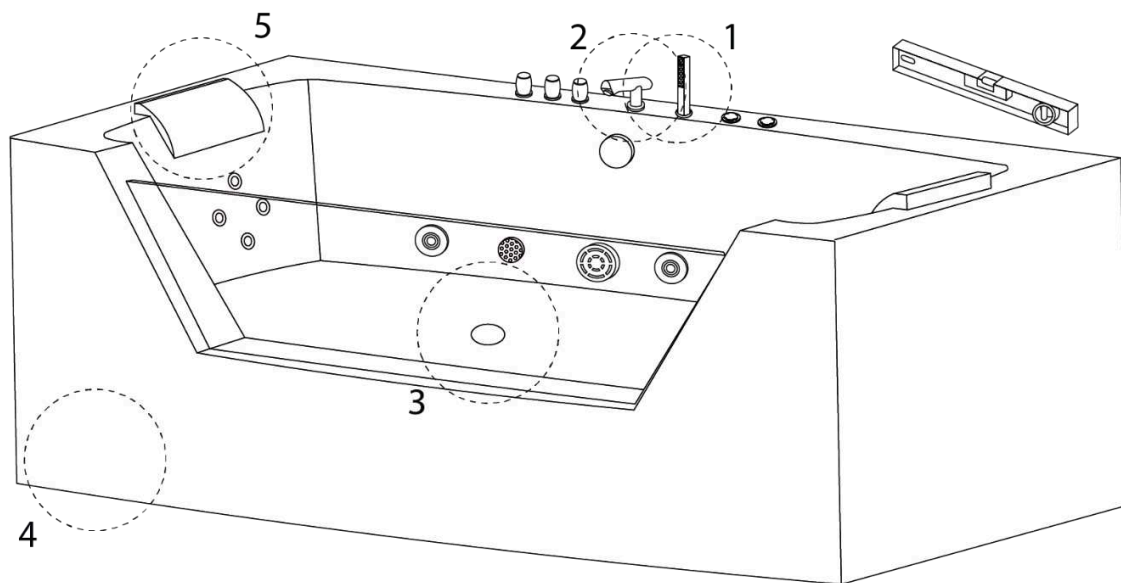
Wasserversorgung

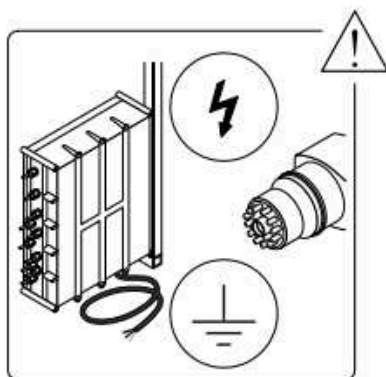
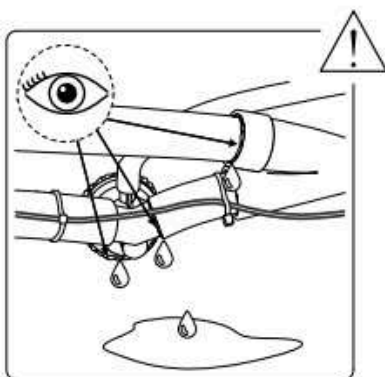
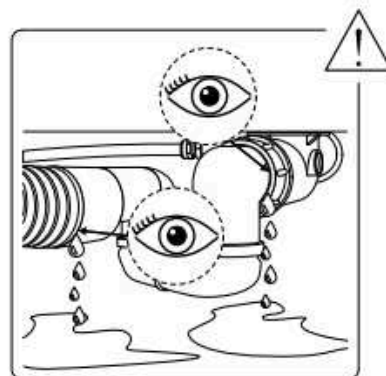
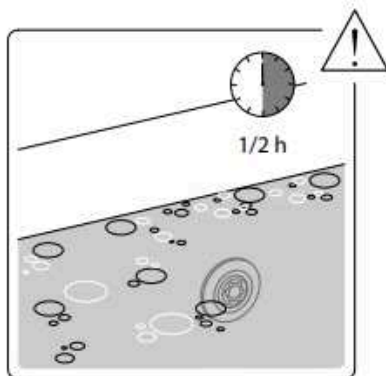
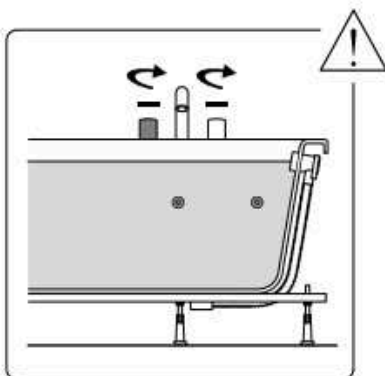
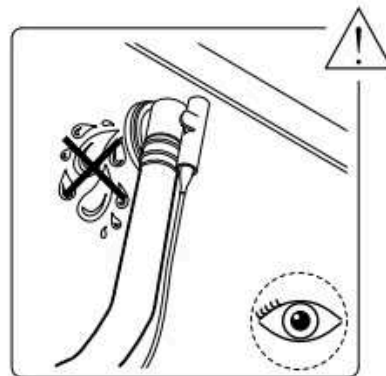
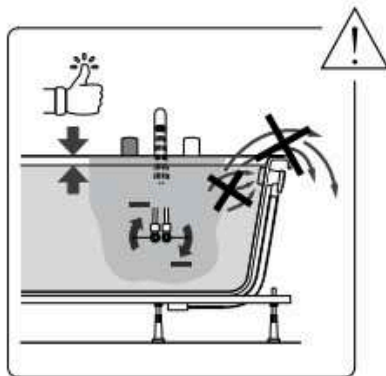
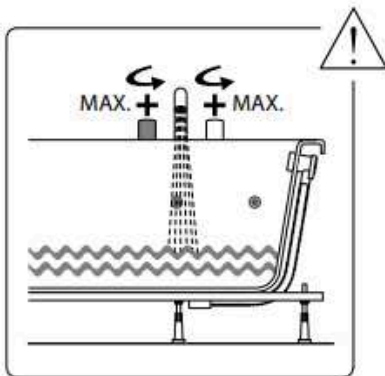
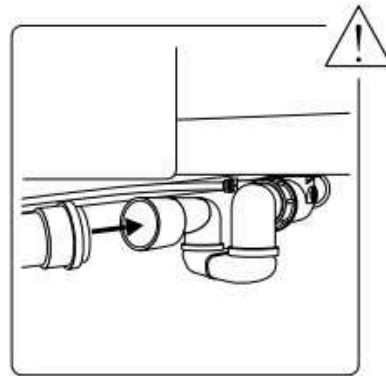
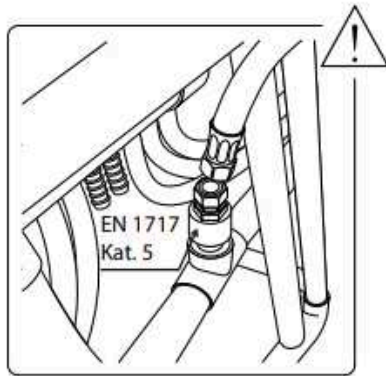
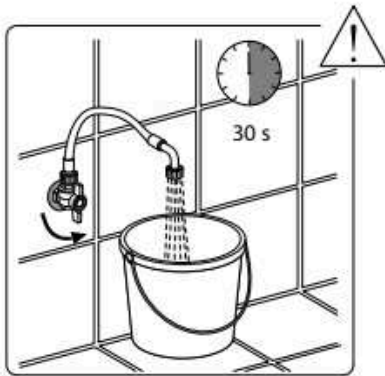


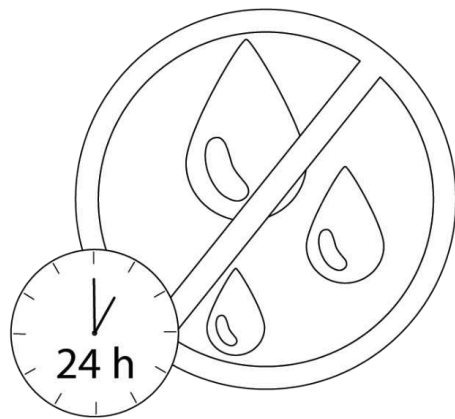
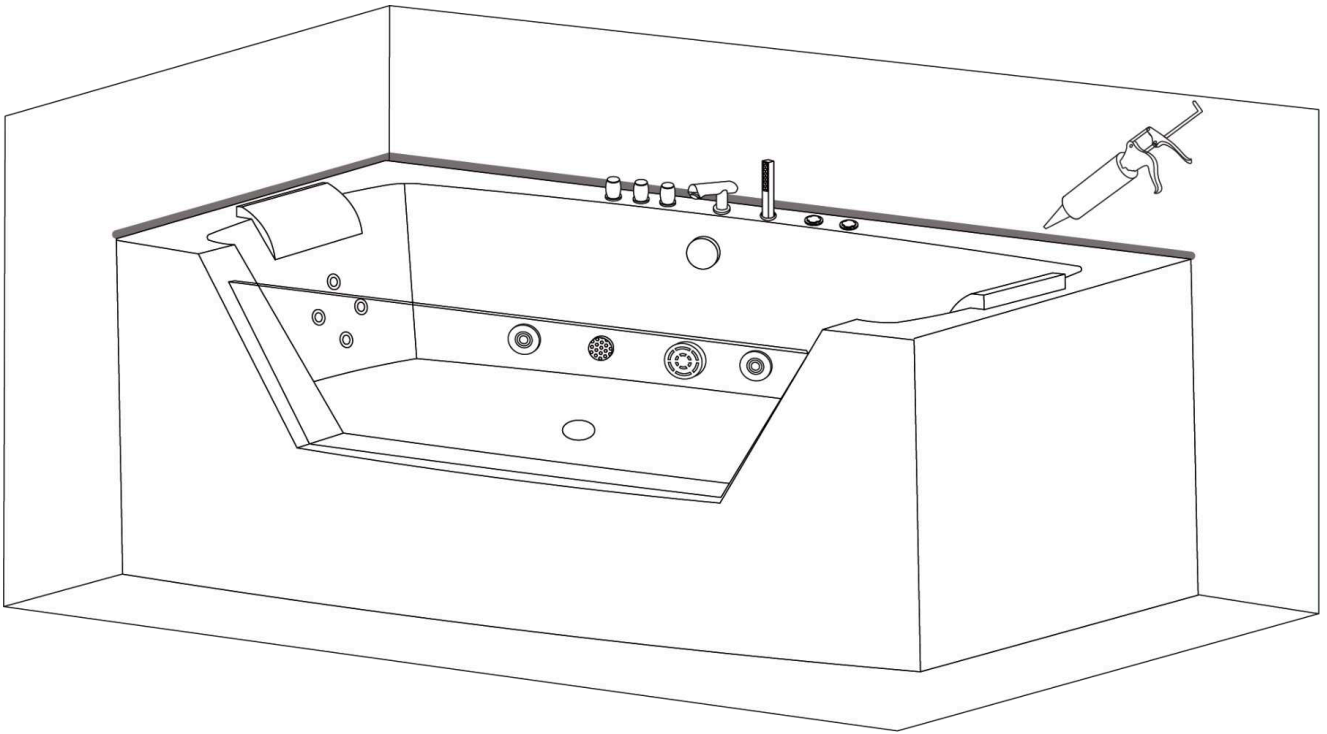
1. Kaltwasser

2. Warmwasser
3. Schalter für Handbrause und Wasserhahn
4. Handbrause
5. Wasserfall/Wasserhahn









Anleitung für die Bedienung der Badewanne

1. Schalten Sie den Strom ein.
2. Schalten Sie den Kalt- und Warmwasserboiler ein und stellen Sie die Temperatur ein. Füllen Sie die Badewanne mit Hilfe des Reglers mit Wasser aus dem Wasserhahn oder der Handbrause.
3. Schalten Sie die Wasserpumpe erst ein, wenn der Wasserstand die Düsen erreicht hat.
4. Verwenden Sie den Luftregler, um die Massageleistung einzustellen.
5. Drehen Sie den Handbrausekopf, um die Massageeffekte einzustellen.
6. Das Licht geht an und verändert die Farbe automatisch, wenn Sie die Wasserpumpe anstellen. Das Licht schaltet sich aus, wenn Sie die Wasserpumpe ausschalten.
7. Drücken Sie den Druckluftschalter, um die Pumpe auszuschalten. Lassen Sie das Wasser nach dem Gebrauch abfließen und schalten Sie den Strom zum Schluss aus.

Fehlerbehebung

Fehler	Mögliche Gründe	Versuchen Sie es mit:
Wasserpumpe funktioniert nicht	Der Netzstecker ist nicht richtig angeschlossen; der Leckschutz ist nicht angeschlossen	Stecken Sie den Netzstecker in die Steckdose und schließen Sie den Leckschutz an.
	Das Laufrad der Wasserpumpe ist durch einen kleinen Gegenstand blockiert	Reinigen Sie das Wasser Pumpenlaufrad
	Die Wasserpumpe ist ausgeschaltet	Schalten Sie die Wasserpumpe ein
	Der Netzstecker ist nicht richtig eingesteckt	Stecken Sie die Stromversorgung richtig ein
	Kaputte Wasserpumpe	Reparieren oder ersetzen Sie die Wasserpumpe
Massagedüsen starten nicht	Spannungs Problem	Überprüfen Sie die Spannung
	Ein-/Ausschaltknopf ist nicht an oder funktioniert nicht	Überprüfen Sie den Schalter oder ersetzen Sie diesen
	Wasserkreislauf ist blockiert	Reinigen Sie die Wasserrohre

Badewanne ist nicht Waagrecht	Die verstellbaren Füße sind nicht korrekt eingestellt	Verstellen Sie die Füße
Wasserausfluss	Der Überlauf ist defekt	Ersetzen Sie den Überlauf
	Muttern sind locker	Ziehen Sie die Muttern fest
	Die Anschlussteile sind nicht korrekt angeschlossen	Prüfen Sie den Kleber der Anschlussteile

Reinigung

1. Verwenden Sie ein weiches Tuch für die Reinigung. Verwenden Sie keine starken Reinigungsmittel mit Aceton oder Ammoniak. Desinfizieren mit Ameisensäure oder Formaldehyd ist strengstens untersagt.
2. Gibt es einen Kratzer auf der Oberfläche, benutzen Sie Wasserschleifpapier der Körnung 2000, um es zu polieren, danach polieren Sie es mit Zahnpasta und einem weichen Tuch.
3. Kalkablagerungen können mit Essig oder Zitronensäure entfernt werden.
4. Falls der Wasserkreislauf verstopft ist, schrauben Sie die Düsen und Rohre ab und reinigen Sie diese.
5. Bei den vergoldeten und versilberten Teilen ist eine häufige Reinigung nicht erforderlich.
6. Schlagen Sie nicht auf die Wanne mit harten Gegenständen ein. Und vermeiden Sie den Kontakt von heißen Gegenständen über 70° C (z.B. Zigaretten) mit der Badewanne. Reinigen Sie sie nicht mit chemischen Mitteln, die Bleichmittel enthalten.
7. Stellen Sie nach dem Gebrauch sicher, dass Sie das Wasser ablaufen lassen und den Netzstecker ausstecken.
8. Reinigung des Wassermassagen-Systems: Füllen Sie die Wanne mit 40°C heißem Wasser und fügen Sie pro Liter 2g Reinigungsmittel hinzu. Lassen Sie das Massagesystem für 5 Minuten laufen. Danach stoppen Sie es und lassen das Wasser ablaufen. Füllen Sie die Wanne wieder mit kaltem Wasser und schalten Sie das Massagesystem für 3 Minuten ein. Sie können das Wasser nun wieder ablassen und Ihre Massagedüsen sind gereinigt.

Vorsichtsmaßnahmen

1. Installation sollte von einem qualifizierten Sanitärinstallateur vorgenommen werden. Befolgen Sie die Anweisungen der Anleitung.
2. Geeignete Schläuche sollten von einem Fachmann vor Ort erworben und angeschlossen werden. Es dürfen auf keinen Fall die vom Verkäufer gelieferten Anschlussschläuche verwendet werden.

3. Vor Gebrauch und in regelmäßigen Abständen müssen alle Schläuche von einem Fachmann geprüft und abgedichtet werden. Beim Transport oder im Laufe der Zeit können sich die Schläuche ablösen.
4. Beim Aufbau des Produkts muss der Kunde sicherstellen, dass die Bedieneinheit für Wartungszwecke und für den Fall, dass Teile ausgetauscht werden müssen, jederzeit leicht zugänglich ist.
5. Die elektrischen Komponenten müssen den nationalen Sicherheitsnormen entsprechen. Installieren Sie einen FI-Schutzschalter für die Stromversorgung.
6. Lassen Sie kein überhitztes Wasser einlaufen und schalten Sie die Drüsen erst ein, wenn das Wasserlevel über den Drüsen ist.
7. Das Gerät arbeitet mit einer Nennspannung von 230 V. Trennen Sie das Gerät nach dem Gebrauch vom Stromnetz.
8. Es wird empfohlen, nicht länger als 30 Minuten in der Badewanne zu bleiben.
9. Starten Sie das Gerät gelegentlich neu.
10. Sollte das Netzkabel beschädigt sein, muss es umgehend ersetzt werden.
11. Lesen Sie die Gebrauchsanweisung sorgfältig durch, um Unfälle und andere Schäden zu vermeiden.
12. Um die Bildung von Schmutz, Bakterien und Schimmel zu vermeiden, ist es wichtig, die Badewanne oder den Whirlpool regelmäßig gemäß den Anweisungen des Herstellers zu reinigen und zu pflegen.
13. Im Falle eines Mangels ist der Kunde für den Aus- und Wiedereinbau des fehlerhaften Teils verantwortlich.

Allgemeines zu Wirkungsweise und Gebrauch

Nach jedem Bad Wasser ablaufen lassen. Lassen Sie Kinder nie unbeaufsichtigt in der Wanne.

Pflegeanleitung für den Whirlpool

Auf der glatten Oberfläche setzt sich kaum Schmutz an, so ist sie einfach zu reinigen und zu pflegen. Regelmäßige Pflege: Schwamm, weiches Tuch, ein bisschen antistatisches Reinigungsmittel. Die Wanne behält so ihren Glanz bei und wirkt schmutzabweisend. Vermeiden Sie den Einsatz von Scheuer- oder Lösungsmitteln, welche die Oberfläche der Wanne beschädigen. Starke Verschmutzung entfernt man mit flüssigem Haushaltsreiniger wie z. B. Geschirrspülmittel oder Seifenlauge (Verdünnung Vorschrift beachten). Bei Kalkflecken Kalkentferner verwenden. Stets mit reichlich sauberem Wasser nachspülen, mit Tuch nachpolieren. Keine säurehaltigen Reinigungsmittel oder Essigreiniger verwenden.

Beschädigungen

Verkratzte Oberflächen sollten vom Fachmann behandelt werden. Mit lösungsmittelfreier Polierpaste behandeln. Wenn nötig, kann die Oberfläche zuerst mit Nass-Schleifpapier (n°800, danach n°1200) behandelt werden, bevor sie poliert wird. Benutzen Sie auf keinen Fall alkohol- oder acetonhaltige Lösungsmittel. Schäden, die durch unsachgemäße Behandlung durch den Benutzer entstehen, entziehen sich unserer Garantieleistung.



Vorsicht! Durch Nässe wird die Rutschgefahr auf den glatten Oberflächen um ein Vielfaches erhöht. Dies ist vor allem dann der Fall, wenn Seifen, Shampoos, Badeöle usw. benutzt werden.

Änderungen vorbehalten

Beliani behält sich Änderungen oder Produktmodifikationen ohne Ankündigung vor.

Importeur:

Beliani GmbH, Haldenstrasse 5, 6340 Baar, Schweiz

Leistungserklärung

1. Eindeutiger Kenncode des Produkttyps: Produkt Nummer unten auf der Seite
2. Verwendungszweck: Whirlwannen für den Hausgebrauch für Persönliche Hygiene (PH)
3. Importeur:
Beliani GmbH
Haldenstrasse 5
6340 Baar
Switzerland
Telefonnummer: +41 43 5082233
4. Bevollmächtigter: %
5. System zur Bewertung und Überprüfung der Leistungsbeständigkeit: System 4
 - a. Harmonisierte Norm: EN 12764:2015
Notifizierte Stelle: %
 - b. Europäisches Bewertungsdokument: %
Europäische Technische Bewertung: %
Technische Bewertungsstelle: %
Notifizierte Stelle: %
6. Erklärte Leistungen:
Wesentliche Merkmale Leistung Harmonisierte technische Spezifikation
Sicherheit gegen
Haarfang (HE) Bestanden EN 12764:2004+A1:2008
Reinigbarkeit (CA) Bestanden EN 12764:2004+A1:2008
Dauerhaftigkeit (DA) Bestanden EN 12764:2004+A1:2008
7. Angemessene Technische Dokumentation oder Spezifische Technische Dokumentation:
Report No: 50074404 001 TÜV Rheinland

Die Leistung des vorstehenden Produkts entspricht den erklärten Leistungen.
Für die Erstellung der Leistungserklärung im Einklang mit der Verordnung (EU) Nr. 305/2011 ist allein der oben genannte Hersteller verantwortlich.

Anhang

Artikelnummer	Artikelname	Leistung
1213 MONTEGO	Badewannen mit Massagefunktion	HE + CA + DA
1218 SAMANA	Badewannen mit Massagefunktion	HE + CA + DA
1219 MARTINICA	Badewannen mit Massagefunktion	HE + CA + DA
15497 TOCOA	Badewannen mit Massagefunktion	HE + CA + DA
13720 SALAMANCA	Badewannen mit Massagefunktion	HE + CA + DA
14894 MONTEGO	Badewannen mit Massagefunktion	HE + CA + DA
1216 PARADISO	Badewannen mit Massagefunktion	HE + CA + DA
1217 PARADISO	Badewannen mit Massagefunktion	HE + CA + DA
1223 VARADERO	Badewannen mit Massagefunktion	HE + CA + DA
14892 PARADISO	Badewannen mit Massagefunktion	HE + CA + DA

Unterzeichnet für den Importeur und im Namen des Herstellers von:
Michael Widmer, Geschäftsführer



6340 Baar, 13.05.2020

Magyar (HU)

Fürdőkád szerelési útmutató

Gyártó és importőr:

Beliani GmbH, Haldenstrasse 5, 6340 Baar, Svájc



Használati utasítás

A telepítés előtt figyelmesen el kell olvasni ezt a használati utasítást.

Az áru átvételkori ellenőrzése

A termék átvételkor ellenőrizze a termék teljességét és esetleges sérüléseit. Ha bármilyen sérülést észlel, azonnal értesítse az eladót. Nem vállalunk felelősséget a beszerelés során vagy azt követően keletkezett károkért.

A kád emelése/mozgatása

A kád emeléséhez vagy mozgatásához fogja meg a széleinél fogva - soha ne a tömlőknél vagy a szerelési alkatrészeknél.

Csővek fektetése

A csöveket nem szabad a kád alá fektetni.

Védelem a károsodás ellen

Használjon megfelelő védőburkolatokat a felületek károsodásának és a szennyeződések vagy por okozta eltömődések megelőzésére a szerelési folyamat során. A telepítés/szerelés megkezdése előtt ideiglenesen takarja le az érzékeny alkatrészeket, például a lefolyókat, a fűvókákat és a vezérlőpanelt védőburkolatokkal.

Különleges elővigyázatosság

A csempék tisztításakor ügyeljen arra, hogy ammónia vagy hasonló agresszív tisztítószer ne érintkezzenek a beépített alkatrészekkel.

Elektromos csatlakozás (230 V)

Ezt a feladatot csak szakképzett villanyszerelő végezheti. Biztosítsa a védelmet egy hibaáram-védőkapcsolóval (30 mA).

Biztonsági előírások

A fürdőkád beszerelése során számos egyszerű lépést kell figyelembe venni, megelőzve a lehetséges baleseteket. A beszerelést csak szakemberek végezhetik. A fürdőkádat 230 V AC 50 Hz-es feszültségre kell csatlakoztatni. A készüléket egy olyan hibaáramú készüléken keresztül kell táplálni, amelynek névleges hibaárama nem haladja meg a 30 mA-t. Ezenkívül az elektromos szerelést áramkör-megszakítóval kell ellátni, amely biztosítja az áramellátásról való minden pólusú leválasztást.

A kád fémelemei között feszültségkiegyenlítő kapcsolatot kell létesíteni, az egyes országok megfelelő előírásait követve. A feszültség alatt álló alkatrészeket - kivéve a 12 V-ot meg nem haladó extra alacsony védőfeszültségen működő alkatrészeket - a kádban tartózkodó személy számára hozzáférhetetlenül kell elhelyezni. Az elektromos alkatrészeket úgy kell elhelyezni vagy rögzíteni, hogy azok ne essenek a kádba.



Vízcsatlakozás masszázsfűvókához vagy túlfolyóhoz

Amint a vízbevezetés a kád pereme alá kerül, az EN 1717 szabványnak megfelelő biztonsági berendezéssel kell csatlakoztatni (5. folyadékkategória). Ez például egy egyenáramú biztonsági berendezés (pl. 1. típusú, a légkörrel állandó kapcsolatban lévő csőszakító) alkalmazását jelentheti a konkrét telepítési követelmények alapján. Ezt a csatlakoztatást kizárólag képzett szakembernek kell elvégeznie. Ezek az iránymutatások a következő esetekre vonatkoznak:

- A. Minden olyan kád, amelyet a túlfolyón keresztül töltenek meg.
- B. Minden olyan kád, amely a masszázsfűvókáin keresztül van csatlakoztatva és töltve a meglévő T-szerelvényben.

Mindkét esetben a csatlakozást olyan megerősített rugalmas csővel kell elvégezni, amely képes előre kevert hideg és meleg víz szállítására.

Áramlási sebesség: Maximum 20 liter/perc (EN 200)

Túlfolyási kapacitás: Minimum 36 liter/perc (EN 274)

Lefolyási kapacitás: Minimum 48 liter/perc (EN 274)

Állandó telepítés

A karbantartó nyílásokat legalább 50 x 50 cm méretűre kell kialakítani, hogy biztosítsák a technikai elemekhez, például a szivattyúhoz, fűvókához, szelepekhez, csatlakozó dobozhoz és egyéb csatlakozásokhoz való hozzáférést. Lehetőleg használjon eltávolítható oldalpaneleket, de mindig a merev elemeket részesítse előnyben.

Ezenkívül javasolt egy 20 x 20 cm-es nyílást is telepíteni a lefolyó/túlfolyó számára, hogy megfelelő zajszigetelést biztosítson a telepítés során.

A megfelelő szellőzés érdekében feltétlenül szükséges egy szellőzőrács telepítése (nincs mellékelve). A kádmodell függvényében a szellőzőrácsot a falburkolat közelében helyezhetjük el. A nyílásban egy szellőzőrács (minimum 150 cm) is felszerelhető, hogy levegőt juttasson a fűvókához. Alternatív megoldásként fontolja meg egy karbantartási nyílás/szellőzőrács elhelyezését a szomszédos helyiségben.

A hangszigetelés optimalizálása érdekében telepítse a szellőzőrácsot hangszigetelő anyagokkal. Elfogadható továbbá, ha a szellőzőrácsot a szomszédos helyiségben helyezik el.

Ha a hely korlátozott: Ha a karbantartó nyílásnak nem áll rendelkezésre elegendő hely, javasolt a "felületi szerelés", hogy szükség esetén teljesen szétszerelhető legyen a fürdőkád. Győződjön meg róla, hogy a lefolyócső, az elektromos csatlakozók és szükség esetén a vízellátó vezeték leválasztható a szellőzőnyíláson keresztül. Tömítse le a kád peremét teljes egészében (ecetsavmentes) szilikonnal.

A kádat olyan felületre helyezze, amely megtartja a vizet (pl. csempék) és enyhe lejtéssel kifelé, hogy esetleges szivárgás esetén az a burkolat alatt távozzon, és ne a kád alatt gyűljön össze. A garancia nem fedezi a rossz telepítésből eredő vízkárokat. Javasolt, hogy ne burkoljuk teljesen körbe csempével a fürdőkádat. A vízpumpa, légpumpa és ózon fertőtlenítés levegőcirkulációt igényel.

Használat közben ne öntsünk vizet közvetlenül a zuhanytartóba. A garancia nem terjed ki az üzemeltetési hibák miatt bekövetkező vízkárookra.

A kád belső komponensei könnyen hozzáférhetőek kell, hogy legyenek, különben a garancia nem fedezi a belső komponensek elérését hibaelhárítási esetben.

Szivárgás ellenőrzése

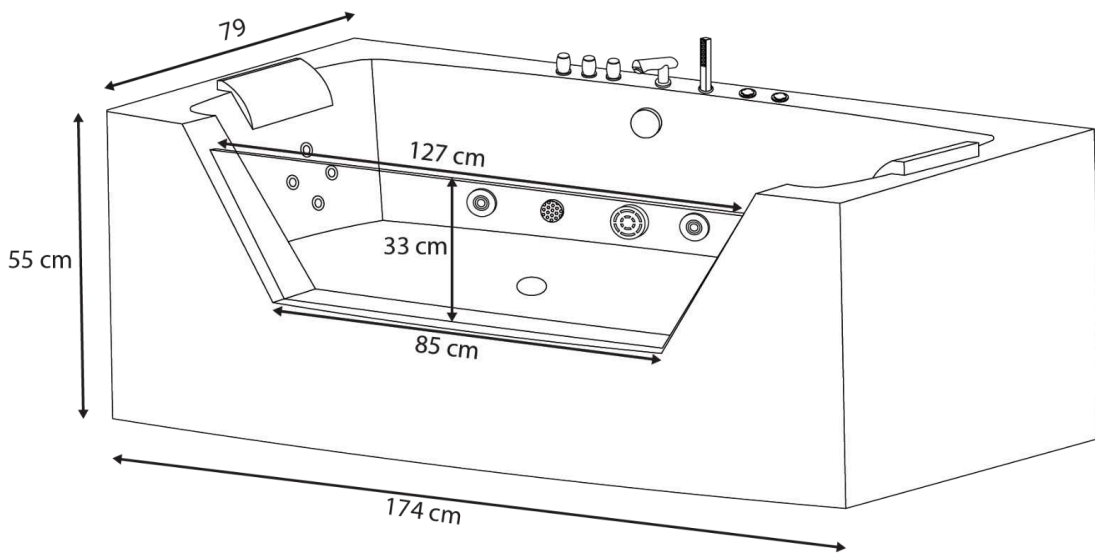
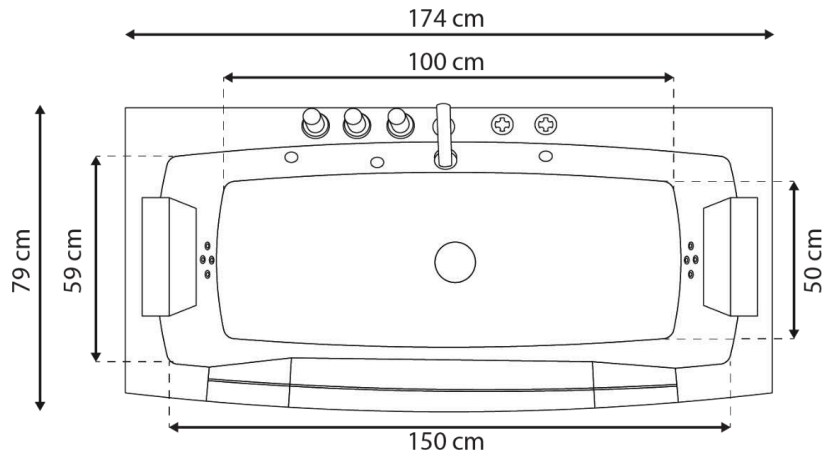
A kád vízbevezetésének és lefolyójának csatlakoztatása után a kádat meg kell tölteni, és ellenőrizni kell, hogy nincs-e szivárgás.

Ellenőrizze a következő funkciókat a kezelőpanel segítségével:

- A. Levegőrendszer
- B. Vízszivattyú beállításai

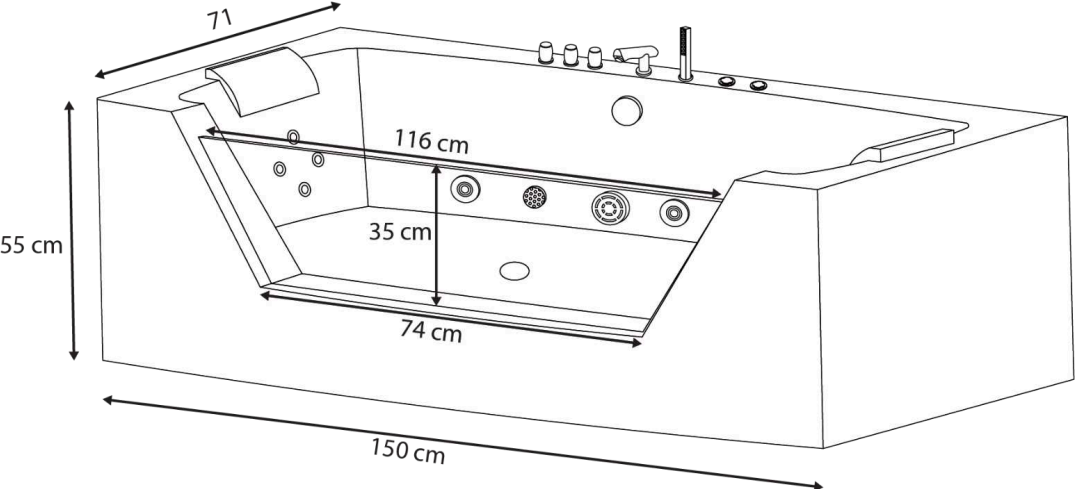
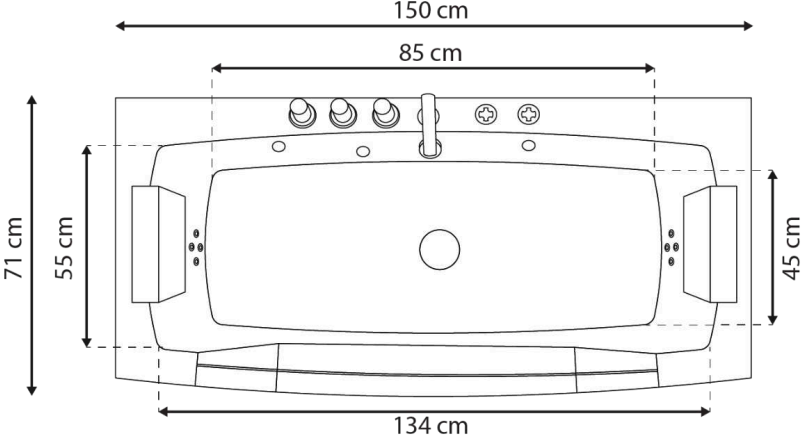
A fürdőkád víz hőmérséklete nem haladhatja meg a 40 °C-ot.

1740*790*550mm



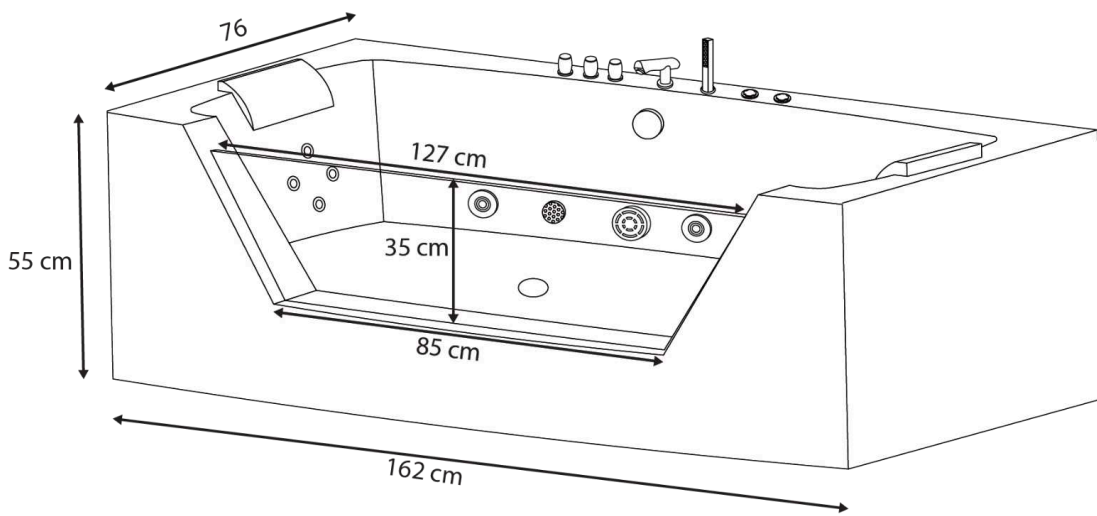
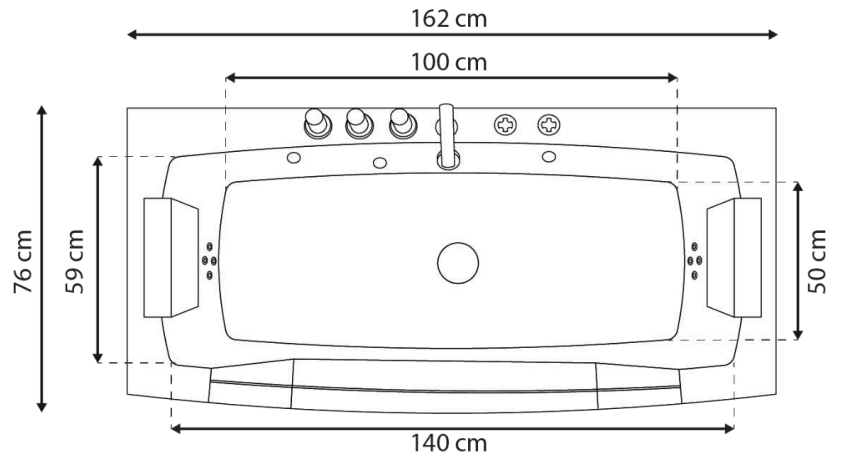
+/- 2 cm

1500*710*550mm



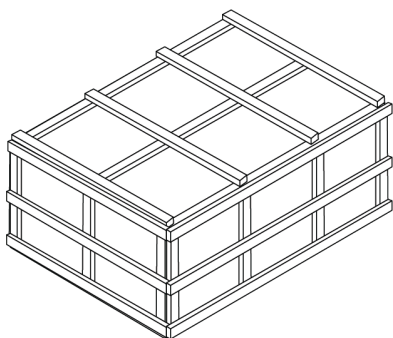
+/- 2 cm

1620*760*550mm

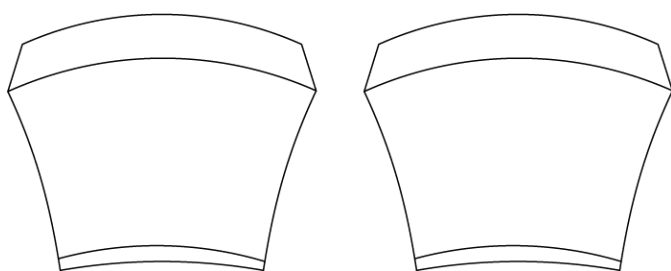


+/- 2 cm

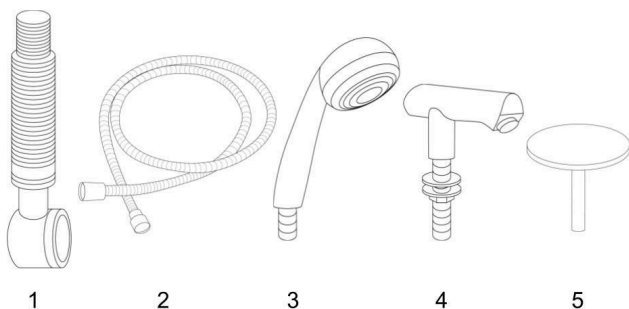
A csomag tartalma



Használjon ollót a csomagolás kinyitásához; Győződjön meg arról, hogy minden alkatrész a csomagolásban van.

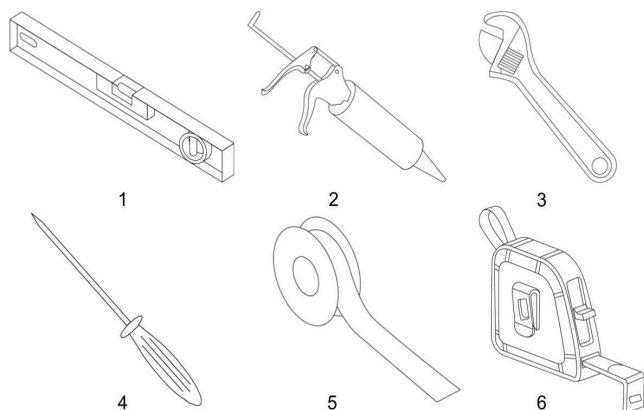


2 x Fejtámla



Tartozékok doboza

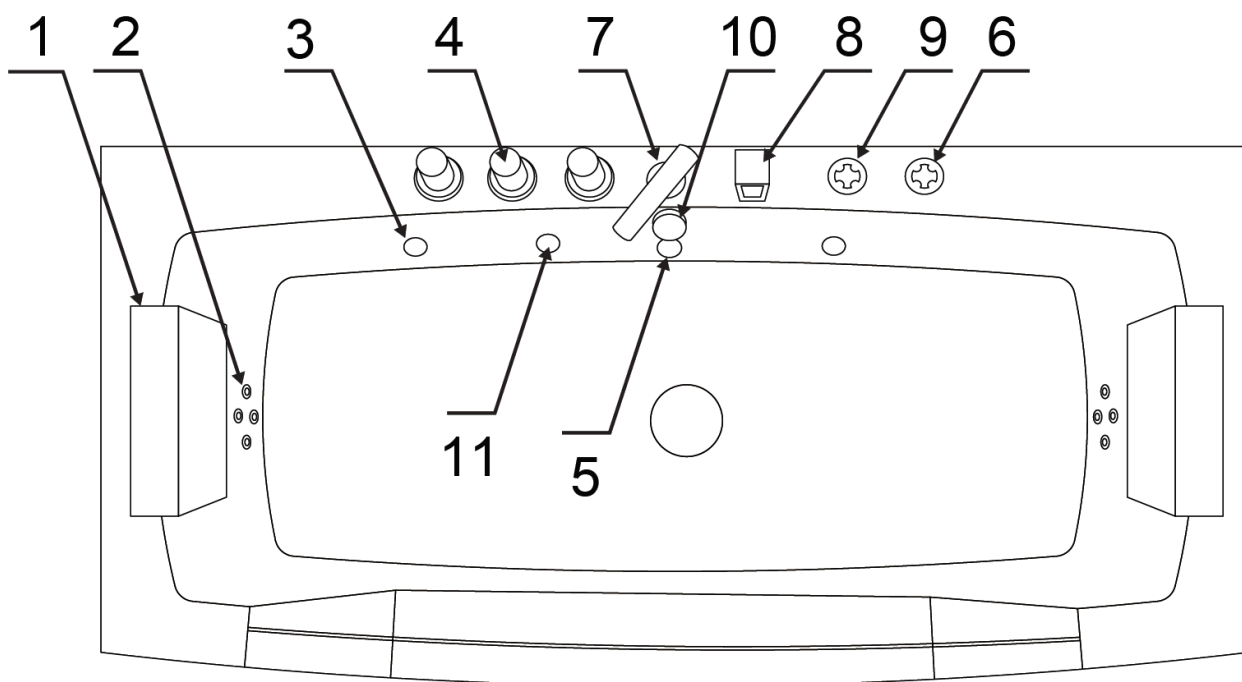
1. 1x Lefolyó
2. 1x Kézi zuhany tömlő
3. 1x Kézi zuhany
4. 1x Vízesés vízbevezető
5. 1x Lefolyófedél



Az összeszereléshez szükséges szerszámok

1. Vízmérték
2. Tömítőanyag
3. Állítható csavarkulcs
4. Csavarhúzó
5. PTFE menettömítő szalag
6. Mérőszalag

Előkészítés
Kád összeszerelése

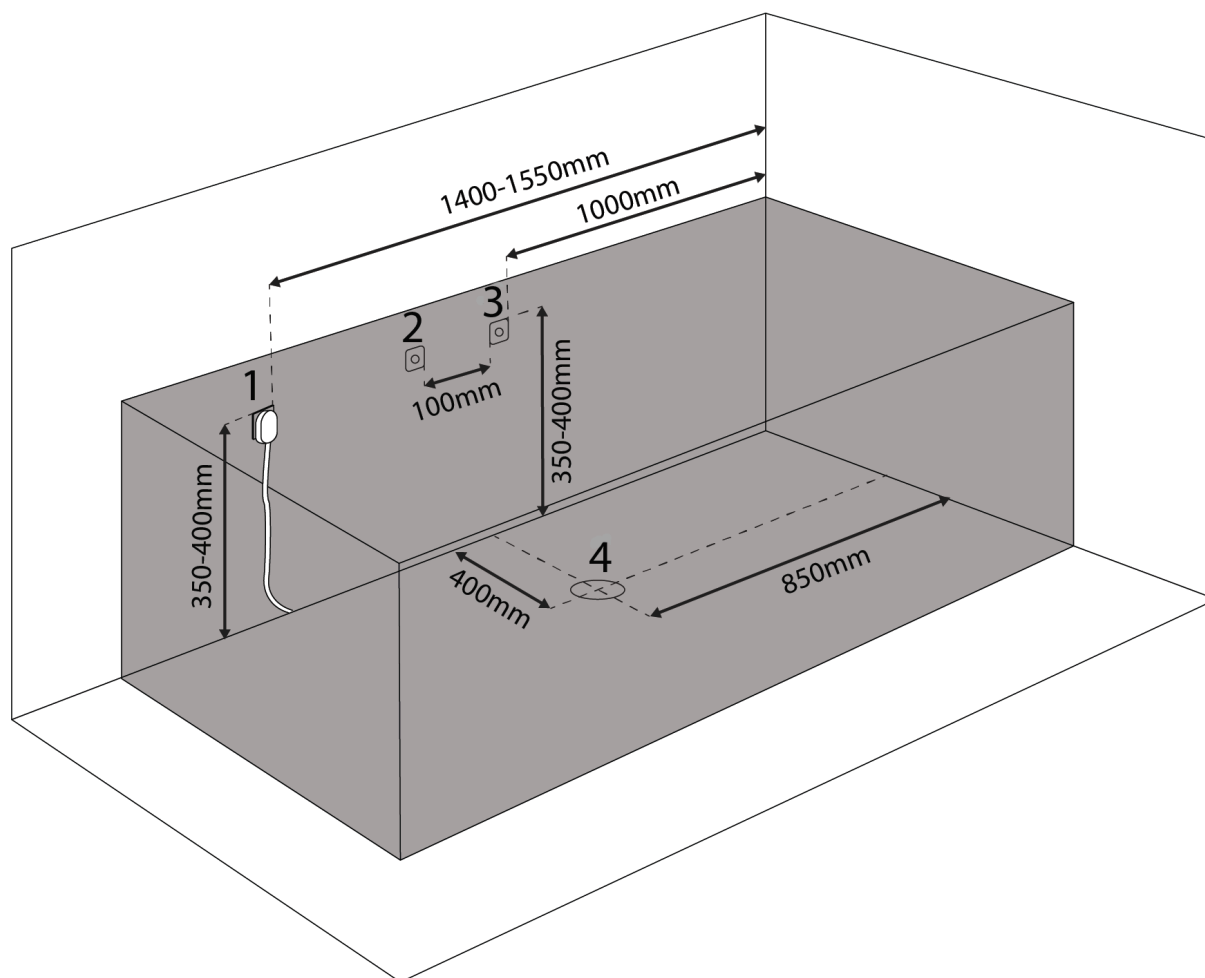


Tétel	Leírás	Tétel	Leírás
1	Fejtámla	2	Kis fúvókák
3	Nagy fúvókák	4	Csap
5	Szívás	6	Be-/kikapcsoló
7	Vízcsap	8	Kézi zuhany
9	Szabályozó	10	Leeresztő szabályozó
11	Víz alatti lámpa		

Elektromos paraméterek

Névleges feszültség	Névleges frekvencia	Max. Névleges teljesítmény	Max. Névleges teljesítmény
230 V	50 Hz	2600 W	11.8 A

1. Csak szakképzett villanszerelő végezheti. Biztosítsa a védelmet egy RCD (30 mA) segítségével.
2. A tápegységben elektromos szivárgásvédelemnek kell lennie. Az elektromos kábeleket rögzíteni kell. Az elektromos kábel mérete nem lehet kisebb 2,5 mm²-nél. Az áramellátó berendezésnek meg kell felelnie a nemzeti előírásoknak.
3. Figyelmeztetés: Az elektromos készülékek használatakor tartsa be a következő biztonsági óvintézkedéseket.
4. Veszélyek: Áramütés veszélye. Csak olyan áramköröket csatlakoztasson, amelyek GFCI-vel (Ground Fault Circuit Interrupter) védettek. A GFCI nem tartozék, de minden szükséges információt megadunk róla. A GFCI-t törvény írja elő.

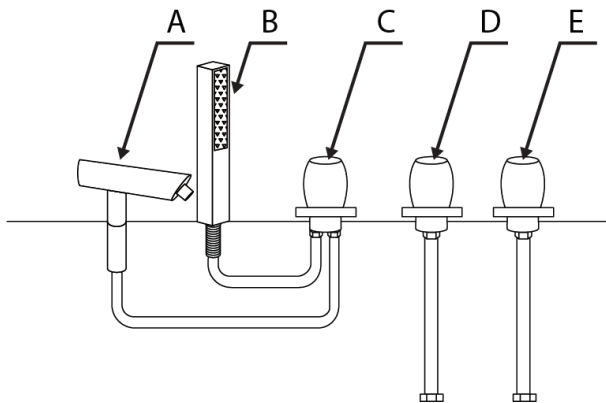


Kivezető nyílás

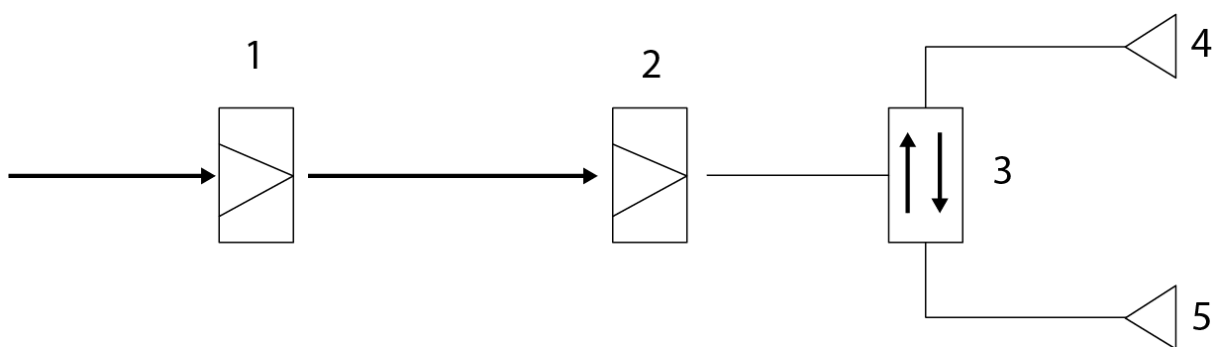
1. Elektromos konnektor
2. Meleg víz
3. Hideg víz
4. Vízelvezető lyuk

Csatlakoztatás

- A. Vízesés csap
- B. Kézi zuhany
- C. Váltás a kézi zuhany és a csap között
- D. Melegvíz-bemenet
- E. Hidegvíz-bemenet

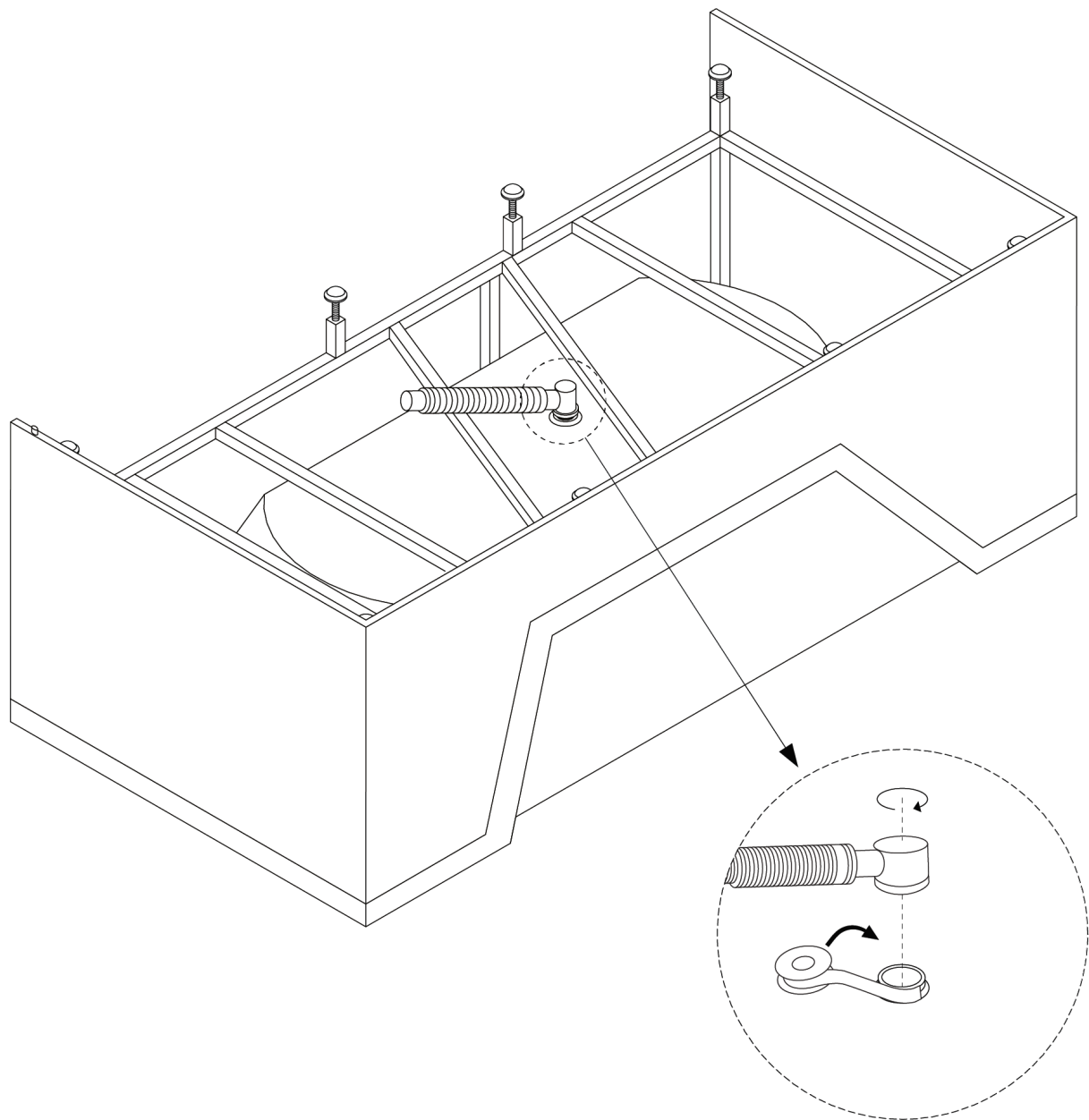


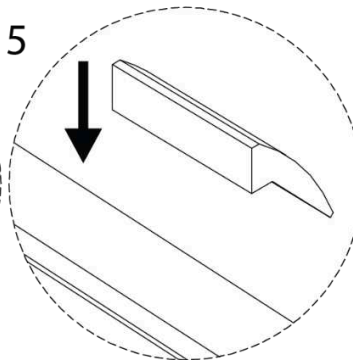
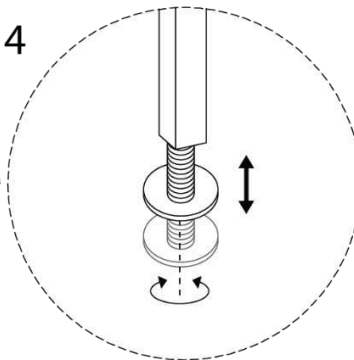
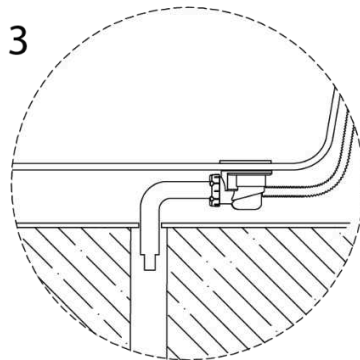
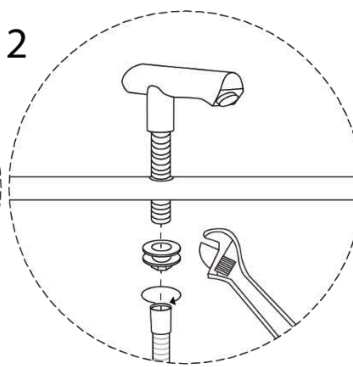
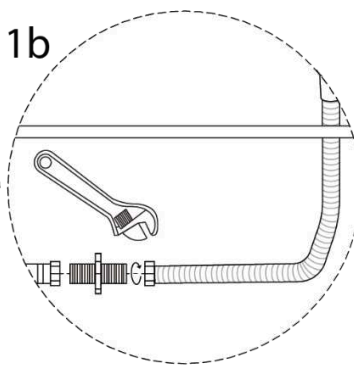
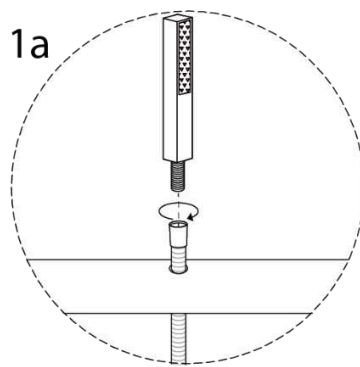
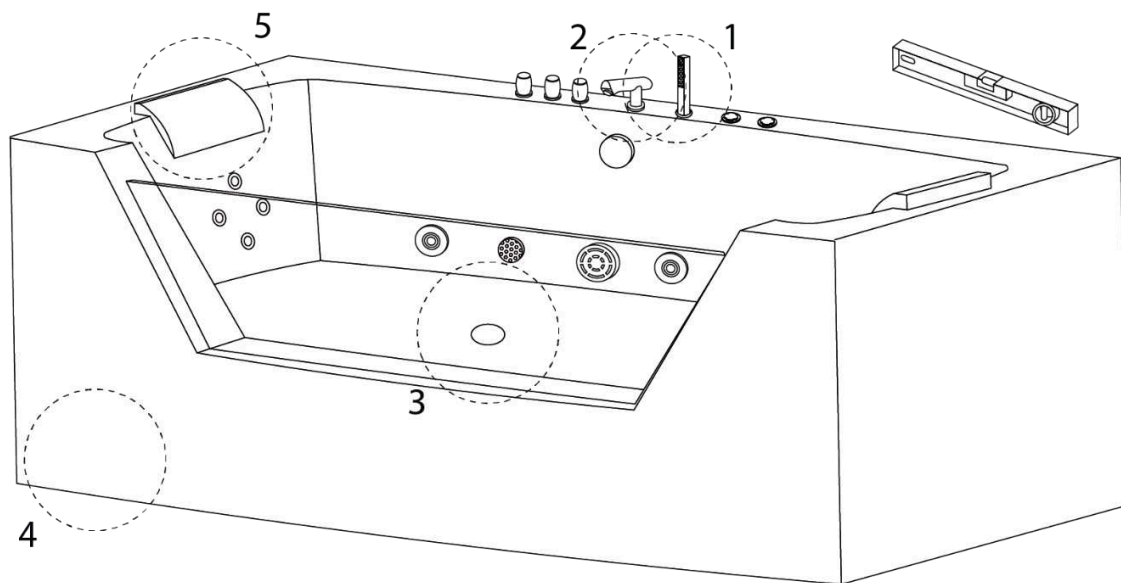
Vízellátás

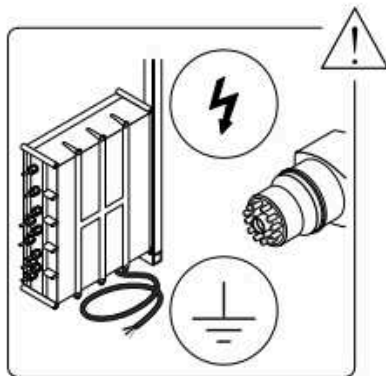
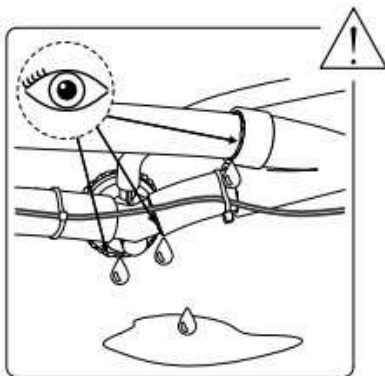
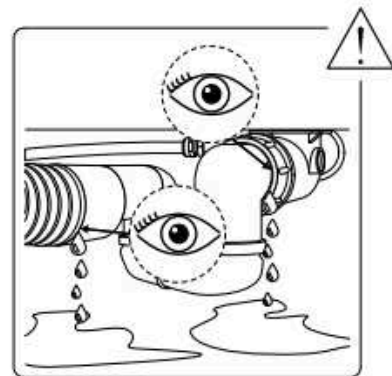
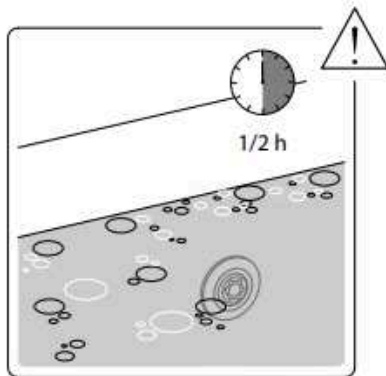
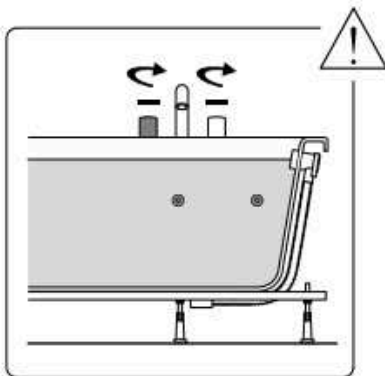
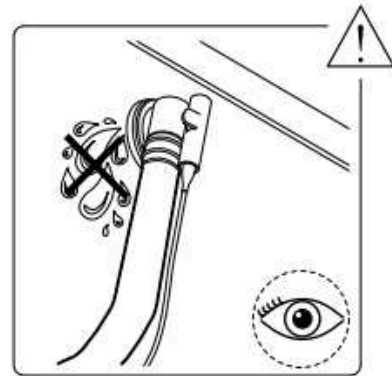
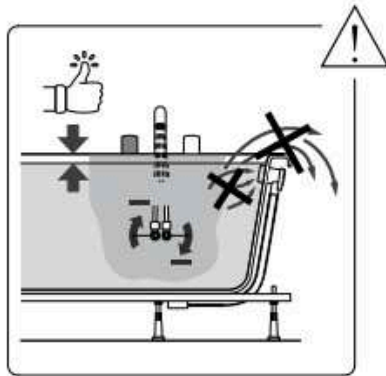
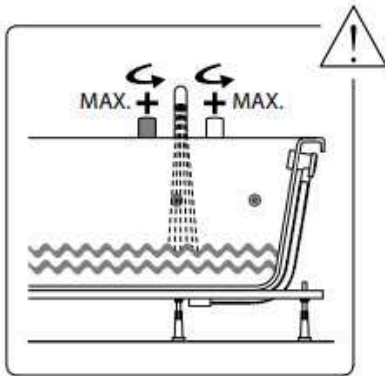
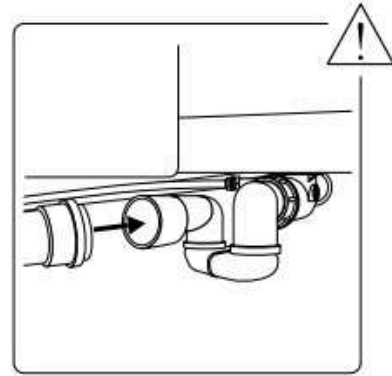
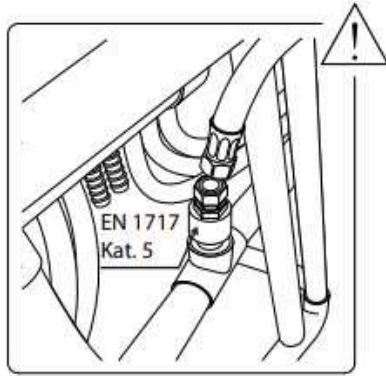
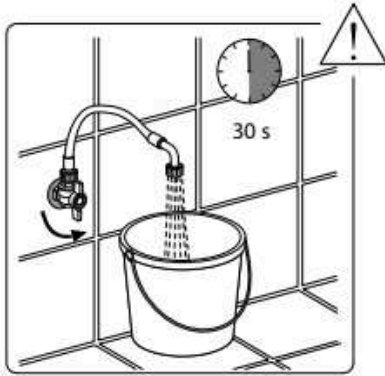


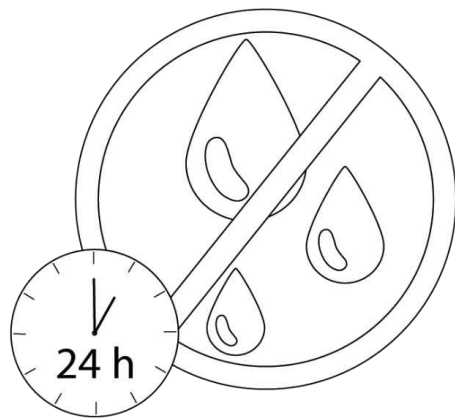
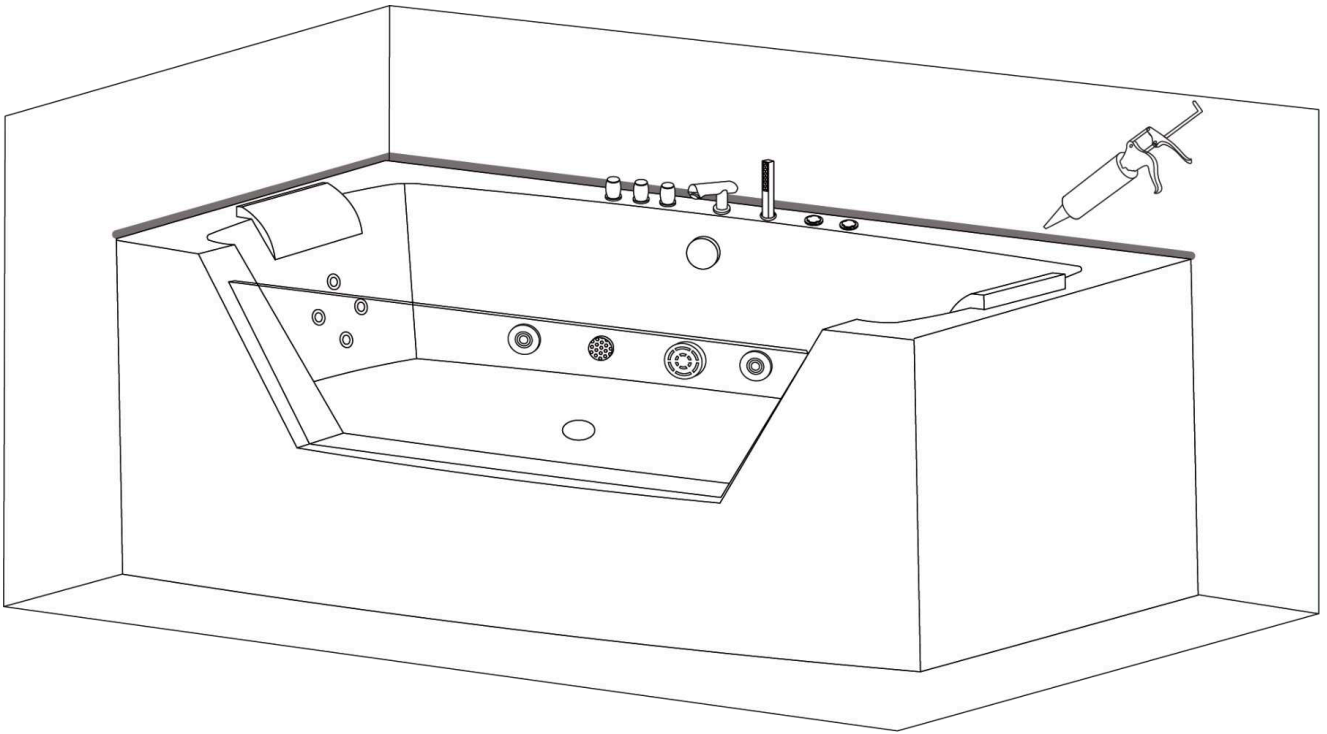
1. Hideg víz

2. Meleg víz
3. Váltás a kézi zuhany és a csap között
4. Kézi zuhany
5. Vízesés csap









A kád működtetésére vonatkozó utasítások

1. Kapcsolja be az áramot.
2. Kapcsolja be a hideg- és melegvíz-bojlert, és állítsa be a hőmérsékletet.
3. A szabályozó segítségével töltsse fel a kádat vízzel a csapból vagy a kézi zuhanyfejből.
4. Ne kapcsolja be a vízszivattyút, amíg a vízszint el nem éri a fúvókákat.
5. A levegőszabályzóval állítsa be a masszázs intenzitását.
6. Forgassa el a kézi zuhanyfejet a masszázs hatás beállításához.
7. A fény automatikusan bekapcsol és színt vált, amikor bekapcsolja a vízszivattyút. A fény kikapcsol, amikor kikapcsolja a vízszivattyút.
8. A szivattyú kikapcsolásához nyomja meg a légkapcsolót. Használat után engedje le a vizet, és végül kapcsolja ki a készüléket.

Hibaelhárítás

Hiba	Lehetséges okok	Próbálja ki ezt
Nem működik a vízpumpa	A hálózati csatlakozó nincs megfelelően csatlakoztatva; a szivárgásvédelem nincs csatlakoztatva	Dugja be a hálózati csatlakozót és csatlakoztassa a szivárgásvédőt
	A vízszivattyú járókerekeit valami apróság blokkolja	Tisztítsa meg a vízszivattyú járókerekeit
	A vízszivattyú ki van kapcsolva	Csatlakoztassa helyesen a tápegységet
	A hálózati csatlakozó nem megfelelően van behelyezve	Javítsa meg vagy cserélje ki a vízszivattyút
	A vízszivattyú elromlott	Ellenőrizze a feszültséget
A masszázs fúvókák nem indulnak	Feszültségprobléma	Ellenőrizze a kapcsolót, vagy cserélje ki
	A be/kikapcsoló gomb nincs bekapcsolva vagy nem működik	Tisztítsa meg a vízvezetékeket
	A vízkeringés elakadt	Cserélje ki a túlfolyó lefolyót
A fürdőkád nem vízszintes	Az állítható lábak nincsenek megfelelően beállítva	Állítsa be a lábakat

Víz túlcserél	A túlfolyó meghibásodott	Cserélje ki a túlfolyót
	Az anyacsavarok meglazultak	Húzza meg az anyacsavarokat
	A csatlakozó alkatrészek nincsenek megfelelően rögzítve	Ellenőrizze a csatlakozó alkatrészek ragasztását

Tisztítás

1. A tisztításhoz használjon puha rongyot, és kerülje az aceton- vagy ammóniatartalmú erős tisztítószerek használatát. Szigorúan tilos hangyasavval vagy formaldehiddel fertőtleníteni.
2. Ha karcolás van a felületen, használjon 2000-es szemcseméretű nedves csiszolópapírt, hogy finoman polírozza azt. Ezt követően folytassa a további polírozást fogkrémmel és puha ronggyal.
3. A vízkőlerakódásokat ecettel vagy citromlével lehet eltávolítani.
4. Ha a vízkeringés elzáródott, csavarja ki a fúvókákat és a csöveket, és tisztítsa meg őket.
5. Az aranyozott és ezüstözött alkatrészek esetében nincs szükség gyakori tisztításra.
6. Kérjük, tartózkodjon a kád kemény tárgyakkal való ütégetésétől. Továbbá kerülje a kád és a 70 °C-ot meghaladó hőmérsékletű forró tárgyak (pl. cigaretta) közvetlen érintkezését. Ne tisztítsa a fürdőkádat fehérítőt tartalmazó vegyi anyagokkal.
7. Használat után engedje le a vizet, és húzza ki a tápkábelt.
8. A vízmasszírozó rendszer tisztítása: Töltse meg a kádat 40 °C-os forró vízzel, és adjon hozzá literenként 2 g mosószert. Hagyja futni a masszázrendszer 5 percig. Ezt követően állítsa le, és engedje le a vizet. Töltse újra a kádat hideg vízzel, és 3 percre kapcsolja be a masszázrendszer. Most már ismét leengedheti a vizet, és a masszázsfúvókák megtisztultak.

Óvintézkedések

1. A beszerelést képzett vízvezeték szerelőnek kell elvégeznie. Kérjük, kövesse a kézikönyvben található utasításokat.
2. A megfelelő tömlőket helyi forrásokból kell beszerezni, és szakembernek kell csatlakoztatni. Semmilyen körülmények között sem szabad az eladó által biztosított csatlakozótömlőket használni.
3. Minden tömlőt szakembernek kell ellenőriznie és lezárnia a termék használata előtt és rendszeresen. A tömlők szállítás közben vagy az idő múlásával megszakadhatnak.
4. A termék beszerelésekor a vásárlónak gondoskodnia kell arról, hogy az előlap karbantartási célokból és alkatrészcsere esetén mindig könnyen hozzáférhető legyen.

5. Az elektromos alkatrészeknek meg kell felelniük a nemzeti biztonsági előírásoknak. A tápellátáshoz szereljen be földzáró áramkör-megszakítót.
6. Ne futtasson túlmelegedett vizet, és csak akkor kapcsolja be a fűvókákat, ha a vízszint felettük van.
7. A készülék 230 V névleges feszültségen működik. Használat után húzza ki a tápegységet.
8. Javasoljuk, hogy 30 percnél hosszabb ideig ne tartózkodjon a kádban.
9. Időnként indítsa újra a készüléket.
10. Ha a tápkábel megsérül, azonnal ki kell cserélni.
11. A balesetek és egyéb károk elkerülése érdekében olvassa el figyelmesen a használati útmutatót.
12. Rendszeresen tisztítsa és karbantartsa a kádat vagy a pezsgőfürdőt a gyártó utasításai szerint, hogy megelőzze a szennyeződések és baktériumok felhalmozódását és a penészesedés kialakulását.
13. Meghibásodás esetén a hibás alkatrész eltávolítása és újbóli összeszerelése a vásárló feladata.

Általános információk a funkcionalitásról és a használatról

Minden fürdés után engedje le a vizet. Soha ne hagyjon gyerekeket felügyelet nélkül a kádban.

Whirlpool ápolási utasítások

A felület könnyen tisztítható és karbantartható. A sima felület alig vonzza a szennyeződések. Rendszeres karbantartás: szivacs, puha kendő, némi antisztatikus tisztítószer. Így a kád megőrzi fényét és szennyeződéstaszítóvá válik. Kerülje a csiszoló vagy oldószeres tisztítószerek használatát, amelyek károsíthatják a kád felületét. Makacs szennyeződések esetén használjon folyékony háztartási tisztítószert, például mosogatószert vagy szappanoldatot (kövesse a hígítási utasításokat). A vízkőfoltokat vízkőoldóval távolítsa el. Mindig alaposan öblítse ki bő tiszta vízzel, és egy ronggyal polírozza ki. Ne használjon savas tisztítószereket vagy ecet alapú tisztítószereket.

Kár

A megkarcolt felületeket szakembernek kell kezelnie. Kezelje oldószermentes polírozópasztával. Ha szükséges, a felületet a polírozás előtt először nedves csiszolópapírral (n°800, majd n°1200) lehet kezelni. Ne használjon alkohol- vagy acetonalapú oldószereket. A nem megfelelő felhasználói kezelésből eredő károkra a garancia nem terjed ki.



Vigyázat! Nedves állapotban a felület fokozott csúszásveszélyt jelent. Ez különösen akkor áll fenn, ha szappanokat, samponokat, fürdőolajokat stb. használ.

Változásra fenntartva

A Beliani fenntartja a jogot, hogy a terméken előzetes értesítés nélkül változtatásokat vagy módosításokat hajtson végre.

Importőr:

Beliani GmbH, Haldenstrasse 5, 6340 Baar, Svájc

Teljesítménynyilatkozat

1. Terméktípus Egyedi azonosító: Termékszám az oldal alján
2. Rendeltetésszerű használat: háztartási használatra szánt pezsgőfürdőkádak személyi higiéniahoz (PH)
3. Importőr:
Beliani GmbH
Haldenstrasse 5
6340 Baar
Switzerland
Telefon +41 43 5082233
4. Meghatalmazott képviselő %
5. A teljesítmény állandóságának értékelési és ellenőrzési rendszere: Rendszer 4
 - a. Harmonizált szabvány: EN 12764:2015
Bejelentett szervezet: %
 - b. Európai értékelési dokumentum: %
Európai műszaki értékelés: %
Műszaki értékelő szervezet: %
Bejelentett szervezet: %
6. Deklarált teljesítmények:
Alapvető jellemzők Teljesítmény Harmonizált műszaki előírás
Biztonság
Hajbecsavarodás (HE) Meghaladta az EN 12764:2004+A1:2008 szabványt.
Tisztíthatóság (CA) Megfelelt EN 12764:2004+A1:2008
Tartósság (DA) Meghaladta az EN 12764:2004+A1:2008 szabványt.
7. Megfelelő műszaki dokumentáció vagy egyedi műszaki dokumentáció:
Jelentés száma: 50074404 001 TÜV Rheinland

A fenti termék teljesítménye megfelel a bejelentett teljesítményeknek.
A 305/2011/EU rendelet szerinti teljesítménynyilatkozat elkészítéséért kizárólag a fent megnevezett importőr felelős.

Függelék

Cikkszám	Cikk neve	Teljesítmény
1213 MONTEGO	Kád masszázs funkcióval	HE + CA + DA
1218 SAMANA	Kád masszázs funkcióval	HE + CA + DA
1219 MARTINICA	Kád masszázs funkcióval	HE + CA + DA
15497 TOCOA	Kád masszázs funkcióval	HE + CA + DA
13720 SALAMANCA	Kád masszázs funkcióval	HE + CA + DA
14894 MONTEGO	Kád masszázs funkcióval	HE + CA + DA
1216 PARADISO	Kád masszázs funkcióval	HE + CA + DA
1217 PARADISO	Kád masszázs funkcióval	HE + CA + DA
1223 VARADERO	Kád masszázs funkcióval	HE + CA + DA
14892 PARADISO	Kád masszázs funkcióval	HE + CA + DA

Az importőr nevében és a gyártó nevében aláírta:
Michael Widmer, Vezérigazgató



6340 Baar, 13.05.2020

Italiano (IT)

Istruzioni per il Montaggio della Vasca da Bagno

Produttore e importatore:

Beliani GmbH, Haldenstrasse 5, 6340 Baar, Svizzera



Istruzioni per l'uso

Queste istruzioni per l'uso devono essere lette attentamente prima dell'installazione.

Ispezione della merce al momento della consegna

Al ricevimento, controllare il prodotto per verificarne l'integrità e per eventuali danni. Se si riscontrano danni, informare immediatamente il venditore. Non saremo responsabili per i danni che si verificano durante o dopo l'installazione.

Sollevamento/spostamento della vasca

Per sollevare o spostare la vasca, afferrarla per i bordi, mai per i tubi o parti di installazione.

Installazione delle tubature

Le tubature non devono essere installate sotto la vasca da bagno.

Protezione contro i danni

Utilizzare adeguati copriprotettori per evitare danni alle superfici e blocchi causati da sporco o polvere durante il processo di installazione. Prima di iniziare l'installazione, coprire temporaneamente componenti sensibili come scarichi, getti e il pannello di controllo con copriprotettori.

Precauzione speciale

Durante la pulizia delle piastrelle, assicurarsi che ammoniaca o qualsiasi altro aggressivo agente di pulizia non venga a contatto con le componenti integrate.

Connessione elettrica (230 V)

Questa operazione deve essere eseguita solo da un elettricista qualificato. Assicurarsi che la protezione sia garantita attraverso un interruttore differenziale (30 mA).

Norme di sicurezza

Durante l'installazione della vasca da bagno, ci sono diverse semplici precauzioni da seguire per prevenire potenziali incidenti. L'installazione deve essere effettuata solo da tecnici qualificati. La vasca da bagno deve essere collegata a una tensione di 230 V AC a 50 Hz. Il dispositivo deve essere alimentato tramite un dispositivo di protezione differenziale con una corrente residua nominale non superiore a 30 mA. Inoltre, l'installazione elettrica deve essere dotata di un interruttore automatico per garantire l'interruzione di tutti i poli dall'alimentazione.

Deve essere stabilita una connessione di messa a terra tra gli elementi metallici della vasca da bagno, seguendo le normative appropriate di ciascun paese. Le parti con componenti sotto tensione, ad eccezione di quelle che funzionano con una tensione di sicurezza inferiore a 12 V, non devono essere accessibili alla persona nella vasca da bagno. I componenti elettrici devono essere posizionati o fissati in modo da evitare che cadano nella vasca.



Connessioni idriche per l'idromassaggio o lo sfioro

Non appena l'ingresso dell'acqua si trova al di sotto del bordo della vasca, deve essere stabilita una connessione con un dispositivo di sicurezza conforme alla norma EN 1717 (Categoria di fluido 5). Ad esempio, ciò potrebbe comportare l'utilizzo di un dispositivo di sicurezza a corrente continua (ad esempio, un interruttore di tipo 1 con connessione permanente all'atmosfera) in base ai requisiti specifici di installazione. Questa connessione deve essere effettuata esclusivamente da un esperto qualificato. Queste linee guida si applicano ai seguenti scenari:

- A. Tutte le vasche che si riempiono tramite lo sfioratore.
- B. Tutte le vasche che sono collegate e riempite tramite gli ugelli dell'idromassaggio nella presa T esistente.

In entrambi i casi, la connessione deve essere effettuata utilizzando tubi elastici rinforzati capaci di trasportare acqua calda e fredda premiscelata.

Portata: Massimo 20 litri/min (EN 200)

Capacità dello sfioro: Minimo 36 litri/min (EN 274)

Capacità di drenaggio: Minimo 48 litri/min (EN 274)

Installazione permanente

Le botole di manutenzione devono essere fornite con dimensioni di almeno 50 x 50 cm, garantendo l'accesso alle componenti tecniche come la pompa, il ventilatore, le valvole, la scatola

di connessione e altre connessioni. Preferibilmente, utilizzare pannelli laterali rimovibili, ma dare sempre la priorità a elementi rigidi.

Inoltre, è consigliato installare botole di manutenzione di 20 x 20 cm per lo scarico/lo sfioro, garantendo una corretta insonorizzazione durante l'installazione.

Per una corretta ventilazione, l'installazione di una griglia di ventilazione (non fornita) è assolutamente necessaria. A seconda del modello di vasca da bagno, posizionare la griglia di ventilazione nella parete vicino alle unità. All'interno della botola, può essere inserita una griglia di ventilazione (minimo 150 cm) per fornire aria al ventilatore. In alternativa, considerare di posizionare una botola di manutenzione/griglia di ventilazione nella stanza adiacente.

Per ottimizzare l'insonorizzazione, installare la griglia di ventilazione con materiali fonoassorbenti. È anche accettabile posizionare la griglia di ventilazione nella stanza adiacente, se appropriato.

Quando lo spazio è limitato: se non c'è spazio sufficiente per una botola di manutenzione, si consiglia l'opzione "installazione superficiale" per consentire lo smontaggio completo della vasca da bagno quando necessario. Assicurarsi che il tubo di scarico, le connessioni elettriche e, se applicabile, la linea di alimentazione dell'acqua possano essere scollegati tramite l'apertura di ventilazione. Sigillare tutto il perimetro del bordo della vasca con silicone (senza acido acetico).

Bisogna posizionare la vasca da bagno su una superficie che supporti l'acqua (ad esempio piastrelle) e con una leggera pendenza verso l'esterno, in modo che, in caso di eventuali perdite o cadute d'acqua, quest'ultima esca sotto il battiscopa e non si accumuli sotto la vasca. La garanzia non copre i danni causati da una cattiva installazione. Si consiglia di non circondare completamente la vasca idromassaggio con piastrelle. La pompa dell'acqua, la pompa dell'aria e la disinfezione dell'ozono richiedono circolazione dell'aria.

Durante l'uso, non versare direttamente acqua nel portasapone. La garanzia non copre i danni causati da un uso improprio. I componenti interni della vasca devono essere facilmente accessibili, altrimenti la garanzia non copre l'accesso ai componenti interni in caso di guasti.

Verifica delle perdite

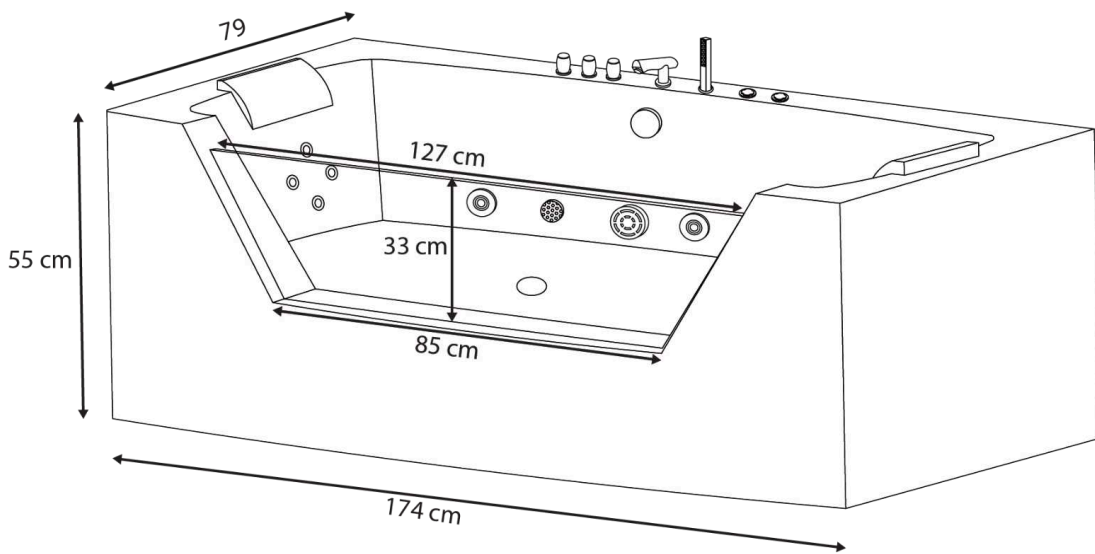
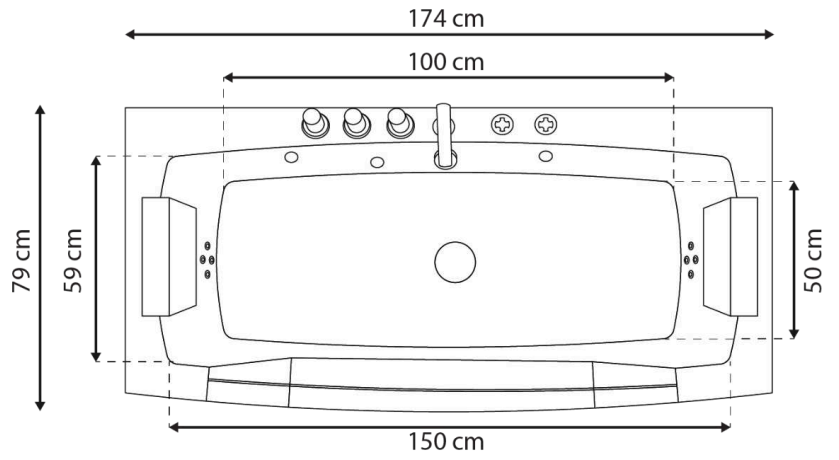
Dopo aver collegato l'ingresso dell'acqua e lo scarico della vasca da bagno, questa deve essere riempita e controllata per verificare la presenza di perdite.

Verificare le seguenti funzioni utilizzando il pannello di controllo:

- A. Sistema di aria
- B. Impostazioni della pompa dell'acqua

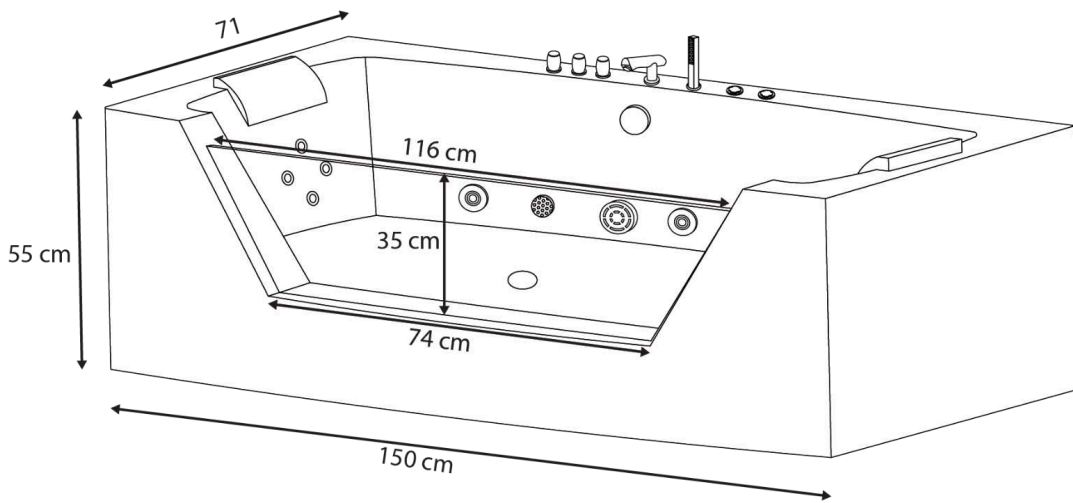
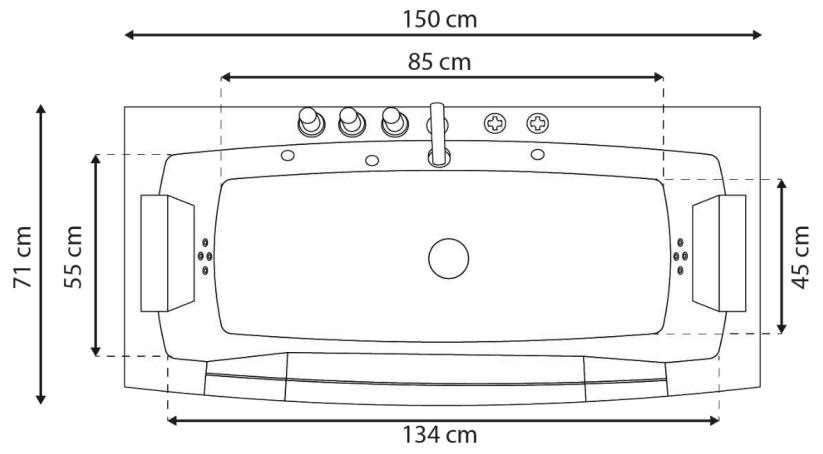
La temperatura dell'acqua della vasca non deve superare i 40 °C.

1740*790*550mm



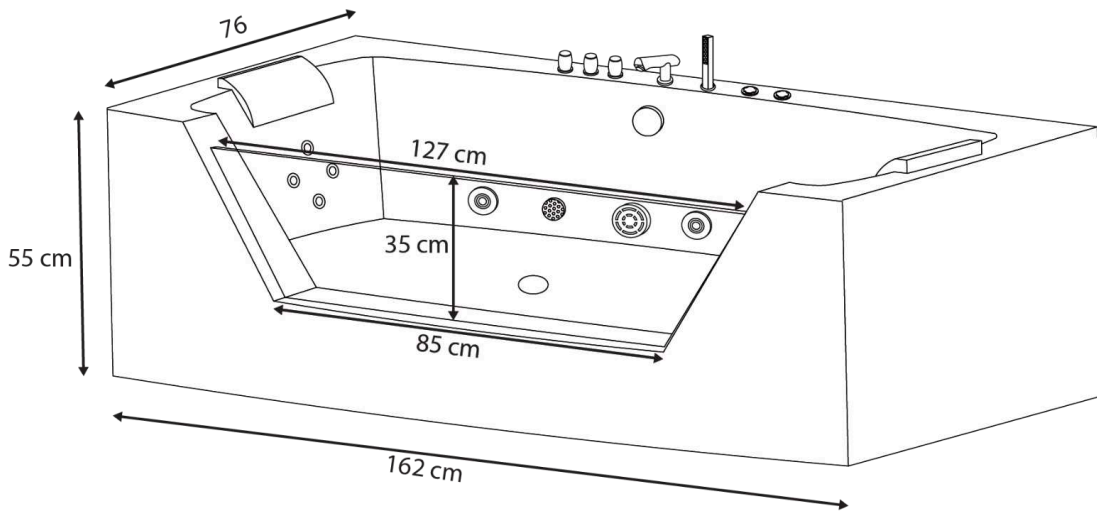
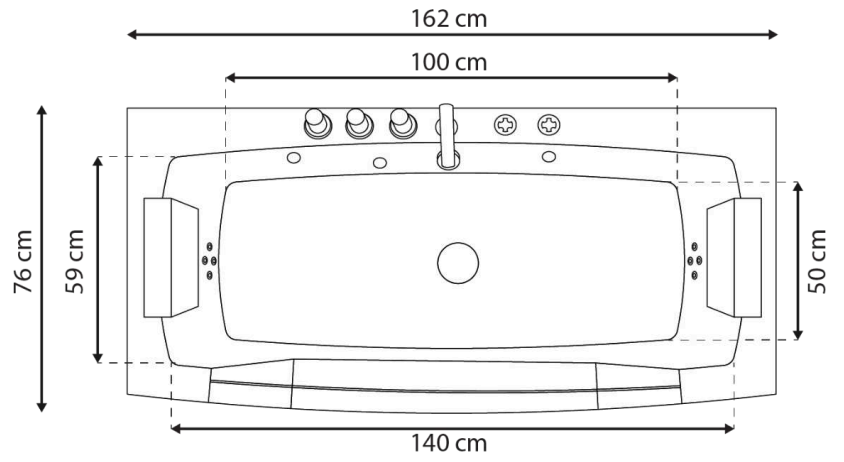
+/- 2 cm

1500*710*550mm



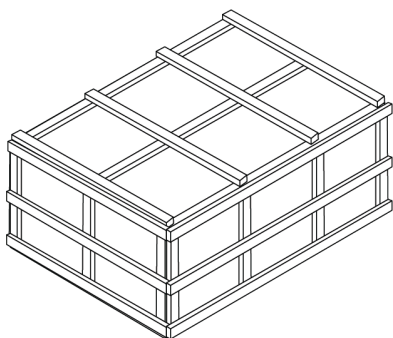
+/- 2 cm

1620*760*550mm

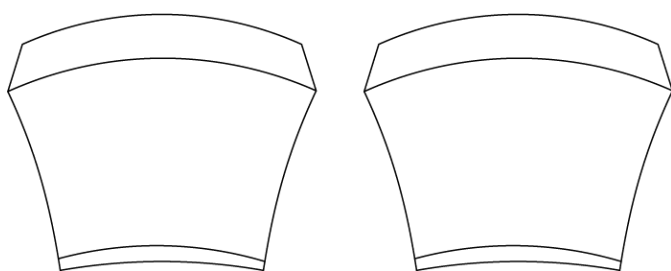


+/- 2 cm

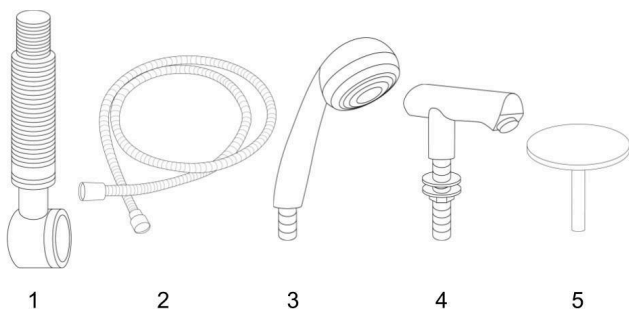
Contenuto della confezione



Usare le forbici per aprire l'imballaggio; Assicurarsi che tutte le parti siano all'interno dell'imballaggio.

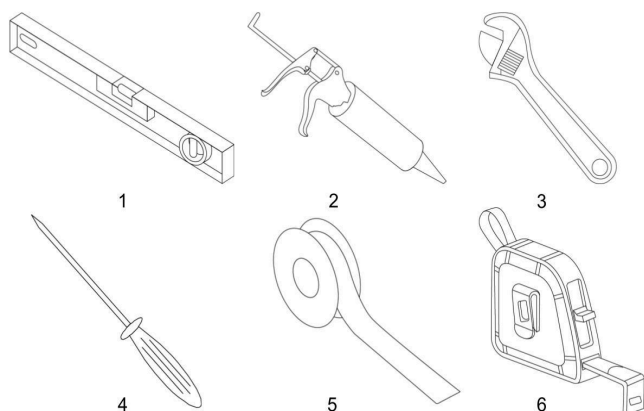


2 x Poggiatesta



Scatola degli accessori

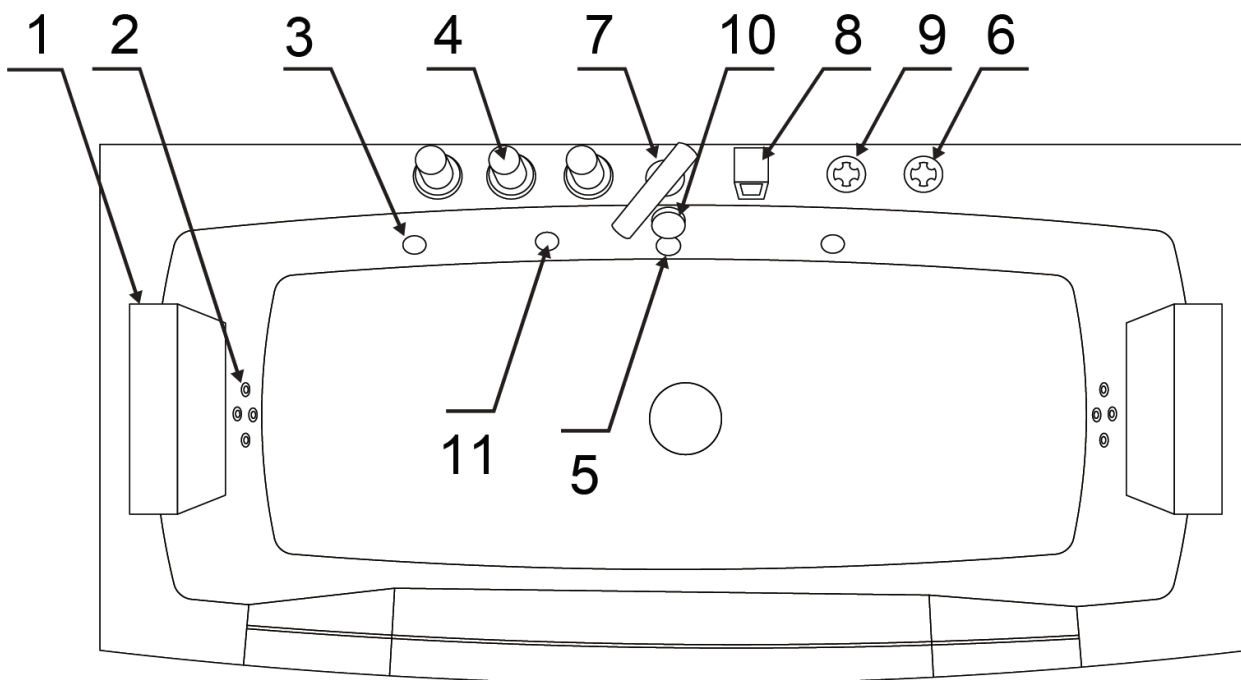
1. 1x Scarico
2. 1x Tubo per doccia a mano
3. 1x Doccetta
4. 1x Ingresso d'acqua a cascata
5. 1x Tappo dello scarico



Strumenti necessari per il montaggio

1. Livella
2. Silicone sigillante
3. Chiave regolabile
4. Cacciavite
5. Nastro sigillante in PTFE
6. Metro a nastro

Preparazione
Montaggio della vasca da bagno

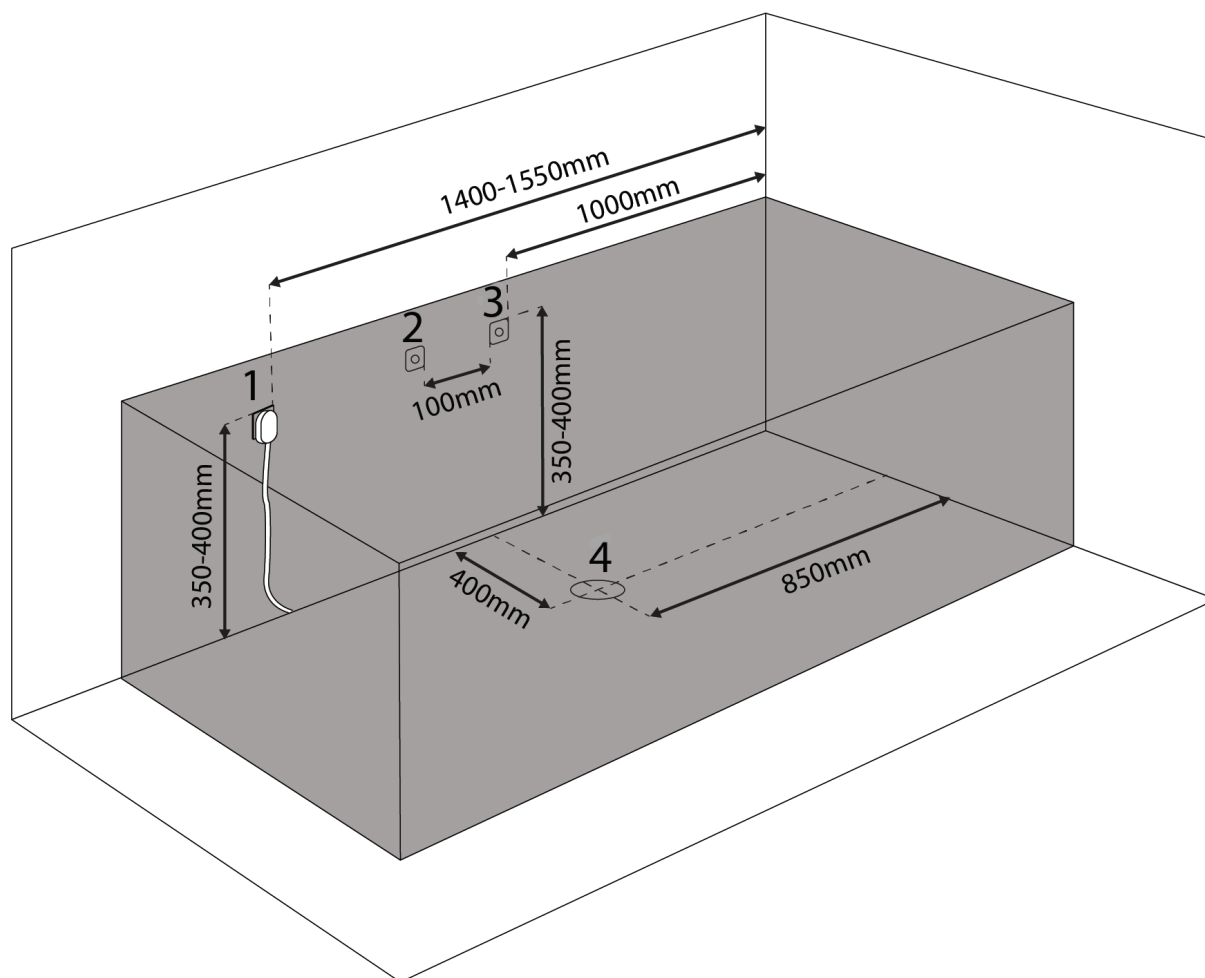


Elemento	Descrizione	Elemento	Descrizione
1	Poggiatesta	2	Getti piccoli
3	Getti grandi	4	Rubinetto
5	Aspirazione	6	Interruttore On/Off
7	Rubinetto dell'acqua	8	Doccetta
9	Regolatore	10	Regolatore di scarico
11	Luce subacquea		

Parametri elettrici

Tensione nominale	Frequenza nominale	Potenza massima nominale	Corrente massima nominale
230 V	50 Hz	2600 W	11.8 A

1. Da eseguire solo da un elettricista qualificato. Assicurarsi di avere una protezione tramite un interruttore differenziale (RCD) da 30 mA.
2. Deve essere presente una protezione contro le perdite di corrente nella fornitura di energia elettrica. I cavi elettrici devono essere fissati. La sezione del cavo elettrico non deve essere inferiore a $2,5 \text{ mm}^2$. L'apparecchiatura di alimentazione deve essere conforme alle normative nazionali.
3. Avvertenza: Quando si utilizzano dispositivi elettrici, prendere le seguenti precauzioni di sicurezza.
4. Pericoli: Rischio di scossa elettrica. Collegare i circuiti solo quando protetti da un interruttore differenziale (GFCI - Ground Fault Circuit Interrupter). Un GFCI non è incluso, ma forniremo tutte le informazioni necessarie al riguardo. Un GFCI è richiesto per legge.

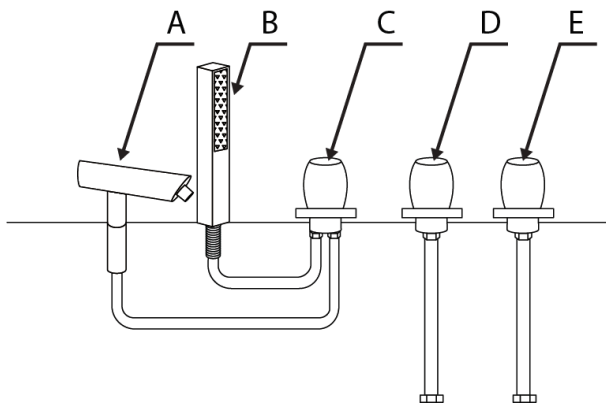


Piano delle uscite

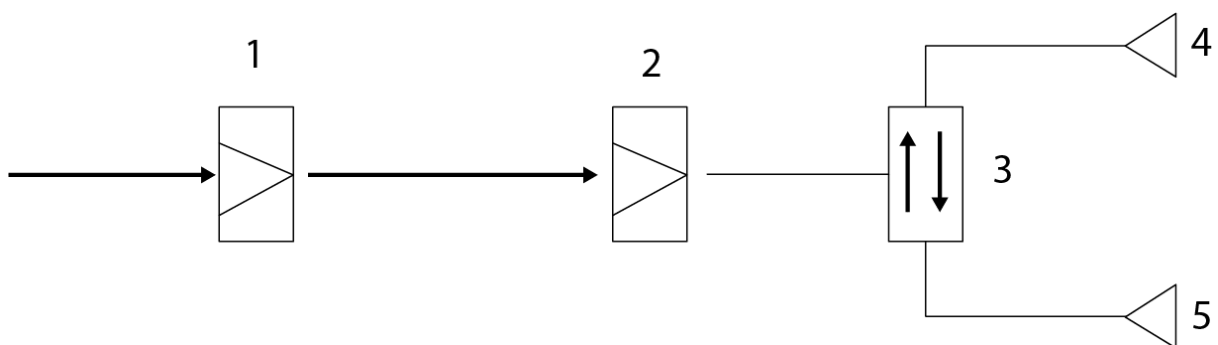
1. Presa elettrica
2. Acqua calda
3. Acqua fredda
4. Foro di scarico

Piano delle connessioni

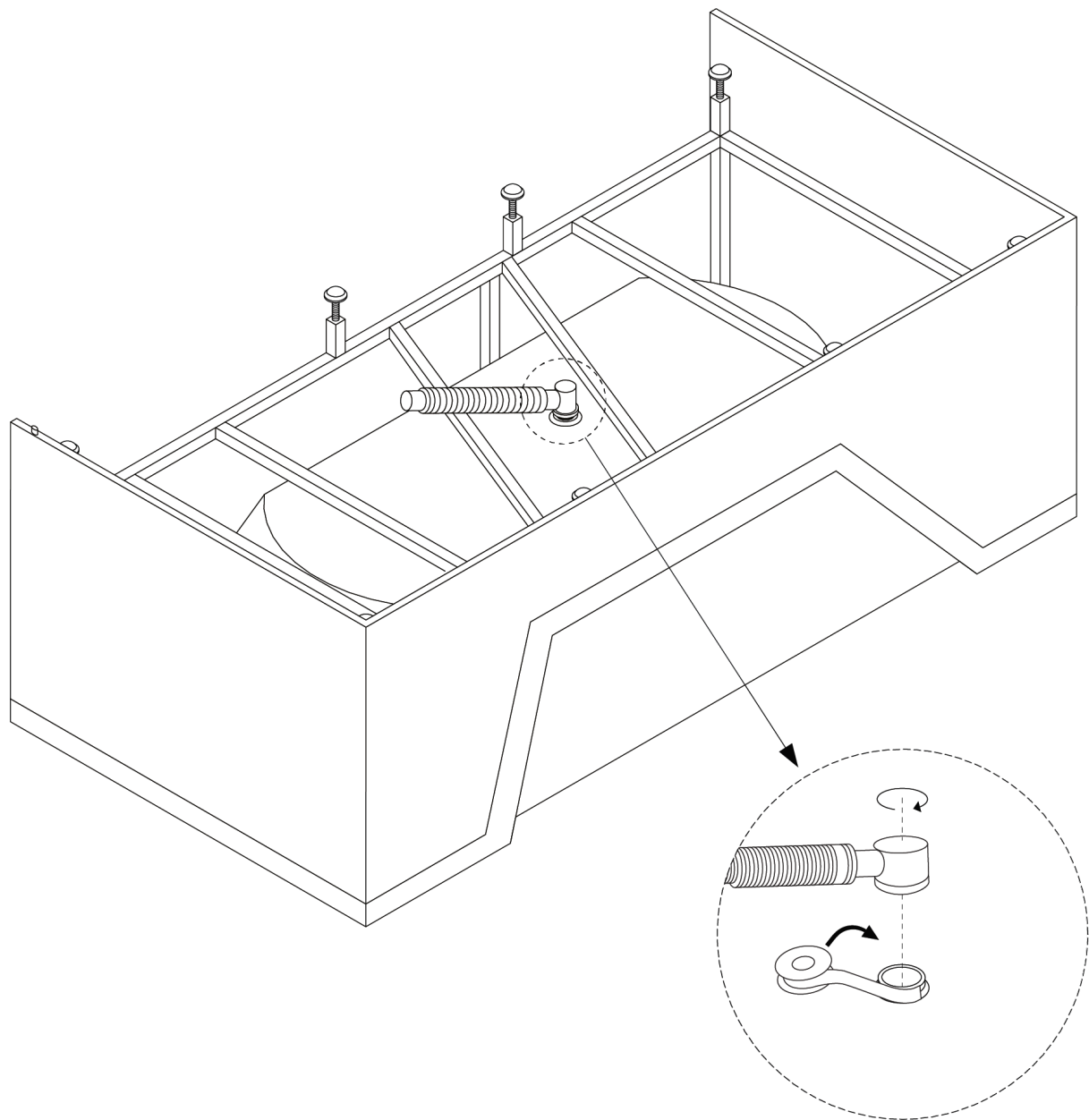
- A. Rubinetto a cascata
- B. Doccetta
- C. Commutazione tra doccetta e rubinetto
- D. Ingresso acqua calda
- E. Ingresso acqua fredda

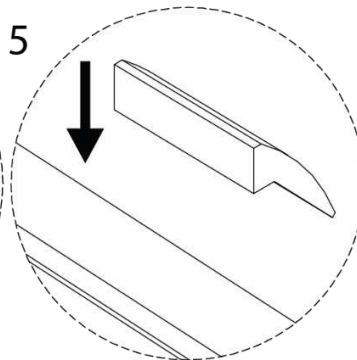
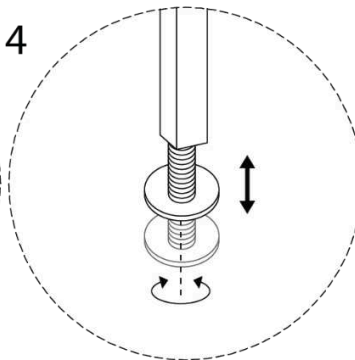
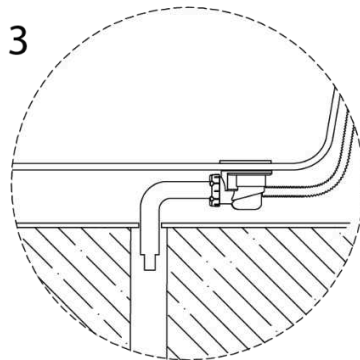
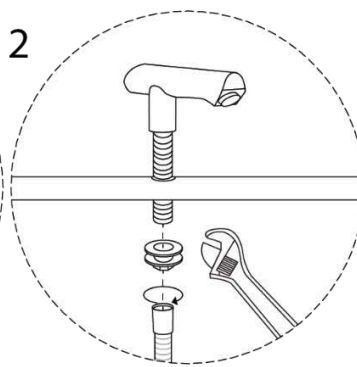
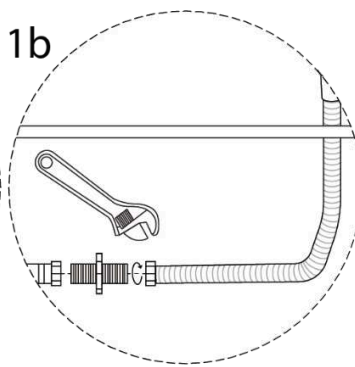
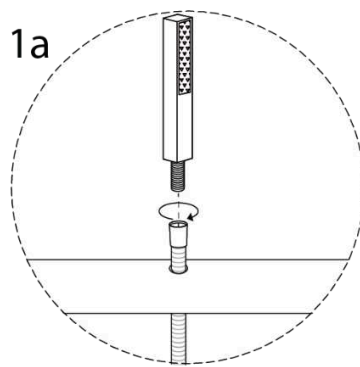
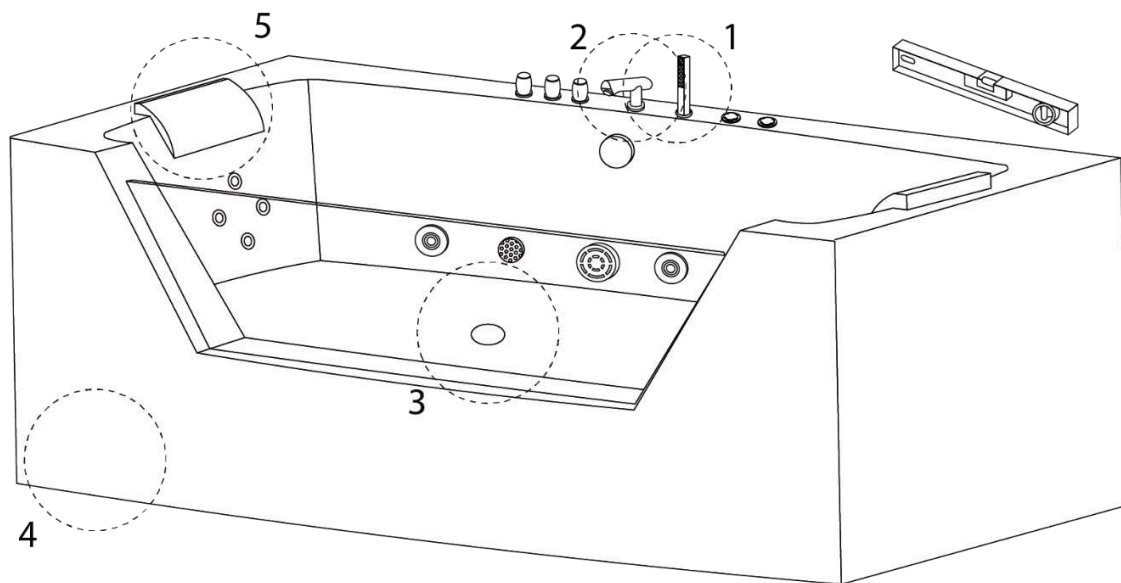


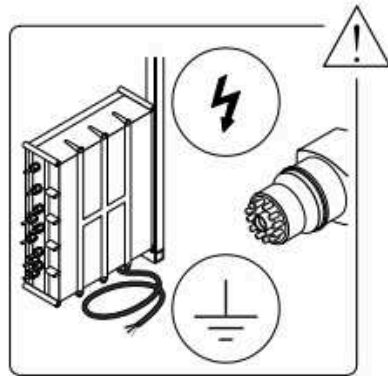
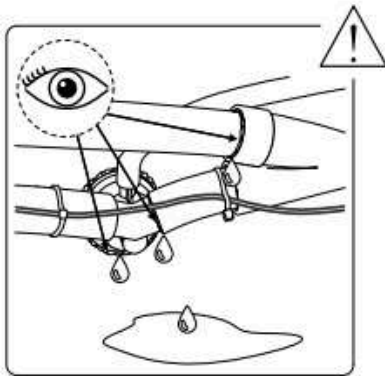
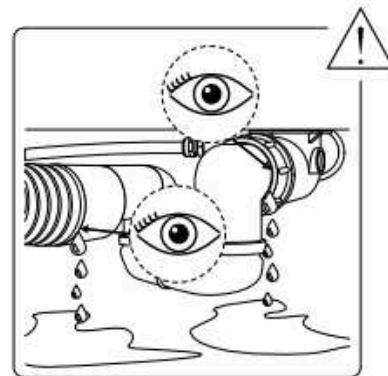
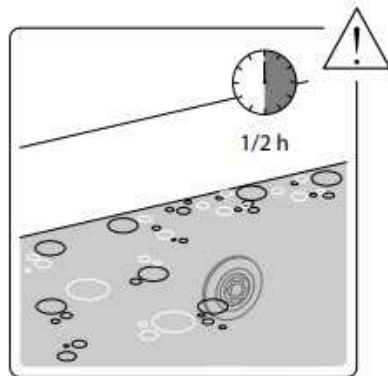
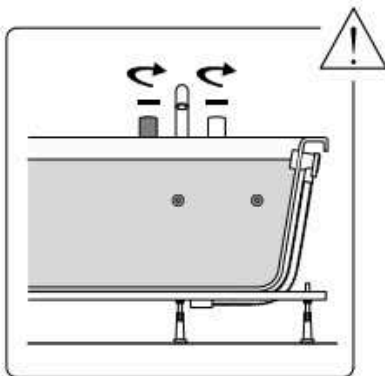
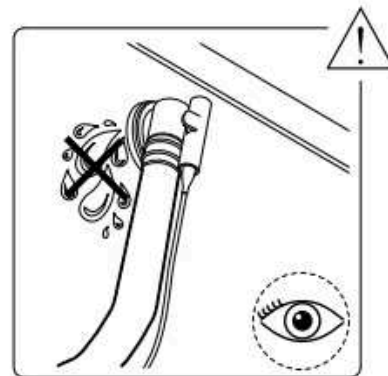
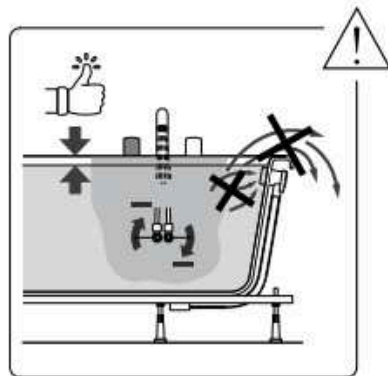
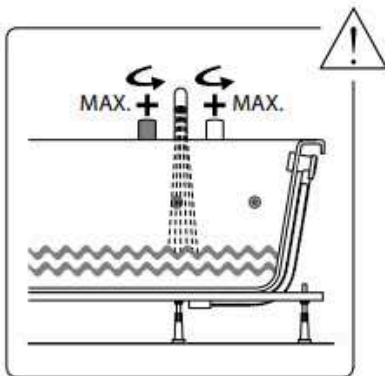
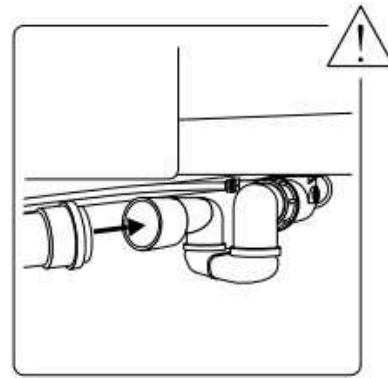
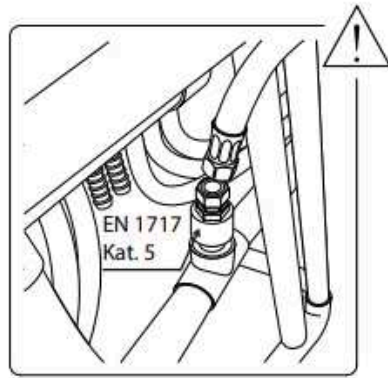
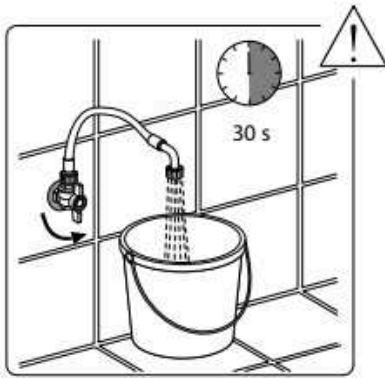
Fornitura dell'acqua

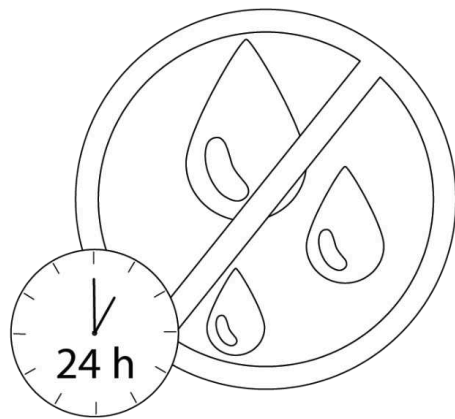
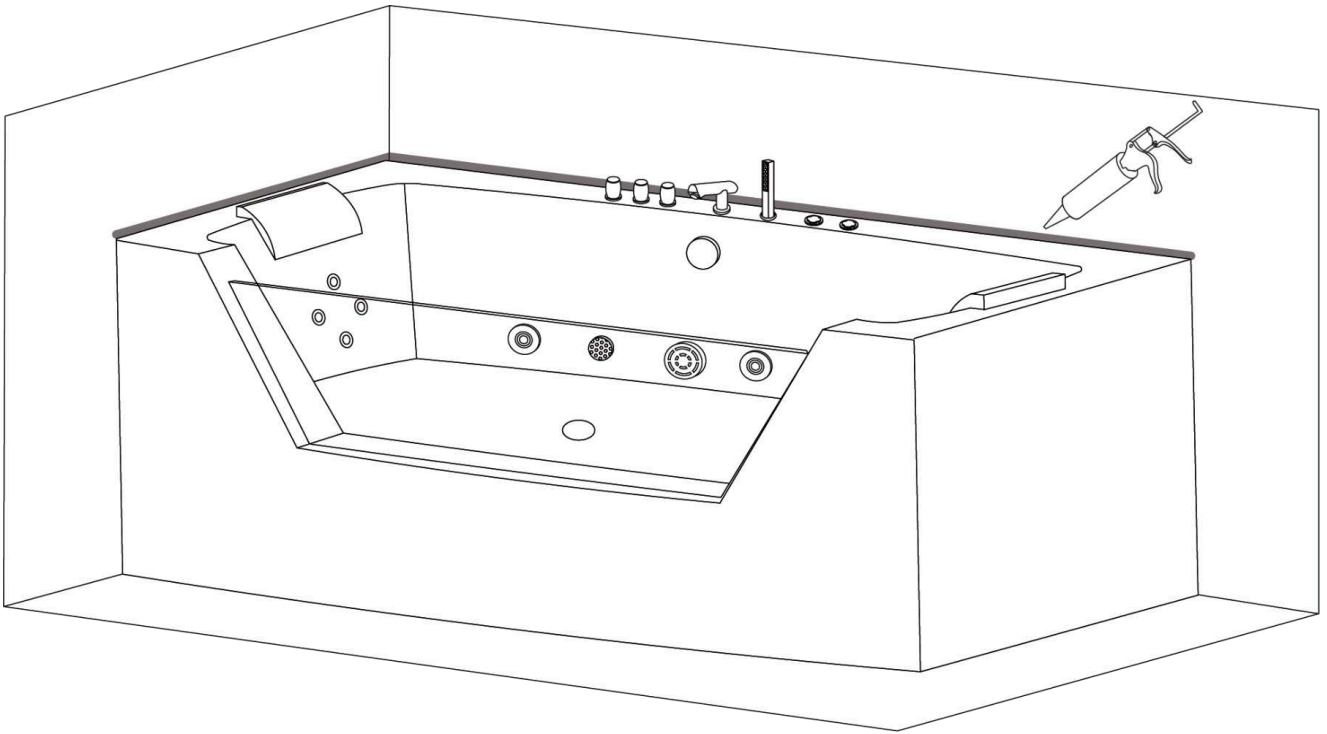


1. Acqua fredda
2. Acqua calda
3. Commutazione tra doccetta e rubinetto
4. Doccetta
5. Rubinetto a cascata









Istruzioni per l'uso della vasca da bagno

1. Accendere l'alimentazione.
2. Attivare la caldaia dell'acqua fredda e calda e regolare la temperatura.
3. Utilizzare il pannello di controllo per riempire la vasca da bagno con acqua sia dal rubinetto che dalla doccetta a mano.
4. Non attivare la pompa dell'acqua fino a quando il livello dell'acqua raggiunge i getti.
5. Utilizzare il regolatore dell'aria per regolare l'intensità del massaggio.
6. Ruotare la doccetta a mano per regolare gli effetti del massaggio.
7. La luce si accenderà e cambierà colore automaticamente quando si attiva la pompa dell'acqua. La luce si spegnerà quando si spegne la pompa dell'acqua.
8. Premere l'interruttore dell'aria per spegnere la pompa. Dopo l'uso, svuotare l'acqua e infine spegnere l'alimentazione.

Risoluzione dei problemi

Errore	Possibili motivi	Prova questo
La pompa dell'acqua non funziona	La spina di alimentazione non è collegata correttamente; la protezione contro le perdite non è collegata	Inserire correttamente la spina di alimentazione e collegare la protezione contro le perdite
	L'elica della pompa dell'acqua è bloccata da qualcosa di piccolo	Pulire l'elica della pompa dell'acqua
	La pompa dell'acqua è spenta	Accendere la pompa dell'acqua.
	La spina di alimentazione non è stata inserita correttamente	Collegare correttamente l'alimentazione elettrica
	Pompa dell'acqua guasta	Riparare o sostituire la pompa dell'acqua
I getti di massaggio non partono	Problema di tensione	Verificare la tensione
	Il pulsante On/Off non è acceso o non funziona	Controllare l'interruttore o sostituirlo
	La circolazione dell'acqua è bloccata	Pulire i tubi dell'acqua

La vasca da bagno non è livellata	I piedini regolabili non sono impostati correttamente	Regolare i piedini
Sfioro dell'acqua	Lo scarico dello sfioro è difettoso	Sostituire lo scarico dello sfioro
	Dadi allentati	Stringere i dadi
	Le parti di connessione non sono attaccate correttamente	Ispezionare l'adesivo delle parti di connessione

Pulizia

1. Utilizzare un panno morbido per scopi di pulizia, evitando l'uso di detersivi aggressivi contenenti acetone o ammoniaca. È strettamente vietato disinfettare utilizzando acido formico o formaldeide.
2. Se ci fosse un graffio sulla superficie, utilizzare carta vetrata bagnata con grana 2000 per lucidarla delicatamente. Successivamente, procedere a lucidarla ulteriormente utilizzando il dentifricio e un panno morbido.
3. I depositi di calcare possono essere rimossi utilizzando aceto o succo di limone.
4. Se la circolazione dell'acqua è bloccata, svitare gli ugelli e i tubi e pulirli.
5. I componenti placcati in oro e argento non richiedono una pulizia frequente.
6. Si prega di evitare di colpire la vasca da bagno con oggetti duri. Inoltre, evitare il contatto diretto tra la vasca da bagno e oggetti caldi che superano una temperatura di 70 °C (ad esempio, sigarette). Non pulire la vasca da bagno con sostanze chimiche contenenti candeggina.
7. Drenare l'acqua e scollegare il cavo di alimentazione dopo l'uso.
8. Pulizia del sistema di idromassaggio: Riempire la vasca da bagno con acqua calda a 40 °C e aggiungere 2 g di detersivo per litro. Far funzionare il sistema di idromassaggio per 5 minuti. Successivamente, spegnerlo e drenare l'acqua. Riempire nuovamente la vasca con acqua fredda e attivare il sistema di idromassaggio per 3 minuti. Ora è possibile drenare nuovamente l'acqua, e i getti di massaggio saranno puliti.

Precauzioni

1. L'installazione deve essere effettuata da un installatore idraulico qualificato. Seguire attentamente le istruzioni fornite nel manuale.

2. Acquistare tubi appropriati da fonti locali e farli collegare da uno specialista. Non utilizzare in alcun caso tubi di collegamento forniti dal venditore.
3. Prima dell'uso del prodotto e regolarmente, è necessario controllare e sigillare tutti i tubi da un tecnico specializzato. Durante il trasporto o nel corso del tempo, i tubi potrebbero staccarsi.
4. Durante l'installazione, il cliente deve assicurarsi che il pannello frontale sia facilmente accessibile in ogni momento per scopi di manutenzione e nel caso sia necessaria la sostituzione di parti.
5. I componenti elettrici devono essere conformi agli standard di sicurezza nazionali. Installare un interruttore differenziale di terra per l'alimentazione elettrica.
6. Non far scorrere acqua surriscaldata e attivare i getti solo quando il livello dell'acqua è sopra di essi.
7. Il dispositivo funziona a una tensione nominale di 230 V. Scollegare l'alimentazione dopo l'uso.
8. Si consiglia di non rimanere nella vasca da bagno per più di 30 minuti.
9. Riavviare il dispositivo occasionalmente.
10. Se il cavo di alimentazione è danneggiato, deve essere sostituito immediatamente.
11. Leggere attentamente il manuale dell'utente per evitare incidenti e altri danni.
12. Per prevenire l'accumulo di sporcizia, batteri e la formazione di muffe, è importante pulire e mantenere regolarmente la vasca da bagno o la vasca idromassaggio seguendo le istruzioni del produttore.
13. In caso di difetto, il cliente è tenuto a rimuovere la parte difettosa e a rimontarla.

Informazioni generali sulla funzionalità e l'uso

Drenare l'acqua dopo ogni bagno. Non lasciare mai i bambini da soli nella vasca da bagno.

Istruzioni per la cura della vasca idromassaggio

La superficie è facile da pulire e mantenere. La superficie liscia attira difficilmente lo sporco. Manutenzione regolare: spugna, panno morbido, un po' di detergente antistatico. In questo modo, la vasca da bagno mantiene il suo splendore e diventa resistente allo sporco. Evitare l'uso di detersivi abrasivi o a base di solventi che potrebbero danneggiare la superficie della vasca. Per lo sporco ostinato, utilizzare un detergente liquido per la casa come detergente per piatti o soluzione di sapone (seguire le istruzioni di diluizione). Rimuovere le macchie di calcare con un anticalcare.

Risciacquare sempre abbondantemente con acqua pulita e lucidare con un panno. Non utilizzare agenti di pulizia acidi o detergenti a base di aceto.

Danni

Le superfici graffiate dovrebbero essere trattate da un professionista. Trattare con una pasta lucidante priva di solventi. Se necessario, la superficie può essere prima trattata con carta vetrata bagnata (n°800, seguita da n°1200) prima della lucidatura. Non utilizzare solventi a base di alcol o acetone. I danni derivanti da un utilizzo improprio non sono coperti dalla nostra garanzia.



Attenzione! Quando bagnata, la superficie presenta un rischio aumentato di scivolamento. Questo è particolarmente vero quando si utilizzano saponi, shampoo, oli da bagno, ecc.

Soggetto a modifiche

Beliani si riserva il diritto di apportare modifiche o miglioramenti al prodotto senza preavviso.

Importatore:

Beliani GmbH, Haldenstrasse 5, 6340 Baar, Svizzera

Dichiarazione di prestazione

1. Identificatore univoco del tipo di prodotto: Numero del prodotto nella parte inferiore della pagina
2. Utilizzo previsto: vasche idromassaggio per uso domestico per l'igiene personale (PH)
3. Importatore:
Beliani GmbH
Haldenstrasse 5
6340 Baar
Svizzera
Telefono +41 43 5082233
4. Rappresentante autorizzato: %
5. Sistema di valutazione e verifica della costanza delle prestazioni: Sistema 4
 - a. Norma armonizzata: EN 12764:2015
Organismo notificato: %
 - b. Documento di Valutazione Europea: %
Valutazione tecnica europea: %
Organismo di valutazione tecnica: %
Organismo notificato: %
6. Prestazioni dichiarate:
Caratteristiche essenziali Prestazioni Specifiche tecniche armonizzate
Sicurezza contro
Impigliamento dei capelli (HE) Superato EN 12764:2004+A1:2008
Pulibilità (CA) Superato EN 12764:2004+A1:2008
Durata (DA) Superato EN 12764:2004+A1:2008
7. Documentazione tecnica appropriata o documentazione tecnica specifica:
Rapporto n.: 50074404 001 TÜV Rheinland

Le prestazioni del prodotto sopra indicato corrispondono alle prestazioni dichiarate. L'importatore sopra indicato è unicamente responsabile per la preparazione della dichiarazione di prestazione in conformità con il Regolamento (UE) n. 305/2011.

Appendice

Numero articolo	Nome articolo	Potenza
1213 MONTEGO	Vasca da bagno con funzione massaggiante	HE + CA + DA
1218 SAMANA	Vasca da bagno con funzione massaggiante	HE + CA + DA
1219 MARTINICA	Vasca da bagno con funzione massaggiante	HE + CA + DA
15497 TOCOA	Vasca da bagno con funzione massaggiante	HE + CA + DA
13720 SALAMANCA	Vasca da bagno con funzione massaggiante	HE + CA + DA
14894 MONTEGO	Vasca da bagno con funzione massaggiante	HE + CA + DA
1216 PARADISO	Vasca da bagno con funzione massaggiante	HE + CA + DA
1217 PARADISO	Vasca da bagno con funzione massaggiante	HE + CA + DA
1223 VARADERO	Vasca da bagno con funzione massaggiante	HE + CA + DA
14892 PARADISO	Vasca da bagno con funzione massaggiante	HE + CA + DA

Firmato per l'importatore e a nome del produttore da:
Michael Widmer, Amministratore Delegato



6340 Baar, 13.05.2020

Norsk (NO)

Monteringsinstruksjoner for badekar

Produsent og importør:

Beliani GmbH, Haldenstrasse 5, 6340 Baar, Sveits



Bruksanvisning

Les nøye gjennom denne bruksanvisningen før installasjon.

Inspeksjon av varene ved levering

Ved mottak, sjekk produktet for komplett leveranse og eventuelle skader. Hvis det er skader, må du informere selgeren umiddelbart. Vi er ikke ansvarlige for skader som oppstår under eller etter installasjon.

Løfting/flytting av badekaret

For å løfte eller flytte badekaret, ta tak i kantene - aldri i slanger eller installasjonsdeler.

Legging av rør

Rør må ikke legges under badekaret.

Beskyttelse mot skader

Bruk egnede beskyttelsesdeksler for å forhindre skader på overflaten og blokkeringer forårsaket av skitt eller støv under monteringsprosessen. Før du starter installasjonen, dekk midlertidig til sensitive komponenter som avløp, dyser og kontrollpanelet med beskyttelsesdeksler.

Spesielle sikkerhetsregler

Ved rengjøring av flisene bør du sørge for at ammoniakk eller lignende aggressive rengjøringsmidler ikke kommer i kontakt med de innebygde komponentene.

Elektrisk tilkobling (230 V)

Denne oppgaven bør kun utføres av en kvalifisert elektriker. Sørg for at det er installert beskyttelse gjennom en jordfeilbryter (30 mA).

Sikkerhetsregler

Under installasjonen av badekaret må det tas hensyn til flere enkle trinn for å forebygge potensielle ulykker. Installeringen bør kun utføres av kvalifiserte teknikere. Badekaret må tilkobles en spenning på 230 V AC ved 50 Hz. Enheten må kobles til en jordfeilbryter med en nominell jordfeilstrøm som ikke overstiger 30 mA. I tillegg må den elektriske anlegget være utstyrt med en strømbryter for å sikre at alle polene kobles fra strømforsyningen.

Det må etableres enspenningstilkobling mellom metallkomponentene i badekaret i henhold til gjeldende regler i hvert enkelt land. Deler med spenningsførende komponenter, med unntak av de som opererer med en beskyttende ekstra lav spenning som ikke overstiger 12 V, må være utilgjengelige for personen som befinner seg i badekaret. Elektriske komponenter må plasseres eller sikres på en slik måte at de ikke kan falle ned i badekaret.



Vannforbindelser for vannmassasje eller overløp

Så snart vanninntaket er under kanten av badekaret, må det etableres en forbindelse med en sikkerhetsenhet i samsvar med EN 1717 (Fluid category 5). Dette kan for eksempel innebære bruk av en likestrøms sikkerhetsenhet (f.eks. en type 1-røravbryter med permanent tilkobling til atmosfæren) i samsvar med spesifikke installasjonskrav. Denne tilkoblingen må kun utføres av en kvalifisert spesialist. Disse retningslinjene gjelder for følgende scenarier:

- A. Alle badekar som fylles gjennom overløpet.
- B. Alle badekar som er tilkoblet og fylles gjennom dysene til vannmassasjen i den eksisterende T-koblingen.

I begge tilfeller må tilkoblingen utføres ved hjelp av en forsterket elastisk slange som er i stand til å transportere forhåndsblandet varmt og kaldt vann.

Volumstrøm: Maksimalt 20 liter/minutt (EN 200)

Overløpskapasitet: Minimum 36 liter/minutt (EN 274)

Avløpskapasitet: Minimum 48 liter/minutt (EN 274)

Permanent installasjon

Vedlikeholdsluker bør ha dimensjoner på minst 50 x 50 cm, slik at tekniske komponenter som pumpe, vifte, ventiler, koblingsboks og andre tilkoblinger er tilgjengelige. Bruk helst avtakbare sidepaneler, men prioriter alltid stive elementer.

I tillegg anbefales det å installere 20 x 20 cm vedlikeholdsluker for drenering/overløp, for å sikre riktig støydemping under installasjonen.

For å oppnå god ventilasjon er det nødvendig å montere en ventilasjonsrist (ikke inkludert). Avhengig av badekarmmodell plasseres ventilasjonsristen i veggkledningen i nærheten av enhetene. På innsiden av luken kan det monteres et ventilasjonsgitter (minimum 150 cm) for å tilføre luft til viften. Alternativt kan du vurdere å plassere en vedlikeholdsluke/ventilasjonsrist i det tilstøtende rommet.

For å optimalisere lydisoleringen, installer ventilasjonsristen med lyddempende materialer. Det er også akseptabelt å plassere ventilasjonsristen i det tilstøtende rommet, hvis det er egnet.

Når plassen er begrenset: Hvis det ikke er tilstrekkelig plass til en vedlikeholdsluke, anbefales det å "overflatemontere" for å tillate fullstendig demontering av badekaret når det er nødvendig. Sørg for at avløpsrøret, elektriske tilkoblinger og eventuelt vannforsyningsrør kan kobles fra gjennom ventilasjonsåpningen. Tett hele omkretsen av badekarkanten med silikon (acetatfri).

Badekaret skal plasseres på en overflate som støtter vannet (f.eks. fliser) og med en liten skråning utover, slik at eventuell lekkasje eller vannsøl vil komme ut under sokkelen og ikke samle seg under badekaret. Garantien dekker ikke vannskader forårsaket av dårlig installasjon. Det anbefales å ikke fliselegge boblebadet helt rundt. Vannpumpen, luftpumpen og ozondesinfeksjonen krever luftsirkulasjon.

Vann bør ikke helles direkte i dusjholderen under bruk. Garantien dekker ikke vannskader forårsaket av misbruk. De interne komponentene i badekaret må være lett tilgjengelige, ellers dekker ikke garantien tilgangen til de interne komponentene i tilfelle feil.

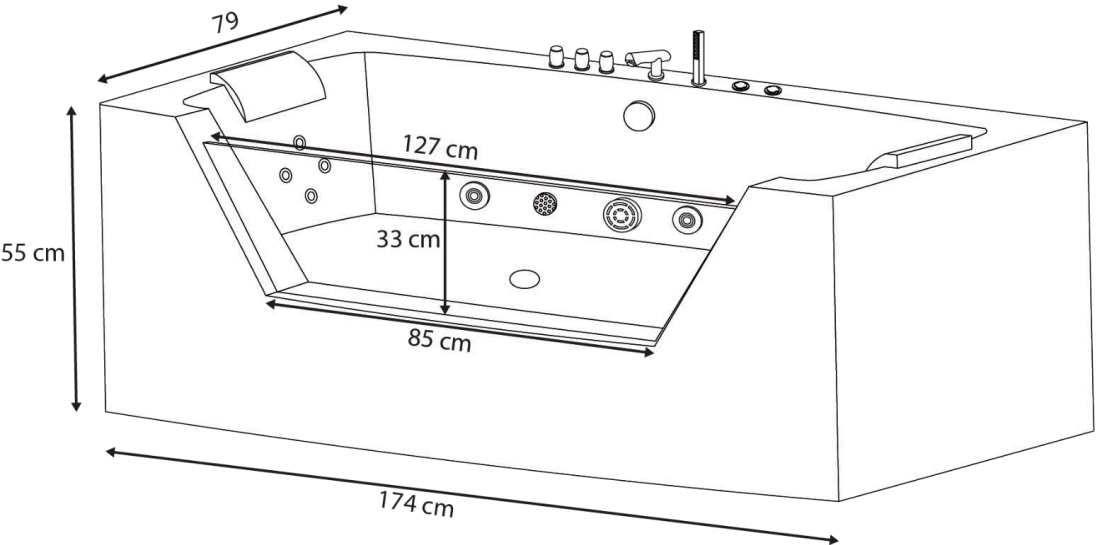
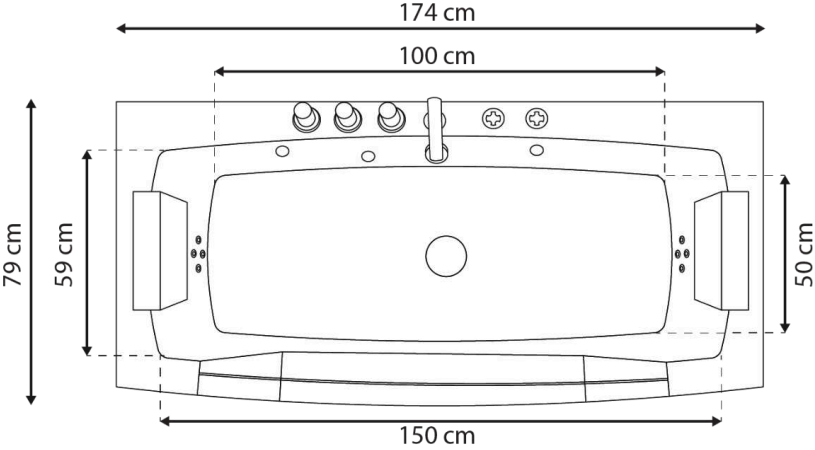
Kontroll av lekkasjer

Etter å ha koblet til vanninntaket og avløpet til badekaret, må det fylles og sjekkes for lekkasjer. Kontroller følgende funksjoner ved hjelp av kontrollpanelet:

- A. Luftsistem
- B. Innstillinger for vannpumpe

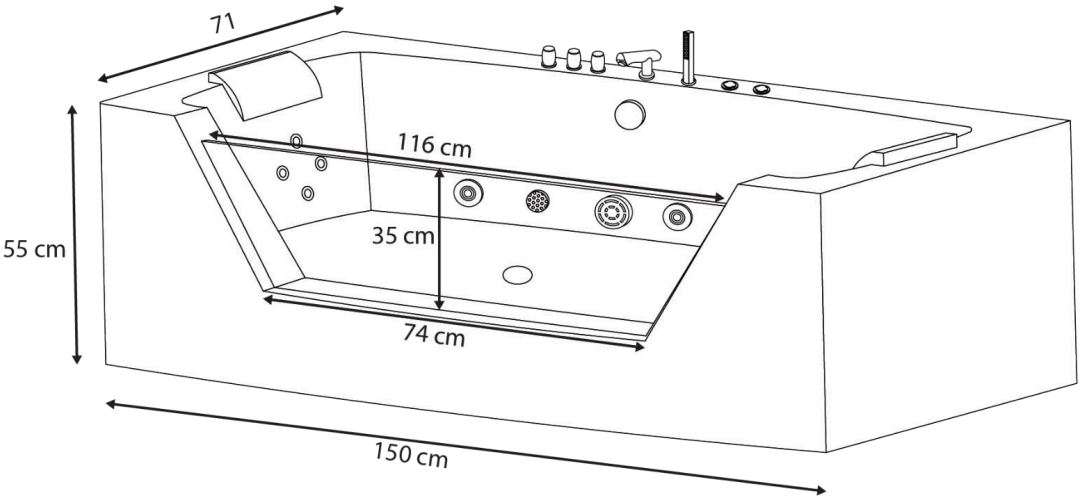
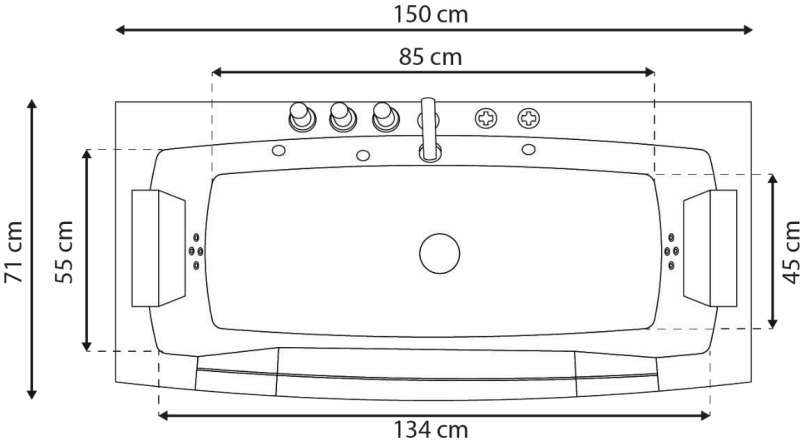
Badekarets vanntemperatur bør ikke overstige 40 °C.

MODELL RT1708 1740*790*550mm



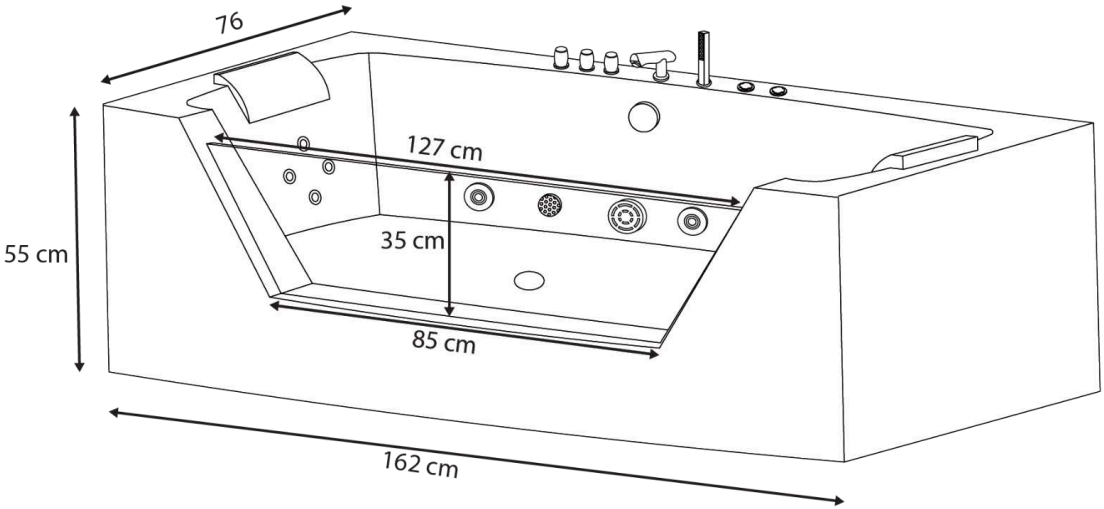
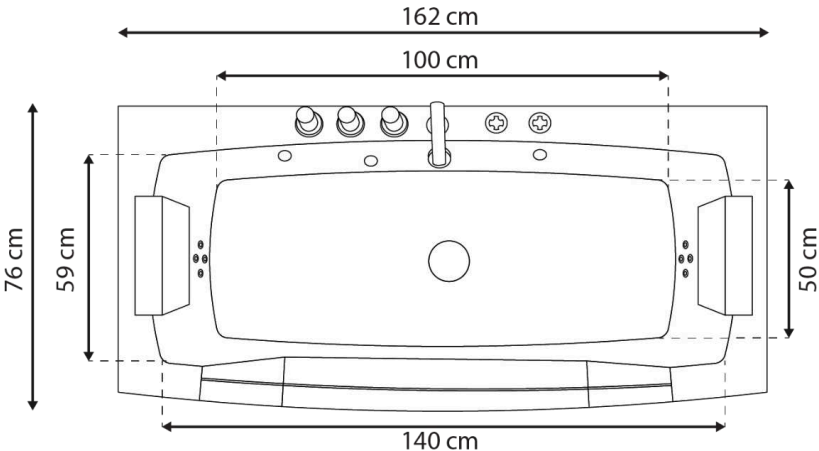
+/- 2 cm

MODELL RT1503 1500*710*550mm



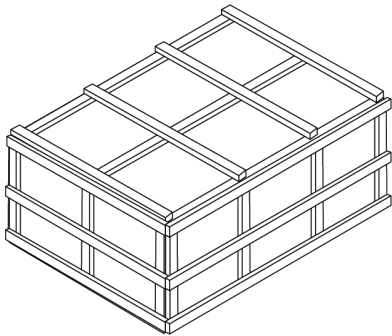
+/- 2 cm

MODELL RT1603 1620*760*550mm

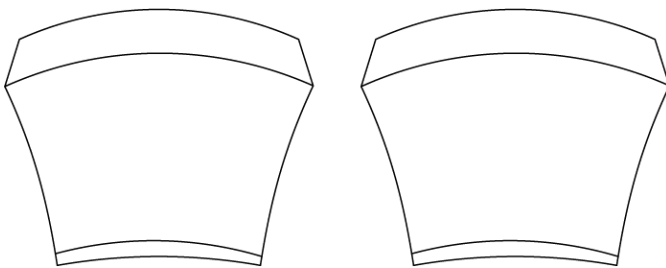


+/- 2 cm

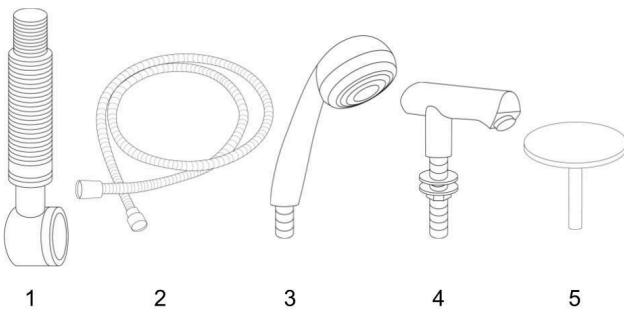
Pakkeinnhold



Bruk saks for å åpne emballasjen;
Sjekk at alle deler er inne i
emballasjen.

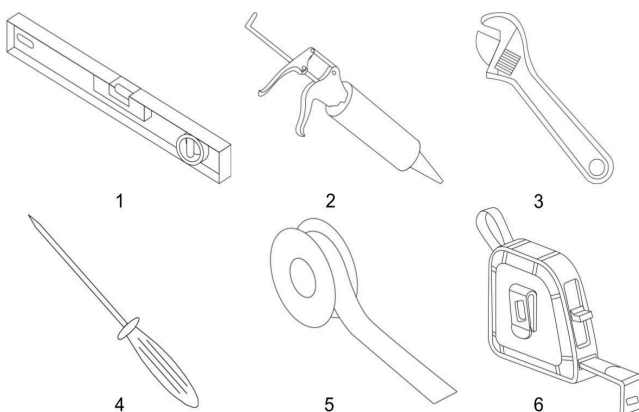


2 x Nakkestøtte



Tilbehørseske

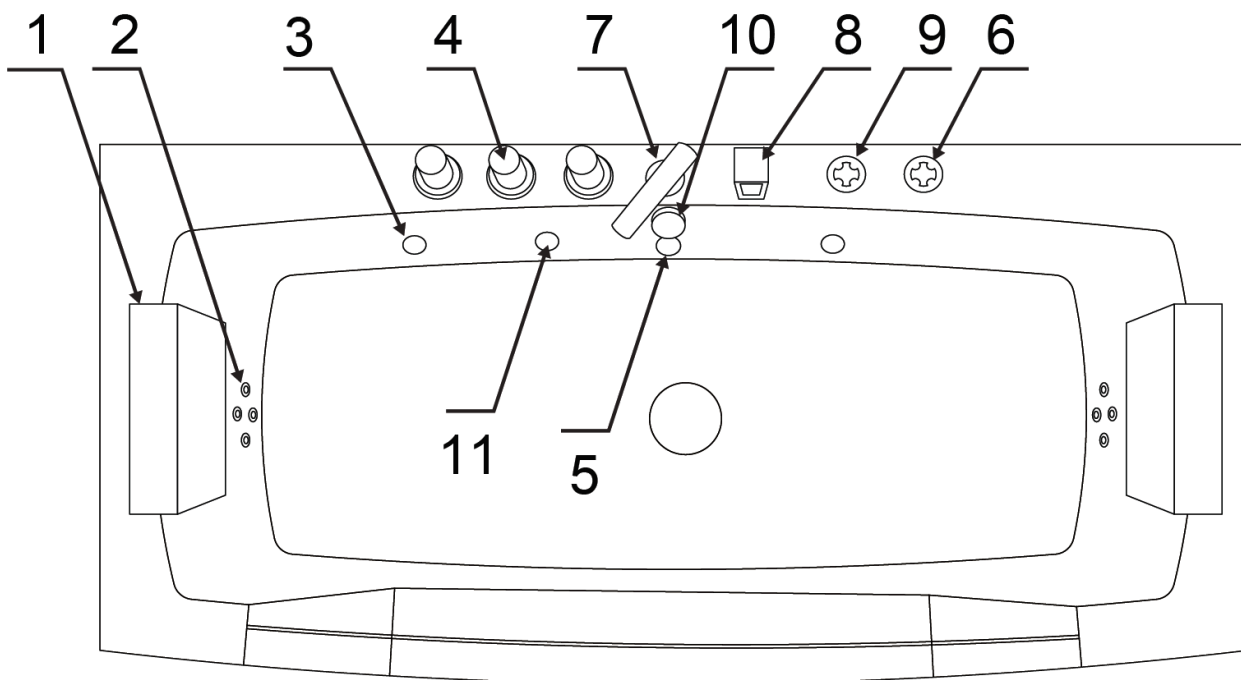
1. 1x Avløp
2. 1x Hånddusjslange
3. 1x Hånddusj
4. 1x Fossefall vanninnløp
5. 1x Avløpsdeksel



Verktøy som trengs for montering

1. Vater
2. Tetningsmasse
3. Justerbar skiftenøkkel
4. Skrutrekker
5. PTFE gjengetetningstape
6. Målebånd

Forberedelse
Montering av badekar

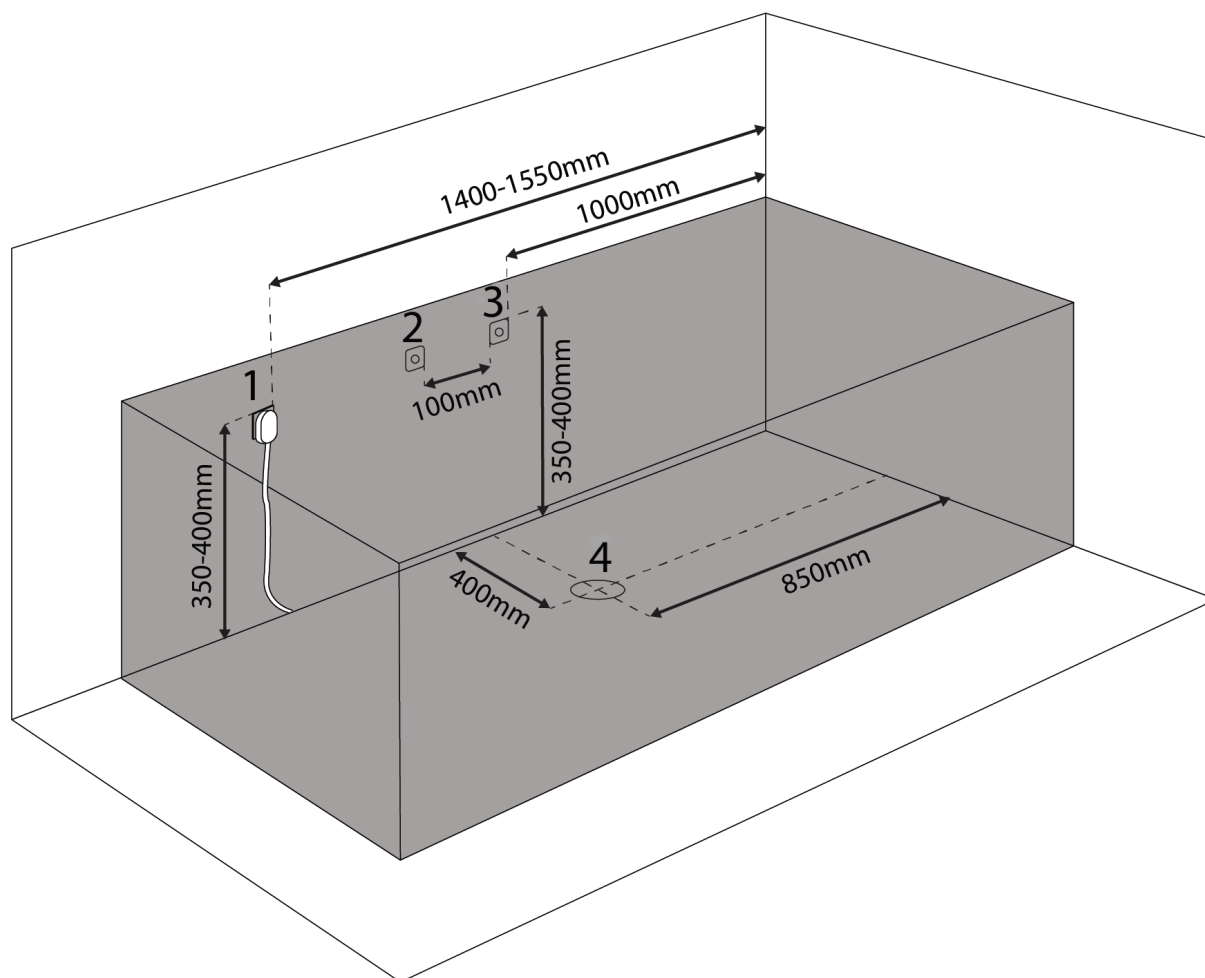


Artikkel	Beskrivelse	Artikkel	Beskrivelse
1	Nakkestøtte	2	Små stråler
3	Store stråler	4	Kran
5	Sug	6	Av/på-bryter
7	Vannkran	8	Hånddusj
9	Regulator	10	Avløpsregulator
11	Undervannsllys		

Elektriske parametere

Nominell spenning	Nominell frekvens	Maks. nominell effekt	Maks. nominell effekt
230 V	50 Hz	2600 W	11.8 A

1. Skal kun utføres av en kvalifisert elektriker. Sørg for beskyttelse gjennom en RCD (30 mA).
2. En jordfeilbryter må være tilstede i strømforsyningen. Elektriske kabler må være sikret. Størrelsen på elektriske kabler skal ikke være mindre enn 2,5 mm². Strømforsyningsutstyret må være i samsvar med nasjonale regler.
3. Advarsel: Når du bruker elektriske apparater, følg sikkerhetsreglene.
4. Fare: Risiko for elektrisk støt. Koble kretser kun når de er beskyttet av en jordfeilbryter (GFCI). En jordfeilbryter (GFCI) er ikke inkludert, men vi vil gi deg all nødvendig informasjon om den. En jordfeilbryter (GFCI) er påkrevd i henhold til loven.

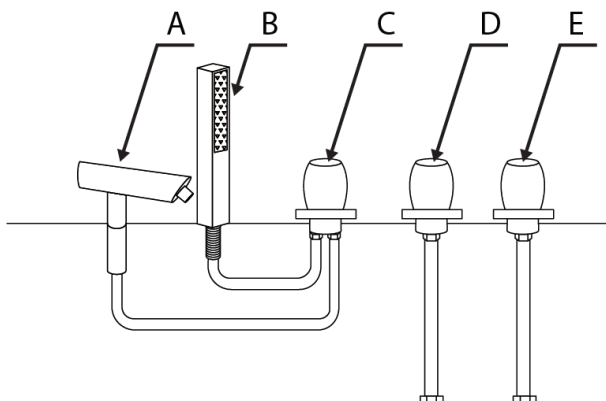


Uttakets plan

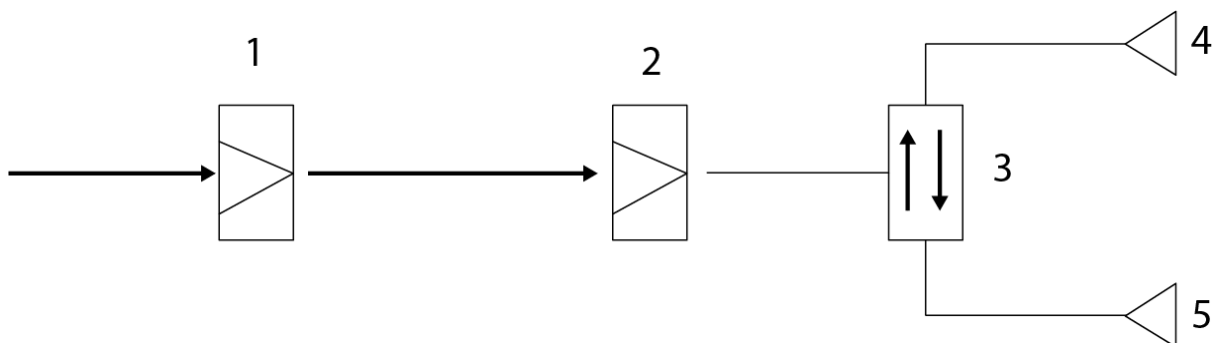
1. Elektrisk uttak
2. Varmt vann
3. Kaldt vann
4. Avløpshull

Plan for tilkobling

- A. Fossefallskran
- B. Hånddusj
- C. Bytte mellom hånddusj og kran
- D. Innløp for varmt vann
- E. Innløp for kaldt vann

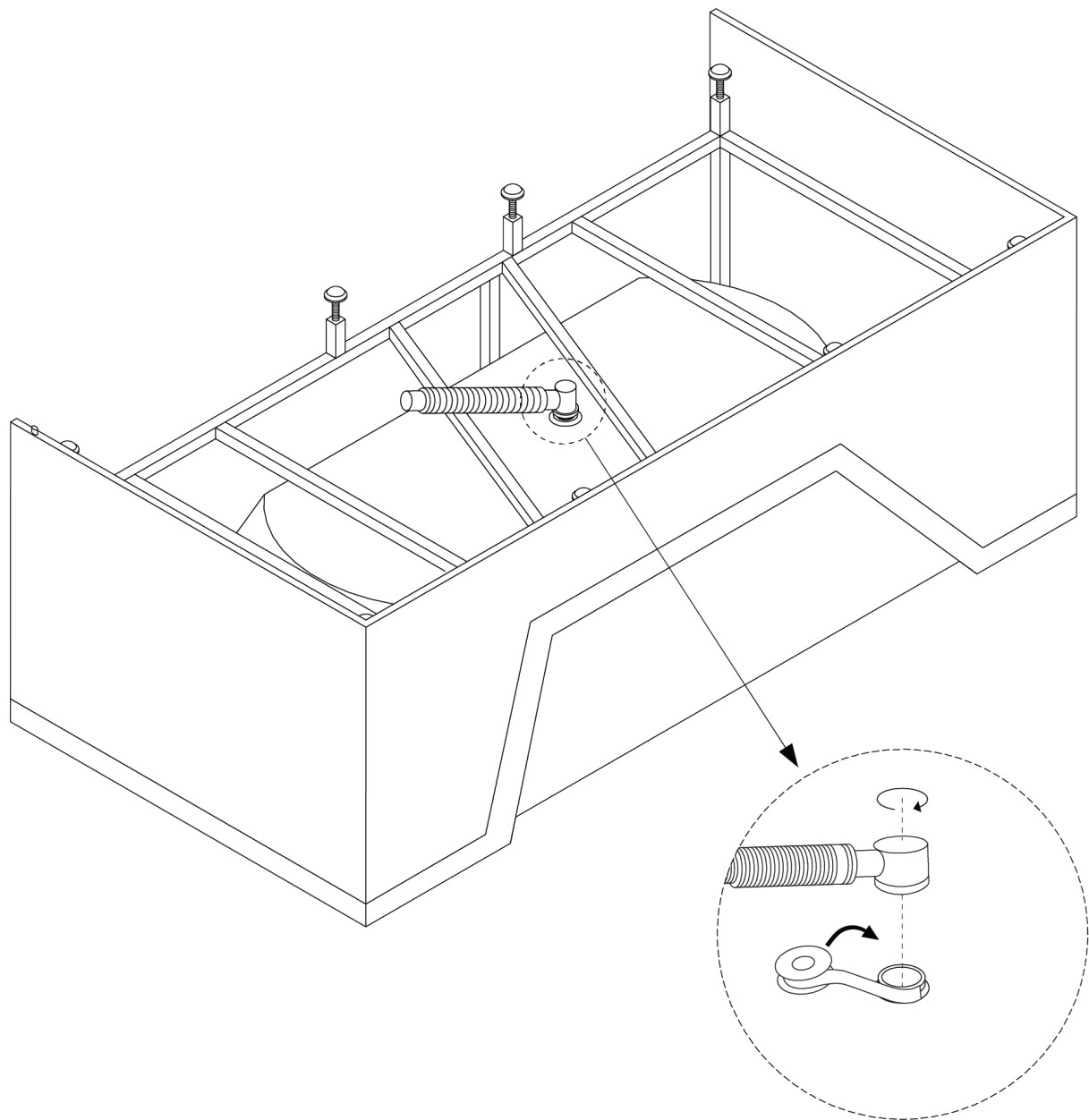


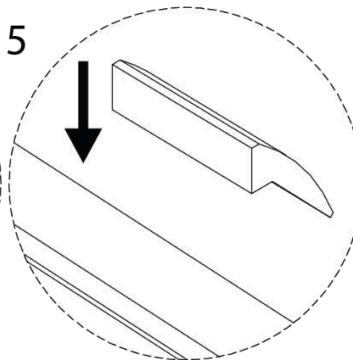
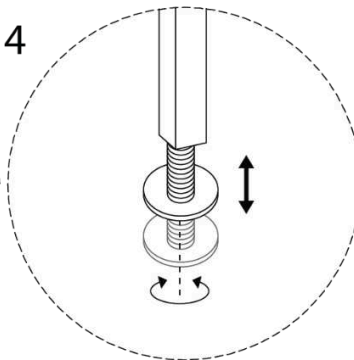
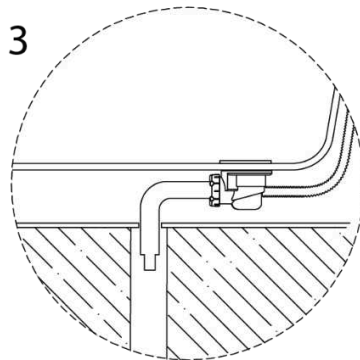
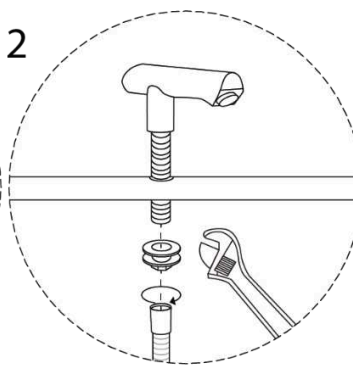
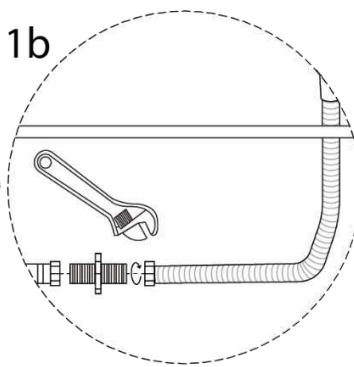
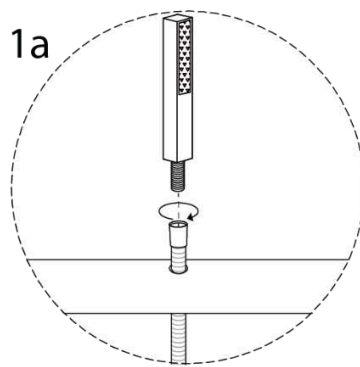
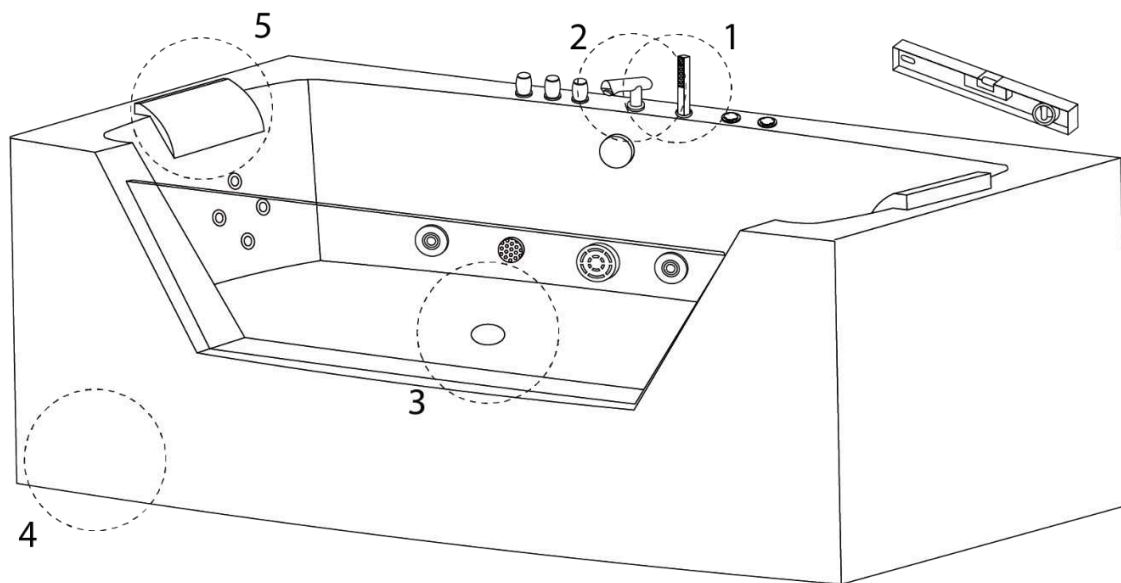
Vannforsyning

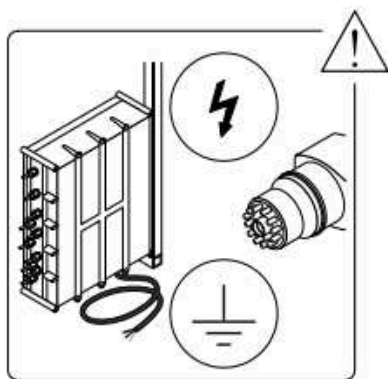
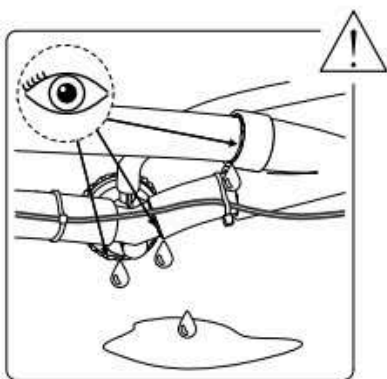
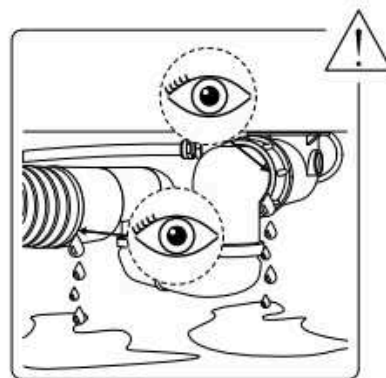
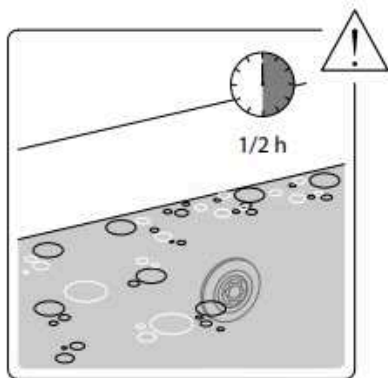
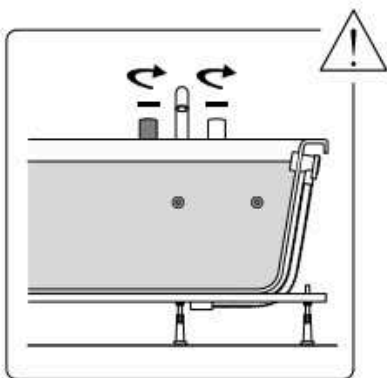
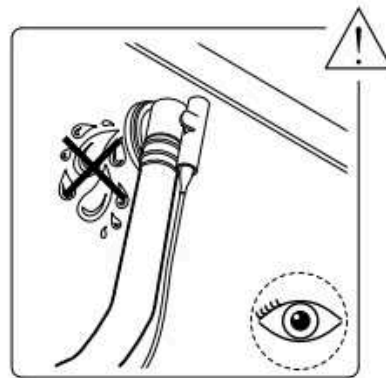
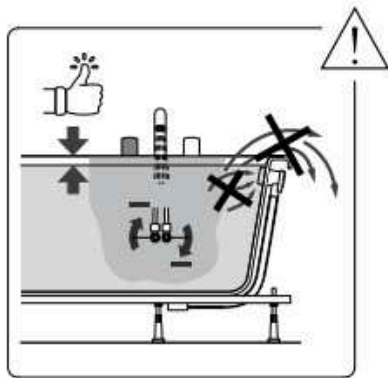
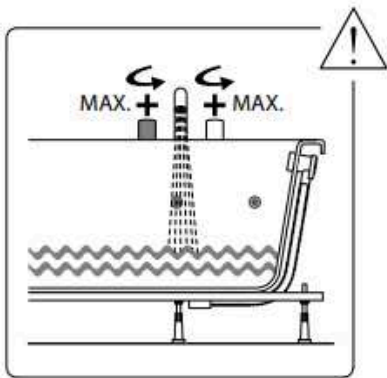
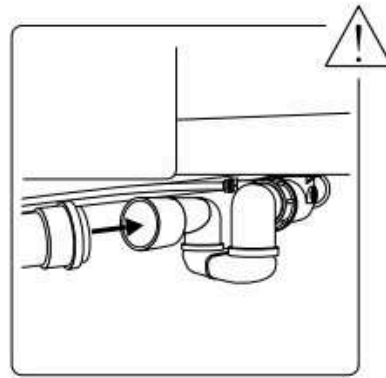
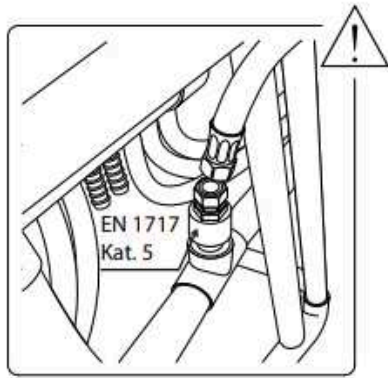
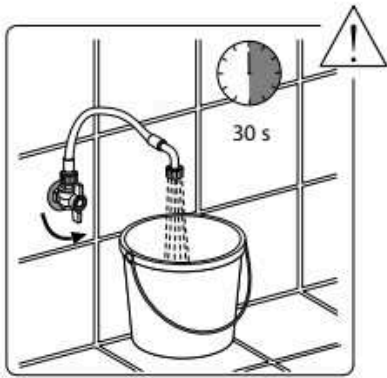


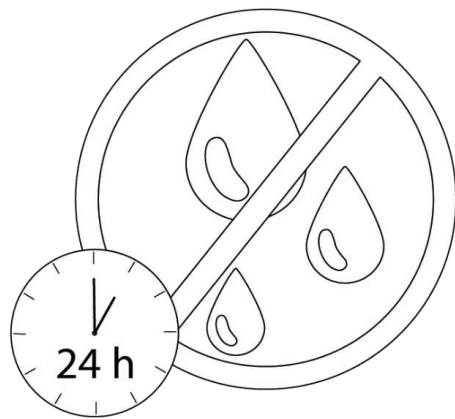
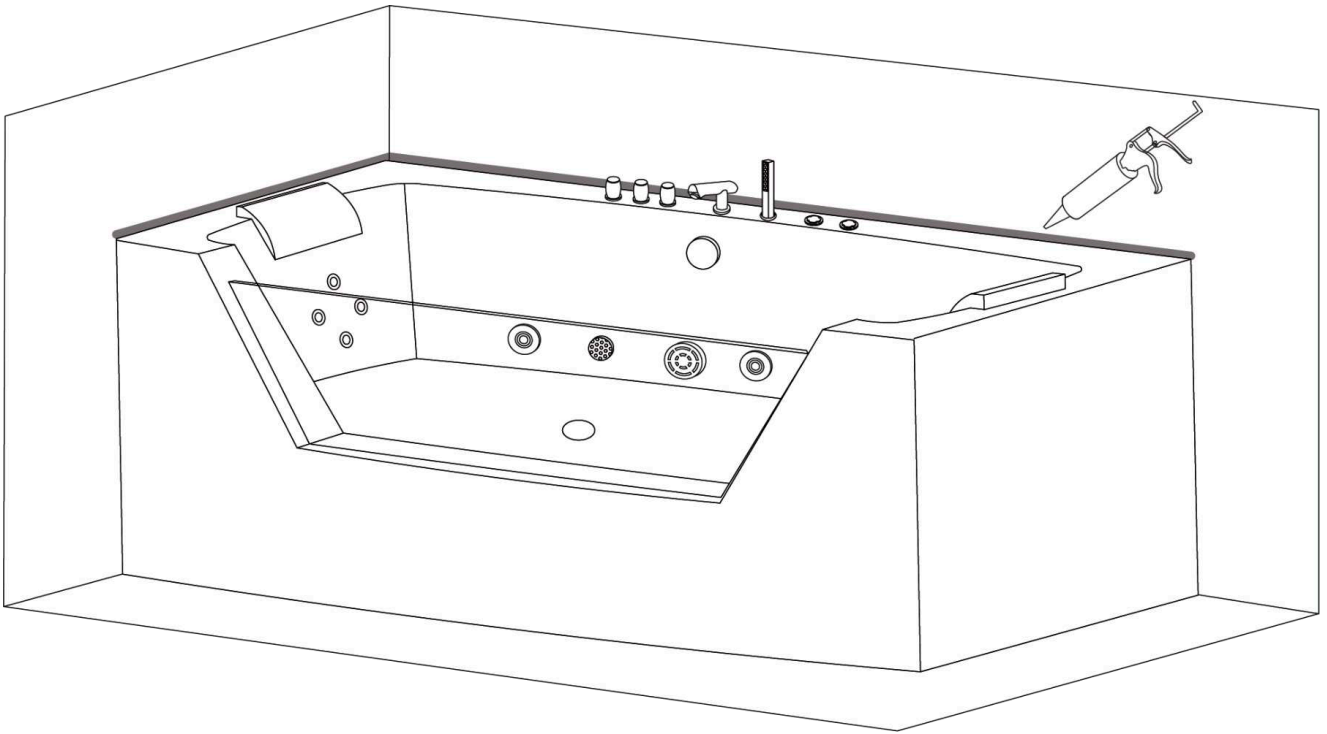
1. Kaldt vann

2. Varmt vann
3. Veksling mellom håndduşj og kran
4. Håndduşj
5. Fossefallskran









Instruksjon om hvordan du bruker badekaret

1. Slå på strømmen.
2. Skru på kaldt- og varmtvannsberederen og juster temperaturen.
3. Bruk kontrollenheten til å fylle badekaret med vann enten fra kranen eller hånddusjen.
4. Ikke aktiver vannpumpen før vannstanden når dysene.
5. Bruk luftregulatoren til å justere massasjestyrken.
6. Roter hånddusjen for å justere massasjeeffekten.
7. Lyset vil slå seg på og endre farger automatisk når du slår på vannpumpen. Lyset vil slå seg av når du slår av vannpumpen.
8. Trykk på luftbryteren for å slå av pumpen. Tøm vannet etter bruk, og til slutt slå av strømmen.

Feilsøking

Feil	Mulige årsaker	Prøv dette
Vannpumpen fungerer ikke	Strømpluggen er ikke ordentlig koblet til; lekkasjebeskyttelsen er ikke tilkoblet	Koble til strømpluggen og tilkoble lekkasjebeskyttelsen
	Vannpumpens impeller er blokkert av noe smått	Rengjør vannpumpens impeller
	Vannpumpen er slått av	Slå på vannpumpen.
	Strømpluggen er ikke satt inn riktig	Sett inn strømforsyningspluggen riktig
	Ødelagt vannpumpe	Reparer eller erstatt vannpumpen
Massasjedyser starter ikke	Spenningsproblem	Sjekk spenningen
	På/av-knappen er ikke på eller fungerer ikke	Sjekk bryteren eller erstatt den
	Vannsirkulasjon er blokkert	Rengjør vannrørene
Badekaret er ikke i vater	Justerbare føtter er ikke satt riktig	Juster føttene
Vannoversvømmelse	Overløpsavløpet er defekt	Bytt ut overløpsavløpet
	Mutrene er løse	Stram mutrene

	Tilkoblingsdeler er ikke riktig festet	Inspekter limet på tilkoblingsdelene
--	--	--------------------------------------

Rengjøring

1. Bruk en myk klut til rengjøring, unngå bruk av sterke rengjøringsmidler som inneholder acetone eller ammoniakk. Det er strengt forbudt å desinfisere med maursyre eller formaldehyd.
2. Hvis det er en ripe på overflaten, bruk våtslipepapir med 2000-korn for å polere den forsiktig. Deretter kan du polere videre med tannkrem og en myk klut.
3. Kalkavleiringer kan fjernes ved å bruke eddik eller sitronsaft.
4. Hvis vannsirkulasjonen er blokkert, skru av dysene og rørene og rengjør dem.
5. Hyppig rengjøring er ikke nødvendig for komponenter som er belagt med gull eller sølv.
6. Unngå å slå badekaret med harde gjenstander. I tillegg må du unngå direkte kontakt mellom badekaret og varme gjenstander som overskrider en temperatur på 70 °C (for eksempel sigaretter). Ikke rengjør badekaret med kjemiske stoffer som inneholder blekemiddel.
7. Tøm vannet og koble fra strømledningen etter bruk.
8. Rengjøring av vannmassasjesystemet: Fyll badekaret med 40 °C varmt vann og tilsett 2g vaskemiddel per liter. La massasjesystemet gå i 5 minutter. Stopp det deretter og tøm vannet. Fyll badekaret igjen med kaldt vann og aktiver massasjesystemet i 3 minutter. Du kan nå tømme vannet igjen, og massasjedysene dine er rengjort.

Sikkerhetstiltak

1. Installasjonen skal utføres av en kvalifisert rørlegger. Vennligst følg instruksjonene som er gitt i manualen.
2. Passende slanger skal anskaffes fra lokale kilder og kobles til av en spesialist. Under ingen omstendigheter skal slanger som er levert av selgeren brukes.
3. Alle slanger må kontrolleres og forsegles av en fagperson før produktet tas i bruk, og deretter regelmessig. Slangene kan løsne under transport eller over tid.
4. Når du installerer produktet, må du sørge for at frontpanelet er lett tilgjengelig til enhver tid for vedlikeholdsformål og i tilfelle deler må byttes ut.
5. Rengjør og vedlikehold badekaret eller boblebadet regelmessig i henhold til produsentens anvisninger for å forhindre ansamling av smuss og bakterier, samt muggvekst.

6. I tilfelle defekt, er kunden ansvarlig for å fjerne den defekte delen og montere den på nytt.
7. Elektriske komponenter skal være i samsvar med nasjonale sikkerhetsstandarder. Installer en jordfeilbryter for strømforsyningen.
8. Ikke bruk overopphetet vann, og aktiver dysene bare når vannstanden er over dem.
9. Enhetens driftsspenning er 230V. Koble fra strømforsyningen etter bruk.
10. Det anbefales å ikke være i badekaret i mer enn 30 minutter.
11. Start enheten på nytt av og til.
12. Hvis strømledningen er skadet, må den byttes umiddelbart.
13. Les brukermanualen nøye for å unngå ulykker og annen skade.

Generell informasjon om funksjonalitet og bruk

Tøm vannet etter hver bading. La aldri barn være i badekaret uten tilsyn.

Instruksjoner for vedlikehold av massasjebad

Overflaten er enkel å rengjøre og vedlikeholde. Den glatte overflaten tiltrekker seg sjelden smuss. Regelmessig vedlikehold: Bruk en svamp, en myk klut og antistatisk rengjøringsmiddel. På denne måten beholder badekaret sin glans og blir smussavvisende. Unngå bruk av abrasive eller løsemiddelbaserte rengjøringsmidler som kan skade overflaten på karet. Ved fastsittende smuss kan du bruke et flytende rengjøringsmiddel, for eksempel oppvaskmiddel eller såpeløsning (følg fortynningsinstruksjonene). Fjern kalkflekker med kalkfjerner. Alltid skyll godt med rent vann og poler med en klut. Ikke bruk sure rengjøringsmidler eller eddikbaserte rengjøringsmidler.

Skader

Riper i overflaten bør håndteres av en fagperson. Behandle med polerpasta uten løsemidler. Hvis nødvendig, kan overflaten først behandles med våtslipepapir (nr. 800, etterfulgt av nr. 1200) før polering. Ikke bruk løsemiddelbaserte rengjøringsmidler som inneholder alkohol eller acetone. Skader som oppstår som følge av feil brukerhåndtering dekkes ikke av garantien vår.



Vær forsiktig! Når overflaten er våt, øker risikoen for å skli. Dette gjelder spesielt når såper, sjampo, badeoljer osv. blir brukt.

Forbehold om endringer

Beliani forbeholder seg retten til å gjøre endringer eller modifikasjoner på produktet uten forhåndsvarsel.

Importør:

Beliani GmbH, Haldenstrasse 5, 6340 Baar, Sveits

Ytelseserklæring

1. Produkttype unik identifikator: Produktnummeret nederst på siden
2. Tilsiktet bruk: massasjebad for husholdningsbruk til personlig hygiene (PH)
3. Importør:
Beliani GmbH
Haldenstrasse 5
6340 Baar
Sveits
Telefon +41 43 5082233
4. Autorisert representant: %
5. System for vurdering og verifisering av konstant ytelse: System 4
 - a. Harmonisert standard: EN 12764:2015
Meldt organ: %
 - b. Europeisk vurderingsdokument: %
Europeisk teknisk vurdering: %
Teknisk vurderingsorgan: %
Meldt organ: %
6. Deklarerte ytelser:
Vesentlige egenskaper Ytelse Harmonisert teknisk spesifikasjon
Sikkerhet mot
Hårfiltrering (HE) Bestått EN 12764:2004+A1:2008
Rengjørbarhet (CA) Bestått EN 12764:2004+A1:2008
Holdbarhet (DA) Bestått EN 12764:2004+A1:2008
7. Passende teknisk dokumentasjon eller spesifikk teknisk dokumentasjon:
Rapport nr: 50074404 001 TÜV Rheinland

Ytelsen til det ovennevnte produktet samsvarer med de erklærte ytelsene.
Importøren nevnt ovenfor er alene ansvarlig for å utarbeide ytelseserklæringen i samsvar med forordning (EU) nr. 305/2011.

Tillegg

Artikkelnummer	Artikkelnavn	Effektutgang
1213 MONTEGO	Massasjebadekar	HE + CA + DA
1218 SAMANA	Massasjebadekar	HE + CA + DA
1219 MARTINICA	Massasjebadekar	HE + CA + DA
15497 TOCOA	Massasjebadekar	HE + CA + DA
13720 SALAMANCA	Massasjebadekar	HE + CA + DA
14894 MONTEGO	Massasjebadekar	HE + CA + DA
1216 PARADISO	Massasjebadekar	HE + CA + DA
1217 PARADISO	Massasjebadekar	HE + CA + DA
1223 VARADERO	Massasjebadekar	HE + CA + DA
14892 PARADISO	Massasjebadekar	HE + CA + DA

Signert for importøren og på vegne av produsenten av:
Michael Widmer, administrerende direktør



6340 Baar, 13.05.2020

Polski (PL)

Instrukcje montażu wanny

Producent i importer:

Beliani GmbH, Haldenstrasse 5, 6340 Baar, Szwajcaria



Instrukcja użytkowania

Niniejszą instrukcję użytkowania należy dokładnie przeczytać przed montażem.

Sprawdzanie towaru podczas dostawy

Po otrzymaniu towaru sprawdź, czy otrzymałeś wszystkie elementy, a także czy produkt nie jest uszkodzony. Jeśli występują jakiegokolwiek uszkodzenia, niezwłocznie poinformuj sprzedawcę. Nie ponosimy odpowiedzialności za uszkodzenia powstałe podczas lub po montażu.

Podnoszenie/przenoszenie wanny

Aby podnieść lub przenieść wannę, chwyć ją za krawędzie — nigdy nie łap za węże ani części instalacyjne.

Układanie rur

Rury nie mogą być układane pod wanną.

Ochrona przed uszkodzeniami

Podczas montażu, użyj odpowiednich osłonek ochronnych, aby zapobiec uszkodzeniom powierzchni oraz zapchaniem spowodowanym brudem lub kurzem. Przed rozpoczęciem instalacji/montażu, tymczasowo zakryj delikatne elementy, takie jak odpływy, dysze i panel sterowania, za pomocą osłonek.

Zachowanie środków ostrożności

Podczas czyszczenia kafelków, upewnij się, że amoniak lub jakiegokolwiek inne, silnie żrące środki czyszczące nie mają kontaktu ze wbudowanymi elementami.

Podłączenie elektryczne (230 V)

Podłączenie powinno być wykonane wyłącznie przez wykwalifikowanego elektryka. Upewnij się, że odpowiednie zabezpieczenie produktu jest zapewniona za pomocą wyłącznika różnicowoprądowego (30 mA).

Przepisy dotyczące bezpieczeństwa

Podczas instalacji wanny, zastosuj kilka kroków, które pomogą zapobiec potencjalnym wypadkom. Instalację powinni przeprowadzać jedynie wykwalifikowani technicy. Wanna musi być podłączona do napięcia 230 V AC o częstotliwości 50 Hz. Urządzenie musi być zasilane za pomocą urządzenia różnicowoprądowego o wartości prądu różnicowego nieprzekraczającej 30 mA. Dodatkowo instalacja elektryczna musi być wyposażona w wyłącznik automatyczny w celu zapewnienia rozłączenia we wszystkich przewodach zasilających.

Należy wykonać połączenie wyrównawcze pomiędzy metalowymi elementami wanny, zgodnie z odpowiednimi przepisami w kraju. Części z żywymi elementami, z wyjątkiem tych działających przy ochronnym, niskim napięciu nieprzekraczającym 12 V, muszą być niedostępne dla osoby znajdującej się w wannie. Komponenty elektryczne muszą być umieszczone lub zabezpieczone w taki sposób, aby nie mogły spaść do wanny.



Podłączenia wody dla masażu wodnego lub przelewu

Gdy tylko wlot wody znajdzie się poniżej krawędzi wanny, należy nawiązać połączenie z urządzeniem bezpieczeństwa zgodnie z normą EN 1717 (kategoria płynu 5). Może to na przykład obejmować użycie urządzenia bezpieczeństwa stałoprądowego (np. typ 1 przerywacz rur z trwałym połączeniem z atmosferą) zgodnie z konkretnymi wymaganiami instalacyjnymi. Połączenie to musi być wykonane wyłącznie przez wykwalifikowanego specjalistę. Poniższe wytyczne dotyczą następujących sytuacji:

- A. Wszystkie wanny, które są napełniane przez przelew.
- B. Wszystkie wanny, które są podłączane i napełniane przez dysze masażu wodnego w istniejącym rurociągu T.

W obu przypadkach połączenie musi być wykonane za pomocą wzmocnionego elastycznego przewodu umożliwiającego przepływ mieszanej gorącej i zimnej wody.

Przepływ: Maksymalnie 20 litrów/min (EN 200)

Pojemność przelewu: Minimum 36 litrów/min (EN 274)

Pojemność odpływu: Minimum 48 litrów/min (EN 274)

Montaż

Drzwiczki serwisowe powinny mieć wymiary co najmniej 50 × 50 cm, zapewniając dostęp do komponentów technicznych, takich jak pompa, wentylator, zawory, puszkę łączeniową i inne

połączenia. Preferowane jest użycie demontowalnych paneli bocznych, ale zawsze należy priorytetowo traktować elementy sztywne.

Dodatkowo zaleca się instalację drzwiczek serwisowych o wymiarach 20 × 20 cm dla odpływu/przelewu, zapewniających odpowiednią izolację akustyczną podczas montażu. Dla prawidłowej wentylacji konieczne jest zainstalowanie kratki wentylacyjnej (niezawartej w zestawie). W zależności od modelu wanny umieść kratkę wentylacyjną w wyściółce ściany w pobliżu produktu. Wewnątrz drzwiczek serwisowych można zamontować kratkę wentylacyjną (minimum 150 cm), aby dostarczać powietrze do wentylatora. Alternatywnie, rozważ umieszczenie drzwiczek serwisowych/kratki wentylacyjnej w sąsiednim pomieszczeniu. Aby zoptymalizować izolację akustyczną, zainstaluj kratkę wentylacyjną z materiałów dźwiękochłonnych. Jeśli to możliwe, można również umieścić kratkę wentylacyjną w sąsiednim pomieszczeniu.

Kiedy przestrzeń jest ograniczona: Jeśli nie ma wystarczająco dużo miejsca na drzwiczki serwisowe, zaleca się "montaż powierzchniowy", który umożliwi kompletny demontaż wanny, gdy będzie to konieczne. Upewnij się, że rura odpływowa, połączenia elektryczne i, jeśli dotyczy, linia dopływu wody mogą być odłączone przez otwór wentylacyjny. Uszczelnij całą obwódkę obrzeża wanny silikonem (bez zawartości kwasu octowego).

Wannę należy umieścić na powierzchni, która podtrzymuje wodę (np. płytki) i ma lekki spad, aby w przypadku ewentualnego przecieku lub wycieku woda wypływała spod obudowy, a nie gromadziła się pod wanną. Gwarancja nie obejmuje uszkodzeń spowodowanych niewłaściwą instalacją. Zaleca się nie otaczać całkowicie wanny z hydromasażem płytkami. Pompa wodna, pompa powietrza i dezynfekcja ozonem wymagają cyrkulacji powietrza.

Podczas korzystania z wanny nie należy wlewać wody bezpośrednio do uchwytu prysznicowego. Gwarancja nie obejmuje uszkodzeń spowodowanych niewłaściwym użytkowaniem. Wewnętrzne komponenty wanny muszą być łatwo dostępne, w przeciwnym razie gwarancja nie obejmuje dostępu do wewnętrznych komponentów w przypadku awarii.

Sprawdzanie wycieków

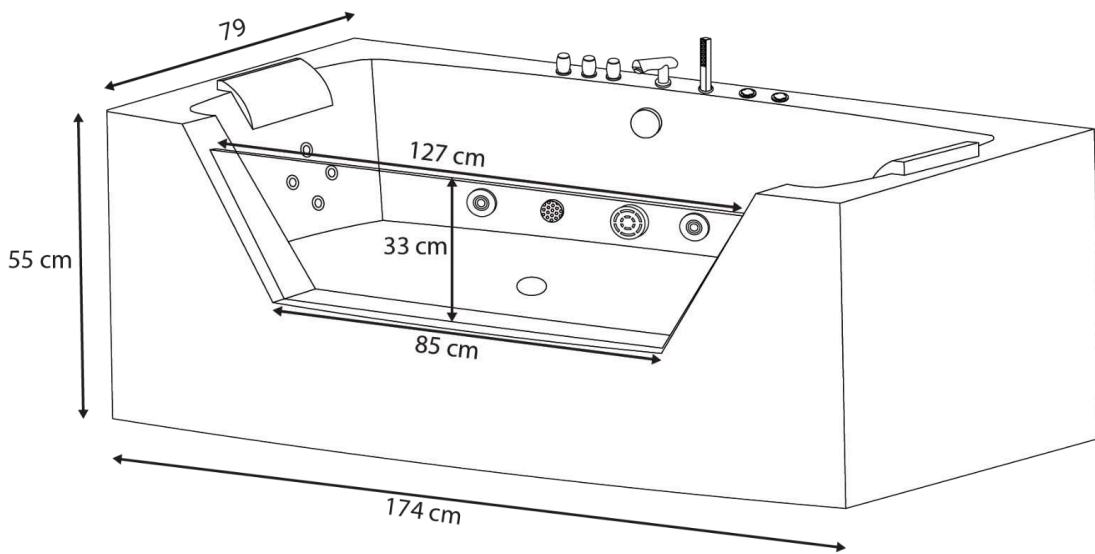
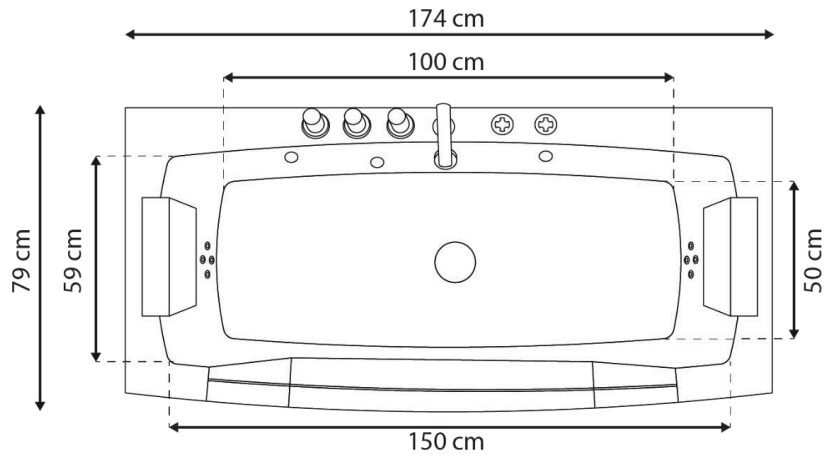
Po podłączeniu wlotu wody i odpływu wanny należy ją napełnić i sprawdzić, czy nie ma wycieków.

Sprawdź następujące funkcje za pomocą panelu sterowania:

1. System napowietrzania
2. Ustawienia pompy wody

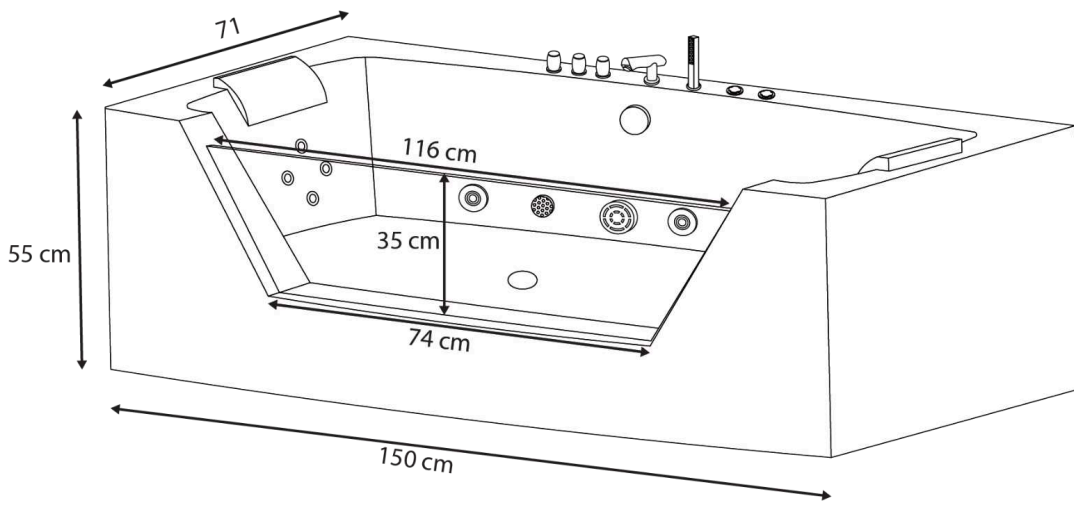
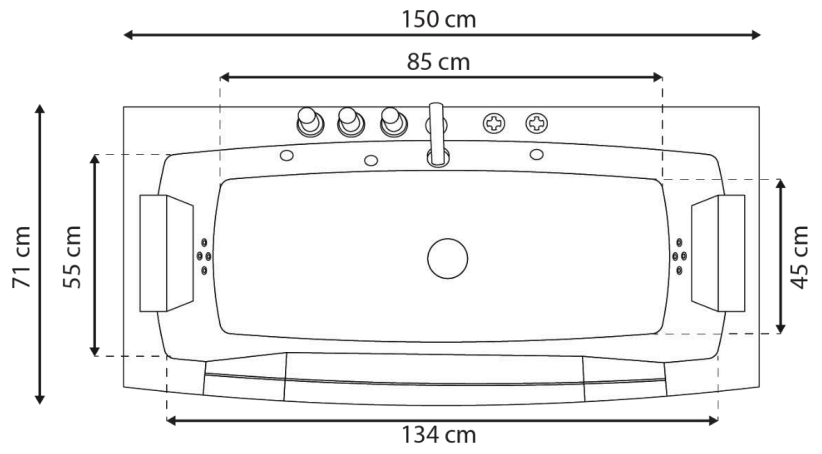
Temperatura wody w wannie nie powinna przekraczać 40°C.

1740*790*550mm



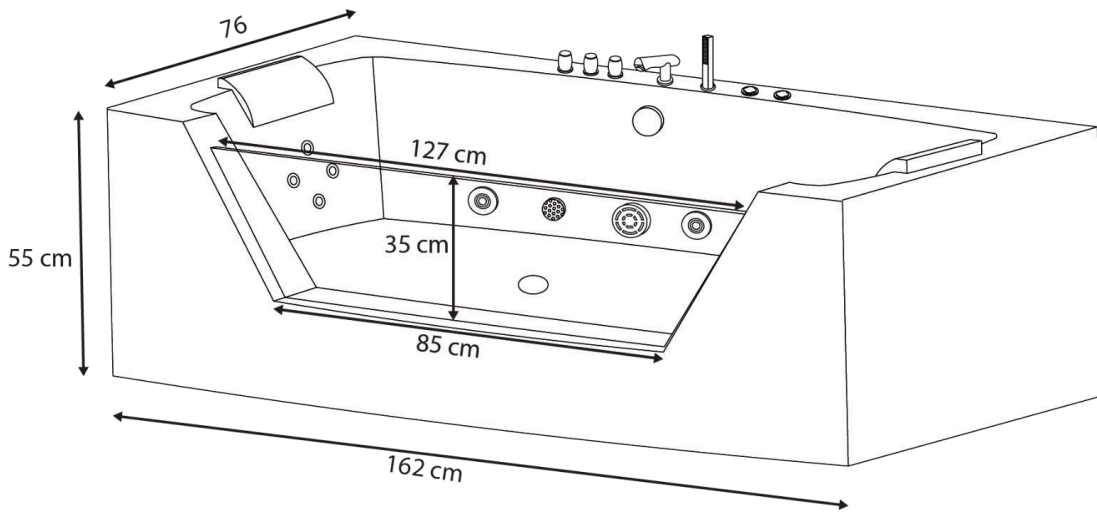
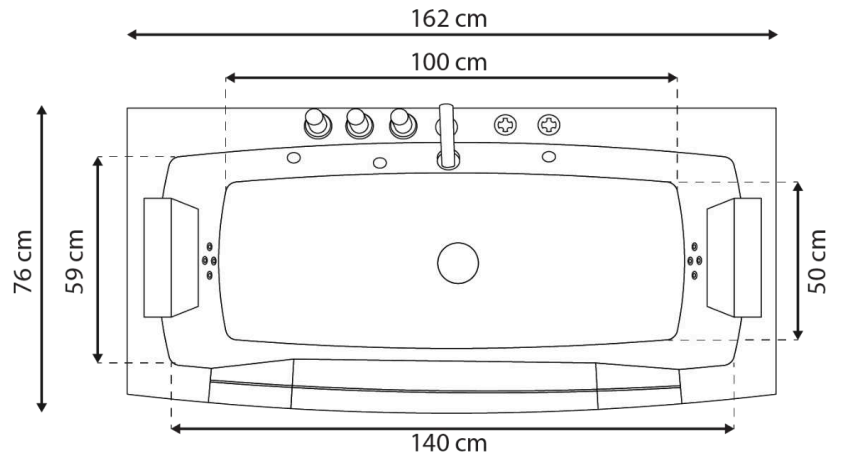
+/- 2 cm

1500*710*550mm



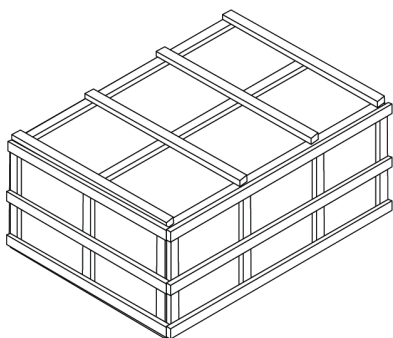
+/- 2 cm

1620*760*550mm

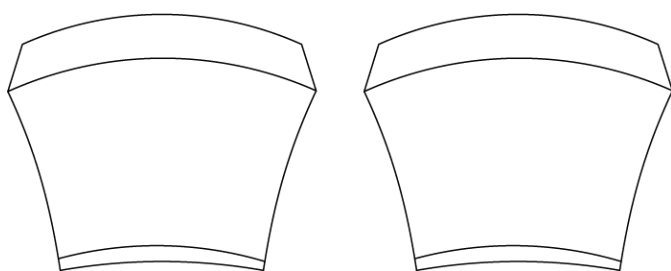


+/- 2 cm

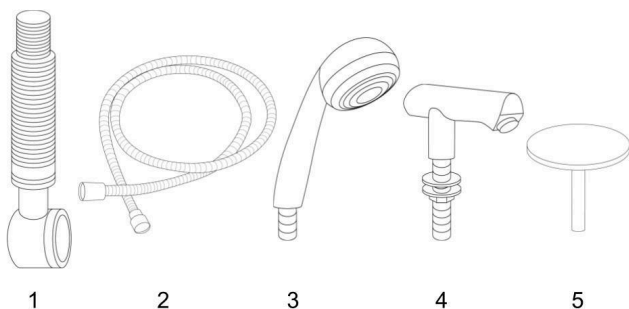
Zawartość opakowania



Użyj nożyczek do otwarcia opakowania; Upewnij się, że wszystkie części znajdują się wewnątrz opakowania.

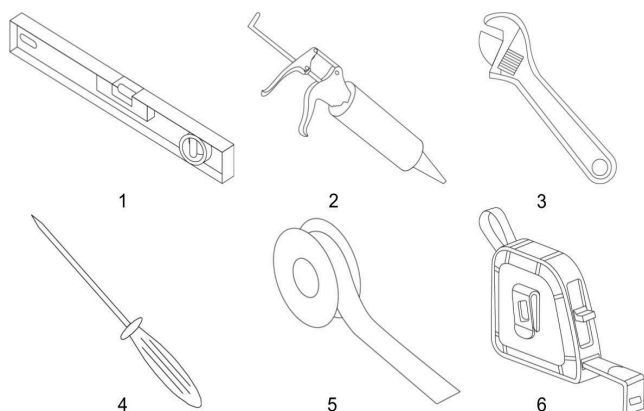


2 x Zagłówek



Pudełko z akcesoriami

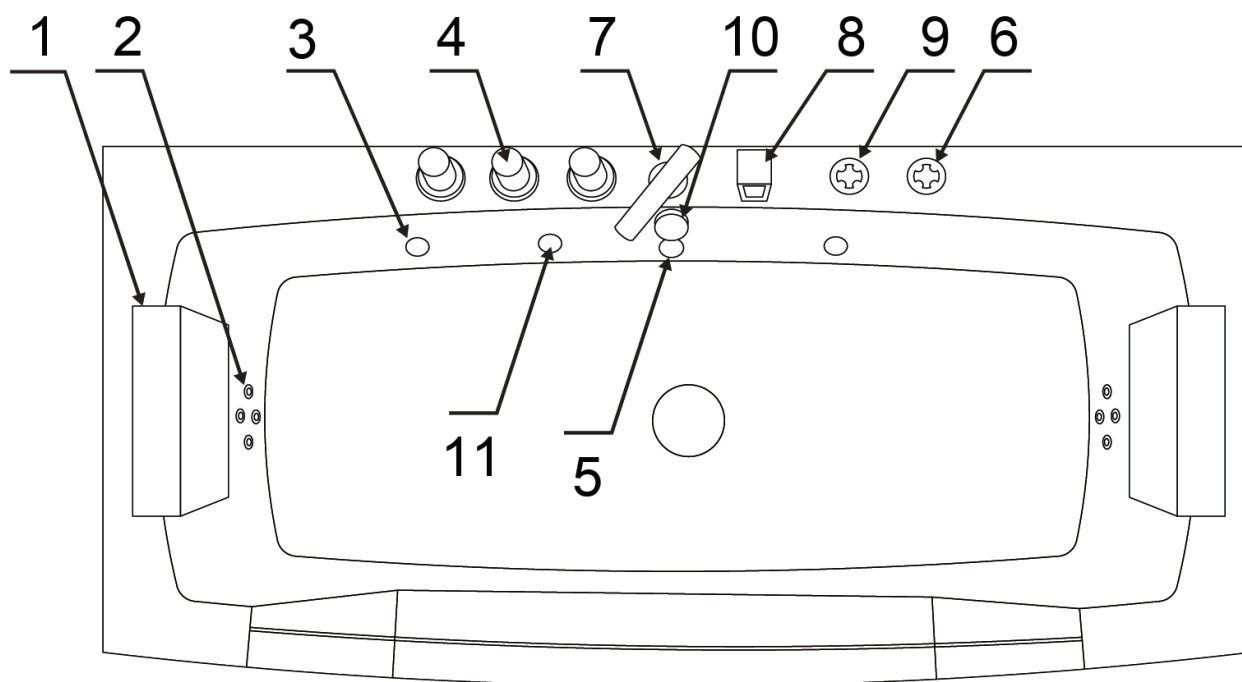
1. 1x Odpływ
2. 1x Wąż do słuchawki prysznicowej
3. 1x Słuchawka prysznicowa
4. 1x Wylot wodospadowy
5. 1x Osłona odpływu



Narzędzia wymagane do montażu

1. Poziomica
2. Uszczelniacz
3. Klucz nastawny
4. Śrubokręt
5. Taśma uszczelniająca gwinty PTFE
6. Miarka

**Przygotowanie
Montaż wanny**

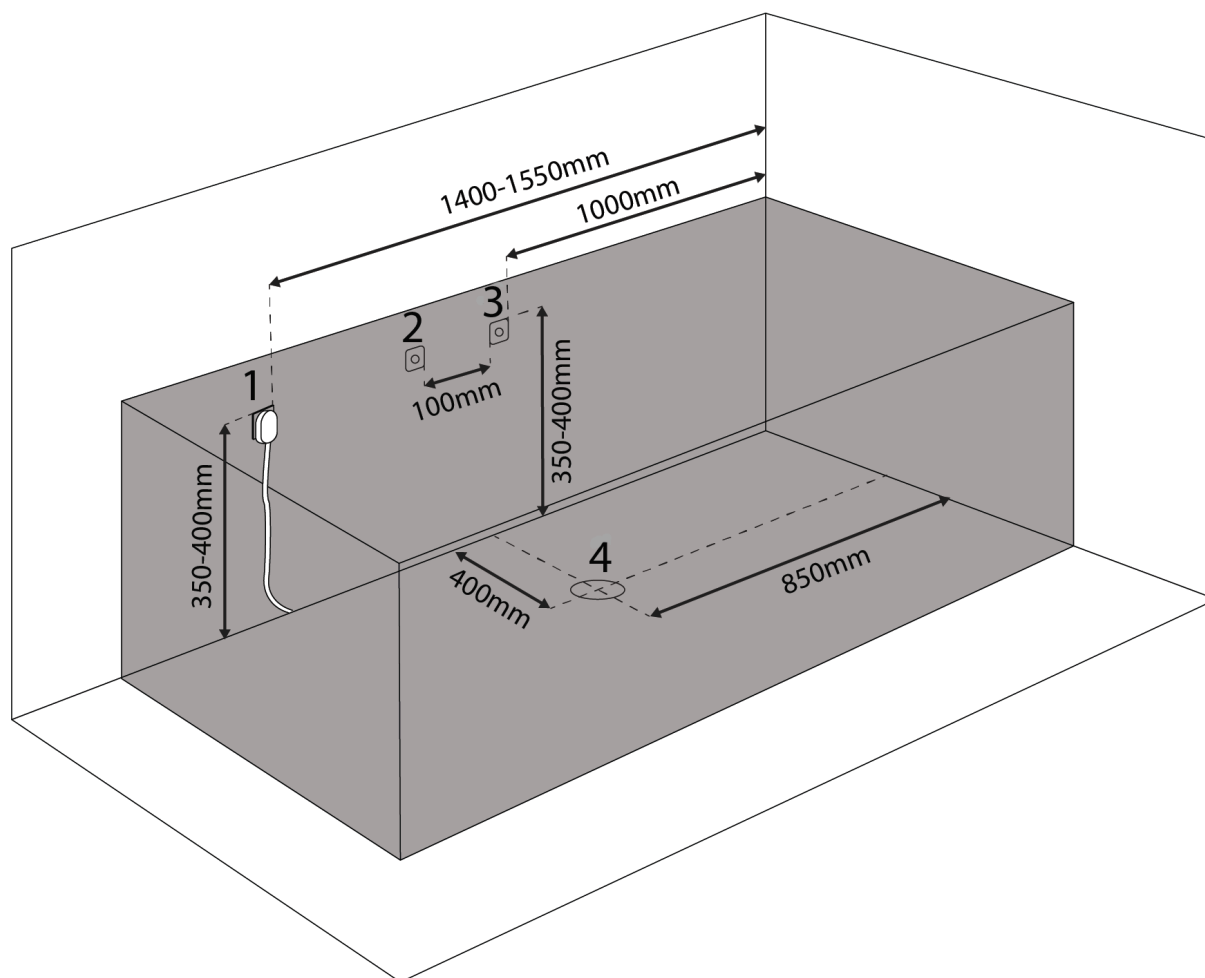


Nr	Opis	Nr	Opis
1	Zagłówek	2	Małe dysze
3	Duże dysze	4	Kran wodospadu
5	Ssanie	6	Włącznik/wyłącznik
7	Kran	8	Słuchawka prysznicowa
9	Regulator	10	Regulator odpływu
11	Podwodne oświetlenie		

Parametry elektryczne

Nominalne napięcie	Częstotliwość napięcia	Maks. Moc znamionowa	Maks. Moc znamionowa
230 V	50 Hz	2600 W	11.8 A

1. Montaż może być przeprowadzany wyłącznie przez wykwalifikowanego elektryka. Zapewnij ochronę za pomocą RCD (30 mA).
2. W zasilaniu musi być obecna ochrona przed wyciekami. Przewody elektryczne muszą być zabezpieczone. Rozmiar przewodu elektrycznego nie powinien być mniejszy niż 2,5 mm². Wyposażenie zasilania musi spełniać krajowe przepisy.
3. Ostrzeżenie: Podczas korzystania z urządzeń elektrycznych należy zachować ostrożność.
4. Zagrożenie: Ryzyko porażenia prądem. Połącz obwody tylko wtedy, gdy są chronione przez GFCI (Ziemnozwarciowy przerywacz obwodu). GFCI nie jest dołączony, ale udostępnimy wszystkie niezbędne informacje na ten temat. GFCI jest wymagany przez prawo.

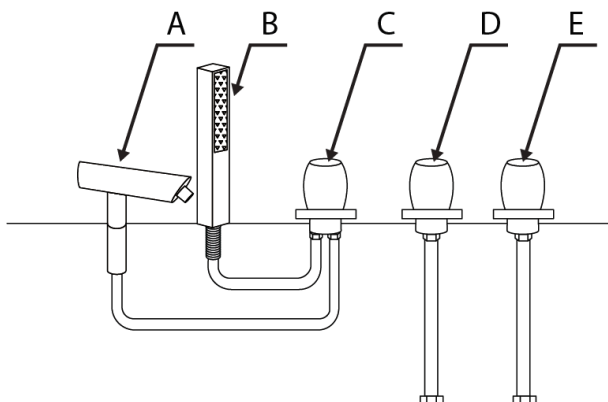


Plan podłączenia

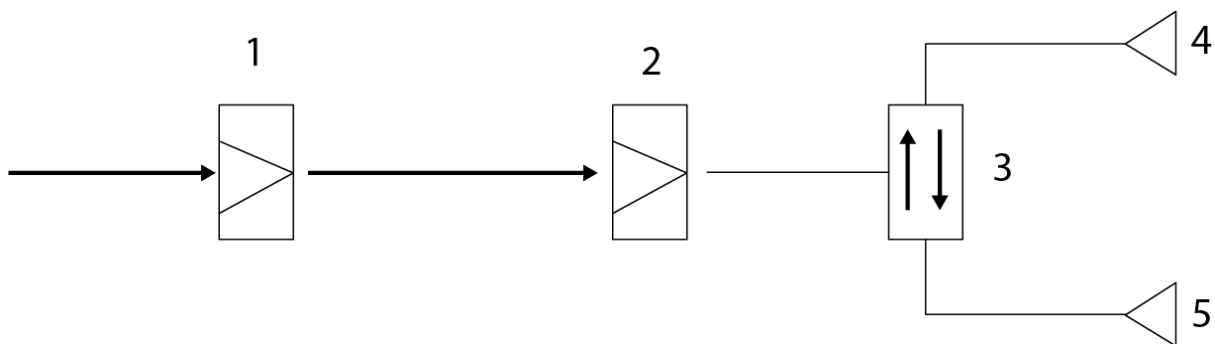
1. Gniazdo elektryczne
2. Ciepła woda
3. Zimna woda
4. Otwór odpływu

Plan podłączenia

- A. Kran wodospadu
- B. Słuchawka prysznicowa
- C. Przełącznik słuchawki i kranu
- D. Wlew ciepłej wody
- E. Wlew zimnej wody

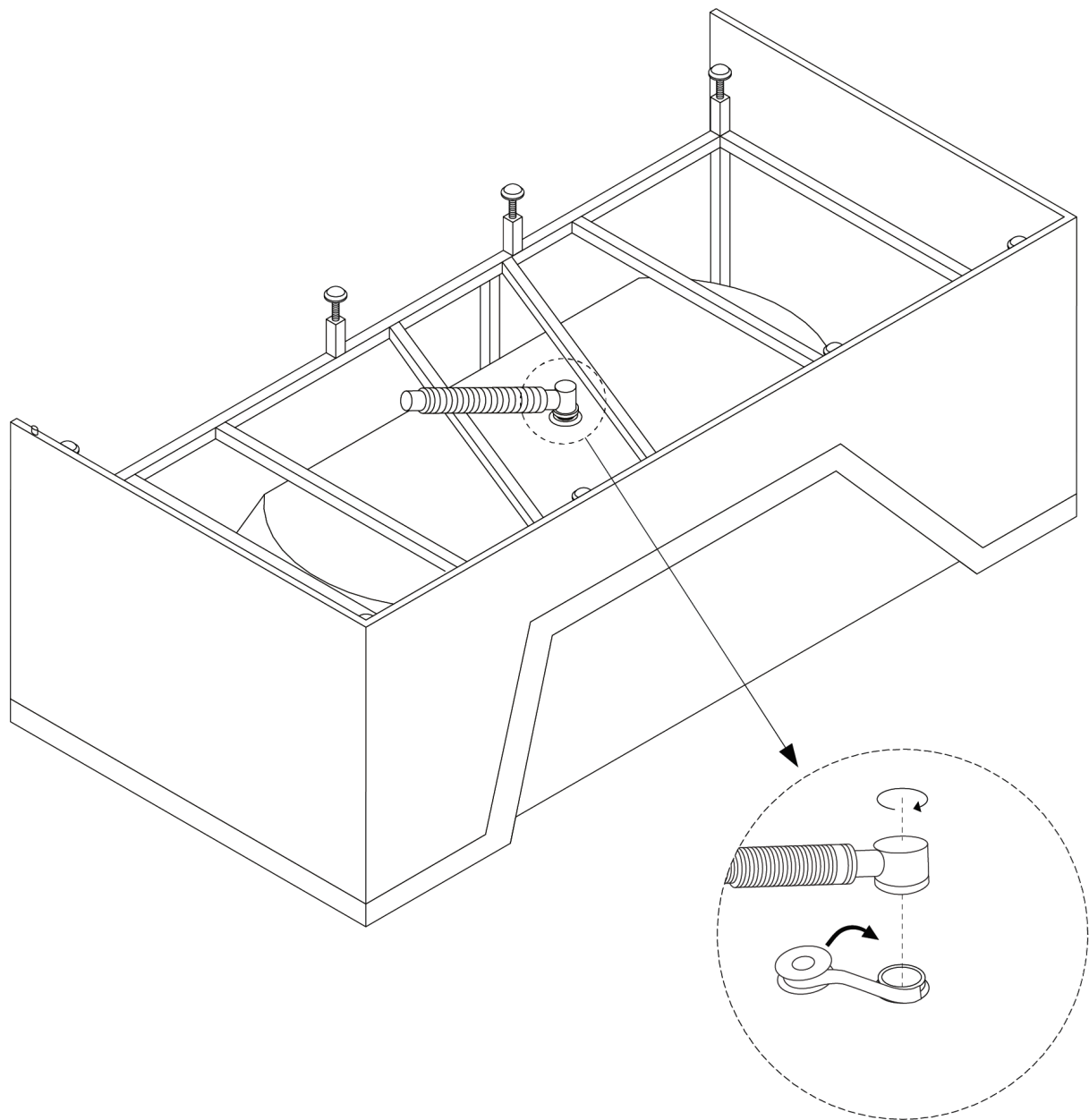


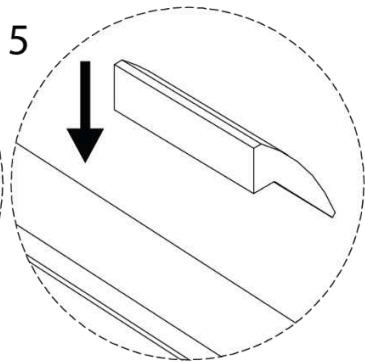
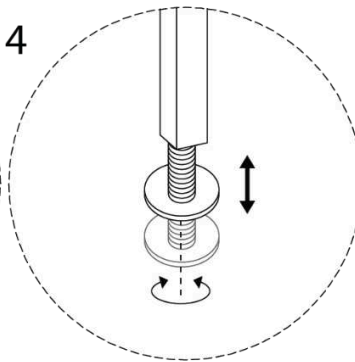
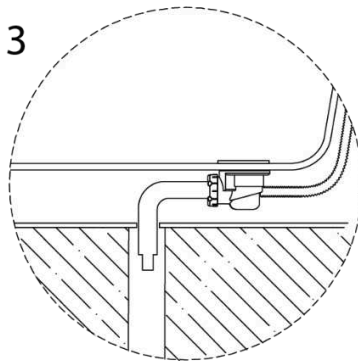
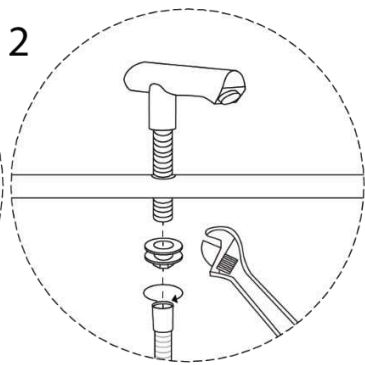
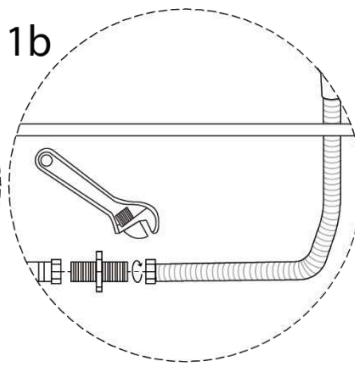
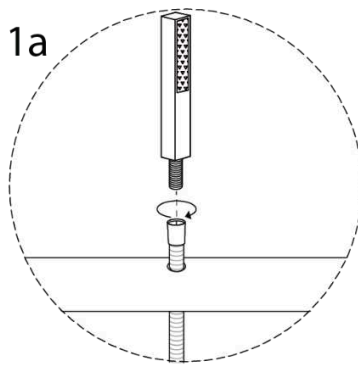
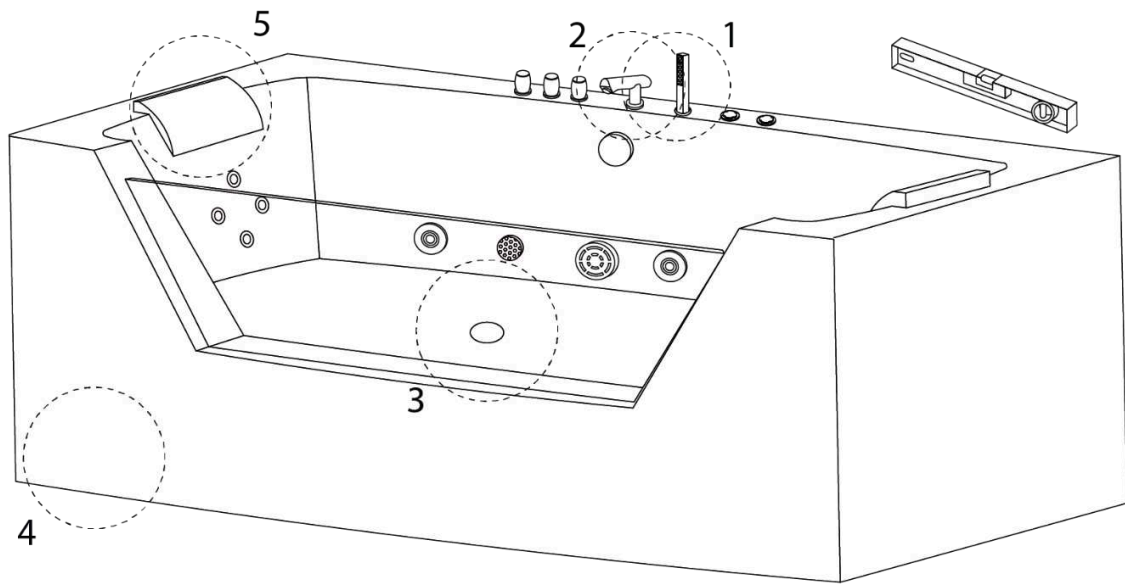
Podłączenie wody

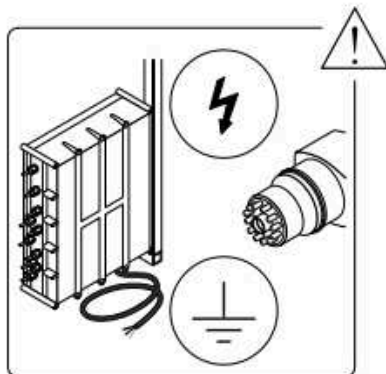
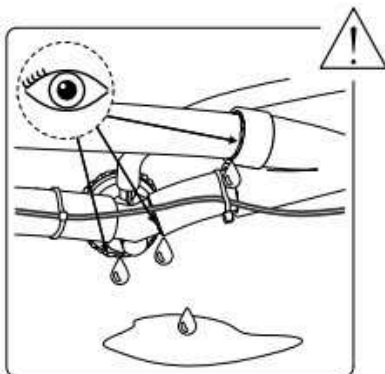
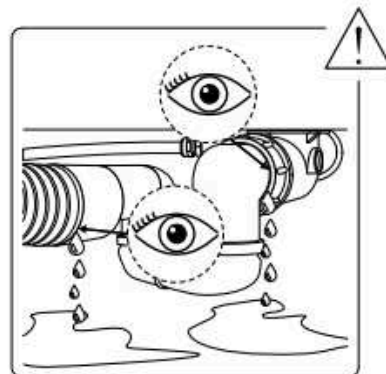
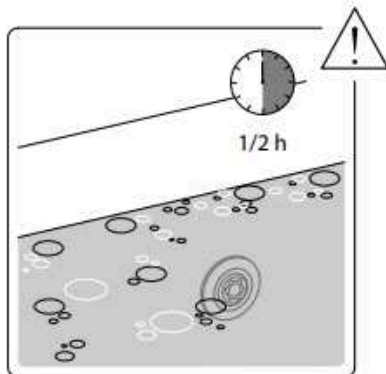
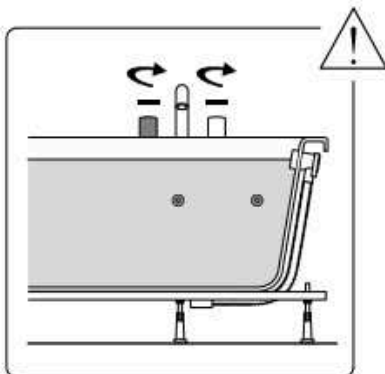
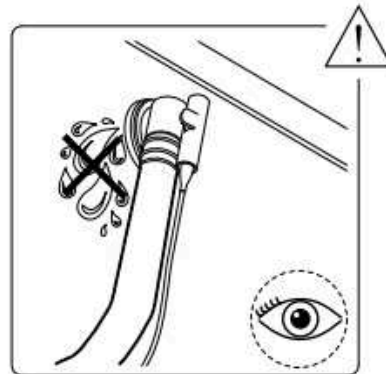
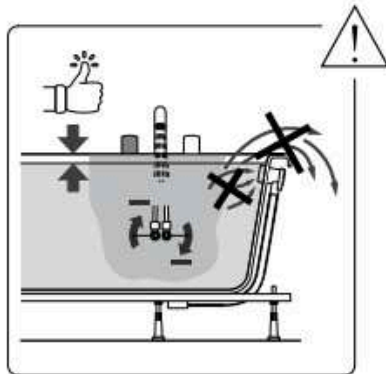
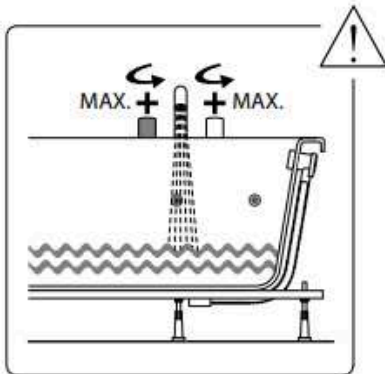
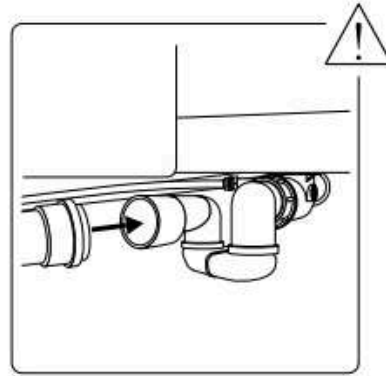
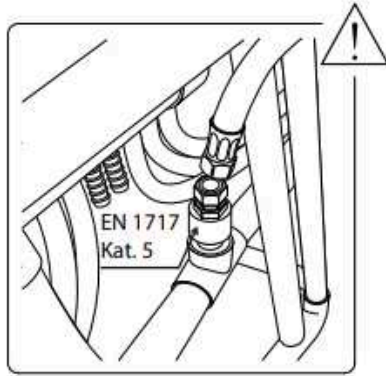
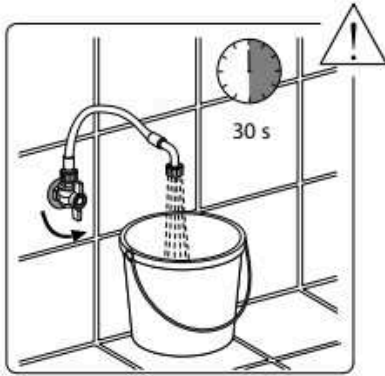


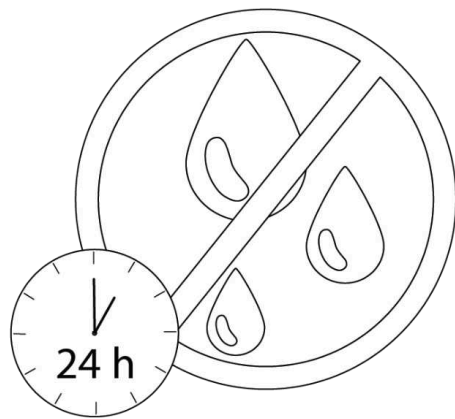
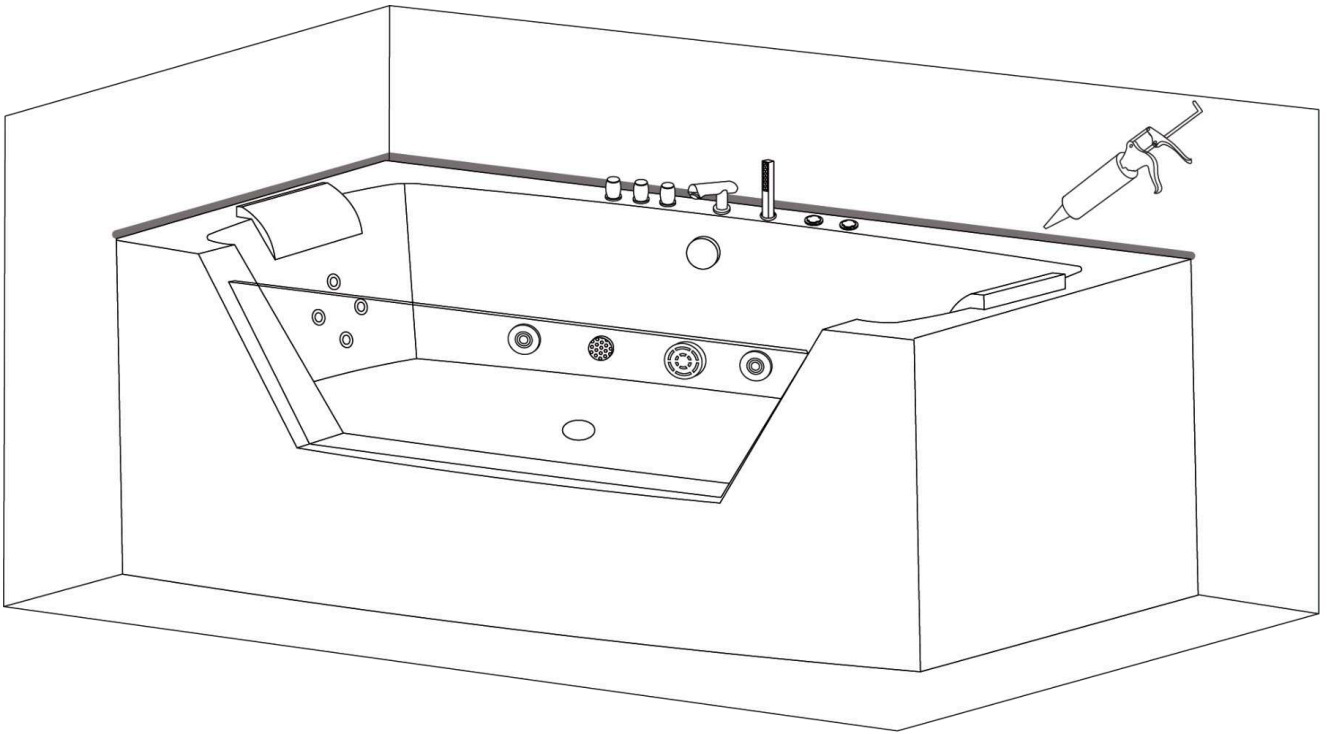
1. Zimna woda

2. Ciepła woda
3. Przełącznik słuchawki i kranu
4. Słuchawka prysznicowa
5. Kran wodospadu









Instrukcja obsługi wanny

1. Włącz zasilanie.
2. Włącz bojler na zimną i ciepłą wodę oraz dostosuj temperaturę.
3. Za pomocą kontrolera, napełnij wannę wodą z kranu lub ze słuchawki prysznicowej.
4. Nie włączaj pompy wodnej, dopóki poziom wody nie osiągnie dysz.
5. Za pomocą regulatora powietrza, dostosuj intensywność masażu.
6. Obracaj pokrętkę umieszczoną na słuchawce prysznicowej, aby dostosować natężenie masażu.
7. Światło włączy się automatycznie i zmieni kolory, gdy włączysz pompę wodną. Światło wyłączy się po wyłączeniu pompy wodnej.
8. Naciśnij włącznik pompy ponownie, aby ją wyłączyć. Po użyciu wanny opróżnij wodę, a na końcu wyłącz zasilanie.

Rozwiązywanie problemów

Błąd	Możliwe przyczyny	Spróbuj zrobić to
Pompa wodna nie działa	Wtyczka zasilania nie jest poprawnie podłączona; ochrona przed wyciekami nie jest podłączona	Podłącz wtyczkę zasilania i podłącz ochronę przed wyciekami
	Wirnik pompy wodnej jest zablokowany przez coś małego	Wyczyść wirnik pompy wodnej
	Pompa wodna jest wyłączona	Włącz pompę wodną
	Wtyczka zasilania nie jest poprawnie włożona	Poprawnie włóż wtyczkę zasilania
	Uszkodzona pompa wodna	Napraw lub wymień pompę wodną
Dysze masażowe nie rozpoczynają działania	Problem z napięciem	Sprawdź napięcie
	Przycisk Włącz/Wyłącz nie jest włączony, lub nie działa	Sprawdź przełącznik lub wymień go
	Obieg wody jest zablokowany	Wyczyść rury
Wanna nie jest wypoziomowana	Niepoprawnie ustawiona regulacja nóżek	Dopasuj regulowane nóżki

Woda przelewa się	Przelew odpływowy jest uszkodzony	Wymień przelew odpływowy
	Nakrętki są luźne	Dokręć nakrętki
	Części łączące nie są poprawnie zamocowane	Sprawdź klejenie części łączących

Czyszczenie

1. Do celów czyszczących używaj miękkich tkanin, unikaj silnych detergentów zawierających aceton lub amoniak. Surowo zabrania się dezynfekcji za pomocą kwasu mrówkowego lub formaldehydu.
2. Jeśli na powierzchni występuje rysa, delikatnie wypoleruj ją za pomocą papieru ściernego o gradacji 2000 na mokro. Następnie kontynuuj polerowanie za pomocą pasty do zębów i miękkiej tkaniny.
3. Osad kamienia kotłowego można usunąć za pomocą octu lub soku z cytryny.
4. Jeśli obieg wody jest zablokowany, odkręć dysze oraz rury i oczyść je.
5. Częste czyszczenie nie jest konieczne dla elementów połączonych i posrebrzanych.
6. Nie uderzaj w wannę twardymi przedmiotami. Dodatkowo należy unikać bezpośredniego kontaktu wanny z gorącymi przedmiotami, których temperatura przekracza 70°C (np. papierosy). Nie zaleca się czyszczenia wanny substancjami chemicznymi zawierającymi rozpuszczalnik.
7. Po użyciu opróżnij wannę z wody i odłącz przewód zasilający.
8. Czyszczenie systemu masażu wodnego: Napełnij wannę 40°C gorącą wodą i dodaj 2 g detergentu na litr. Uruchom system masażu na 5 minut. Następnie zatrzymaj go i wypuść wodę z wanny. Ponownie napełnij wannę, tym razem zimną wodą i włącz system masażu na 3 minuty. Ponownie opróżnij wannę. Po tym kroku dysze będą czyste.

Środki ostrożności

1. Montaż powinien być przeprowadzony przez wykwalifikowanego hydraulika. Prosimy postępować zgodnie z instrukcjami zawartymi w instrukcji obsługi.
2. Należy nabyć odpowiednie węże od lokalnych dostawców i połączyć je przy pomocy specjalisty. W żadnym przypadku nie należy używać dostarczonych przez sprzedawcę węży połączeniowych.
3. Wszystkie węże muszą być przed użyciem i regularnie sprawdzane oraz uszczelniane przez specjalistę. Węże mogą ulec rozłączeniu podczas transportu lub z upływem czasu.

4. Podczas instalacji produktu, klient musi zapewnić łatwy dostęp do przedniej części wanny w celu przeprowadzenia konserwacji i ewentualnej wymiany części.
5. Komponenty elektryczne powinny spełniać krajowe normy bezpieczeństwa. Zainstaluj wyłącznik różnicowoprądowy w układzie zasilania.
6. Nie używaj przegrzanego podgrzewacza wody i włącz dysze dopiero po osiągnięciu przez wodę odpowiedniego poziomu.
7. Urządzenie pracuje przy napięciu znamionowym 230 V. Po użyciu odłącz zasilanie.
8. Zaleca się nie przebywać w wannie dłużej niż 30 minut.
9. Okresowo restartuj urządzenie.
10. Jeśli przewód zasilający jest uszkodzony, należy go natychmiast wymienić.
11. Starannie przeczytaj instrukcję obsługi, aby uniknąć wypadków i innych uszkodzeń.
12. Regularnie czyść wannę lub wannę z hydromasażem zgodnie z instrukcjami producenta, aby zapobiec gromadzeniu się brudu i bakterii oraz rozwojowi pleśni.
13. W przypadku usterki klient jest odpowiedzialny za usunięcie wadliwej części i jej ponowny montaż.

Ogólne informacje dotyczące funkcjonalności i użytkowania

Po każdej kąpieli należy opróżnić wannę z wody. Nigdy nie zostawiaj dzieci bez nadzoru w wannie.

Instrukcje dotyczące pielęgnacji wanny z hydromasażem

Powierzchnia wanny jest łatwa do czyszczenia i utrzymania. Gładka powierzchnia prawie nie przyciąga brudu. Do regularnego czyszczenia potrzebne są: gąbka, miękka tkanina, nieco antystatycznego środka czyszczącego. W ten sposób wanna zachowuje swój połysk i staje się odporna na zabrudzenia. Unikaj stosowania środków czyszczących żrących lub na bazie rozpuszczalników, które mogą uszkodzić powierzchnię wanny. W przypadku uporczywego brudu użyj płynnego środka czyszczącego do domu, takiego jak płyn do mycia naczyń lub roztworu mydlanego (postępuj zgodnie z instrukcjami dotyczącymi rozcieńczenia). Usuń osady kamienia kotłowego za pomocą środka do usuwania kamienia kotłowego. Zawsze dokładnie spłucz go dużą ilością czystej wody i wypoleruj miękką tkaniną. Nie używaj kwasowych środków czyszczących ani środków na bazie octu.

Uszkodzenia

Zarysowane powierzchnie powinny być naprawiane przez profesjonalistę. Niweluj je pastą polerską bez dodatku rozpuszczalników. W razie potrzeby powierzchnię można najpierw poddać obróbce papierem ściernym na mokro (o gradacji 800, a następnie 1200) przed polerowaniem. Nie używaj

żadnych rozpuszczalników na bazie alkoholu lub acetonu. Uszkodzenia wynikające z niewłaściwego użytkowania nie są objęte naszą gwarancją.



Uwaga! Istnieje zwiększone ryzyko poślizgnięcia się na mokrej powierzchni. Dotyczy to zwłaszcza miejsc, gdzie stosowane są mydła, szampony, olejki do kąpieli itp.

Podlega zmianom

Beliani zastrzega sobie prawo do wprowadzania zmian lub modyfikacji produktu bez wcześniejszego powiadomienia.

Importer: Beliani GmbH, Haldenstrasse 5, 6340 Baar, Szwajcaria

Deklaracja zgodności

1. Typ unikatowego identyfikatora produktu: Numer produktu na dole strony
2. Przeznaczenie: wanny z hydromasażem do użytku domowego w celu higieny osobistej (PH)
3. Importer:
Beliani GmbH
Haldenstrasse 5
6340 Baar
Szwajcaria
Telefon +41 43 5082233
4. Upoważniony przedstawiciel: %
5. System oceny i weryfikacji stałości właściwości: System 4
 - a. Norma zharmonizowana: EN 12764:2015
Jednostka notyfikowana: %
 - b. Europejski dokument oceny: %
Europejska ocena techniczna: %
Jednostka oceny technicznej: %
Jednostka notyfikowana: %
6. Deklarowane właściwości użytkowe:
Zasadnicze charakterystyki Zharmonizowana specyfikacja techniczna
Bezpieczeństwo przed
Wplątywaniem się włosów (HE) Zgodność z normą EN 12764:2004+A1:2008
Łatwość czyszczenia (CA) Zgodność z normą EN 12764:2004+A1:2008
Trwałość (DA) Zgodność z normą EN 12764:2004+A1:2008
7. Odpowiednia dokumentacja techniczna lub specjalna dokumentacja techniczna:
Raport nr: 50074404 001 TÜV Rheinland

Wydajność powyższego produktu odpowiada zadeklarowanym właściwościom.
Importer wymieniony powyżej ponosi wyłączną odpowiedzialność za przygotowanie deklaracji zgodności zgodnie z rozporządzeniem (UE) nr 305/2011.

Załącznik

Numer artykułu	Nazwa artykułu	Moc wyjściowa
1213 MONTEGO	Wanna z funkcją masażu	HE + CA + DA
1218 SAMANA	Wanna z funkcją masażu	HE + CA + DA
1219 MARTINICA	Wanna z funkcją masażu	HE + CA + DA
15497 TOCOA	Wanna z funkcją masażu	HE + CA + DA
13720 SALAMANCA	Wanna z funkcją masażu	HE + CA + DA
14894 MONTEGO	Wanna z funkcją masażu	HE + CA + DA
1216 PARADISO	Wanna z funkcją masażu	HE + CA + DA
1217 PARADISO	Wanna z funkcją masażu	HE + CA + DA
1223 VARADERO	Wanna z funkcją masażu	HE + CA + DA
14892 PARADISO	Wanna z funkcją masażu	HE + CA + DA

Podpisano przez importera i w imieniu producenta:
Michael Widmer, Dyrektor zarządzający



6340 Baar, 13.05.2020

Português (PT)

Instruções de montagem da banheira

Fabricante e importador:

Beliani (Internacional) GmbH, Haldenstrasse 5, 6340 Baar, Suíça



Instruções de uso

Estas instruções de uso devem ser lidas cuidadosamente antes da montagem.

Verificação dos produtos no ato de entrega

Após receber a banheira, verifique se está completa e se há algum dano. Caso haja qualquer dano visível, informe imediatamente o vendedor. Não assumimos a responsabilidade por danos ocorridos durante ou após a montagem.

Levantar/mover a banheira

Para levantar ou mover a banheira, segure-a pelos cantos - nunca pelas mangueiras ou peças de montagem.

Montagem de tubagens

As tubagens não devem ser colocadas debaixo da banheira.

Proteção contra danos

Utilize capas protetoras apropriadas de modo a evitar danos nas superfícies e obstruções causadas por sujidade ou pó durante o processo de montagem. Antes de começar a montagem, cubra temporariamente componentes sensíveis, como ralos, bocais e o painel de controlo, com capas protetoras.

Precaução especial

Ao limpar os azulejos, certifique-se de que a amónia ou quaisquer outros agentes de limpeza agressivos não entram em contacto com os componentes embutidos.

Ligação elétrica (230 V)

Esta tarefa deve ser realizada apenas por um electricista qualificado. Assegure-se de fornecer uma proteção adequada através de um disjuntor diferencial residual (30 mA).

Regulamentos de segurança

Durante a montagem da banheira, existem várias etapas a considerar de modo a evitar potenciais acidentes. A montagem deve ser realizada apenas por técnicos qualificados. A banheira deve ser ligada a uma tensão de 230 V CA a 50 Hz. O dispositivo deve ser alimentado através de um dispositivo de corrente residual nominal não superior a 30 mA. Além disso, a instalação elétrica deve estar equipada com um disjuntor para garantir a desconexão total de todos os polos da fonte de alimentação.

Deve ser estabelecida uma conexão de equalização de tensão entre os elementos metálicos da banheira, seguindo as regulamentações apropriadas de cada país. As partes com componentes ativos, exceto aquelas a operar em tensão extra baixa de proteção que não exceda 12 V, devem ser inacessíveis à pessoa na banheira. Os componentes elétricos devem ser posicionados ou fixados de forma a evitar que caiam na banheira.



Ligações da água para massagem ou transbordo

Assim que a entrada de água estiver abaixo do rebordo da banheira, deve ser estabelecida uma ligação com um dispositivo de segurança de acordo com a norma EN 1717 (categoria de fluido 5). Por exemplo, isto pode envolver o uso de um dispositivo de segurança de corrente contínua (por exemplo, um interruptor de tubo tipo 1 com ligação permanente à atmosfera), de acordo com os requisitos específicos de montagem. Essa conexão deve ser realizada exclusivamente por um especialista qualificado. Estas orientações aplicam-se aos seguintes cenários:

- A. Todas as banheiras que se encham através de transbordo.
- B. Todas as banheiras que estão ligadas e encham através dos bocais de massagem da água no encaixe T existente.

Em ambos os casos, a ligação deve ser feita através do uso de tubos elásticos reforçados capazes de transportar água quente e fria pré-misturada.

Taxa de fluxo: máximo de 20 litros/min (EN 200)

Capacidade de transbordo: mínimo de 36 litros/min (EN 274)

Capacidade de drenagem: mínimo de 48 litros/min (EN 274)

Montagem permanente

Devem ser fornecidas escotilhas de manutenção com uma dimensão de pelo menos 50 x 50 cm, garantindo acessibilidade aos componentes técnicos, como a bomba, o soprador, as válvulas, o

painel de ligações e outras conexões. De preferência, utilize painéis laterais removíveis, mas priorize sempre elementos rígidos.

Além disso, é recomendado que monte escotilhas de manutenção de 20 x 20 cm para esgotamento/transbordo, garantindo deste modo um isolamento acústico adequado durante a montagem.

Para uma ventilação adequada, a montagem de uma grelha de ventilação (não fornecida) é absolutamente recomendada. Dependendo do modelo da banheira, posicione a grelha de ventilação no revestimento da parede mais próxima da unidade. No interior da escotilha, poderá montar uma grelha de ventilação (mínimo de 150 cm) para fornecer ar ao ventilador. Em alternativa, considere colocar uma escotilha de manutenção/grelha de ventilação na divisão adjacente.

Para otimizar o isolamento acústico, monte a grelha de ventilação com materiais insonorizantes. Também é possível colocar a grelha de ventilação na divisão adjacente, se for adequado.

Em caso de espaço limitado: se não houver espaço suficiente para uma escotilha de manutenção, é recomendado uma "montagem em superfície" para permitir a desmontagem completa da banheira, quando necessário. Certifique-se de que o tubo de drenagem, as ligações elétricas e, se aplicável, a linha de abastecimento de água podem ser desconectados através da abertura de ventilação. Sele todo o perímetro do rebordo da banheira com silicone (sem ácido acético).

A banheira deve ser colocada sobre uma superfície que suporte água (por exemplo, azulejos) e com uma ligeira inclinação para o exterior, para que, em caso de possível fuga ou queda de água, a mesma saia por baixo do rodapé e não se acumule debaixo da banheira. A garantia não cobre danos causados por uma montagem inadequada. É recomendado não rodear completamente a banheira de hidromassagem com azulejos. A bomba de água, a bomba de ar e a desinfecção por ozono requerem circulação de ar.

Não deve verter água diretamente no suporte do chuveiro durante o uso. A garantia não cobre danos causados por uso indevido. Os componentes internos da banheira devem ser facilmente acessíveis; de contrário, a garantia não cobre o acesso aos componentes internos em caso de avaria.

Verificação de fugas

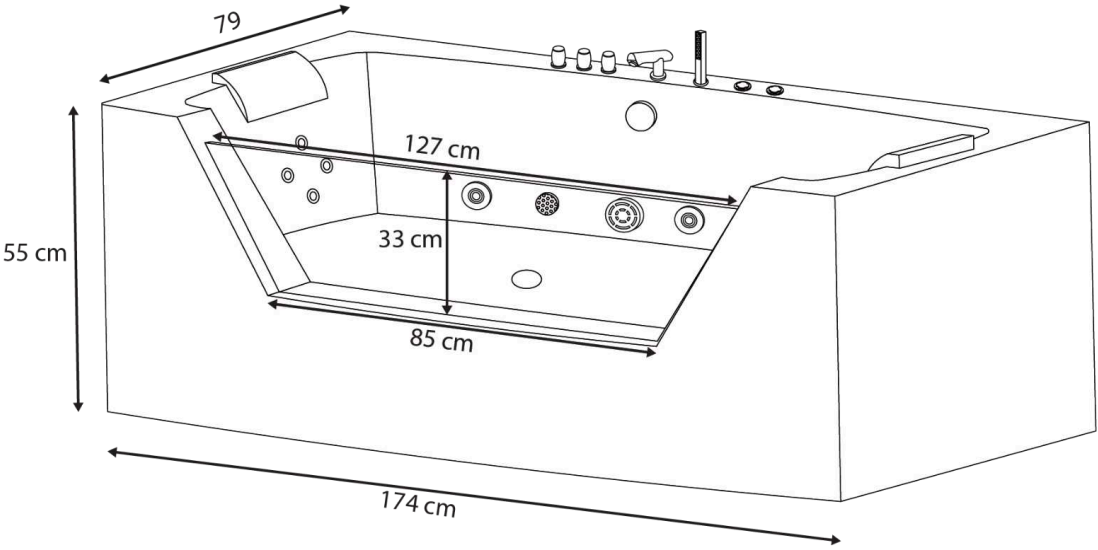
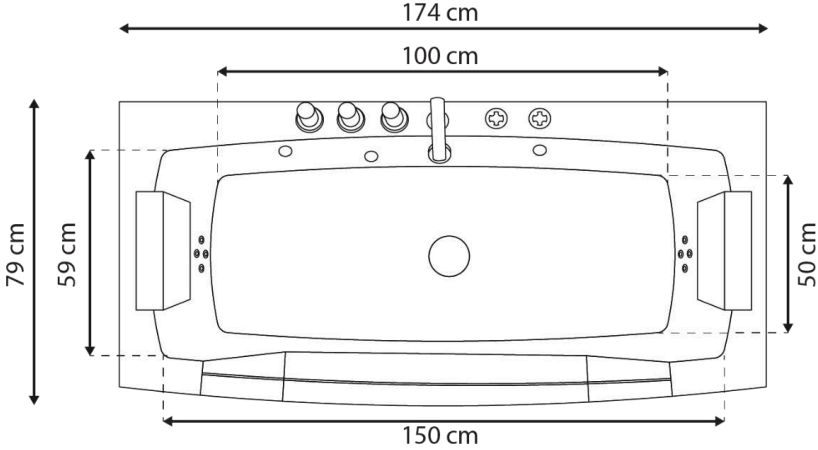
Após ligar a entrada de água e o dreno da banheira, esta deve ser enchida com água, procedendo-se de seguida a uma verificação de fugas.

Verifique as seguintes funções usando o painel de controle:

- A. Sistema de ar
- B. Configurações da bomba de água

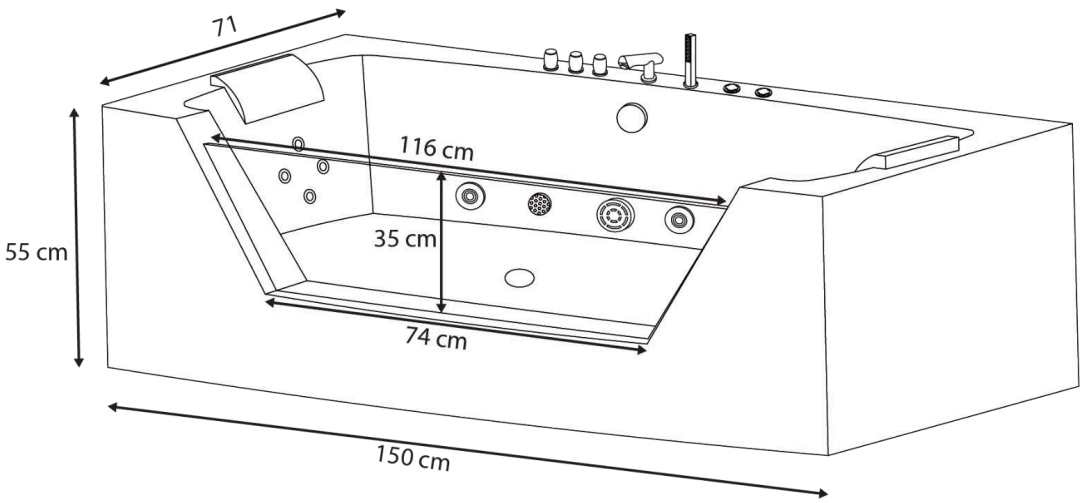
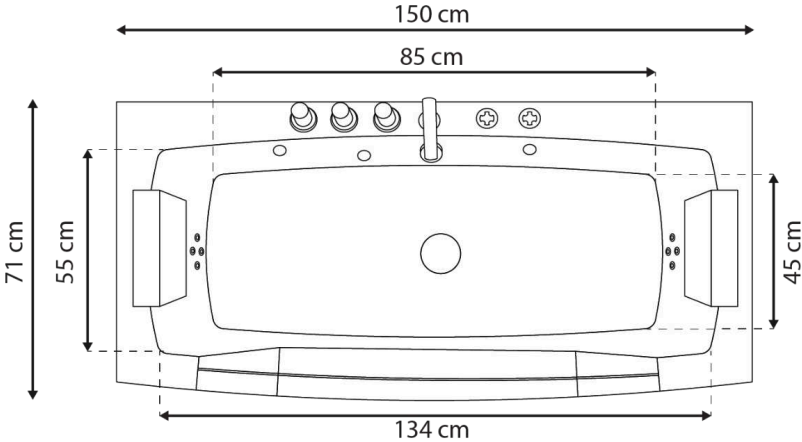
A temperatura da água da banheira não deve exceder 40 °C.

MODELO RT1708 1740*790*550mm



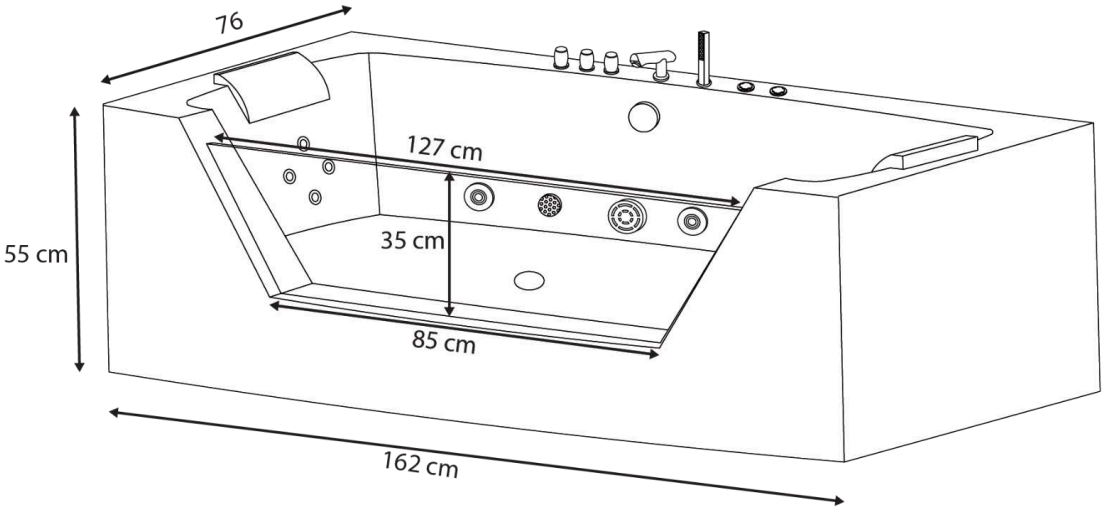
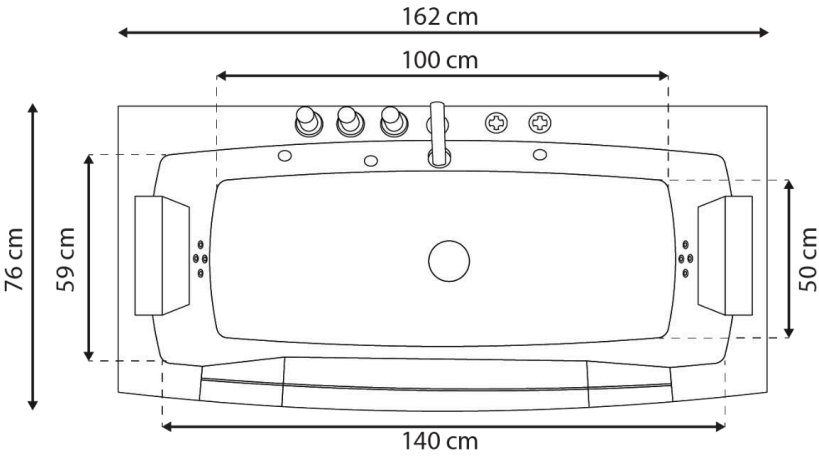
+/- 2 cm

MODELO RT1503 1500*710*550mm



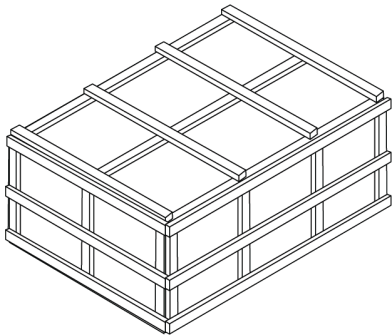
+/- 2 cm

MODELO RT1603 1620*760*550mm

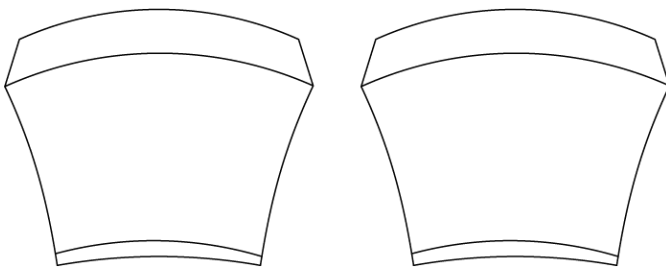


+/- 2 cm

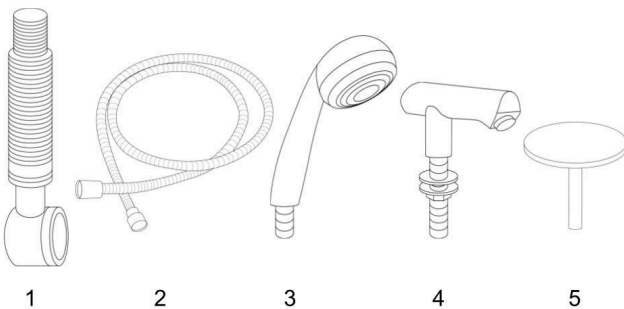
Conteúdo da embalagem



Use tesouras para abrir a embalagem;
Certifique-se de que todas as peças
estão dentro da embalagem.

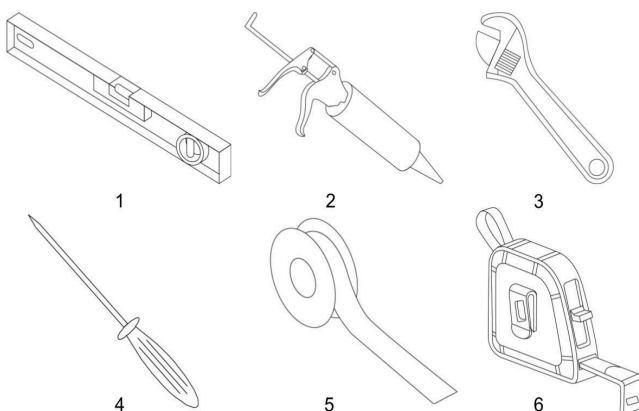


2 x Encosto de cabeça



Caixa de Acessórios

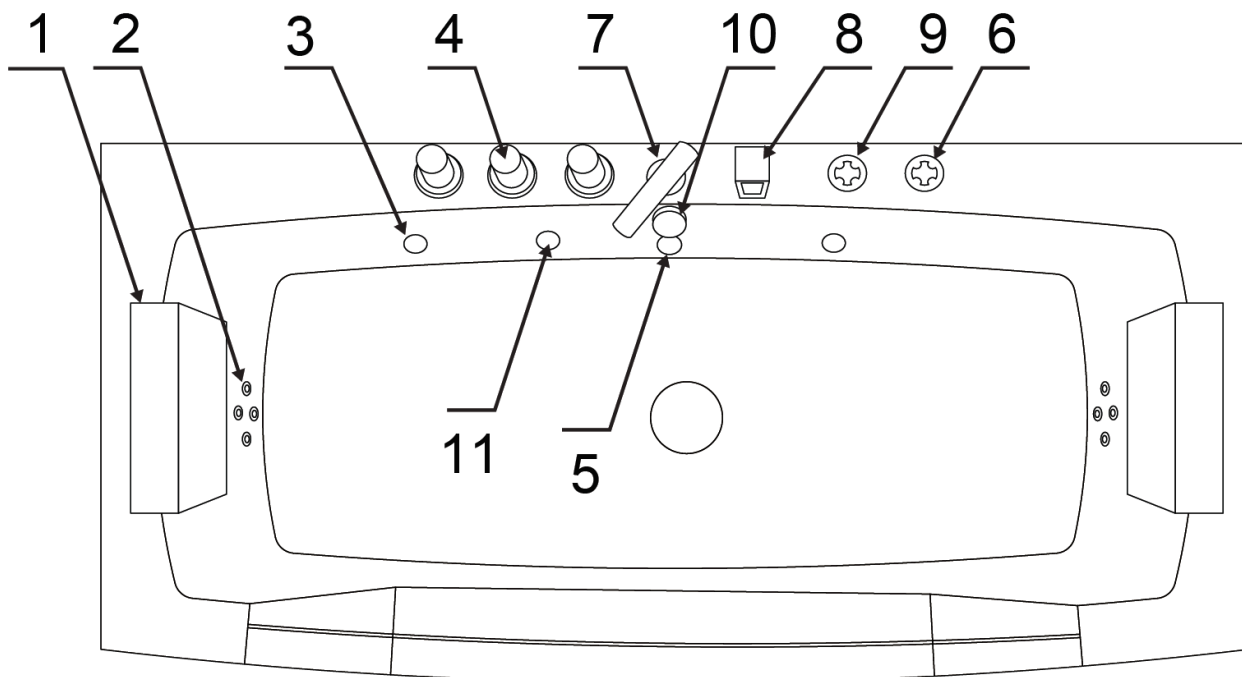
1. 1 x Dreno
2. 1 x Mangueira de chuveiro manual
3. 1 x Chuveiro manual
4. 1 x Entrada de água em cascata
5. 1 x Tampa do dreno



Ferramentas necessárias para montagem

1. Nível de bolha
2. Selante
3. Chave ajustável
4. Chave de fenda
5. Fita de vedação de rosca PTFE
6. Fita métrica

Preparação
Montagem da banheira

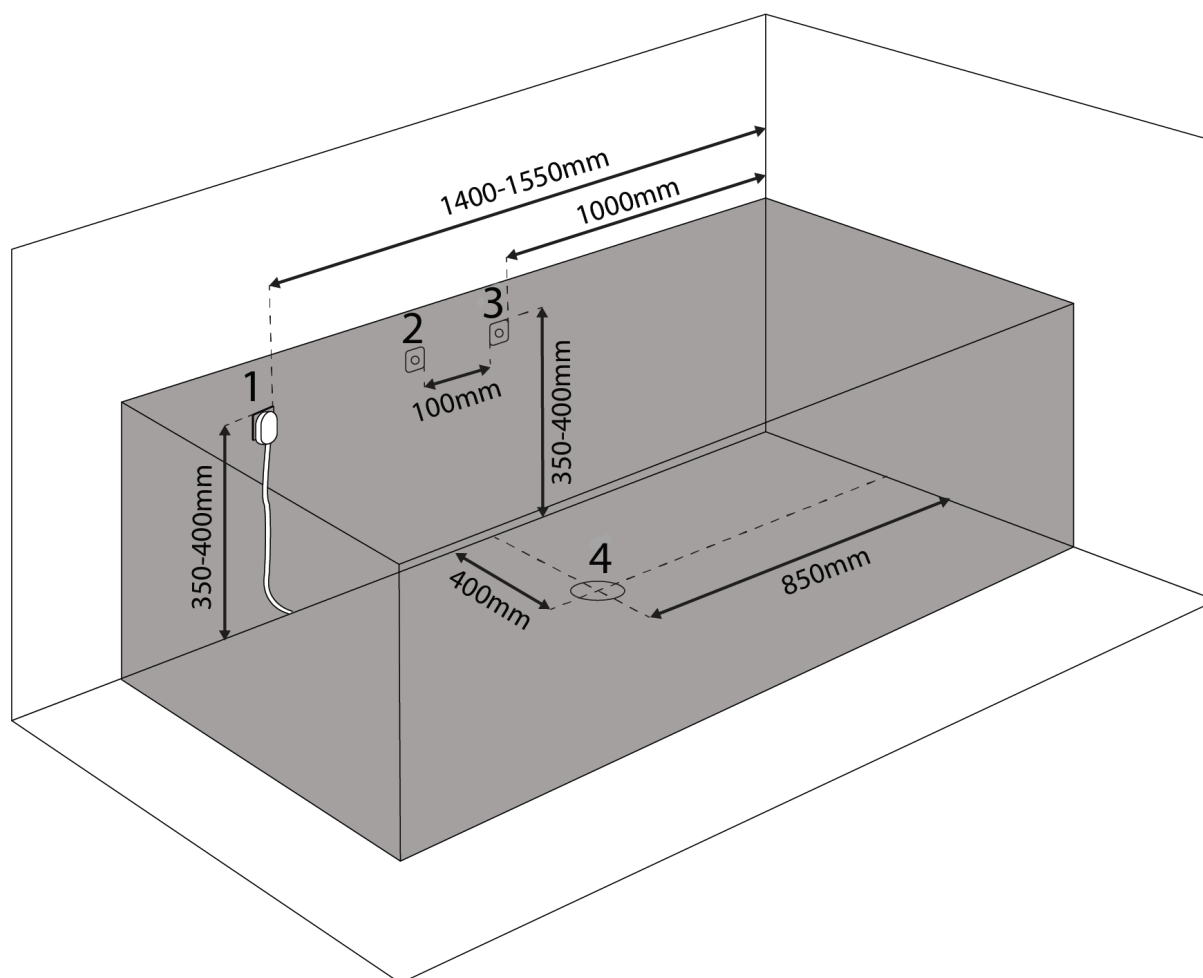


Item	Descrição	Item	Descrição
1	Encosto de cabeça	2	Jatos pequenos
3	Jatos grandes	4	Torneira
5	Aspiração	6	Interruptor On/Off
7	Torneira de água	8	Chuveiro manual
9	Regulador	10	Regulador de drenagem
11	Luz subaquática		

Parâmetros elétricos

Tensão Nominal	Frequência Nominal	Potência Máxima Nominal	Corrente Máxima Nominal
230 V	50 Hz	2600 W	11.8 A

1. Este trabalho deve ser realizado apenas por um electricista qualificado. Garanta a proteção através de um Dispositivo de Corrente Residual (RCD) de 30 mA.
2. A fonte de alimentação deve possuir uma proteção contra fugas elétricas. Os cabos elétricos devem estar devidamente fixados. O tamanho do cabo elétrico não deve ser inferior a 2,5 mm². O equipamento de alimentação elétrica deve estar em conformidade com as regulamentações nacionais.
3. Aviso: ao usar dispositivos elétricos, tome as seguintes precauções de segurança.
4. Perigos: risco de choque elétrico. Ligue os circuitos apenas quando protegidos por um Dispositivo de Corrente Residual (RCD). Um RCD não está incluído, mas fornecer-lhe-emos todas as informações necessárias sobre o mesmo. Um RCD é exigido por lei.

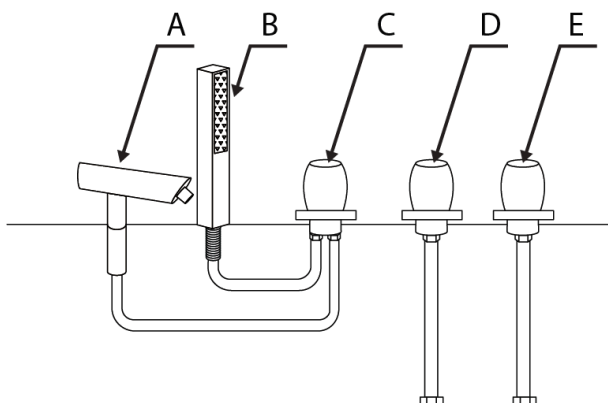


Plano de saídas

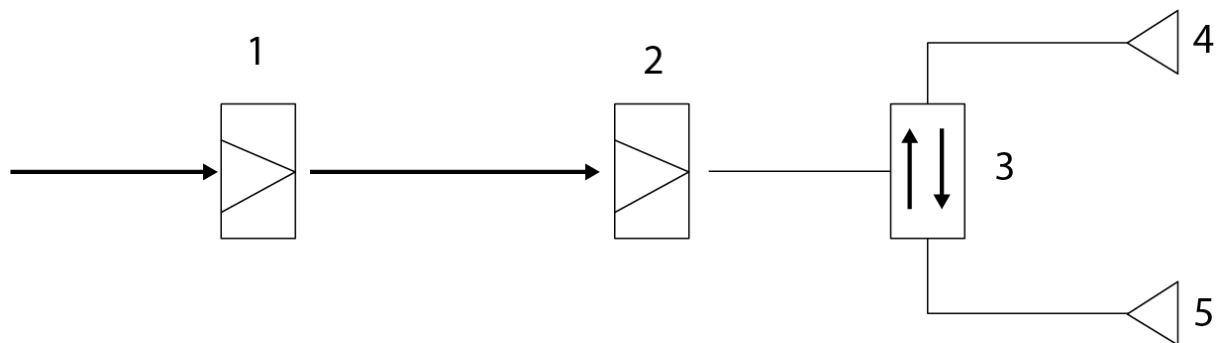
1. Tomada elétrica
2. Água quente
3. Água fria
4. Orifício de drenagem

Esquema de ligações

- A. Torneira da cascata
- B. Chuveiro manual
- C. Alternância entre chuveiro manual e torneira
- D. Entrada de água quente
- E. Entrada de água fria

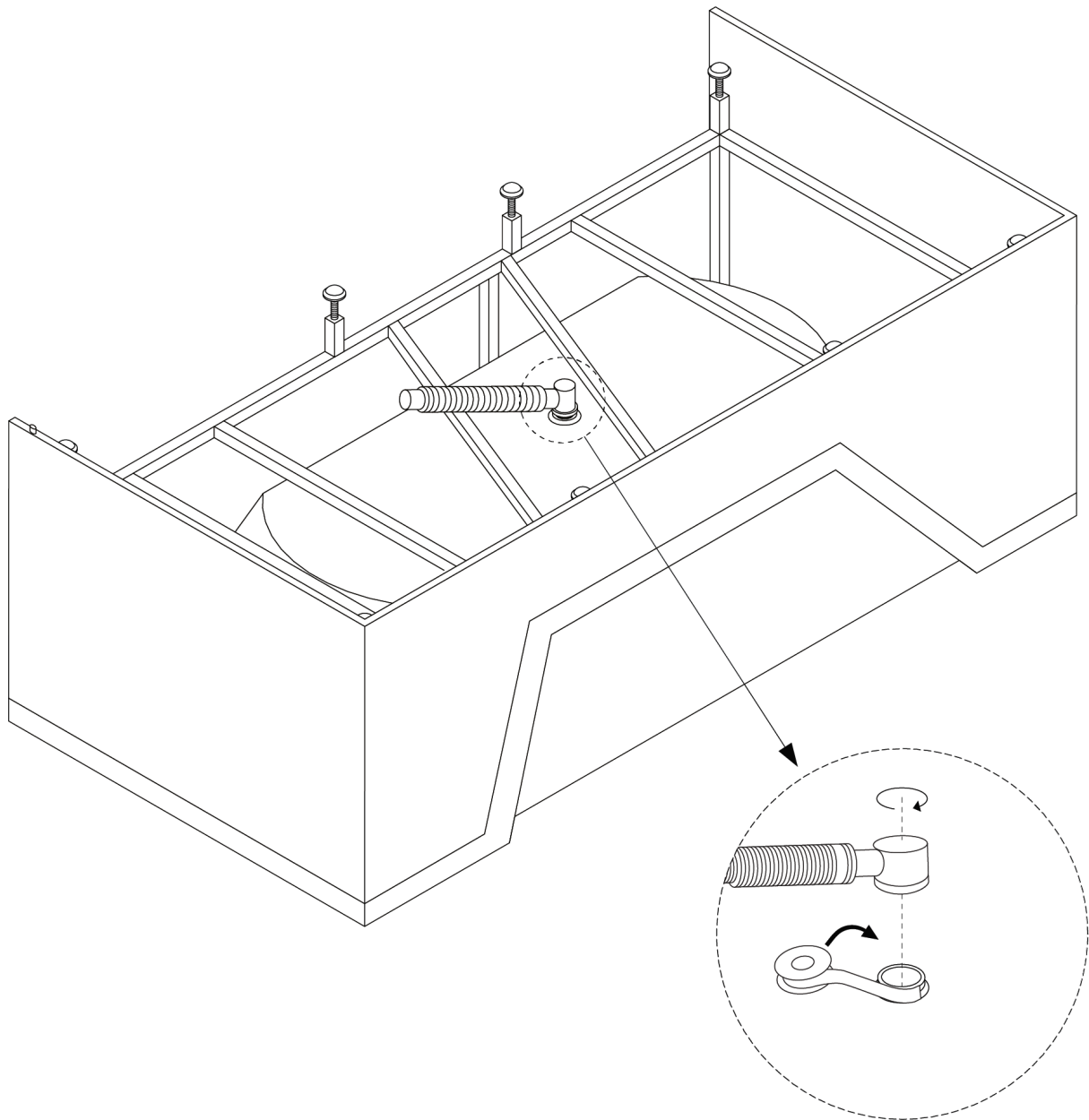


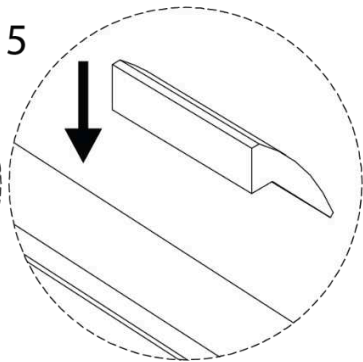
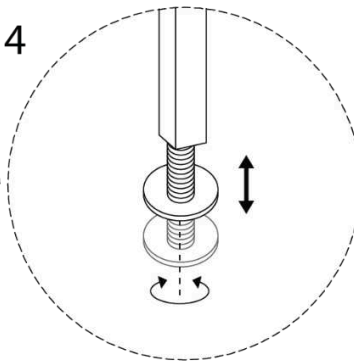
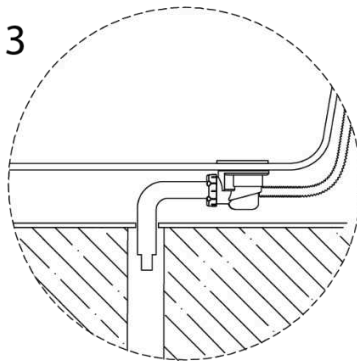
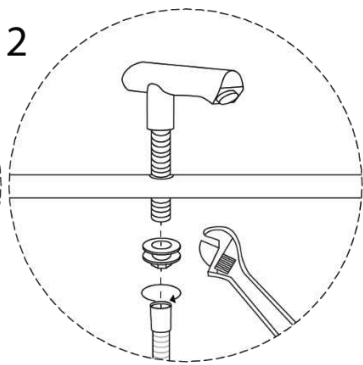
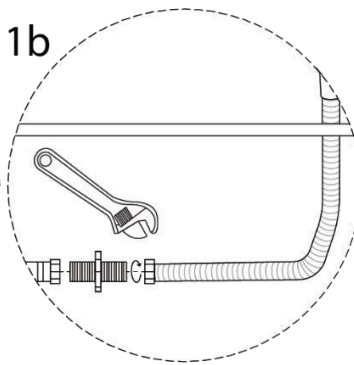
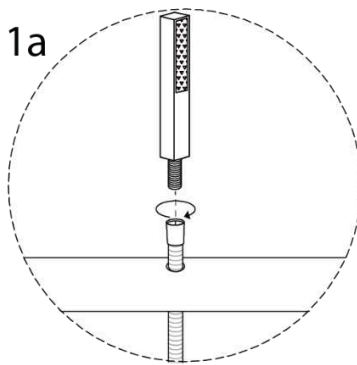
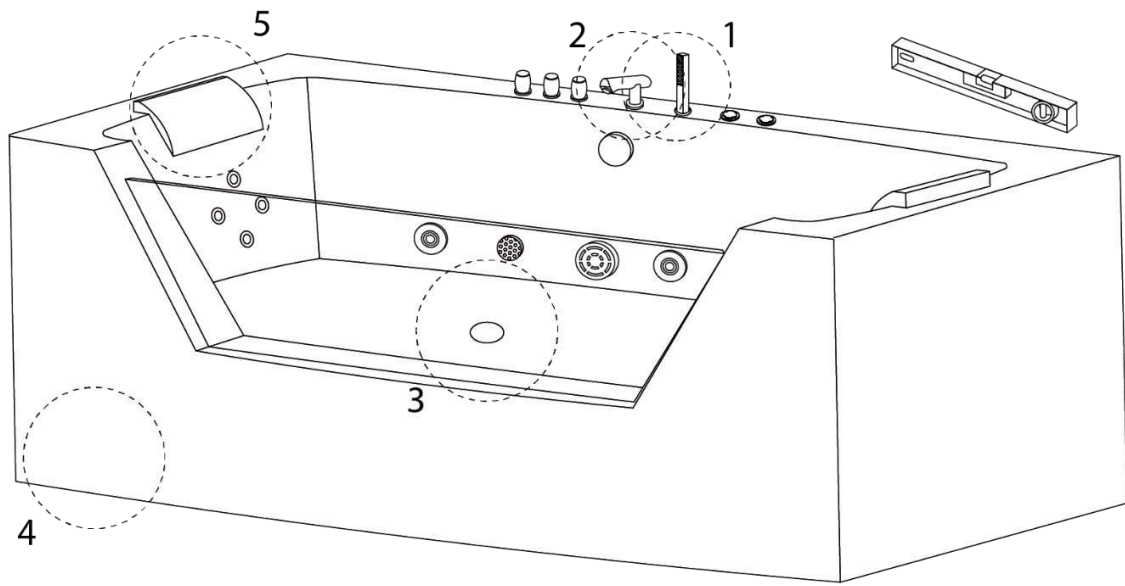
Abastecimento de água

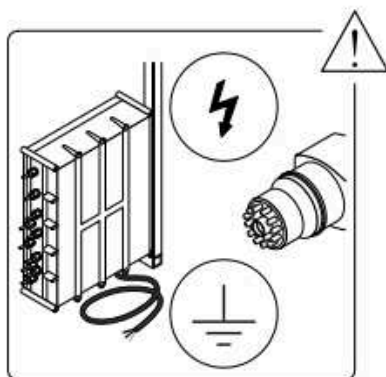
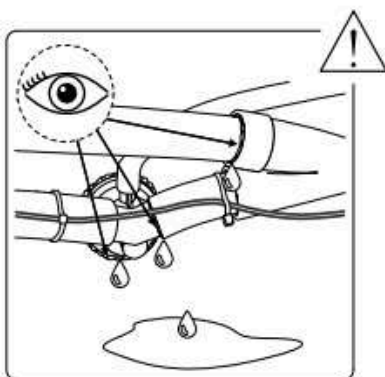
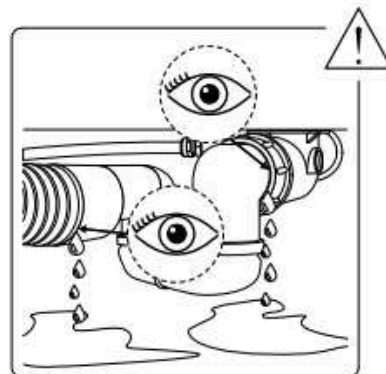
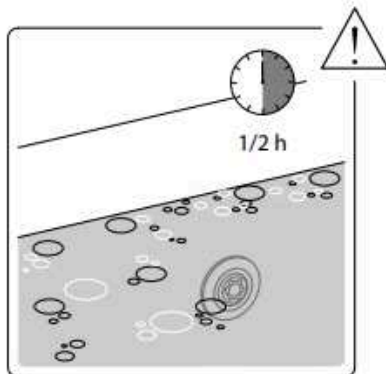
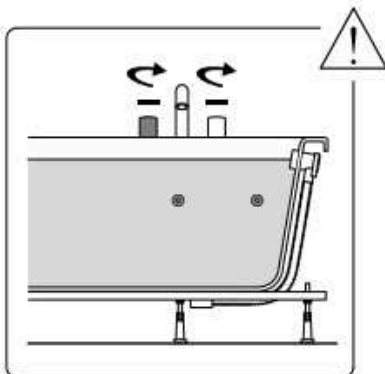
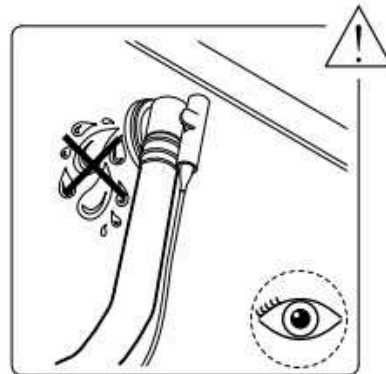
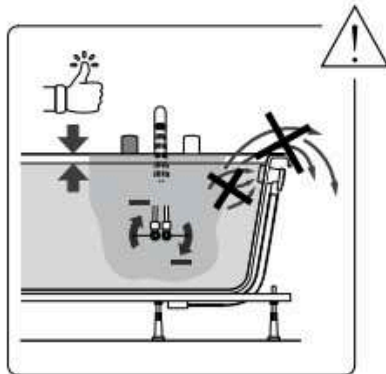
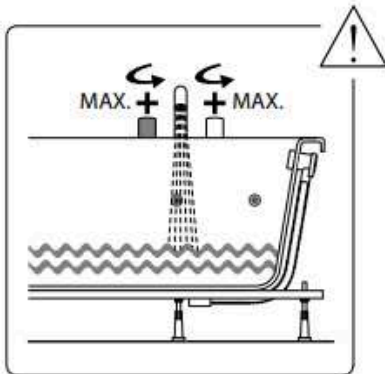
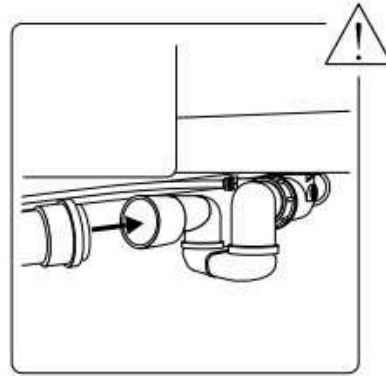
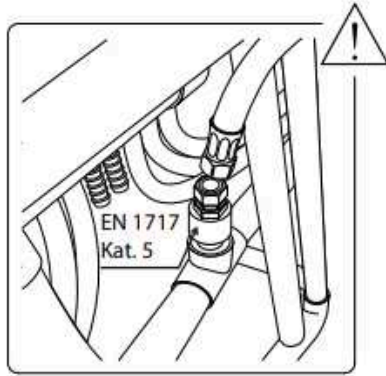
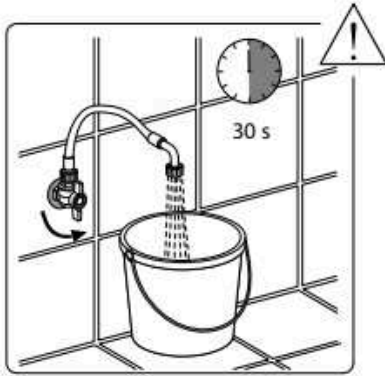


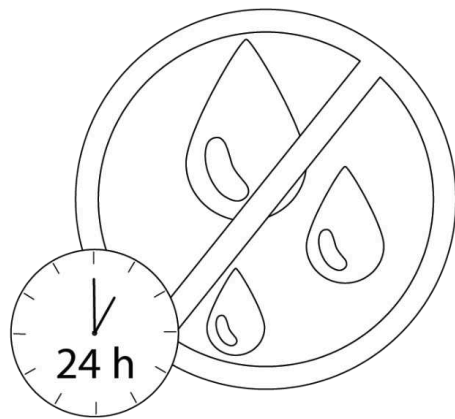
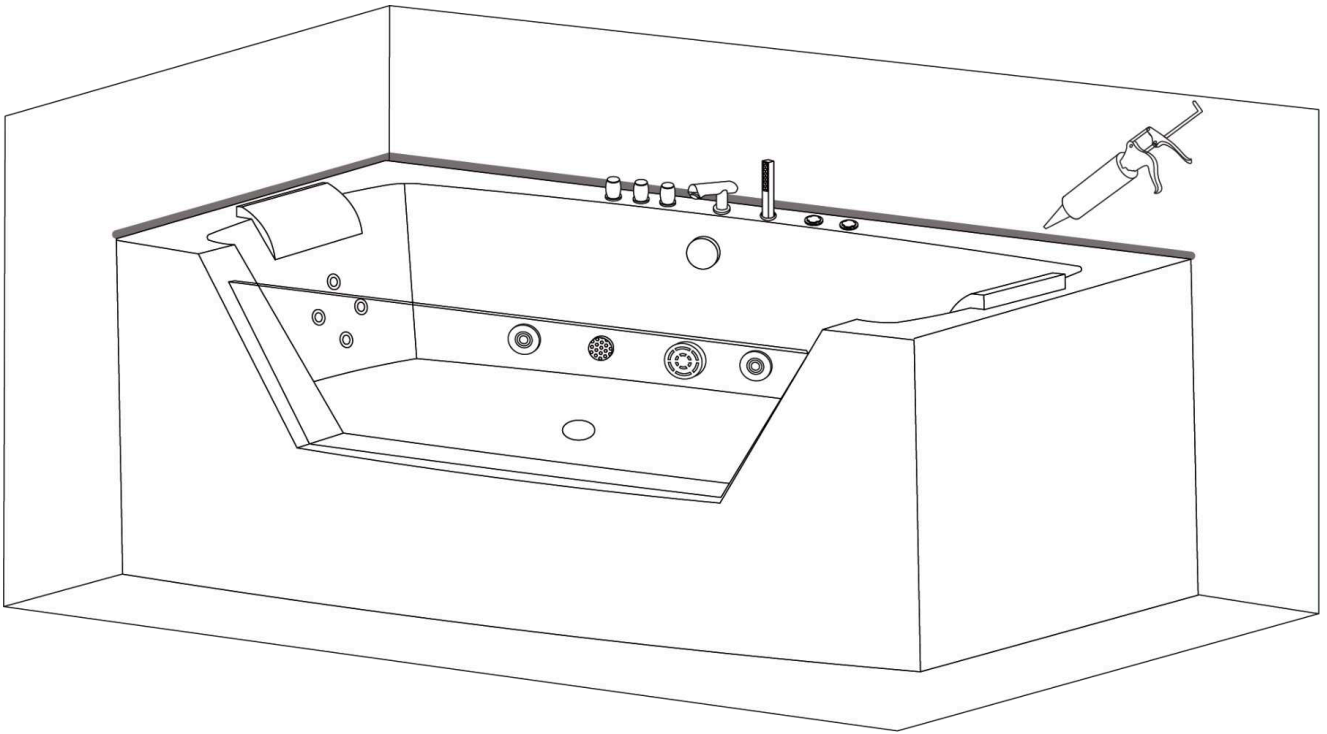
1. Água fria

2. Água quente
3. Alternância entre chuveiro manual e torneira
4. Chuveiro manual
5. Torneira de cascata









Instruções sobre o funcionamento da banheira

1. Ligue a energia.
2. Ligue os aquecedores de água fria e quente, e ajuste a temperatura.
3. Use o controlador para encher a banheira com água, seja da torneira ou do chuveiro manual.
4. Não ative a bomba de água até que o nível da água alcance os jatos.
5. Use o regulador de ar para ajustar a intensidade da massagem.
6. Gire o chuveiro manual para ajustar os efeitos da massagem.
7. A luz acenderá e mudará de cor automaticamente quando ligar a bomba de água. A luz apagará quando desligar a bomba de água.
8. Pressione o interruptor de ar para desligar a bomba. Esvazie a água após o uso e, por fim, desligue a energia.

Resolução de problemas

Erro	Possíveis motivos	Tente isto
A bomba de água não funciona	A alimentação não está bem ligada; a proteção contra fugas não está ligada	Ligue a alimentação e conecte a proteção contra fugas
	O impulsor da bomba de água está bloqueado por algo pequeno	Limpe o impulsor da bomba de água
	A bomba de água está desligada	Ligue a bomba de água.
	A fonte de alimentação não foi inserida corretamente	Ligue corretamente a fonte de energia
	Bomba de água danificada	Repare ou substitua a bomba de água
Jatos de massagem não iniciam	Problema de voltagem	Verifique a voltagem
	O botão On/Off não dá sinal ou não funciona	Verifique o interruptor ou substitua-o
	A circulação de água está bloqueada	Limpe os tubos de água
A banheira não está nivelada	Os pés ajustáveis não estão montados corretamente	Ajuste os pés

Transbordo de água	O dreno de transbordo está defeituoso	Substitua o dreno de transbordo
	As porcas estão soltas	Aperte as porcas
	As peças de ligação não estão corretamente fixadas	Verifique a fixação das peças de ligação

Limpeza

1. Utilize um pano macio para fins de limpeza, evitando o uso de detergentes fortes que contenham acetona ou amônia. É estritamente proibido desinfetar usando ácido fórmico ou formaldeído.
2. Se houver um risco na superfície, utilize uma lixa de água de 2000 grãos para polir suavemente. Em seguida, execute um polimento adicional usando pasta de dentes e um pano macio.
3. Depósitos de calcário podem ser removidos com vinagre ou sumo de limão.
4. Se a circulação de água estiver bloqueada, desparafuse os bocais e tubos e limpe-os.
5. A limpeza frequente não é necessária para os componentes banhados a ouro e prata.
6. Evite bater na banheira com objetos duros. Além disso, evite o contato direto entre a banheira e produtos que excedam a temperatura de 70 °C (por exemplo, cigarros). Não limpe a banheira com substâncias químicas que contenham lixívia.
7. Drene a água e desligue o cabo de alimentação após o uso.
8. Limpeza do sistema de massagem de água: encha a banheira com água quente a 40 °C e adicione 2g de detergente por litro.
9. Deixe o sistema de massagem funcionar por 5 minutos. Em seguida, pare e drene a água. Encha novamente a banheira com água fria e ative o sistema de massagem por 3 minutos. Agora pode esgotar a água novamente, e os seus jatos de massagem estarão limpos.

Precauções

1. A montagem deve ser realizada por um canalizador qualificado. Siga as instruções fornecidas no manual.
2. As mangueiras devem ser adquiridas de fornecedores locais e a sua ligação deve ser efetuada por um especialista. Em hipótese alguma devem ser utilizadas as mangueiras de ligação fornecidas pelo vendedor.
3. Ao montar o produto, o cliente deve garantir que o painel frontal esteja sempre acessível para fins de manutenção e no caso das peças precisarem de ser substituídas.

4. Os componentes elétricos devem estar em conformidade com as normas nacionais de segurança. Instale um disjuntor diferencial para a alimentação elétrica.
5. Todas as tubagens devem ser inspecionadas e seladas por um profissional especializado antes da utilização do produto e de forma periódica. As tubagens podem desconectar-se durante o transporte ou ao longo do tempo.
6. Não utilize água superaquecida e ative os jatos somente quando o nível de água estiver acima dos mesmos.
7. O dispositivo opera numa voltagem nominal de 230V. Desligue a fonte de alimentação após o seu uso.
8. Recomenda-se que não permaneça na banheira por mais de 30 minutos.
9. Reinicie o dispositivo ocasionalmente.
10. Se o cabo de alimentação estiver danificado, substitua-o imediatamente.
11. Leia atentamente o manual do utilizador para evitar acidentes e outros danos.
12. Efetue regularmente a limpeza e manutenção da banheira ou do sistema de hidromassagem conforme as instruções do fabricante, para prevenir a acumulação de sujidade, bactérias e a formação de fungos.
13. Em caso de avaria, compete ao cliente proceder à remoção da peça defeituosa e sua posterior reinstalação.

Informações gerais sobre funcionalidade e uso

Drene a água após cada banho. Nunca deixe crianças sozinhas na banheira.

Instruções de cuidado para a banheira de hidromassagem

A superfície é fácil de limpar e manter. A superfície lisa raramente atrai sujidade. Manutenção regular: esponja, pano macio e um agente de limpeza antiestático. Desta forma, a banheira manterá o seu brilho e irá repelir naturalmente a sujidade. Evite o uso de produtos de limpeza abrasivos ou à base de solventes que possam danificar a superfície da banheira. Para sujidade persistente, use um detergente líquido doméstico, como detergente para louças ou uma solução de sabão (siga as instruções de diluição). Remova manchas de calcário com um anticalcário. Enxague sempre com bastante água limpa e seque com um pano. Não utilize produtos de limpeza ácidos ou à base de vinagre.

Danos

Superfícies riscadas devem ser tratadas por um profissional. Trate com uma pasta de polimento sem solventes. Se necessário, a superfície pode ser tratada primeiro com uma lixa úmida (nº 800,

seguido por nº 1200) antes do polimento. Não utilize solventes à base de álcool ou acetona. Danos decorrentes de manuseio impróprio não estão cobertos pela garantia.



Cuidado! Quando molhada, a superfície configura um perigo real de queda. Este risco é incrementado pelo uso de sabonetes, shampoos, óleos de banho, etc.

Sujeito a alterações

A Beliani reserva-se ao direito de fazer alterações ou modificações nos produtos sem aviso prévio.

Importador:

Beliani (Internacional) GmbH, Haldenstrasse 5, 6340 Baar, Suíça

Declaração de desempenho

1. Identificador único do tipo de produto: número do produto na parte inferior da página
2. Uso pretendido: banheiras de hidromassagem para uso doméstico para higiene pessoal (PH)
3. Importador:
Beliani (Internacional) GmbH
Haldenstrasse 5
6340 Baar
Suíça
Telefone: +351 22 145 0745
4. Representante autorizado: %
5. Sistema de avaliação e verificação da constância de desempenho: Sistema 4
 - a. Norma harmonizada: EN 12764:2015
Organismo notificado: %
 - b. Documento de avaliação europeu: %
Avaliação Técnica Europeia: %
Organismo de avaliação técnica: %
Organismo notificado: %
6. Desempenhos declarados:
Caraterísticas essenciais Desempenho Especificação técnica harmonizada
Segurança contra
Emaranhamento de pêlos (HE) Aprovado EN 12764:2004+A1:2008
Capacidade de limpeza (CA) Aprovado EN 12764:2004+A1:2008
Durabilidade (DA) Aprovado EN 12764:2004+A1:2008
7. Documentação técnica adequada ou documentação técnica específica:
Relatório n.º: 50074404 001 TÜV Rheinland

A performance do produto acima corresponde às performances declaradas.

O importador mencionado acima é o único responsável por preparar a declaração de desempenho de acordo com o Regulamento (UE) nº 305/2011.

Apêndice

Número do artigo	Nome do artigo	Potência de saída
1213 MONTEGO	Banheira com função de massagem	HE + CA + DA
1218 SAMANA	Banheira com função de massagem	HE + CA + DA
1219 MARTINICA	Banheira com função de massagem	HE + CA + DA
15497 TOCOA	Banheira com função de massagem	HE + CA + DA
13720 SALAMANCA	Banheira com função de massagem	HE + CA + DA
14894 MONTEGO	Banheira com função de massagem	HE + CA + DA
1216 PARADISO	Banheira com função de massagem	HE + CA + DA
1217 PARADISO	Banheira com função de massagem	HE + CA + DA
1223 VARADERO	Banheira com função de massagem	HE + CA + DA
14892 PARADISO	Banheira com função de massagem	HE + CA + DA

Assinado em nome do importador e em nome do fabricante por:
Michael Widmer, Diretor executivo



6340 Baar, 13.05.2020

Español (ES)

Instrucciones de montaje de la bañera

Fabricante e importador:

Beliani (Internacional) GmbH, Haldenstrasse 5, 6340 Baar, Suiza



Instrucciones de Uso

Lee detenidamente las instrucciones de uso antes de la instalación.

Inspección de la mercancía

Al recibir el artículo, verifica su integridad y cualquier daño. Si observas alguna imperfección, ponte en contacto con el vendedor. No nos hacemos responsables de los daños ocurridos durante o después de la instalación.

Levantar/mover la bañera

Para levantar o mover la bañera, agárrala por los bordes, nunca por las mangueras o partes de la instalación.

Colocación de tuberías

Las tuberías no deben colocarse debajo de la bañera.

Protección contra daños

Utiliza fundas protectoras para evitar daños a la superficie u obstrucciones causadas por suciedad o polvo durante el proceso de instalación. Antes de comenzar, cubre temporalmente los componentes sensibles, como los desagües, boquillas y el panel de control, con cubiertas de protección.

Precaución especial

Durante la limpieza, asegúrate de que el amoníaco o cualquier otro producto de limpieza similar no entre en contacto con los componentes.

Conexión eléctrica (230 V)

Esta tarea ha de ser llevada a cabo por un electricista calificado. Añade protección con un interruptor diferencial residual (30 mA).

Reglamentos de seguridad

Durante la instalación, se han de seguir una serie de pasos para evitar posibles accidentes. La instalación ha de ser realizada por un técnico calificado. La bañera debe estar conectada a una tensión de 230 V CA a 50 Hz. El dispositivo ha de ser alimentado a través de un elemento de corriente residual nominal inferior a 30 mA. Además, la instalación eléctrica debe estar equipada con un interruptor automático que garantice la desconexión total de todos los polos de la fuente de alimentación.

Se ha de igualar el voltaje entre los elementos metálicos de la bañera, siguiendo las regulaciones apropiadas de cada país. Las partes con componentes con tensión, excepto aquellas que operan con una tensión extra baja que no excede los 12 V, deben ser inaccesibles para el usuario. Los componentes eléctricos han de estar asegurados para evitar que caigan al interior de la bañera.



Conexiones de agua para masaje de agua o rebosadero

Tan pronto como la entrada de agua se encuentre por debajo del borde de la bañera, se ha de establecer una conexión con un dispositivo de seguridad de acuerdo a la norma EN 1717 (Categoría de líquidos 5). Esta situación implica el uso de un dispositivo de seguridad de corriente continua (por ejemplo, un interruptor de tubería tipo 1 con una conexión permanente a la atmósfera) según los requisitos específicos de la instalación. Esta conexión ha de ser llevada a cabo por un especialista calificado. Se aplica en los siguientes casos:

- A. Todas las bañeras llenadas a través del desagüe.
- B. Todas las bañeras conectadas y llenadas a través de las boquillas del masaje de agua en la unión T existente.

En ambos casos, la conexión ha de establecerse utilizando tubos elásticos reforzados capaces de llevar agua caliente y fría premezclada.

Caudal: Máximo 20 L/min (EN 200)

Capacidad de desagüe: Mínimo 36 L/min (EN 274)

Capacidad de drenaje: Mínimo 48 L/min (EN 274)

Instalación permanente

Deben proporcionarse escotillas de mantenimiento con dimensiones de al menos 50 x 50 cm, garantizando el acceso a los distintos componentes técnicos como la bomba, el soplador, las

válvulas, la caja de conexiones y otros. Es preferible recurrir a paneles laterales extraíbles, priorizando los elementos rígidos.

Se recomienda instalar escotillas de mantenimiento de 20 x 20 cm para el desagüe/rebosadero, asegurando el aislamiento acústico durante la instalación.

Para una ventilación adecuada, es preciso instalar una rejilla de ventilación (no incluida). Dependiendo del modelo de la bañera, es preferible colocarla en el revestimiento de la pared, cerca de las unidades. Dentro de la escotilla, se puede disponer una rejilla (mínimo 150 cm) para suministrar aire al ventilador. Alternativamente, considera colocar una escotilla de mantenimiento/rejilla de ventilación en la habitación adyacente.

Para optimizar el aislamiento acústico, puedes instalar la rejilla de ventilación con materiales insonorizantes. Considera la posibilidad de disponer una en la habitación adyacente.

Cuando el espacio es limitado: si no se dispone del suficiente espacio para una escotilla de mantenimiento, se recomienda optar por el "montaje en superficie". Asegúrate de que el tubo de desagüe, las conexiones eléctricas y, si corresponde, la línea de suministro de agua puedan desconectarse a través de la abertura de ventilación. Sella todo el perímetro del borde de la bañera con silicona (libre de ácido acético).

La bañera debe colocarse sobre una superficie que resista el agua (por ejemplo, baldosas) y con una ligera inclinación hacia el exterior, para que, en caso de una posible fuga o caída de agua, salga por debajo del zócalo y no se acumule debajo de la bañera. La garantía no cubre daños por agua causados por una instalación deficiente. Se recomienda no rodear la bañera de hidromasaje con baldosas. La bomba de agua, la de aire y la desinfección de ozono requieren circulación de aire.

No viertas agua en el soporte de ducha durante su uso. La garantía no cubre daños por agua causados por un uso indebido.

Los componentes internos de la bañera deben ser fácilmente accesibles, de lo contrario, la garantía no cubre el acceso a dichos elementos en caso de fallo.

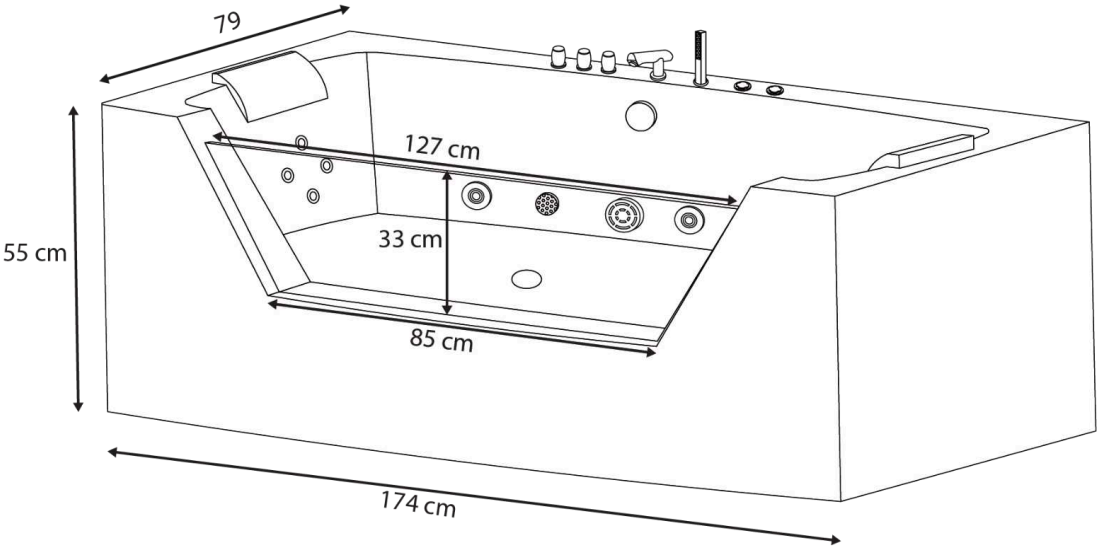
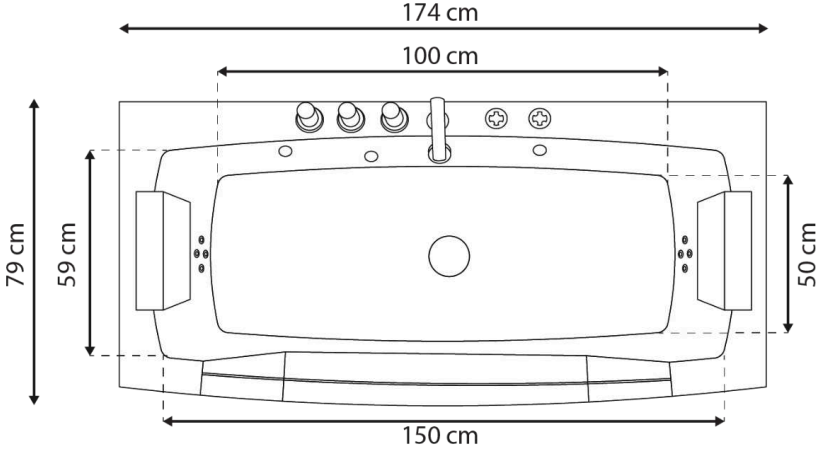
Verificación de fugas

Una vez conectados la entrada de agua y el desagüe, llena la bañera y comprueba si hay fugas. Verifica las siguientes funciones utilizando el panel de control:

- A. Sistema de aire
- B. Configuración de la bomba de agua

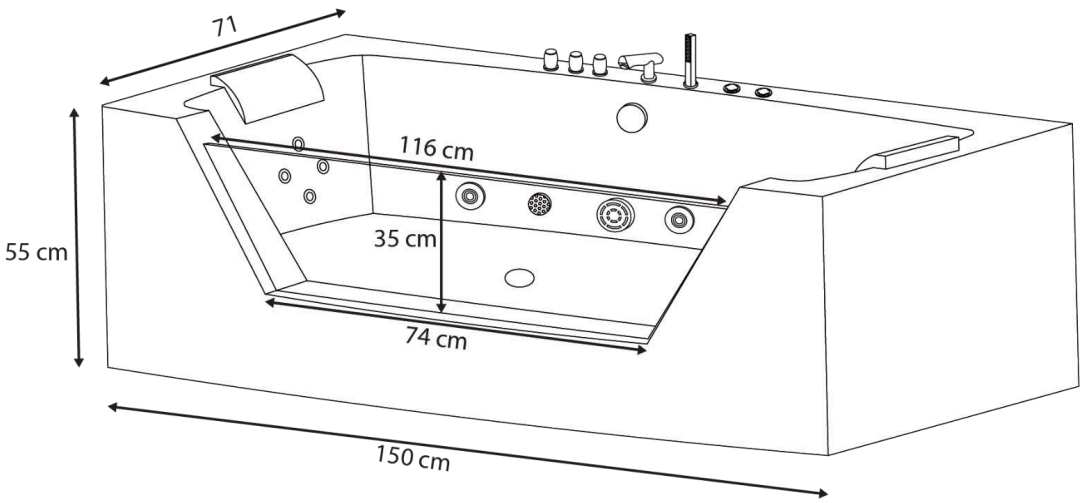
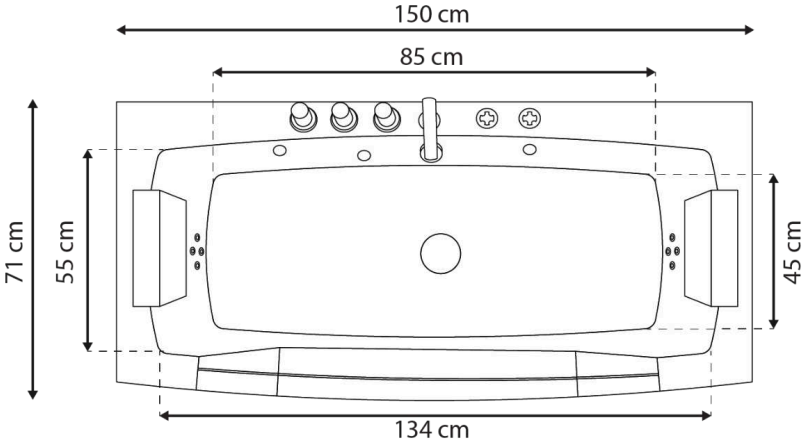
La temperatura del agua de la bañera no debe superar los 40 °C.

MODELO RT1708 1740*790*550mm



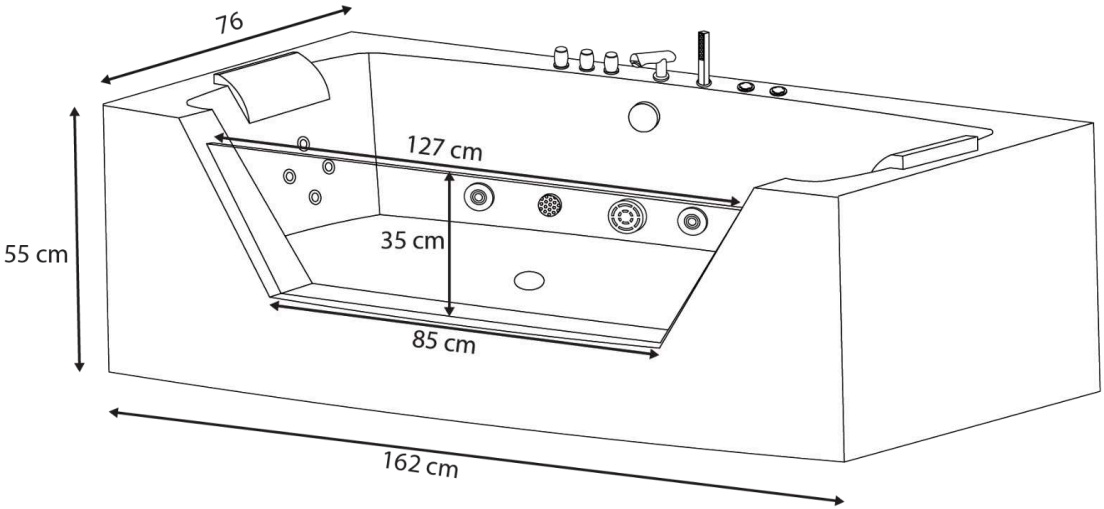
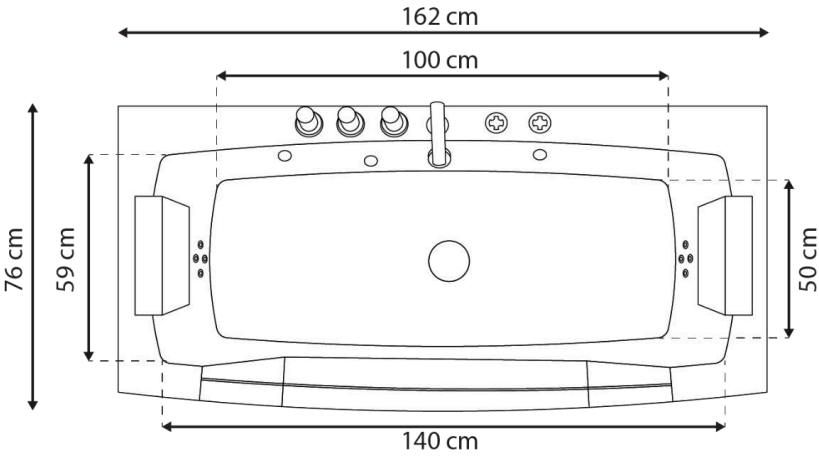
+/- 2 cm

MODELO RT1503 1500*710*550mm



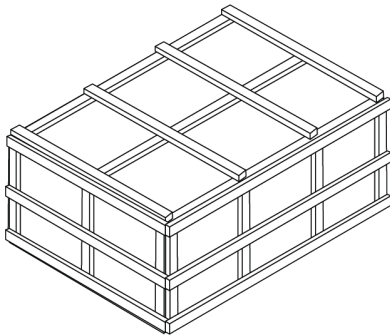
+/- 2 cm

MODELO RT1603 1620*760*550mm

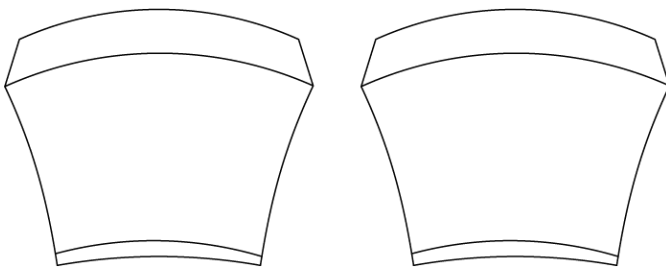


+/- 2 cm

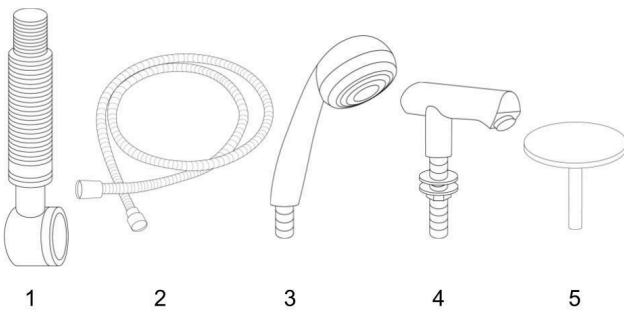
Contenido del paquete



Usa unas tijeras para abrir la caja; revisa que todas las piezas se encuentren en su interior.

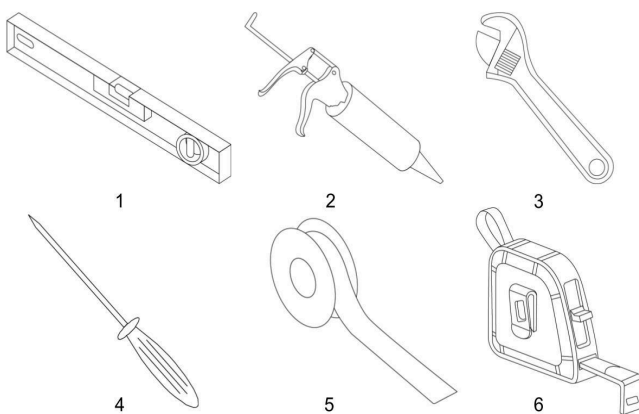


2 x Reposacabezas



Accesorios

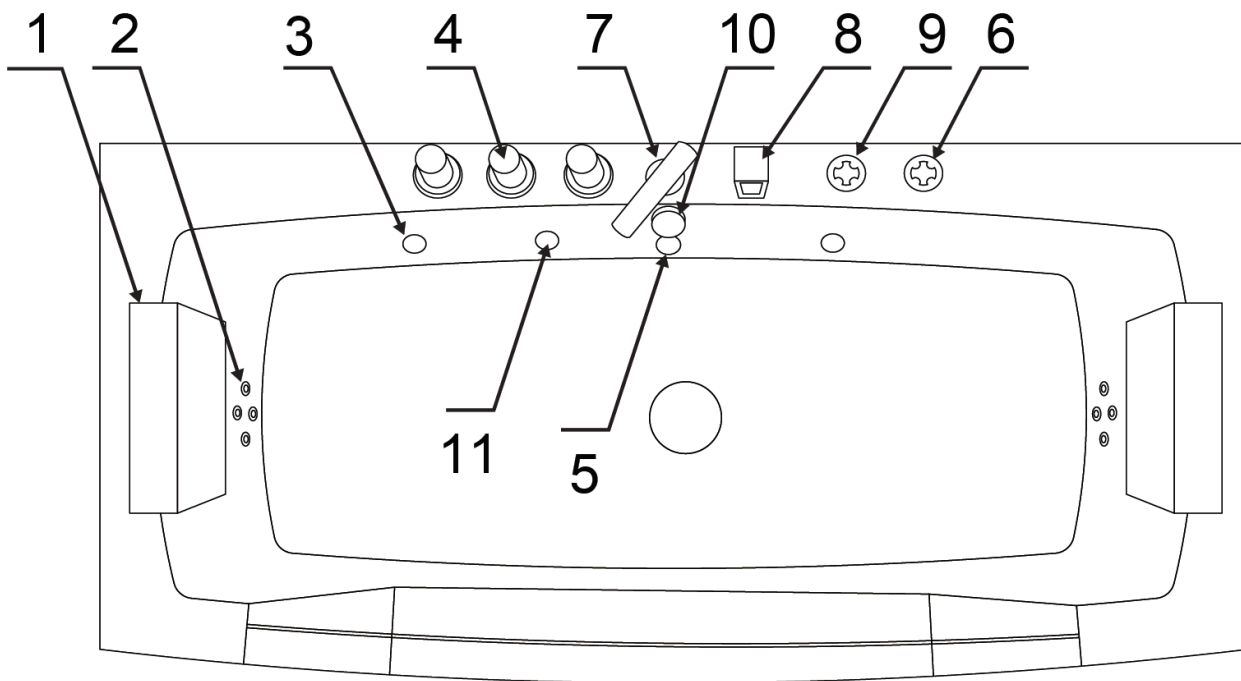
1. 1x Desagüe
2. 1x Manguera de ducha manual
3. 1x Ducha manual
4. 1x Entrada de agua en cascada
5. 1x Cubierta del desagüe



Herramientas para el montaje

1. Nivel de burbuja
2. Sellador
3. Llave ajustable
4. Destornillador
5. Cinta de sellado de hilo de PTFE
6. Cinta métrica

Preparación
Montaje de la bañera

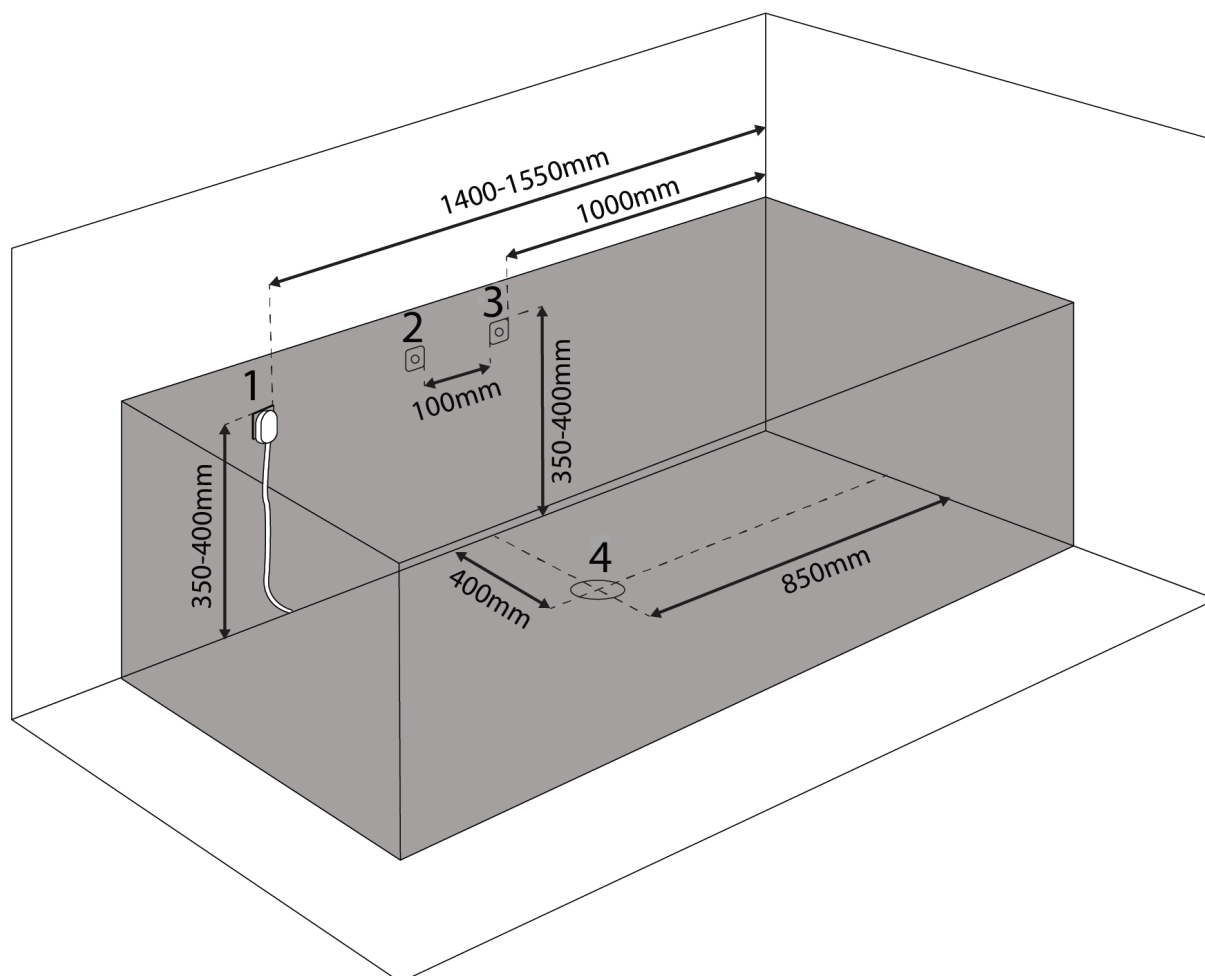


Artículo	Descripción	Artículo	Descripción
1	Reposacabezas	2	Chorros pequeños
3	Chorros grandes	4	Interruptor de agua
5	Succión	6	Interruptor de encendido/apagado
7	Grifo de agua	8	Ducha manual
9	Regulador	10	Regulador de desagüe
11	Luz subacuática		

Parámetros eléctricos

Voltaje nominal	Frecuencia nominal	Potencia nominal máxima	Potencia nominal máxima
230 V	50 Hz	2600 W	11.8 A

1. Esta tarea ha de ser llevada a cabo por un electricista calificado. Asegúrate de ofrecer protección mediante un interruptor diferencial residual (30 mA).
2. Se debe disponer de protección contra fugas eléctricas. Los cables deben estar asegurados y el tamaño ha de ser superior a 2,5 mm². El sistema de suministro de energía debe cumplir con las regulaciones nacionales.
3. Advertencia: Al utilizar dispositivos eléctricos, sigue las precauciones de seguridad.
4. Peligros: Peligro de descarga eléctrica. Conecta los circuitos únicamente cuando se encuentren protegidos por un interruptor de circuito de falla a tierra (GFCI). El GFCI no está incluido, aunque te proporcionaremos toda la información necesaria. Es requerido por ley.

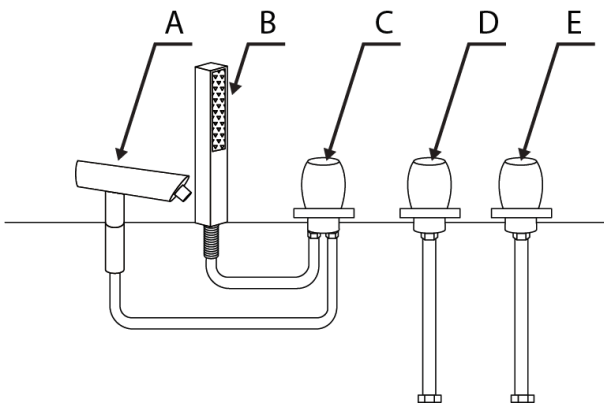


Plano de la toma de corriente

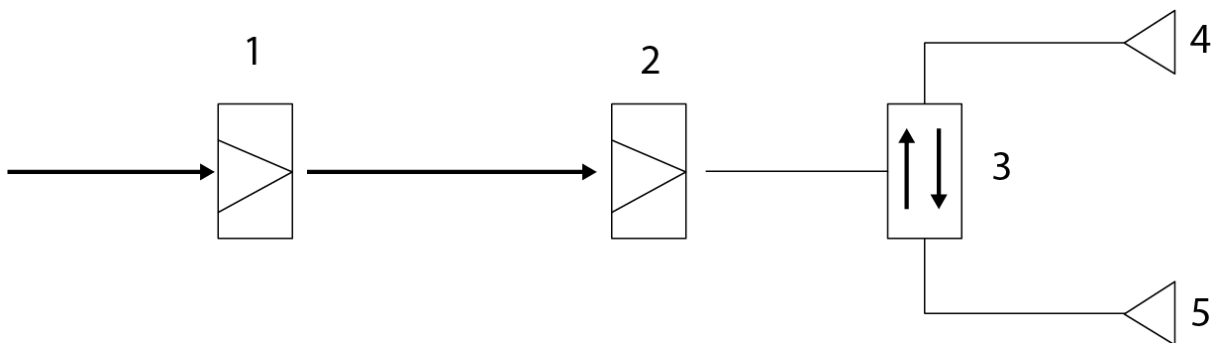
1. Toma de corriente eléctrica
2. Agua caliente
3. Agua fría
4. Orificio de desagüe

Plan de conexión

- A. Grifo
- B. Ducha manual
- C. Cambio entre ducha manual y grifo
- D. Entrada de agua caliente
- E. Entrada de agua fría

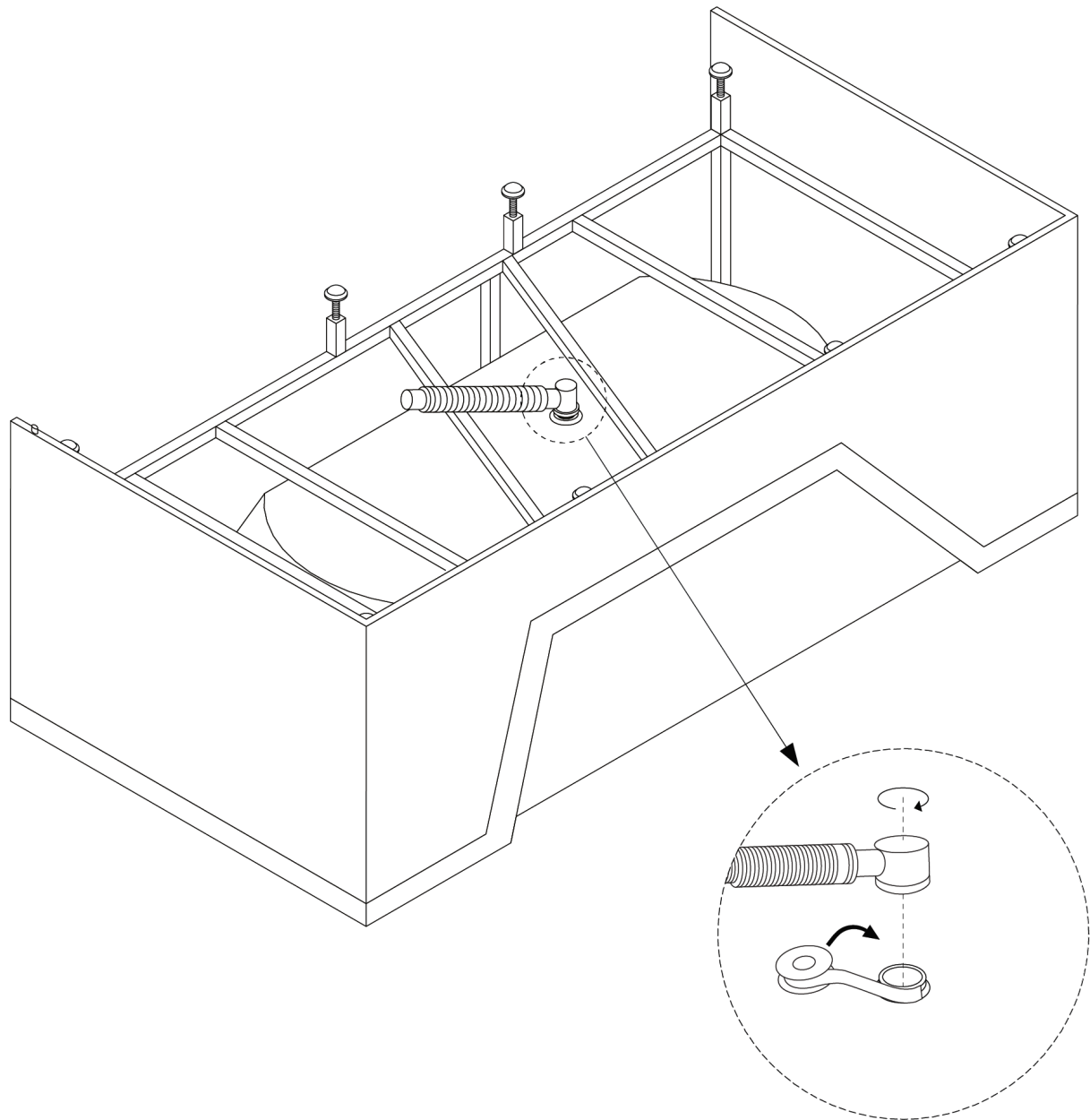


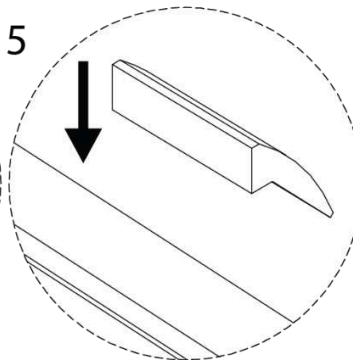
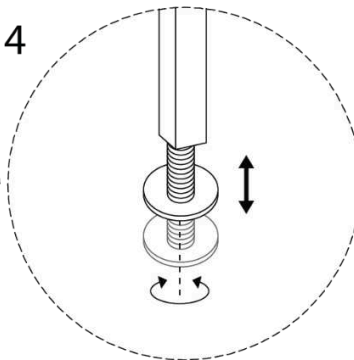
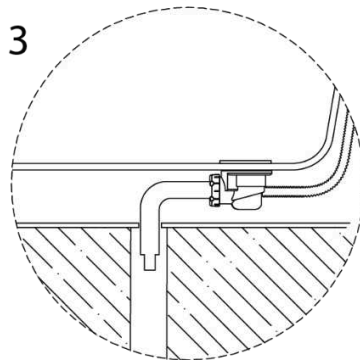
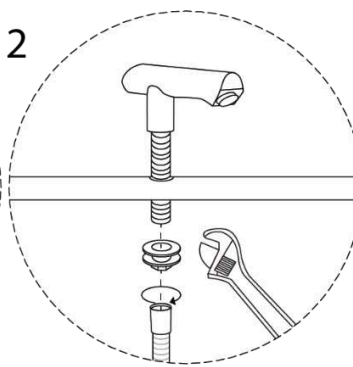
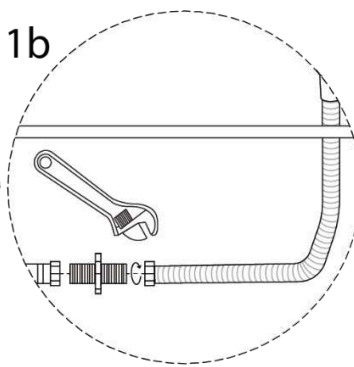
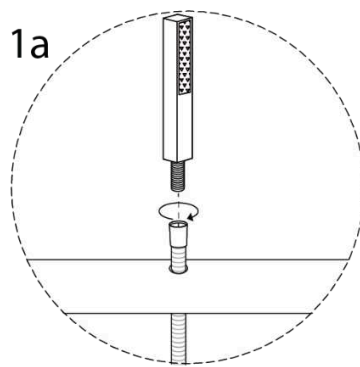
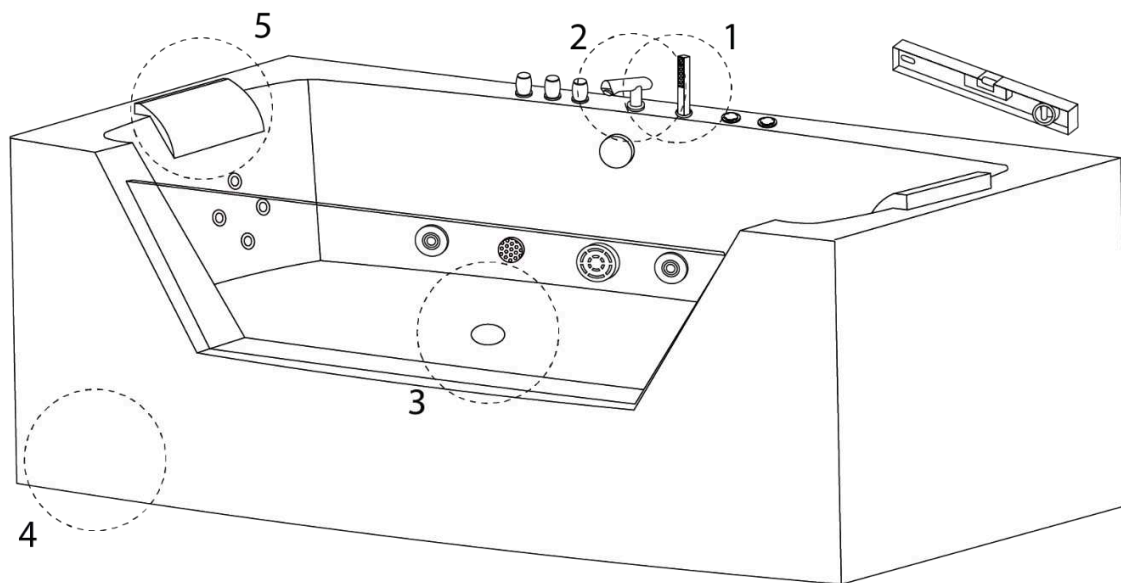
Suministro de agua

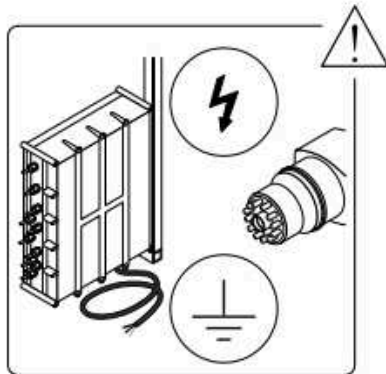
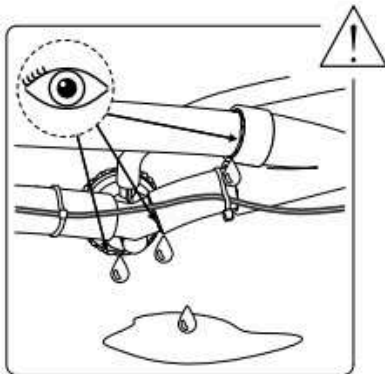
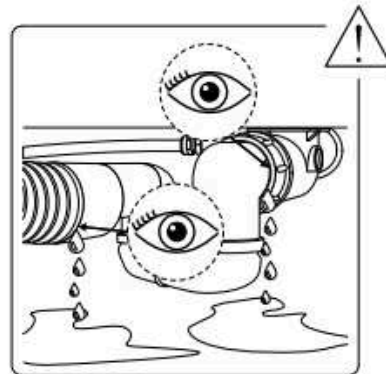
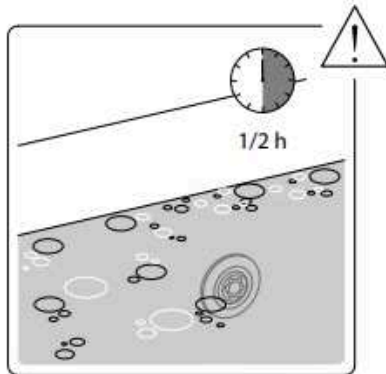
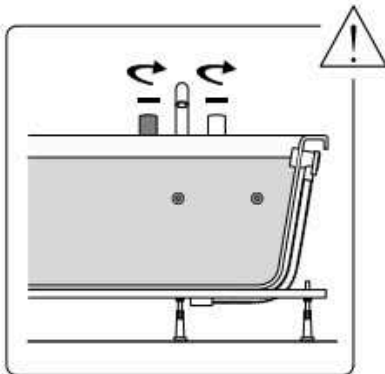
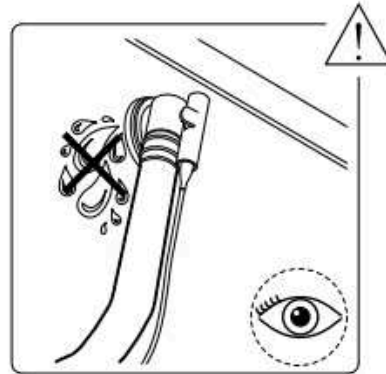
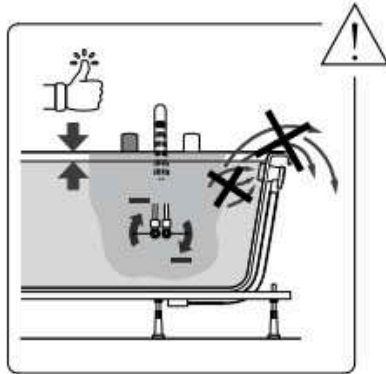
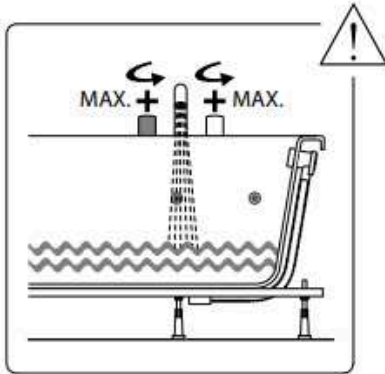
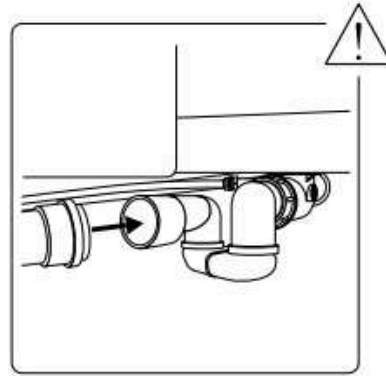
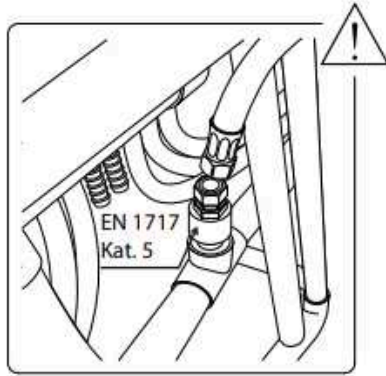
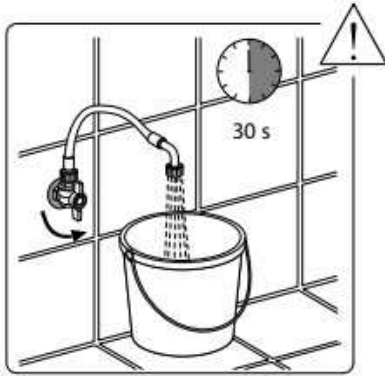


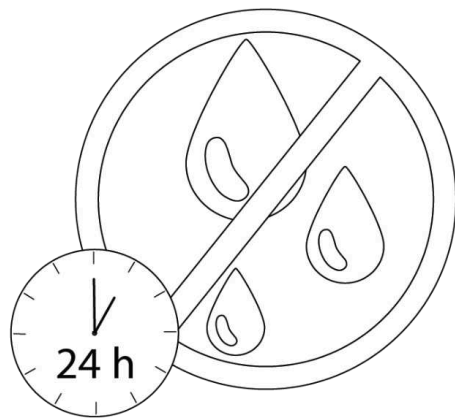
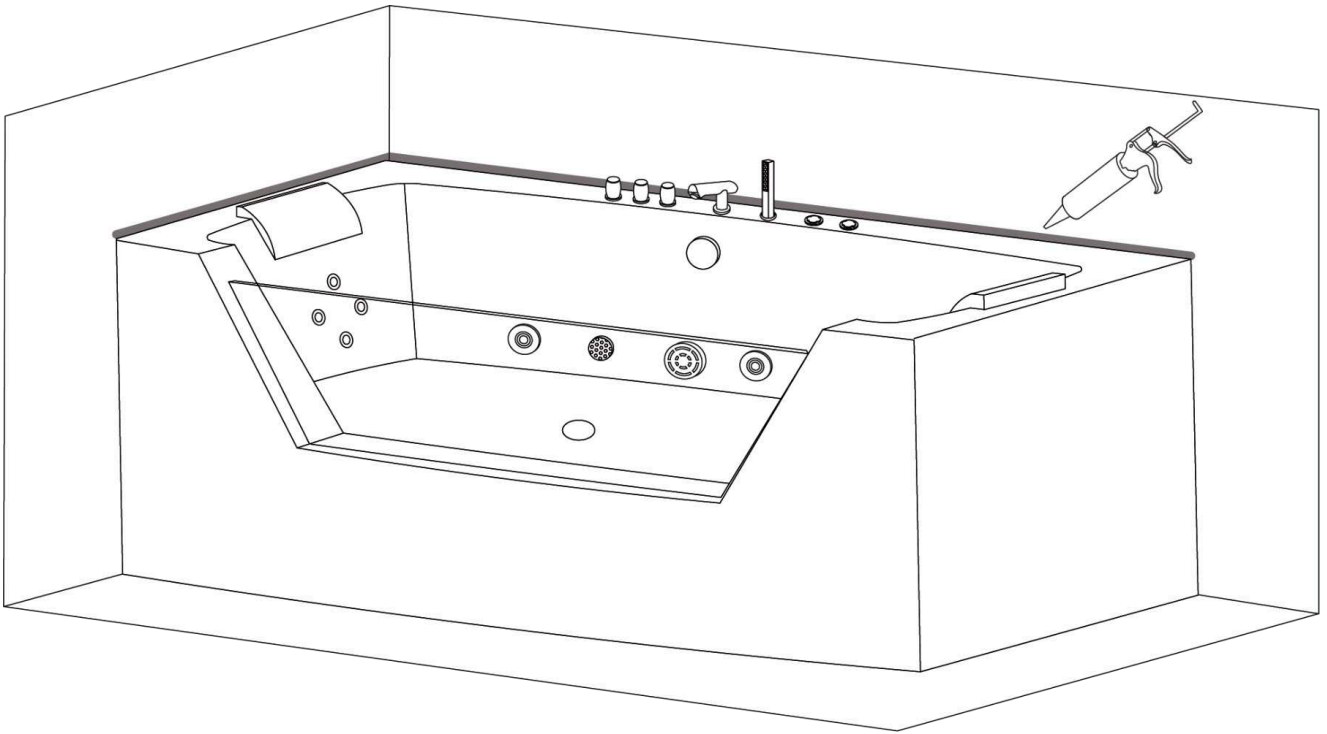
1. Agua fría

2. Agua caliente
3. Cambio entre ducha manual y grifo
4. Ducha manual
5. Grifo en cascada









Instrucciones de operación

1. Enciende el equipo.
2. Activa el calentador de agua fría y caliente. Ajusta la temperatura.
3. Utiliza el controlador para llenar la bañera con agua, ya sea desde el grifo o la ducha manual.
4. No actives la bomba hasta que el nivel de agua alcance los chorros.
5. Ajusta la intensidad del masaje con el regulador de aire.
6. Gira la ducha manual para ajustar los efectos del masaje.
7. Una vez puesta la bomba de agua en funcionamiento, la luz se enciende y cambia de colores de forma automática. La luz se apagará cuando apagues la bomba de agua.
8. Presiona el interruptor de aire para apagar la bomba. Retira el agua y apaga el equipo.

Resolución de problemas

Error	Posibles motivos	Intenta lo siguiente
La bomba de agua no funciona	El enchufe de alimentación no está conectado de forma correcta; la protección contra fugas no está conectada	Conecta el enchufe de alimentación y el protector contra fugas
	El impulsor de la bomba de agua está bloqueado por algo pequeño	Limpia el impulsor de la bomba de agua
	La bomba de agua está apagada	Enciende la bomba de agua
	El enchufe de alimentación no ha sido insertado de forma correcta	Conecta correctamente el suministro de energía
	Bomba de agua dañada	Repara o reemplaza la bomba de agua
Los chorros de masaje no se encienden	Problema de voltaje	Verifica el voltaje
	El botón de encendido/apagado no funciona	Revisa el interruptor o cámbialo
	La circulación de agua está bloqueada	Limpia las tuberías de agua
La bañera no está nivelada	Las patas ajustables no están configuradas de forma correcta	Ajusta las patas
Desbordamiento de agua	El rebosadero está defectuoso	Reemplaza el rebosadero

	Las tuercas están flojas	Aprieta las tuercas
	Las partes conectadas no están unidas de forma correcta	Inspecciona el adhesivo de las partes conectadas

Limpieza

1. Utiliza un paño suave, evitando el uso de detergentes que contengan acetona o amoníaco. Está prohibido desinfectar con ácido fórmico o formaldehído.
2. Si hay un rasguño o marca en la superficie, procede al pulido con papel de lija mojado de grano 2000. Continúa con este proceso con la ayuda de pasta de dientes y un paño suave.
3. Puedes eliminar los depósitos de cal con vinagre o zumo de limón.
4. Si la circulación del agua está bloqueada, desenrosca las boquillas y las tuberías y procede a la limpieza.
5. No es necesario limpiar con frecuencia los componentes chapados en oro y plata.
6. No golpees la bañera con objetos duros. Evita el contacto directo con objetos de temperatura superior a 70 °C (por ejemplo, cigarrillos). No la limpies con sustancias químicas que contengan cloro.
7. Retira el agua y desconecta el cable de alimentación después de su uso.
8. Limpieza del sistema de masaje de agua: Llena la bañera con agua caliente a 40 °C y añade 2 g de detergente por litro. Deja que el sistema de masaje funcione durante 5 minutos. Posteriormente, para su funcionamiento y drena el agua. Vuelve a llenar la bañera con agua fría y activa el sistema de masaje durante 3 minutos. Ahora puedes volver a drenar el agua, y los chorros de masaje estarán limpios.

Precauciones

1. La instalación ha de ser llevada a cabo por un instalador de fontanería calificado. Sigue las instrucciones del manual.
2. Hazte con mangueras de fuentes locales. La conexión ha de ser efectuada por un especialista. No se deben utilizar mangueras de conexión proporcionadas por el vendedor.
3. Todas las mangueras deben ser revisadas y selladas por un especialista antes de utilizar el producto y de forma periódica. Las mangueras pueden desconectarse durante el transporte o con el paso del tiempo.
4. Al instalar el producto, el cliente debe asegurarse de que el panel frontal sea accesible en todo momento. De esta forma se asegura un buen mantenimiento y la posibilidad de reemplazar piezas.

5. Los componentes eléctricos deben cumplir con las normas de seguridad nacionales. Instala un interruptor de circuito de fuga a tierra para el suministro de energía.
6. No utilices agua sobrecalentada y activa los chorros una vez que el nivel de agua esté por encima de ellos.
7. El dispositivo opera a un voltaje nominal de 230 V. Desconecta el suministro de energía después de su uso.
8. Se recomienda no permanecer en la bañera por más de 30 minutos.
9. Reinicia el dispositivo de manera ocasional.
10. Si el cable de alimentación está dañado, debe ser reemplazado de inmediato.
11. Lee el manual de usuario para evitar accidentes y otros daños.
12. Limpia regularmente la bañera o el jacuzzi siguiendo las instrucciones del fabricante para evitar la acumulación de suciedad y bacterias y la formación de moho.
13. En caso de defecto, el cliente es responsable de retirar la pieza defectuosa y volver a montarla.

Información general sobre la funcionalidad y el uso

Drena el agua después de cada baño. No dejes a los niños desatendidos en la bañera.

Instrucciones de mantenimiento para la bañera de hidromasaje

Es fácil de limpiar y mantener. La superficie es lisa y apenas atrae la suciedad. Mantenimiento regular: esponja, paño suave y algún agente de limpieza antiestático. De esta manera, la bañera mantiene el brillo y repele la suciedad. Evita el uso de limpiadores abrasivos o a base de solventes que puedan dañar la superficie. Para la suciedad persistente, recurre a una solución líquida, como un detergente para lavar los platos o un jabón (siguiendo las instrucciones de dilución). Retira las manchas de cal con un anti cal. Enjuaga a fondo con agua clara y limpia con un paño. No utilices agentes de limpieza ácidos o a base de vinagre.

Daños

Las superficies rayadas han de ser reparadas por un profesional. Realiza un tratamiento con pasta de pulido libre de solventes. Si es necesario, puedes tratarla primero con papel de lija mojado de grano 800, seguido de grano 1200, antes del pulido. No recurras a solventes a base de alcohol o acetona. La garantía no cubre los daños resultantes de un uso inapropiado.



¡Atención! Si la superficie está mojada, existe un mayor riesgo de resbalón. Sucede especialmente al utilizar jabones, champús, aceites de baño, etc.

Sujeto a cambios

Beliani se reserva el derecho de realizar cambios o modificaciones en el producto sin previo aviso.

Importador:

Beliani (Internacional) GmbH, Haldenstrasse 5, 6340 Baar, Suiza

Declaración de prestaciones

1. Identificador Único del Tipo de Producto: Número de Producto en la parte inferior de la página
2. Uso previsto: bañeras de hidromasaje para uso doméstico e higiene personal (PH)
3. Importador:
Beliani (Internacional) GmbH
Haldenstrasse 5
6340 Baar
Suiza
Teléfono +34 93 271 40 61
4. Representante autorizado: %
5. Sistema de evaluación y verificación de las prestaciones: Sistema 4
 - a. Norma armonizada: EN 12764:2015
Organismo notificado: %
 - b. Documento de evaluación europeo: %
Evaluación técnica europea: %
Organismo de evaluación técnica: %
Organismo notificado: %
6. Prestaciones declaradas:
Características esenciales Prestaciones Especificación técnica armonizada.
Seguridad contra
Enredo del pelo (HE) Superada EN 12764:2004+A1:2008
Facilidad de limpieza (CA) Superada EN 12764:2004+A1:2008
Durabilidad (DA) Superada EN 12764:2004+A1:2008
7. Documentación Técnica Apropiada o Documentación Técnica Específica:
Informe nº: 50074404 001 TÜV Rheinland

El rendimiento del producto mencionado con anterioridad corresponde a las prestaciones declaradas. El importador mencionado anteriormente es el único responsable de la elaboración de la declaración de prestaciones de acuerdo con el Reglamento (UE) N.º 305/2011.

Anexo

Número de artículo	Nombre del artículo	Potencia de salida
1213 MONTEGO	Bañera con función de masaje	HE + CA + DA
1218 SAMANA	Bañera con función de masaje	HE + CA + DA
1219 MARTINICA	Bañera con función de masaje	HE + CA + DA
15497 TOCOA	Bañera con función de masaje	HE + CA + DA
13720 SALAMANCA	Bañera con función de masaje	HE + CA + DA
14894 MONTEGO	Bañera con función de masaje	HE + CA + DA
1216 PARADISO	Bañera con función de masaje	HE + CA + DA
1217 PARADISO	Bañera con función de masaje	HE + CA + DA
1223 VARADERO	Bañera con función de masaje	HE + CA + DA
14892 PARADISO	Bañera con función de masaje	HE + CA + DA

Firmado por el importador y en nombre del fabricante por:
Michael Widmer, Director Ejecutivo



6340 Baar, 13.05.2020

Svenska (SE)

Monteringsinstruktioner för badkar

Tillverkare och importör:

Beliani GmbH, Haldenstrasse 5, 6340 Baar, Schweiz



Bruksanvisning:

Denna bruksanvisning måste läsas noggrant före installation.

Inspektion av varor vid leverans

Inspektera varan vid mottagandet för att se om den är hel och om det finns några skador. Om du upptäcker någon skada ska du omedelbart informera säljaren. Vi ansvarar inte för skador som uppstår under eller efter installationen.

Lyft/förflyttning av badkaret

Ta tag i kanterna för att lyfta eller flytta karet - aldrig i slangarna eller installationsdelarna.

Läggning av rör

Rör får inte läggas under badkaret.

Skydd mot skador

Använd lämpliga skydd för att förhindra skador på ytor och blockeringar orsakade av smuts eller damm under monteringsprocessen. Innan installationen/monteringen påbörjas ska känsliga komponenter som avlopp, munstycken och manöverpanel tillfälligt täckas med skydd.

Särskild försiktighet

Vid rengöring av kakelplattor, se till att ammoniak eller liknande starka rengöringsmedel inte kommer i kontakt med de inbyggda komponenterna.

Elektrisk anslutning (230 V)

Denna uppgift får endast utföras av en behörig elektriker. Säkerställ skydd genom en jordfelsbrytare (30 mA).

Säkerhetsföreskrifter

Vid installation av badkaret finns det flera viktiga steg att beakta för att förhindra potentiella olyckor. Installationen bör endast utföras av kvalificerade tekniker. Badkaret måste anslutas till en spänning på 230 V AC vid 50 Hz. Enheten måste strömförsörjas genom en jordfelsbrytare med en märkutlösningsström som inte överstiger 30 mA. Dessutom måste den elektriska installationen vara utrustad med en strömbrytare för att säkerställa allpolig frånkoppling från strömförsörjningen.

En potentialutjämningsförbindelse måste upprättas mellan badkarets metallelement, i enlighet med gällande regler i respektive land. Strömförande delar, förutom de som drivs med en låg spänning som inte överstiger 12 V, måste vara otillgängliga för personer i badkaret. Elektriska komponenter måste placeras eller säkras på ett sätt som förhindrar att de faller ner i badkaret.



Vattenanslutningar för vattenmassage eller bräddavlopp

Så snart vattenintaget är under badkarets kant måste en anslutning upprättas med en säkerhetsanordning i enlighet med EN 1717 (vätskekategori 5). Detta kan t.ex. innebära att en DC-säkerhetsanordning (t.ex. en typ 1 rörbrytare med permanent anslutning till atmosfären) används baserat på de specifika installationskraven. Denna anslutning får endast utföras av en kvalificerad specialist. Dessa riktlinjer gäller för följande scenarier:

- A. Alla kar som fylls genom bräddavloppet.
- B. Alla kar som ansluts och fylls via vattenmunstyckena i den befintliga T-kopplingen.

I båda fallen måste anslutningen göras med hjälp av förstärkta elastiska slangar som kan transportera förblandat varmt och kallt vatten.

Flödeskapacitet: Maximalt 20 liter/minut (EN 200)

Överfyllnadskapacitet: Minst 36 liter/minut (EN 274)

Avrinningskapacitet: Minst 48 liter/minut (EN 274)

Fast installation

Underhållsluckor bör ha dimensioner på minst 50 x 50 cm för att säkerställa tillgänglighet till tekniska komponenter som pump, fläkt, ventiler, kopplingsbox och andra anslutningar. Använd helst avtagbara sidopaneler, men prioritera alltid solida element.

Det rekommenderas dessutom att installera underhållsluckor med dimensionerna 20 x 20 cm för dränering/överfyllnad, för att säkerställa korrekt ljudisolering vid installation.

För korrekt ventilation är installation av en ventilationsgaller (inte inkluderat) absolut nödvändigt. Beroende på badkarsmodell, placera ventilationsgallret i väggbeklädnaden nära enheterna. Inuti luckan kan ett ventilationsgaller (minst 150 cm) monteras för att tillföra luft till fläkten. Alternativt kan du överväga att placera en underhållslucka/ventilationsgaller i ett angränsande rum.

För att optimera ljudisoleringen, installera ventilationsgallret med ljuddämpande material. Det är också acceptabelt att placera ventilationsgallret i angränsande rum om det är lämpligt.

När utrymmet är begränsat: Om det inte finns tillräckligt med plats för en underhållslucka, rekommenderas "ytmontering" för att möjliggöra fullständig demontering av badkaret vid behov. Se till att avloppsröret, elektriska anslutningar och, om tillämpligt, vattenledningen kan kopplas bort genom ventilationsöppningen. Täta hela badkarets omkrets med silikon (fri från ättiksyra).

Badkaret bör placeras på en yta som stöder vattnet (t.ex. kakel) och med en liten lutning utåt, så att eventuellt läckande vatten eller vatten som faller ner kommer ut under sockeln och inte samlas under badkaret. Garantin täcker inte vattenskador orsakade av felaktig installation. Det rekommenderas att inte helt omge bubbelbadkaret med kakel. Vattenpumpen, luftpumpen och ozondesinfektionen kräver luftcirkulation.

Vatten bör inte hällas direkt i duschhållaren under användning. Garantin täcker inte vattenskador orsakade av felaktig användning. De interna komponenterna i badkaret måste vara lätt tillgängliga, annars täcker inte garantin tillgång till de interna komponenterna vid fel.

Kontroll av läckage

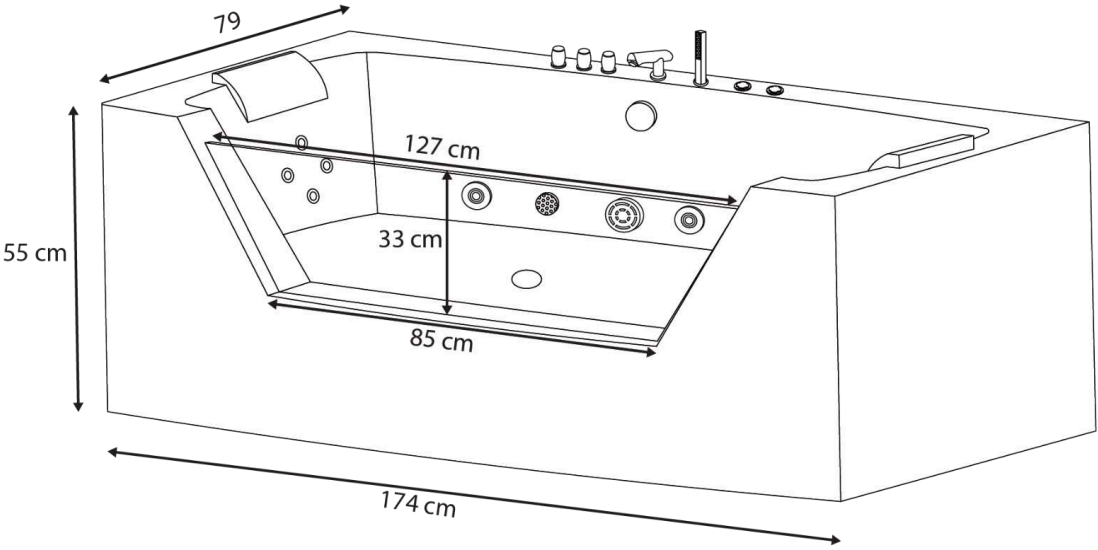
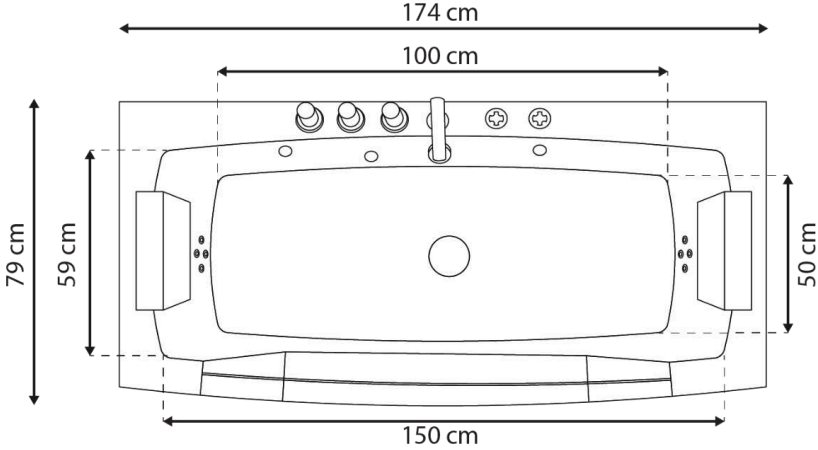
När du har anslutit badkarets vatteninlopp och avlopp måste det fyllas och kontrolleras för läckage.

Kontrollera följande funktioner med hjälp av kontrollpanelen:

- A. Luftsystem
- B. Inställningar för vattenpump

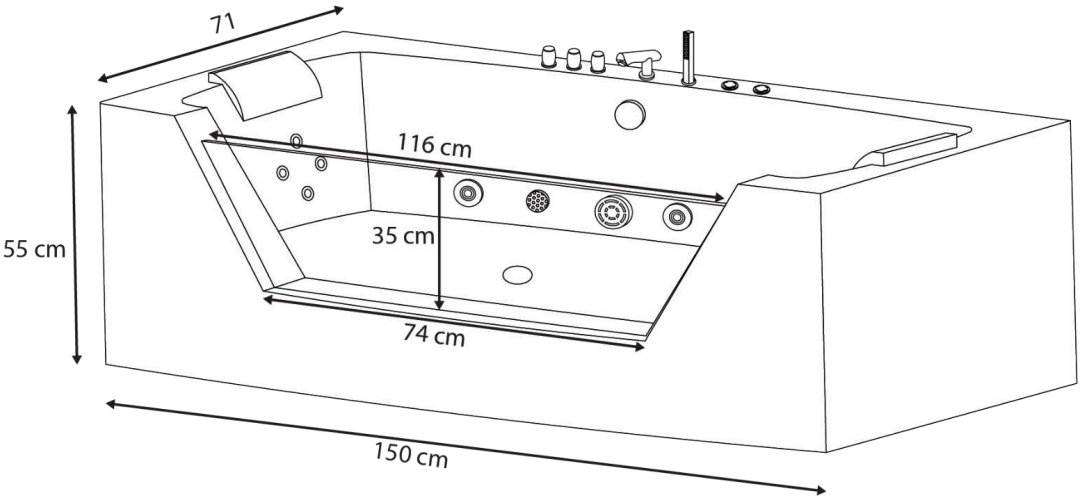
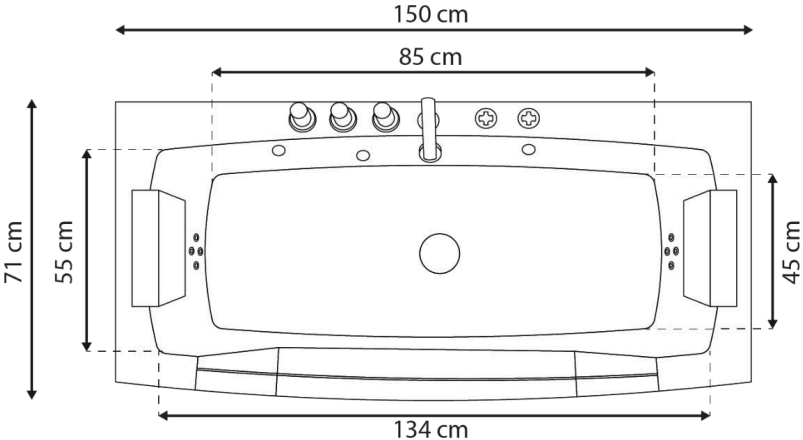
Vattentemperaturen i badkaret bör inte överstiga 40 °C.

MODELL RT1708 1740*790*550mm



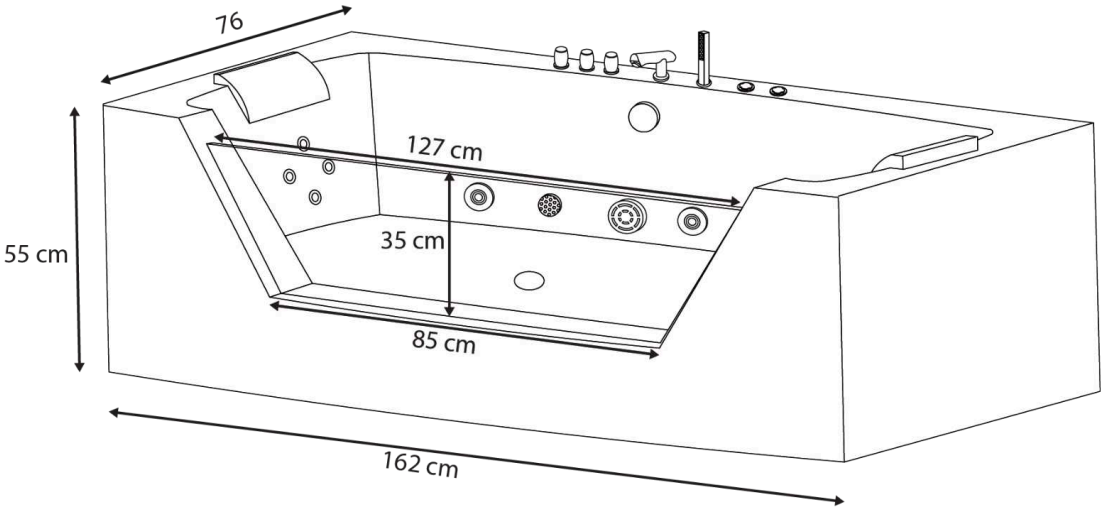
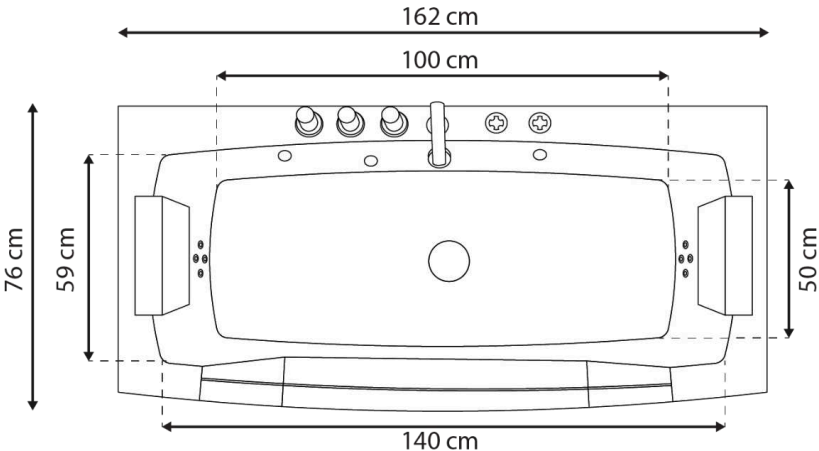
+/- 2 cm

MODELL RT1503 1500*710*550mm



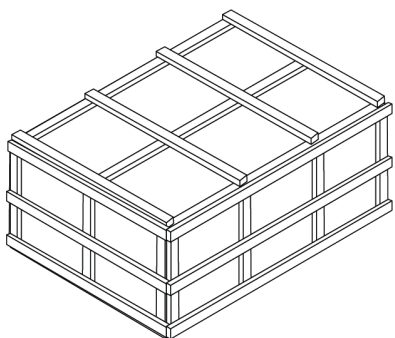
+/- 2 cm

MODELL RT1603 1620*760*550mm

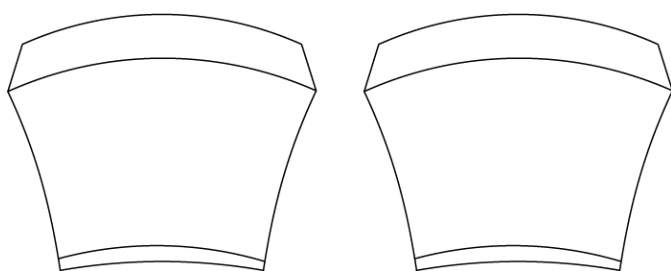


+/- 2 cm

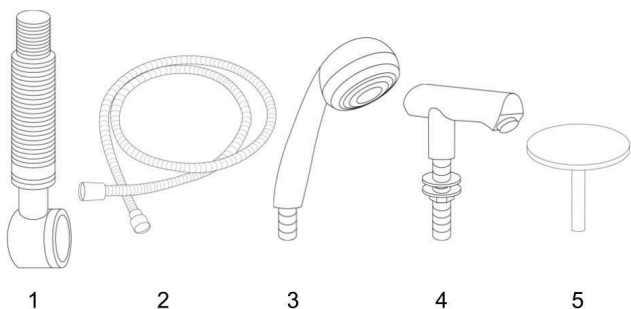
Innehåll i förpackningen



Använd sax för att öppna förpackningen; se till att alla delar finns i förpackningen.

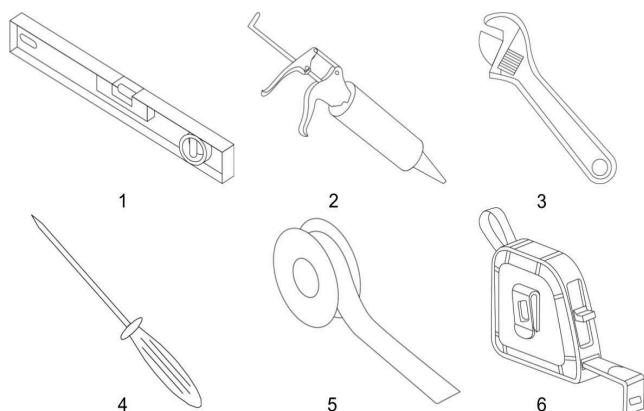


2 x Nackstöd



Tillbehörslåda

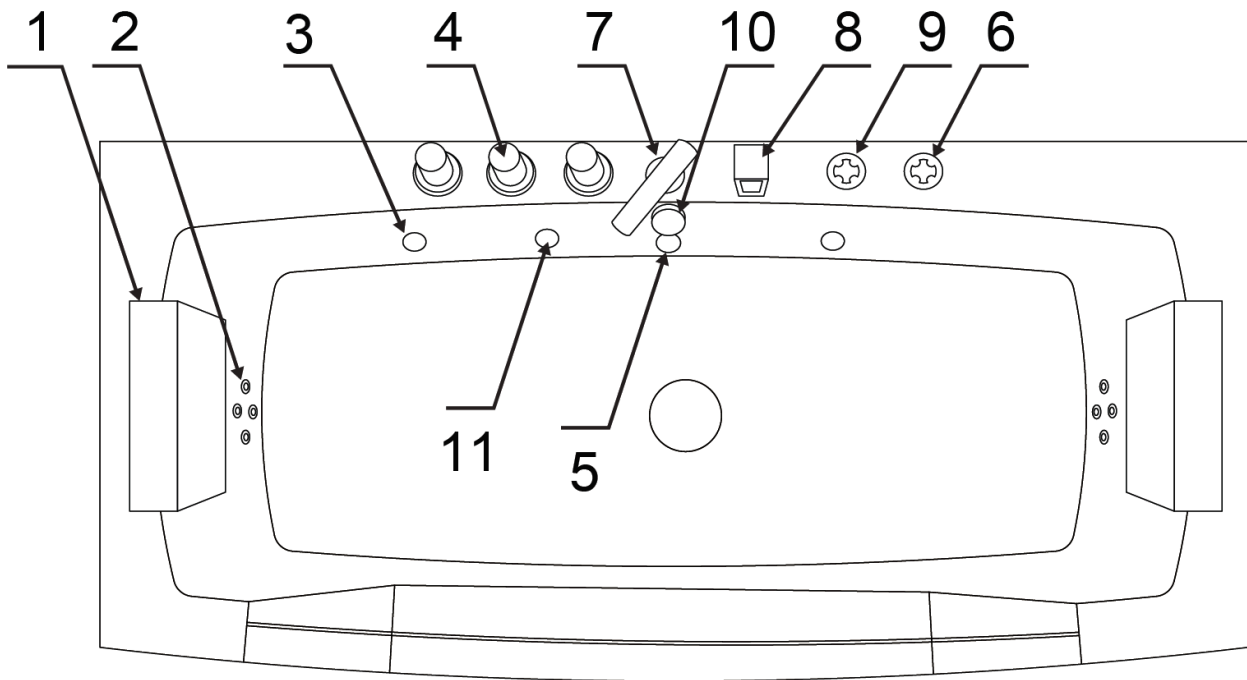
1. 1 x Avlopp
2. 1 x Duschslang
3. 1 x Handdusch
4. 1 x Vattenintag för vattenfall
5. 1 x Propp



Verktyg som behövs för montering

1. Vattenpass
2. Tätningsmedel
3. Justerbar skiftnyckel
4. Skruvmejsel
5. PTFE-gängtejp
6. Måttband

Förberedelse
Montering av badkar

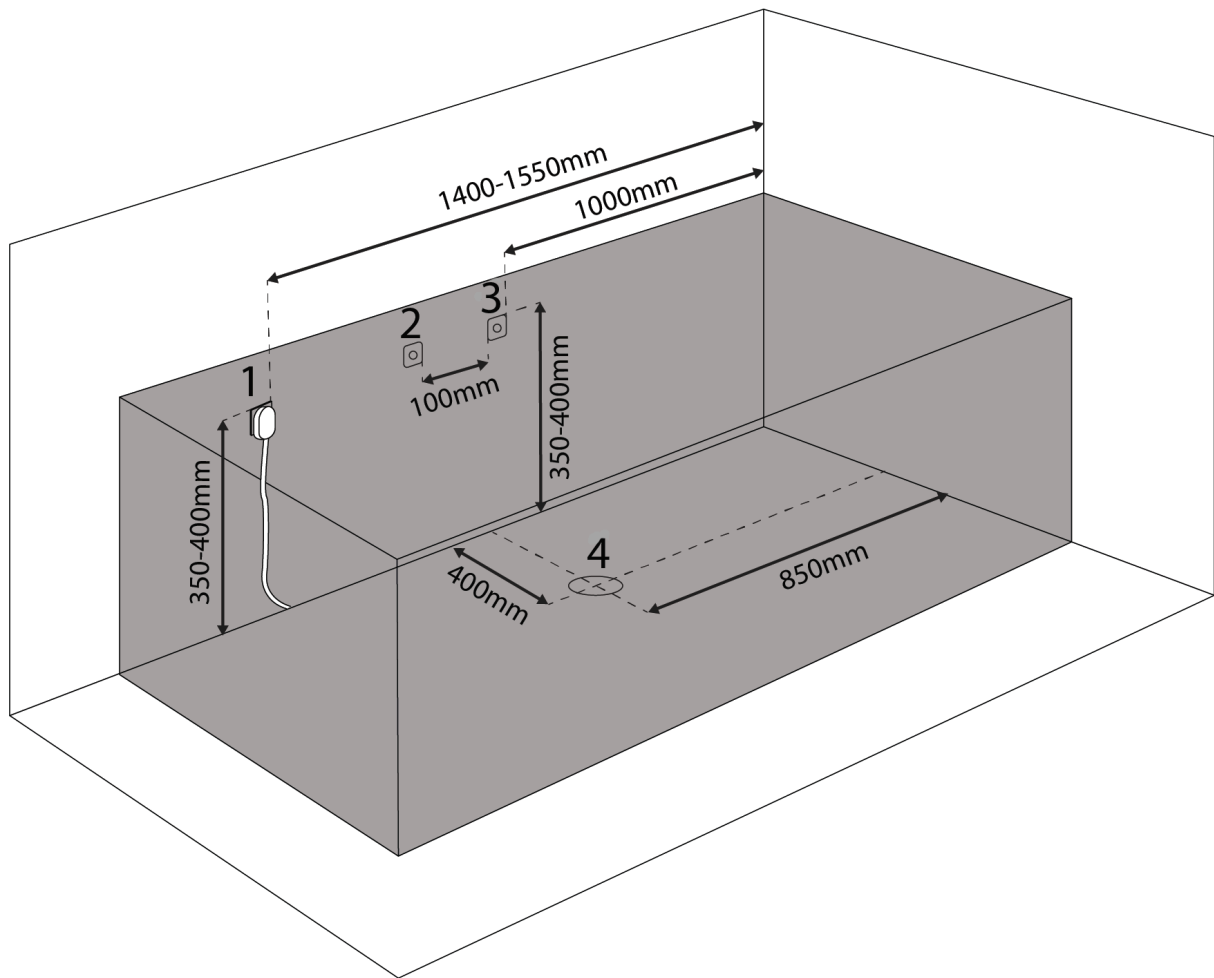


Artikel	Beskrivning	Artikel	Beskrivning
1	Nackstöd	2	Små jetstrålar
3	Stora jetstrålar	4	Kran
5	Sug	6	På/Av-strömknapp
7	Vattenkran	8	Handdusch
9	Regulator	10	Avloppsregulator
11	LED-lampa		

Elektriska parametrar

Nominell spänning	Nominell frekvens	Max. Nominell effekt	Max. Nominell effekt
230 V	50 Hz	2600 W	11.8 A

1. Denna uppgift bör endast utföras av en kvalificerad elektriker. Se till att skydd genom en jordfelsbrytare (30 mA) är installerad.
2. Ett elektriskt läckageskydd måste finnas i strömförsörjningen. Elektriska kablar måste vara säkrade. Storleken på den elektriska kabeln bör inte vara mindre än 2.5 mm². Strömförsörjningsutrustningen måste följa nationella föreskrifter.
3. Varning: Vid användning av elektriska enheter, vidta följande säkerhetsåtgärder.
4. Risker: Risk för elektriska stötar. Anslut kretsar endast när de är skyddade av en jordfelsbrytare (GFCI). Jordfelsbrytare ingår inte, men vi kommer att tillhandahålla all nödvändig information om den. En jordfelsbrytare krävs enligt lag.

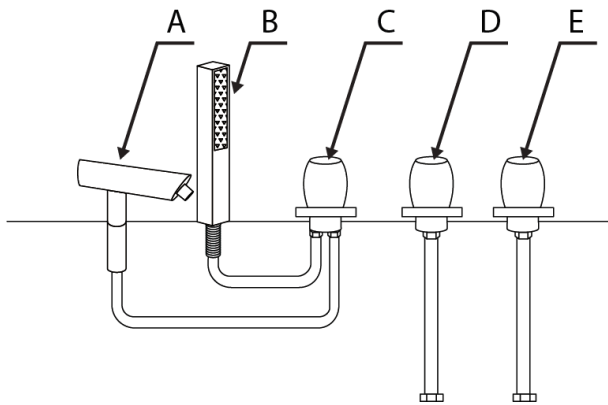


Plan för uttaget

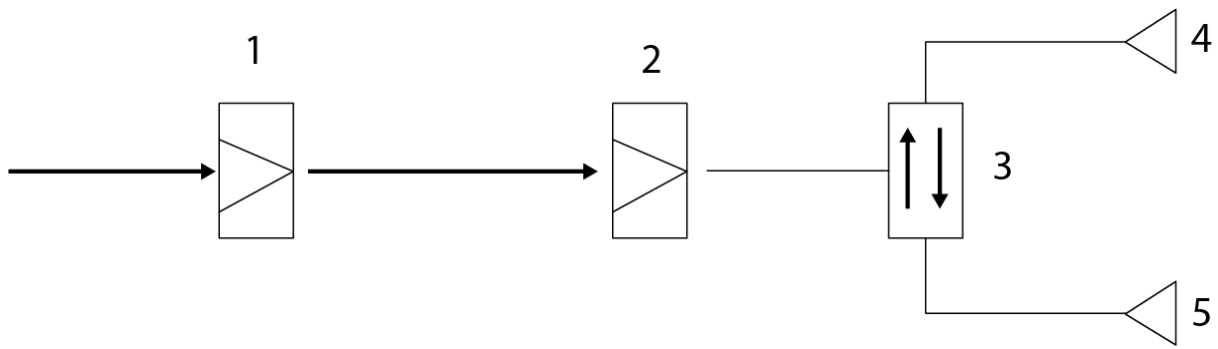
1. Elektriskt uttag
2. Varmvatten
3. Kallvatten
4. Avloppshål

Plan för anslutning

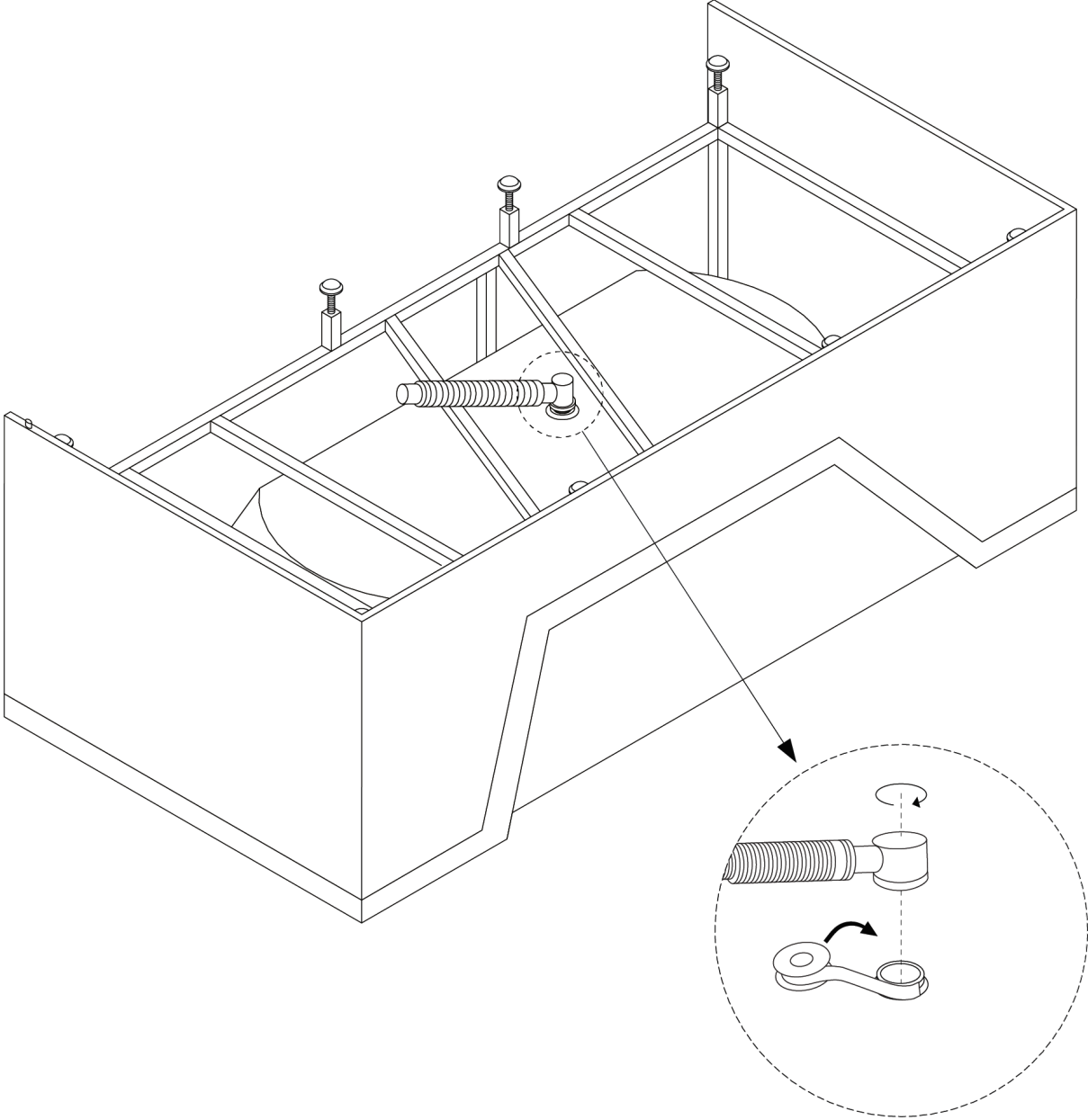
- A. Vattenfallskran
- B. Handdusch
- C. Omväxling mellan handdusch och kran
- D. Varmvatteninlopp
- E. Kallvatteninlopp

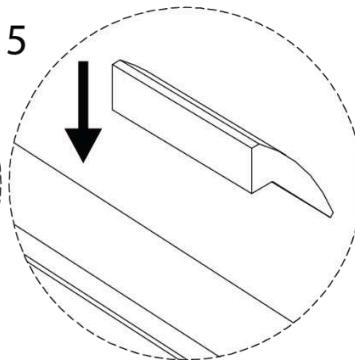
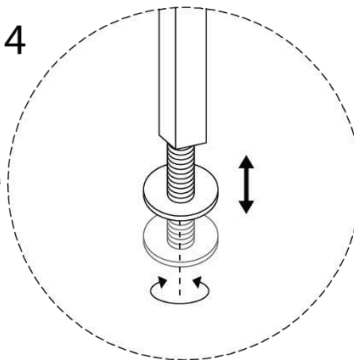
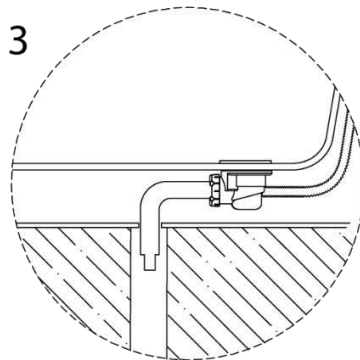
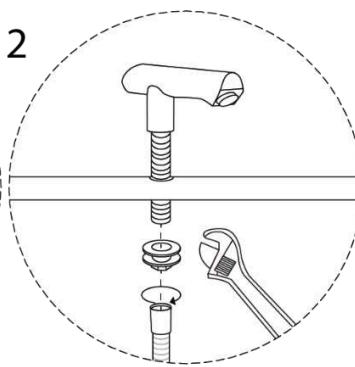
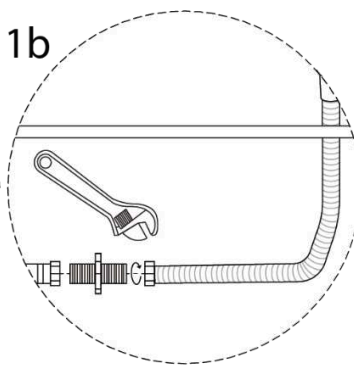
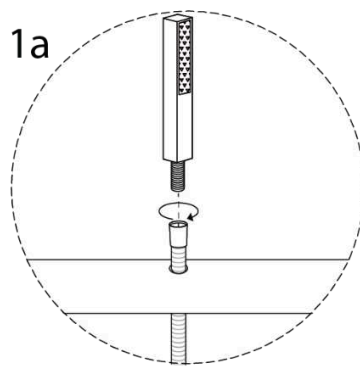
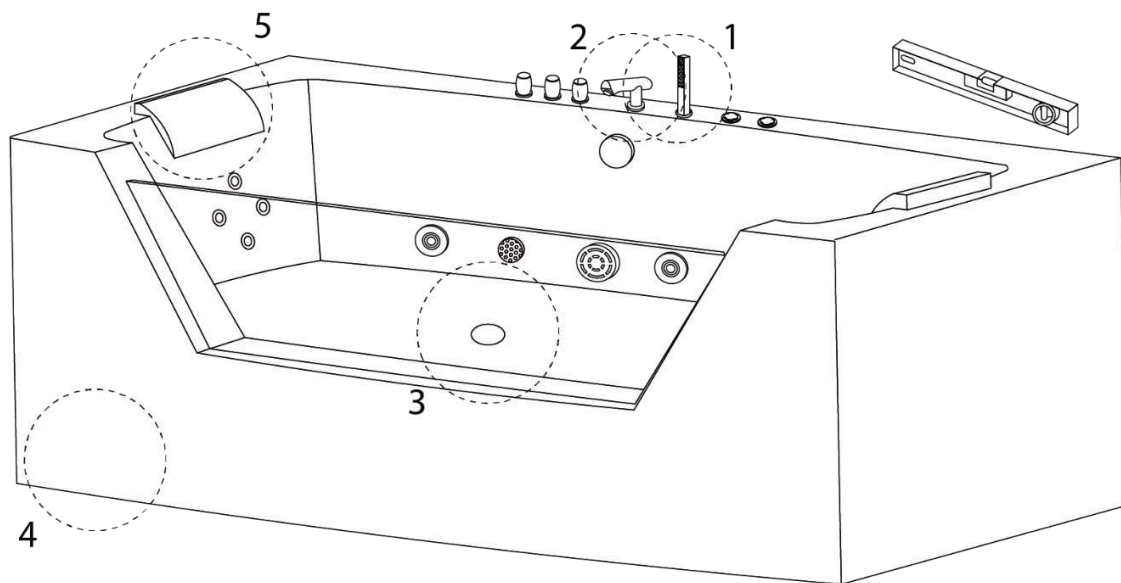


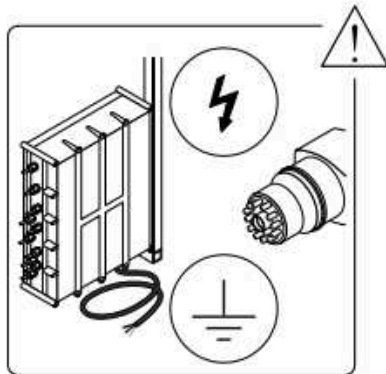
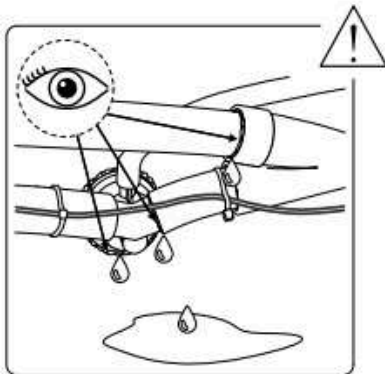
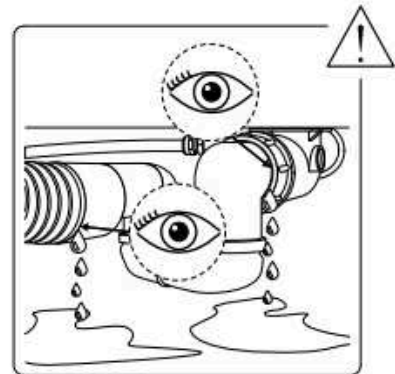
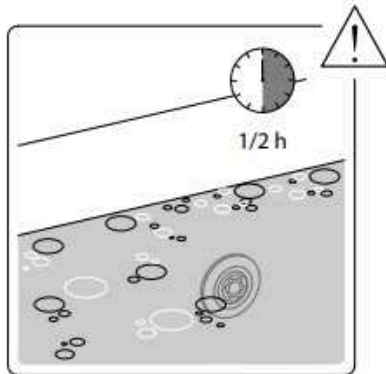
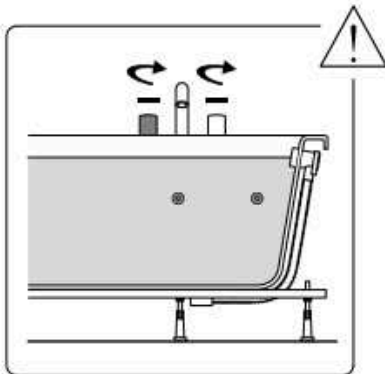
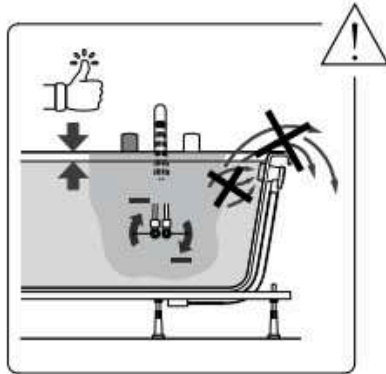
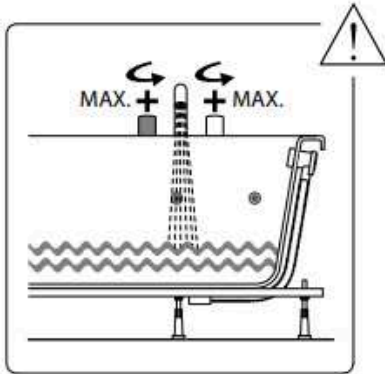
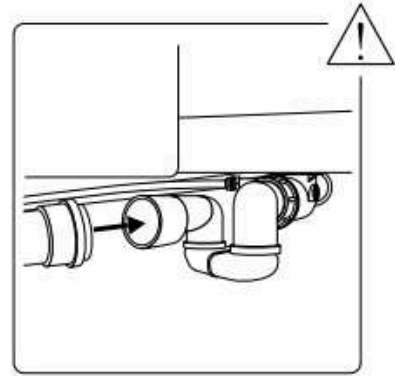
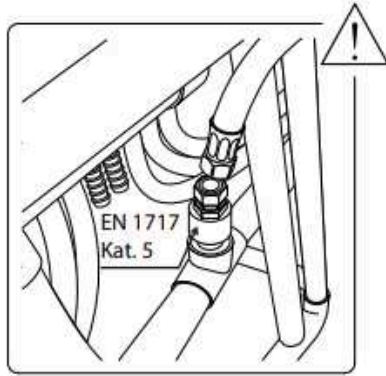
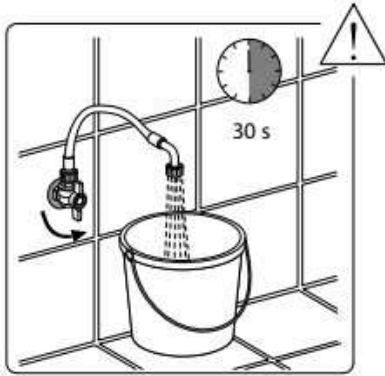
Vattenförsörjning

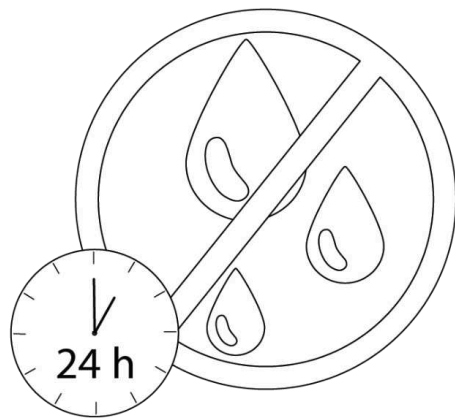
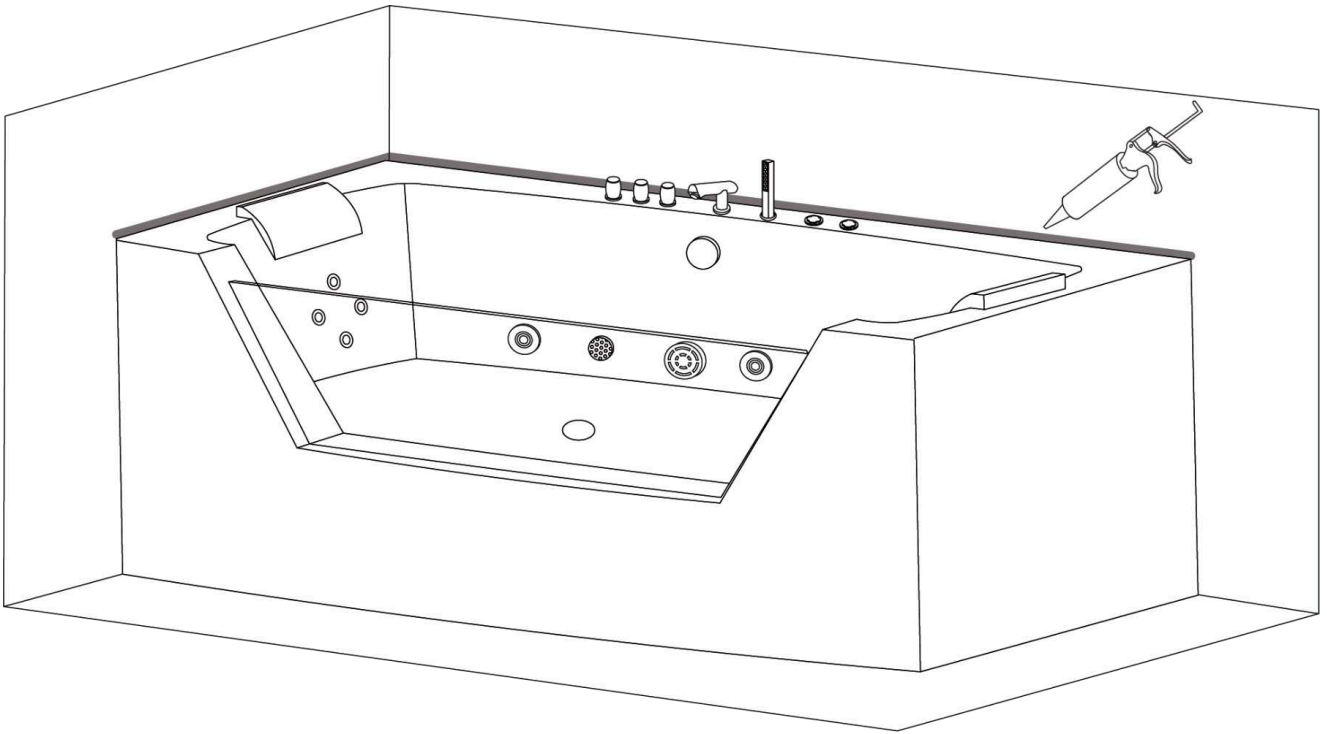


1. Kallt vatten
2. Varmt vatten
3. Omväxling mellan handdusch och kran
4. Handdusch
5. Vattenfallskran









Instruktioner om hur man använder badkaret

1. Slå på strömmen.
2. Slå på kall- och varmvattenberedarna och justera temperaturen.
3. Använd kontrollen för att fylla badkaret med vatten, antingen från kranen eller från handduschen.
4. Aktivera inte vattenpumpen förrän vattennivån når munstyckena.
5. Använd luftregulatorn för att justera massageintensiteten.
6. Vrid handduschen för att justera massageeffekterna.
7. Lampan kommer att tändas och ändra färg automatiskt när du slår på vattenpumpen. Lampan stängs av när du stänger av vattenpumpen.
8. Tryck på luftströmbrytaren för att stänga av pumpen. Töm badet efter användning och stäng av strömmen.

Felsökning

Fel	Möjliga orsaker	Prova detta
Vattenpumpen fungerar inte	Strömkontakten är inte korrekt ansluten; läckageskyddet är inte anslutet	Anslut strömkontakten och koppla läckageskyddet
	Vattenpumpens impeller är blockerad av något litet	Rengör vattenpumpens impeller
	Vattenpumpen är avstängd	Slå på vattenpumpen
	Strömkontakten har inte satts in korrekt	Anslut strömförsörjningen korrekt
	Trasig vattenpump	Reparera eller byt ut vattenpumpen
Massagestrålar startar inte	Spänningsproblem	Kontrollera spänningen
	På/Av-knappen är inte på eller fungerar inte	Kontrollera knappen eller byt ut den
	Vattenflödet är blockerat	Rengör vattenrören
Badkaret är inte plant	De justerbara fötterna är inte korrekt inställda	Justera fötterna
	Bräddavloppet är defekt	Byt ut bräddavloppet

Översvämning	Muttrarna är lösa	Dra åt muttrarna
	Anslutningsdelarna är inte korrekt fästa	Inspektera klistret på anslutningsdelarna

Rengöring

1. Använd en mjuk trasa för rengöring och undvik att använda starka rengöringsmedel som innehåller aceton eller ammoniak. Det är strängt förbjudet att desinficera med myrsyra eller formaldehyd.
2. Om det finns en repa på ytan, använd ett våtslappapper med kornstorlek 2000 för att försiktigt polera den. Polera sedan ytterligare med tandkräm och en mjuk trasa.
3. Kalkavlagringar kan avlägsnas med ättika eller citronsaft.
4. Om vattencirkulationen är blockerad, skruva loss munstyckena och rören och rengör dem.
5. De guld- och silverpläterade delarna behöver inte rengöras ofta.
6. Avstå från att slå i badkaret med hårda föremål. Undvik dessutom direktkontakt mellan badkaret och heta föremål som överstiger 70 °C (t.ex. cigaretter). Rengör inte badkaret med kemiska ämnen som innehåller blekmedel.
7. Tappa ur vattnet och dra ur stickkontakten efter användning.
8. Rengöring av vattenmassagesystemet: Fyll badkaret med 40 °C varmt vatten och tillsätt 2 g rengöringsmedel per liter. Låt massagesystemet vara igång i 5 minuter. Stoppa det därefter och töm ut vattnet. Fyll på badkaret med kallt vatten och aktivera massagesystemet i 3 minuter. Nu kan du tömma ut vattnet igen och massagestrålarna är rengjorda.

Försiktighetsåtgärder

1. Installationen ska utföras av en kvalificerad VVS-installatör. Följ instruktionerna som finns i manualen.
2. Använd lämpliga slangar från lokala källor och anslut dem av en specialist. Under inga omständigheter ska några slangar som tillhandahålls av säljaren användas.
3. Alla slangar måste kontrolleras och tätas av en specialist innan produkten tas i bruk och med jämna mellanrum. Slangar kan lossna under transport eller med tiden.
4. När produkten installeras måste kunden se till att frampanelen alltid är lättillgänglig för underhållsändamål och om delar behöver bytas ut.
5. De elektriska komponenterna måste uppfylla nationella säkerhetsstandarder. Installera en jordfelsbrytare för strömförsörjningen.

6. Kör inte med överhettat vatten, och aktivera endast jetstrålarna när vattennivån är ovanför dem.
7. Enheten drivs med en nominell spänning på 230 V. Koppla ur strömförsörjningen efter användning.
8. Vi rekommenderar att du inte vistas i badkaret längre än 30 minuter.
9. Starta om enheten ibland.
10. Om strömkabeln är skadad måste den omedelbart bytas ut.
11. Läs noggrant igenom användarmanualen för att undvika olyckor och skador.
12. Rengör och underhåll badkaret eller bubbelpoolen regelbundet enligt tillverkarens anvisningar för att förhindra uppbyggnad av smuts och bakterier samt mögeltillväxt.
13. Vid upptäckt av ett fel ansvarar kunden för att avlägsna den defekta delen samt för dess återmontering.

Allmän information om funktion och användning

Töm vattnet efter varje bad. Lämna aldrig barn utan uppsikt i badkaret.

Skötselanvisningar för bubbelpoolen

Ytan är lätt att rengöra och underhålla. Den släta ytan lockar knappt till sig smuts. För regelbunden underhåll använd en svamp, mjuk trasa och något antistatiskt rengöringsmedel. På detta sätt behåller badkaret sin glans och blir smutsavstötande. Undvik användning av slipande eller lösningsmedelsbaserade rengöringsmedel som kan skada badkarets yta. För envis smuts, använd ett flytande hushållsrengöringsmedel som diskmedel eller tvållösning (följ anvisningarna för utspädning). Ta bort kalkavlagringar med en kalkborttagningsmedel. Skölj alltid noggrant med rikligt med klart vatten och polera med en trasa. Använd inte sura rengöringsmedel eller ättiksbaserade rengöringsmedel.

Skador

Repade ytor bör hanteras av en specialist. Behandla med en poleringspasta utan lösningsmedel. Om det behövs, kan ytan först behandlas med våtslip med kornstorlek 800, följt av kornstorlek 1200, innan polering. Använd inte alkohol- eller acetonbaserade lösningsmedel. Skador som uppstår på grund av felaktig hantering av användaren täcks inte av vår garanti.



Varning! När ytan är våt ökar risken för att halka. Detta gäller särskilt vid användning av tvålar, schampon, badoljor etc.

Med förbehåll för ändringar

Beliani förbehåller sig rätten att göra ändringar eller modifieringar av produkten utan föregående meddelande.

Importör:

Beliani GmbH, Haldenstrasse 5, 6340 Baar, Schweiz

Prestandadeklaration

1. Unik identifierare för produkttyp: produktnummer längst ner på sidan
2. Avsett användningsområde: Bubbelbadkar för hushållsbruk för personlig hygien (PH)
3. Importör:
Beliani GmbH
Haldenstrasse 5
6340 Baar
Schweiz
Telefonnummer +41 43 5082233
4. Behörig företrädare: %
5. System för bedömning och kontroll av prestanda: System 4
 - a. Harmoniserad standard: EN 12764:2015
Anmält organ: %
 - b. Europeiskt bedömningsdokument: %
Europeisk teknisk bedömning: %
Tekniskt bedömningsorgan: %
Anmält organ: %
6. Deklarerade prestanda:
Väsentliga egenskaper Prestanda Harmoniserad teknisk specifikation
Säkerhet mot
Hårtrassel (HE) Godkänd EN 12764:2004+A1:2008
Rengörbarhet (CA) Godkänd EN 12764:2004+A1:2008
Hållbarhet (DA) Godkänd EN 12764:2004+A1:2008
7. Lämplig teknisk dokumentation eller specifik teknisk dokumentation:
Rapport nr: 50074404 001 TÜV Rheinland

Prestandan för ovanstående produkt motsvarar deklarerade prestanda. Den importör som anges ovan är ensam ansvarig för att upprätta prestandadeklarationen i enlighet med förordning (EU) nr 305/2011.

Bilaga

Artikelnummer	Artikelnamn	Effekt
1213 MONTEGO	Badkar med massagefunktion	HE + CA + DA
1218 SAMANA	Badkar med massagefunktion	HE + CA + DA
1219 MARTINICA	Badkar med massagefunktion	HE + CA + DA
15497 TOCOA	Badkar med massagefunktion	HE + CA + DA
13720 SALAMANCA	Badkar med massagefunktion	HE + CA + DA
14894 MONTEGO	Badkar med massagefunktion	HE + CA + DA
1216 PARADISO	Badkar med massagefunktion	HE + CA + DA
1217 PARADISO	Badkar med massagefunktion	HE + CA + DA
1223 VARADERO	Badkar med massagefunktion	HE + CA + DA
14892 PARADISO	Badkar med massagefunktion	HE + CA + DA

Undertecknat för importören och på tillverkarens vägnar av:
Michael Widmer, verkställande direktör



6340 Baar, 13.05.2020

Slovenčina (SK)

Návod na montáž vane

Výrobca a dovozca:

Beliani GmbH, Haldenstrasse 5, 6340 Baar, Švajčiarsko



Návod na použitie

Pred inštaláciou si pozorne prečítajte tento návod na použitie.

Kontrola tovaru pri dodaní

Po prijatí skontrolujte úplnosť výrobku a jeho prípadné poškodenia. Ak je zjavné akékoľvek poškodenie, okamžite informujte predajcu. Za škody vzniknuté počas alebo po inštalácii nenesieme zodpovednosť.

Zdvíhanie/premiestňovanie vane

Ak chcete vaňu zdvihnúť alebo premiestniť, uchopte ju za okraje – nikdy nie za hadice alebo inštalračné diely.

Uloženie potrubia

Potrubie nesmie byť umiestnené pod vaňou.

Ochrana pred poškodením

Používajte vhodné ochranné kryty, aby ste zabránili poškodeniu povrchov a zablokovaniu spôsobenému nečistotami alebo prachom počas montáže. Pred začiatkom inštalácie dočasne zakryte citlivé komponenty, ako sú odtoky, trysky a ovládací panel, ochrannými krytmi.

Osobitné bezpečnostné opatrenia

Pri čistení dlaždíc dbajte na to, aby sa amoniak alebo podobné agresívne čistiace prostriedky nedostali do kontaktu so zabudovanými komponentmi.

Elektrické pripojenie (230 V)

Túto úlohu by mal vykonávať len kvalifikovaný elektrikár. Uistite sa, že je zabezpečená ochrana prostredníctvom prúdového chrániča (30 mA).

Bezpečnostné predpisy

Počas inštalácie vane je potrebné zvážiť niekoľko jednoduchých krokov, ktoré zabránia prípadným nehodám. Inštaláciu by mali vykonávať iba kvalifikovaní odborníci. Vaňa musí byť pripojená na napätie 230 V AC pri 50 Hz. Zariadenie musí byť napájané cez prúdový chránič s menovitým reziduálnym prúdom nepresahujúcim 30 mA. Okrem toho musí byť elektrická inštalácia vybavená ističom, ktorý zabezpečí odpojenie všetkých pólov od elektrickej siete.

Medzi kovovými prvkami vane sa musí vytvoriť spojenie na vyrovnanie napätia podľa príslušných predpisov každej krajiny. Časti s prvkami pod napätím, s výnimkou tých, ktoré pracujú s ochranným, veľmi nízkym napätím nepresahujúcim 12 V, musia byť pre osobu vo vani neprístupné. Elektrické komponenty musia byť umiestnené alebo zabezpečené tak, aby sa zabránilo ich pádu do vane.



Pripojenie vody na vodnú masáž alebo prepad

Akonáhle sa prívod vody nachádza pod okrajom vane, musí sa vytvoriť spojenie s bezpečnostným zariadením v súlade s normou EN 1717 (Kategória tekutín 5). To môže zahŕňať napríklad použitie bezpečnostného zariadenia jednosmerného prúdu (napr. prerušovača potrubia typu 1 s trvalým pripojením k atmosfére) na základe konkrétnych inštalčných požiadaviek. Toto pripojenie musí vykonať výlučne kvalifikovaný odborník. Tieto pokyny sa vzťahujú na nasledujúce situácie:

- A. Všetky vane, ktoré sa plnia cez prepad.
- B. Všetky vane, ktoré sú pripojené a plnené cez trysky vodnej masáže v existujúcej T spojke.

V oboch prípadoch sa pripojenie musí vykonať pomocou zosilnených ohybných trubíc, ktoré sú schopné prevádzať vopred zmiešanú teplú a studenú vodu.

Prietoková rýchlosť: Maximálne 20 litrov/min (EN 200)

Kapacita prepadu: Minimálne 36 litrov/min (EN 274)

Kapacita odtoku: Minimálne 48 litrov/min (EN 274)

Trvalá inštalácia

Údržbové poklopy by mali mať rozmery aspoň 50 x 50 cm, aby sa zabezpečila dostupnosť k technickým komponentom, ako sú čerpadlo, dúchadlo, ventily, prípojková skrinka a iné pripojenia. Prednostne použite odnímateľné bočné panely, ale vždy uprednostnite pevné prvky.

Okrem toho sa odporúča nainštalovať údržbové poklopy s rozmermi 20 x 20 cm na odtok/prepad a zabezpečiť správnu zvukovú izoláciu počas inštalácie.

Pre správne vetranie je nevyhnutné nainštalovať vetraciu mriežku (nie je dodávaná). V závislosti od modelu vane umiestnite vetraciu mriežku do steny v blízkosti jednotiek. Vo vnútri údržbového poklopu je možné namontovať vetraciu mriežku (minimálne 150 cm), na prívod vzduchu k dúchadlu. Prípadne zvážte umiestnenie údržbového poklopu/vetracej mriežky do vedľajšej miestnosti.

Pre optimalizáciu zvukovej izolácie nainštalujte vetraciu mriežku s použitím zvukovoizolačných materiálov. Ak je to vhodné, vetraciu mriežku možno umiestniť aj do vedľajšej miestnosti.

V prípade obmedzeného priestoru: Ak nemáte dostatok miesta na údržbový poklop, odporúčame „povrchovú montáž“, ktorá v prípade potreby umožní úplnú demontáž vane. Zabezpečte, aby sa cez vetrací otvor dalo odpojiť odtokové potrubie, elektrické prípojky a prípadne aj prívod vody. Celý obvod okraja vane utesnite silikónom (bez obsahu kyseliny octovej).

Vaňa by mala byť umiestnená na povrchu, ktorý udržiava vodu (napr. dlaždice), s miernym spádom smerom von, aby sa v prípade možného úniku alebo prepadu vody dostala von pod okraj a nehromadila sa pod vaňou. Záruka sa nevzťahuje na škody spôsobené vodou v dôsledku zlej inštalácie. Neodporúča sa úplne obložiť vírivú vaňu dlaždicami. Vodné čerpadlo, vzduchové čerpadlo a ozónová dezinfekcia si vyžadujú cirkuláciu vzduchu.

Počas používania by sa voda nemala nalievať priamo do držiaka sprchy. Záruka sa nevzťahuje na škody spôsobené vodou v dôsledku nesprávneho používania.

Vnútorne komponenty vane musia byť ľahko prístupné, inak sa záruka nevzťahuje na prístup k vnútorným komponentom v prípade poruchy.

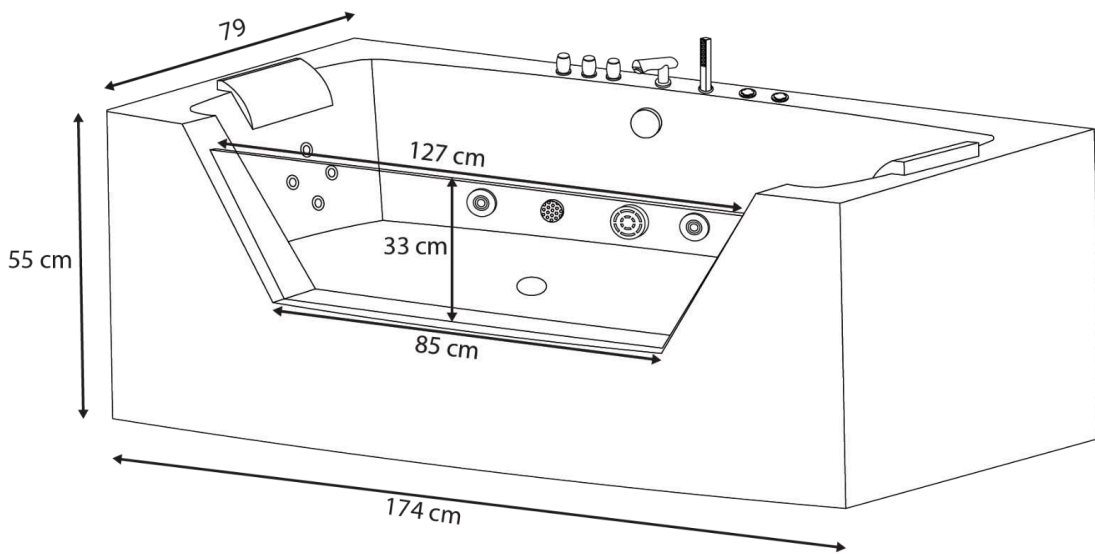
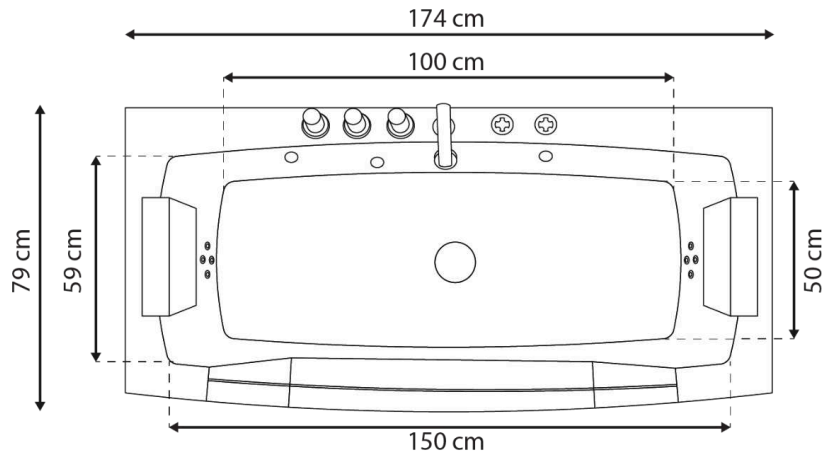
Kontrola tesnenia

Po pripojení prívodu a odtoku vody z vane je potrebné vaňu napustiť a skontrolovať, či netečie. Pomocou ovládacieho panela skontrolujte nasledujúce funkcie:

- A. Vzduchový systém
- B. Nastavenia vodného čerpadla

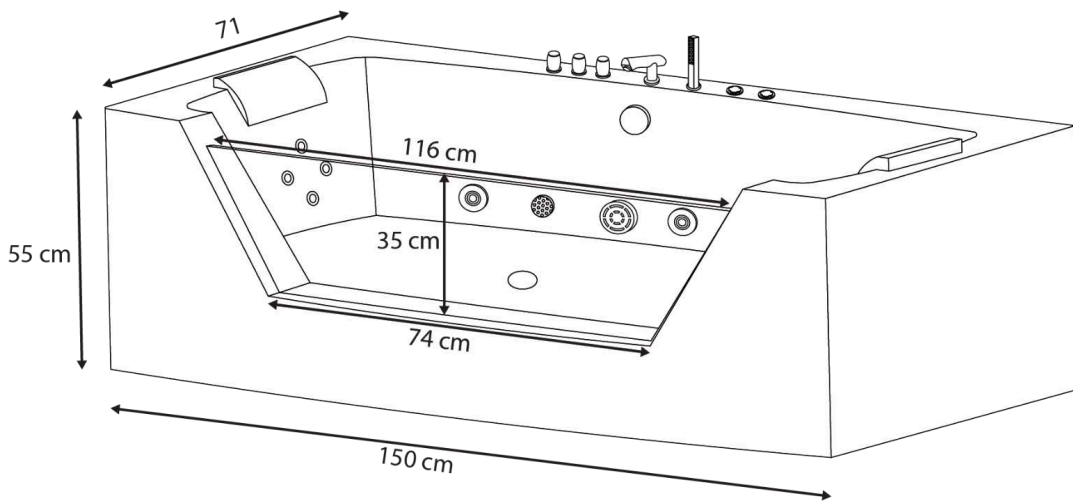
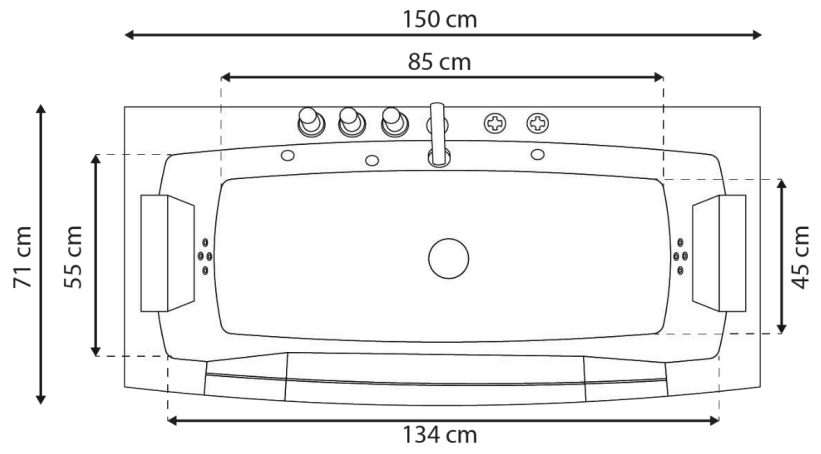
Teplota vody vo vani by nemala presiahnuť 40 °C.

1740*790*550 mm



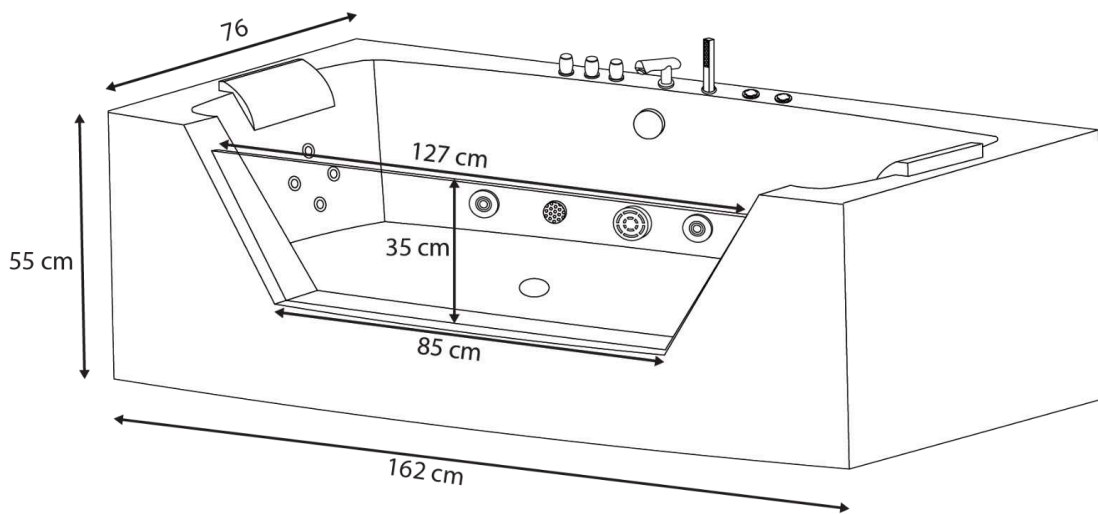
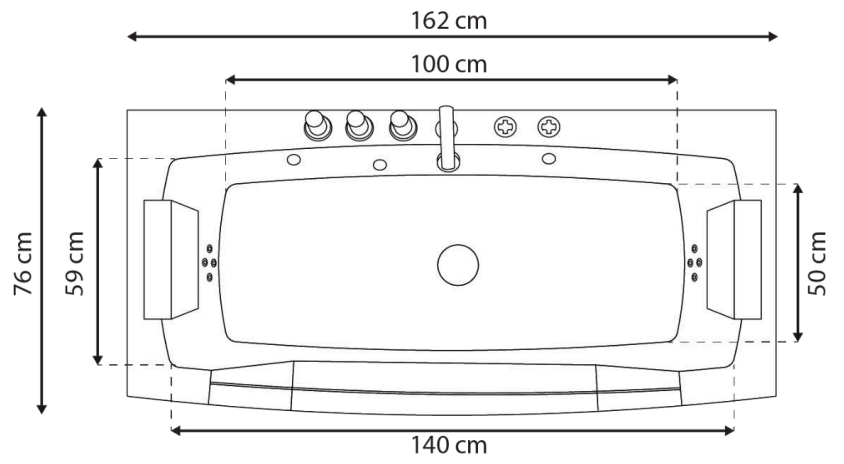
+/- 2 cm

1500*710*550 mm



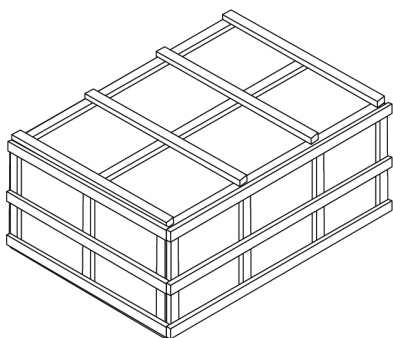
+/- 2 cm

1620*760*550 mm

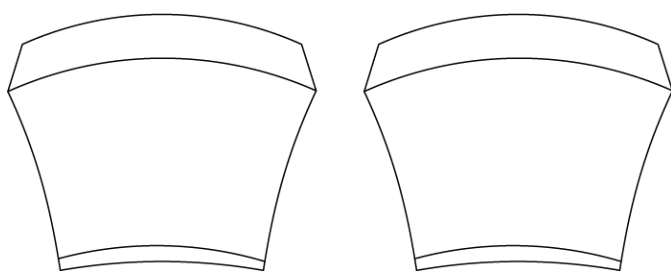


+/- 2 cm

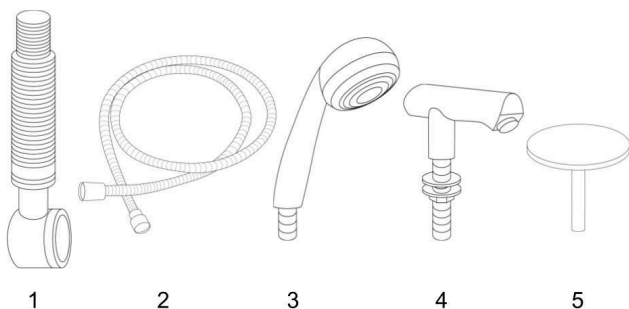
Obsah balenia



Na otvorenie balenia použite nožnice.
Uistite sa, že sú všetky diely v balení.

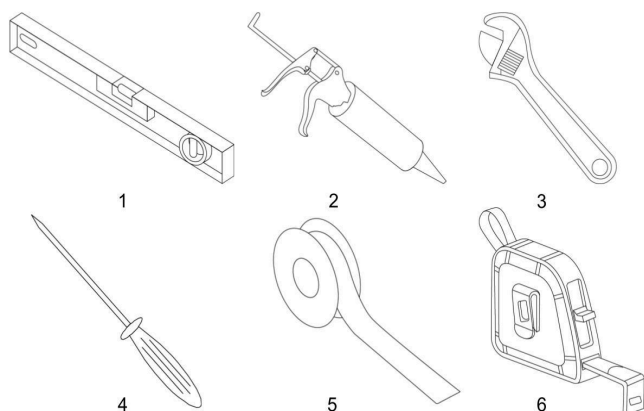


2 x opierka hlavy



Príslušenstvo v balení

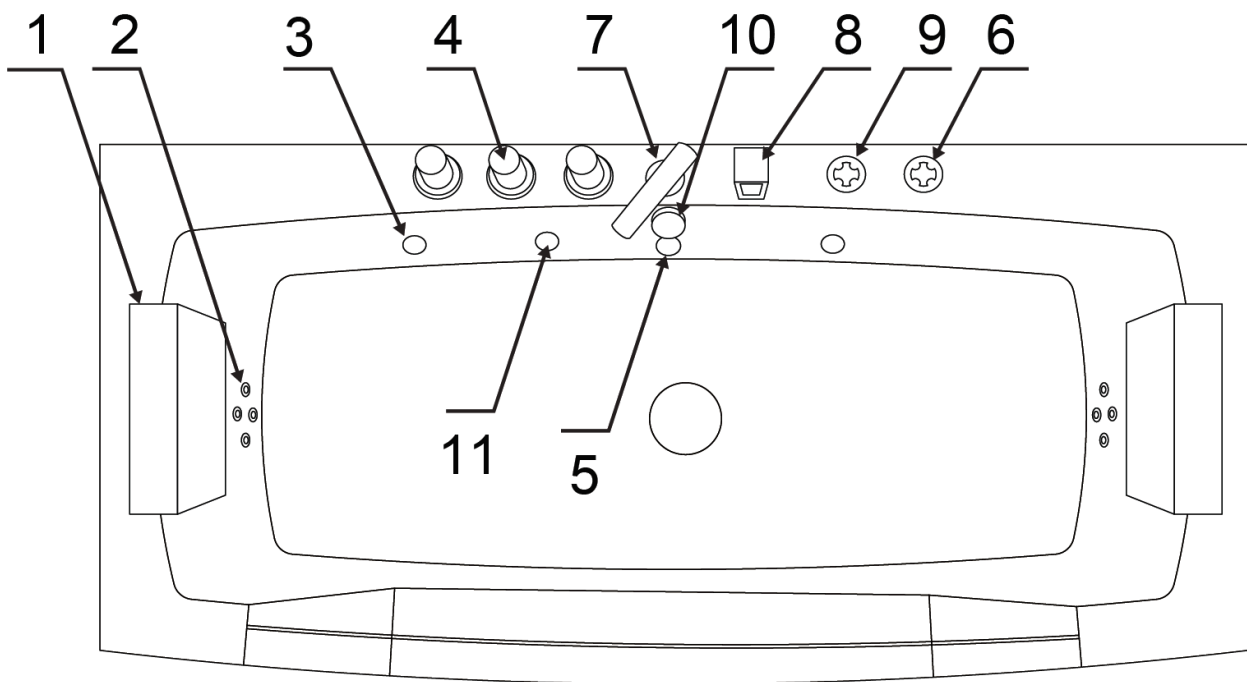
1. 1x odtok
2. 1x hadica ručnej sprchy
3. 1x ručná sprcha
4. 1x kohútik
5. 1x kryt odtoku



Nástroje potrebné na montáž

1. Vodováha
2. Tesniaca hmota
3. Nastaviteľný kľúč
4. Skrutkovač
5. Tesniaca páska PTFE
6. Meter

**Príprava
Konštrukcia vane**

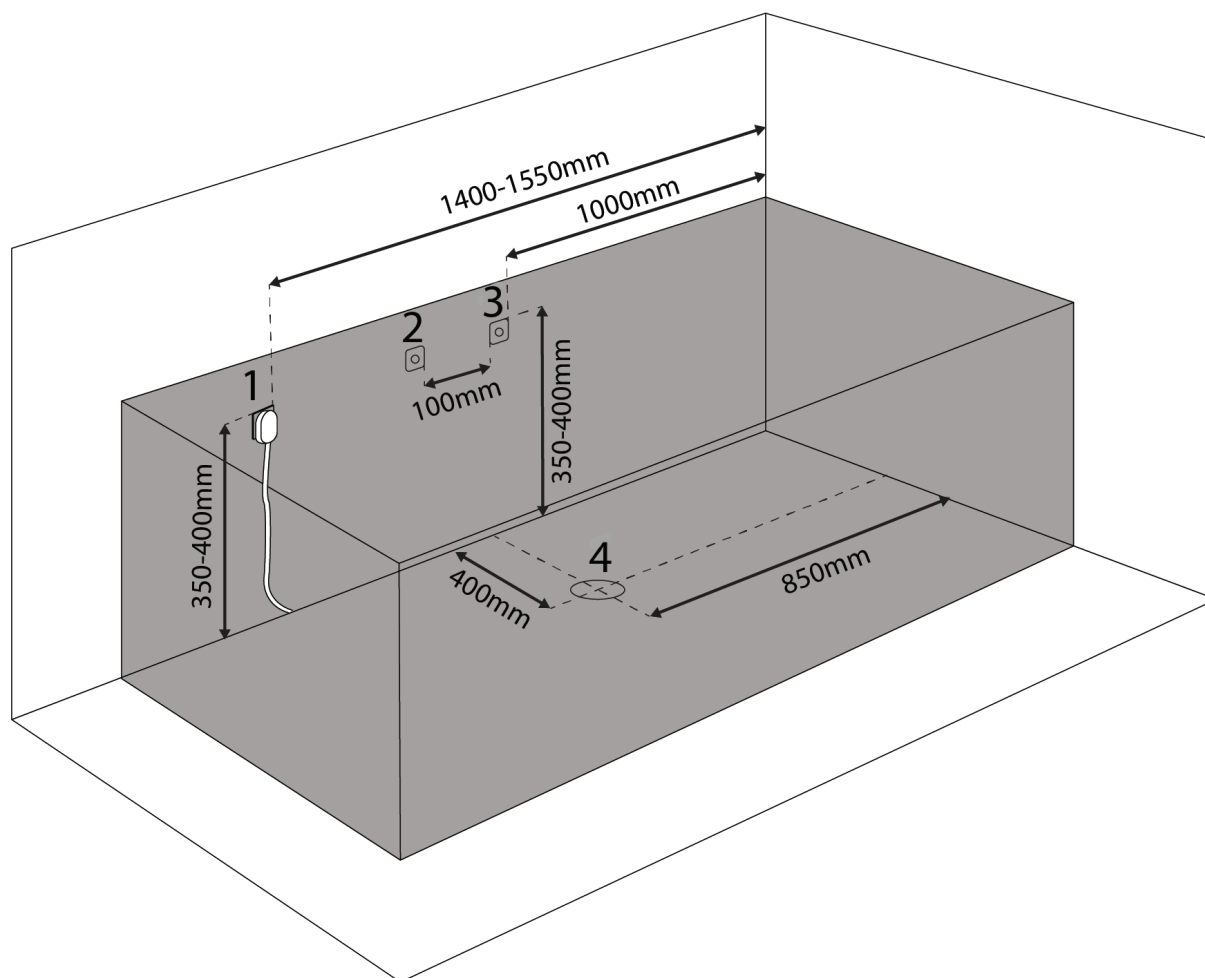


Položka	Popis	Položka	Popis
1	Opierka hlavy	2	Malé trysky
3	Veľké trysky	4	Kohútik
5	Odsávanie	6	Tlačidlo zapnutia/vypnutia
7	Vodovodný kohútik	8	Ručná sprcha
9	Regulátor	10	Regulátor odtoku
11	Podvodné svetlo		

Elektrické parametre

Nominálne napätie	Nominálna frekvencia	Maximálny menovitý výkon	Maximálny menovitý výkon
230 V	50 Hz	2600 W	11.8 A

1. Úkony musí vykonávať iba kvalifikovaný elektrikár. Zabezpečte ochranu pomocou prúdového chrániča (30 mA).
2. V zdroji napájania musí byť prítomná ochrana proti úniku elektrického prúdu. Elektrické káble musia byť zabezpečené. Veľkosť elektrického kábla by nemala byť menšia ako 2,5 mm². Zariadenie zdroja napájania musí byť v súlade s vnútroštátnymi predpismi.
3. Varovanie: Pri používaní elektrických zariadení dodržiavajte nasledujúce bezpečnostné opatrenia.
4. Riziká: Nebezpečenstvo úrazu elektrickým prúdom. Pripájajte obvody iba vtedy, ak sú chránené prúdovým chráničom GFCI (Ground Fault Circuit Interrupter – prerušovač zemného obvodu). GFCI nie je súčasťou balenia, ale poskytneme vám všetky potrebné informácie o jeho používaní. Použitie GFCI je podľa zákona povinné.

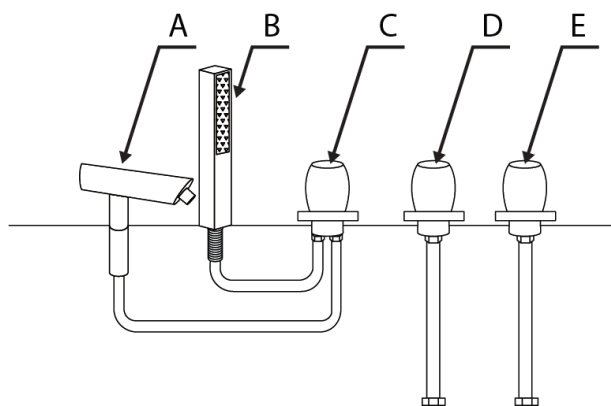


Plán inštalácie

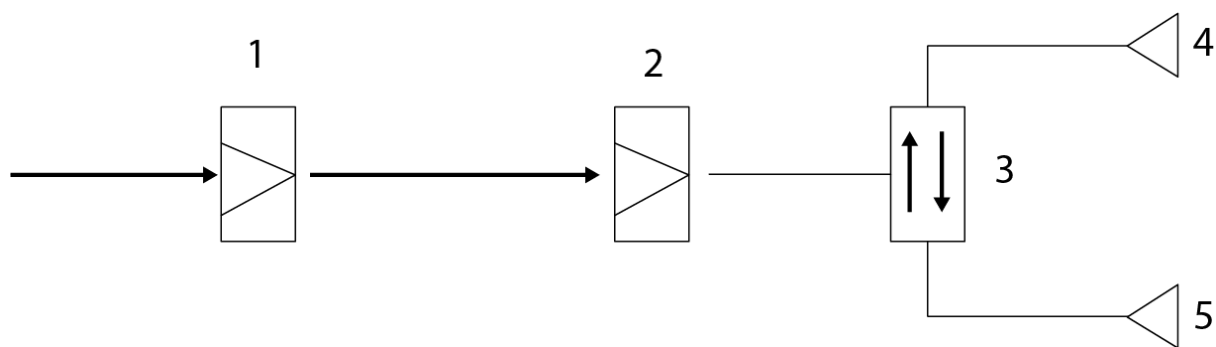
1. Elektrická zásuvka
2. Teplá voda
3. Studená voda
4. Odtokový otvor

Plán pripojenia

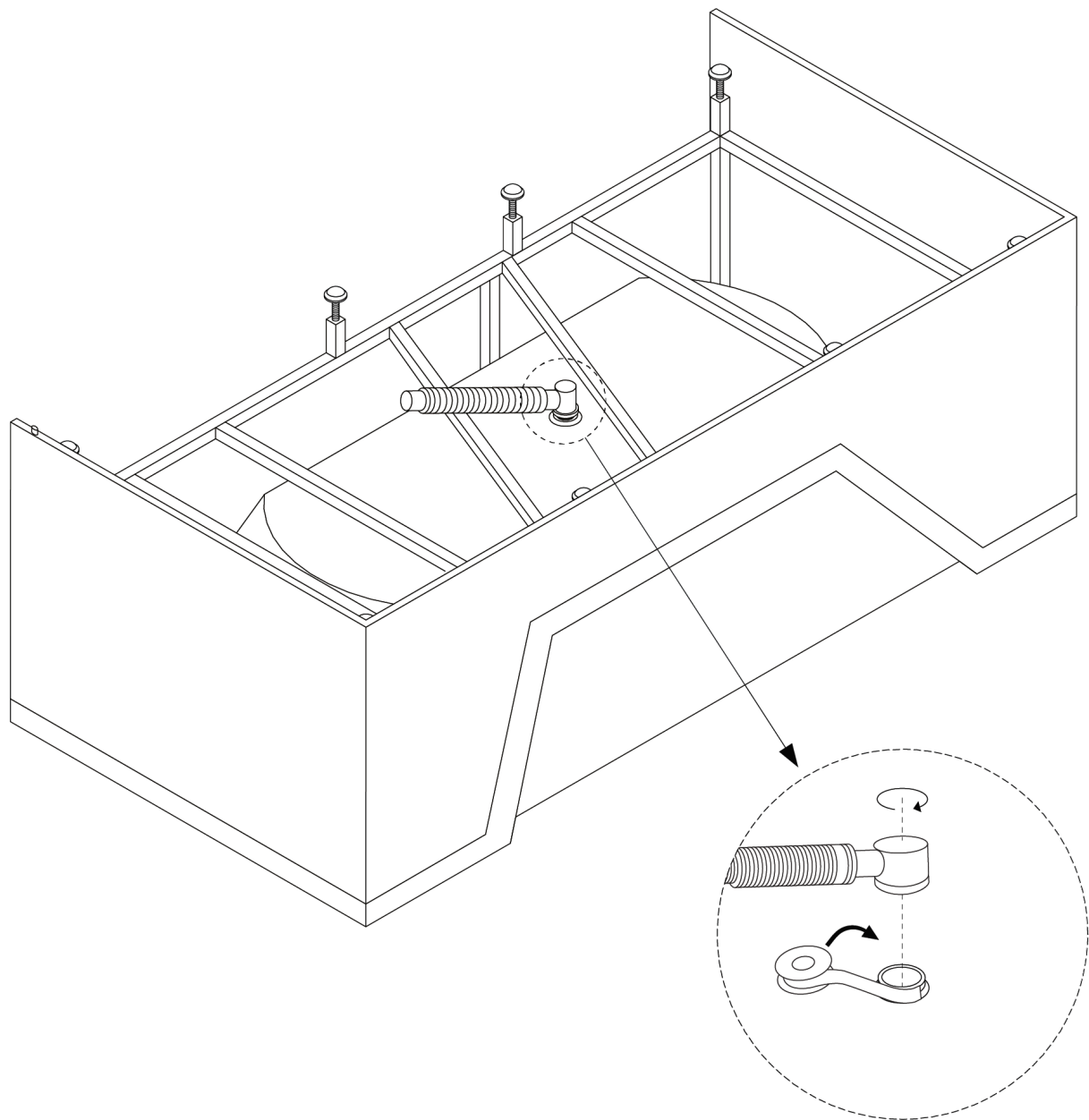
1. Vodovodný kohútik
2. Ručná sprcha
3. Prepínanie medzi ručnou sprchou a kohútikom
4. Prívod teplej vody
5. Prívod studenej vody

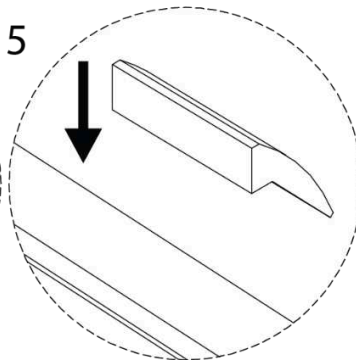
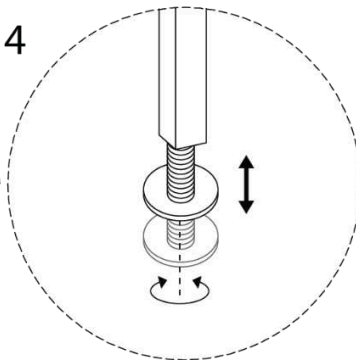
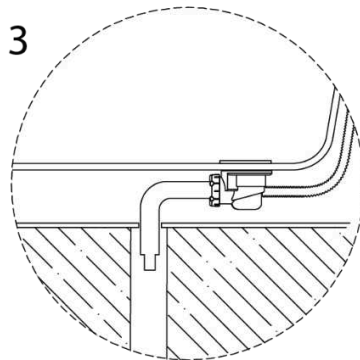
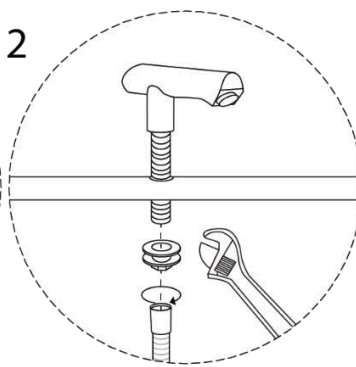
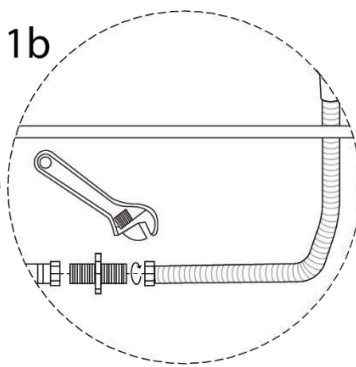
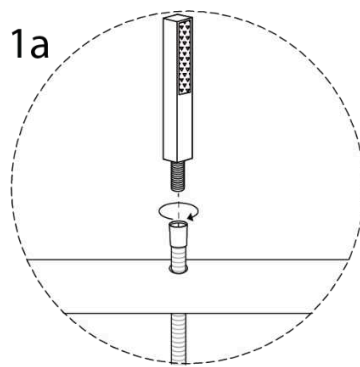
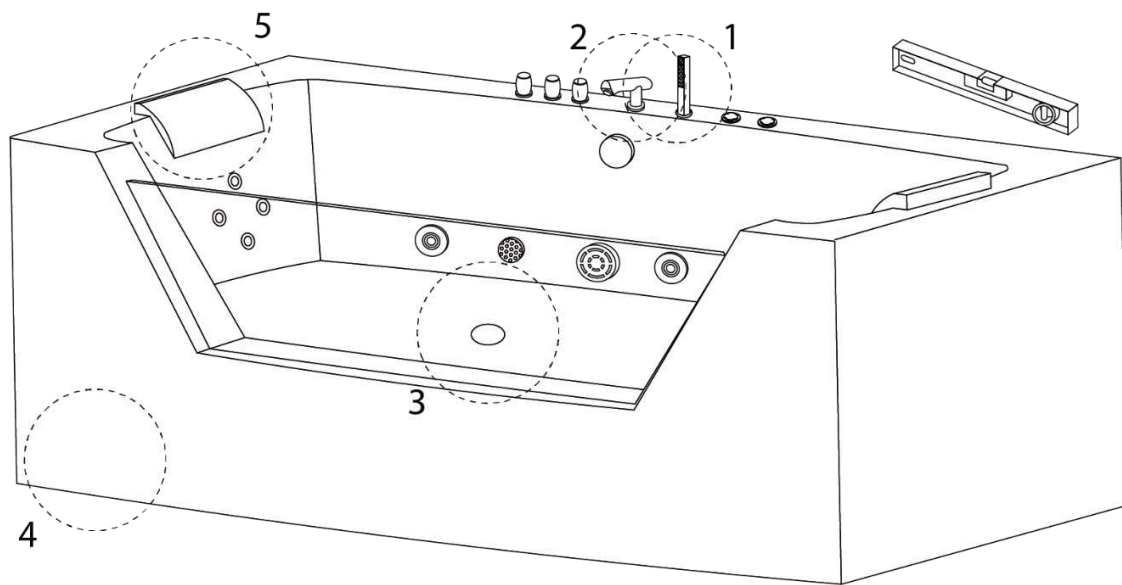


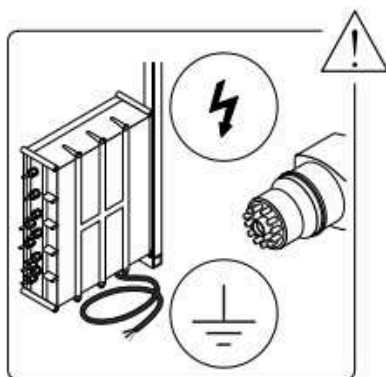
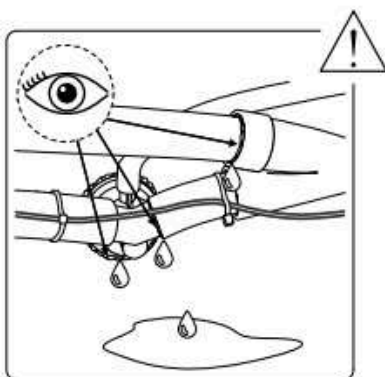
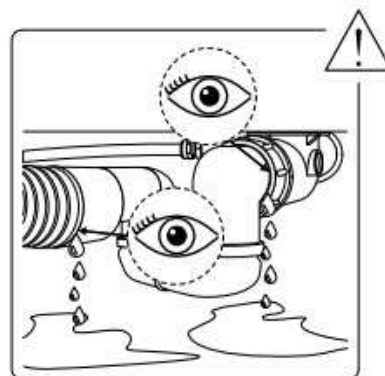
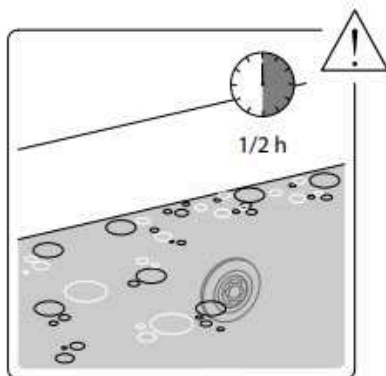
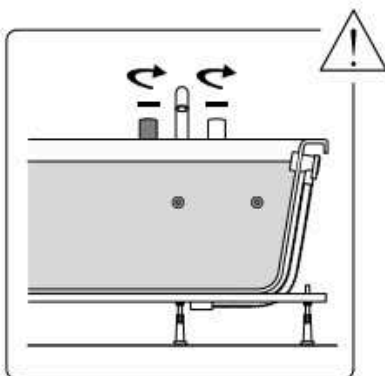
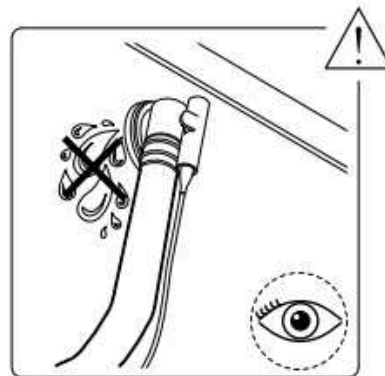
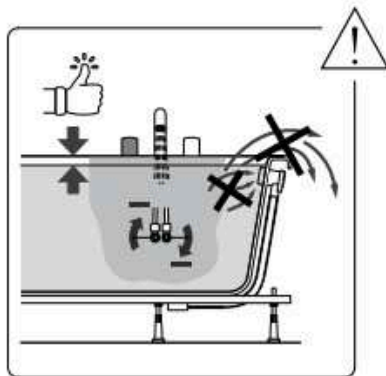
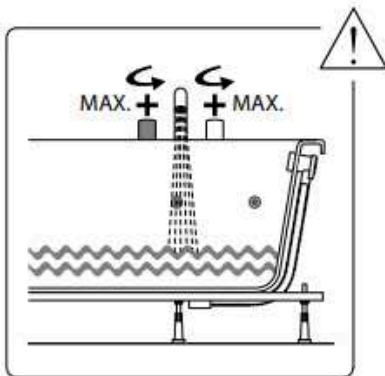
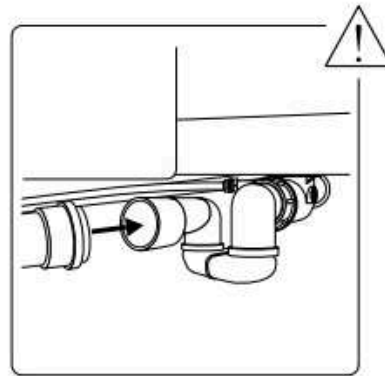
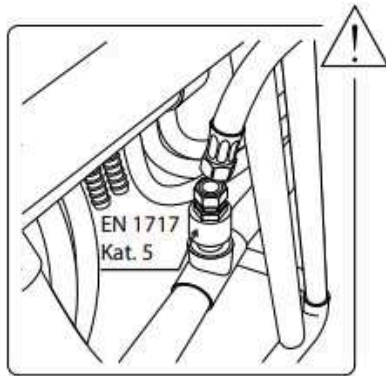
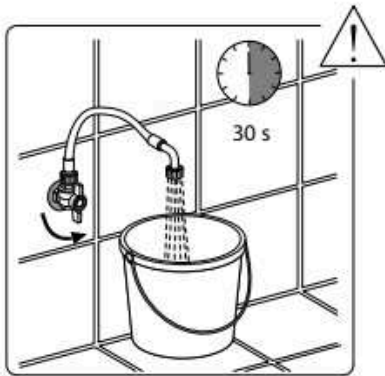
Prívod vody

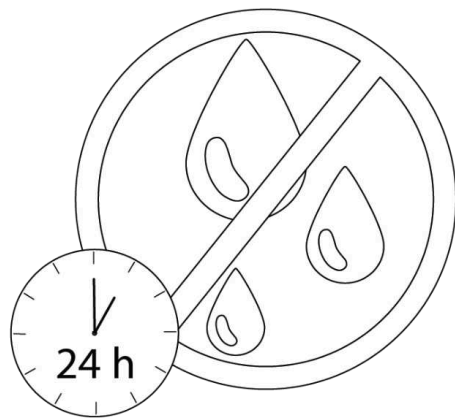
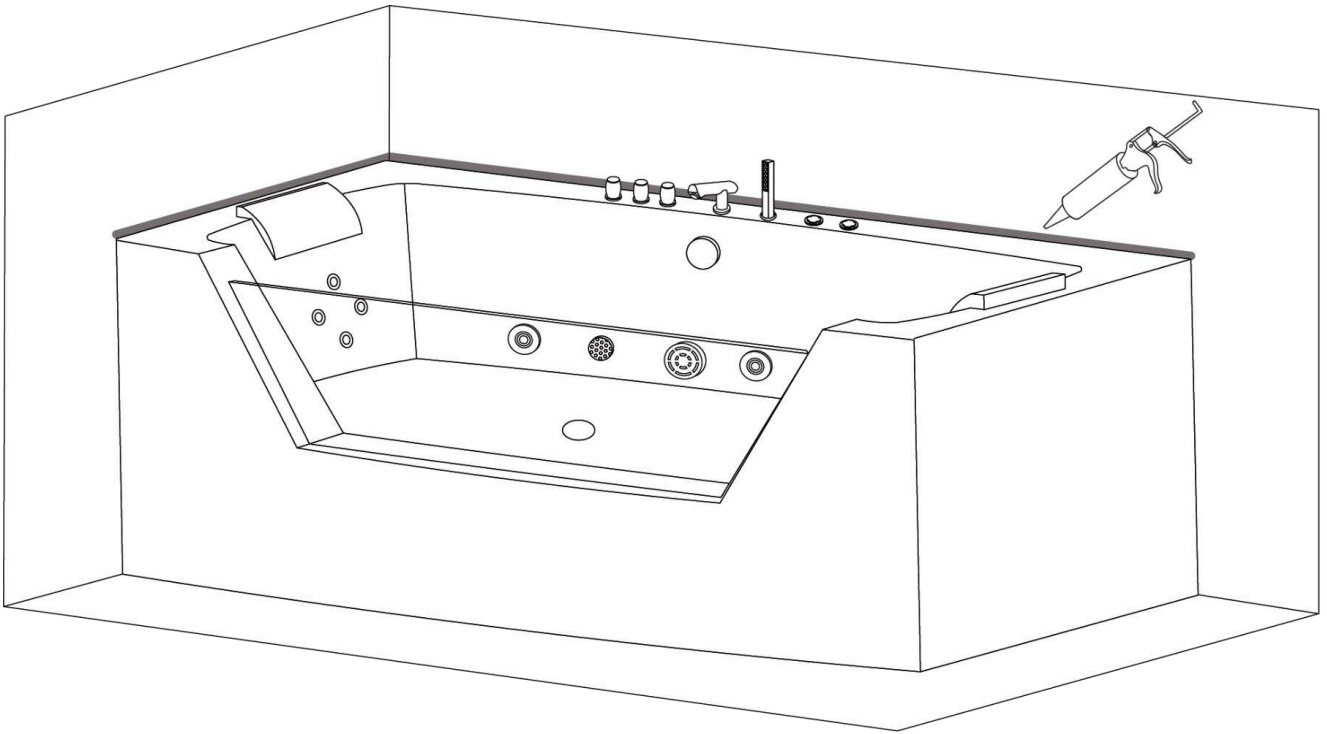


1. Studená voda
2. Teplá voda
3. Prepínanie medzi ručnou sprchou a kohútkom
4. Ručná sprcha
5. Vodovodný kohútik









Návod na použitie a obsluhu vane

1. Zapnite napájanie.
2. Zapnite bojler na studenú a teplú vodu a nastavte teplotu.
3. Pomocou ovládača napustite vaňu vodou z vodovodného kohútika alebo z ručnej sprchovej hlavice.
4. Vodné čerpadlo neaktivujte, kým hladina vody nedosiahne úroveň trysiek.
5. Pomocou regulátora vzduchu nastavte intenzitu masáže.
6. Otáčaním ručnej sprchovej hlavice nastavte masážne funkcie.
7. Svetlo sa automaticky zapne a zmení farbu pri zapnutí vodného čerpadla. Po vypnutí vodného čerpadla sa svetlo vypne.
8. Stlačením vzduchového spínača vypnite čerpadlo. Po použití vypustite vodu a napokon vypnite napájanie.

Riešenie problémov

Chyba	Možné príčiny	Vyskúšajte nasledovné
Vodné čerpadlo nefunguje	Napájací kábel nie je správne pripojený; ochrana proti úniku vody nie je pripojená	Pripojte napájací kábel a pripojte ochranu proti úniku vody
	Obežné koliesko vodného čerpadla je zablokované niečím malým	Vyčistite obežné koliesko vodného čerpadla
	Vodné čerpadlo je vypnuté	Zapnite vodné čerpadlo
	Napájací kábel nie je správne zasunutý	Správne zasunúť napájací kábel
	Poškodené vodné čerpadlo	Opravte alebo vymeňte vodné čerpadlo
Masážne trysky nefungujú	Problém s napätím	Skontrolujte napätie
	Tlačidlo Zap/Vyp nie je zapnuté alebo nefunguje	Skontrolujte tlačidlo alebo ho vymeňte
	Cirkulácia vody je zablokovávaná	Vyčistite vodovodné potrubie
Vaňa nie je v rovine	Nastaviteľné nožičky nie sú správne nastavené	Nastavte nožičky

Prepad vody	Prepadový odtok je poškodený	Vymeňte prepádový odtok
	Matice sú uvoľnené	Utiahnite matice
	Spojovacie diely nie sú správne pripojené	Skontrolujte príľnavosť spojovacích dielov

Čistenie

1. Na čistenie používajte mäkkú handričku, vyhnite sa použitiu silných čistiacich prostriedkov obsahujúcich acetón alebo amoniak. Je prísne zakázané dezinfikovať pomocou kyseliny mravčej alebo formaldehydu.
2. Ak je na povrchu škrabanec, jemne ho vyleštite mokrým brúsnym papierom so zrnitosťou 2000. Následne povrch preleštite pomocou zubnej pasty a mäkkej handričky.
3. Usadeniny vodného kameňa možno odstrániť pomocou octu alebo citrónovej šťavy.
4. Ak je cirkulácia vody zablokovaná, odskrutkujte trysky a trubice a vyčistite ich.
5. Pozlátené a postriebrené komponenty nie je potrebné často čistiť.
6. Do vane nebúchajte tvrdými predmetmi. Okrem toho sa vyhnite priamemu kontaktu vane s horúcimi predmetmi, ktorých teplota prekračuje 70 °C (napr. cigarety). Nečistite vaňu chemickými látkami obsahujúcimi bielidlo.
7. Po použití vypustite vodu a odpojte napájací kábel.
8. Čistenie systému vodnej masáže: Naplňte vaňu horúcou vodou s teplotou 40 °C a pridajte 2 g čistiaceho prostriedku na liter. Masážny systém nechajte spustený po dobu 5 minút. Potom ho zastavte a vypustite vodu. Následne napustite vaňu studenou vodou a aktivujte masážny systém na 3 minúty. Potom môžete vodu opäť vypustiť a vaše masážne trysky sú vyčistené.

Bezpečnostné opatrenia

1. Inštaláciu by mal vykonávať kvalifikovaný inštalatér. Prosím, postupujte podľa pokynov uvedených v návode.
2. Vhodné hadice by mali byť obstarané z miestnych zdrojov a pripojené odborníkom. V žiadnom prípade by sa nemali používať akékoľvek spojovacie hadice dodávané predajcom.
3. Všetky hadice musia byť pred použitím výrobku skontrolované a utesnené odborníkom a mali by sa pravidelne kontrolovať. Hadice sa môžu počas prepravy alebo časom odpojiť.
4. Pri inštalácii zariadenia sa zákazník musí uistiť, že predný panel je vždy ľahko prístupný pre účely údržby a v prípade potreby výmeny dielov.

5. Elektrické komponenty musia spĺňať národné bezpečnostné normy. Nainštalujte istič proti zemnému zvodu pre napájanie.
6. Nepoužívajte prehriatu vodu a trysky aktivujte, až keď je hladina vody nad nimi.
7. Zariadenie pracuje pri menovitom napätí 230 V. Po použití odpojte napájanie.
8. Odporúča sa nezdržiať sa vo vírivke dlhšie ako 30 minút.
9. Zariadenie príležitostne reštartujte.
10. Ak je napájací kábel poškodený, je potrebné ho okamžite vymeniť.
11. Dôkladne si prečítajte návod na použitie, aby ste predišli nehodám a iným poškodeniam.
12. Vaňu alebo vírivku pravidelne čistite a udržiavajte podľa pokynov výrobcu, aby ste predišli usádzaniu nečistôt a tvorbe baktérií a plesní.
13. V prípade závady je zákazník zodpovedný za demontáž chybného dielu a jeho opätovnú montáž.

Všeobecné informácie o funkčnosti a používaní

Po každom kúpeli vypustite vodu. Nikdy nenechávajte deti vo vani bez dozoru.

Pokyny na údržbu vírivky

Povrch sa ľahko čistí a udržiava. Hladký povrch takmer vôbec nepritahuje nečistoty. Pravidelná údržba: špongia, mäkká handrička a antistatický čistiaci prostriedok. Týmto spôsobom si vaňa zachová lesk a stane sa odolnou voči nečistotám. Vyhnite sa používaniu abrazívnych čistiacich prostriedkov alebo čistiacich prostriedkov na báze rozpúšťadiel, ktoré by mohli poškodiť povrch vane. V prípade odolnej nečistoty použite tekutý čistiaci prostriedok, napríklad prostriedok na umývanie riadu alebo mydlový roztok (dodržiavajte pokyny na riedenie). Škrvny od vodného kameňa odstráňte prostriedkom na odstraňovanie vodného kameňa. Vždy dôkladne opláchnite veľkým množstvom čistej vody a vyleštite handričkou. Nepoužívajte čistiace prostriedky s kyslou zložkou alebo čistiace prostriedky na báze octu.

Poškodenie

Poškriabané povrchy by mal ošetriť odborník. Ošetríte ich leštiacou pastou bez rozpúšťadiel. V prípade potreby možno povrch pred leštením najprv ošetriť mokrým brúsny papierom (číslo 800, následne číslom 1200). Nepoužívajte žiadne rozpúšťadlá na báze alkoholu alebo acetónu. Naša záruka sa nevzťahuje na poškodenia spôsobené nesprávnym zaobchádzaním zo strany používateľa.



Pozor! Mokrý povrch predstavuje zvýšené riziko pošmyknutia. To platí najmä pri používaní mydiel, šampónov, olejov do kúpeľa a podobne.

Zmena vyhradená

Spoločnosť Beliani si vyhradzuje právo na zmeny alebo úpravy výrobku bez predchádzajúceho upozornenia.

Dovozca:

Beliani GmbH, Haldenstrasse 5, 6340 Baar, Švajčiarsko

Vyhlásenie o výkone

1. Jedinečný identifikátor typu produktu: Číslo produktu v spodnej časti stránky
2. Účel použitia: vírivé vane na domáce použitie na osobnú hygienu (PH)
3. Dovožca:
Beliani GmbH
Haldenstrasse 5
6340 Baar
Švajčiarsko
Telefón: +41 43 5082233
4. Oprávnený zástupca: %
5. Systém hodnotenia a overovania stálosti výkonu: Systém 4
 - a. Harmonizovaná norma: EN 12764:2015
Notifikovaný orgán: %
 - b. Európsky hodnotiaci dokument: %
Európske technické posúdenie: %
Orgán technického posudzovania: %
Notifikovaný orgán: %
6. Deklarované výkony:
Základné charakteristiky: Harmonizovaná technická špecifikácia
Bezpečnosť proti
Zamotanie vlasov (HE) Vyhovuje EN 12764:2004+A1:2008
Čistiteľnosť (CA) Vyhovuje EN 12764:2004+A1:2008
Odolnosť (DA) Vyhovuje EN 12764:2004+A1:2008
7. Príslušná technická dokumentácia alebo špecifická technická dokumentácia:
Správa č.: 50074404 001 TÜV Rheinland

Výkon vyššie uvedeného výrobku zodpovedá deklarovanej parametrom.

Dovožca uvedený vyššie je výhradne zodpovedný za prípravu deklarácie o výkone v súlade s nariadením (EÚ) č. 305/2011.

Príloha

Číslo produktu	Názov produktu	Výstupný výkon
1213 MONTEGO	Vírivá vaňa s masážnou funkciou	HE + CA + DA
1218 SAMANA	Vírivá vaňa s masážnou funkciou	HE + CA + DA
1219 MARTINICA	Vírivá vaňa s masážnou funkciou	HE + CA + DA
15497 TOCOA	Vírivá vaňa s masážnou funkciou	HE + CA + DA
13720 SALAMANCA	Vírivá vaňa s masážnou funkciou	HE + CA + DA
14894 MONTEGO	Vírivá vaňa s masážnou funkciou	HE + CA + DA
1216 PARADISO	Vírivá vaňa s masážnou funkciou	HE + CA + DA
1217 PARADISO	Vírivá vaňa s masážnou funkciou	HE + CA + DA
1223 VARADERO	Vírivá vaňa s masážnou funkciou	HE + CA + DA
14892 PARADISO	Vírivá vaňa s masážnou funkciou	HE + CA + DA

Podpísané za dovozcu a v mene výrobcu:
Michael Widmer, výkonný riaditeľ



6340 Baar 13. 05. 2020